

# MODULARO™

## WOODEN SHED MIKKELI

2,41x1,84x2,33M

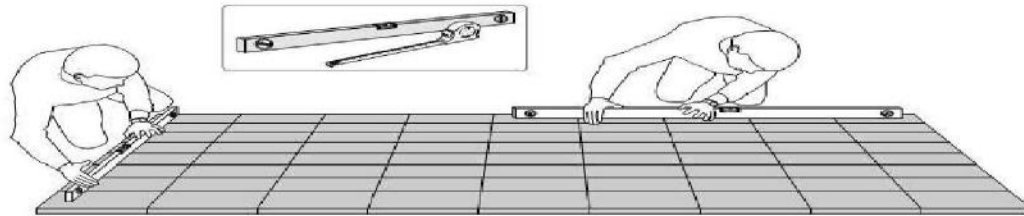


# Wooden Shed Mikkeli

Assembly instruction

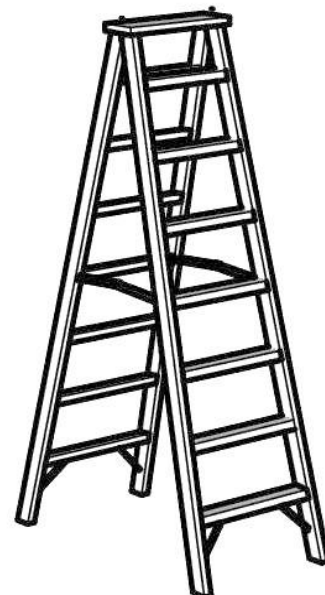
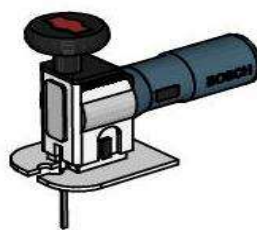
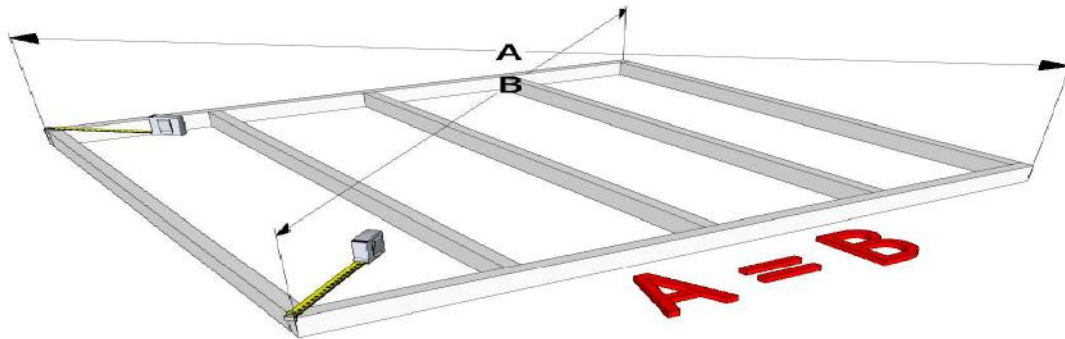
**Important !**

**Wichtig !**



**Important !**

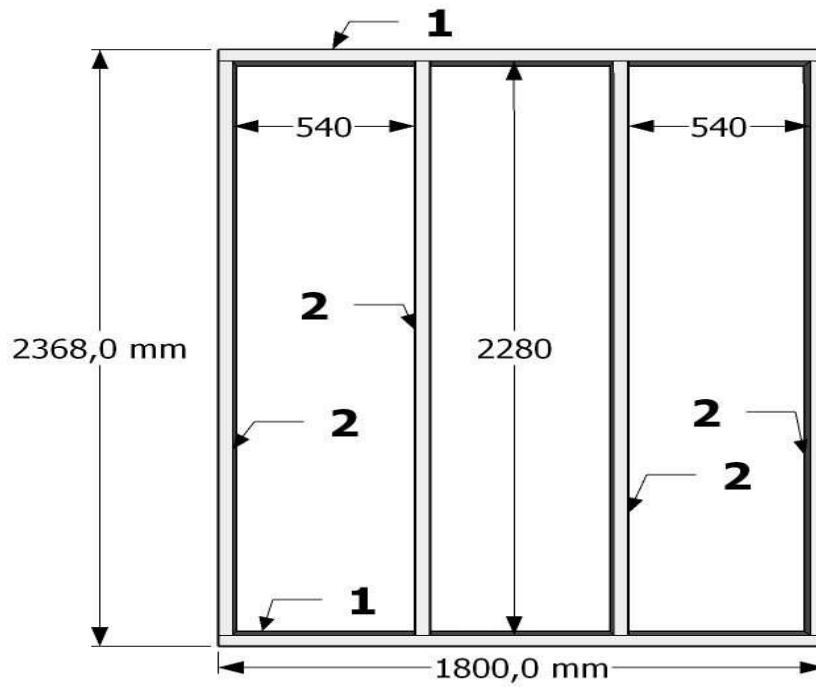
**Wichtig !**



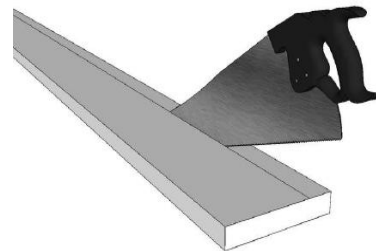
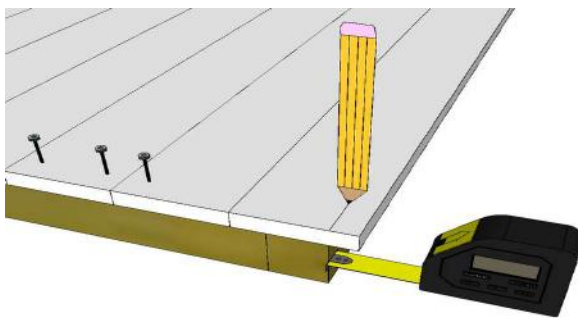
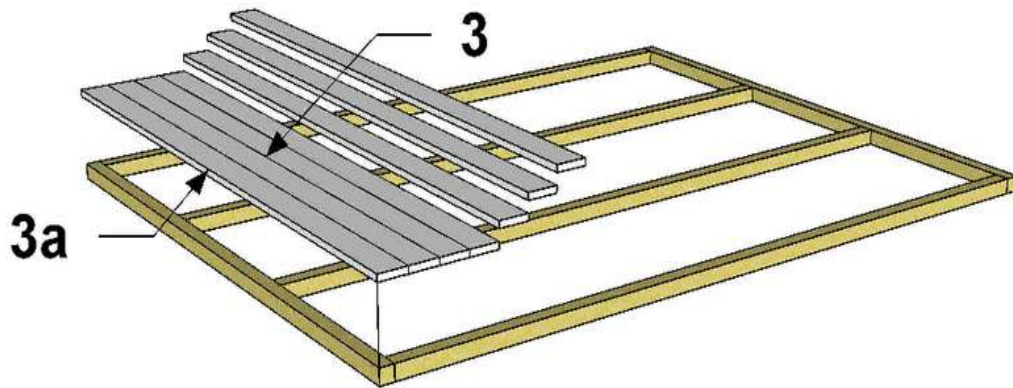
# Wooden Shed Mikkeli

## Assembly instruction

1/8



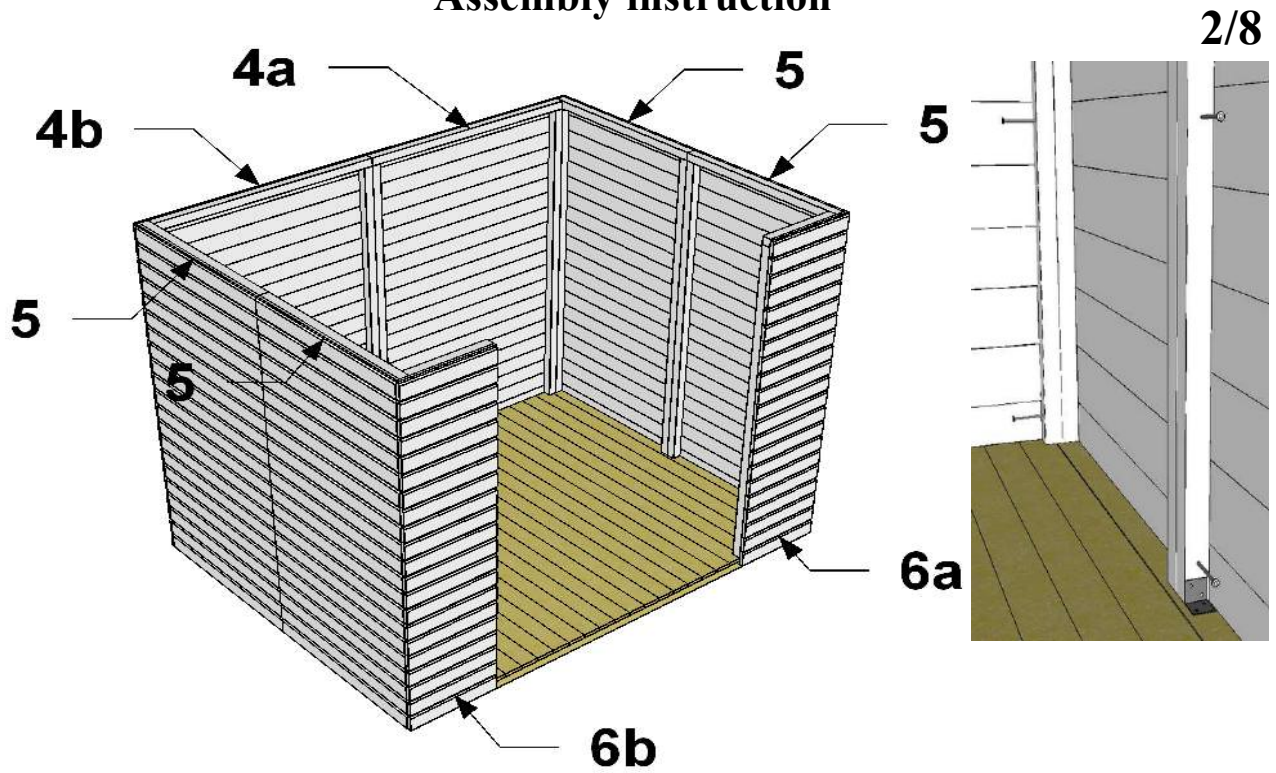
<b>1</b>	+	<b>2</b>	<b>4,5 x 80</b>	<b>8</b>
----------	---	----------	-----------------	----------



<b>3a</b>	+	<b>3</b>	<b>2 x 50</b>	<b>116</b>
-----------	---	----------	---------------	------------

# Wooden Shed Mikkeli

## Assembly instruction

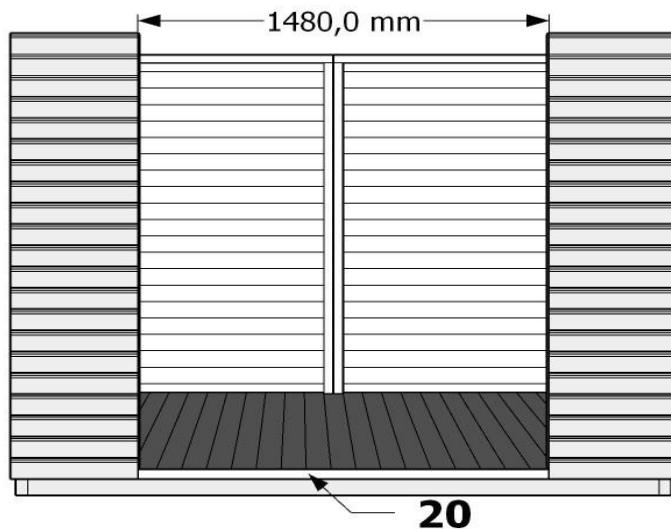


5	+	4a	+	4b	+	5
5	+	6b	+	5	+	6a

4,5 x 80	28
----------	----

5	5	4a	4b	5	5
		6a	6b	+	base

40 x 40 x 40	5
3,5 x 40	30



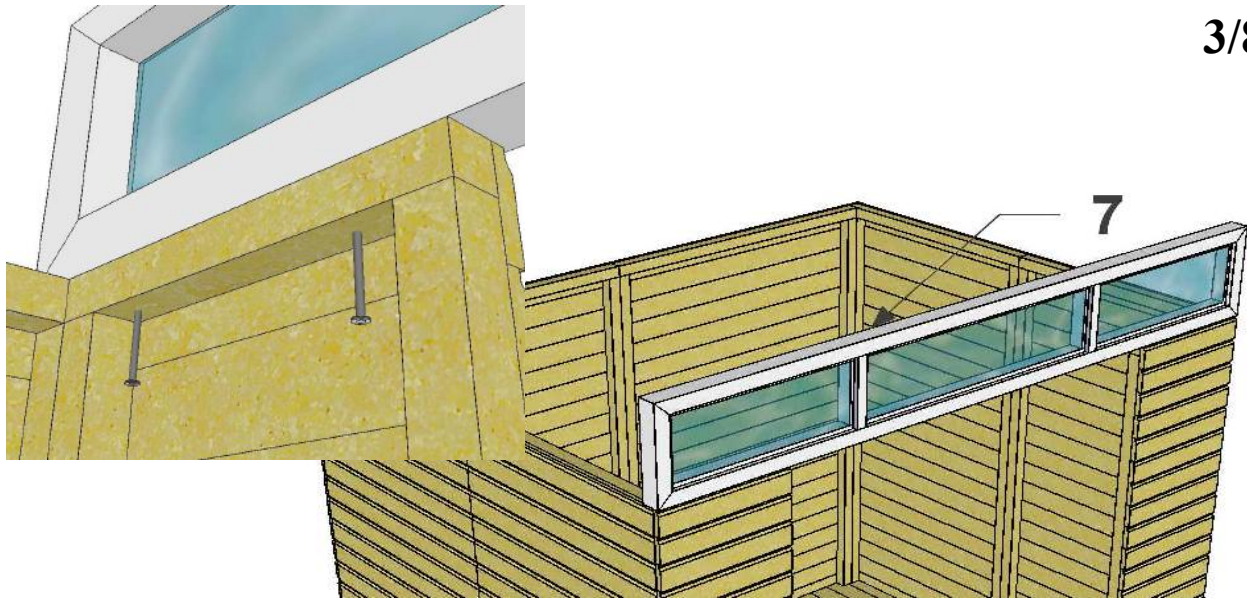
20	+	base
----	---	------

3,5 x 40	3
----------	---

# Wooden Shed Mikkeli

## Assembly instruction

3/8

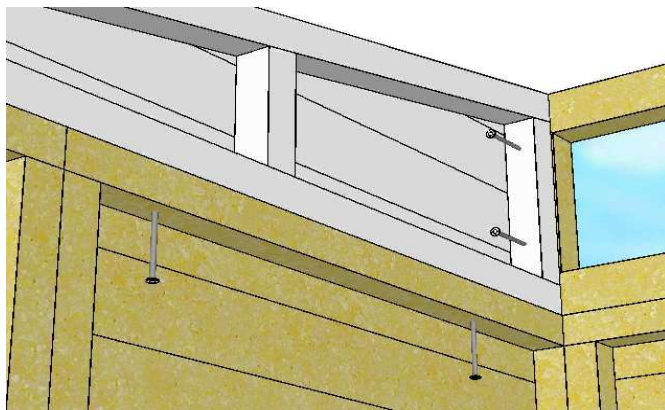


+

7

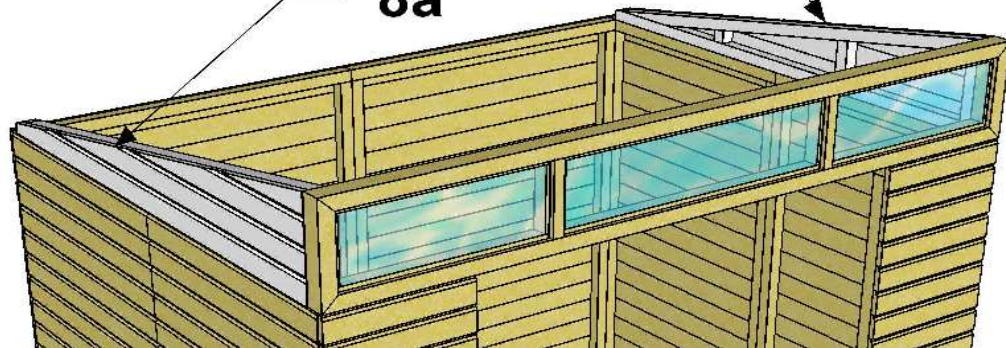
4,5 x 80

4



8a

8b



8a

+

8b

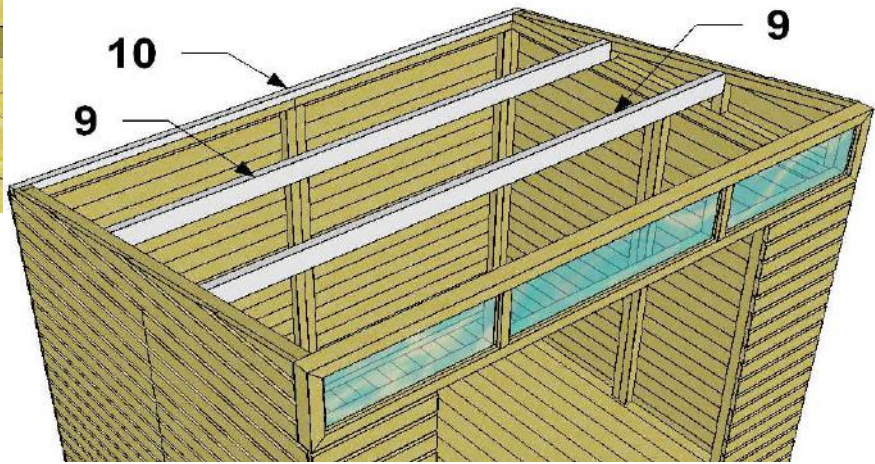
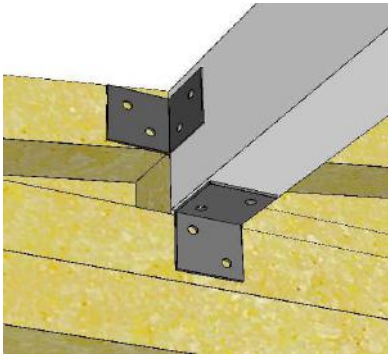
4,5 x 80

12

# Wooden Shed Mikkeli

## Assembly instruction

4/8

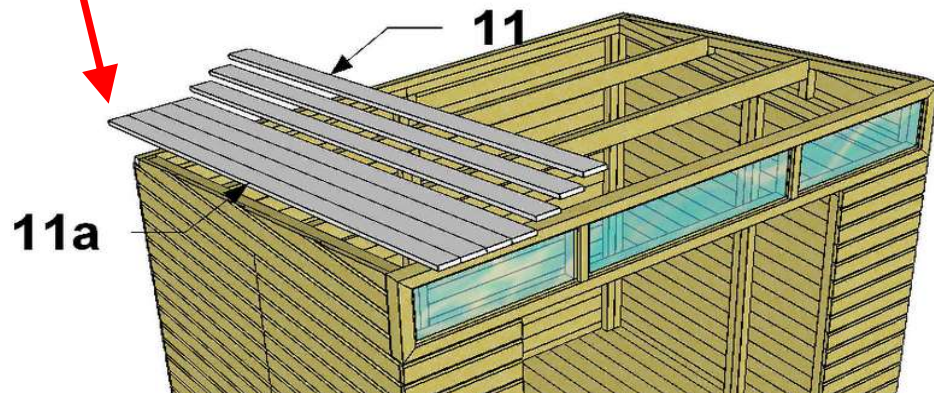
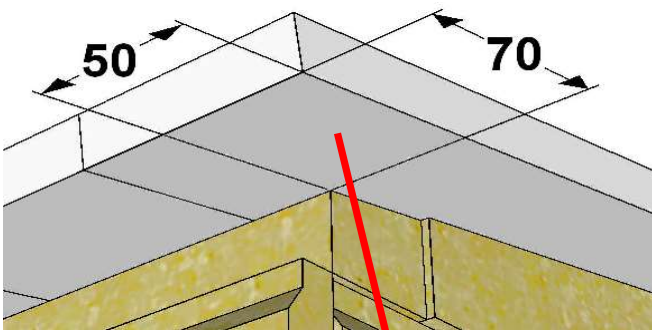


+ **9**

<b>40 x 40 x 40</b>	<b>8</b>
<b>3,5 x 40</b>	<b>48</b>

+ **10**

<b>4 x 70</b>	<b>6</b>
---------------	----------



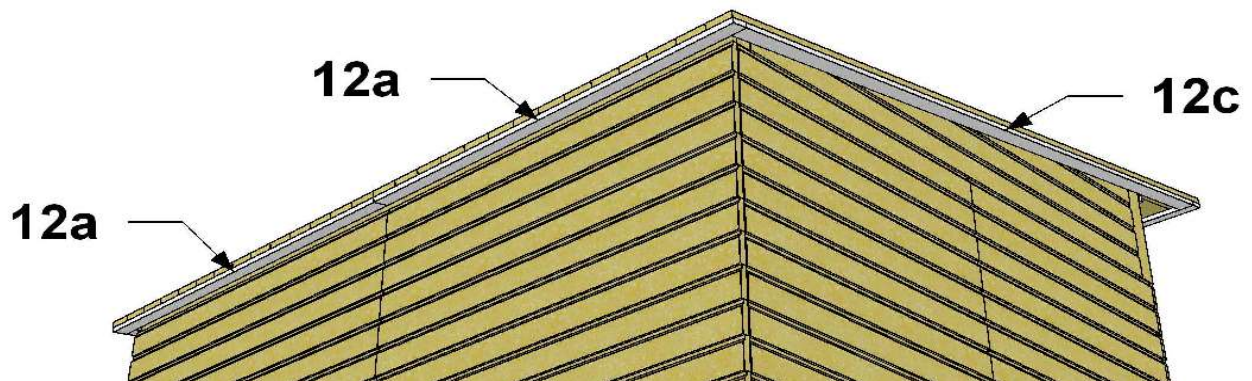
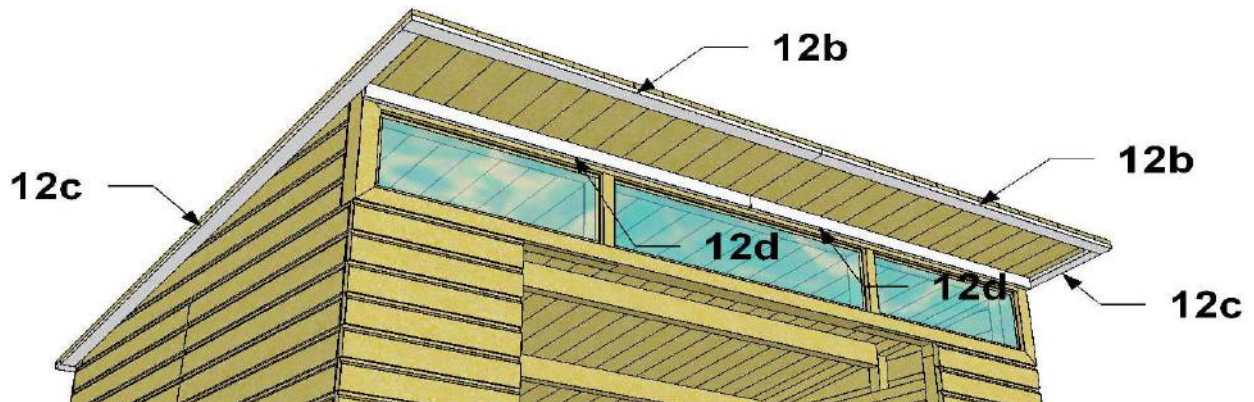
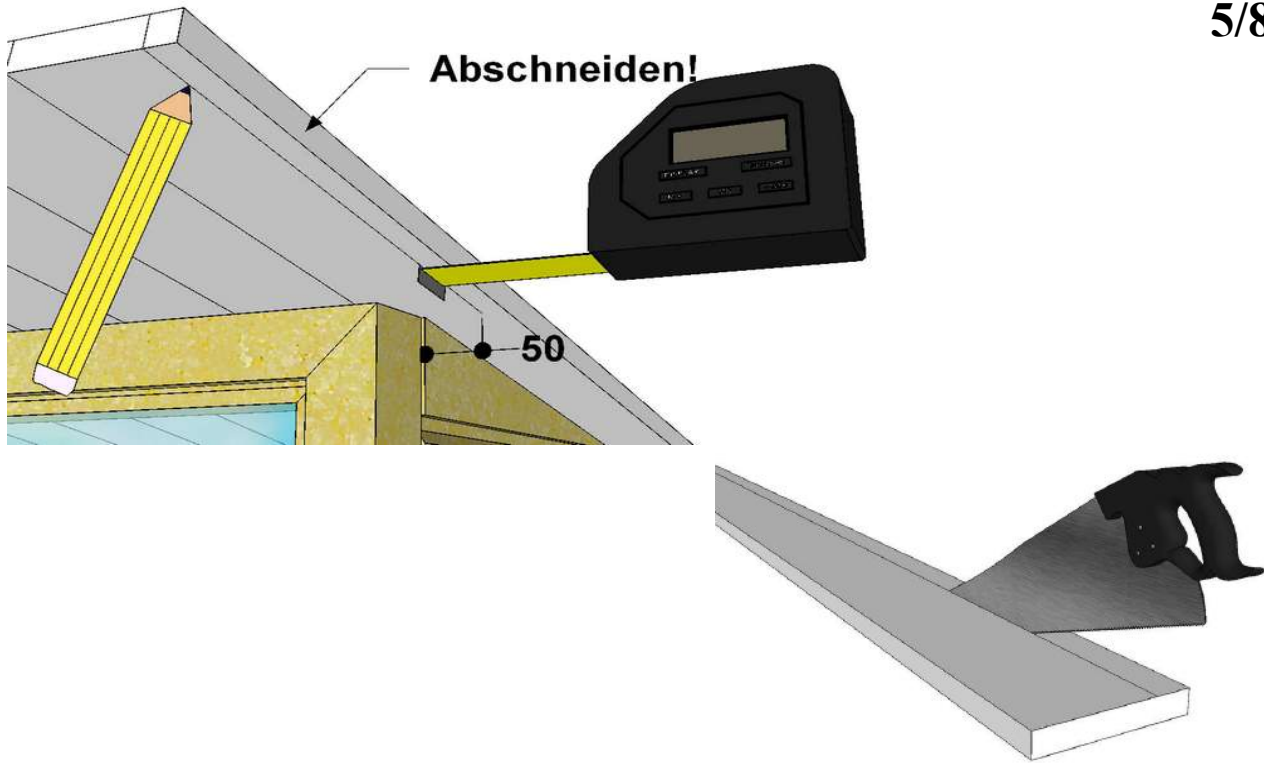
**11a** + **11** + **11b**

<b>2 x 50</b>	<b>120</b>
---------------	------------

# Wooden Shed Mikkeli

## Assembly instruction

5/8

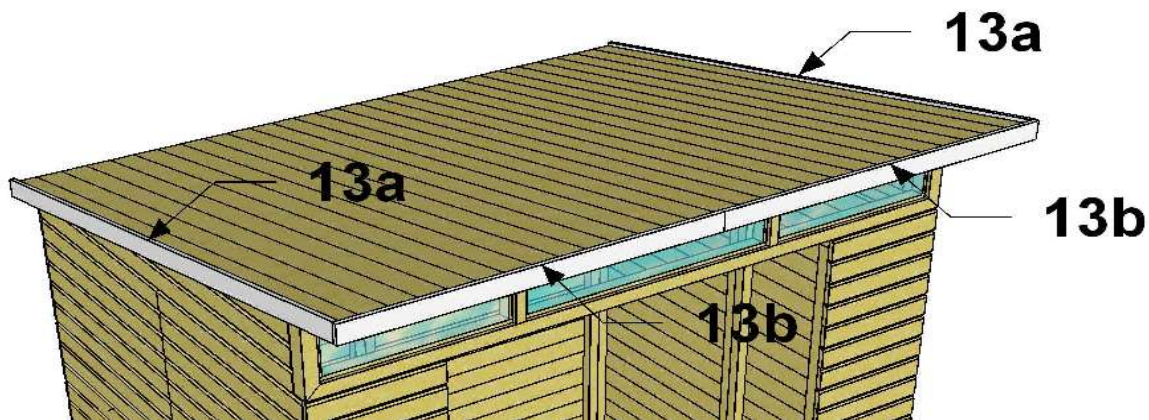


12a	+	12b	+	12c	+	12d	3,5 x 35	36
-----	---	-----	---	-----	---	-----	----------	----

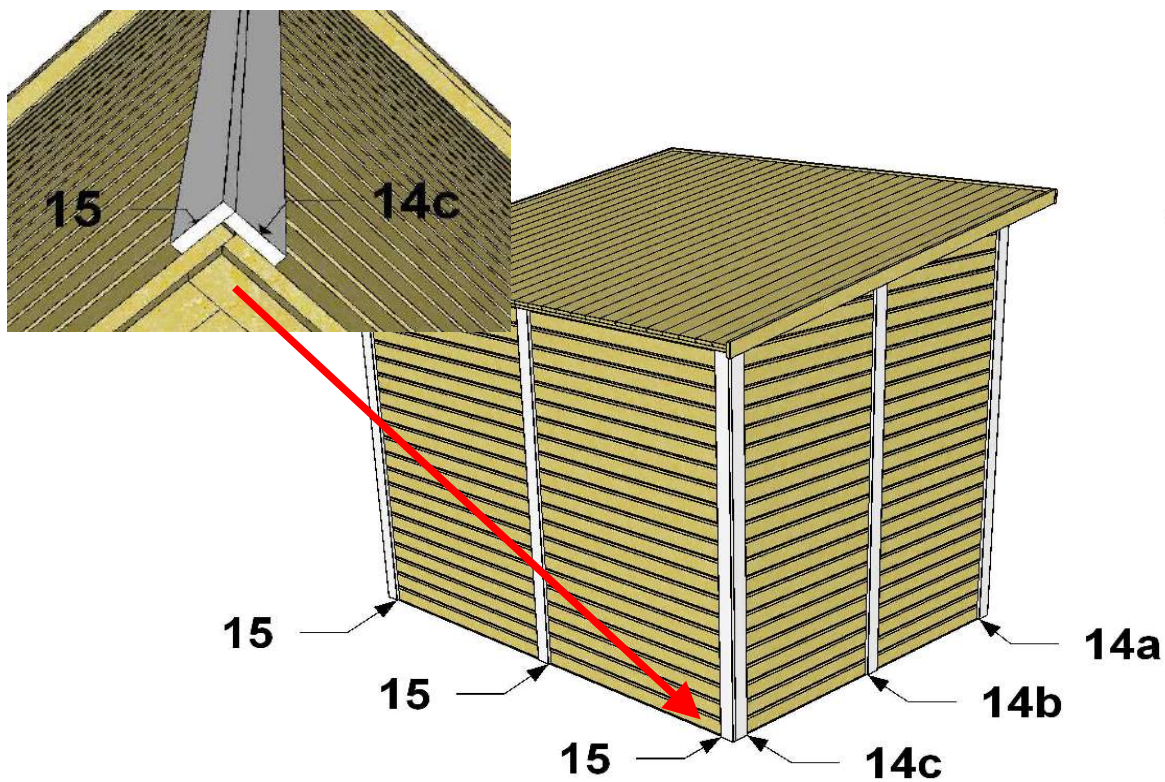
# Wooden Shed Mikkeli

## Assembly instruction

6/8



13b	+	13a	3,5 x 40	16
-----	---	-----	----------	----



14a	+	14b	+	14c	+	15	3,5 x 40	31
-----	---	-----	---	-----	---	----	----------	----



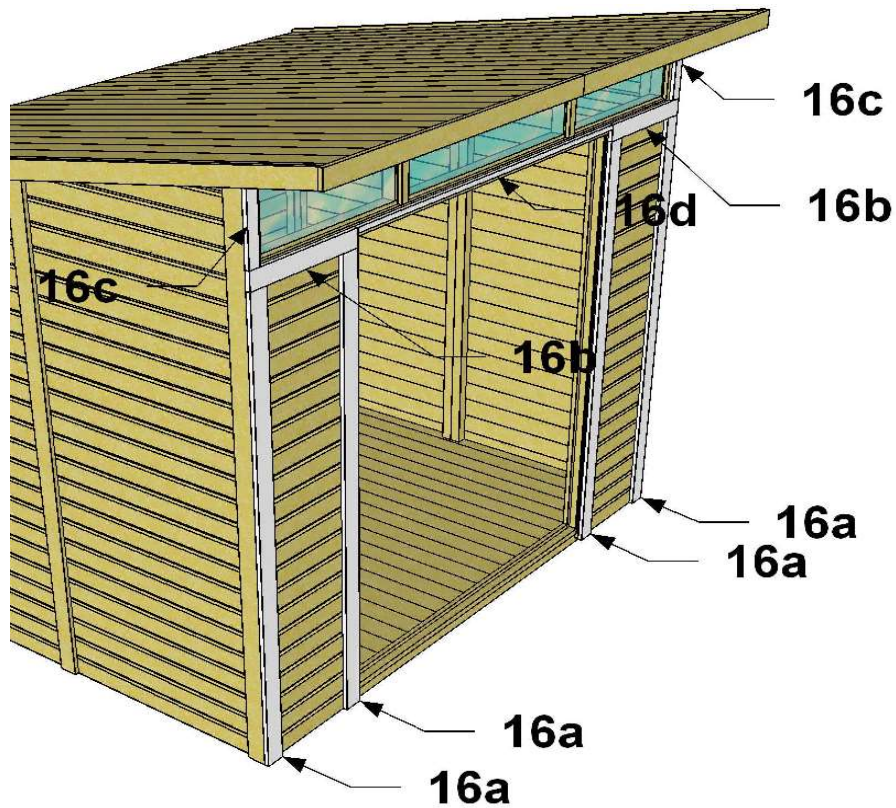
# Wooden Shed Mikkeli

## Assembly instruction

7/8



18/1	+	18/1	4 x 60	12
------	---	------	--------	----

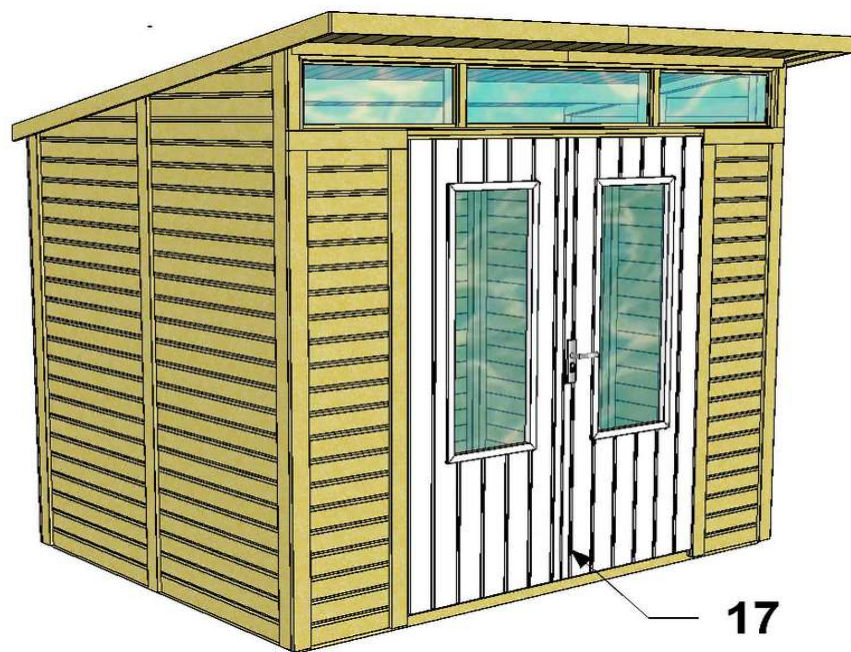


16a	+	16b	+	16c	+	16d	3,5 x 40	32
-----	---	-----	---	-----	---	-----	----------	----

# Wooden Shed Mikkeli

## Assembly instruction

8/8



For fixing retainer

Zur Bestätigung der Raste

**3,5 x 40**

**4**

## Contact information

Austria



Belgium



Croatia



Denmark



Estonia



Finland



France



Germany



Ireland



Italy



Latvia



Lithuania



Nederland



Norway



Poland



Portugal



Spain



Sweden



Switzerland



UK

