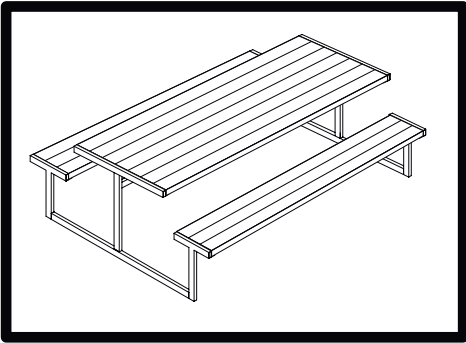


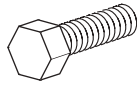
DANCOVER[®]

.com

Manual
for
Picnic table,
1.85 x 1.8 m

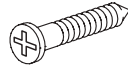


A



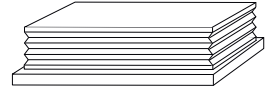
x4

B



x52

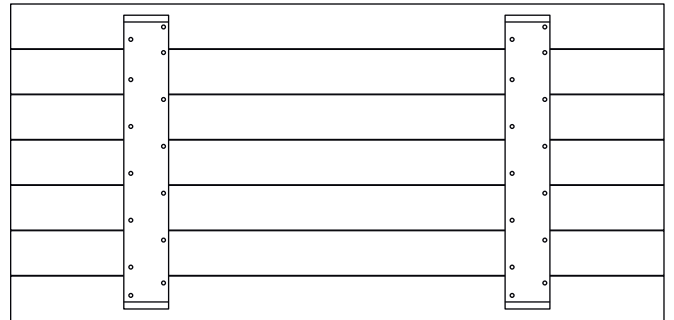
C



x16



x2



x1

