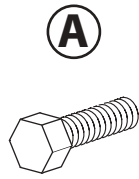
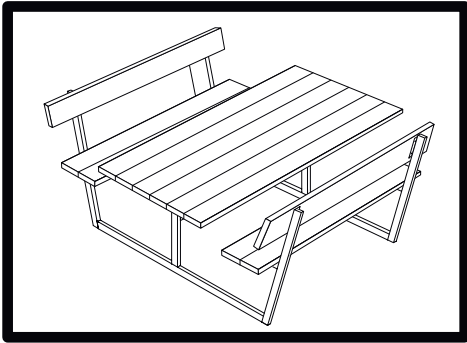


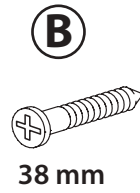
DANCOVER[®]

.com

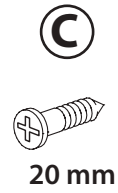
Manual
for
Picnic Table w/Backrest
1,8x1,75m



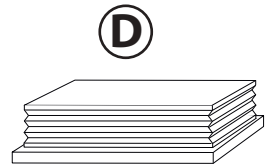
x4



x100

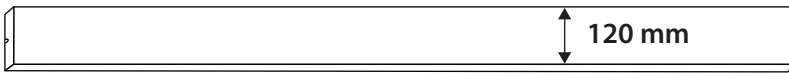


x16



x12

(E)

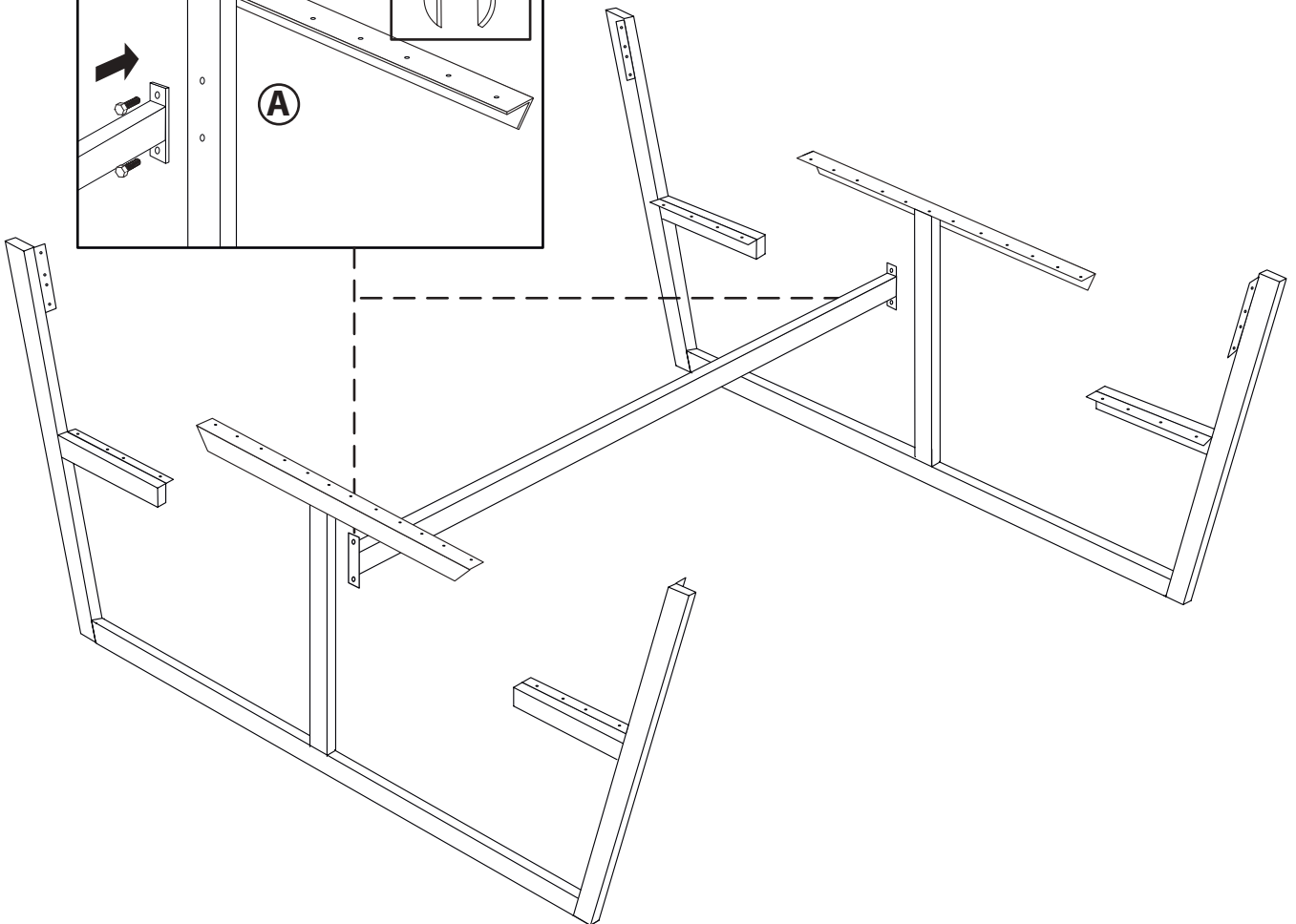
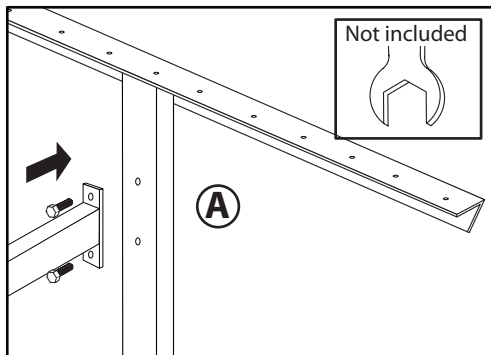
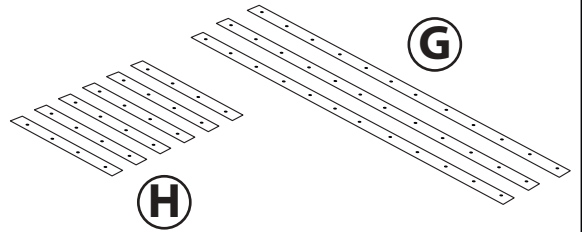


x10

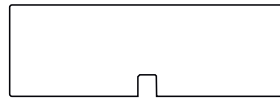
(F)



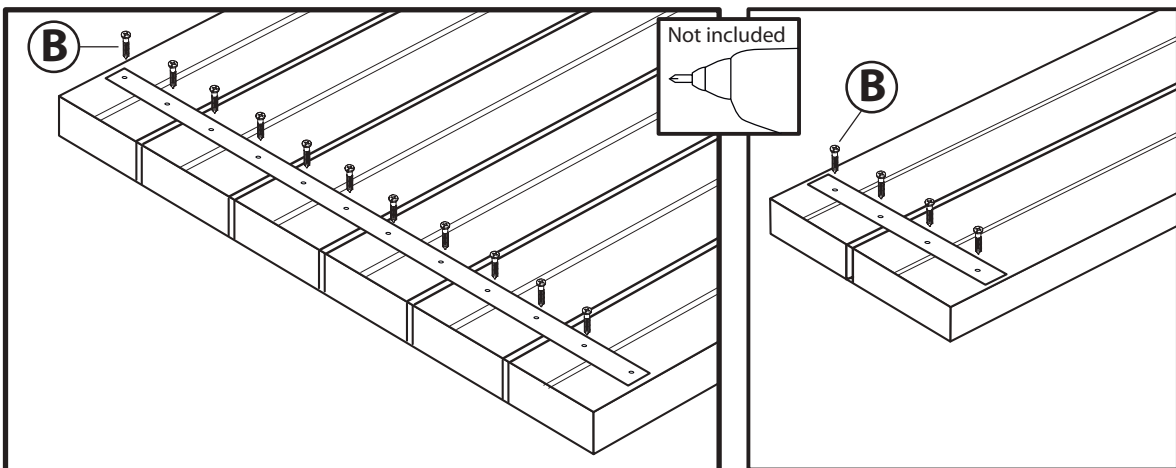
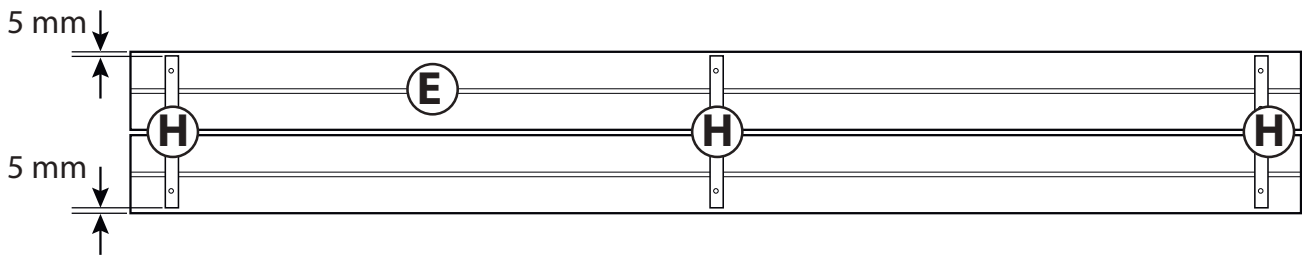
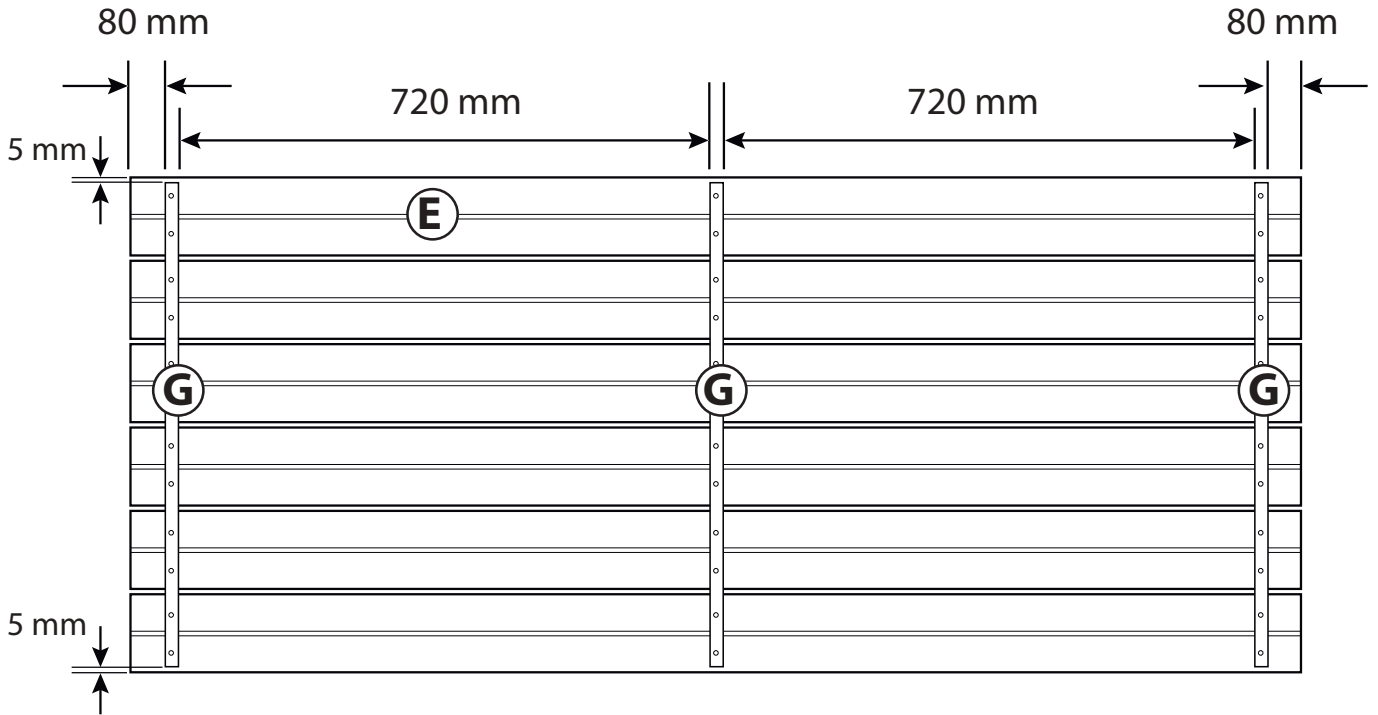
x2

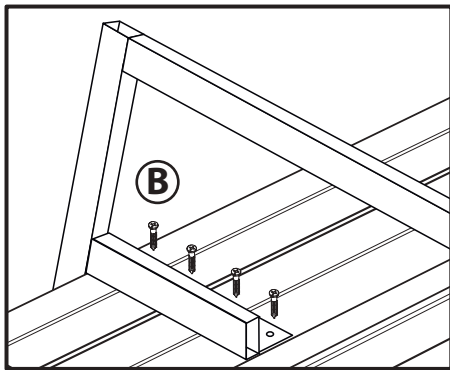


UPSIDE

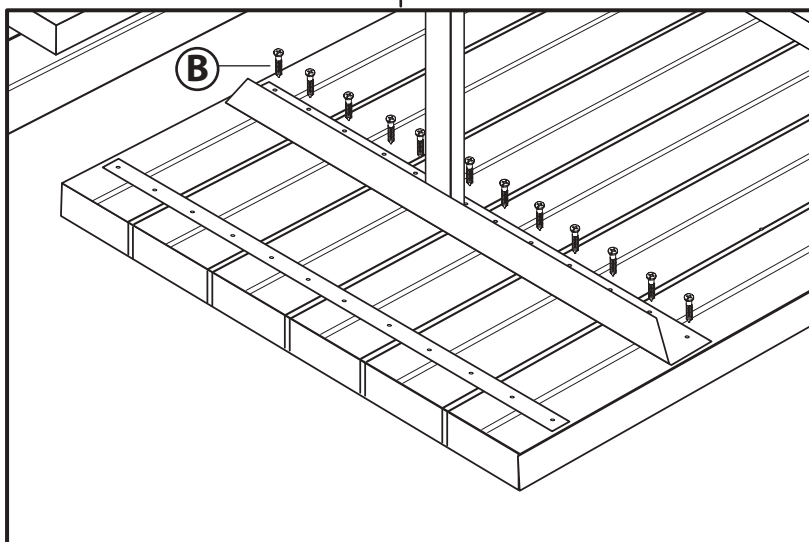
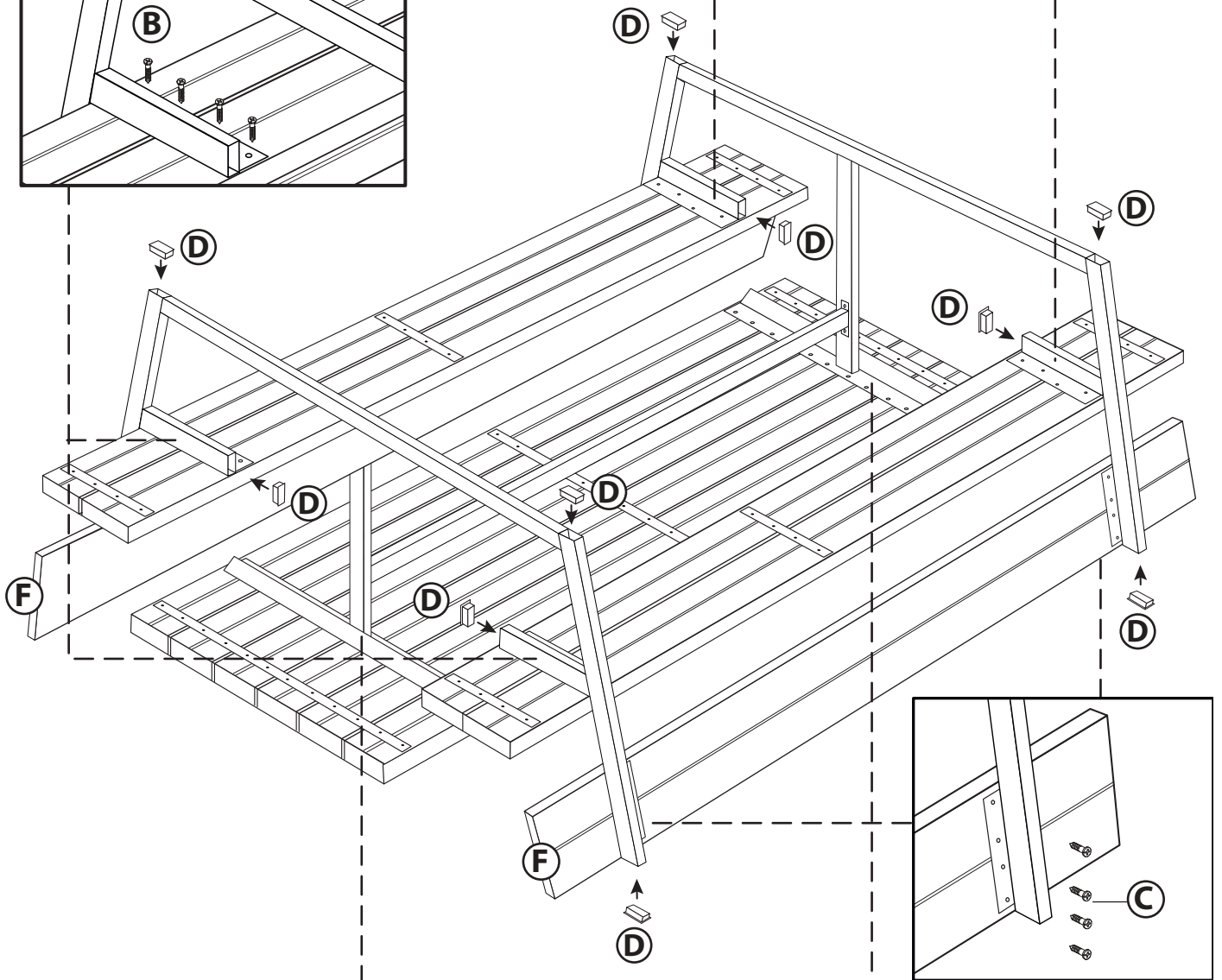


DOWNSIDE





Not included



Not included

Contact information

Austria



Belgium



Croatia



Denmark



Estonia



Finland



France



Germany



Ireland



Italy



Latvia



Lithuania



Nederland



Norway



Poland



Portugal



Spain



Sweden



Switzerland



UK

