

Inneholdsfortegnelse

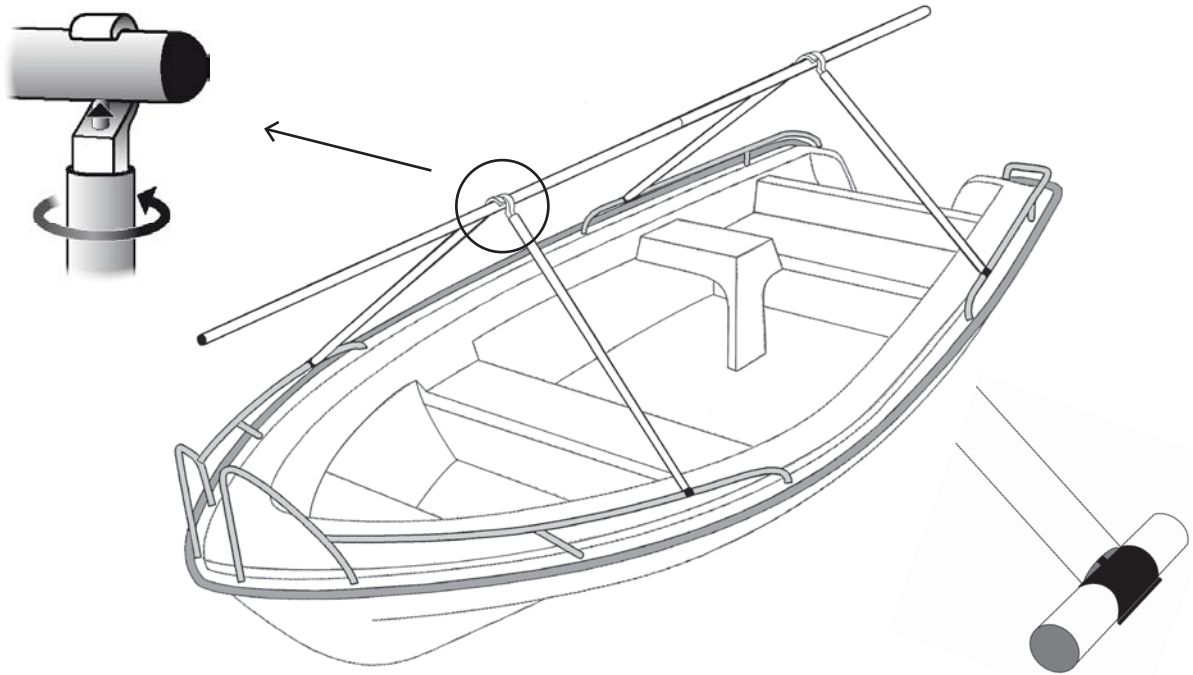
NoTool Economy

	S 4 m	M 5 m	L 6 m
Lintels Pipes 2 m		1	1
Lintels Pipes 2 m (with end cap)	2	1	2
Lintels Pipes 1 m (with end cap)		1	
Quantity of leg pairs	2	2	2
Economy legs S 1,1 m	4		
Economy legs M 1,25 m		4	
Economy legs L 1,5 m			4
Straps 5 m	4	4	4



Assembly Description

NoTool Economy



1. Assemble two lintels pipes. See the instructions on the lintels pipe. Be careful to assemble the lintels pipe with the mark on interconnecting lock. Attention! Two of the lintels pipes have plastic end cap, they should be in front and back.

2. Assemble some of the legs against the lintels pipe. Rotate the pipe to the hook locks the pipe.

3. Assemble the remaining lintels pipes and legs.

4. Fix the position of the boat with the help of straps. The included straps must be attached diagonally from lintels pipe to appropriate attachment points on the boat. Carefully tighten the straps so hard that the position can not be moved and cause damage.

5. Choose a tarpaulin of good quality that can withstand ice, snow and the pressure of a hard winter. From the ground will it always raise moisture, which will set on the inside of the tarpaulin. Therefore it is very important with ventilation with opening in front and rear.

6. Check out the tarpaulin so there are no holes that water can leak into. Check if the framework provides good ventilation and access.

7. Careful check your boat before and after storms or after heavy precipitation of snow. Your frame will be intact, but another's might have flown on an errand. Visit your boat on a regular basis!

