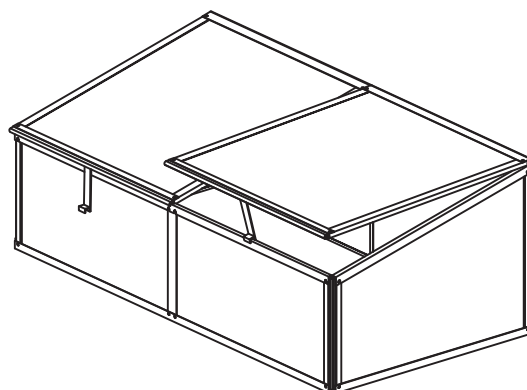


DANCOVER[®]





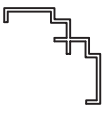










.com

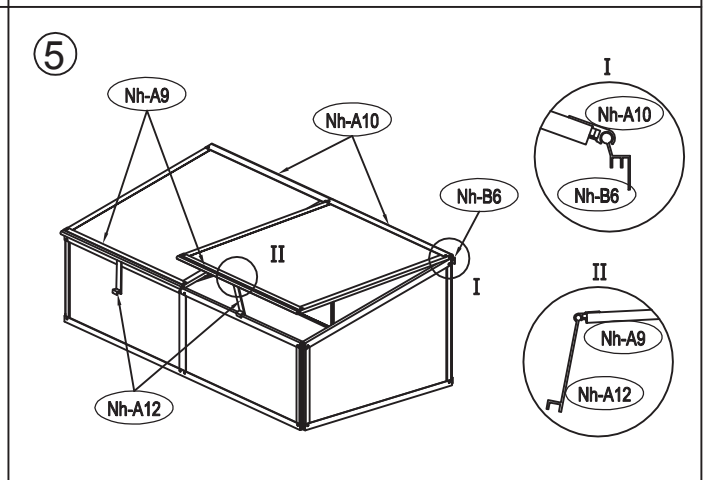
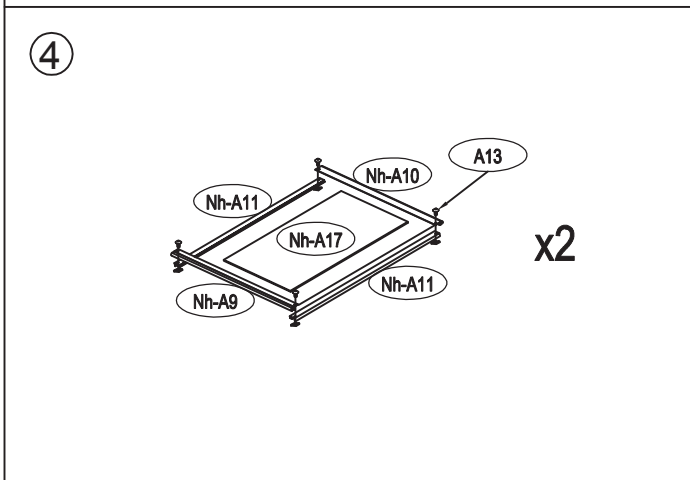
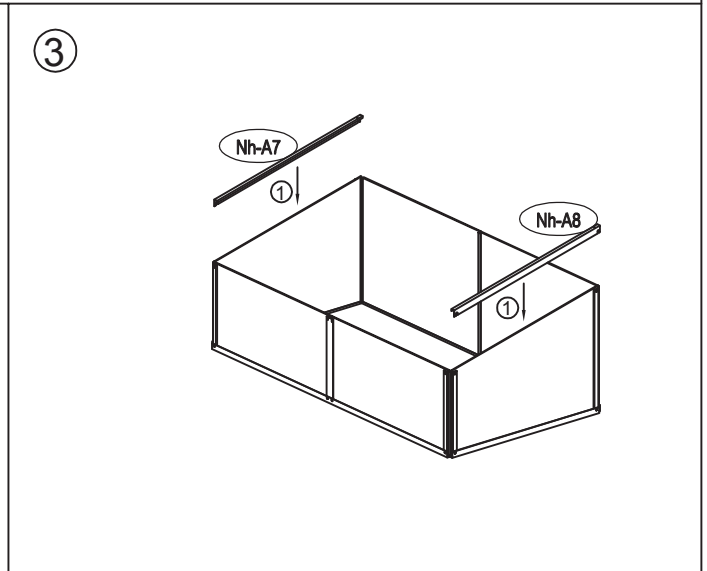
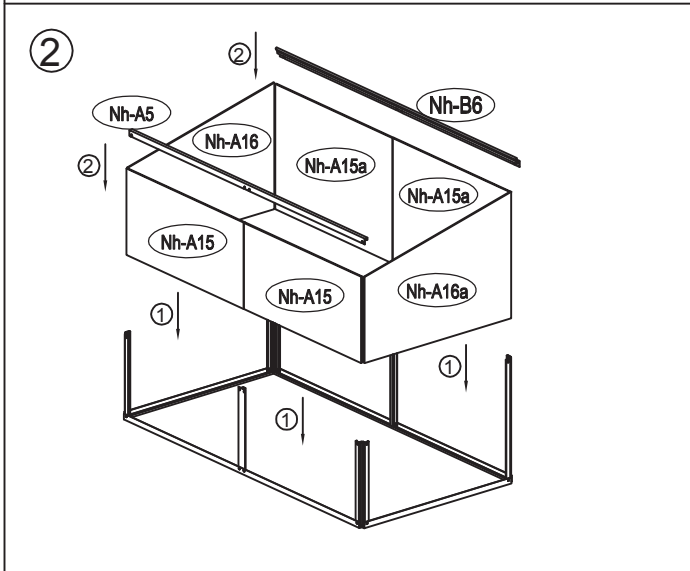
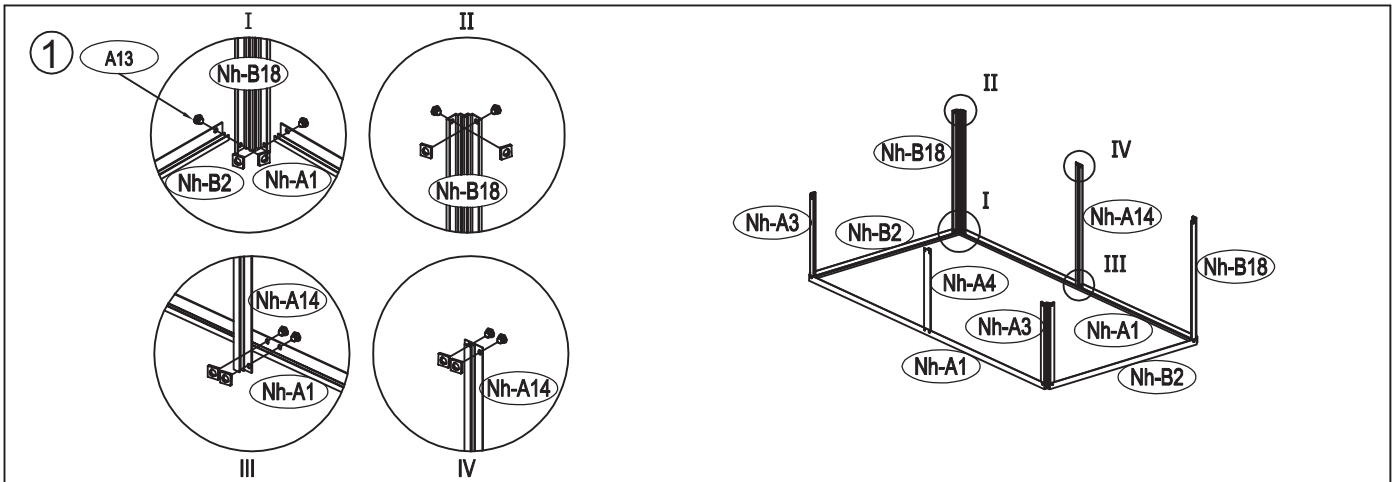
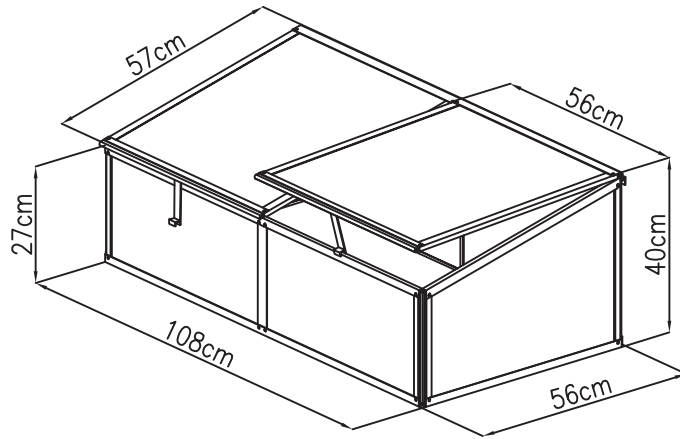
Manual
for
Mini Greenhouse
1,08x0,56x0,40m

DOUBLE COLD FRAME



Assemble instructions

Nh-A1		1058mm	x2		Nh-A10		540mm	x2
Nh-B2		538mm	x2		Nh-A11		545mm	x4
Nh-A5		1058mm	x1		Nh-A12		20mm	x2
Nh-A3		255mm	x2		A13		M5x6	x32
Nh-B18		375mm	x2		Nh-A15		527x264 mm	x2
Nh-A4		255mm	x1		Nh-A15a		527x384 mm	x2
Nh-A14		375mm	x1		Nh-A16		536x387 mm	x1
Nh-B6		1078mm	x1		Nh-A16a		536x387 mm	x1
Nh-A7		552mm	x1		Nh-A17		510x552 mm	x2
Nh-A8		552mm	x1					
Nh-A9		540mm	x2					



DANCOVER[®]

.com

Contact information

Head office:

Dancover A/S
Nordre Strandvej 119 G
3150 Hellebæk
Denmark

For more information
please visit:
www.dancovershop.com

National contact

Denmark: 70 26 76 20
denmark@dancover.com

UK: 020 8099 7570
uk@dancover.com

Germany: 041 0266 7040
germany@dancover.com

France: 0975 181 800
france@dancover.com

Sweden: 040 233 262
sverige@dancover.com

Finland: 0 931 581 720
suomi@dancover.com

Poland: 22 300 8602
polska@dancover.com

Luxembourg: +49 041 0266 7040
luxembourg@dancover.com

Portugal: 308 800 899
portugal@dancover.com

Spain: 911 436 828
espana@dancover.com

Italy: 02 479 21 198
italia@dancover.com

Switzerland: 0840 000125
schweiz@dancover.com

Austria: 0662 626935
austria@dancover.com

Norway: 231 00 690
norge@dancover.com

Nederland: 0 858 880 524
nederland@dancover.com

Ireland: 0 151 33 003
ireland@dancover.com

Belgium: 0 28 08 08 09
belgique@dancover.com