

**DANCOVER<sup>®</sup>**

**.com**

**Storage tent Arched**  
**9,15x20x4,5m PVC**

# DANCOVER<sup>®</sup>

.com

## Safety Advice

### Attention

In some countries approval is needed to set up a tent larger than 75 m<sup>2</sup>.

The owner of the tent has the sole responsibility to make sure that these local rules are followed and that the mounting is correct.

In case of bad weather conditions, it is your responsibility to ensure that people inside are safe and that the tent does not cause damage to others.

Do not use open fire, welding equipment or other ignition sources in the tent. Though the fabric is made of flame retardant material it can still burn.

It is always recommended that you secure your tent properly with safety straps and augers when you put up the structure.

We recommend you to insure the tent, or check if it is covered by home contents insurance, in case of unplanned events, accidents or bad weather.

Tents are meant as temporary shelter and must be evacuated under extreme weather conditions.






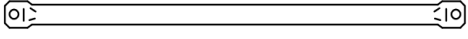


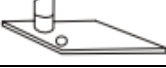
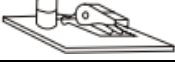

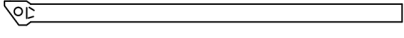
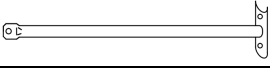
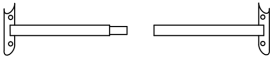

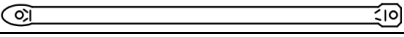

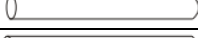
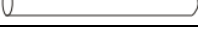
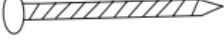





This structure is not tested for specific snow and wind loads. That's why we always recommend to remove snow from the top.

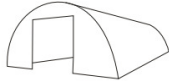
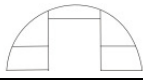




# **Assembly Illustration**

For “user friendly” assembly we have identified each individual component with our partcode number as indicated in the part list.

Please refer to the part code number and drawings to ensure problem free assembly.

## PART LIST

Part Code	Description	Qty	Illustration	Box
1	Top roof curved tube	11		B
2	Roof curved tube	18		B
2A	Roof curved tube at front and rear	4		B
3	Sidewall tube	18		B
3A	Sidewall tube at front and rear	4		B
4	Roof purlin an horizontal tube	50		A
5L	Base flange in corner	2		B
5R	Base flange in corner	2		B
6	Base flange for standing legs in front and back panel	4		B
7	Base flange for sidewall	18		B
8	lower standing leg in front and rear panel	4		A
9	Upper standing leg in front and rear panel	4		A
10	Side beam for front and rear	4		A
11	Beam for front door	4		A
12	Bottom tensioning tube of front and rear cover	4		A
13	Standing support tube	4		A
13A	Tube slip for standing support tube	8		B
14	Tensioning tube for lower roof cover	2sets		A
15	Door dropping tube at the bottom	2set		A
16	Stake peg	74		B
17	Bolt M10X80	55		B
18	Bolt M8X70	150		B
19	Bolt M10X30	16		B
20	Bolt M8X65	8		B
21	Tie down ratchet (install on base plate)	22		B

22	Roof cover	1		A
23	Front and back cover	2		A
24	Lace rope for roof cover front cover rear cover	1roll		B
25	Nylon tensioning band for tie down ratchet	22		B
26	Plastic cap for tensioning tube	12		B
27	φ 40 Plastic cap for P15	4		B

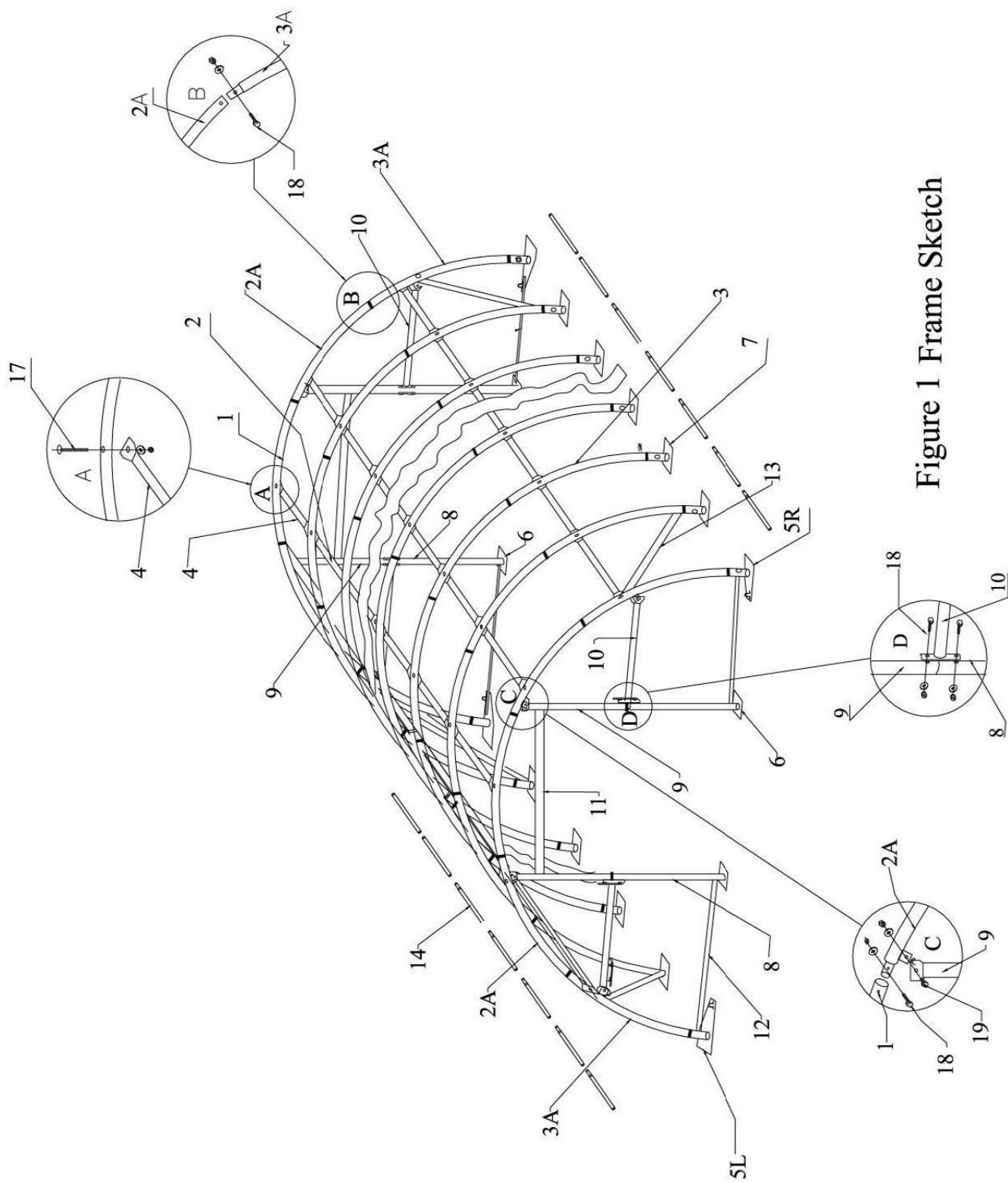


Figure 1 Frame Sketch

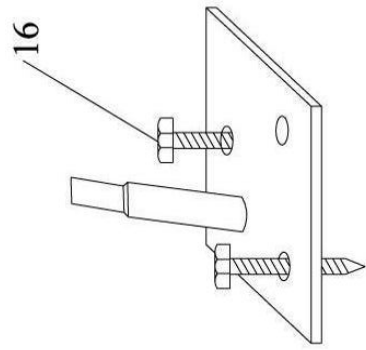
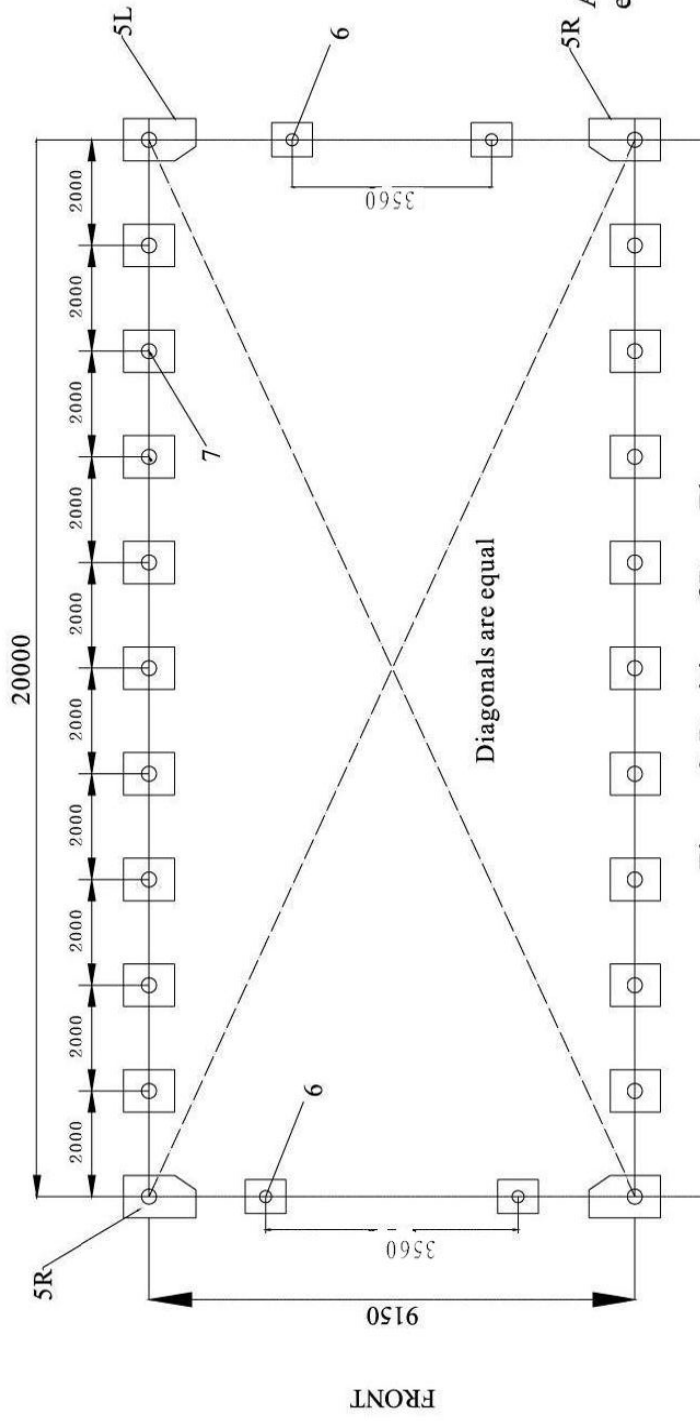


Figure 3  
As Figure 3 shows, each base flange is equipped with 3 pieces of stake pegs

Figure 2 Position of Base Flanges

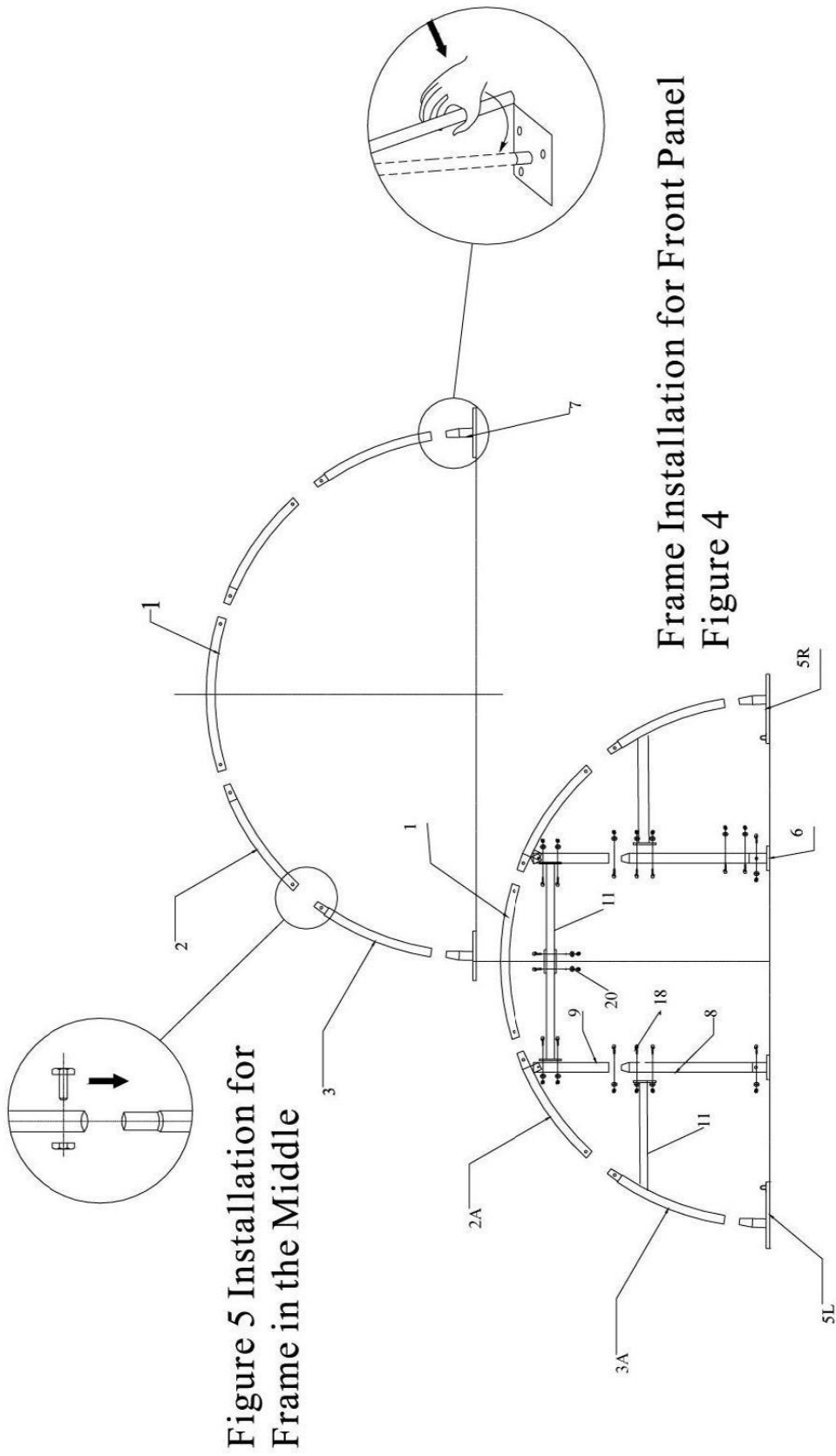


Figure 5 Installation for Frame in the Middle

Frame Installation for Front Panel  
Figure 4



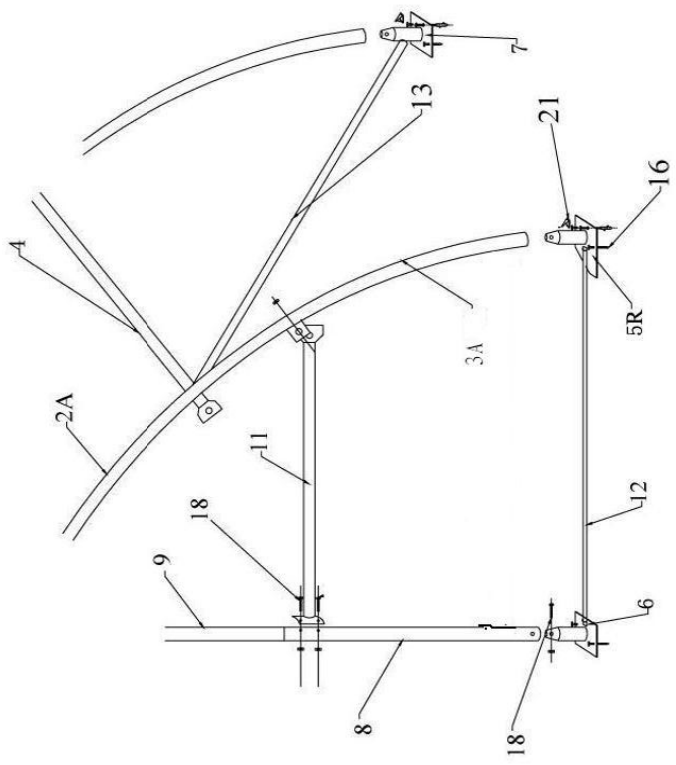
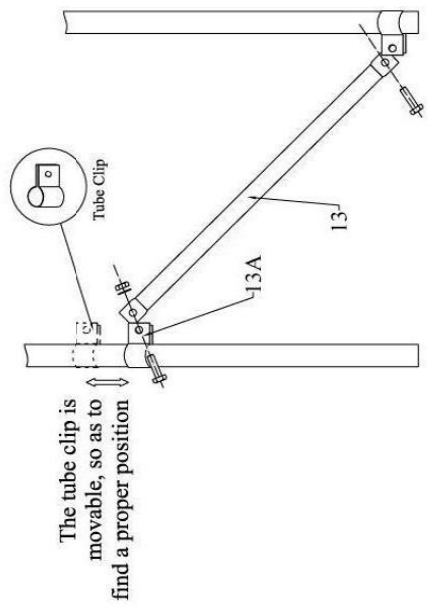


Figure 6 Installation of front panel

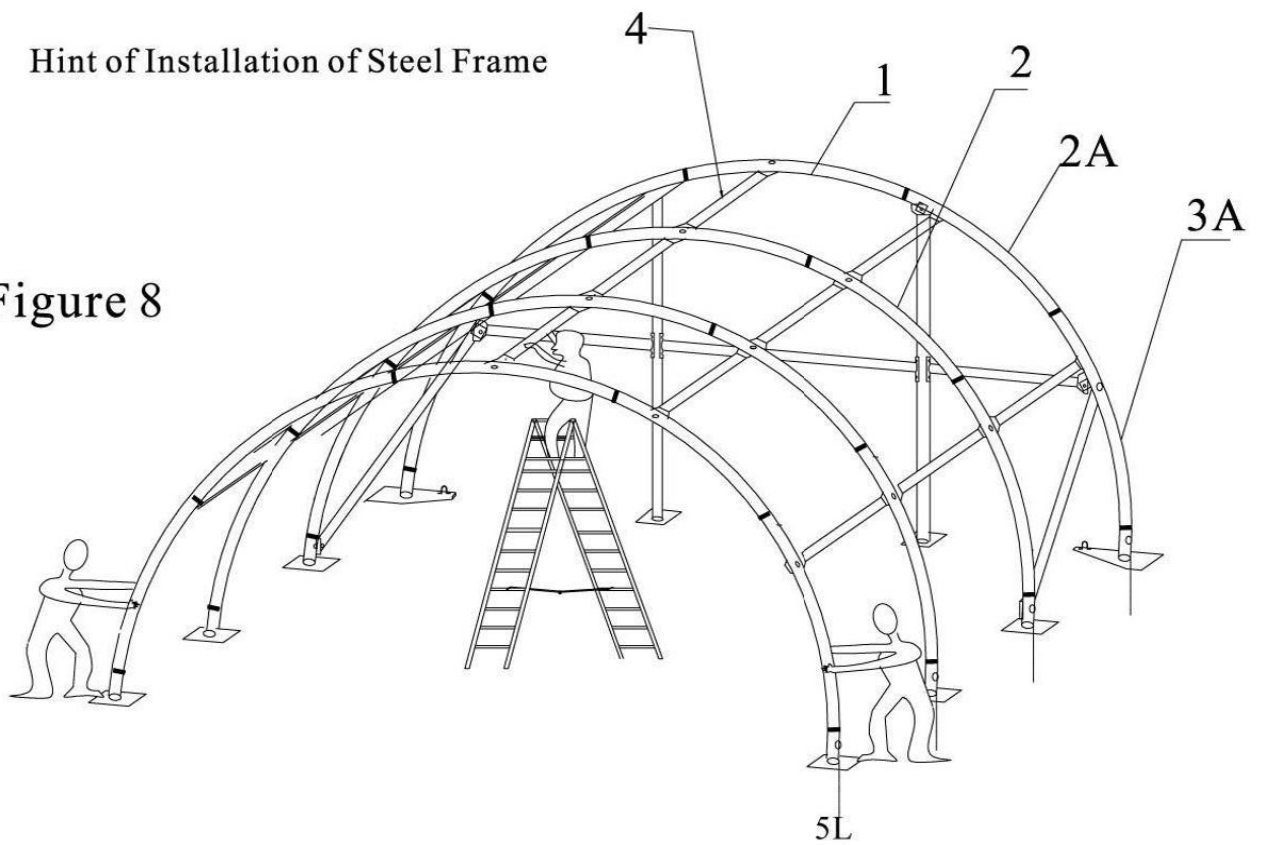


The tube clip is movable, so as to find a proper position

Figure 7: The way to fix the Slanting support tube to the frame.

### Hint of Installation of Steel Frame

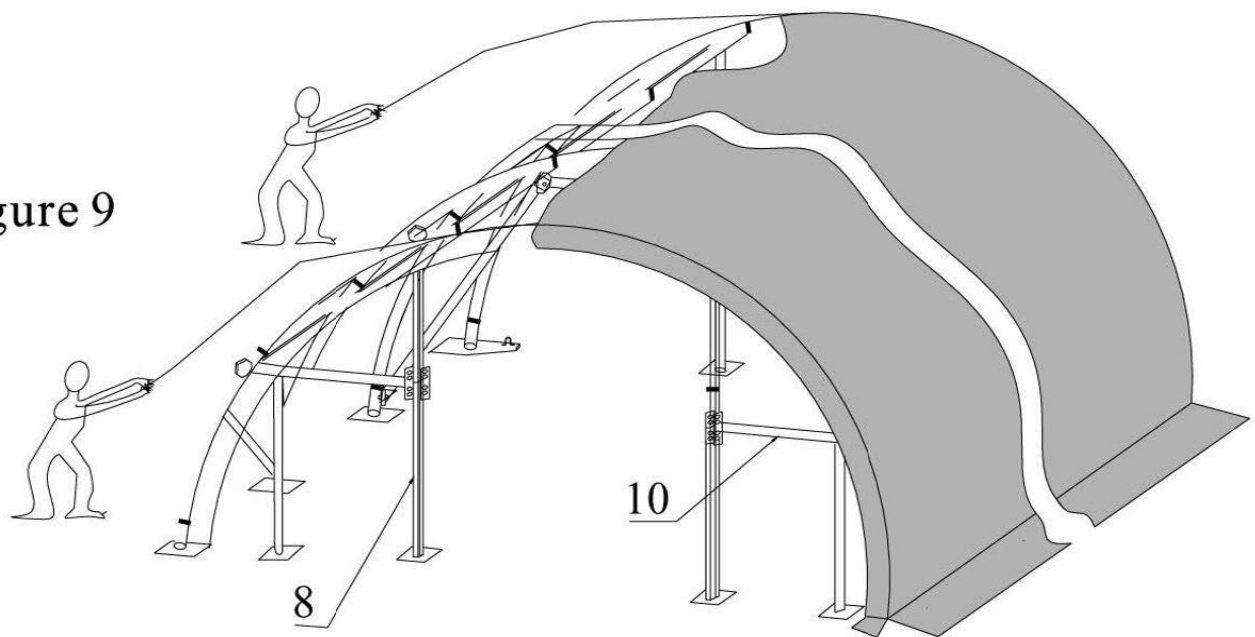
Figure 8



### Method of Roof Cover Installation

As per Figure 9, please pull the roof cover over the frame evenly.

Figure 9



## Method of Fastening Roof Cover

As per figure 12, please tighten the rope at the four corners of the roof cover. When the roof cover folds to the frame well, please tie end of the bands to the clips.

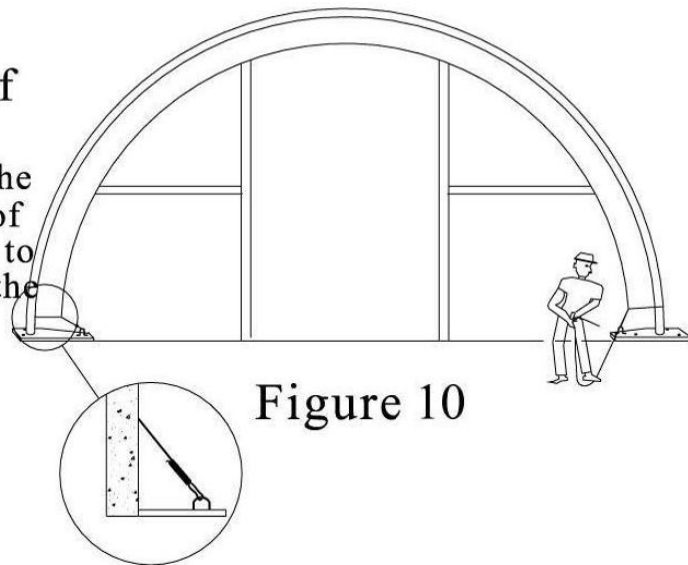


Figure 10

Please insert the Lower Roof Cover Tensioning Tube(part code 14) into the "sleeves" of the bottom of both sides of roof cover. In the meanwhile please put the Nylon Band(part code 25) onto the tubes and pull the Nylon Bands through the reels of the Ratchet Tie Down (part code 21). Please pull the Down Ratchet forth and back with the roof fastening finished.

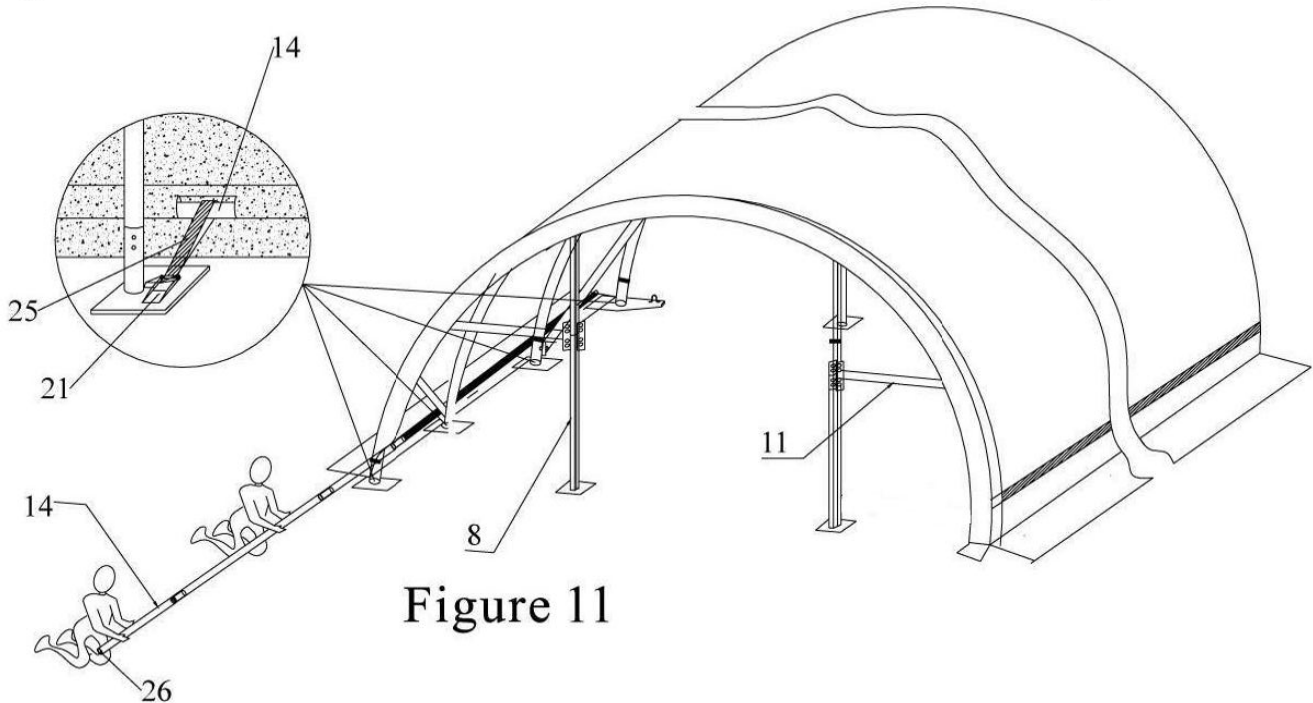
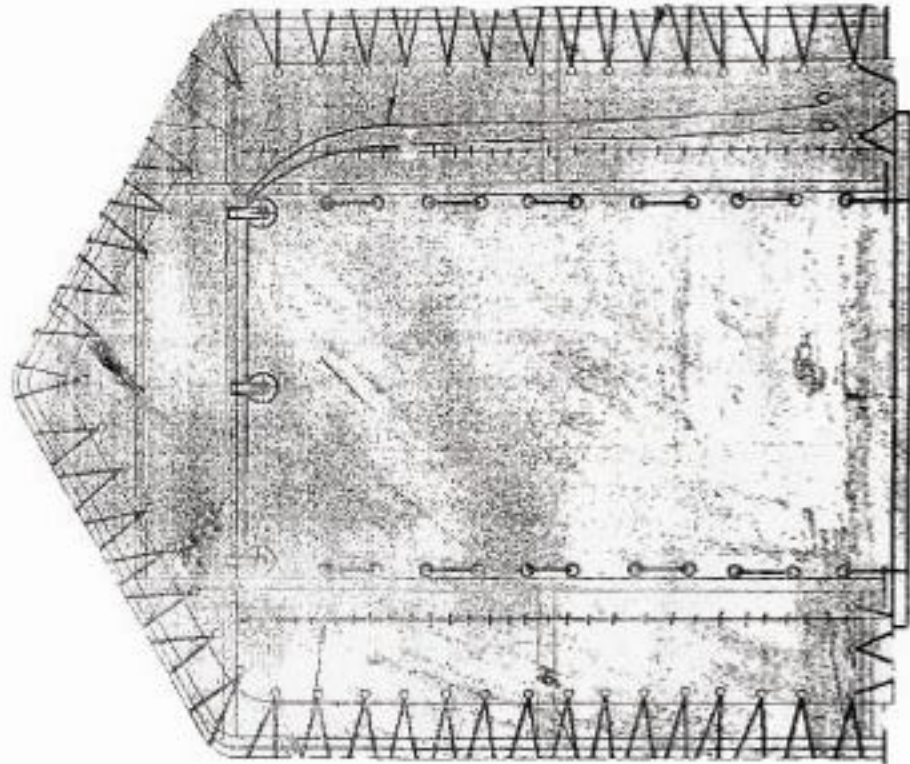


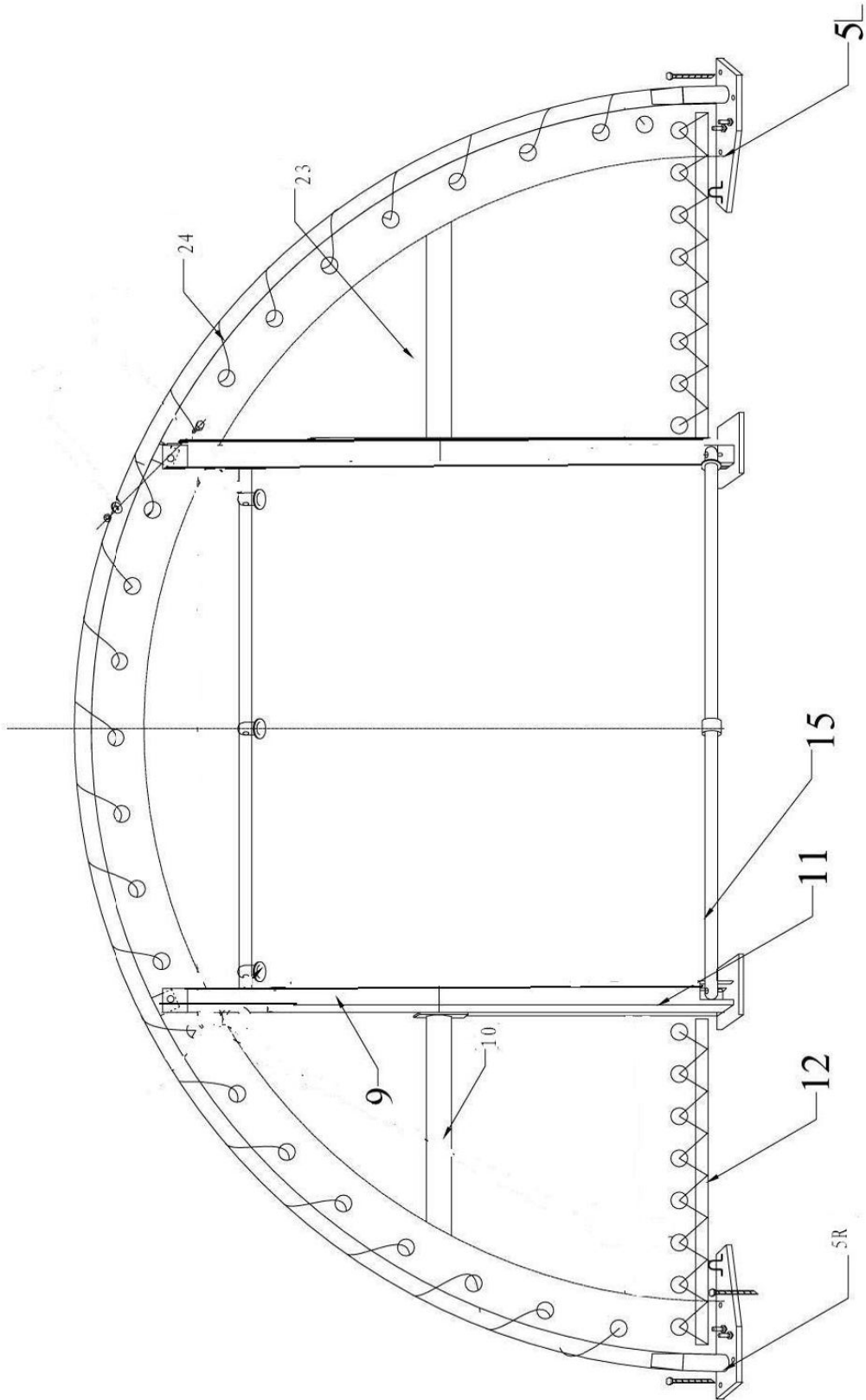
Figure 11

## Door (view from inside)

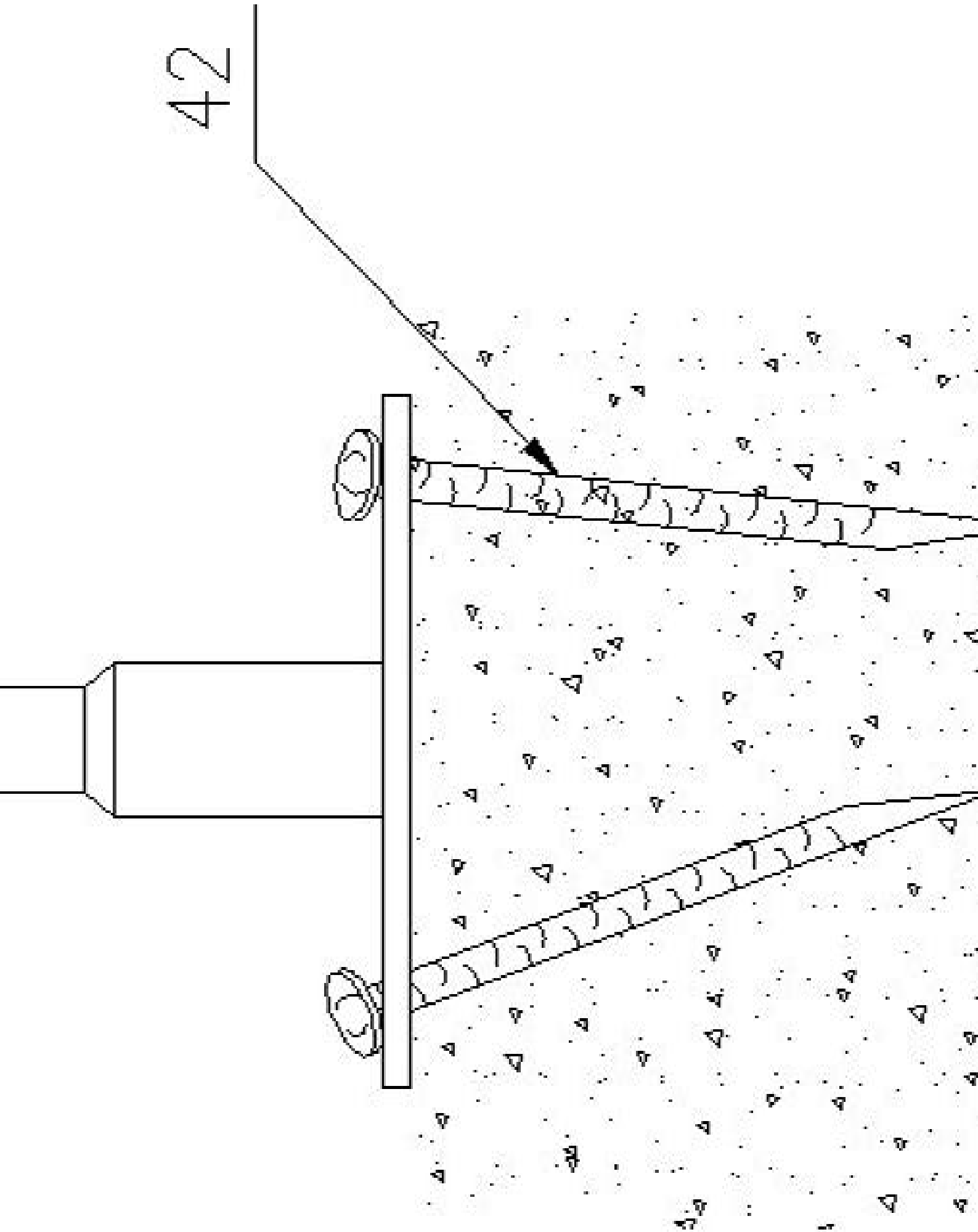


1. Pls fix the edges of front cover  
To the frames by ropes.  
And insert the door dropping tube  
into the bottom pocket of front cover
2. Pls put the rope in the left eyelets  
Through the tackles on the cross tube  
And drop down it on the right
3. When you want to open the door,  
Firstly pls open the zipper by rope  
With hook and go into the shelter.  
Then pls pull the two ropes on right to raise the door.  
When the door is raised to top,  
pls bind the two ropes to standing legs.

Figure 12 Installation of Front and Back Cover  
(Seeing from Inside)



42



## Remark Page:

### Assembly Steps

1. Make certain the position of each Base Flanges by measurement and fix them to the ground.
2. Each group of sidewall is made up of Curved Roof Tubes, Sidewall Tubes (Vertical Tubes). Plz assemble every group of sidewall by bolts in turn on the ground, as per figure 'a' shows.
3. Put the left sidewall into the receiving tube on left Base Flange, and push the right sidewall to the receiving tube on right Base Flange. Because it needs tension for every group of sidewall, plz push hard the right sidewall to the receiving tube on right Base Flange, as per figure 'b' and 'c' show.
4. When finishing fixing the first and second groups of sidewall to the Base Flanges, plz install Horizontal Tubes by bolts, as per figure 'd' shows. Plz repeat the above steps to assemble and fix all groups of sidewall and Horizontal tubes.
5. After finishing installation of all sidewalls and horizontal tubes, plz assemble the tubes in front and rear(back) panels. When installing them, plz find the relative parts and assemble them according the figures.
6. After finishing installing frame, plz put the Roof Cover evenly over the frame. Put the Cover Tensioning Tubes through the pockets at the bottom of both sides of roof cover. Then pull the Tie Down Ratchets forth and back to tension the roof cover. Then plz fasten the end of roof cover by ropes and tie up the ropes to the flanges well.
7. Plz fix the front and rear(back) cover to the frame by the parts according to the figures shows.

This is a general step of assembly, plz kindly finish the other small steps such as the door installation by yourself.

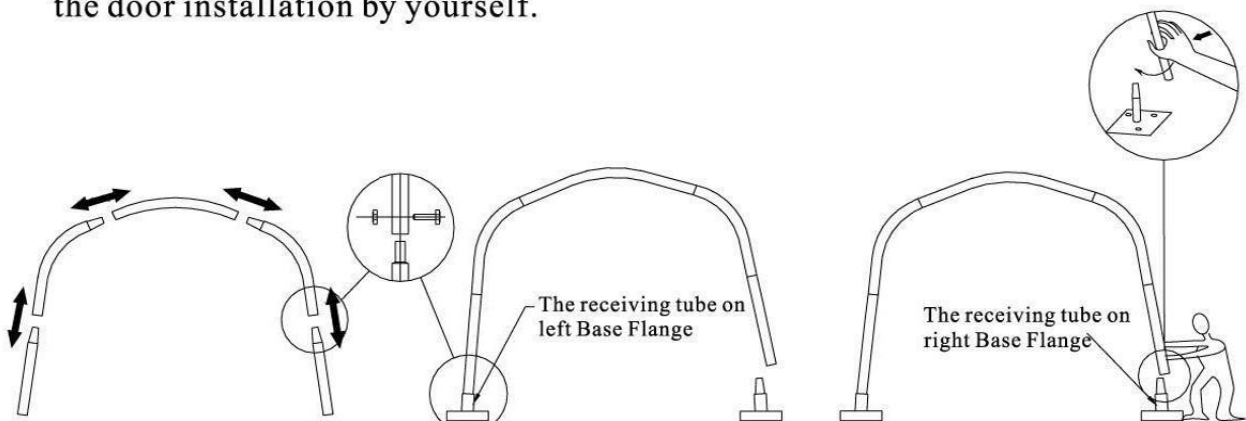


Figure a.  
First assemble every group  
of sidewall

Figure b.  
Then put the left sidewall into  
the receiving tube on left Base  
Flange

Figure c.  
Thirdly, push hard the right sidewall to  
the receiving tube on right Base Flange

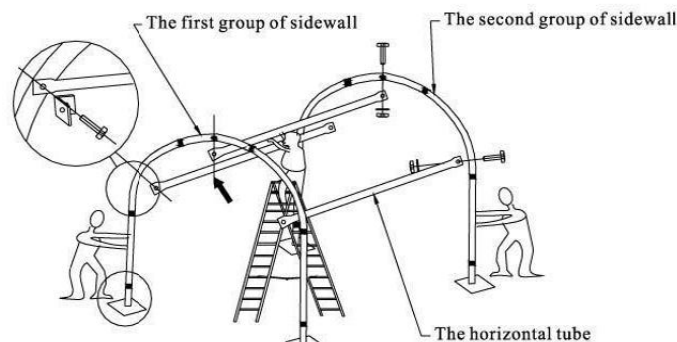


Figure d.  
Installation of Horizontal Tubes

## Contact information

### Head office:

Dancover A/S  
Nordre Strandvej 119 G  
3150 Hellebæk  
Denmark

For more information  
please visit:  
[www.dancovershop.com](http://www.dancovershop.com)

## National contact

### Denmark:

[denmark@dancover.com](mailto:denmark@dancover.com)

### UK:

[uk@dancover.com](mailto:uk@dancover.com)

### Germany:

[germany@dancover.com](mailto:germany@dancover.com)

### France:

[france@dancover.com](mailto:france@dancover.com)

### Sweden:

[sverige@dancover.com](mailto:sverige@dancover.com)

### Finland:

[suomi@dancover.com](mailto:suomi@dancover.com)

### Poland:

[polska@dancover.com](mailto:polska@dancover.com)

### Luxembourg:

[luxembourg@dancover.com](mailto:luxembourg@dancover.com)

### Spain:

[espana@dancover.com](mailto:espana@dancover.com)

### Italy:

[italia@dancover.com](mailto:italia@dancover.com)

### Switzerland:

[schweiz@dancover.com](mailto:schweiz@dancover.com)

### Austria:

[austria@dancover.com](mailto:austria@dancover.com)

### Norway:

[norge@dancover.com](mailto:norge@dancover.com)

### Nederland:

[nederland@dancover.com](mailto:nederland@dancover.com)

### Ireland:

[ireland@dancover.com](mailto:ireland@dancover.com)

### Belgium:

[belgique@dancover.com](mailto:belgique@dancover.com)