

DANCOVER[®]



Storage tent
L12xW9,15xH4,5m

Assembly Illustration

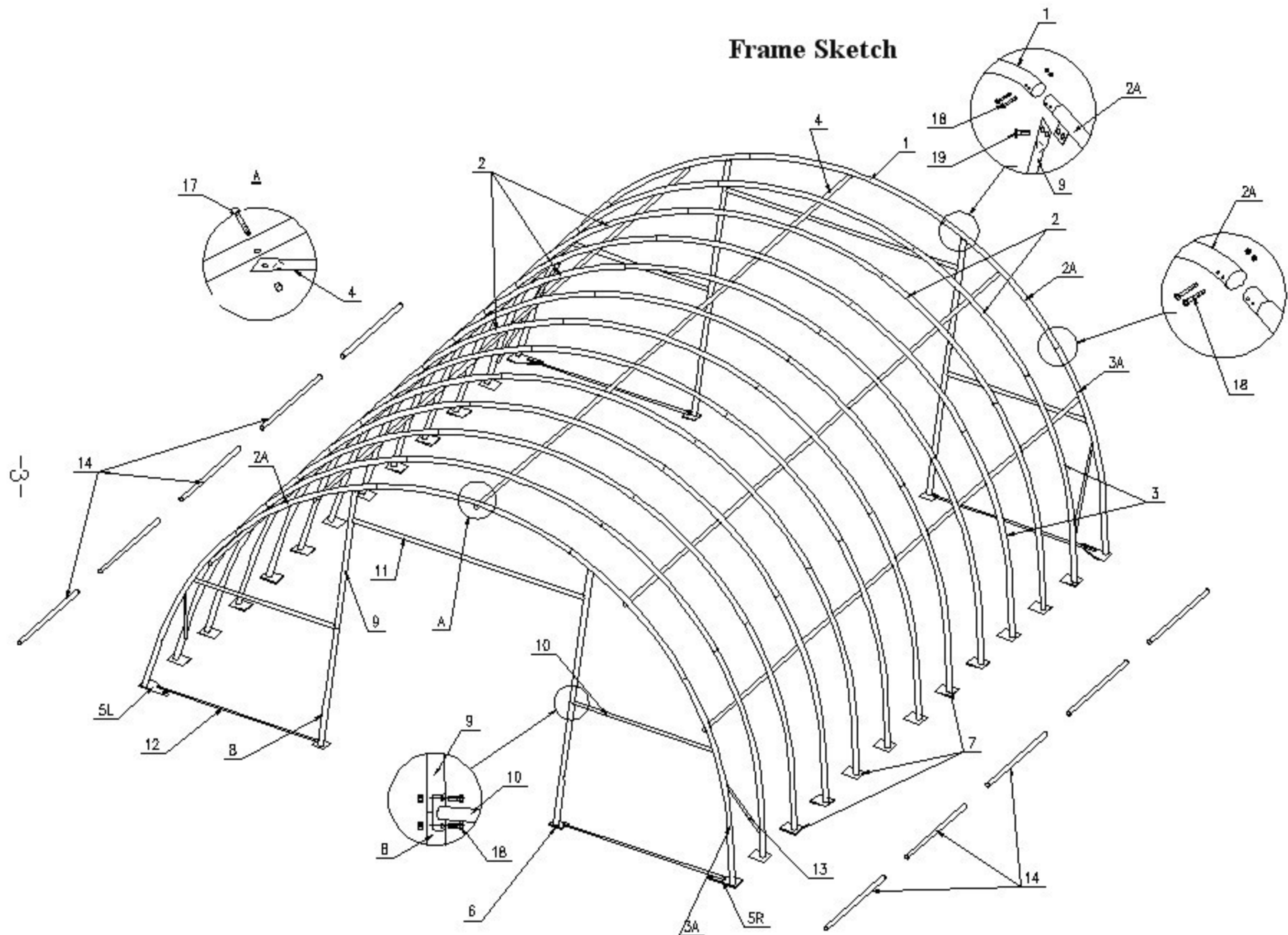
Model: BASIC-3040 (M)

For "User Friendly" assembly we have identified each individual component with our part code number as indicated in the parts list. Please refer to the part code numbers and drawings to ensure problem free assembly.

PARTS LIST

Part Code	DESCRIPTION	QTY	BOX
1	Top roof curved tube	13	B
2	Roof curved tube	22	B
2A	Tube at front and rear	4	B
3	Sidewall tube	22	B
3A	Sidewall tube at front and rear	4	B
4	Roof purlin an horizontal tube	60	A
5L	Base flange in corner	2	B
5R	Base flange in corner	2	B
6	Base flange for standing legs in front and back panel	4	B
7	Base flange for sidewall	22	B
8	lower standing leg in front and rear panel	4	A
9	Upper standing leg in front and rear panel	4	A
10	Side beam for front and rear	4	A
11	Beam for front and rear	2sets (with wheels on)	A
12	Bottom tensioning tube of front and rear cover	4	A
13	Standing support tube	4	A
13A	Tube slip for standing support tube	8	B
14	Tensioning tube for lower roof cover	2sets (12pcs)	A
15	Door dropping tube at the bottom	2sets	A
16	Stake peg	86	B
17	Bolt M10X80	65	B
18	Bolt M8X70	176	B
19	Bolt M10X30	16	B
20	Bolt M8X65	Already fit on	B
21	Tie down ratchet (install on base plate)	14pcs (already fit on)	B
22	Roof cover	1	A
23	Front and back cover	2	A
24	Lace rope for roof cover front cover rear cover	1bundle	B
25	Nylon tensioning band for tie down ratchet	26	B
26	φ 32Plastic cap for tensioning tube	12	B
27	φ 32 Plastic cap for P15	4 (already fit on)	B

Frame Sketch



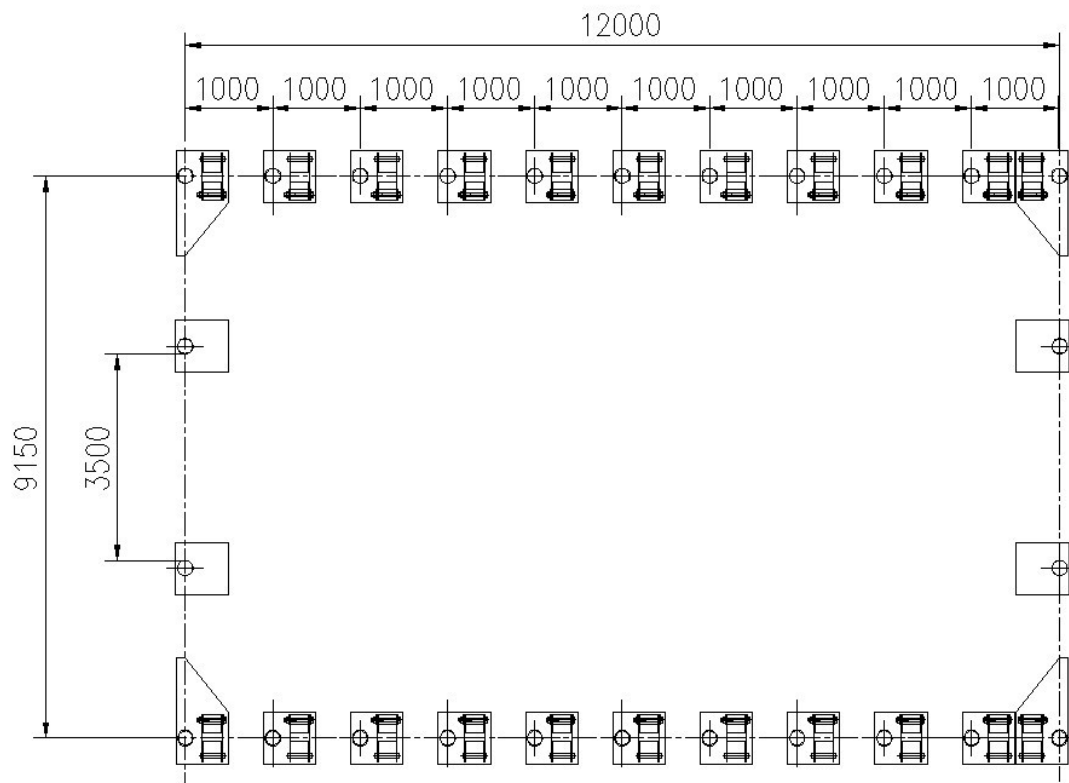
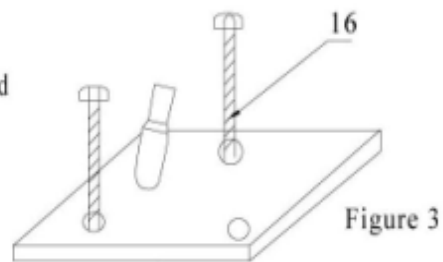


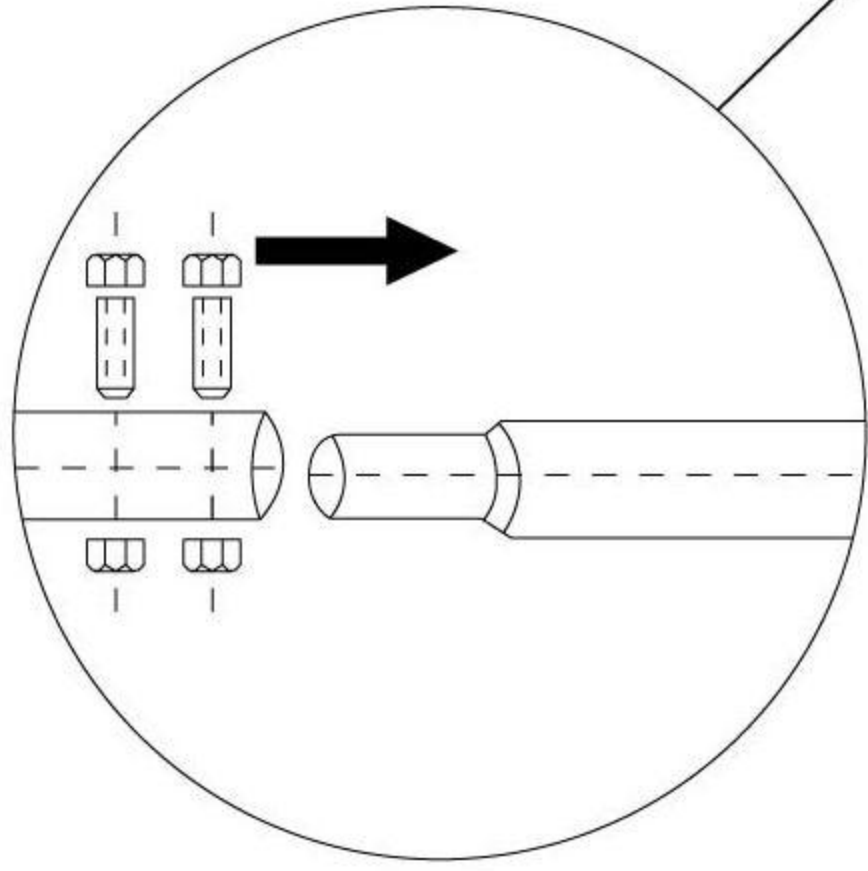
Figure 2

Schematic Drawing of Base Flange Placement

Fixing Base Flanges

As Figure 3 shows each Flange Base is equipped with 3 pieces of Stoke Pegs





Installation for Frame in the middle

Frame Installation for Back Panel

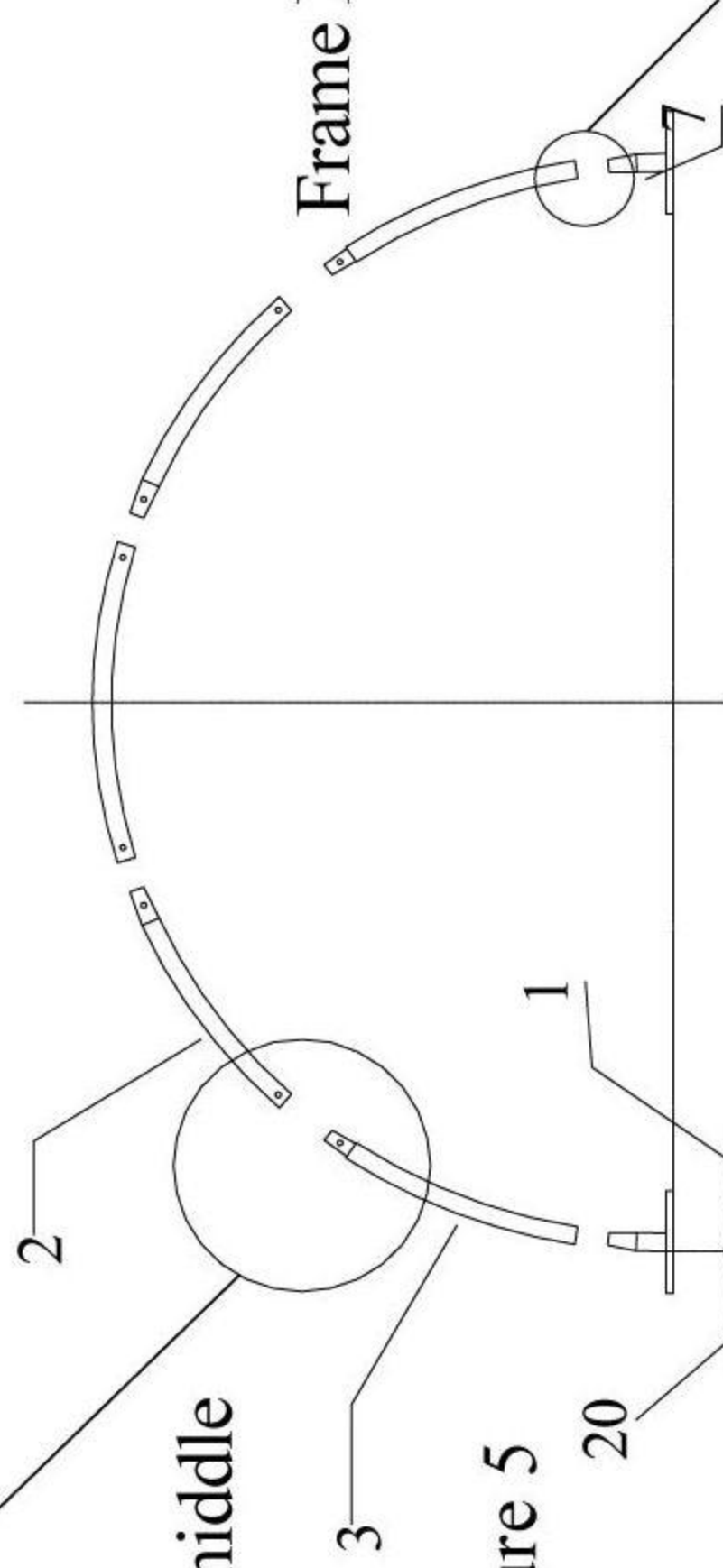


Figure 5

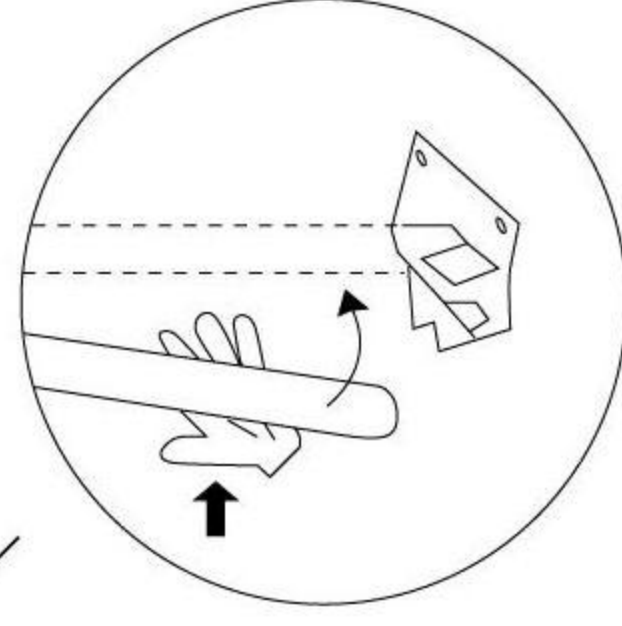


Figure 4

Frame Installation for Front Panel

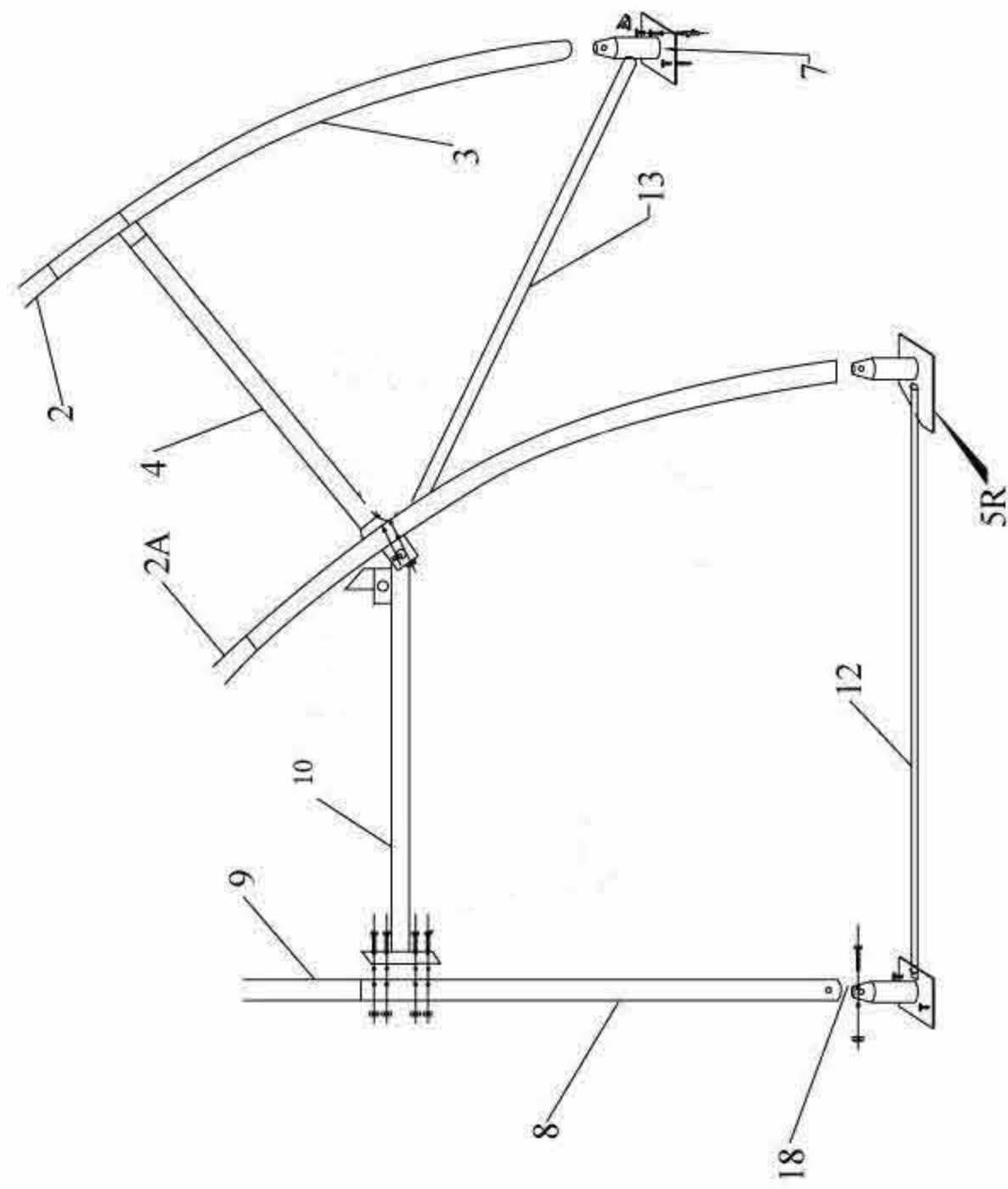


Figure 6 Installation of front panel

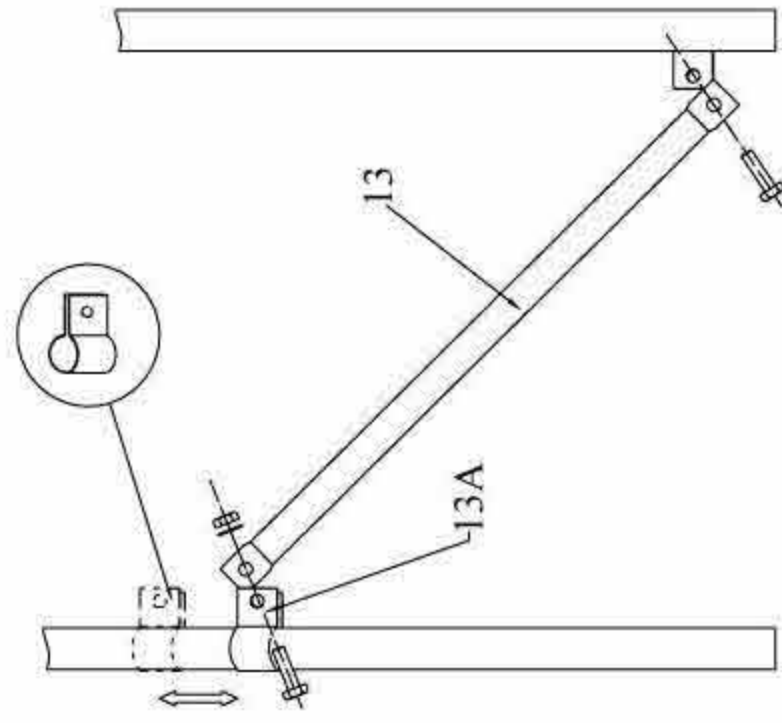
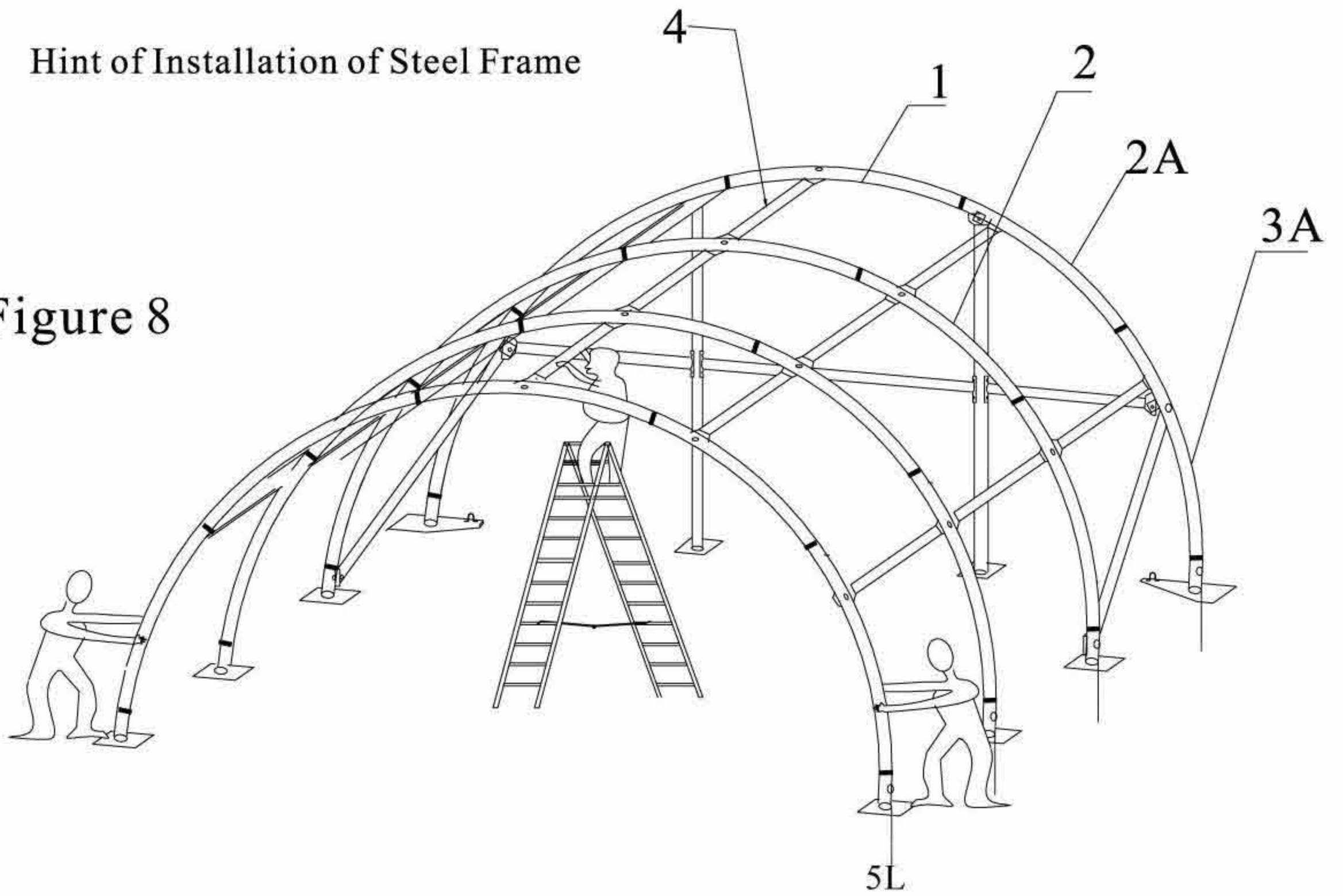


Figure 7: The way to fix the Slanting support tube to the frame.

Hint of Installation of Steel Frame

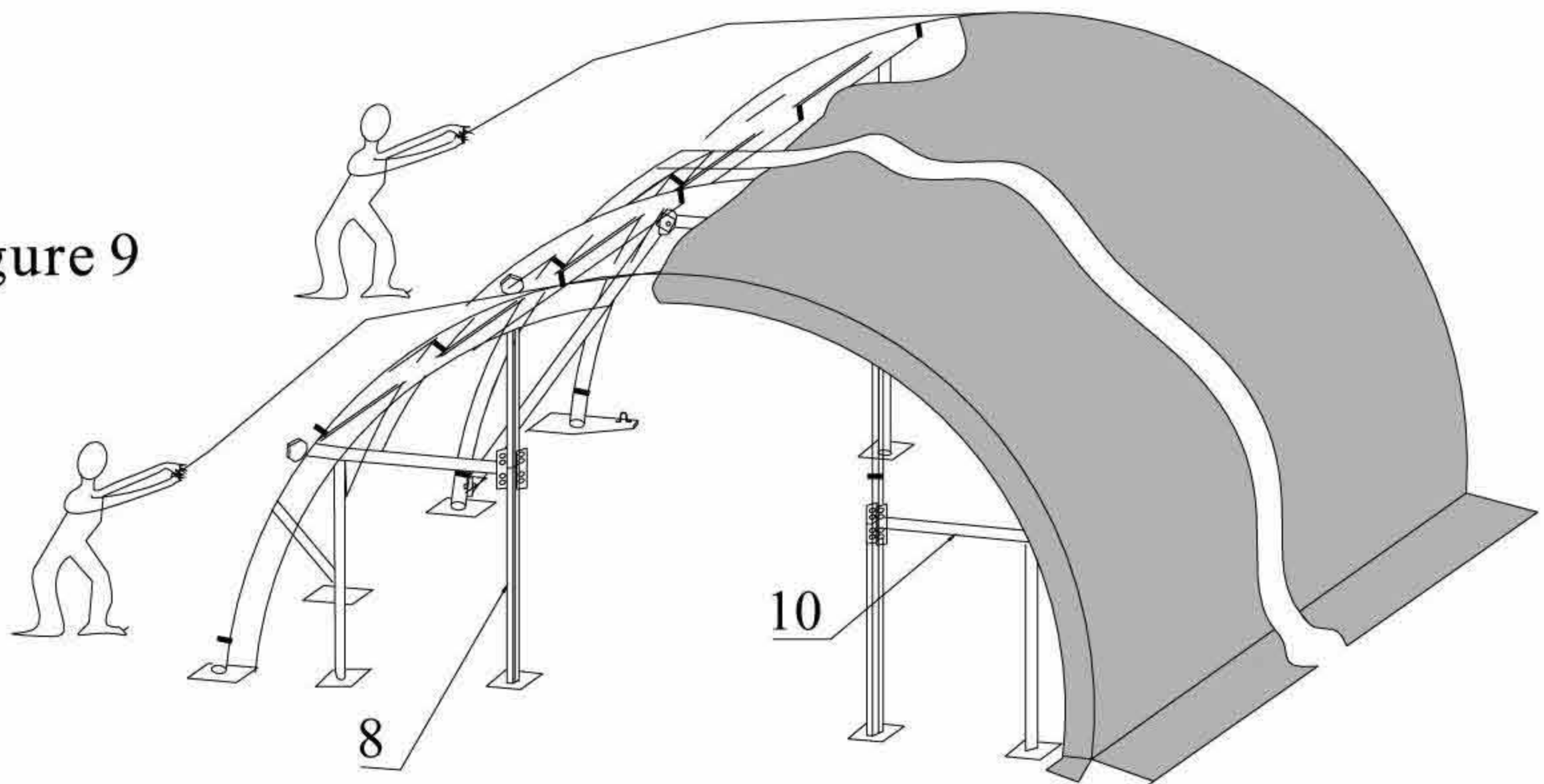
Figure 8



Method of Roof Cover Installation

As per Figure 9, please pull the roof cover over the frame evenly.

Figure 9



Method of Fastening Roof Cover

As per figure 10 , please tighten the rope at the four corners of the roof cover. When the roof cover folds to the frame well, please tie end of the bands to the clips.

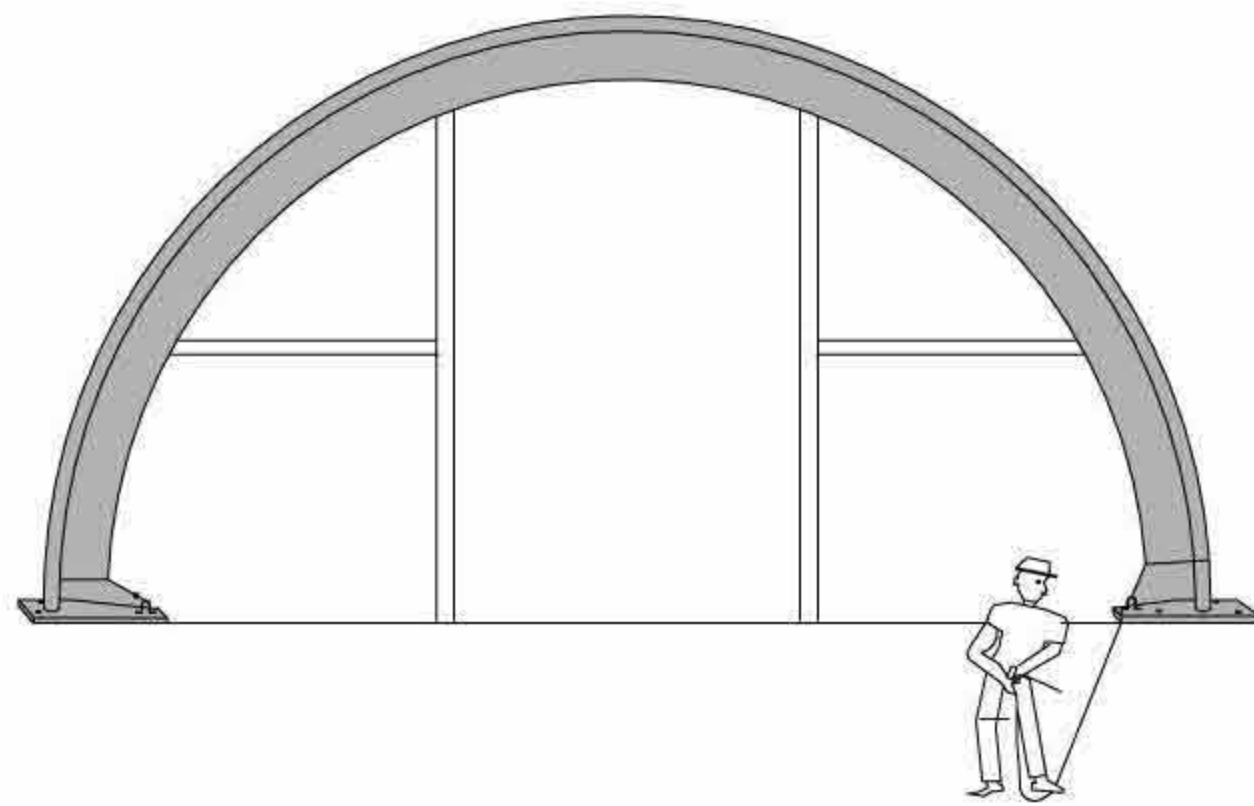


Figure 10

Please insert the Lower Roof Cover Tensioning Tube(part code 14) into the "sleeves" of the bottom of both sides of roof cover. In the meanwhile please put the Nylon Band(part code 25) onto the tubes and pull the Nylon Bands through the reels of the Ratchet Tie Down (part code 21). Please pull the Down Ratchet forth and back with the roof fastening finished.

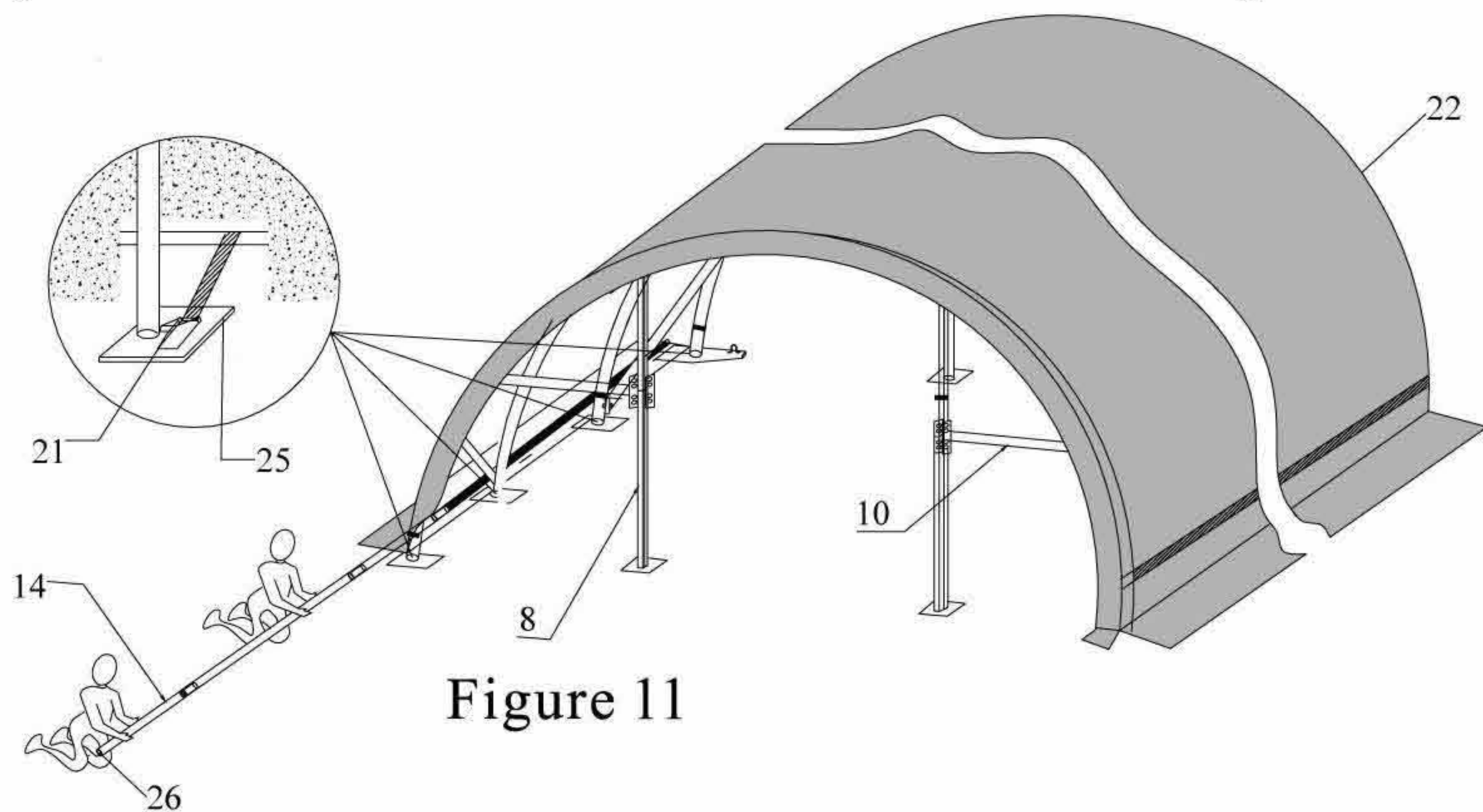
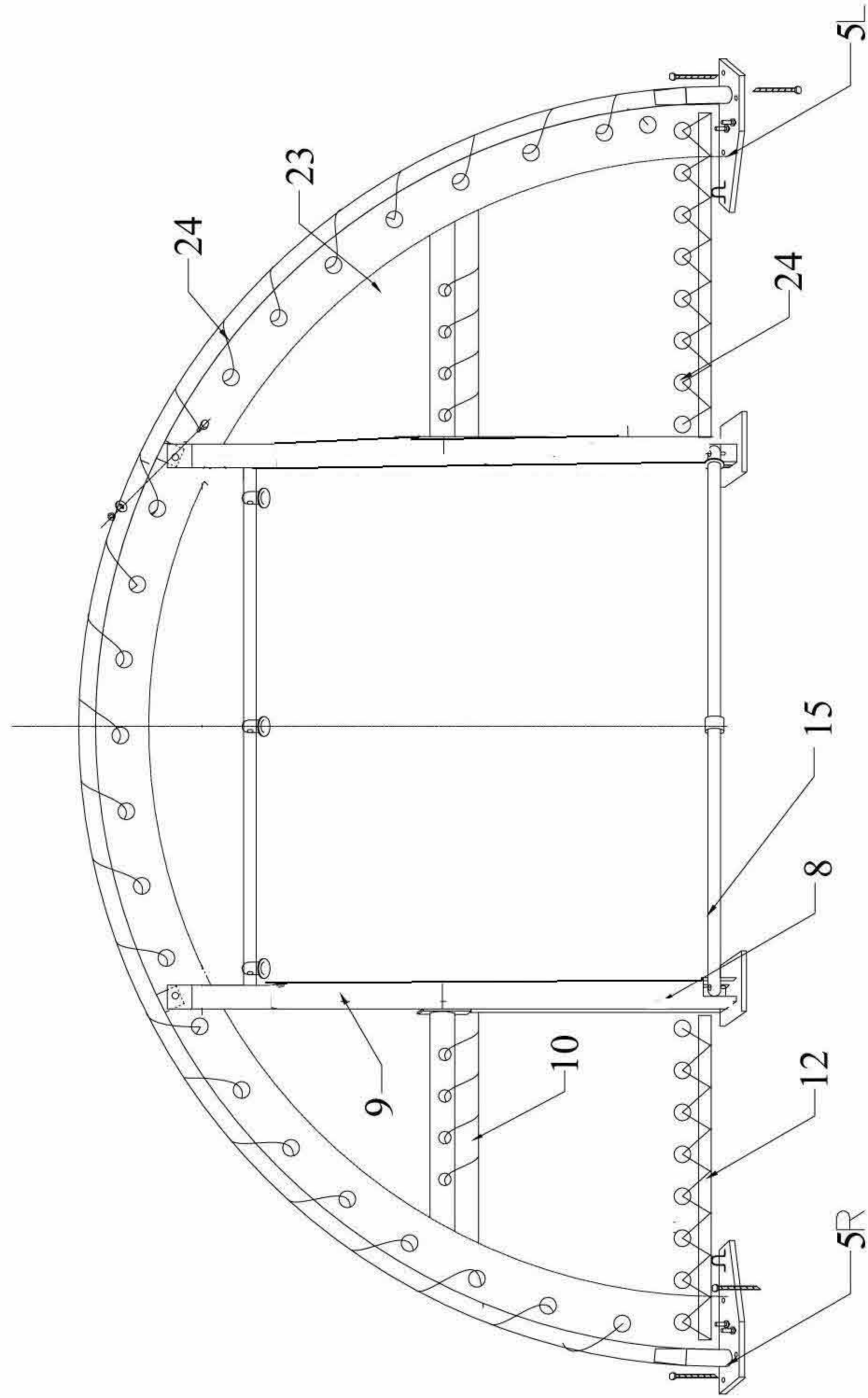


Figure 11

Figure 14 Installation of Front Cover
(Seeing from Inside)



Remark Page:

Assembly Steps

1. Make certain the position of each Base Flanges by measurement and fix them to the ground.
2. Each group of sidewall is made up of Curved Roof Tubes, Sidewall Tubes (Vertical Tubes). Plz assemble every group of sidewall by bolts in turn on the ground, as per figure 'a' shows.
3. Put the left sidewall into the receiving tube on left Base Flange, and push the right sidewall to the receiving tube on right Base Flange. Because it needs tension for every group of sidewall, plz push hard the right sidewall to the receiving tube on right Base Flange, as per figure 'b' and 'c' show.
4. When finishing fixing the first and second groups of sidewall to the Base Flanges, plz install Horizontal Tubes by bolts, as per figure 'd' shows. Plz repeat the above steps to assemble and fix all groups of sidewall and Horizontal tubes.
5. After finishing installation of all sidewalls and horizontal tubes, plz assemble the tubes in front and rear(back) panels. When installing them, plz find the relative parts and assemble them according the figures.
6. After finishing installing frame, plz put the Roof Cover evenly over the frame. Put the Cover Tensioning Tubes through the pockets at the bottom of both sides of roof cover. Then pull the Tie Down Ratchets forth and back to tension the roof cover. Then plz fasten the end of roof cover by ropes and tie up the ropes to the flanges well.
7. Plz fix the front and rear(back) cover to the frame by the parts according to the figures shows.

This is a general step of assembly, plz kindly finish the other small steps such as the door installation by yourself.

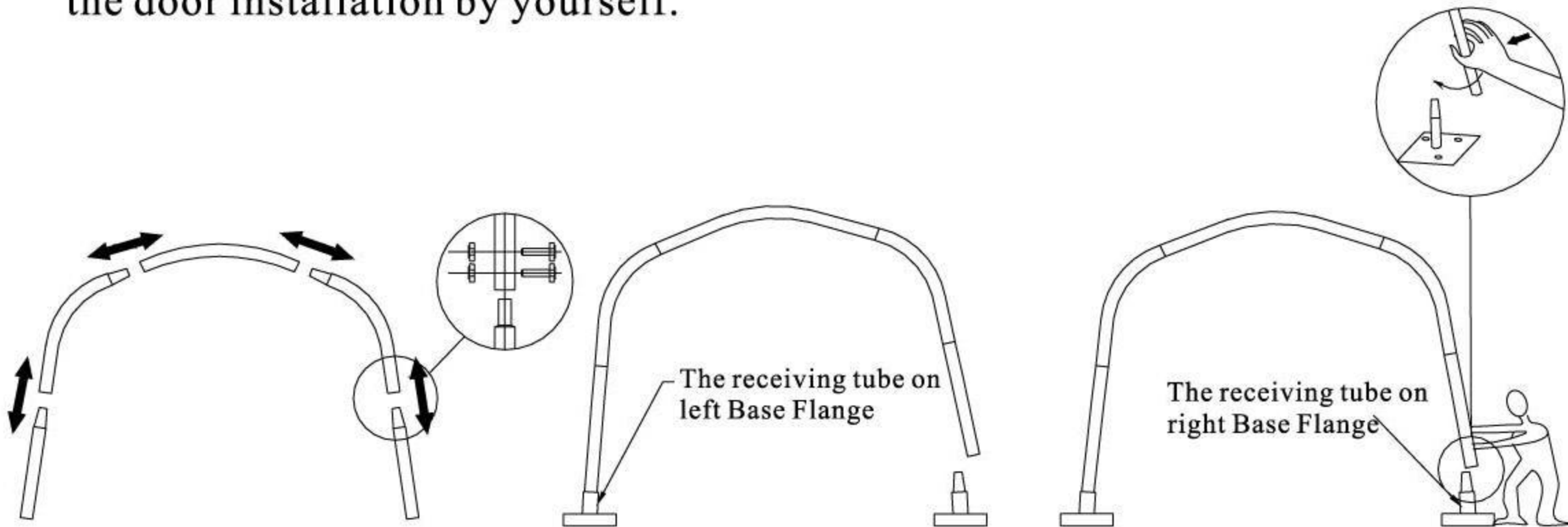


Figure a.
First assemble every group of sidewall

Figure b.
Then put the left sidewall into the receiving tube on left Base Flange

Figure c.
Thirdly, push hard the right sidewall to the receiving tube on right Base Flange

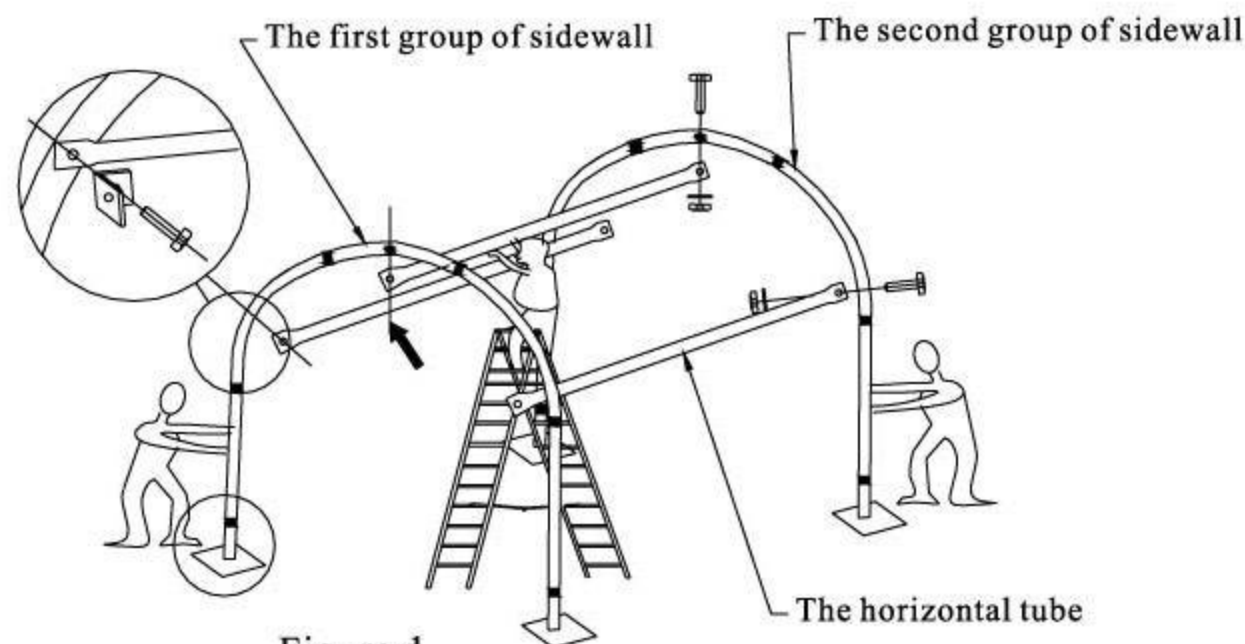


Figure d.
Installation of Horizontal Tubes

Contact information

Head office:

Dancover A/S
Nordre Strandvej 119 G
3150 Hellebæk
Denmark

For more information
please visit:
www.dancovershop.com

National contact

Denmark:
denmark@dancover.com

UK:
uk@dancover.com

Germany:
germany@dancover.com

France:
france@dancover.com

Sweden:
sverige@dancover.com

Finland:
suomi@dancover.com

Poland:
polska@dancover.com

Luxembourg:
luxembourg@dancover.com

Spain:
espana@dancover.com

Italy:
italia@dancover.com

Switzerland:
schweiz@dancover.com

Austria:
austria@dancover.com

Norway:
norge@dancover.com

Nederland:
nederland@dancover.com

Ireland:
ireland@dancover.com

Belgium:
belgique@dancover.com