

**DANCOVER<sup>®</sup>**

**.com**

Manual  
for  
Storage Tent PRO  
8x12x5,2m PVC

# DANCOVER<sup>®</sup>

.com

## Safety Advice

### Attention

In some countries approval is needed to set up a tent larger than 75 m<sup>2</sup>. It is your responsibility to comply with local rules and regulations and to ensure that the tent is assembled correctly.

In case of bad weather conditions, it is your responsibility to ensure the tent is safely secured and that the tent does not cause damage to others.

Do not use open fire, welding equipment or other sources which can ignite, inside or close to the tent.

The tent must be safely secured. We recommend you secure your tent with straps and pegs as soon as it is assembled.

Make sure to check if the tent is covered by your home contents insurance.

Tents must be evacuated under extreme weather conditions.

In the event of snow, always remove snow from the roof of the tent regularly to prevent snow from building on the roof, as heavy snow can cause the tent to collapse.

In the event of rain, there is a risk of rain puddles building up on top of the roof of the tent. Heavy rain puddles can cause the roof to collapse. It is your responsibility to ensure rain puddles do not build up. As a precaution, make sure the roof of the tent is stretched out properly and adequately over the side frames of the tent and remove rain water regularly.

Do not unpack or repack your tent in freezing temperatures. In case of temperatures below zero, always unpack and repack your tent indoors to avoid the risk of cracking parts.

The tent must be totally dry before you repack and store it to avoid mildew.

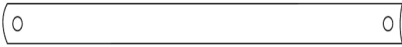





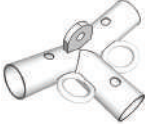
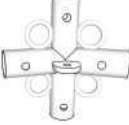
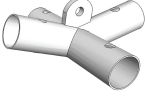


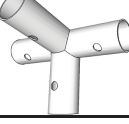
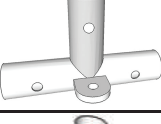
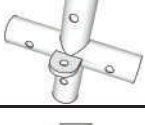

**Note:** Dancover warranty applies only to the normal use of the Product, normal wear and tear excepted, in accordance with written use instructions or manual. The warranty does not apply to damage caused by accident, abuse, misuse, or modification of the Product.

## Warranty Information


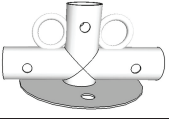
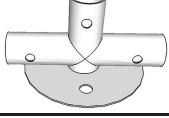
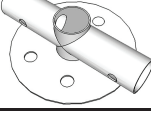


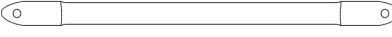







Please visit [dancovershop.com](http://dancovershop.com) for information on warranty.

*Please always check our website for the latest safety advice and manual.*

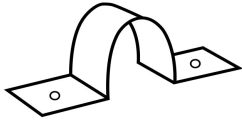


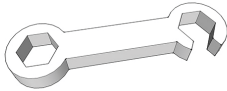

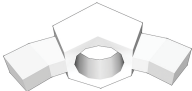


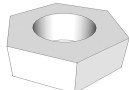
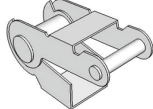

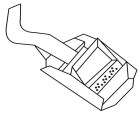
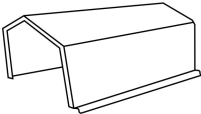
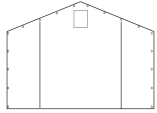
# 8x12m Storage Tent

Part number	Description		Quantity
1	Bottom Leg 1455mm $\phi$ 50		14
2	Pipe 1880mm $\phi$ 38		50
4	Pipe 750mm roof enforcement vertical		7
5	Pipe 1980mm roof enforcement horizontal		14
6	Top Leg 1508mm $\phi$ 50		14
7	Pipe 2188mm $\phi$ 50		28
8	3-way connector for gabel roof top 120°, 54-42mm with rings and flange		2
9-1	4-way connector roof top 120°, 54-42mm with rings and flange		2
9-2	4-way connector roof top 120°, 54-42mm with flange		3
10-1	4-way connector roof-leg 120°, 54-42mm with rings		4
A	3-way connector for corner 120°, 54-42mm with rings		4
B (10-2)	4-way connector roof-leg 120°, 54-42mm		6
11	3-way connector flat roof, 54-42mm with flange		4
12	4-way connector flat roof, 54-42mm with flange		10
13	Footbase 3-way right connector for corner with 1 ring		2

# 8x12m Storage Tent

14	Footbase 3-way Left connector for corner with 1 ring		2
15-1	Footbase 3-way connector flat for side with rings		4
15-2	Footbase 3-way connector flat for side		10
16	Footbase 2-way connector flat for gable		2
20	Bottom door pillar ø50		4
21	Top door pillar ø50		4
22	Pillar rail		4
23	Tension bar for roof cover		12
24	Steelwire buckle set for side		8
25	Steelwire buckle set for roof		12
26	Bungee		90
27	Spiral peg		4
28	Large peg 8x300mm		20
29	Small peg 6x180mm		48

# 8x12m Storage Tent

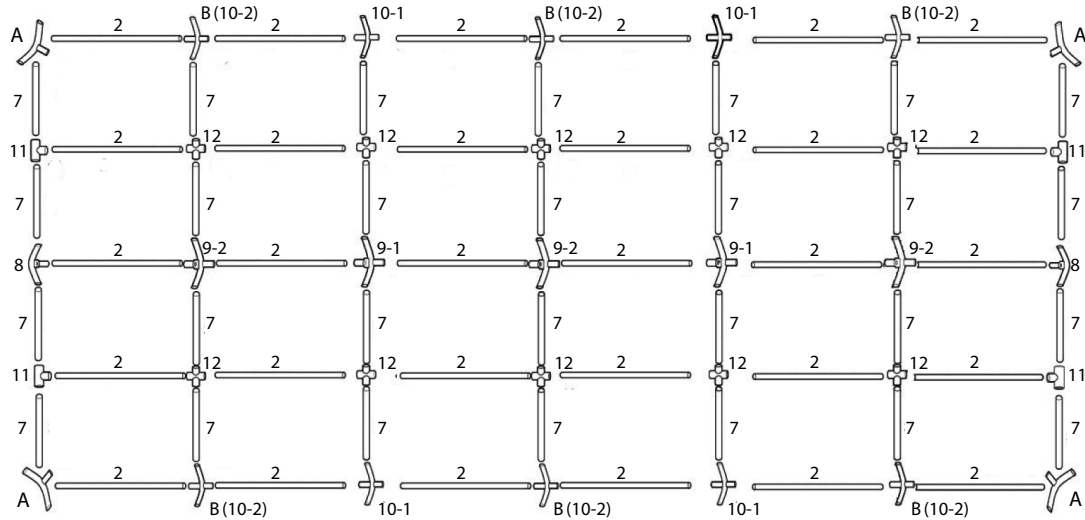
30	Floor bracket		12
31	Nail 345mm		24
32	Rope 5m		4
33	Spanner		1
34	Screw M6x30mm		30
35	Wing nut M6		30
36	Screw M8x50mm		102
37	Screw M8x60mm		108
38	Nut M8		210
39	Tie down ratchet		4
40	Rope for pillar rails 10m		4
41	Steel clip		36
42	Roof		1
43	End wall		2

# 8x12m Storage Tent

I

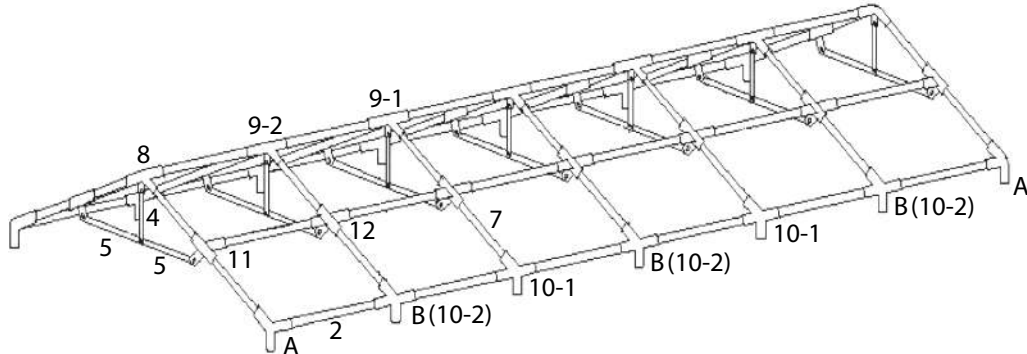
Select a flat ground for the tent, unpack the carton and check all the parts including tubes, tent and accessories... etc. are present as same as list.

Assemble the framework of rooftop by joining the portion (A, 8, 9-1, 9-2, 10-1, B, 11, 12) together with poles (2.7). To ensure the screw fixed to every pole tightly.

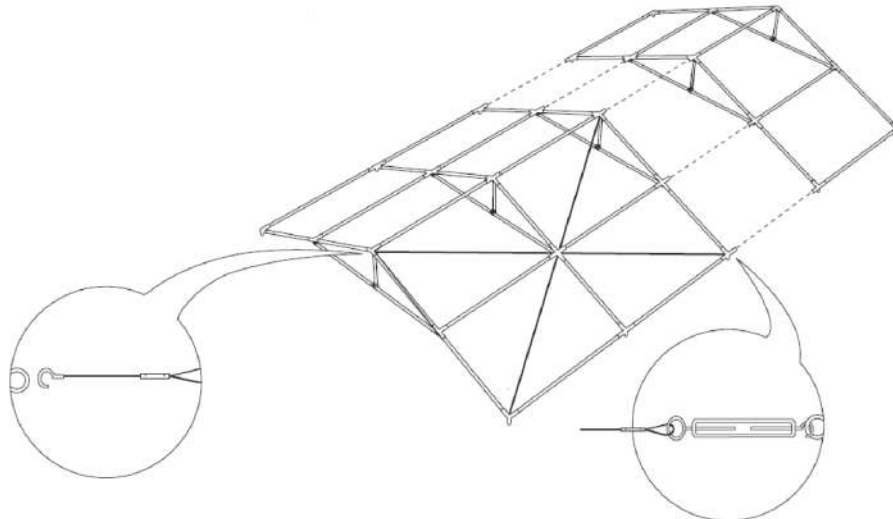


II

Attach one end of supported pole (4.5) to the joints (8, 11, 9-1, 9-2, 12)



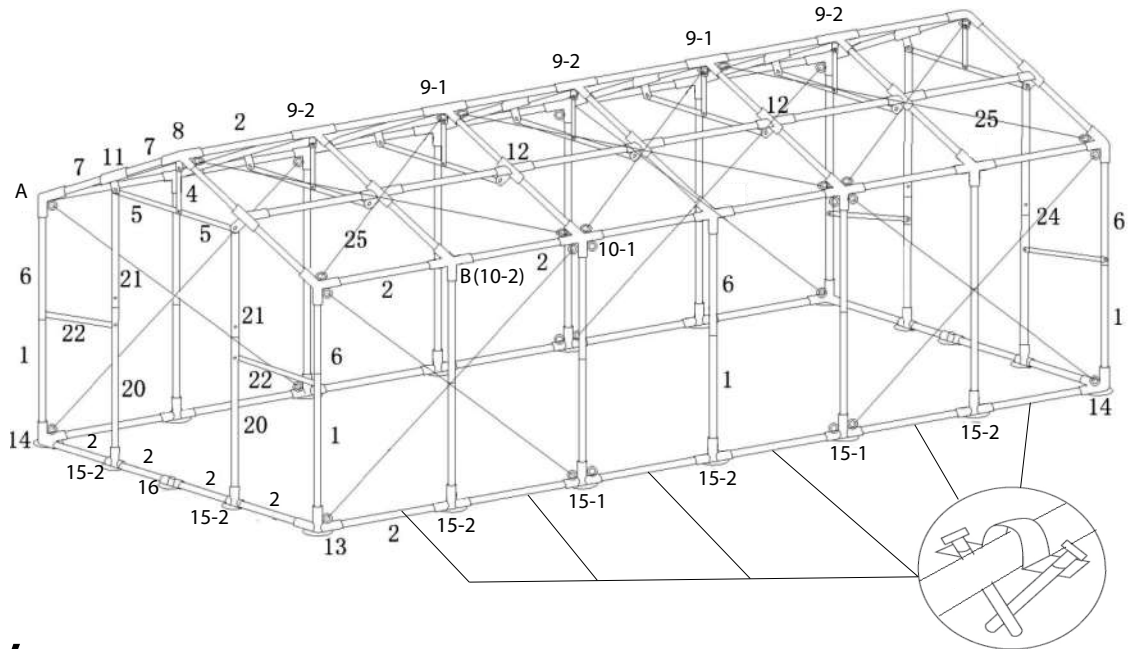
Fastening the roof by using turnbuckle set (25) which are diagonally across through each two sections as shown below.



# 8x12m Storage Tent

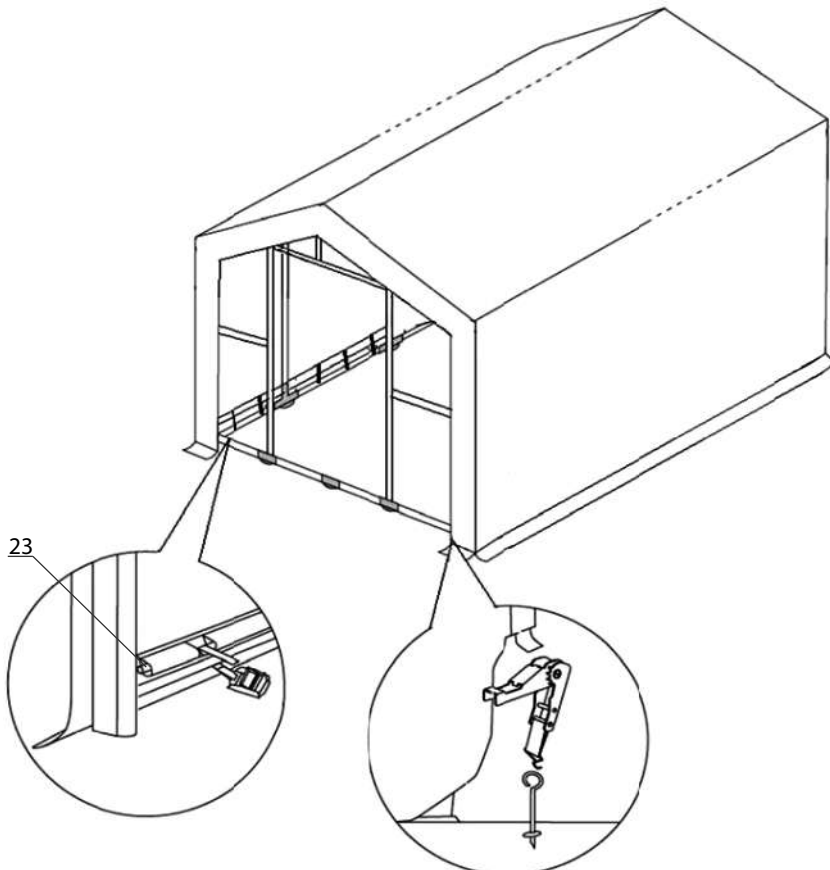
## III

Attach 7 pcs legs (no.6) to raise the tent on one side, then the other 7 pcs legs (no.6) on the other side. And repeat this step to fix the other 14 pcs legs. Use steel wires to complete the structure like below. Fix the ground bar and pillars like shown on the picture below.



## IV

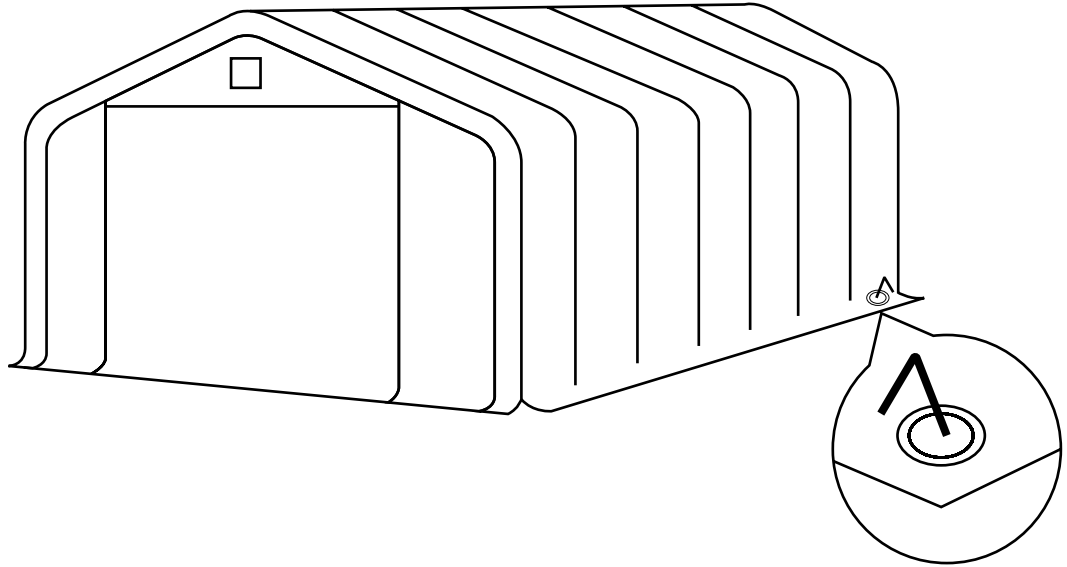
You facilitate the assembly and dismantling by pulling the roof with ropes over the tent frame. steel clips to fasten the cover to the frame. In each section use brackets and nails to fasten the frame to the ground.



# 8x12m Storage Tent

## V

Spread the wall panel and door panel attach to framework by using the bungee cords clasp the frame to grommet that is construct over the wall panel and door panel to ensure stability. Also use the short pegs to fix the doors to the ground.



## Warning

---

1. In order to avoid the pipes from being rusted by air, the pipes are covered with oil on the surface. Before you set up the tent, please remove the oil carefully first to keep the cover clean.
2. Take note that the tent needs to be handled carefully to avoid damage.
3. Do not use force on the frame as the pipes might be damaged in the process.
4. Tents are meant as temporary shelter and must be evacuated under extreme weather conditions.  
Please select a suitable site for the tent to avoid the damage to underground sprinkler systems, water, gas or electrical lines.



# DANCOVER<sup>®</sup>

.com

## Contact information

### Head office:

Dancover A/S  
Nordre Strandvej 119 G  
3150 Hellebæk  
Denmark

For more information  
please visit:  
[www.dancovershop.com](http://www.dancovershop.com)

## National contact

Denmark: 70 26 76 20  
[denmark@dancover.com](mailto:denmark@dancover.com)

UK: 020 8099 7570  
[uk@dancover.com](mailto:uk@dancover.com)

Germany: 041 0266 7040  
[germany@dancover.com](mailto:germany@dancover.com)

France: 0975 181 800  
[france@dancover.com](mailto:france@dancover.com)

Sweden: 040 233 262  
[sverige@dancover.com](mailto:sverige@dancover.com)

Finland: 0 931 581 720  
[suomi@dancover.com](mailto:suomi@dancover.com)

Poland: 22 300 8602  
[polska@dancover.com](mailto:polska@dancover.com)

Luxembourg: +49 041 0266 7040  
[luxembourg@dancover.com](mailto:luxembourg@dancover.com)

Portugal: 308 800 899  
[portugal@dancover.com](mailto:portugal@dancover.com)

Spain: 911 436 828  
[espana@dancover.com](mailto:espana@dancover.com)

Italy: 02 479 21 198  
[italia@dancover.com](mailto:italia@dancover.com)

Switzerland: 0840 000125  
[schweiz@dancover.com](mailto:schweiz@dancover.com)

Austria: 0662 626935  
[austria@dancover.com](mailto:austria@dancover.com)

Norway: 231 00 690  
[norge@dancover.com](mailto:norge@dancover.com)

Nederland: 0 858 880 524  
[nederland@dancover.com](mailto:nederland@dancover.com)

Ireland: 0 151 33 003  
[ireland@dancover.com](mailto:ireland@dancover.com)

Belgium: 0 28 08 08 09  
[belgique@dancover.com](mailto:belgique@dancover.com)