

DANCOVER[®]



Manual
for
Titanium Tent
6x6x3,5x5,5m

DANCOVER[®]

.com

Safety Advice

Attention

In some countries approval is needed to set up a marquee/tent larger than 75 m². It is your responsibility to comply with local rules and regulations and to ensure that the marquee/tent is assembled correctly.

In case of bad weather conditions, it is your responsibility to ensure the marquee/tent is safely secured and that the marquee/tent does not cause damage to others.

Do not use open fire, welding equipment or other sources which can ignite, inside or close to the tent.

The marquee/tent must be safely secured. We recommend you secure your marquee/tent with straps and pegs as soon as it is assembled.

Make sure to check if the marquee/tent is covered by your home contents insurance.

Marquees/tents must be evacuated under extreme weather conditions.

In the event of snow, always remove snow from the roof of the marquee/tent regularly to prevent snow from building on the roof, as heavy snow can cause the marquee/tent to collapse.

In the event of rain, there is a risk of rain puddles building up on top of the roof of the marquee/tent. Heavy rain puddles can cause the roof to collapse. It is your responsibility to ensure rain puddles do not build up. As a precaution, make sure the roof of the marquee/tent is stretched out properly and adequately over the side frames of the marquee/tent and remove rain water regularly.

Do not unpack or repack your marquee/tent in freezing temperatures. In case of temperatures below zero, always unpack and repack your marquee/tent indoors to avoid the risk of cracking parts.

The marquee/tent must be totally dry before you repack and store it to avoid mildew.

Note: Marquees are intended for events and other arrangements and are as such only meant for short term temporary assembly and the following disassembly. Dancover warranty applies only to the normal use of the Product, normal wear and tear excepted, in accordance with written use instructions or manual. The warranty does not apply to damage caused by accident, abuse, misuse, or modification of the Product.

Warranty Information

Please visit dancovershop.com for information on warranty.

Please always check our website for the latest safety advice and manual.

Assembly Procedures

1. Please place sidewalls with flanges as per Figure 1. Please be sure that the diagonals are equal. In the meanwhile you can strike stake pegs into ground through holes in the base flanges if the ground condition is suitable.
2. Put each sidewall with base flange on the ground. According to Figure 3 please connect the upper vertical sidewall to the lower sidewall with base flange by screw, then connect the curved roof tubes to them accordingly.
3. Make each group of frame straight and assemble the roof purlins and horizontal walls in turn. Make sure that all screws are tightened enough.
4. Assemble the cross tubes in front and back wall including the tensioning tube for covers at the bottom.
5. Please put the roof cover evenly on the frame. Please fix by ropes the bottom both sides of roof cover onto the bottom tensioning tubes at the both side of frame as per Figure 5.
6. Then please put the rope in the sleeves at the two ends of roof cover into rings on the base flange. Tighten the ropes and knot the ropes as per figure 6.
7. Put on the front and back cover on to the front and back wall by ropes. In the meanwhile fix the bottom of the covers to the bottom tensioning tubes.
8. Please connect and tighten ropes between roof cover and front & back cover.

Your assembly is complete.

Assembly Illustration

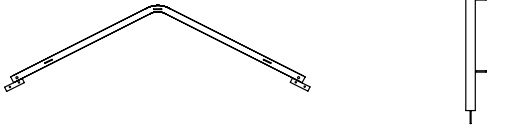
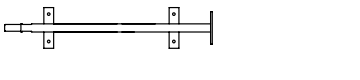
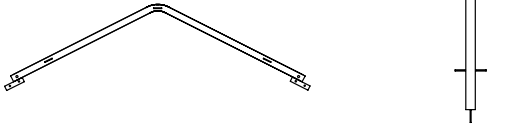

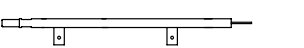

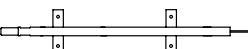


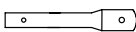
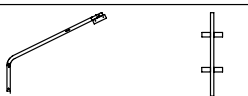
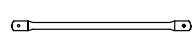
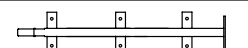
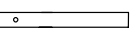

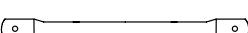

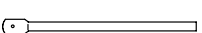
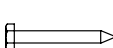
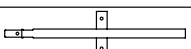
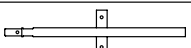
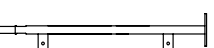
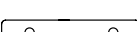

For “user friendly” assembly we have identified each individual component with our partcode number as indicated in the part list.

Please refer to the part code number and drawings to ensure problem free assembly.

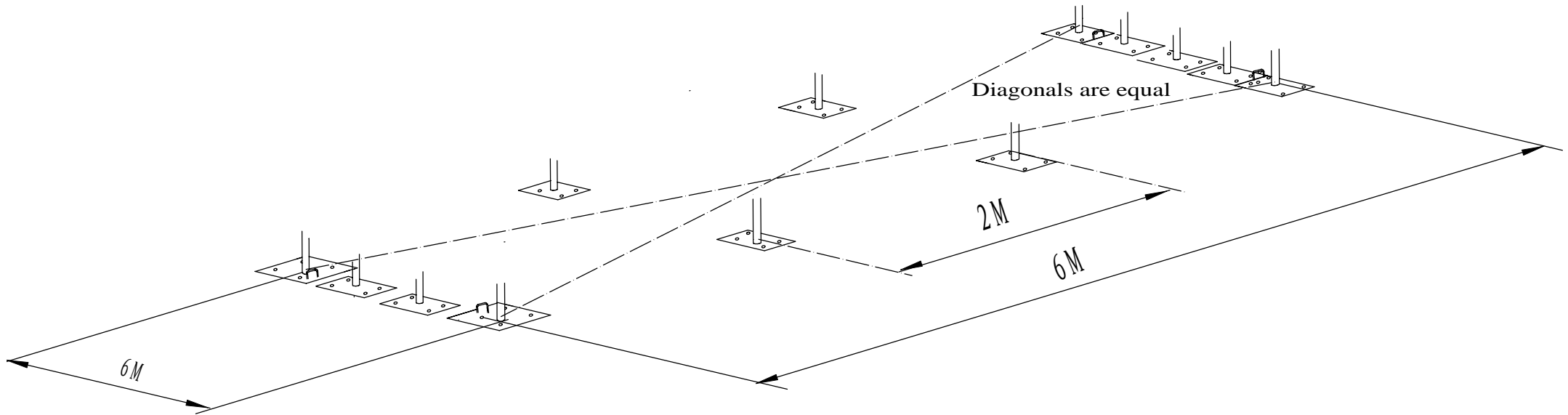
Part List (W6xL6xSidewall3.5xH5.5M) with 3.5x3.5M machining door

Part No.	Description	Qty(pcs)
1	Curved Roof Tube (top) at two ends & tube size:1148mm	2
2	Curved Roof Tube (top) in the middle & tube size:1148mm	2
3	Straight Roof Tube at two ends & tube size:1787mm	4
4	Straight Roof Tube in the middle & tube size:1787mm	4
5	Curved Roof Tube (side) at two ends & short tube:660mm, long tube:1400mm	4
6	Curved Roof Tube (side) in the middle & short tube:660mm, long tube:1400 mm	4
7	Sidewall(in the middle) with base flange & tube size:2100mm	4
8	Sidewall(at two ends) with base flange & tube size:2100mm	4
9A-1	Upper Standing Legs in front panel & tube size:2124mm	2
9A-2	Upper Standing Legs in back panel & tube size:2124mm	2
9A-3	Upper Standing Legs in back panel(middle leg) & tube size:1398mm	1
9A-4	Middle Standing Legs in back panel(middle leg) & tube size:1900mm	1
9B	Lower Standing Legs with base flange in front and back panel & tube size:2100mm	4
9C	Lower Standing Legs with base flange in back panel(middle leg) & tube size: 2100mm	1
10	Roof purlin and horizon wall at both sides & tube size:1912mm	51
11A	Cross tube(at two ends) in front and back panel & tube size:1138mm	12
11A-1	Cross tube(middle) in back panel & tube size:1662mm	6
11B	Cross tube(middle) in front panel & tube size:1703.5mm	2
12A	Tensioning cross tube in top roof & tube size :2180mm	3
12B	Door dropping tube & 1850mm	2
13	Slant supporting tube & 2095mm	12
14	Roof cover	1
15	Front cover	1
16	Back cover	1
17	Stake peg & Dia 16x700mm	26
18	Rope for fixing cover	
19	Bolts with nuts M14x30	125
	M14x70	30
	M12x50	4
	M14x50	24
20	Inner join for cross tubes tubes & tube size:178mm	1
21	Inner join for part 11B and part 12B & tube size:400mm	1

W6XL6XS3.5XH5.5M(with3.5X3.5machining door)

Part No.	Diagram	Qty	Part No.	Diagram	Qty
1		2	9C		1
2		2	10		51
3		4	11A		12
4		4	11A-1		6
5		4	11B		2
6		4	12A		3
7		4	12B		2
8		4	13		12
9A-1		2	14.15.16	Roof/Front/Back cover	
9A-2		2	17		26
9A-3		1	18	Rope for fixing cover	
9A-4		1	19	M14X30	125
9B		4	19	M14X70	30
			19	M12X50	4
			19	M14X50	24
			20		1
			21		1

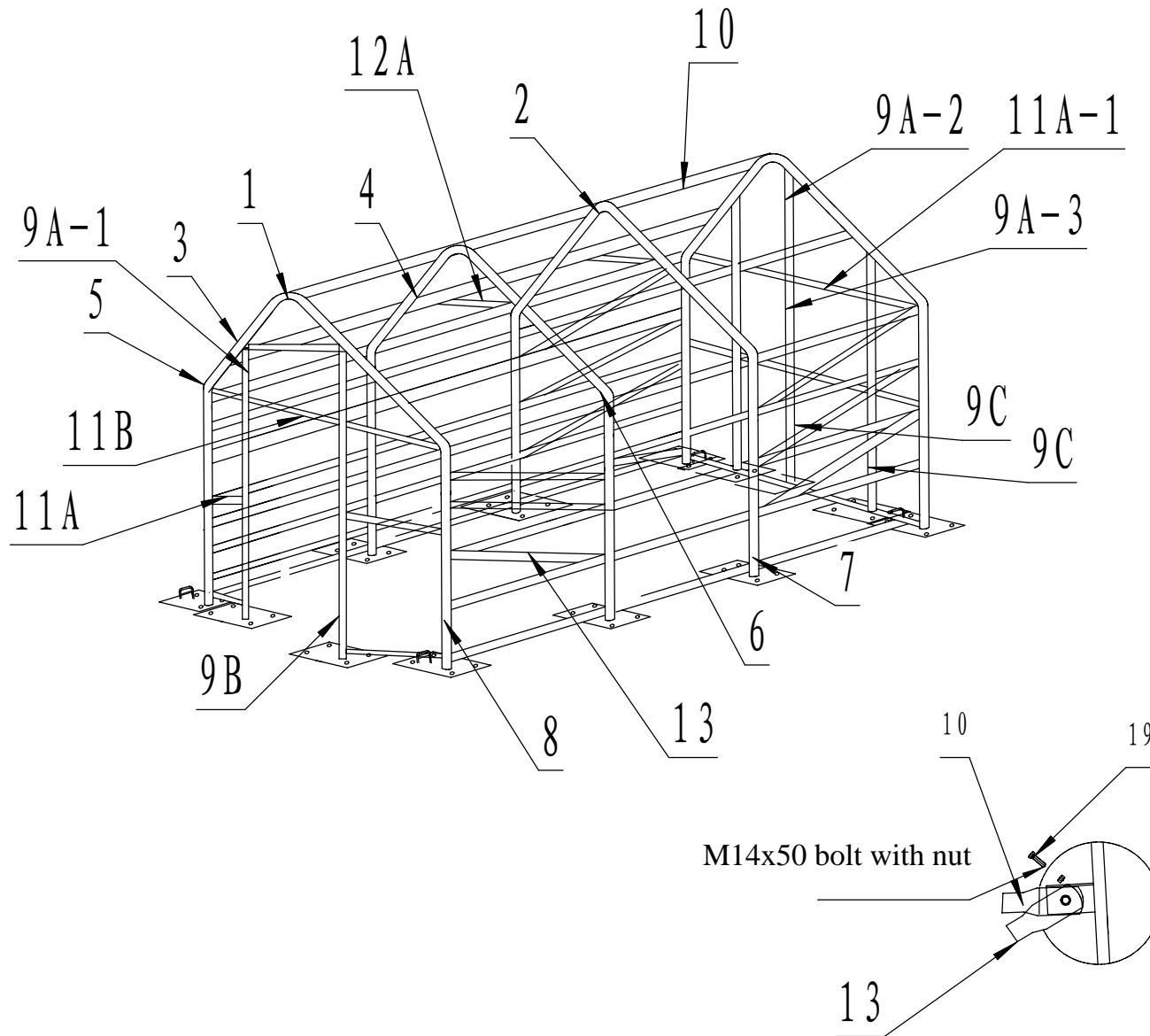
6x6x3.5x5.5m



Schematic drawing of placement for base flange

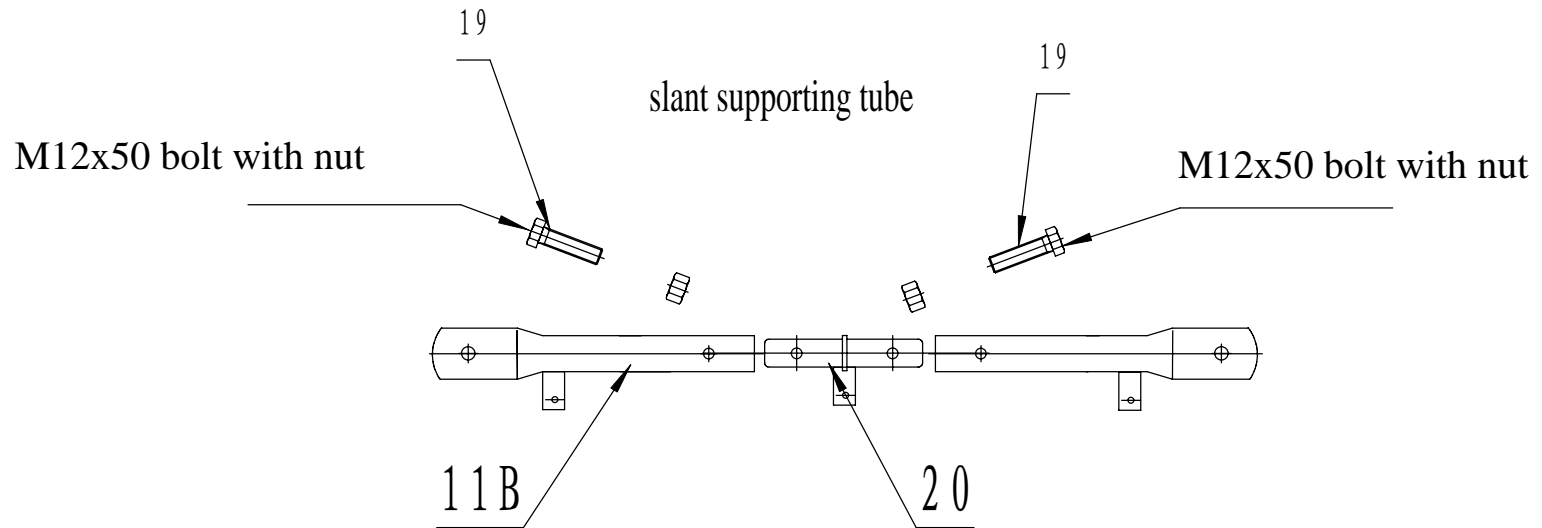
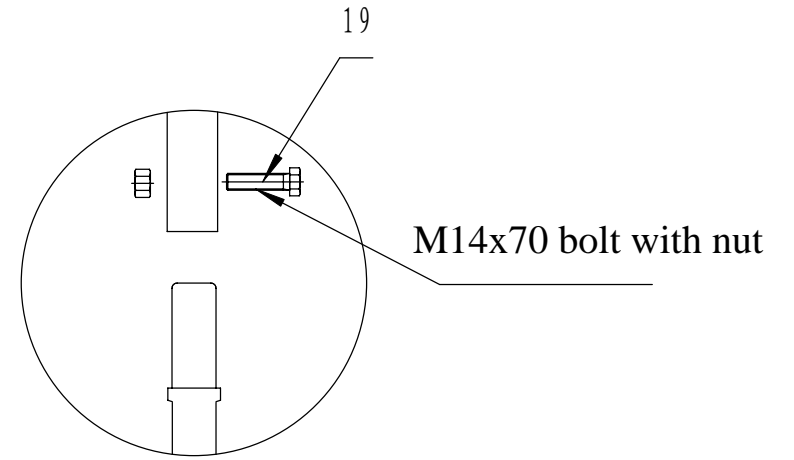
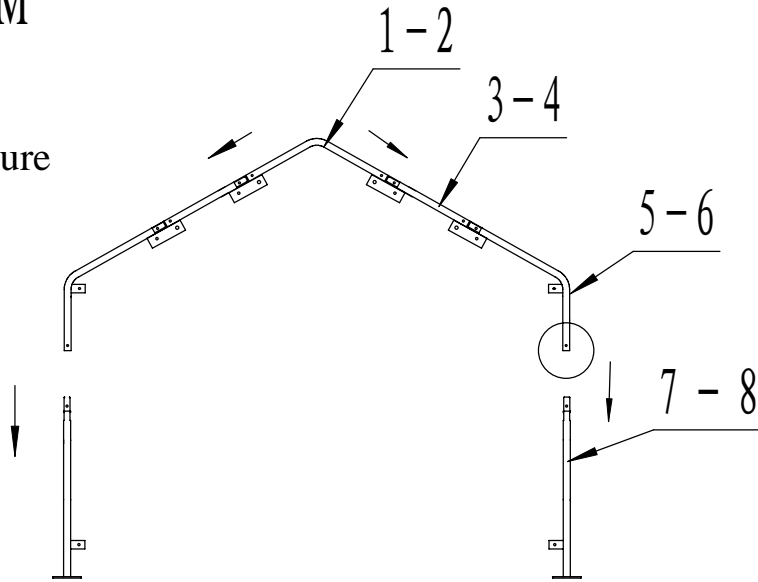
6x6x3.5x5.5M

Frame Sketch

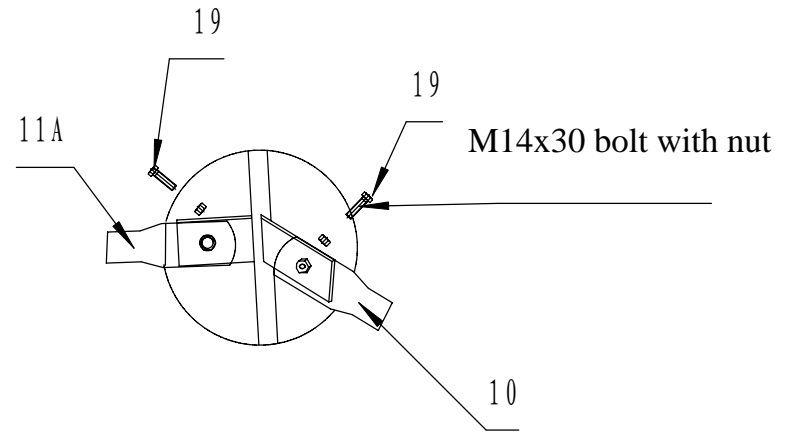
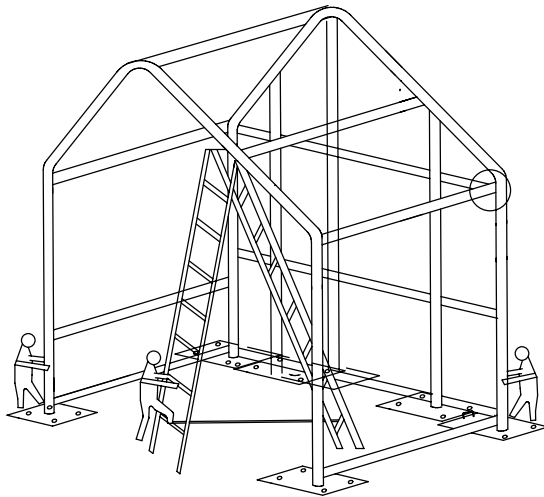


6x6x3.5x5.5M

Frame installation procedure
And connection hint

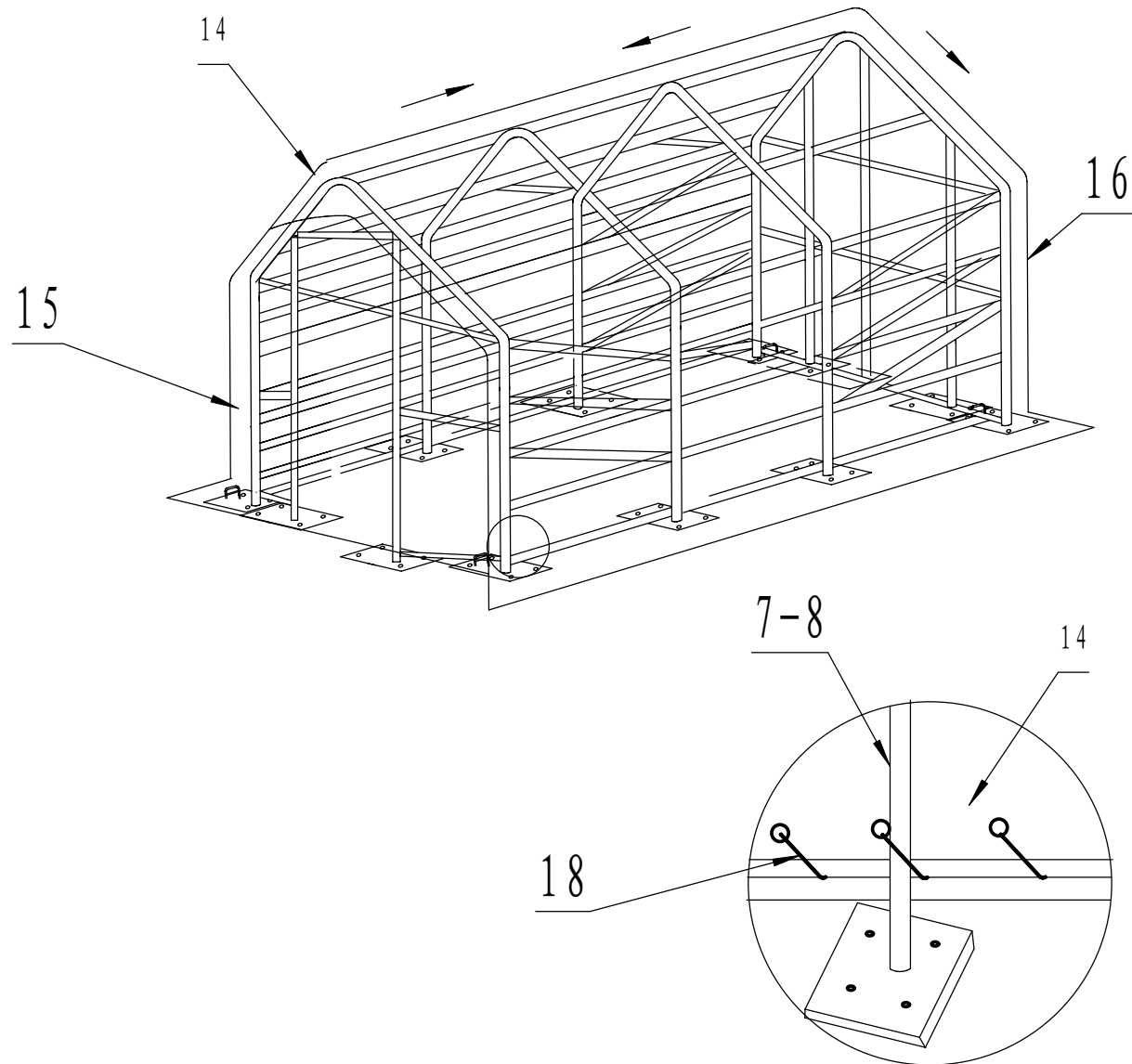


Frame connection hint



6x6x3.5x5.5M

Illustration for installation and tensioning both sides of roof cover



Hint of tensioning front and rear folds

Pls put the ropes in the roof cover pocket through the rings and pull hard the ropes.

At the same time pls tidy rumple on the folds.

Gradually, when the cover is well on the frame, pls knot the ropes on the rings as below show.

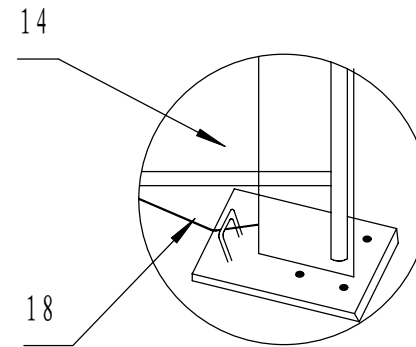
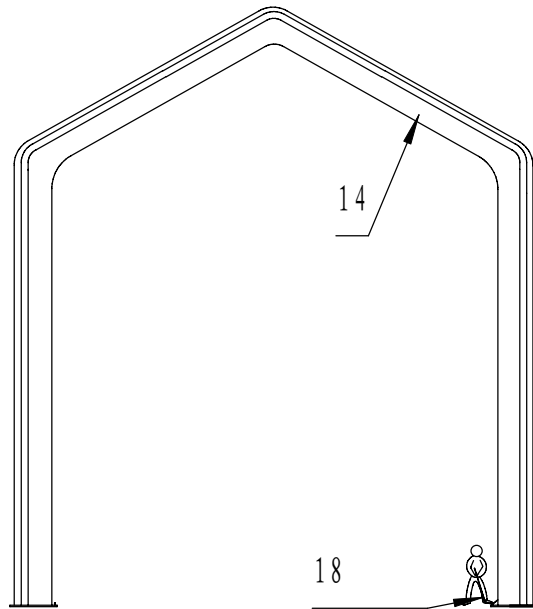
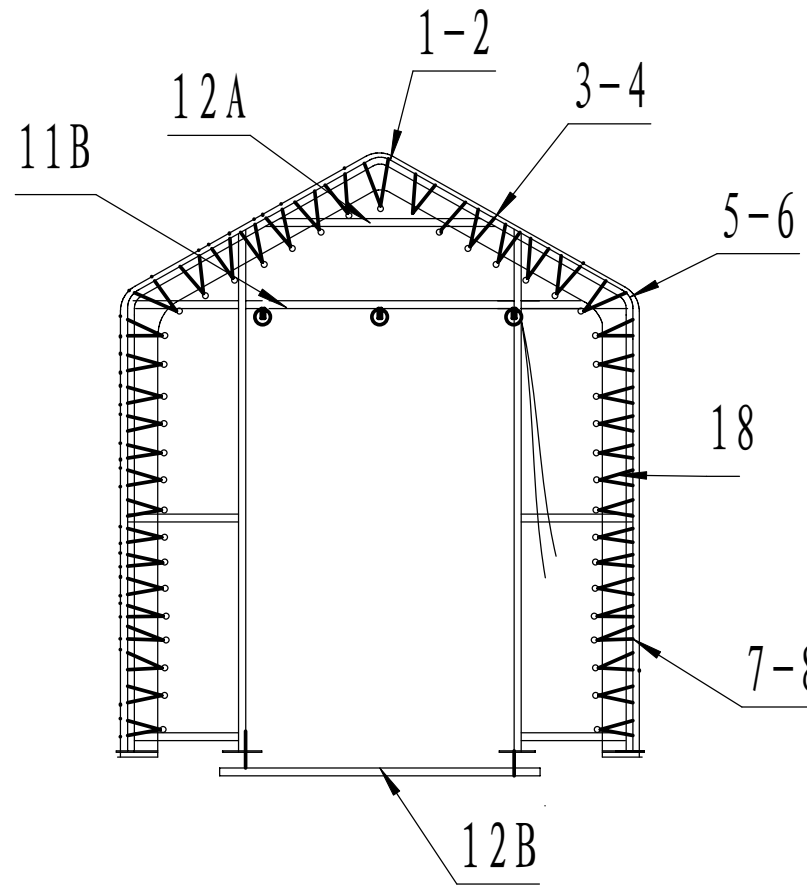


Illustration for installation of front cover.

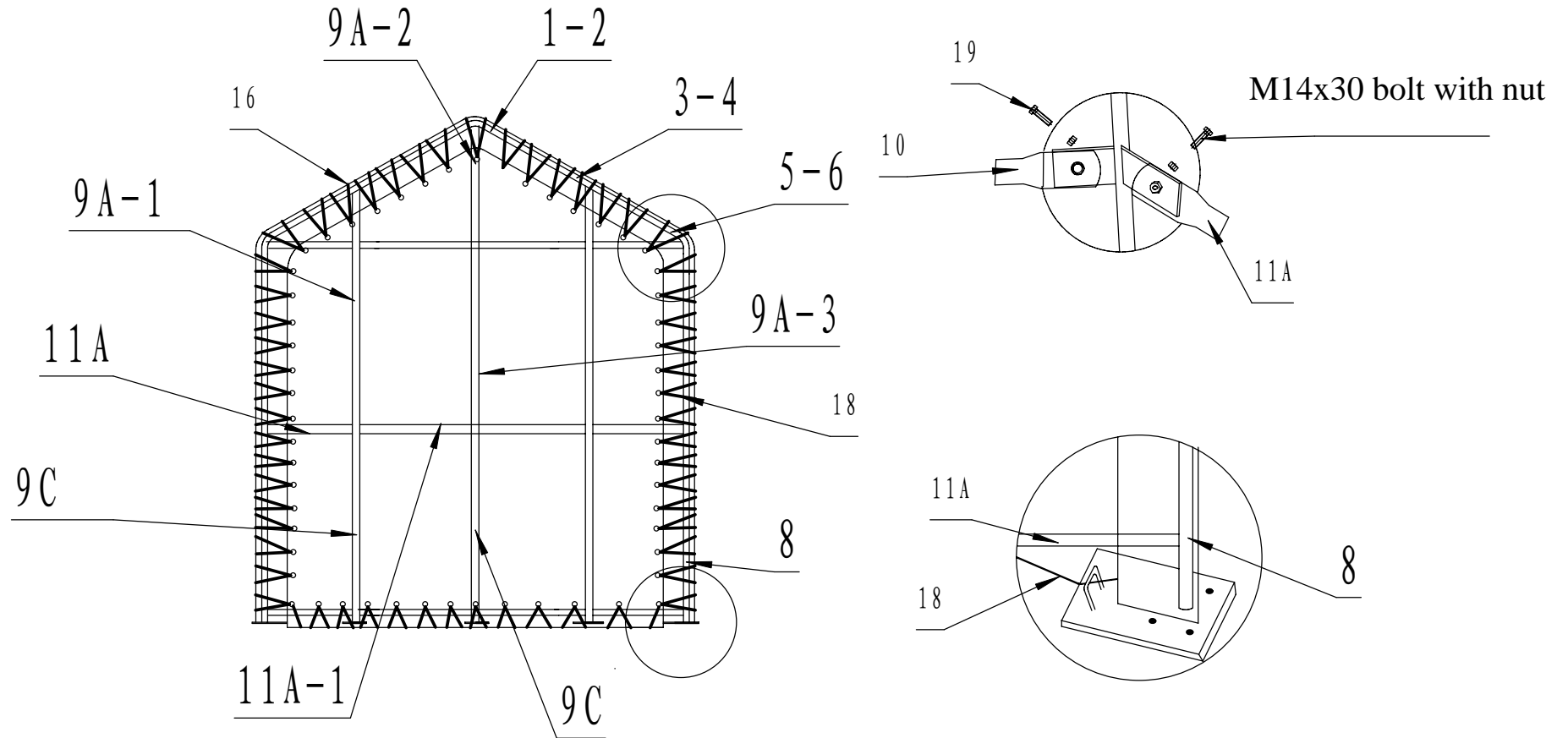
As below shows edges of front cover are secured to the frame by ropes.



As below shows the both sides and top

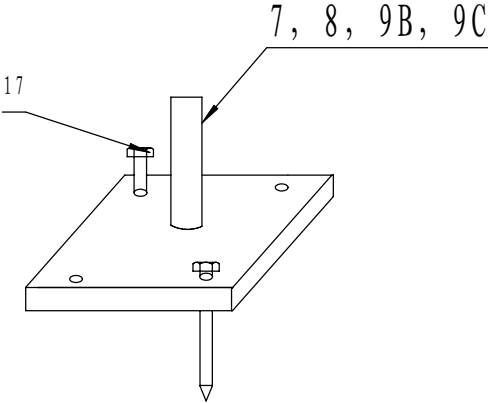
Part of rear cover are tightened to the frame by rope.

The bottom part of rear cover is fastened to the tensioning tube by rope as below shows.



6x6x3.5x5.5M

stake peg



Contact information

Head office:

Dancover A/S
Nordre Strandvej 119 G
3150 Hellebæk
Denmark

For more information
please visit:
www.dancovershop.com

National contact

Denmark: 70 26 76 20
denmark@dancover.com

UK: 020 8099 7570
uk@dancover.com

Germany: 041 0266 7040
germany@dancover.com

France: 0975 181 800
france@dancover.com

Sweden: 040 233 262
sverige@dancover.com

Finland: 0 931 581 720
suomi@dancover.com

Poland: 22 300 8602
polska@dancover.com

Luxembourg: +49 041 0266 7040
luxembourg@dancover.com

Portugal: 308 800 899
portugal@dancover.com

Spain: 911 436 828
espana@dancover.com

Italy: 02 479 21 198
italia@dancover.com

Switzerland: 0840 000125
schweiz@dancover.com

Austria: 0662 626935
austria@dancover.com

Norway: 231 00 690
norge@dancover.com

Nederland: 0 858 880 524
nederland@dancover.com

Ireland: 0 151 33 003
ireland@dancover.com

Belgium: 0 28 08 08 09
belgique@dancover.com