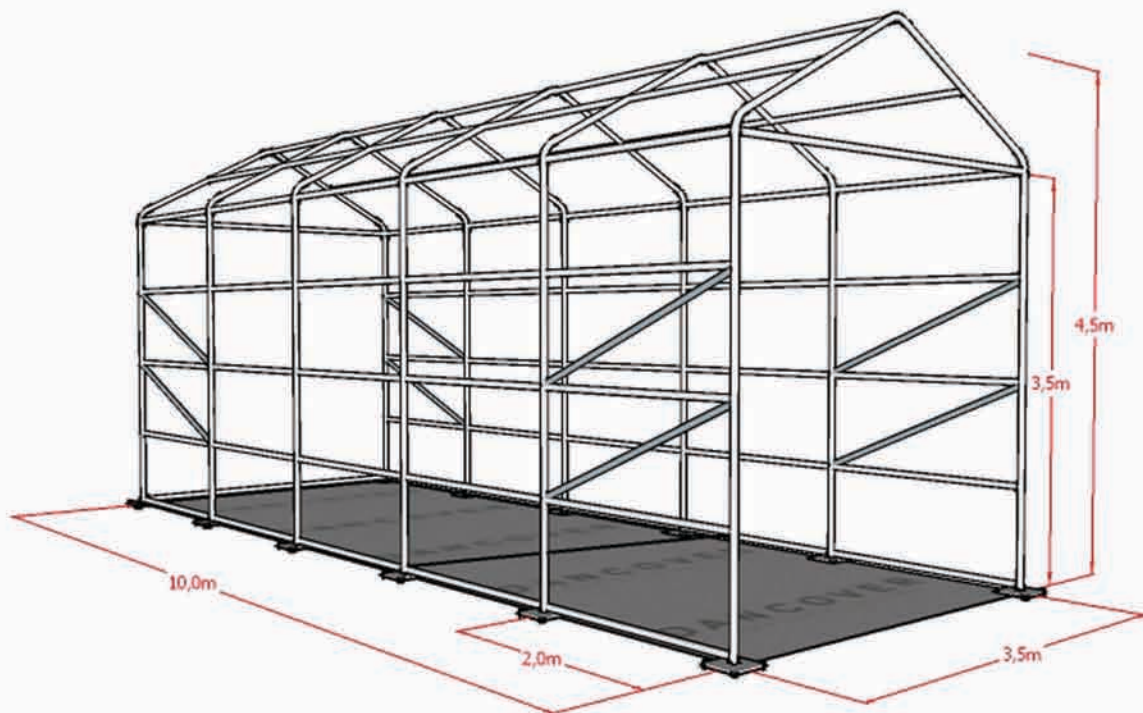


Titanium:  
3,5x8x3x4  
3,5x10x3,5x4,5  
3,5x12x3,5x4,5



## Assembly Manual

## Table of content.

1. FrontPage.
2. Table of content.
3. List of parts.
4. Assembly.
7. Mounting the covers.
9. Contact Information.

Part list for Titanium 3,5x8x3x4/3,5x10x3x4/3,5x12x3x4

Part Number	Description	Qty. (pc.)
1	Curved roof tube (top) at two ends	2/2/2
2	Curved roof tube (top) in the middle	3/4/5
3	Curved roof tube (side) at two ends	4/4/4
4	Curved roof tube (side) in the middle	6/8/10
5	Lower sidewall with base plate (middle)	6/8/10
6	Lower sidewall with base plate (ends)	4/4/4
7	Upper side wall (middle)	6/8/10
8	Upper side wall (ends)	4/4/4
9	Roof purlins and horizontal wall at both sides	52/65/78
10	Cross tube in front and back panel	8/8/8
11	Slant supporting tube	8/8/8
12	Roof cover	1
13	Front cover	1
14	Back cover	1
15	Stake peg	44/48/52
16	Rope for fixing cover	
17	Bolts M14x30	104/154/204
	M14x70	30/36/42
	M12x50	16/16/16
	M14x50	8/8/8
18	Inner joints for cross tubes and slant supporting tubes.	8/8/8

## Assembly.

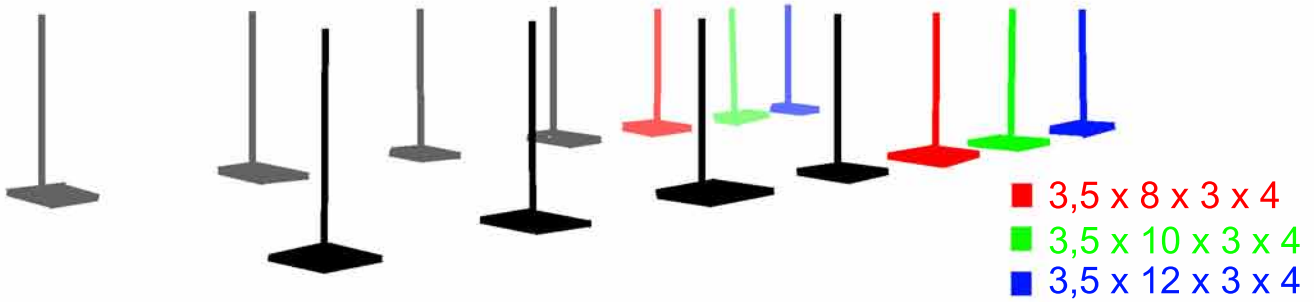


Figure 1

### Step #1:

Place base plates as shown in figure #1. Make sure that diagonals are equal in length. Secure base plates with stake pegs. Make sure to use at least 2 stake pegs per base plate and drive them into the ground so they cross each other as shown in figure #3.

### Step #2:

Assemble two sidewalls and connect them as shown in figure #2. Make sure that all bolts are secured tightly and placed from the outside and in, to avoid damage on the cover. Figure 3 and 4 shows how joints should be assembled, both shown from inside.

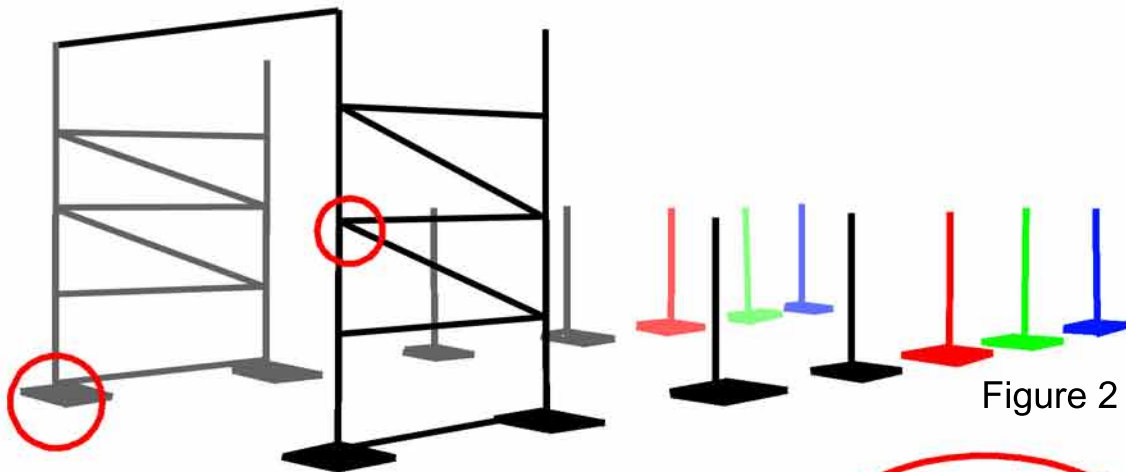


Figure 2

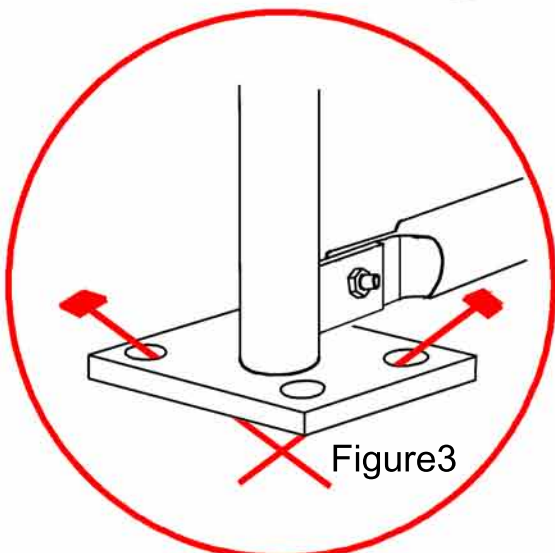


Figure 3

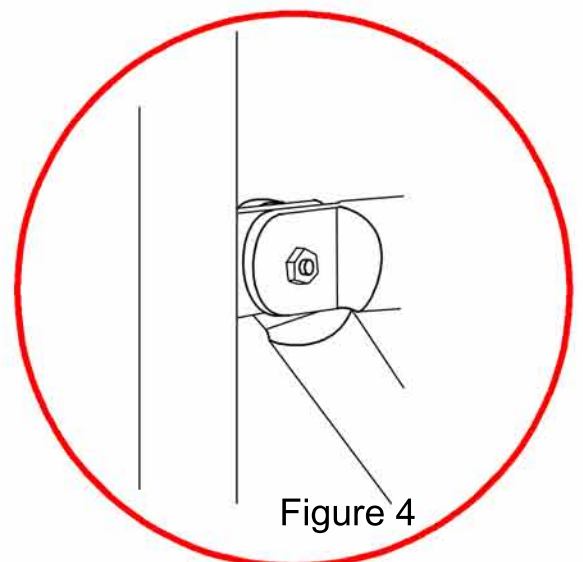


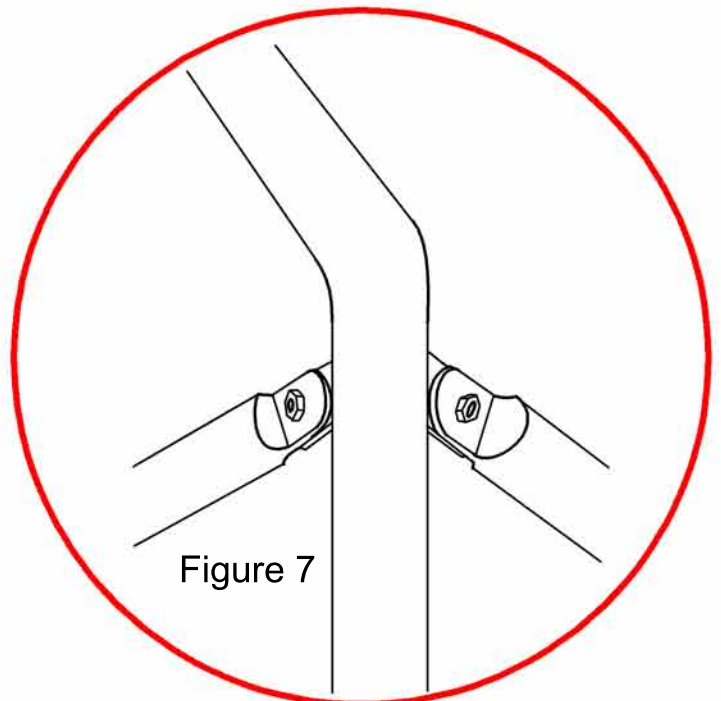
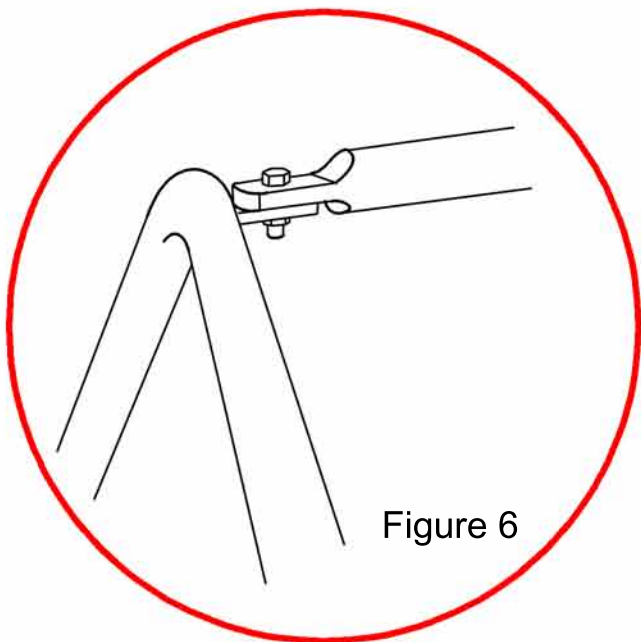
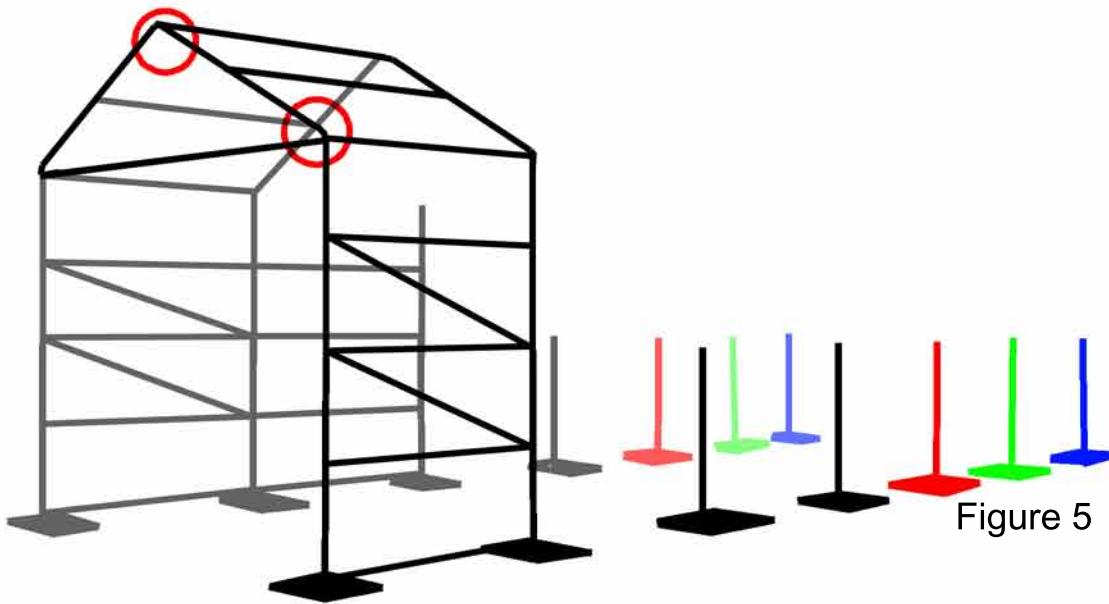
Figure 4

### Step #3:

Connect the two sidewalls with the curved roof tubes. Then connect these with the horizontal bars as shown in figure # 5. Figure #6 and #7 show how joints are supposed to be assembled.

### Step #4:

Assemble the next two sidewalls in extension of the already erected sides as shown



## Step # 5

Repeat steps #3 and #4 until the entire frames has been erected. Note that you have to install windcrosses in the sidewall sections closest to the corners. (see Figure #4). It should look like figure #8.

## Step #6:

Make sure that all bolts are inserted from the outside in before proceeding with the cover. Make sure all foot plates are secured to the ground.

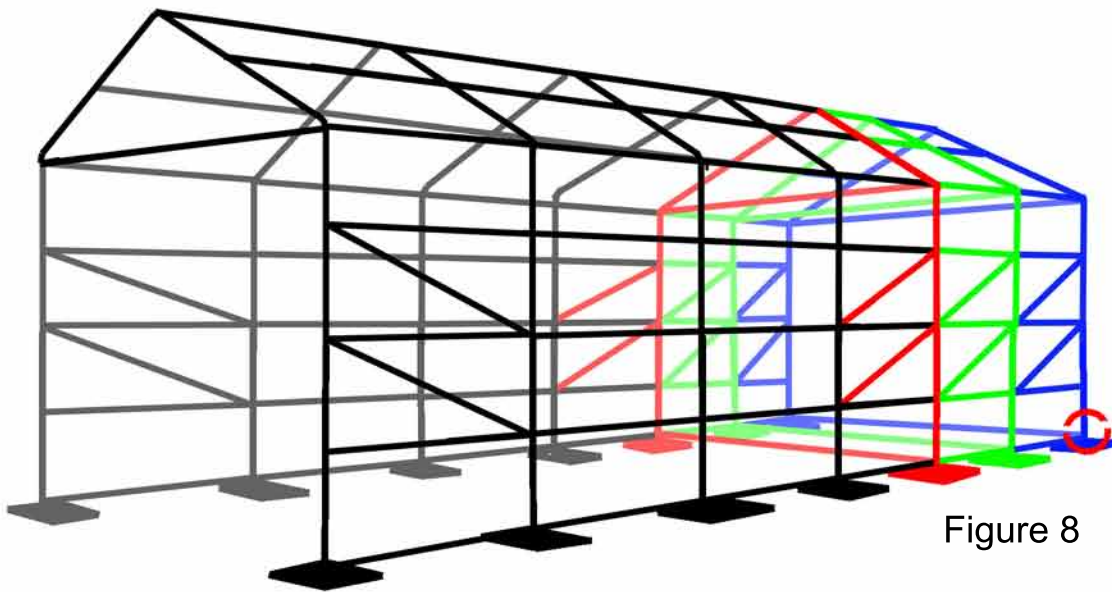


Figure 8

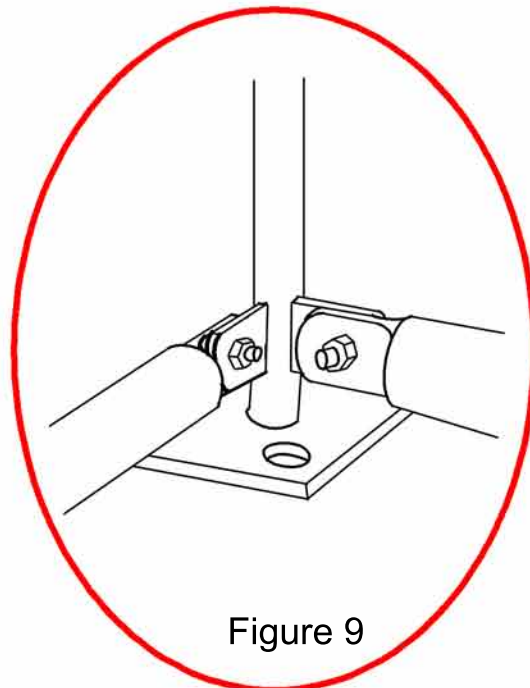


Figure 9

## Mounting the Cover

### Step #7

Tie in a crossbeam in one side of the cover. as shown in figure # 10.

### Step #8

Pull the cover over the top of the structure using 3 ropes tied to the crossbeam.

See figure # 11

### Step #9:

Make sure that the cover sits on evenly on both sides of the frame.

### Step #10:

Tie the cover to the bottom tensioning bar. Make sure that it is tightened.

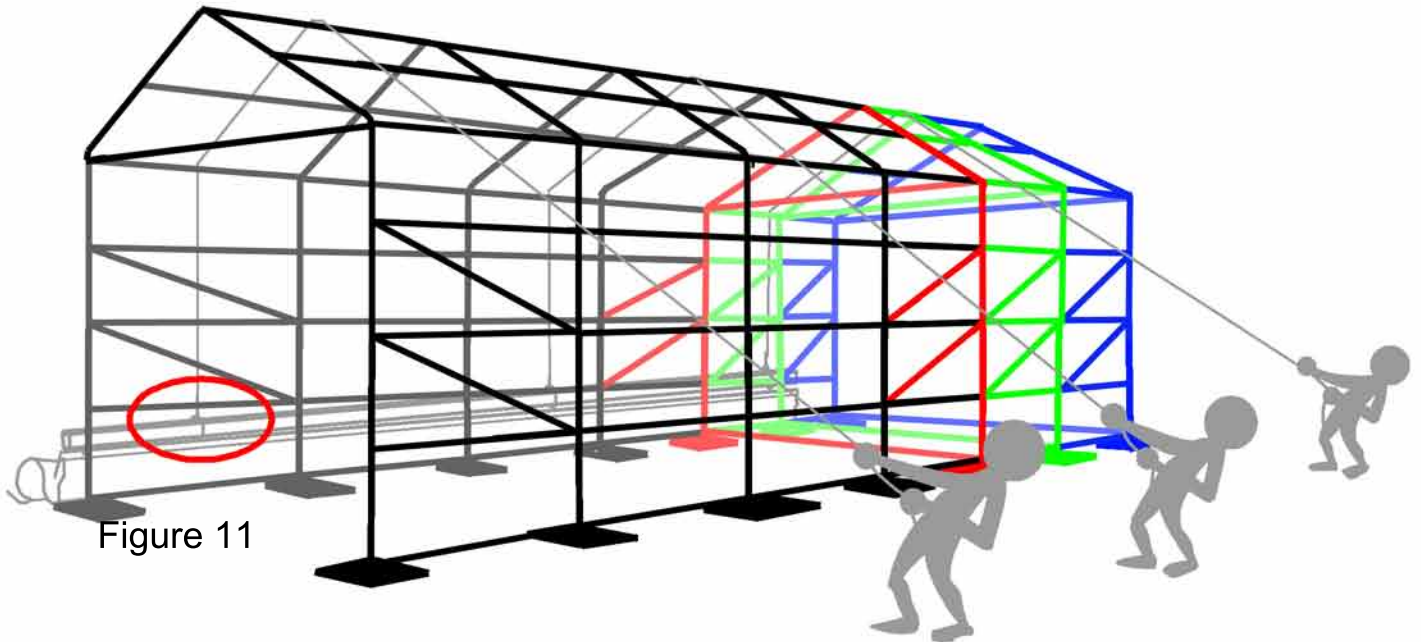


Figure 11

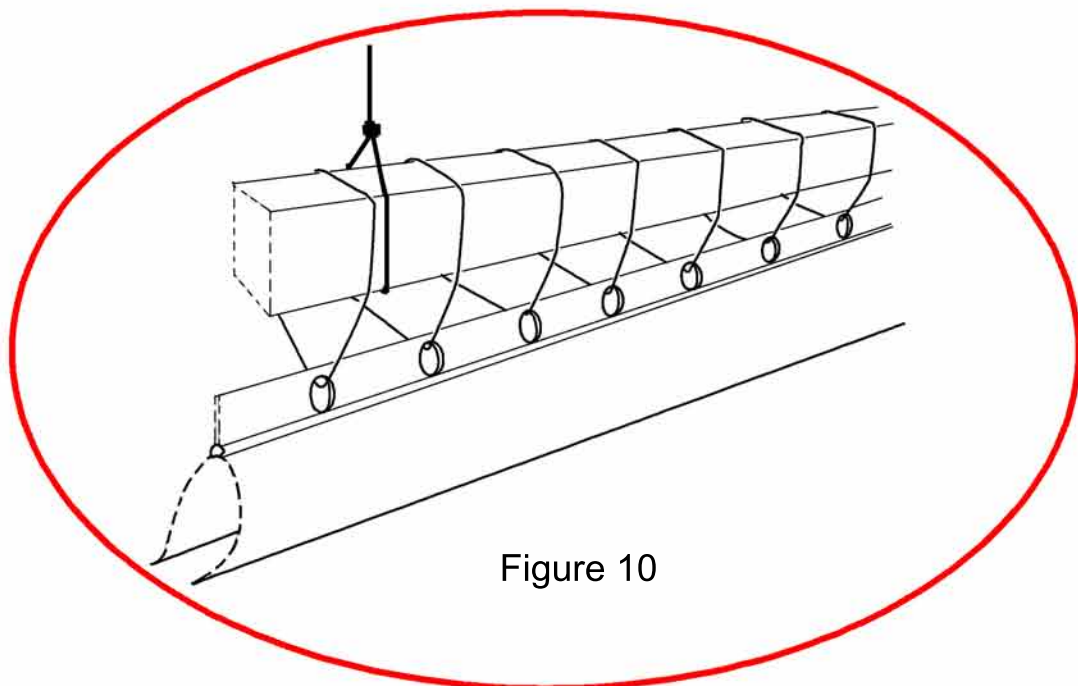


Figure 10

## Step # 11:

Mount the front and the back cover by weaving the rope around the bars as shown in figure # 12 and # 13. Do the same with the roof cover. Make sure to use one rope for each covers.

## Step # 12:

Make sure that the edge of the roof cover overlaps the front/back cover (over the end bars) as shown in figure #14. Slide a rope through the end sleeves and tighten the rope through the hoops of the corner footplates.

## Step # 13:

Make sure all ropes are secured and tight.

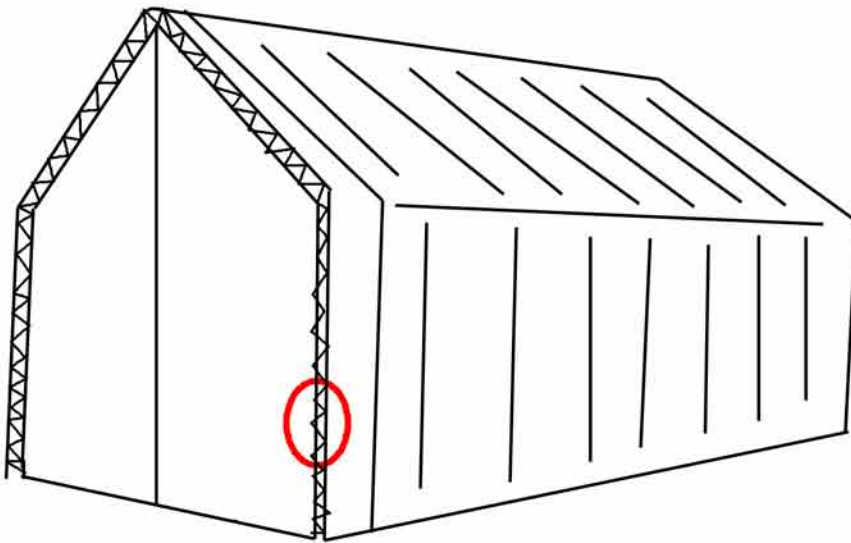


Figure 12

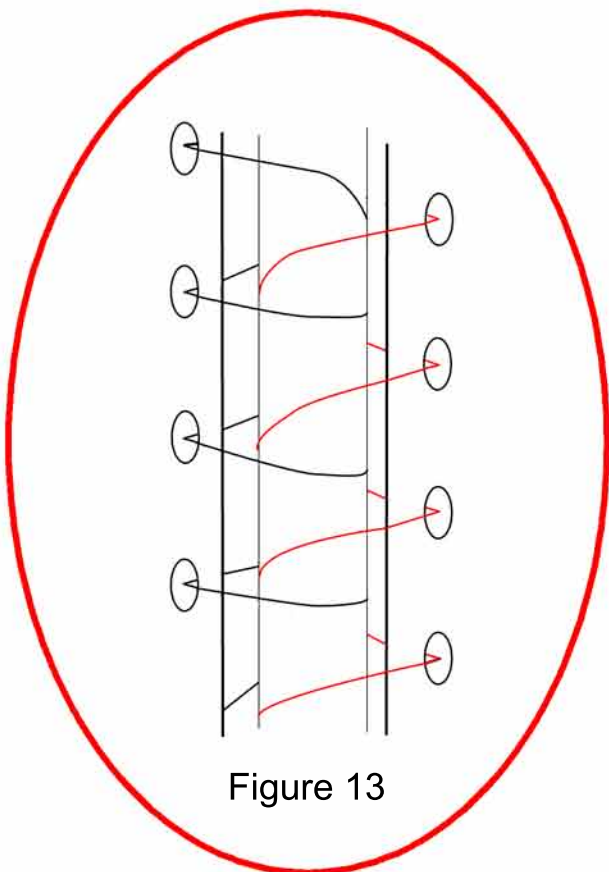


Figure 13

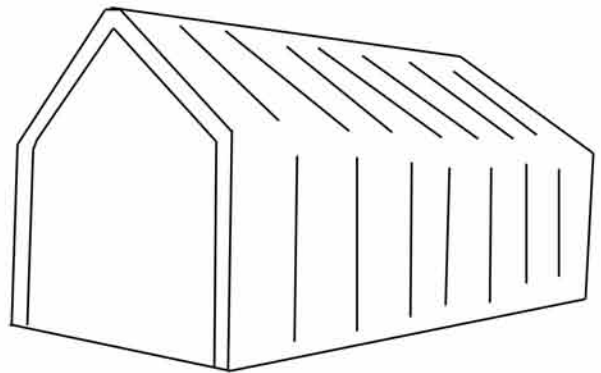


figure 14



## Contact Information.

Dancover UK

Tel. 020 722 102 20

Fax. (+45) 70 26 76 30

E-mail: [mail@dancover.co.uk](mailto:mail@dancover.co.uk)

VAT NO. 894 5631 80

For warranty/claims please fill out our form at:

<http://www.dancovershop.com/info.asp?text=5>

And we will get back to you as soon as possible.