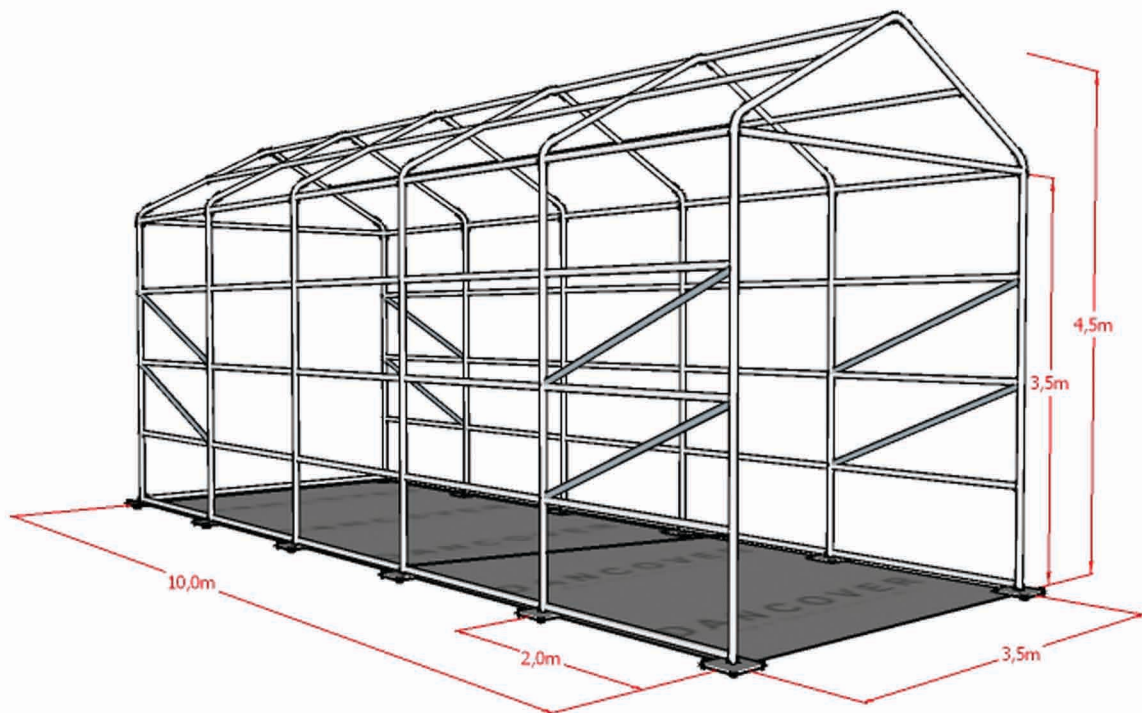


Titanium:
3,5x8x3x4
3,5x10x3,5x4,5
3,5x12x3,5x4,5



Assembly Manual

Table of content.

1. FrontPage.
2. Table of content.
3. List of parts.
4. Assembly.
7. Mounting the covers.
9. Contact Information.

Part list for Titanium 3,5x8x3x4/3,5x10x3x4/3,5x12x3x4

Part Number	Description	Qty. (pc.)
1	Curved roof tube (top) at two ends	2/2/2
2	Curved roof tube (top) in the middle	3/4/5
3	Curved roof tube (side) at two ends	4/4/4
4	Curved roof tube (side) in the middle	6/8/10
5	Lower sidewall with base plate (middle)	6/8/10
6	Lower sidewall with base plate (ends)	4/4/4
7	Upper side wall (middle)	6/8/10
8	Upper side wall (ends)	4/4/4
9	Roof purlins and horizontal wall at both sides	52/65/78
10	Cross tube in front and back panel	8/8/8
11	Slant supporting tube	8/8/8
12	Roof cover	1
13	Front cover	1
14	Back cover	1
15	Stake peg	44/48/52
16	Rope for fixing cover	
17	Bolts M14x30	104/154/204
	M14x70	30/36/42
	M12x50	16/16/16
	M14x50	8/8/8
18	Inner joints for cross tubes and slant supporting tubes.	8/8/8

Assembly.

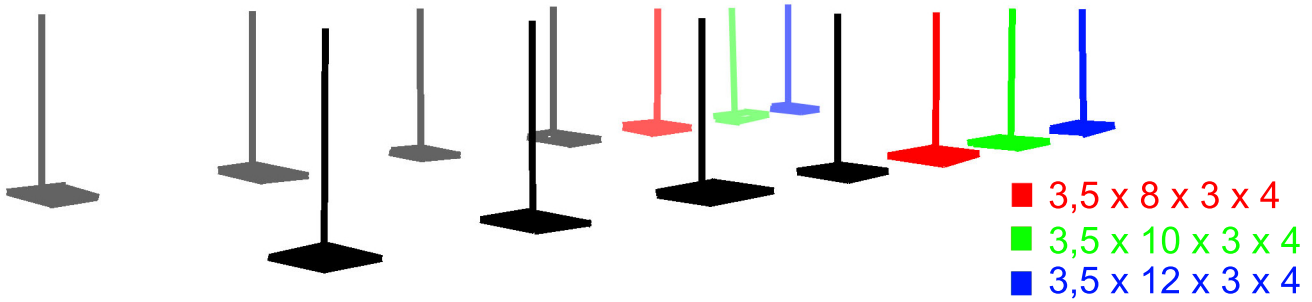


Figure 1

Step #1:

Place base plates as shown in figure #1. Make sure that diagonals are equal in length. Secure base plates with stake pegs. Make sure to use at least 2 stake pegs per base plate and drive them into the ground so they cross each other as shown in figure #3.

Step #2:

Assemble two sidewalls and connect them as shown in figure #2. Make sure that all bolts are secured tightly and placed from the outside and in, to avoid damage on the cover. Figure 3 and 4 shows how joints should be assembled, both shown from inside.

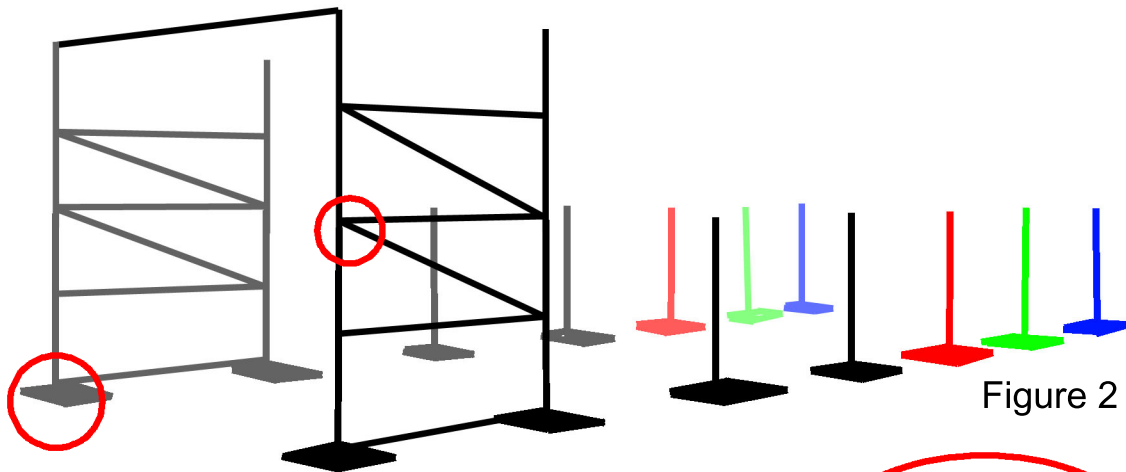


Figure 2

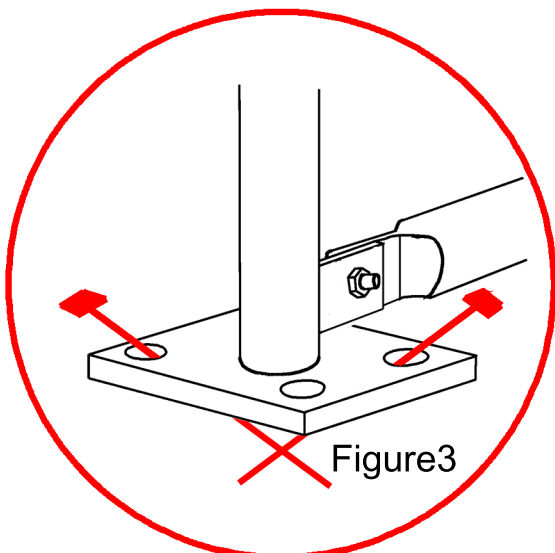


Figure 3

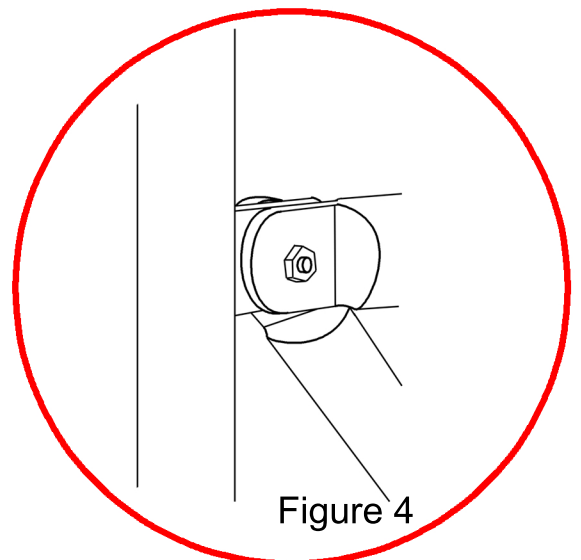


Figure 4

Step #3:

Connect the two sidewalls with the curved roof tubes. Then connect these with the horizontal bars as shown in figure # 5. Figure #6 and #7 show how joints are supposed to be assembled.

Step #4:

Assemble the next two sidewalls in extension of the already erected sides as shown

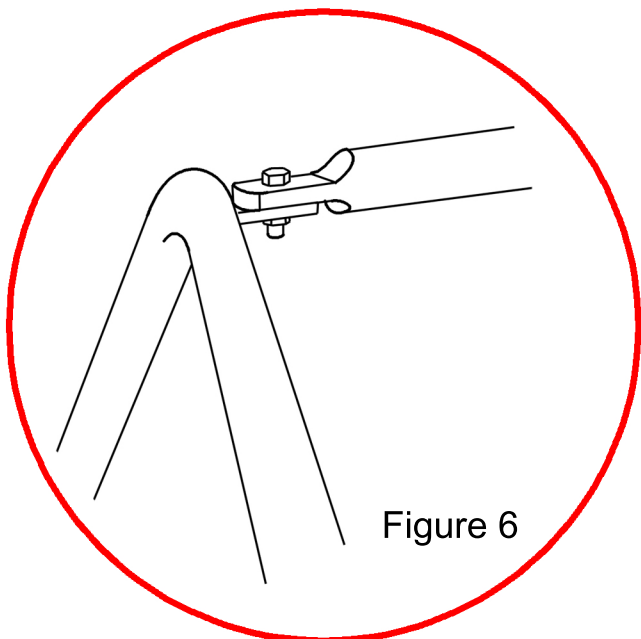
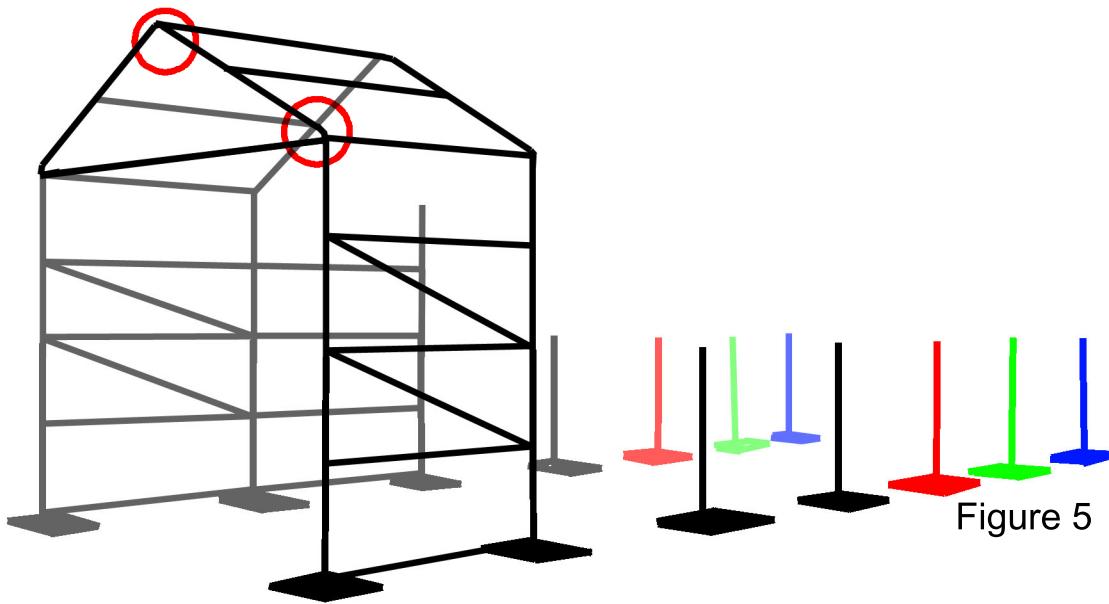


Figure 6

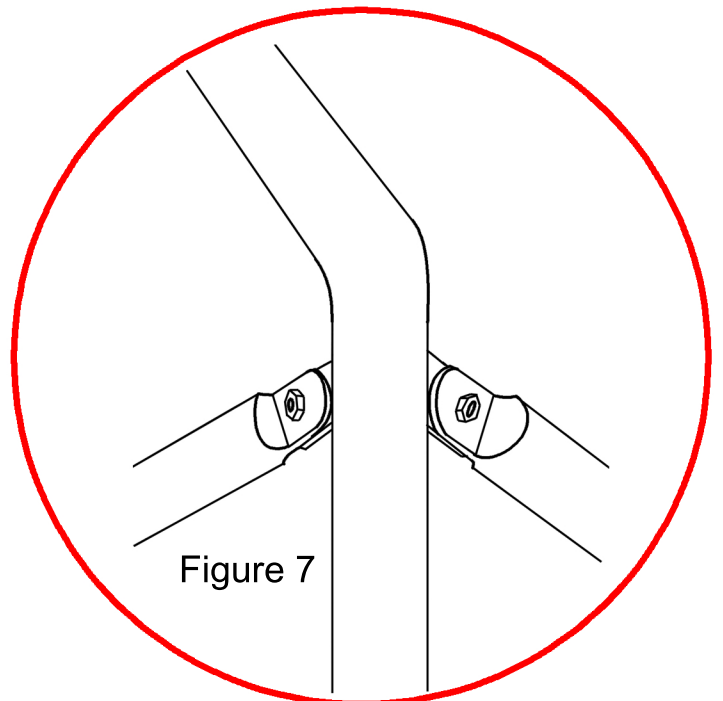


Figure 7

Step # 5

Repeat steps #3 and #4 until the entire frames has been erected. Note that you have to install windcrosses in the sidewall sections closest to the corners. (see Figure #4). It should look like figure #8.

Step #6:

Make sure that all bolts are inserted from the outside in before proceeding with the cover. Make sure all foot plates are secured to the ground.

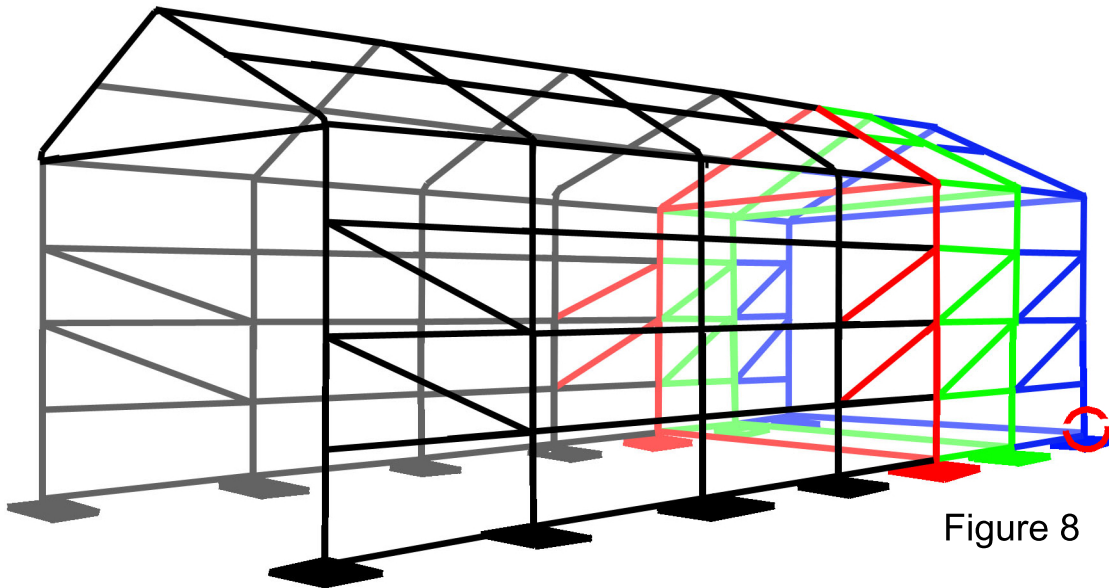


Figure 8

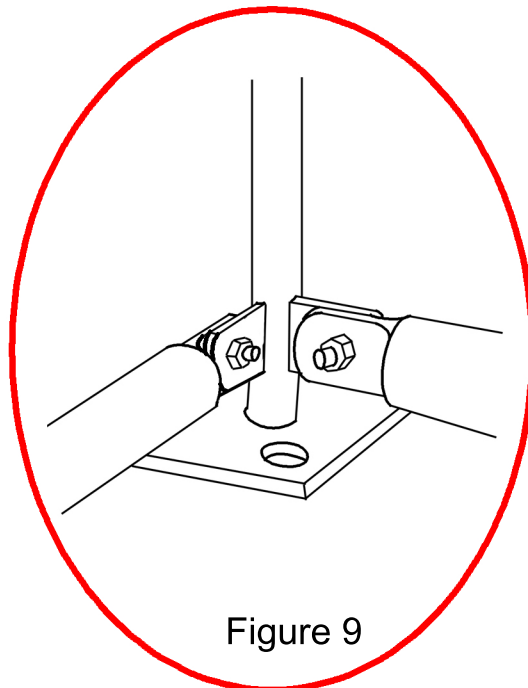


Figure 9

Mounting the Cover

Step #7

Tie in a crossbeam in one side of the cover. as shown in figure # 10.

Step #8

Pull the cover over the top of the structure using 3 ropes tied to the crossbeam.

See figure # 11

Step #9:

Make sure that the cover sits on evenly on both sides of the frame.

Step #10:

Tie the cover to the bottom tensioning bar. Make sure that it is tightened.

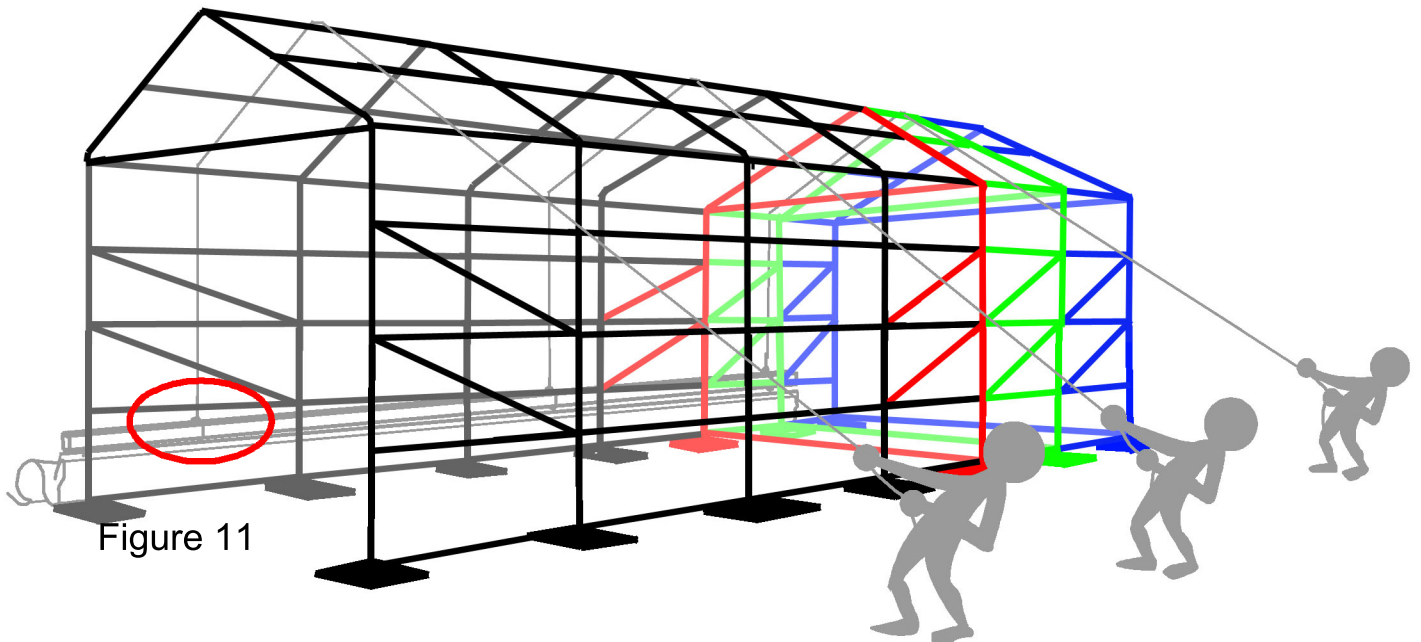


Figure 11

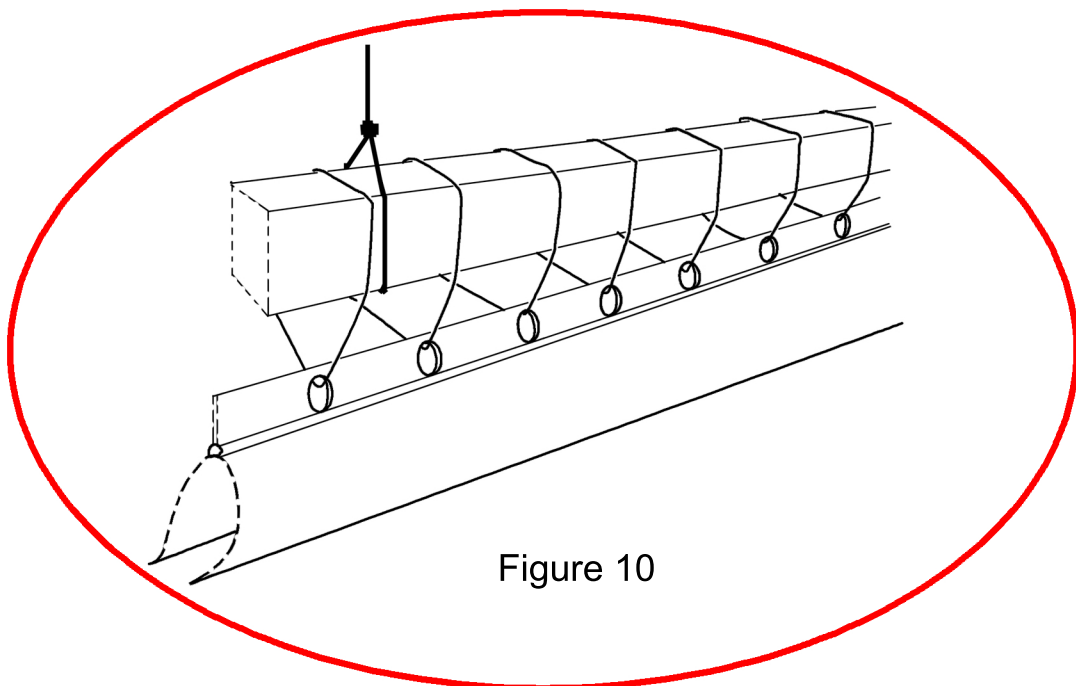


Figure 10

DANCOVER

Big or Small we cover it all...

Step # 11:

Mount the front and the back cover by weaving the rope around the bars as shown in figure # 12 and # 13. Do the same with the roof cover. Make sure to use one rope for each covers.

Step # 12:

Make sure that the edge of the roof cover overlaps the front/back cover (over the end bars) as shown in figure #14. Slide a rope through the end sleeves and tighten the rope through the hoops of the corner footplates.

Step # 13:

Make sure all ropes are secured and tight.

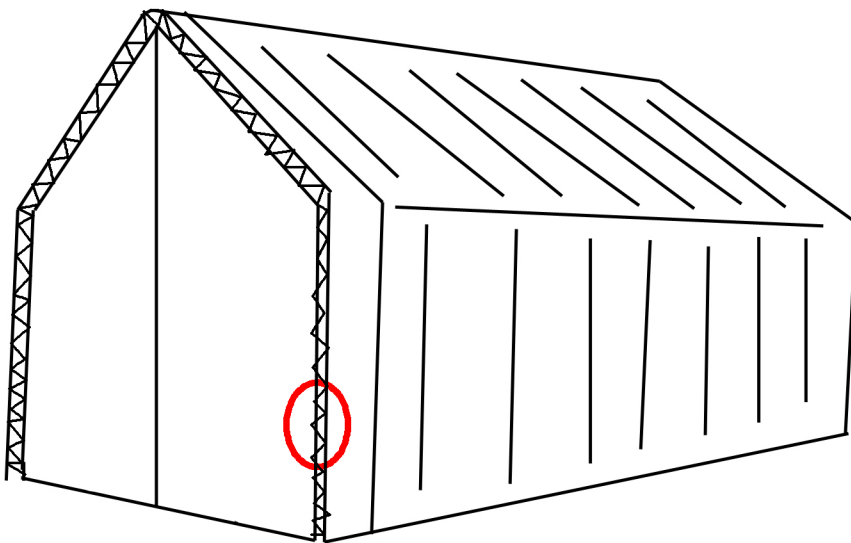


Figure 12

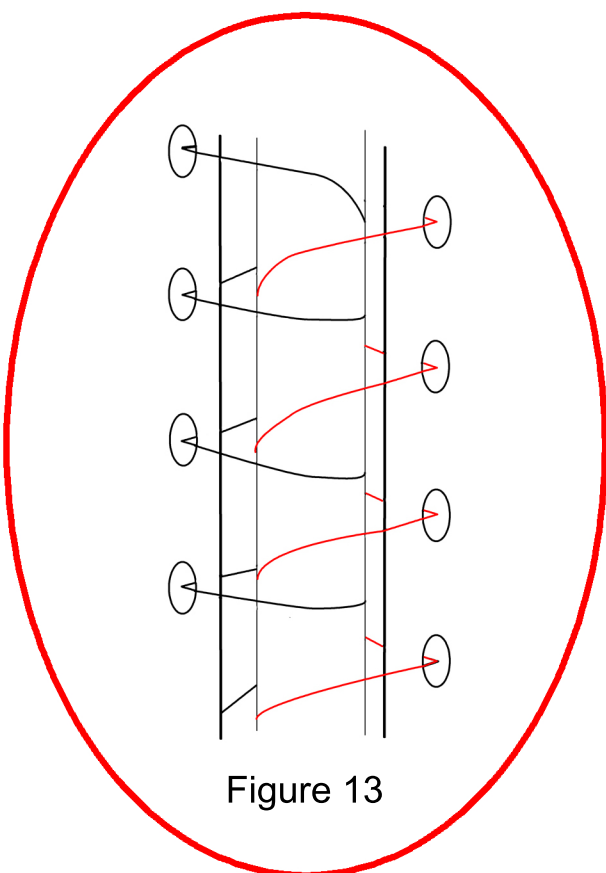


Figure 13

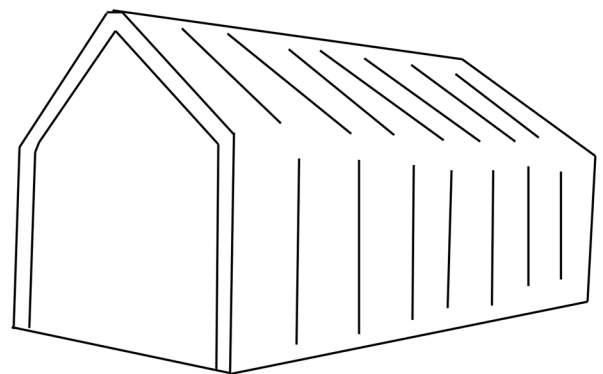


figure 14

Contact Information.

Dancover UK

Tel. 020 722 102 20

Fax. (+45) 70 26 76 30

E-mail: mail@dancover.co.uk

VAT NO. 894 5631 80

For warranty/claims please fill out our form at:

<http://www.dancovershop.com/info.asp?text=5>

And we will get back to you as soon as possible.