

DANCOVER[®]

.com

Manual
Container shelter
6x12,19x1,8m

DANCOVER[®]

.com

Safety Advice

Attention

In some countries approval is needed to set up a marquee/tent larger than 75 m². It is your responsibility to comply with local rules and regulations and to ensure that the marquee/tent is assembled correctly.

In case of bad weather conditions, it is your responsibility to ensure the marquee/tent is safely secured and that the marquee/tent does not cause damage to others.

Do not use open fire, welding equipment or other sources which can ignite, inside or close to the tent.

The marquee/tent must be safely secured. We recommend you secure your marquee/tent with straps and pegs as soon as it is assembled.

Make sure to check if the marquee/tent is covered by your home contents insurance.

Marquees/tents must be evacuated under extreme weather conditions.

In the event of snow always remove snow from the roof of the marquee/tent regularly to prevent snow from building on the roof as heavy snow can cause the marquee/tent to collapse.

In the event of rain there is a risk of rain puddles building up on top of the roof of the marquee/tent. Heavy rain puddles can cause the roof to collapse. It is your responsibility to ensure rain puddles do not build up. As a precaution, make sure the roof of the marquee/tent is stretched out properly and adequately over the side frames of the marquee/tent and remove rain water regularly.

Do not unpack or repack your marquee/tent in freezing temperatures. In case of temperatures below zero always unpack and repack your marquee/tent indoors to avoid the risk of cracking parts.

The marquee/tent must be totally dry before you repack and store it to avoid mildew.

This structure is not tested for snow and wind loads. We always recommend that you remove snow from the roof. This is a none-permanent structure.

Warranty Information

Please visit dancovershop.com for information on warranty.

Please always check our website for the latest safety advice and manual.

Congratulations on your purchase of our instant shelter. This unit is a combination of excellent manufacturing and design. It is comprised of a rigid frame and a durable cover. For easy assembly, we have marked all the parts with codes. With proper installation, use and maintenance, your unit will provide many years of good and suitable service.

READ ALL THE INSTRUCTIONS BEFORE ASSEMBLY !

1. The proper erection and installation of this building requires a high level of care and safety. We recommend the safety regulations be complied with during the installation. It includes but is not limited to:
 - Safety hats, protective eyewear and protective clothing
 - Safety harnesses for all elevated workers
 - Proper ladder, cage, and safety operation
2. Be cautious with the surroundings. The cover of the building will protect against normal falling leaves and light debris, however, large, fast or sharp falling items etc. may cause a puncture or tear in the cover material. So, keep the building away from such harmful things. Be careful with power and heat sources. Don't keep heat sources near the tarpaulin. Don't expose to open flame.
3. Chose a windless day to install the building. It is very difficult to attach the cover in heavy wind.
4. All snow accumulation on the main cover should be removed as soon as possible. Otherwise, when old snow on the roof becomes hard with new snow falling in, it will increase the burden of the roof badly and will damage the roof.
5. Try to keep the building, especially its base, in a dry condition. This will help the building to have a longer life than keeping it in a wet conditions.
6. The user should be responsible for the parts missing or damage occurred during the installation.
7. Don't make alteration of the frame. Don't hang anything besides included parts to the frame. Damages, consequential damages, or injuries caused by improper installation, alteration, improper use, or damages caused by snow, wind, or any acts of nature are owing to the user. The building is not intended for occupancy for any length of time.

ASSEMBLY PROCEDURE

1. Prepare location and place all unit boxes near location sight. Perform an inventory check before beginning, to be certain all components are available for installation.
2. Secure base rail to the top of the containers.
3. Assemble every group of arch.
4. Begin frame assembly with end arch, first interior arch, purlins, etc.
5. Add to assemble other groups of arches.
6. Install main cover over frame.

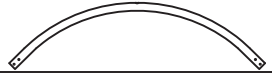



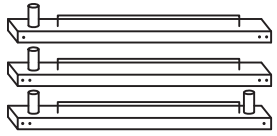
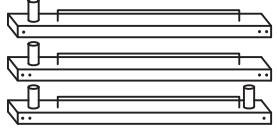


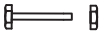
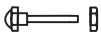
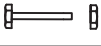



Read all the detailed instructions and notices in the following assembly instructions!

MAINTENANCE AND CARE

1. If some parts or the cover were accidentally damaged during the use, contact the local supplier for advises on the repairing method or replacements, so that to prevent from further damage and keep the building in a good condition.
2. When replacing the parts, make certain the whole frame and the parts connected to the replaced parts be well fixed or supported.
3. Same with when attaching the cover, choose a windless day to replace the cover. Begin with making certain all the bolts of the frame and the tensioning equipments be well fixed. When taking off the cover, make sure the related ropes, etc. be taken off, and the cover will not be blocked during the way. Avoid taking off the cover with heavy big power equipments.
4. To elongate the life of the cover, put small duct tape or foam rubber (provide it by yourself) on the frame that comes to in contact with cover. The tape and foam rubber acts as a cushion to avoid rubbing damage to the cover over years.
5. Periodically(once in half a year or more often), the building should be completely inspected and maintained internally and externally to make certain the building remains properly installed and secured. Including: check all bolts and hardware connectors to be certain they are in place and tightened, the base plates are still fixed firmly, check and adjust the ropes if in need, clean the cover with suitable washing. Allowing dirt and debris to sit on cover over an extended time will damage cover irreparably.

Thanks again for choosing this quality product. The following is the detailed assembly instructions for you starting the assembly.

Part list for 6x12,19x1,8m

| Part Code | Description | QTY | ILLUSTRATION |
|-----------|--|--------|---|
| 1 | Top roof tube | 9 |  |
| 2 | Middle roof tube | 18 |  |
| 3 | Lower roof tube | 18 |  |
| 4 | Horizontal tube | 40 |  |
| L1-L8 | Base rail in left | 8 |  |
| R1-R8 | Base rail in right | 8 |  |
| 7 | Connection for base rail | 28 |  |
| 8 | Angle iron for fixing the base rail to the container and tension roof cover at 4 corners | 40 |  |
| 10 | Connection bolt M8x60 for frame swaged connection | 110 |  |
| 10A | Carriage bolt M8x70 for horizontal tube connection | 45 |  |
| 11 | Connection bolt M8x85 for base rail connection | 62 |  |
| 12 | Plastic cap for base rail | 4 |  |
| 13 | Rope for tensioning the roof cover | 5 pcs. |  |
| 14 | Roof cover | 1 |  |

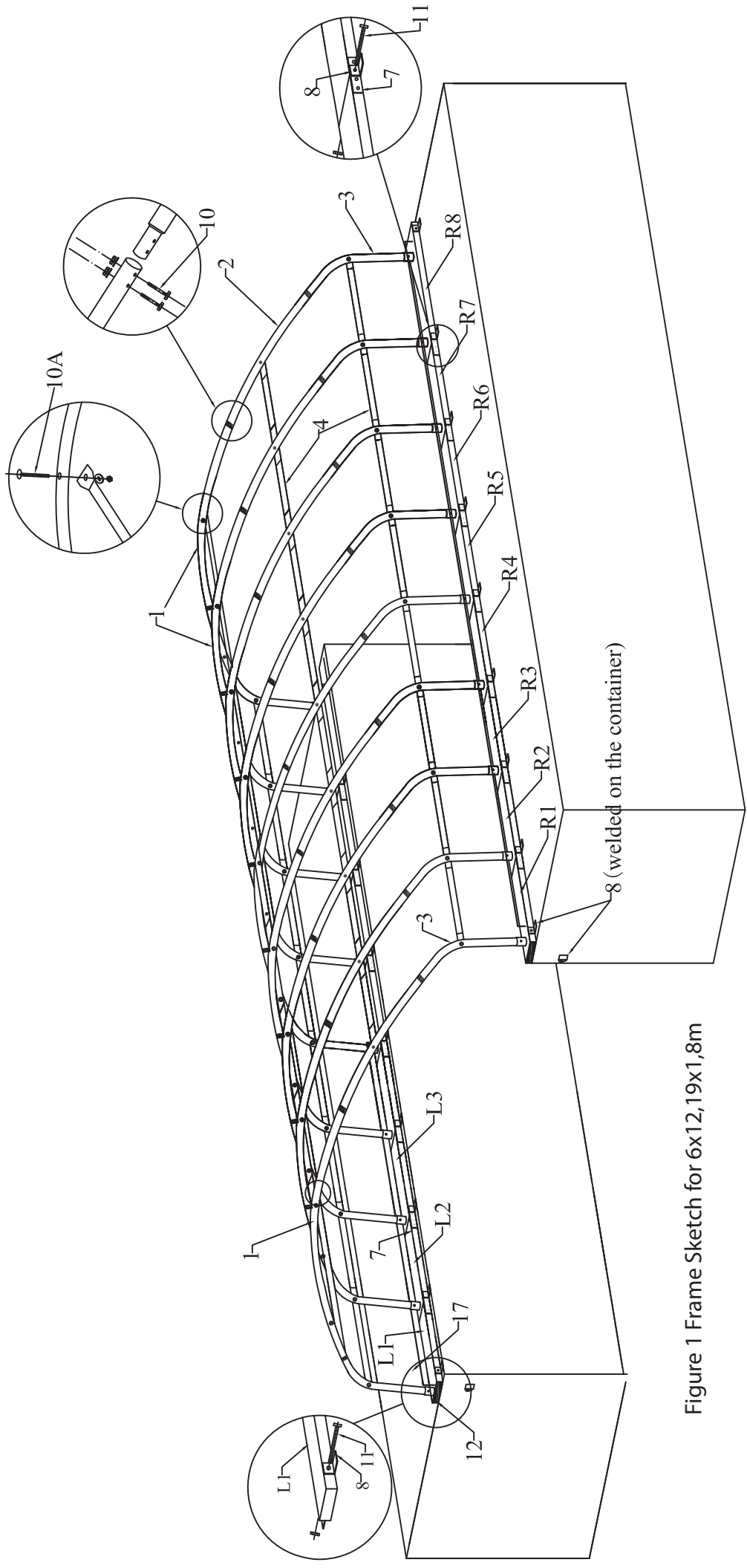


Figure 1 Frame Sketch for 6x12,19x1,8m

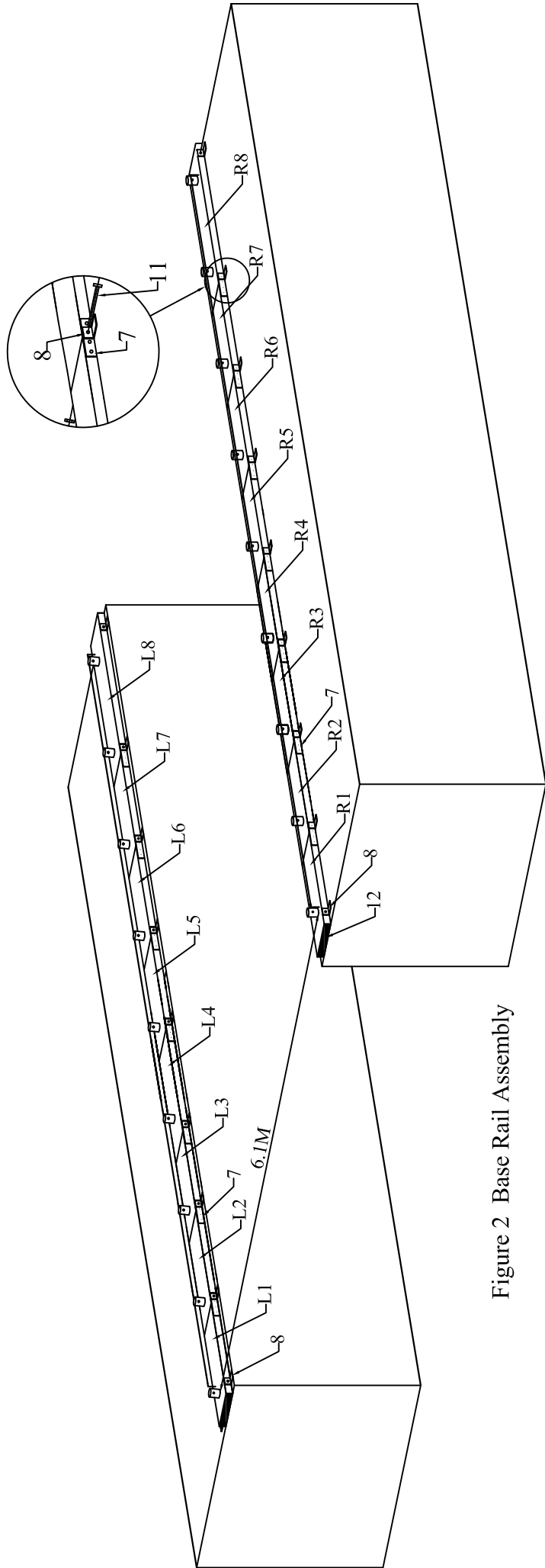


Figure 2 Base Rail Assembly

STEP #1 – ASSEMBLE THE BASE RAILS

As figure 2 shows, connect the Base Rail (L1-L8 & R1-R8) by Connection for Base Rail(part #7) and Screw(part #11). Install the Connection for Base Rail and Container(part #8) with part #7 on the Base Rail by Screw(part #11). Then, weld the Connection for Base Rail and Container(part #8) to the top of the container.

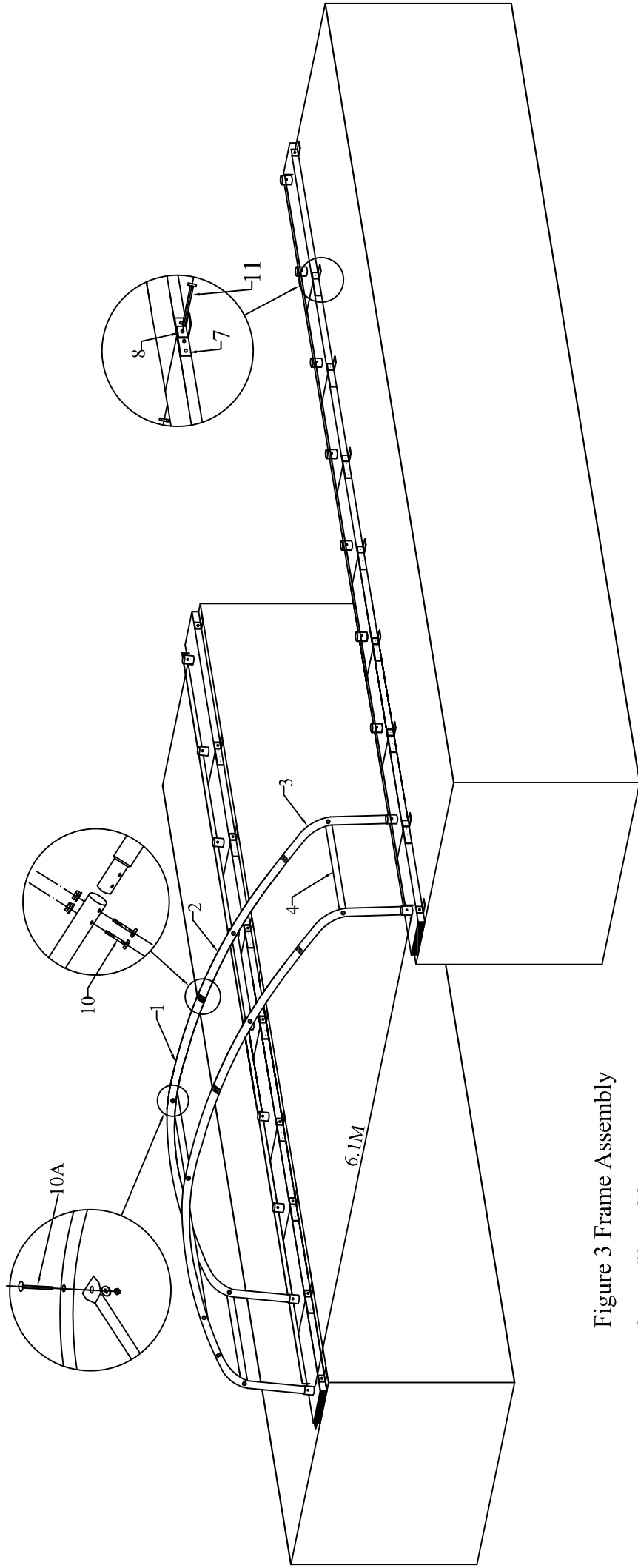


Figure 3 Frame Assembly

STEP #2 --ASSEMBLE THE FRAME

Connect the Top&Middle&Low Roof Tube (part #1,2,3) by Bolt(part #10) one by one, and install them on the Base Rail. Assemble the Horizontal Tube(part #4) to the frame by Bolt(part #10A).

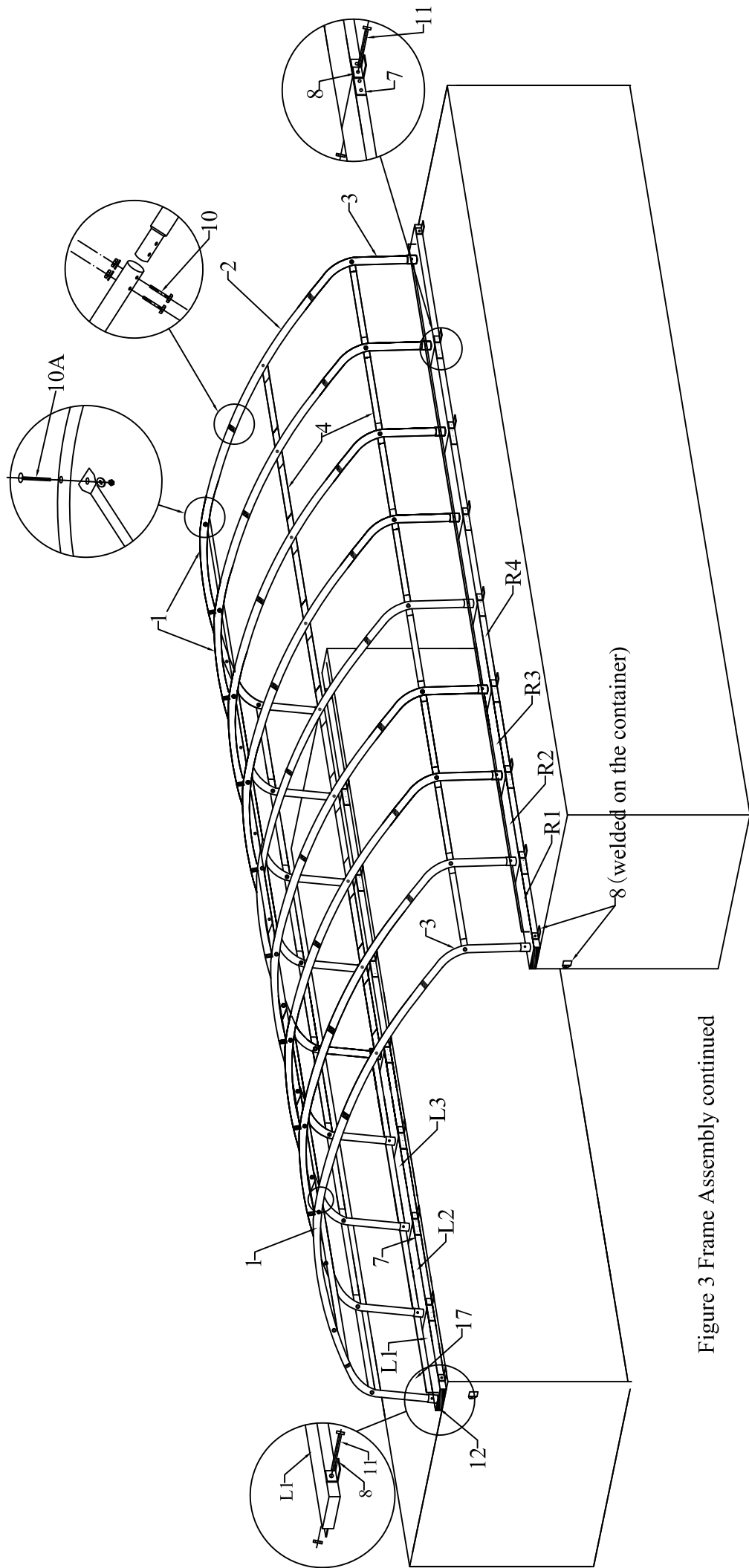


Figure 3 Frame Assembly continued

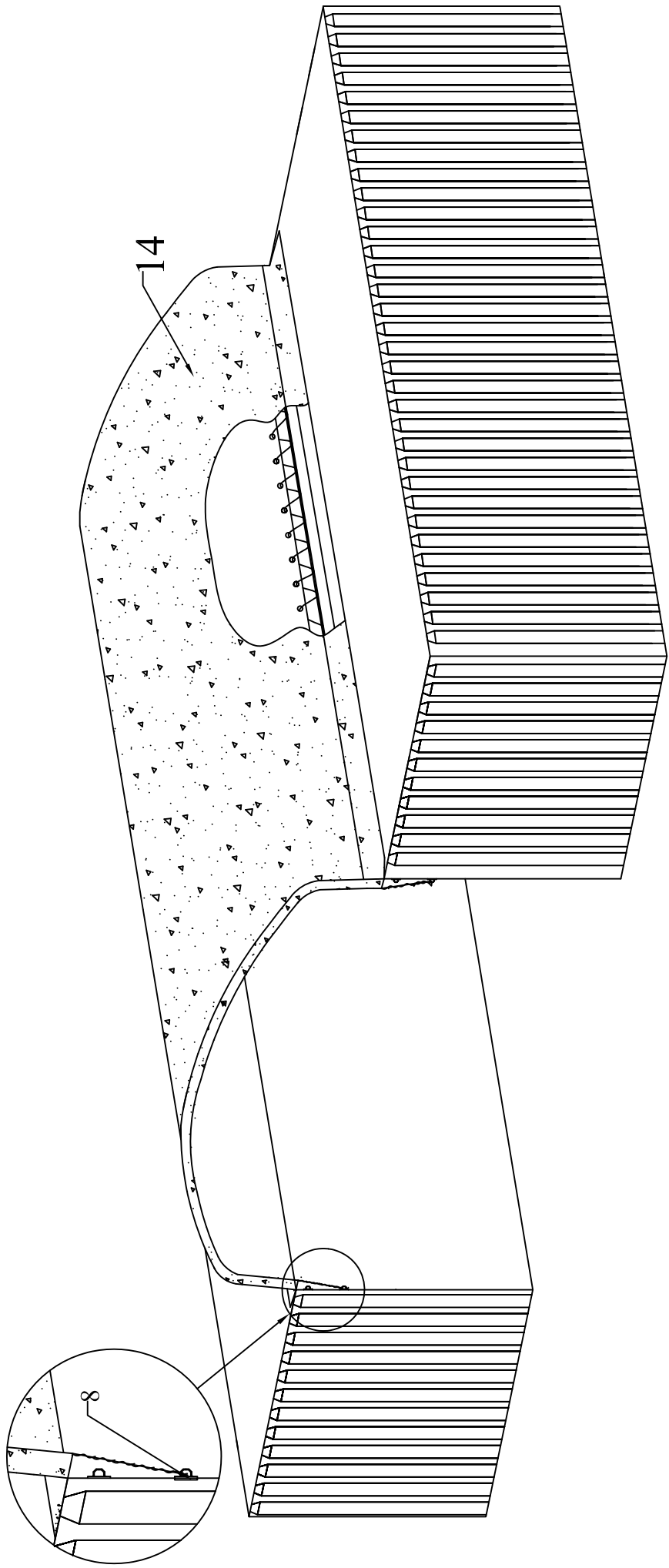


Figure 4 Roof Cover Installation

STEP #3 -- INSTALLATION OF ROOF COVER

As Figure 4 shows, please install the Roof Cover to the frame by Ropes(part #13) provided.

Contact information

Head office:

Dancover A/S
Nordre Strandvej 119 G
3150 Hellebæk
Denmark

For more information
please visit:
www.dancovershop.com

National contact

Denmark:

denmark@dancover.com

UK:

uk@dancover.com

Germany:

germany@dancover.com

France:

france@dancover.com

Sweden:

sverige@dancover.com

Finland:

suomi@dancover.com

Poland:

polska@dancover.com

Luxembourg:

luxembourg@dancover.com

Spain:

espana@dancover.com

Italy:

italia@dancover.com

Switzerland:

schweiz@dancover.com

Austria:

austria@dancover.com

Norway:

norge@dancover.com

Nederland:

nederland@dancover.com

Ireland:

ireland@dancover.com

Belgium:

belgique@dancover.com