

**DANCOVER<sup>®</sup>**



## SHELTER

Assembly Manual

W4xL12xH4,5 m

**Congratulations** on your purchase of our instant shelter. This unit is a combination of excellent manufacturing and design. It is comprised of a rigid frame and a durable cover. For easy assembly, we have marked all the parts with codes. With proper installation, use and maintenance, your unit will provide many years of good and suitable service.

## **READ ALL THE INSTRUCTIONS BEFORE ASSEMBLY !**

1. The proper erection and installation of this building requires a high level of care and safety. We recommend the safety regulations be complied with during the installation. It includes but is not limited to:
  - Safety hats, protective eyewear and protective clothing
  - Safety harnesses for all elevated workers
  - Proper ladder, cage, and safety operation
2. Site selection: Choose a solid level location for your building. Do not install the building where the ground could not keep the building steady. Do not install the building where the ground could not bear the weight of the building. Do not install the building in soft grass ground or wetland.
3. Be cautious with the surroundings. Keep work area clean. Do not set up it near snow drifts, in slippery places, or in wet location. The cover of the building will protect against normal falling leaves and light debris, however, large, fast or sharp falling items etc. may cause a puncture or tear in the cover material. So, keep the building away from such harmful things. Be careful with power and heat sources. Don't keep heat sources near the tarpaulin. Don't expose to open flame.
4. Chose a windless day to install the building. It is very difficult to attach the cover in heavy wind.
5. All snow accumulation on the main cover should be removed as soon as possible. Otherwise, when old snow on the roof becomes hard with new snow falling in, it will increase the burden of the roof badly and will damage the roof.
6. Try to keep the building, especially its base, in a dry condition. This will help the building to have a longer life than keeping it in a wet condition.
7. The user should be responsible for the parts missing or damage occurred during the installation.
8. Don't make alteration of the frame. Don't hang anything besides included parts to the frame. Damages, consequential damages, or injuries caused by improper installation, alteration, improper use, or damages caused by snow, wind, or any acts of nature are owing to the user. The building is not intended for occupancy for any length of time.

## **ASSEMBLY PROCEDURE**

1. Prepare location and place all unit boxes near location sight. Perform an inventory check before beginning, to be certain all components are available for installation.
2. Secure base plate flanges to base surface.
3. Assemble every group of arch.
4. Begin frame assembly with front end arch, first interior arch, purlins, etc.
5. Add to assemble other groups of arches.
6. Install main cover over frame.
7. Install end covers over end panels.

**Read all the detailed instructions and notices in the following assembly instructions!**

## **MAINTENANCE AND CARE**

1. If some parts or the cover were accidentally damaged during the use, contact the local supplier for advice on the repairing method or replacements, so that to prevent from further damage and keep the building in a good condition.
2. When replacing the parts, make certain the whole frame and the parts connected to the replaced parts be well fixed or supported.
3. Same with when attaching the cover, choose a windless day to replace the cover. Begin with making certain all the bolts of the frame and the tensioning equipments be well fixed. When taking off the cover, make sure the related ropes, etc. be taken off, and the cover will not be blocked during the way. Avoid taking off the cover with heavy big power equipments.
4. To elongate the life of the cover, put small duct tape or foam rubber (provide it by yourself) on the frame that comes to in contact with cover. The tape and foam rubber acts as a cushion to avoid rubbing damage to the cover over years.
5. Periodically (once in half a year or more often), the building should be completely inspected and maintained internally and externally to make certain the building remains properly installed and secured. Including: check all bolts and hardware connectors to be certain they are in place and tightened, the base plates are still fixed firmly, check and adjust the ropes if in need, clean the cover with suitable washing. Allowing dirt and debris to sit on cover over an extended time will damage cover irreparably.

**Thanks again for choosing this quality product. The following is the detailed assembly instructions for you starting the assembly.**

## Part List of Model#Basic-1339(L12.0xW4.0xH4.5m)

Part Code	Description	Quantity
1	Top roof curved tube	7
2	Roof tube	14
2A	Roof curved tube	14
3	Vertical sidewall tubes	14
4	Horizontal wall and roof purlin	30
5	Base flange of four corner of frame	4
6	Base flange of backwall tube in the middle	1
7	Base flange of sidewall tubes	10
9	Vertical support tube for cross tube in the front wall	1
10	Cross tube in the front and back wall (2 pcs per set)	2sets
12	Standing tube in the middle of back wall	2
13	Lower cross tube forback wall	2
14	Tensioning tube for back cover at the bottom	2
16	Ground support tube in the front wall (2 pcs per set)	1set
17	Bolts M10x60mm for cross tube	4
17A	Hex bolts M10x75mm, for arches	116
17B	Bolts M10x30mm, for Angles in the ends	6
17C	Bolts M10x15mm, for tie down ratchets	28
17D	Bolts M6x40mm, for tensioning tube for front and back cover at the bottom	1
18	Carriage bolts M10x90mm, connecting the purlins to arches	36
20	Connecting angle for four conners of the frame	6
21	Roof cover	1
22	Lower roof cover tensioning tube	2sets
23	Tie down ratchet	14
24	Nylon bands for tensioning roof cover	14
25	Back cover	1
27	Front cover	1
29	Ropes for fastening the roof cover and the front&back cover	9
30	Pole for help opening and closing the door	1
31	Stake peg	45
33	Plastic cap for cover tensioning tube	10
34	Windstabilizers on both sides of the shelter	8sets

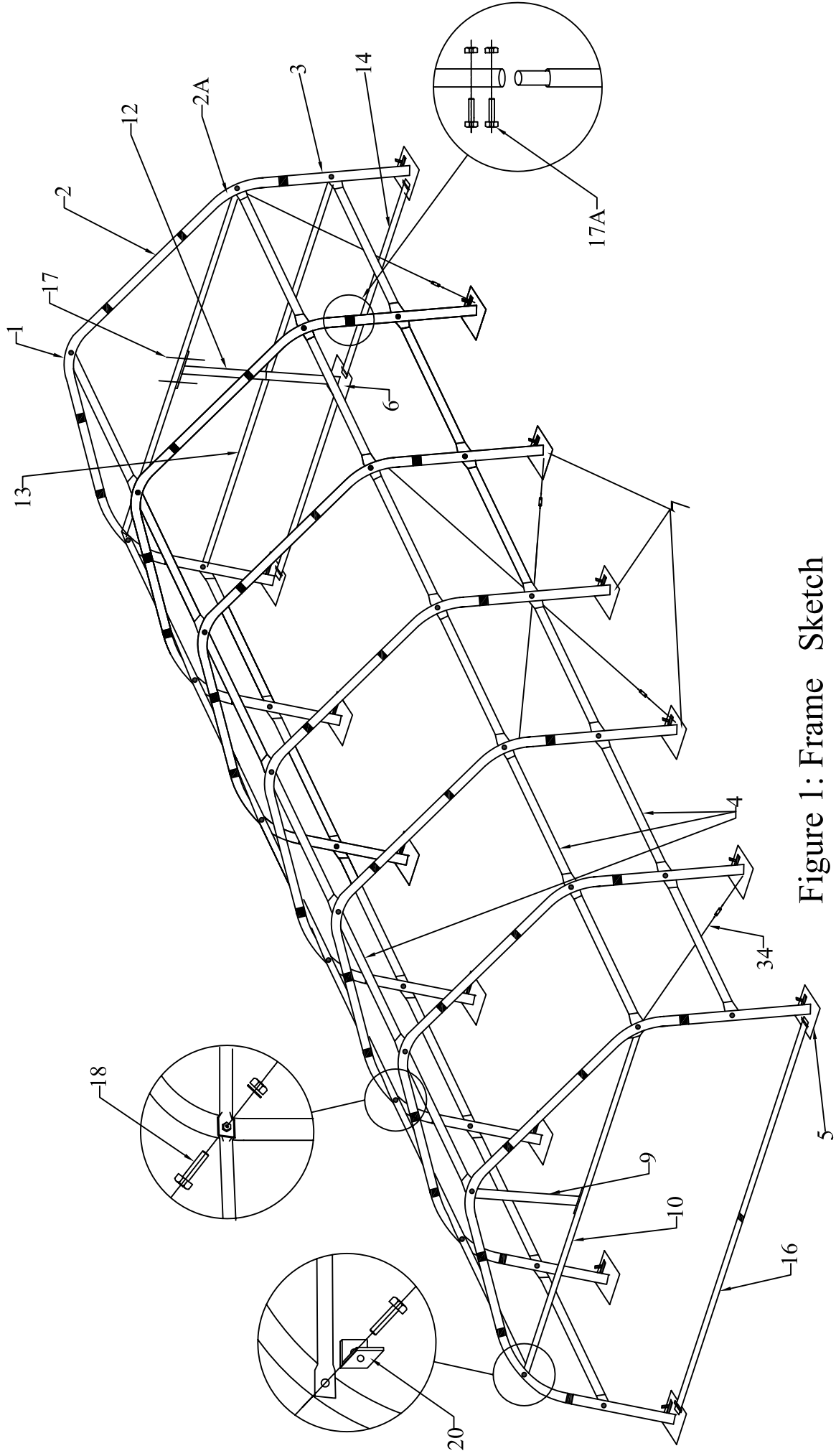


Figure 1: Frame Sketch  
 Size: L12.0xW4.0xH4.5m

## Step #1 --SECURING BASE FLANGES

Sit the building boxes in the chosen location. Remove all the components from packaging to ensure all components are present by checking with the Part List.

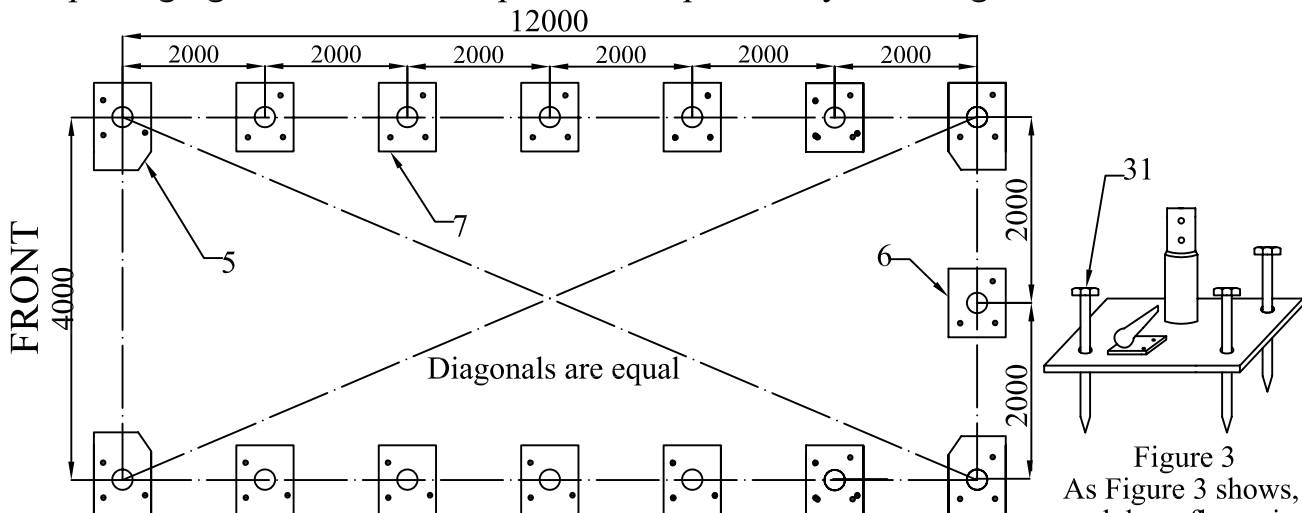


Figure 2 Position of Base Flanges

Figure 3  
As Figure 3 shows, each base flange is equipped with three stake pegs.

Begin by determining exact location of the four (4) corners of the building. Mark front edge and side-to-side width of assembly on ground. Drive alignment stakes into the ground outside of the markings, and draw alignment strings along both ends and sides of the building to the dimensions shown in Figure 2. The outline of the strings will represent the final location of the base flanges. The initial location of each Corner Base Flanges(part #6) is critical to the alignment and fit of the frame components and cover.

Locate the Left Corner Base Flange and Right Corner Base Flange(part #5). Secure the base flanges with Stake Pegs (Part #31). Measurements shown in Figure 2 are to the center of the upright sockets on each Base Flange.

The Shelter must be secured to a firm surface that can receive and retain stake pegs firmly in position. The shelter should be installed on FIRM GROUND, not on SWAMP, SOFT/WET GROUND. The Base Flanges must be secured so they cannot be moved. Arches are tensioned at their base as they insert into the Base Plate sockets.

## Step #2 --ARCH ASSEMBLY

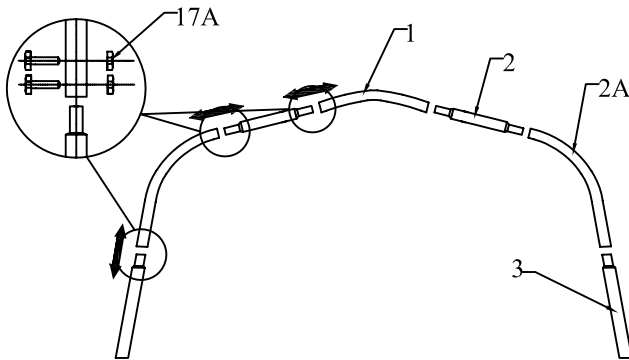


Figure 4 The arch installation

Assemble each arch on ground. Each arches consist of:

- One Top roof tube (Part #1)
- Two Roof tube (Part # 2)
- Two Roof curving tube (Part # 2A)
- Two Vertical sidewall tube (Part # 3)

Connect the arches by Using the hexagon bolts with washers and nuts through predrilled holes in frame members. Do not tighten down the nuts completely until frame is fully assembled and set in place.

### THE FRONT AND BACK PANEL FRAME ASSEMBLY

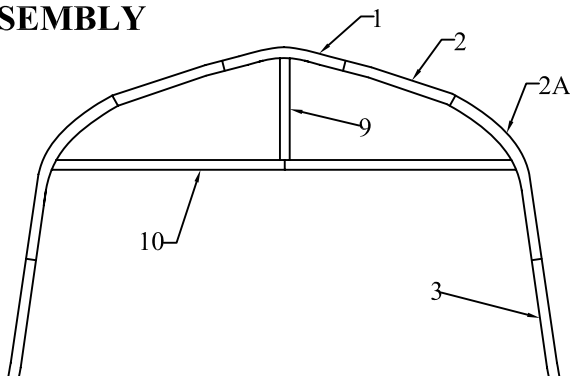


Figure 5 Frame Installation for Front Panel

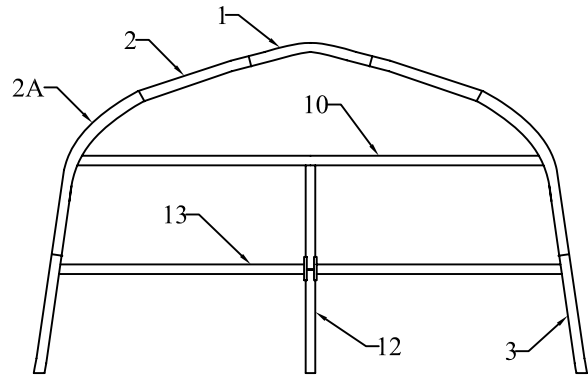


Figure 6 Frame Installation for Back Panel

Assemble the front and back panel frame. According to Figure 5&6, connect the end wall frame by Using the bolts with washers and nuts through predrilled holes in frame members. Do not tighten down the nuts completely until frame is fully assembled and set in place.

**NOTE:** Please notice that the part code of the arch sections. The sections of different arches are not the same. Check with the Part List and the Sketch Figure #1.

### Step #3 --ERECTING ARCHES

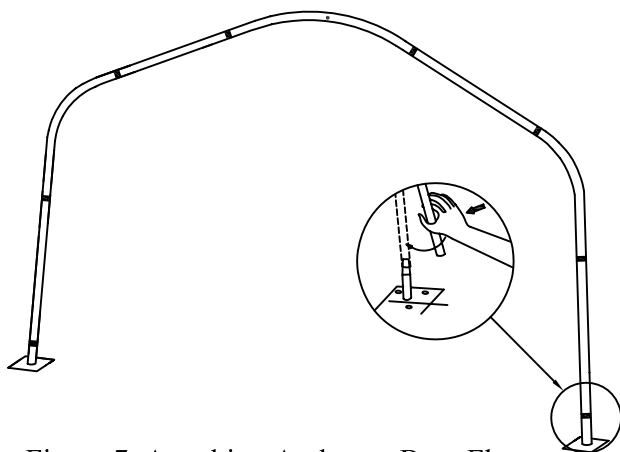


Figure 7 Attaching Arches to Base Flanges

Begin frame assembly by erecting Front Arch into Front Corner Base Flanges. Place left frame sidewall tubing into the upright tube socket into the Left Base Flange. Place Hexagonal Bolt through base flange socket and arch sidewall tube hole.

In order to insert Right Sidewall Tube into Right Front Corner flange, it is necessary to support arch on left side to prevent movement. Position the Right Sidewall Tube over the Right Corner Base Flange.

Once the Right Sidewall Tube is placed into right corner base flange, insert a hexagonal bolt and nut to prevent it from popping out of the socket while assembly continues.

Next stand first interior arch up to repeat insertion into Base flanges.

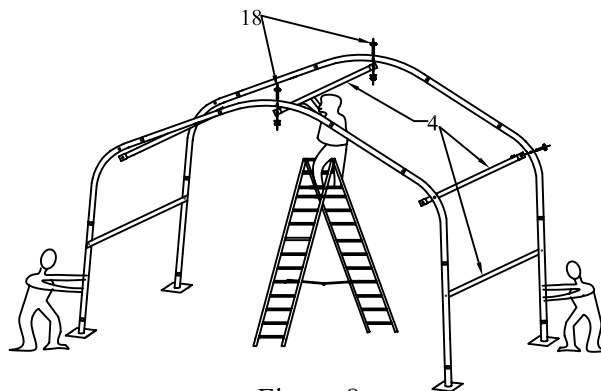


Figure 8

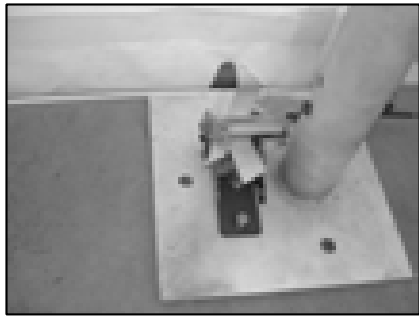
Immediately after putting first interior arch into place, connect Front Arch and Interior arch using Roof Purlin Tubes at top ridge and side shoulder cures of arches. Secure the Roof Purlin tubes into place using carriage bolts and nuts.

Continue to install other Arches Assemblies in the same manner. Overlap pinched ends of Roof Purlin onto same carriage bolts inside frame assembly.

Next check entire frame assembly for square and plumb. Next tighten frame bolts adequately. **DO NOT** over tighten bolts so as to oval or compress frame components.



## Step #4 --BOLT RATCHETS TO BASE FLANGES



Attach Tie Down Ratchet to each Base Flange along Sidewall. Use two Bolts M10x15 for each sidewall ratchet to secure to Base Flange.

## Step #5 --POSITION ROOF COVER

As figure 9 shows, when ready to install Roof Cover, unpack cover and lay parallel to building frame on one side. Cover must be pulled over top of frame assembly without being snagged or stressed on any frame members. Use multiple ropes over top of frame as shown in picture below. Having another person inside frame on a ladder to assist in getting Roof Cover over frame will insure the cover will go on without any damage.

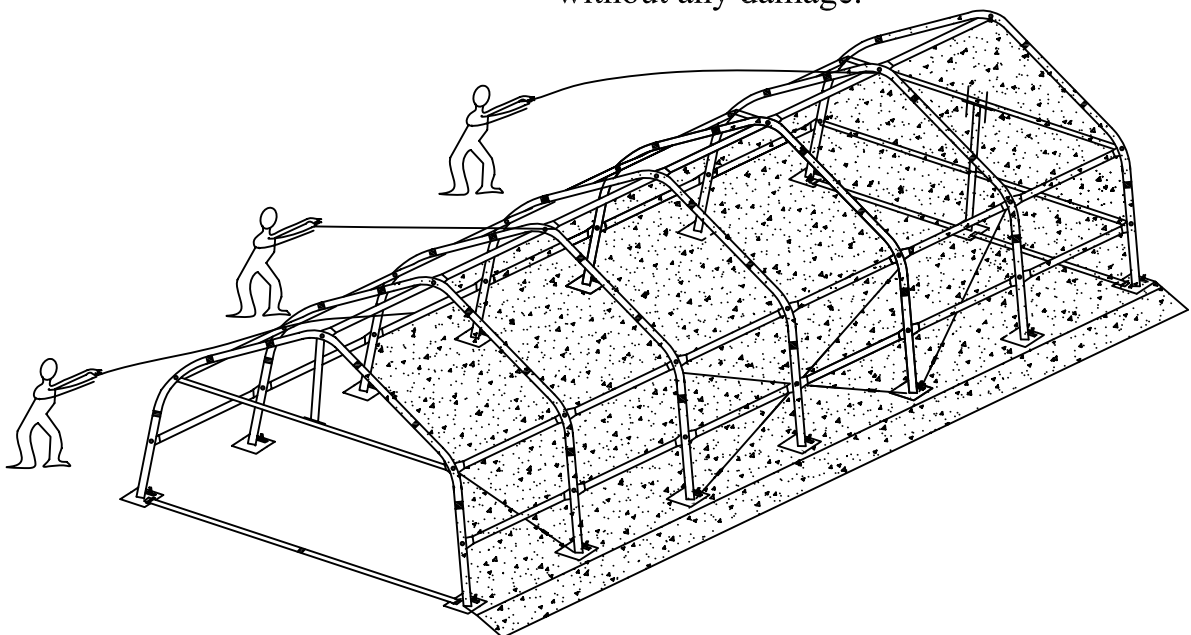


Figure 9: Pull the Roof Cover over the frame evenly

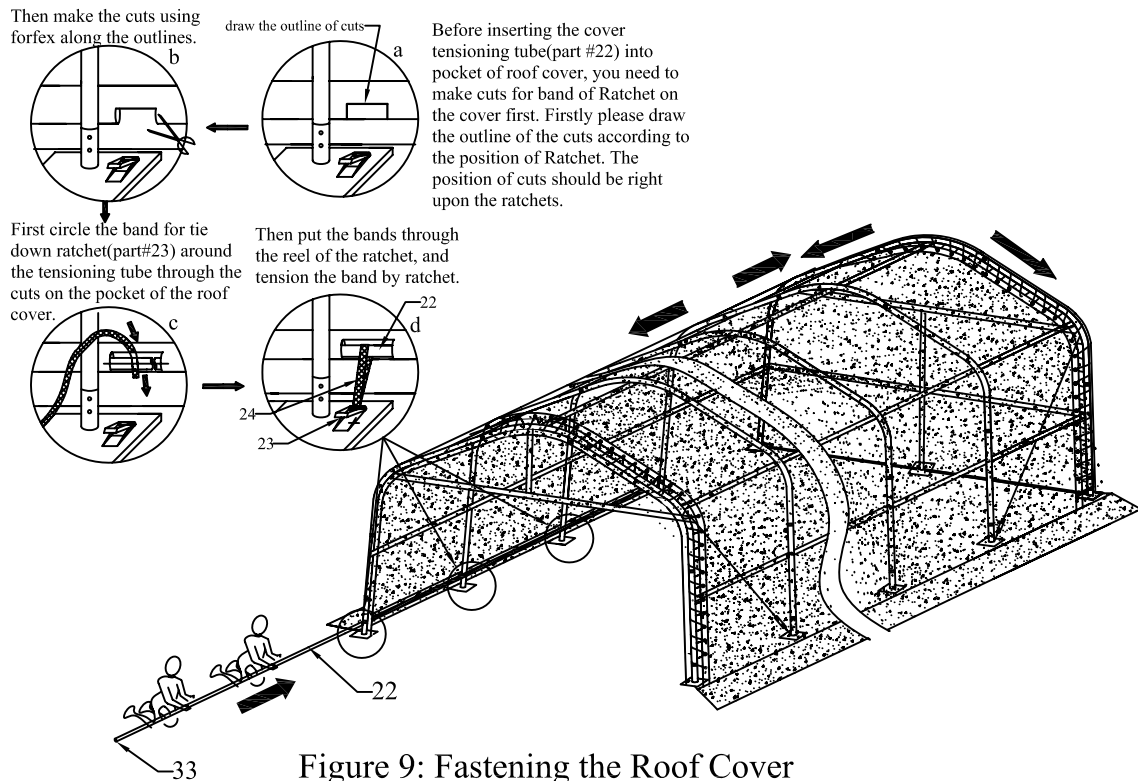


Figure 9: Fastening the Roof Cover

### Step #6 --TENSION COVER ON FRAME FROM SIDE-TO-SIDE

As Figure 10 shows, when Roof Cover is over top of Frame Assembly, insert Cover Tensioning Tubes into pockets along both sides of Roof Cover. Center Roof Cover over Frame assembly both side to side and front to back. Align one side of Roof Cover evenly front to back. Add Band for Tie Down Ratchet at each point along the cover opening, as shown. Put Band for Tie Down Ratchets over Cover Tensioning Tubes at each Base Plate along one side. Bands do not attach to Tensioning Tubes, but loop around and secure at both ends on ratchet.

Next take up slack in tie bands by ratcheting the mechanisms, tightening cover. Evenly adjust ratchets on both sides of roof cover to take wrinkles out of roof cover. **DO NOT** fully tighten cover yet. Leave adequate slack so that cover can also be adjusted front to back in next step.

### Step #7 --TIGHTEN ROOF COVER ON FRAME FRONT TO BACK

The roof cover is tensioned from front to back by the rope lacing to grommet flaps inside the main cover, inside the unit at both front and rear arches. Using the rope provided, lace the main cover grommet flap around the main frame front and rear arch pieces. Start in the top middle of each arch, and lace to each side. Add rope length by tying pieces together or cutting as necessary.

Lace all grommets on cover inside flap with rope. Starting at the middle top point over the door, tighten lacing only enough to take wrinkles out of the cover. Repeat for the Rear Arch. **DO NOT** over tighten lacing to pull out the grommets.

After the roof cover lacing is adjusted evenly across the grommet flap, go back and re-adjust the Tensioning Ratchets along the side edges of the Roof Cover. At this point, the main cover can be pulled taut enough to take all excess material and wrinkles out of cover. It will be necessary to repeat this step 2-3 weeks after unit assembly is complete and roof over has a chance to stretch out over the frame completely.

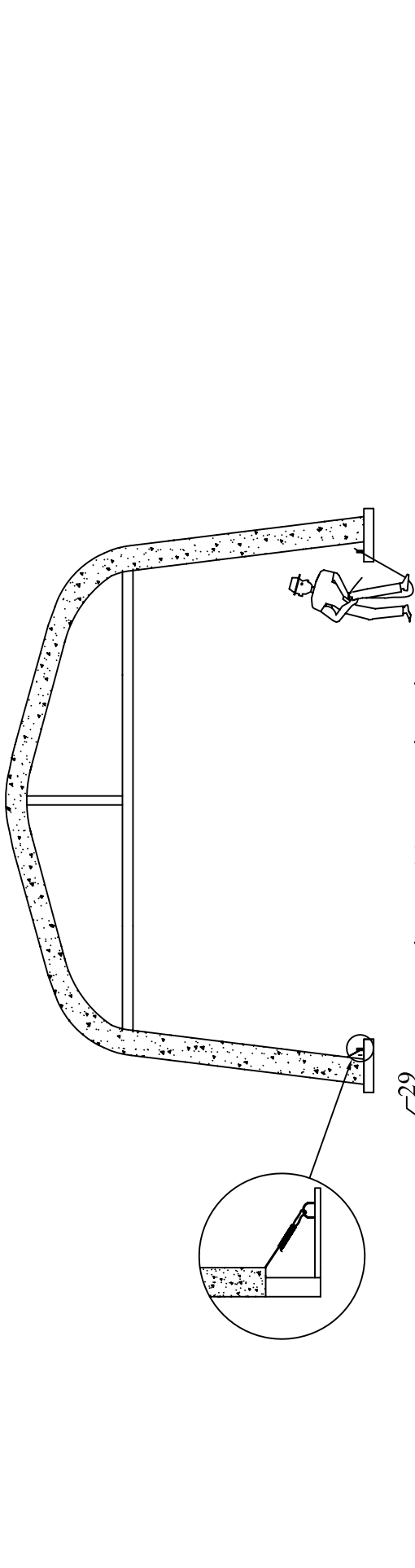


Figure 11 Fastening the two ends of the Roof Cover

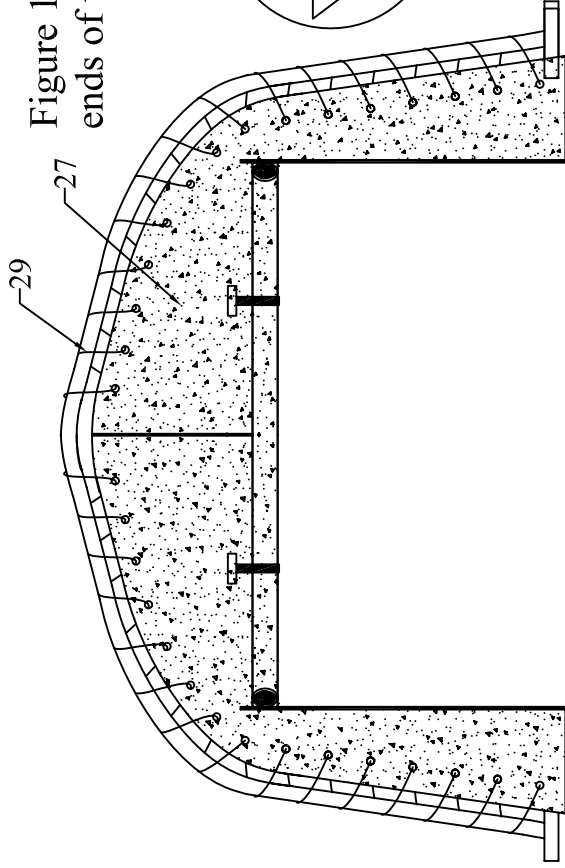


Figure 12 Installation of the Front Cover

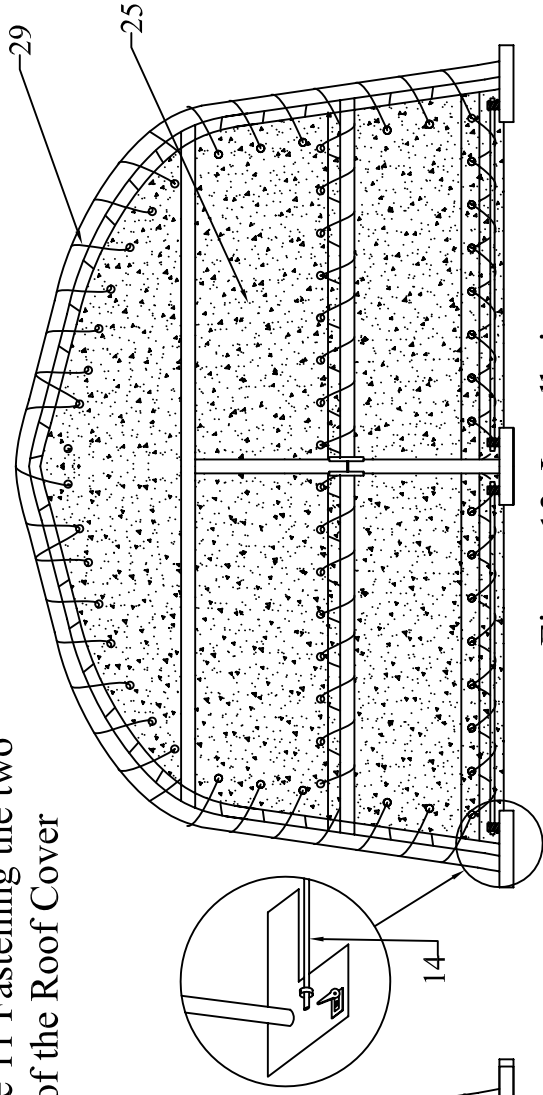


Figure 13 Installation of the Back Cover

## **Step #8 --ASSEMBLE FRONT & REAR COVER**

Secure the Front and Back Cover to the arch panel by using the ropes provided.

### **Main Cover Edge Tie Off -**

Once both Front and Rear Covers are installed, the Roof Cover Edge flap, front and rear, should be tightened and tied off. Begin by pulling the remaining Roof Cover over the Frame arch, so the rope pocket is over the edge of the frame. Tie off the rope that goes through the rope pocket on one side. The rope ties off to the loop that is located on the Base Flange in Corner (part #5).

Moving to the other side, begin to pull the rope down.

Hold the rope in hand, and push down at the bottom of the rope with a foot. Pull the rope tight, and tie off to the welded hoop on the Base Flange. As you are pulling the edge rope, it will be necessary to adjust the excess material that will collect along the rope packet. Adjust the material so that it is not bunched up and it does not pull the roof cover to one side or the other. Once the Front is completed, repeat the process on the Rear flap of the Roof Cover.

## Contact information

### Head office:

Dancover A/S  
Nordre Strandvej 119 G  
3150 Hellebæk  
Denmark

For more information  
please visit:  
[www.dancovershop.com](http://www.dancovershop.com)

## National contact

Denmark:  
[denmark@dancover.com](mailto:denmark@dancover.com)

UK:  
[uk@dancover.com](mailto:uk@dancover.com)

Germany:  
[germany@dancover.com](mailto:germany@dancover.com)

France:  
[france@dancover.com](mailto:france@dancover.com)

Sweden:  
[sverige@dancover.com](mailto:sverige@dancover.com)

Finland:  
[suomi@dancover.com](mailto:suomi@dancover.com)

Poland:  
[polska@dancover.com](mailto:polska@dancover.com)

Luxembourg:  
[luxembourg@dancover.com](mailto:luxembourg@dancover.com)

Spain:  
[espana@dancover.com](mailto:espana@dancover.com)

Italy:  
[italia@dancover.com](mailto:italia@dancover.com)

Switzerland:  
[schweiz@dancover.com](mailto:schweiz@dancover.com)

Austria:  
[austria@dancover.com](mailto:austria@dancover.com)

Norway:  
[norge@dancover.com](mailto:norge@dancover.com)

Nederland:  
[nederland@dancover.com](mailto:nederland@dancover.com)

Ireland:  
[ireland@dancover.com](mailto:ireland@dancover.com)

Belgium:  
[belgique@dancover.com](mailto:belgique@dancover.com)