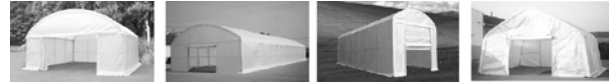


# DANCOVER



## Shelter

### Installation manual

# Model#Basic-2424

# L7.1 x W7.3 x H4.2M

www.**DANCOVER**.com

Phone+45 70 26 76 20



# **Assembly instructions**

## **Model#Basic-2424**

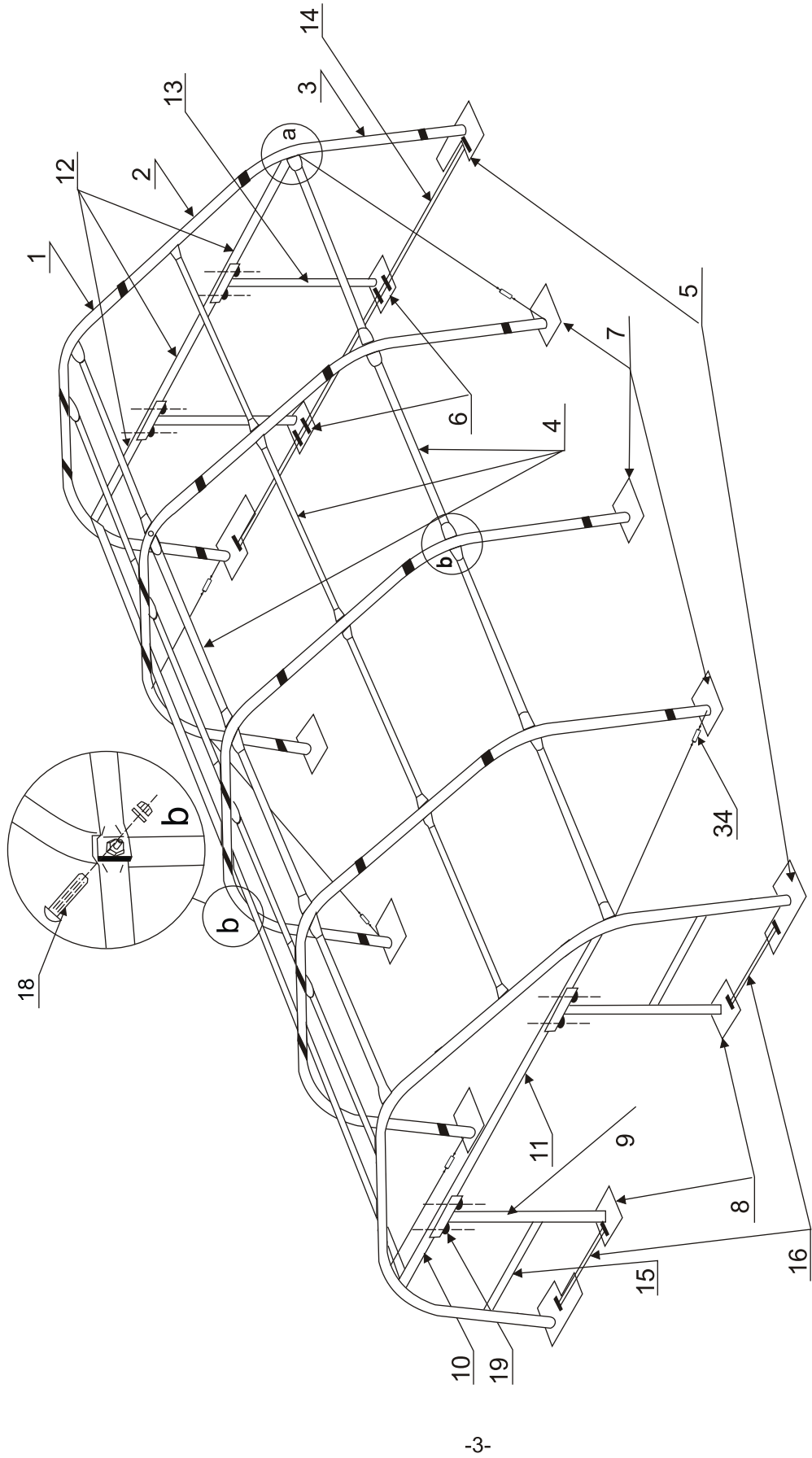
For "User Friendly" assembly we have identified each individual component with our part code number as indicated in the parts list. Please refer to these numbers and drawings to ensure problem free assembly.

### **READ ALL INSTRUCTIONS BEFORE ASSEMBLY**

1. Keep work area clean. Cluttered areas invite injuries.
2. Be aware of your surroundings and leave enough workspace. Do not set up near snow drifts, in slippery places, in high winds, or wet waterlogged location.
3. Keep children away. All children should be kept away from the work area.
4. Don't over reach. Keep proper footing and balance at all times.
5. Do not assemble if under the influence of alcohol or drugs. Read warning labels on prescriptions to determine if your judgment or reflexes are impaired while taking drugs. If there is any doubt, do not assemble.
6. Be aware of possible windy conditions. Consider removing the cover in severe windy conditions
7. Clean off snow before entering. Do not allow snow to sit for extended periods of time.
8. Be careful of the frame. Do not hang anything other than (included parts) from the frame of the Structure. Do not hang from or pull on the tubes. Do not climb on the frame. Do not alter the structure in any way.
9. Be careful with power and heat sources . Do not keep heat sources near the tarpaulin. Do not expose to open flame.
10. Be aware of personal safety during assembly and use. Be careful not to pinch fingers with clips and tubes when assembling.

## Part List of Basic-2424

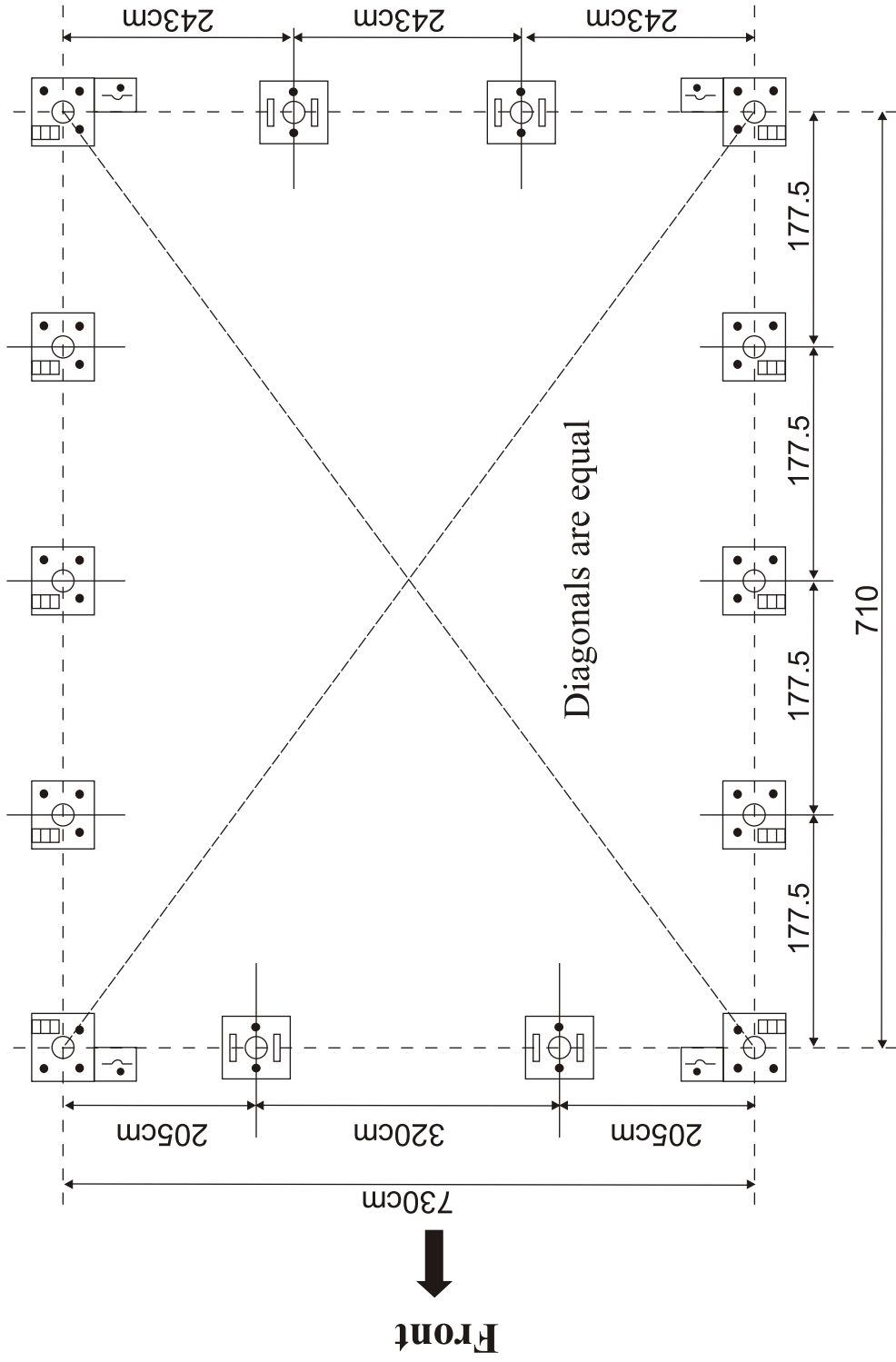
Part Code	Description	Quantity(pc)
1	Top roof curved tube	5
2	Roof curved tube	10
3	Vertical sidewall tubes	6
3A	Vertical sidewall tube in front panel	2
3B	Vertical sidewall tube in back panel	2
4	Horizontal wall and roof purlin	20
5	Base flange of four corner of frame	4
6	Base flange of back end	2
7	Base flange in the middle if sidewall	6
8	Base flange of door frame	2
9	Standing tube of door frame	2
10	Cross tube for door	2
11	Cross tube for door	1
12	Cross tube for back end	3
13	Standing tube of back end	2
14	Tensioning tube for back cover	3
15	Lower cross tube for front end	2
16	Tensioning tube for front cover	2
17-19	Connecting bolt for tubes M8x80mm	100
21	Roof cover	1
22	Lower roof cover tensioning tube (3 pcs. Per set)	2sets
23	Tie down ratchet	10
24	Nylon bands for tensioning roof cover	10
25	Back cover	1
27	Front cover	1
28	Ropes for roof cover, front&back cover	10
30	Stake peg	42
33	Plastic cap for lower roof cover tensioning tube	4
34	Windstabilizers	4



**Figure 1**

**Basic-2424(L7.1 x W7.3 x H4.2m) Frame Sketch**

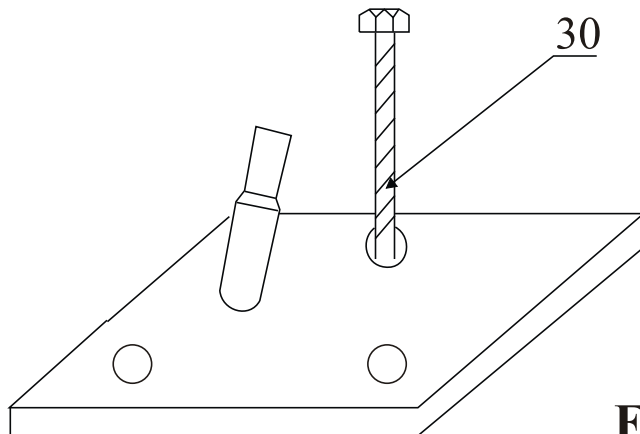
**Base Rail Assembly**



**Figure 2**

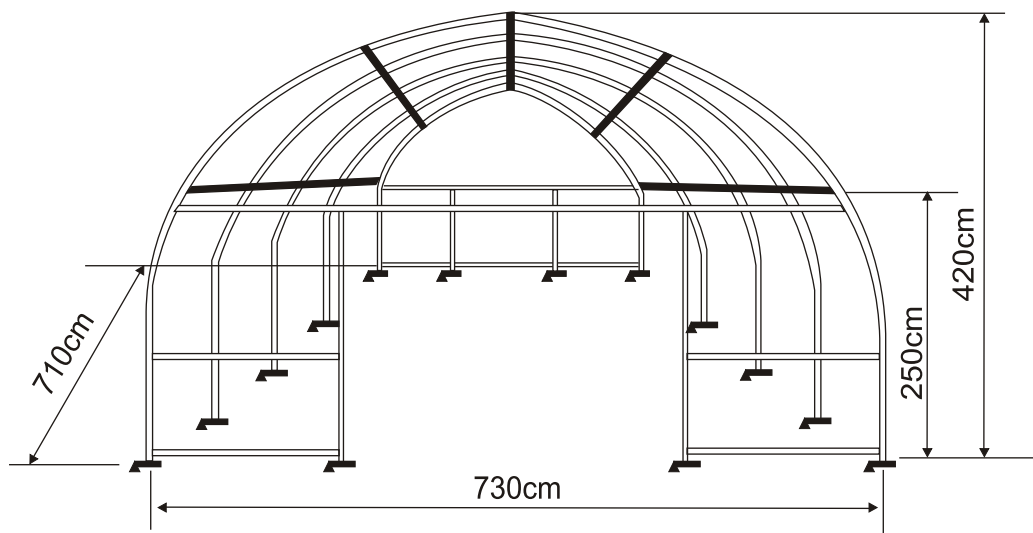
**Figure 3: Flange Base Fixing**

As Figure 3 shows each Flange Base is equipped with three pieces of Stake Pegs(No.30)



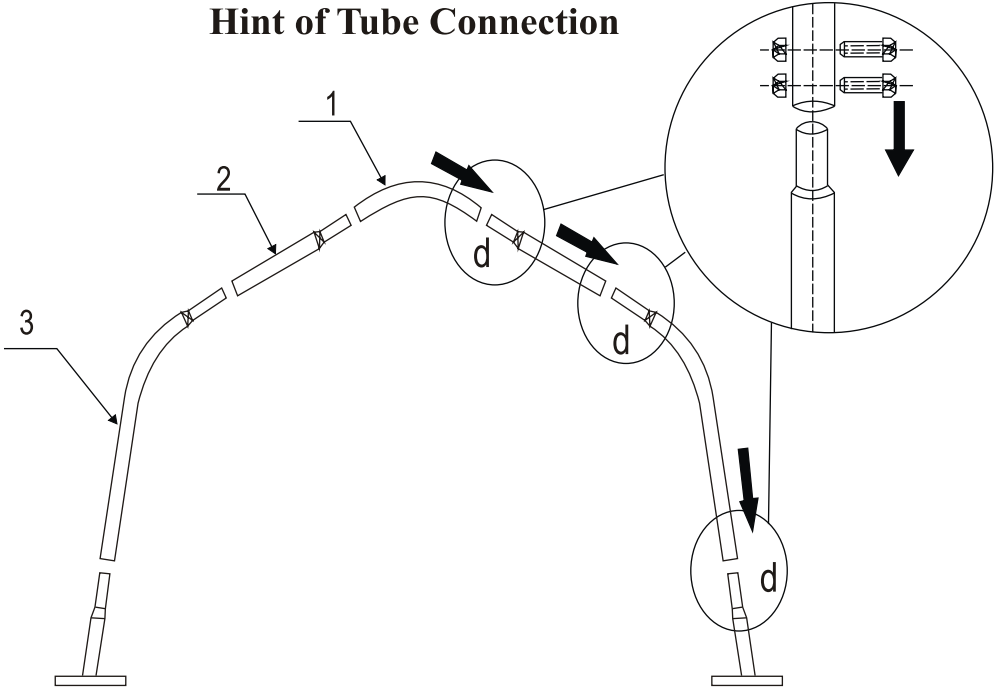
**Figure 3**

### **Drawing of frame size**



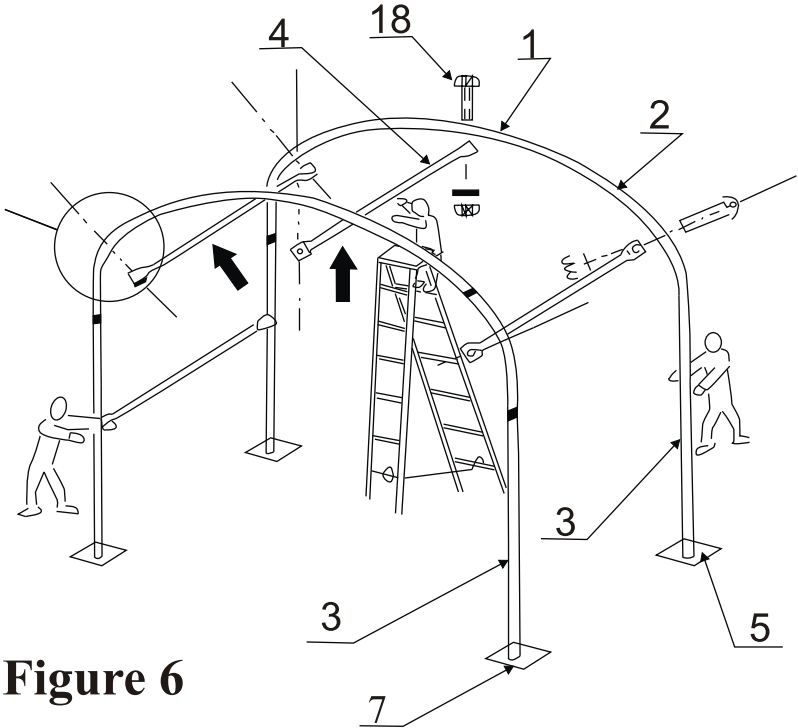
**Figure 4**

**Hint of Tube Connection**



**Figure 5**

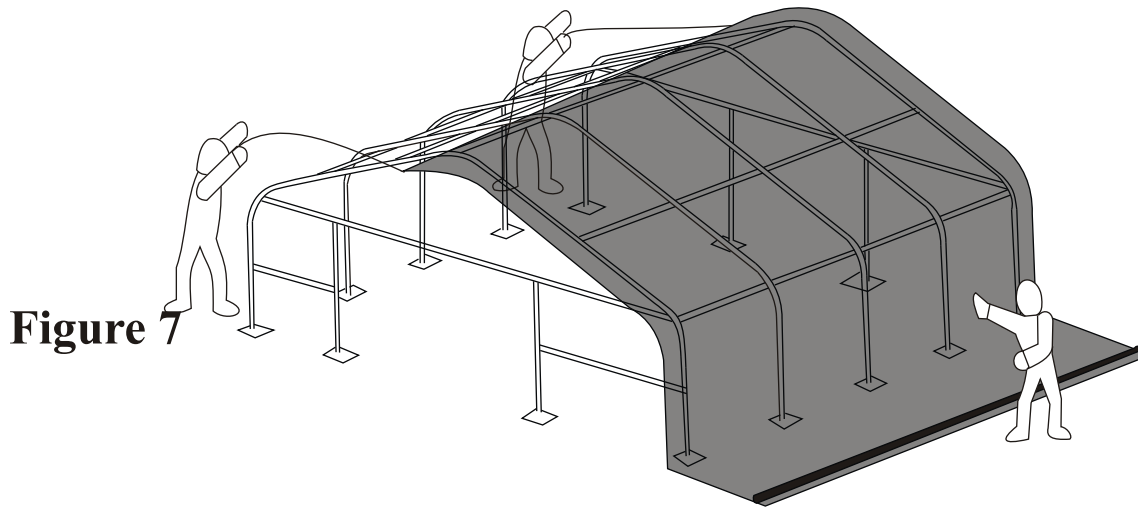
**Hint of Installation if Steel Frame**



**Figure 6**

### Method of roof Cover Installation

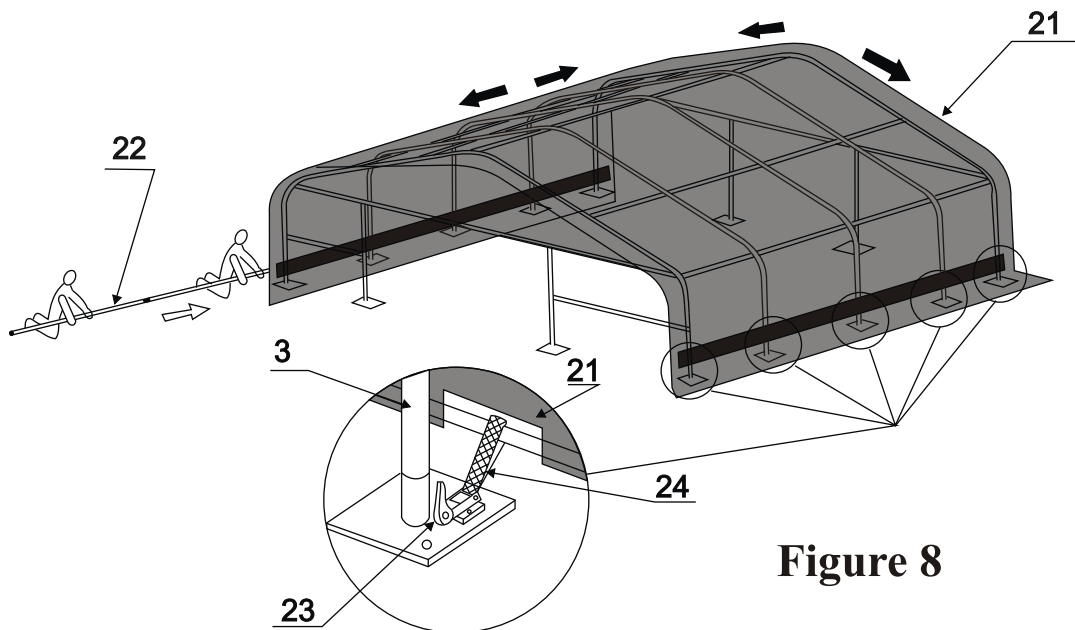
As per Figure 8 pls pull the roof cover over the frame evenly.



**Figure 7**

### Method of roof cover installation

Pls insert the fastening tubes ( NO.22 ) into the "Sleeves" at the bottom of both sides of roof cover. In the meanwhile pls put the tightening bands on to the fastening tube and pull the tightening bands(No.24) through reels of the ratchets tie down(No.23). Pls pull forth and back the ratchets tie down and then finish the fastening of the both sides of roof cover.

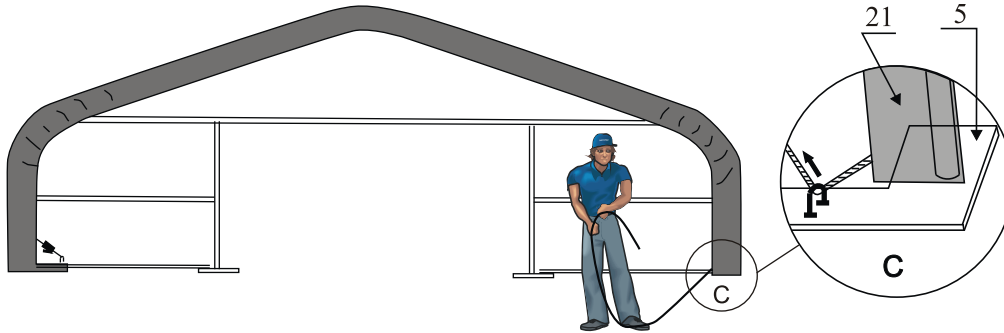


**Figure 8**



## Fastening method of front and back end of Roof Cover

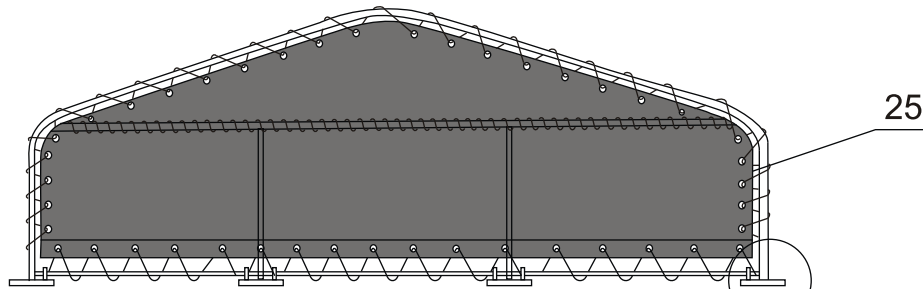
As shown in Figure 10 , Pls tighten the ropes at the ends of four corners of roof cover step by step.. When the roof cover folds to the frame well, pls tie the ends of ropes to the hooks shown in the Figure 10(left) so as to tighten the four ends of roof cover to the maximum.



**Figure 9**

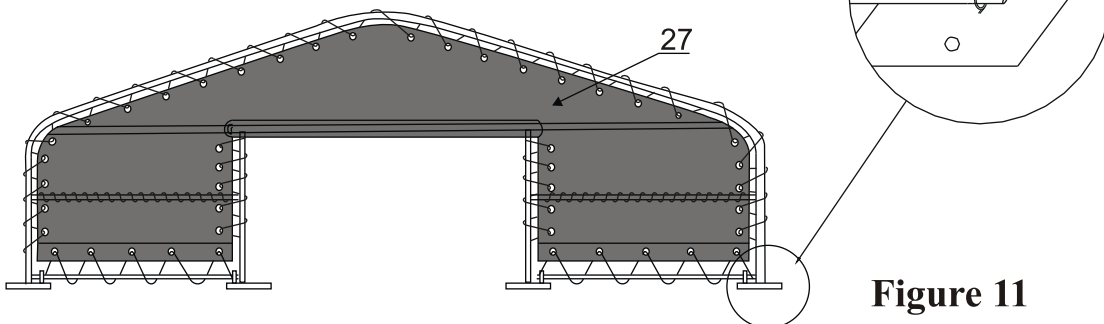
## Method of Back Cover

As shown in Figure 10, use the rope (No.28) to fix the back cover to the back panel.



**Figure 10**

Pls refer the Figure 12 to install the Front Cover



**Figure 11**

Remark Page:

## Assembly Steps

1. Make certain the position of each Base Flanges by measurement and fix them to the ground.
2. Each group of sidewall is made up of Curved Roof Tubes, Sidewall Tubes (Vertical Tubes). Plz assemble every group of sidewall by bolts in turn on the ground, as per figure 'a' shows.
3. Put the left sidewall into the receiving tube on left Base Flange, and push the right sidewall to the receiving tube on right Base Flange. Because it needs tension for every group of sidewall, plz push hard the right sidewall to the receiving tube on right Base Flange, as per figure 'b' and 'c' show.
4. When finishing fixing the first and second groups of sidewall to the Base Flanges, plz install Horizontal Tubes by bolts, as per figure 'd' shows. Plz repeat the above steps to assemble and fix all groups of sidewall and Horizontal tubes.
5. After finishing installation of all sidewalls and horizontal tubes, plz assemble the tubes in front and rear(back) panels. When installing them, plz find the relative parts and assemble them according the figures.
6. After finishing installing frame, plz put the Roof Cover evenly over the frame. Put the Cover Tensioning Tubes through the pockets at the bottom of both sides of roof cover. Then pull the Tie Down Ratchets forth and back to tension the roof cover. Then plz fasten the end of roof cover by ropes and tie up the ropes to the flanges well.
7. Plz fix the front and rear(back) cover to the frame by the parts according to the figures shows.

This is a general step of assembly, plz kindly finish the other small steps such as the door installation by yourself.

