

**DANCOVER<sup>®</sup>**



Storage tent  
L3,0xW2,5xH2,3m

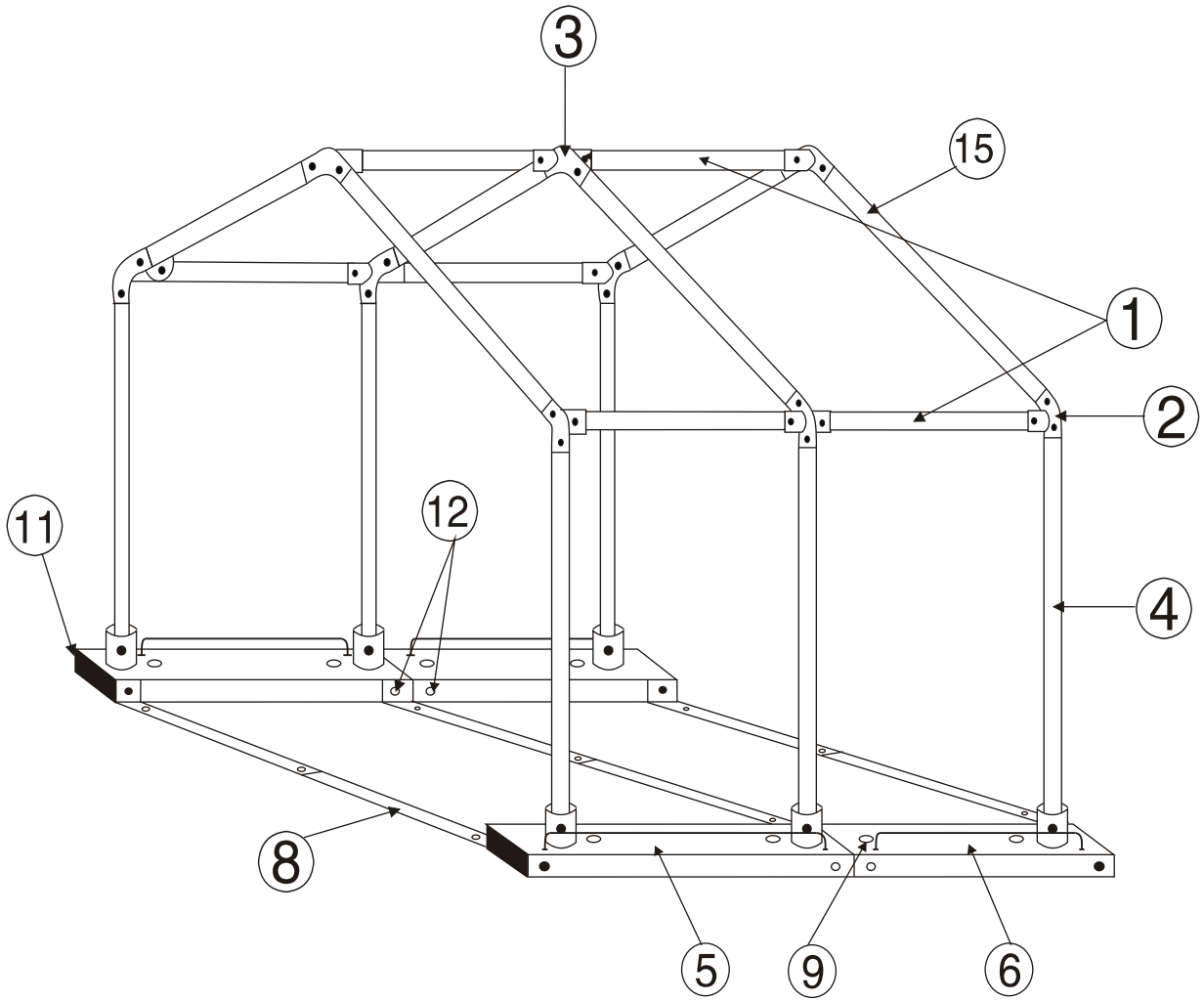
# SAFETY INSTRUCTIONS

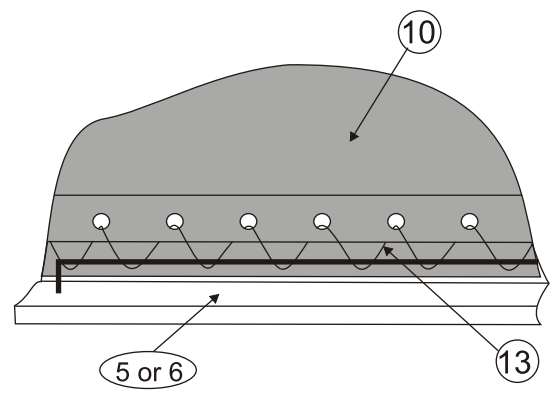
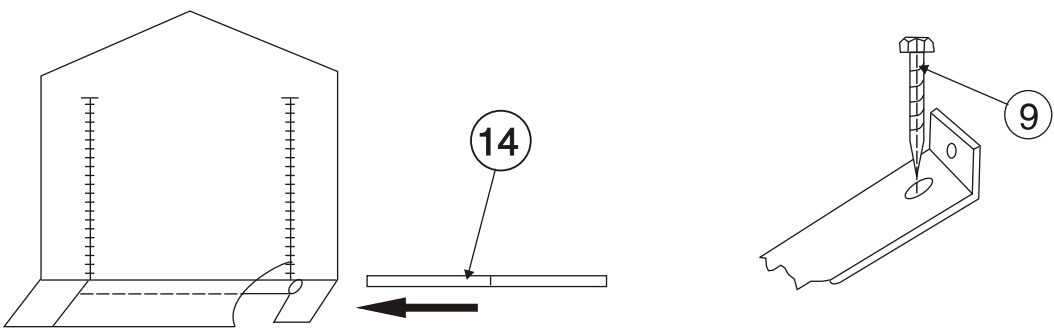
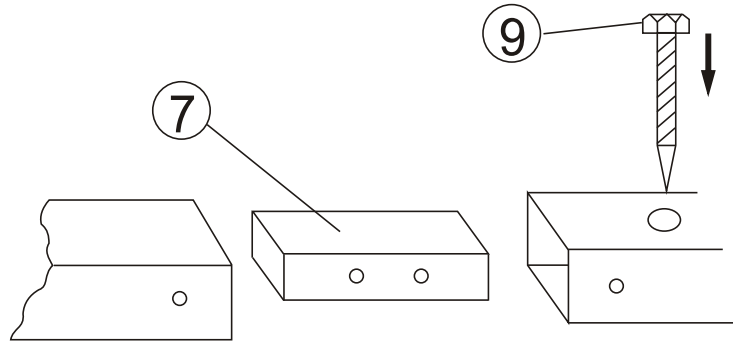
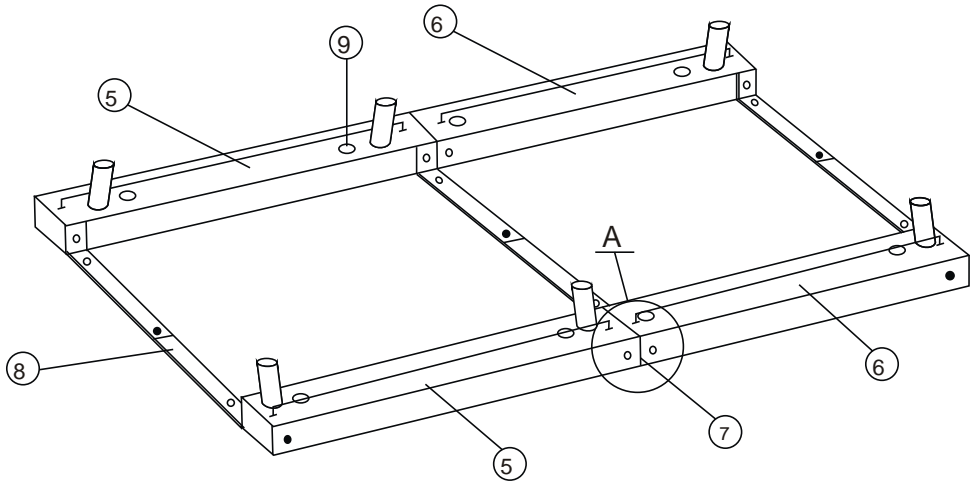
1. Keep working area clean.
2. Do not install on a windy day, on slippery surface, etc.
3. Do not let children to the working area.
4. Hold steady footing.
5. Do not install when under influence of drugs or alcohol.
6. Avoid setting on a windy area. Install preferably on a concrete base. Remove tarpaulin during string wind.
7. Remove heavy snow from the top, and always before stepping in the tent.
8. Do not hurt your fingers while setting up the frame tubing.
9. Use only for storing of materials. This tent is not intended for sheltering humans or animal, not even temporarily. Do not make any structural changes.
10. Do not hang anything from the frame tubing. Do not climb on the tent, do not hang from the top tubes.
11. Do not use such heaters in the tent which might set it on fire.

Note: the individual parts are numbered as per the parts list for your installation convenience. Finally, check that all the nuts and bolts are tightened well.

## Part list of Basic-250A

| Part code | Description                      | Quantity(pc.) |
|-----------|----------------------------------|---------------|
| 1         | Horizontal rod                   | 6             |
| 2         | 3-way-in-1 bracket               | 6             |
| 3         | 4-way-in-1 bracket               | 3             |
| 4         | Vertical rod                     | 6             |
| 5         | Base square tube                 | 2             |
| 6         | Base square tube                 | 2             |
| 7         | Base connecting square tube      | 2             |
| 8         | Base connecting flat bracing     | 3             |
| 9         | Base fastening stake             | 14            |
| 10        | Tarpaulin                        | 1             |
| 11        | Plastic cap for base square tube | 4             |
| 12        | Base connection screw            | 8             |
| 13        | Tensioning rope                  | 2             |
| 14        | Dropping rod for door cover      | 4             |
| 15        | Roof slanting rod                | 6             |





## Contact information

### Head office:

Dancover A/S  
Nordre Strandvej 119 G  
3150 Hellebæk  
Denmark

For more information  
please visit:  
[www.dancovershop.com](http://www.dancovershop.com)

## National contact

### Denmark:

[denmark@dancover.com](mailto:denmark@dancover.com)

### UK:

[uk@dancover.com](mailto:uk@dancover.com)

### Germany:

[germany@dancover.com](mailto:germany@dancover.com)

### France:

[france@dancover.com](mailto:france@dancover.com)

### Sweden:

[sverige@dancover.com](mailto:sverige@dancover.com)

### Finland:

[suomi@dancover.com](mailto:suomi@dancover.com)

### Poland:

[polska@dancover.com](mailto:polska@dancover.com)

### Luxembourg:

[luxembourg@dancover.com](mailto:luxembourg@dancover.com)

### Spain:

[espana@dancover.com](mailto:espana@dancover.com)

### Italy:

[italia@dancover.com](mailto:italia@dancover.com)

### Switzerland:

[schweiz@dancover.com](mailto:schweiz@dancover.com)

### Austria:

[austria@dancover.com](mailto:austria@dancover.com)

### Norway:

[norge@dancover.com](mailto:norge@dancover.com)

### Nederland:

[nederland@dancover.com](mailto:nederland@dancover.com)

### Ireland:

[ireland@dancover.com](mailto:ireland@dancover.com)

### Belgium:

[belgique@dancover.com](mailto:belgique@dancover.com)