

DANCOVER[®]



Manual for
Pagoda Tent EventZone
3x3m 4x4m & 5x5m

DANCOVER[®]

.com

Safety Advice

Attention

In some countries approval is needed to set up a marquee/tent larger than 75 m². It is your responsibility to comply with local rules and regulations and to ensure that the marquee/tent is assembled correctly.

In case of bad weather conditions, it is your responsibility to ensure the marquee/tent is safely secured and that the marquee/tent does not cause damage to others.

Do not use open fire, welding equipment or other sources which can ignite, inside or close to the tent.

The marquee/tent must be safely secured. We recommend you secure your marquee/tent with straps and pegs as soon as it is assembled.

Make sure to check if the marquee/tent is covered by your home contents insurance.

Marquees/tents must be evacuated under extreme weather conditions.

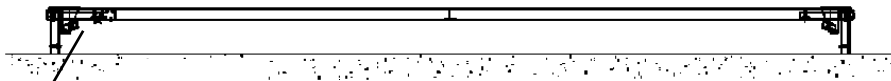
In the event of snow always remove snow from the roof of the marquee/tent regularly to prevent snow from building on the roof as heavy snow can cause the marquee/tent to collapse.

In the event of rain there is a risk of rain puddles building up on top of the roof of the marquee/tent. Heavy rain puddles can cause the roof to collapse. It is your responsibility to ensure rain puddles do not build up. As a precaution, make sure the roof of the marquee/tent is stretched out properly and adequately over the side frames of the marquee/tent and remove rain water regularly.

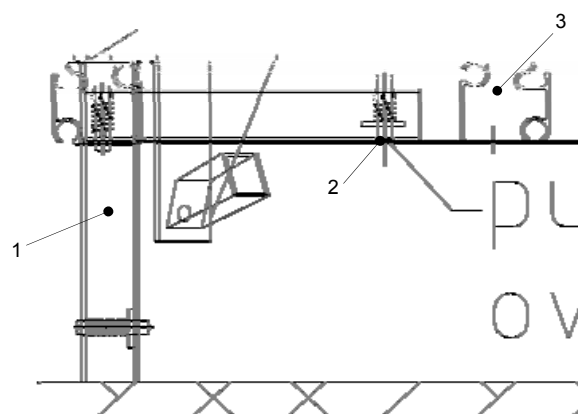
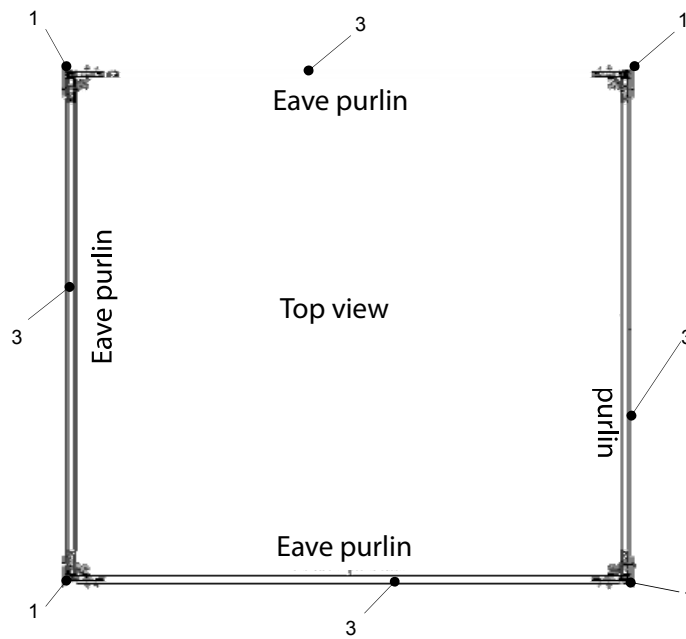
Note: Marquees are intended for events and other arrangements and are as such only meant for short term temporary assembly and the following disassembly. Dancover warranty applies only to the normal use of the Product, normal wear and tear excepted, in accordance with written use instructions or manual. The warranty does not apply to damage caused by accident, abuse, misuse, or modification of the Product.

Please always check our website for the latest safety advice and manual.

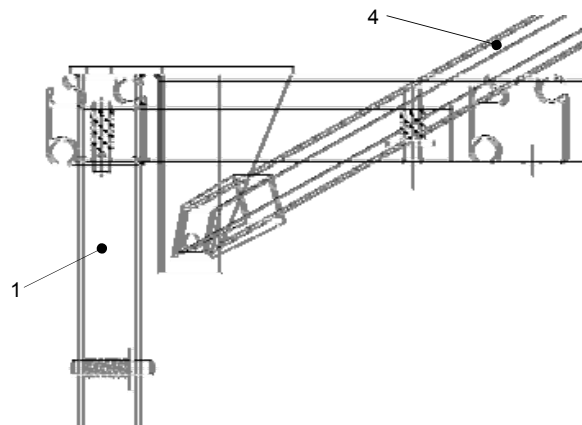
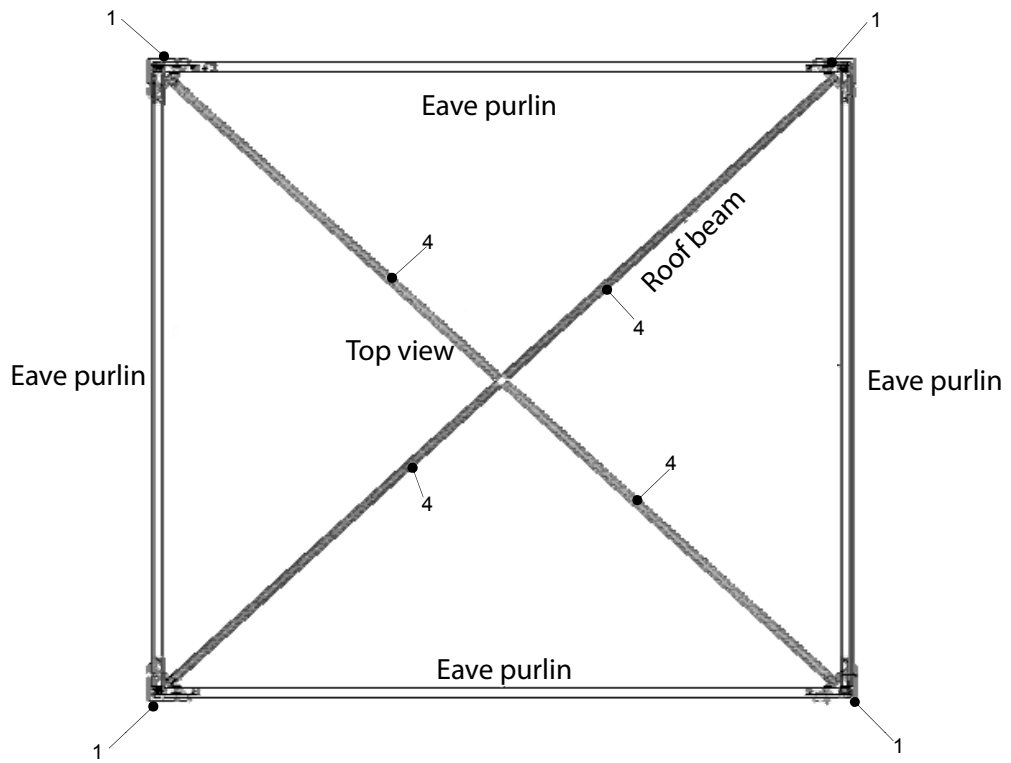
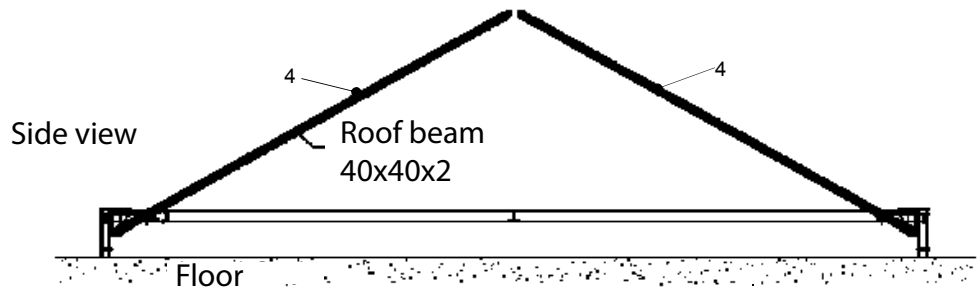
Side view



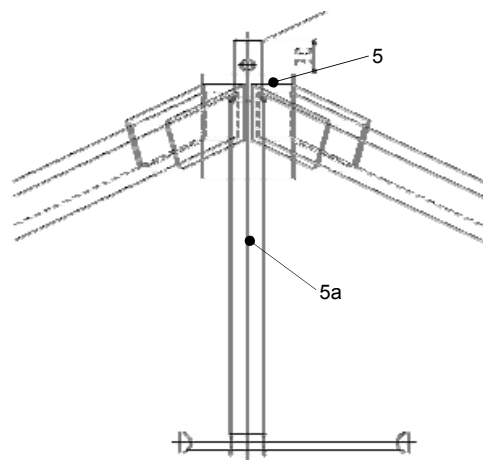
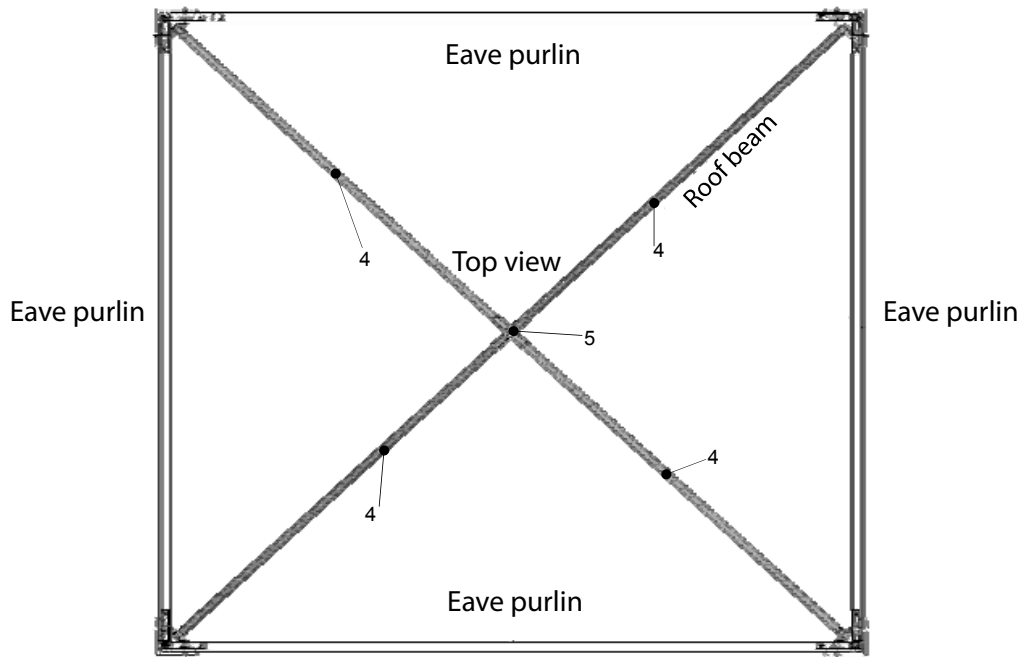
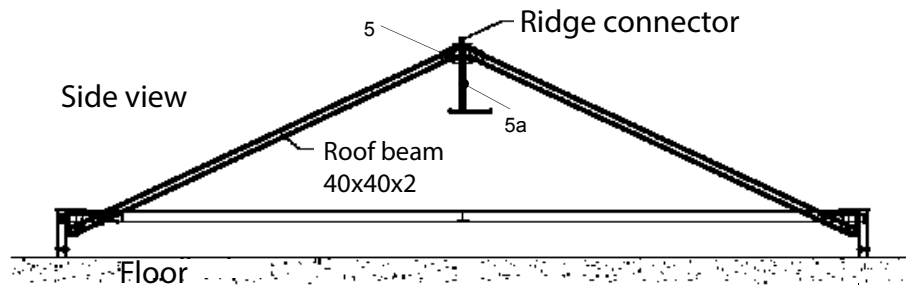
Push the bolt and take the eave purlin over the eave knuckle



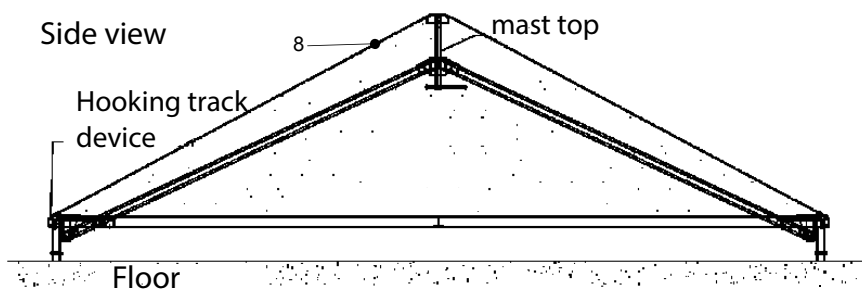
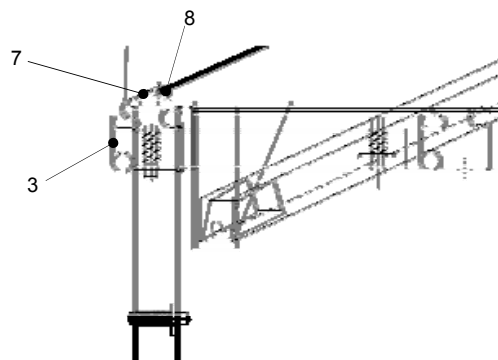
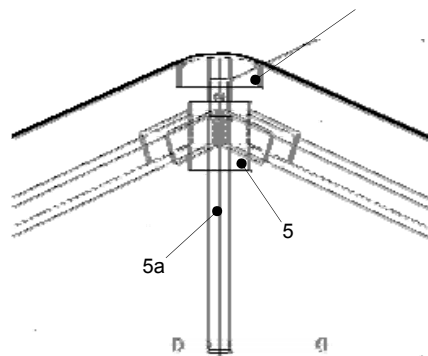
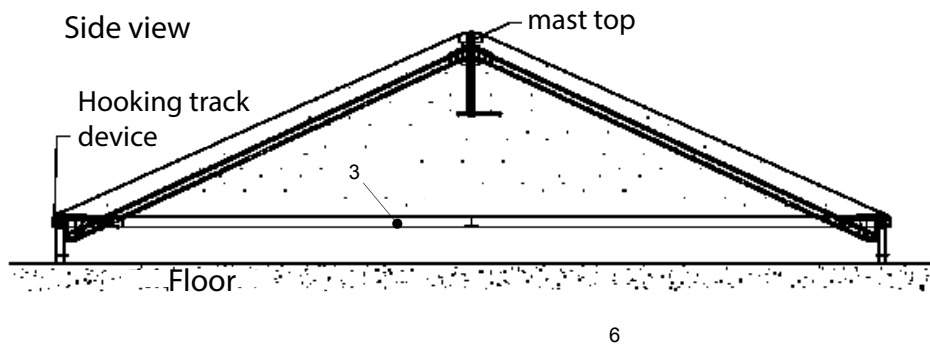
- 1.) Take the eave-connector and push in the bolt, then fit the eave-purlin over the tube 40x40 until the bolt (2) slides in the hole. Repeat for all 4 corners, see drawing above.



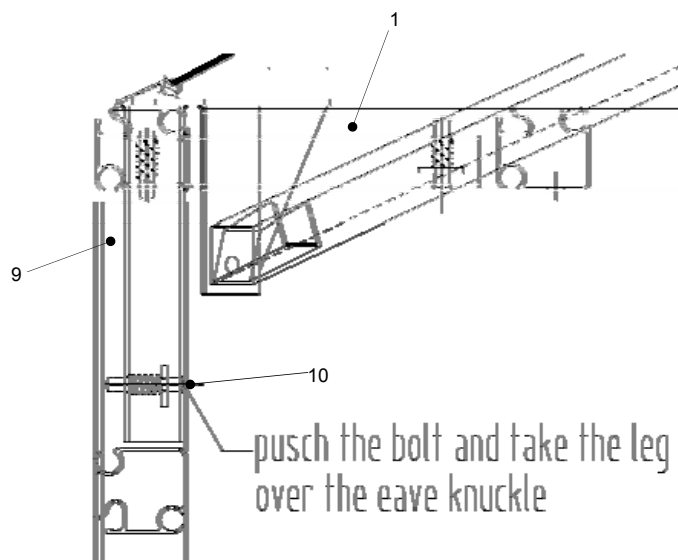
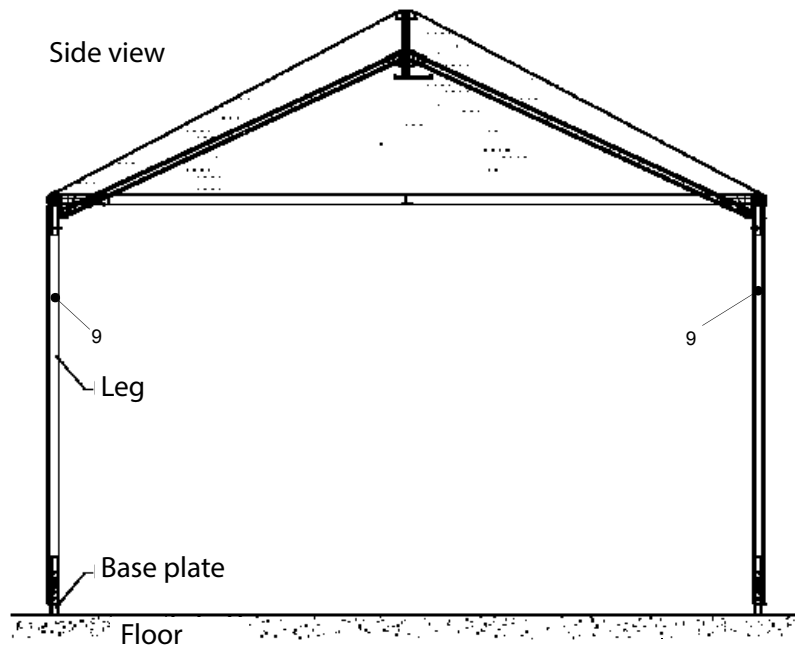
- 2.) Take the beams (4) and fit these in eave-connectors (1).
Repeat at all four eave corners.



3.) Take the ridge-piece (5) and turn the spindle (5a) down until the top comes out 3 cm. Lift the beams (4) to fit them in the ridge connectors, smoothly.

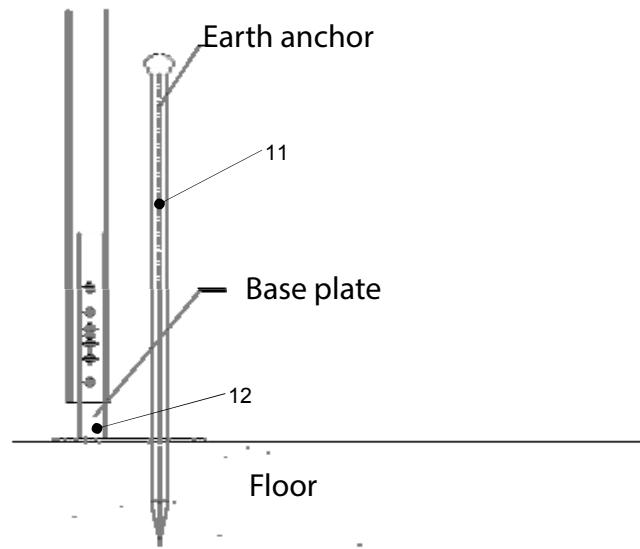
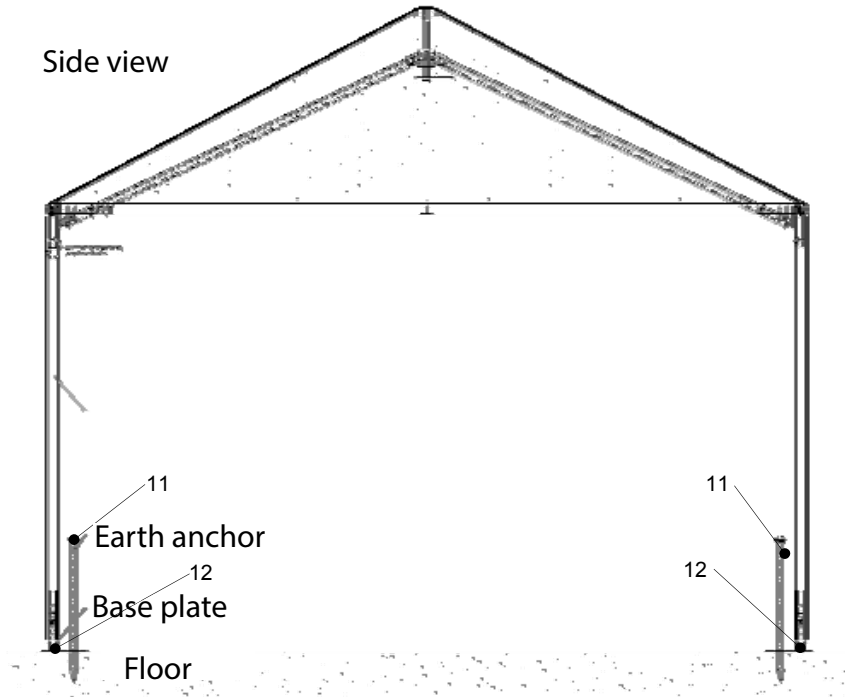


- 4.) Fit the top-cap (6) onto the spindle (5a) and put the roof-cover over the frame. Fix the in the channel-groove (7) of the roof-cover (8) on all 4 sides. Hook the track-device in the eave-purlins (3) and span the roof by turning the spindle (5a) until the required tensioning is reached.



- 5.) Lift the 4 legs and push the bolt (10), slide the legs over the eave connector until the bolt slides in.

Side view



6.) Take the pagoda in position. After this fix the side-covers. Hit the earth-anchors (11) into the available holes of the base-plate (12). Each pagoda, comes with 4 earth-anchors.

Contact information

Head office:

Dancover A/S
Nordre Strandvej 119 G
3150 Hellebæk
Denmark

For more information
please visit:
www.dancovershop.com

National contact

Denmark:

denmark@dancover.com

UK:

uk@dancover.com

Germany:

germany@dancover.com

France:

france@dancover.com

Sweden:

sverige@dancover.com

Finland:

suomi@dancover.com

Poland:

polska@dancover.com

Luxembourg:

luxembourg@dancover.com

Spain:

espana@dancover.com

Italy:

italia@dancover.com

Switzerland:

schweiz@dancover.com

Austria:

austria@dancover.com

Norway:

norge@dancover.com

Nederland:

nederland@dancover.com

Ireland:

ireland@dancover.com

Belgium:

belgique@dancover.com