

DANCOVER[®]



Party tent
3m PVC Series

DANCOVER[®]



.com

Safety Advice

Attention

In some countries approval is needed to set up a tent larger than 75 m².

The owner of the tent has the sole responsibility to make sure that these local rules are followed and that the mounting is correct.

In case of bad weather conditions, it is your responsibility to ensure that people inside are safe and that the tent does not cause damage to others.

Do not use open fire, welding equipment or other ignition sources in the tent. Though the fabric is made of flame retardant material it can still burn.

It is always recommended that you secure your tent properly with safety straps and augers when you put up the structure.




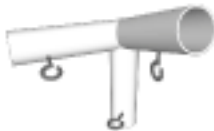









We recommend you to insure the tent, or check if it is covered by home contents insurance, in case of unplanned events, accidents or bad weather.

Tents are meant as temporary shelter and must be evacuated under extreme weather conditions.

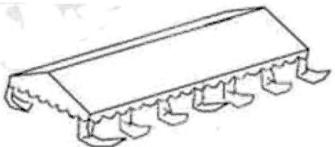
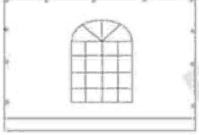
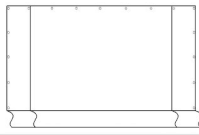
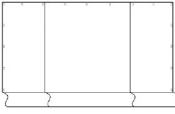
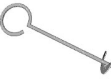
This structure is not tested for specific snow and wind loads. That's why we always recommend to remove snow from the top.

Attention: Marquees are made for use at parties and other festive arrangements and are as such only meant for short term temporary assembly and the following disassembly. Please note that the warranty will not apply if used in any other way.

Part list.

Part No.	Part	6m	8m	10m
No. 01		8 PCS	10 PCS	12 PCS
No. 02		9 PCS	12 PCS	15 PCS
No. 04		8 PCS	10 PCS	12 PCS
No. 06		4 PCS	4 PCS	4 PCS
No. 07		4 PCS	6 PCS	8 PCS
No. 08		2 PCS	2 PCS	2 PCS
No. 09		2 PCS	3 PCS	4 PCS
No. 10		8 PCS	10 PCS	12 PCS
No. 11		36 PCS	42 PCS	48 PCS
No. 12		84 PCS	102 PCS	120 PCS
No. 13		14 PCS	14 PCS	14 PCS
No. 14		42 PCS	54 PCS	66 PCS
No. 15		4 PCS	4 PCS	4 PCS

Part list.

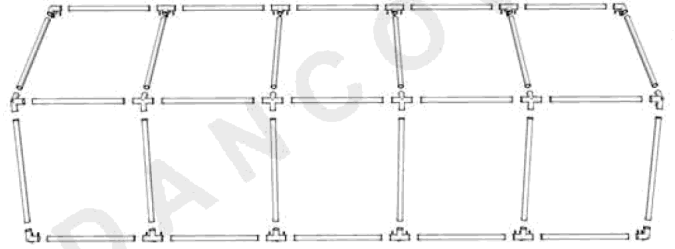
Part No.		6m	8m	10m
No. 16		1 PC	1 PC	1 PC
No. 17		6 PCS	8 PCS	10 PCS
No. 18		1 pc	1 pc	1 pc
No. 19		1 pc	1 pc	1 pc
No. 20		4 pcs	4 pcs	4 pcs

WWW.Dancovershop.com

Assembly

Step 1: Lay out all roof tubes and connectors as shown.

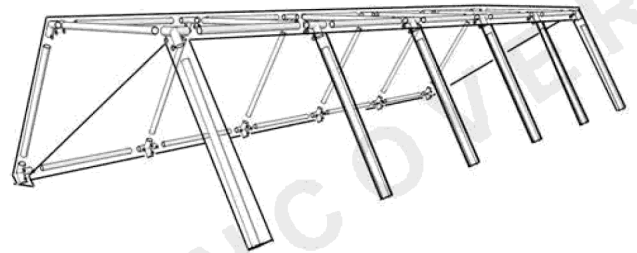
Step 2: Join the roof tubes and connectors from middle and out.
See Roof Assembly.



Step 3: Apply legs in one side as shown.

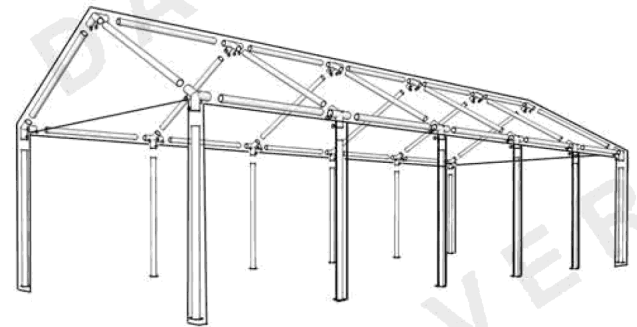
Step 4: Put the roof cover on and tie down with bungeeballs as shown.

* Note: Tie some of the bungees in one side and then some in the other. Continue this until all bungees are in place



Step 5: Raise the legs in the opposite site.

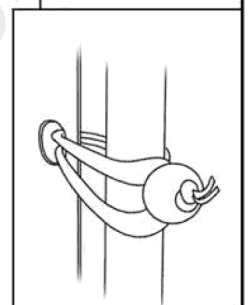
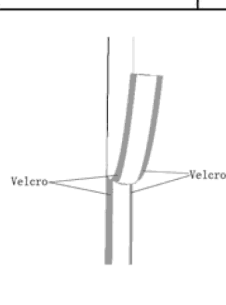
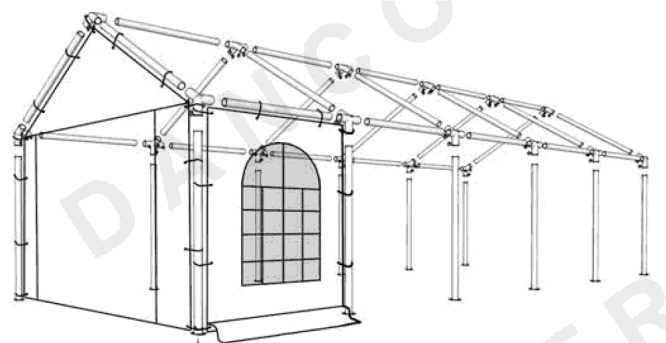
Step 6: Make sure the cover is fastened.



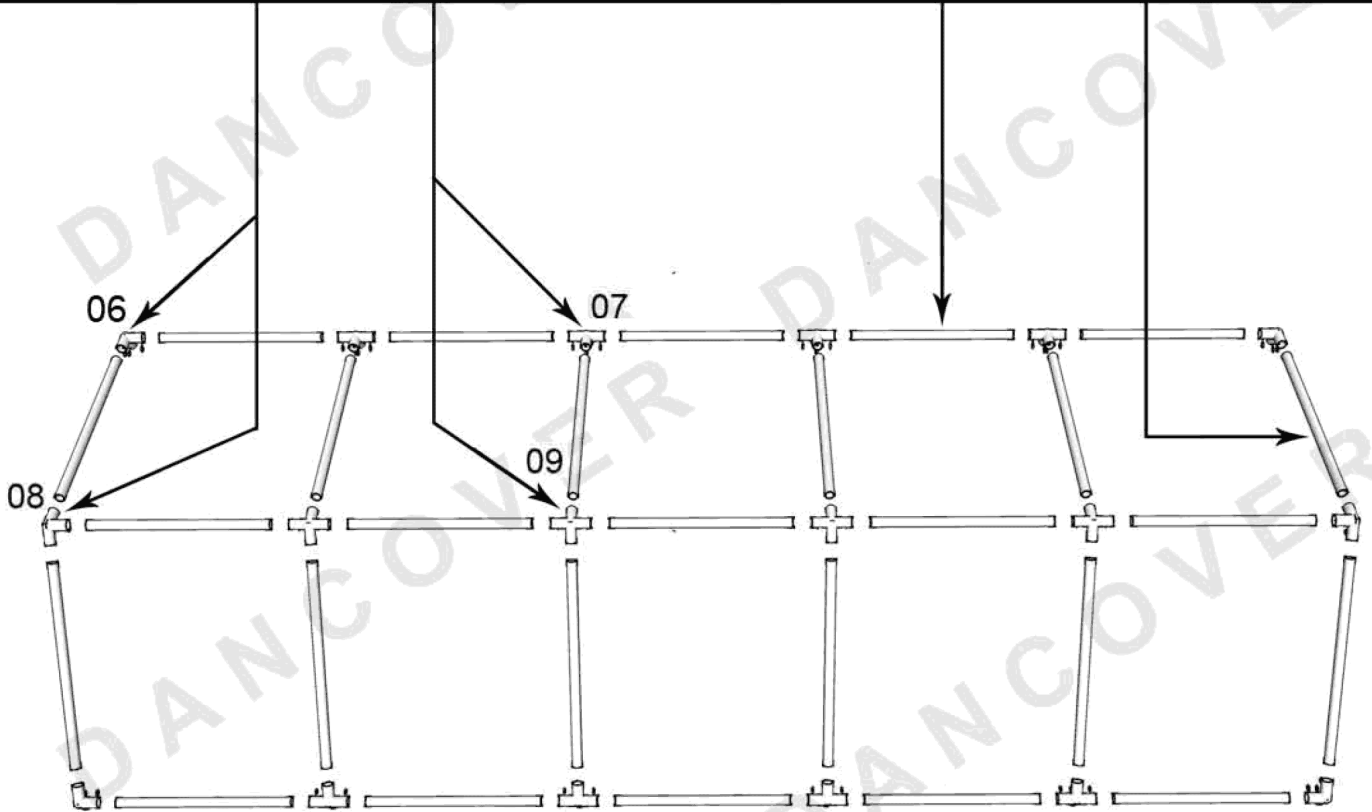
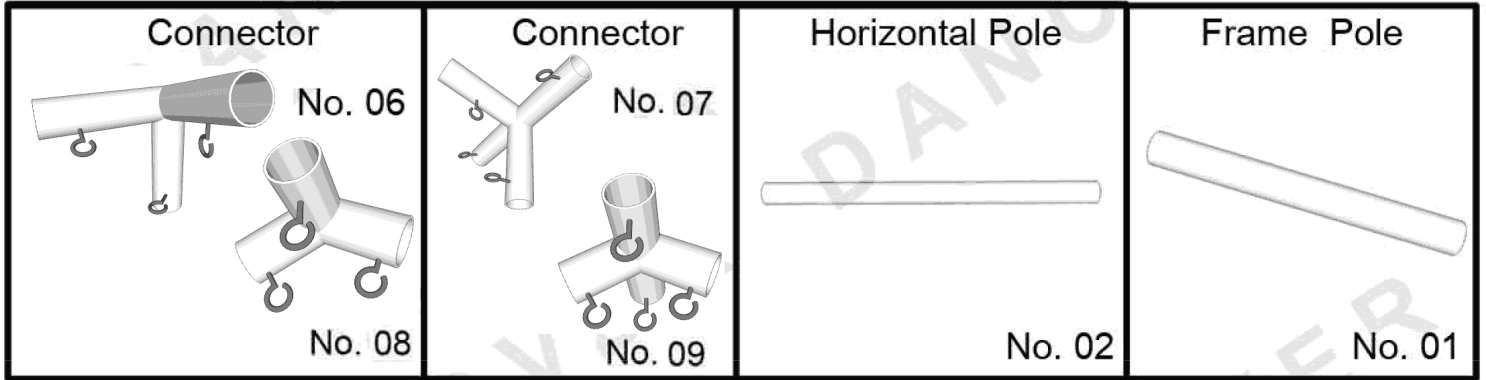
Step 7: Attach sidewalls with bungeeballs as shown.

Step 8: Attach endwalls with bungeeballs As shown.

Step 9: Connect leg cover with sidewall and endwall by velcro as shown



Roof Assembly



Step 1: Lay out all roof tubes and connectors as shown above.

Step 2: Join the roof tubes and connectors from middle and out.

DANCOVER®

DANCOVER[®]

.com

Contact information

Head office:

Dancover A/S
Nordre Strandvej 119 G
3150 Hellebæk
Denmark

For more information
please visit:
www.dancovershop.com

National contact

Denmark:
denmark@dancover.com

UK:
uk@dancover.com

Germany:
germany@dancover.com

France:
france@dancover.com

Sweden:
sverige@dancover.com

Finland:
suomi@dancover.com

Poland:
polska@dancover.com

Luxembourg:
luxembourg@dancover.com

Spain:
espana@dancover.com

Italy:
italia@dancover.com

Switzerland:
schweiz@dancover.com

Austria:
austria@dancover.com

Norway:
norge@dancover.com

Nederland:
nederland@dancover.com

Ireland:
ireland@dancover.com

Belgium:
belgique@dancover.com