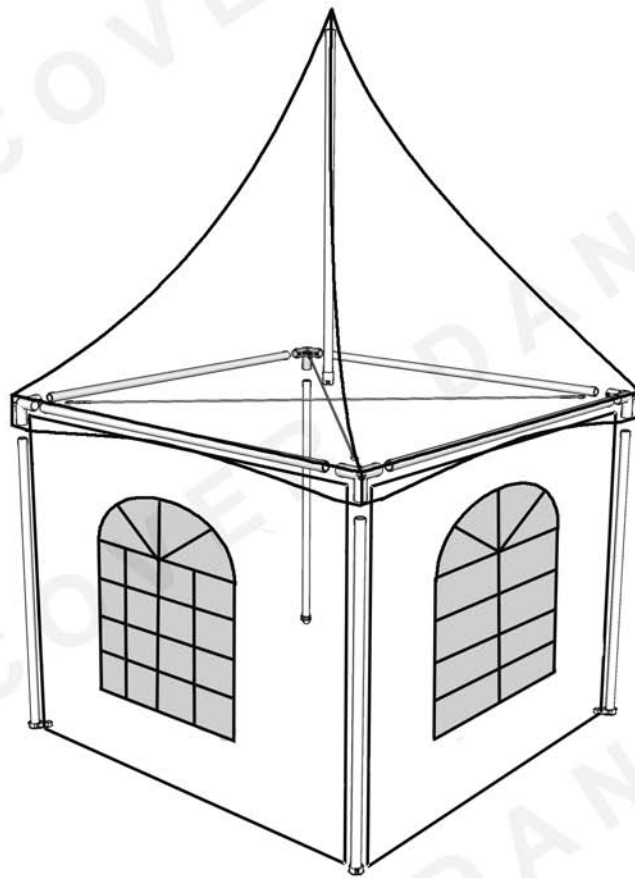


# Marquee 3 x 3 m Assembly Guide



**DANCOVER**®

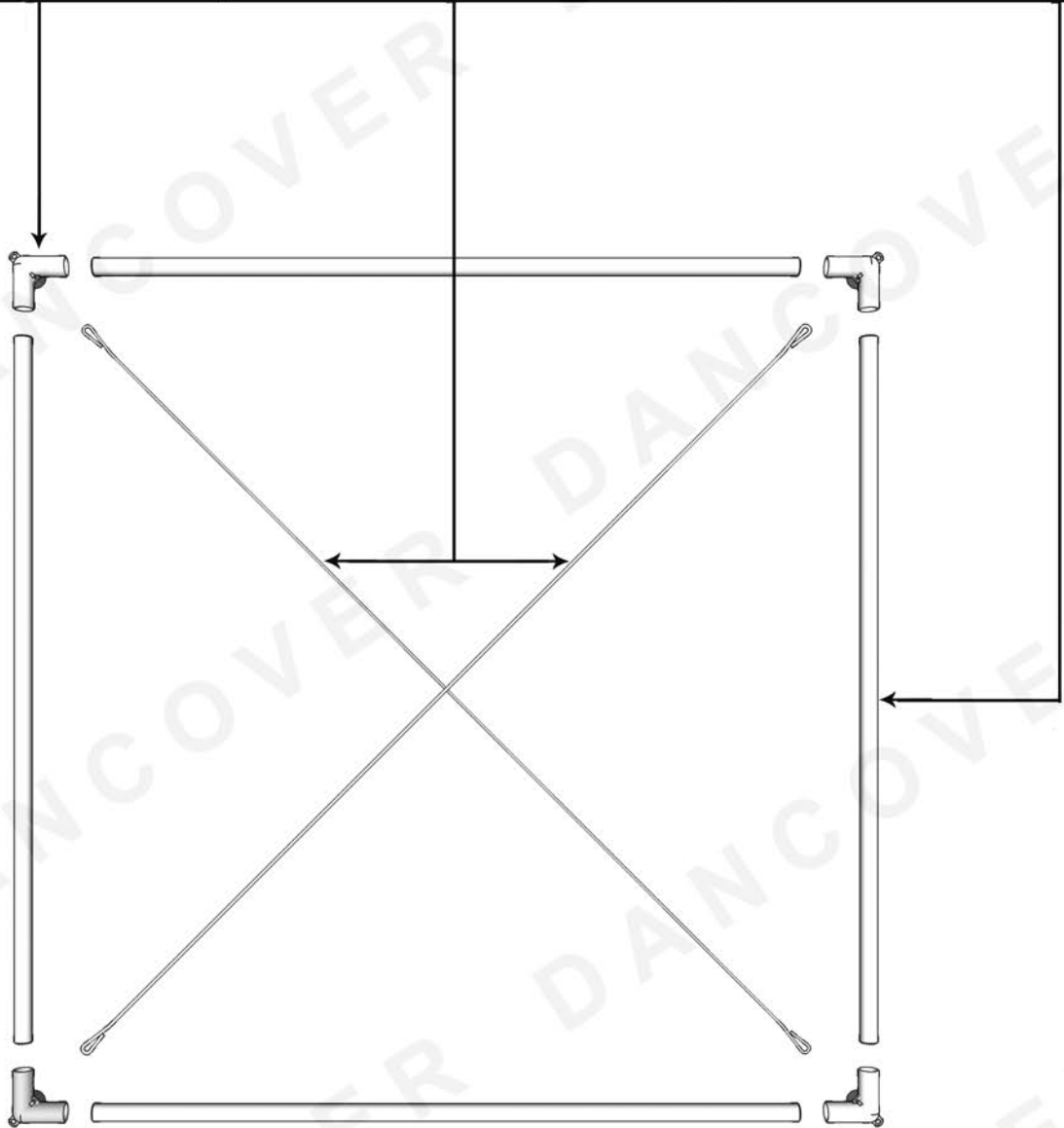
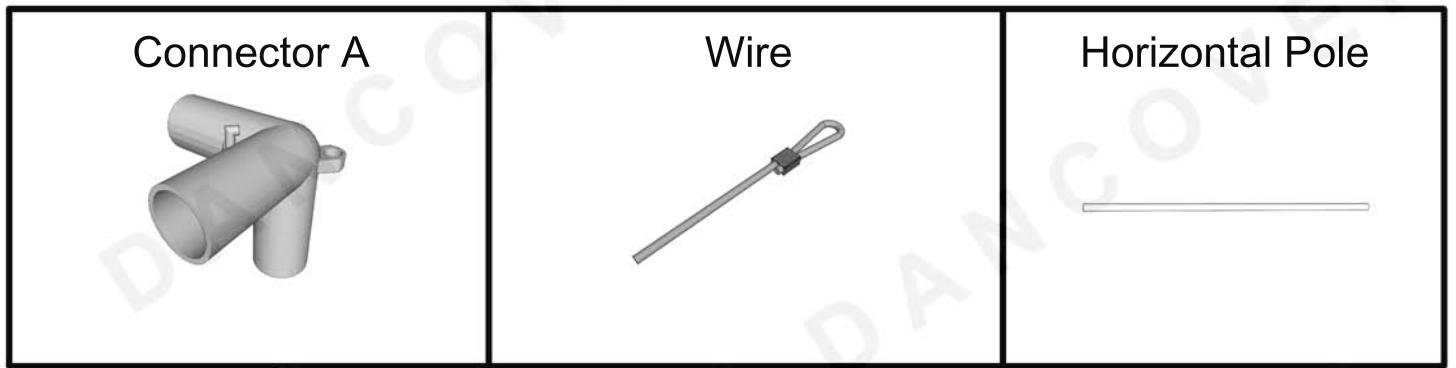




## Warning!:

1. To avoid rust you may experience oil on the poles, please remember to remove oil to keep the cover clean.
2. Do not force any of the parts together or the frame into place as it may be damaged.
3. Tents are meant as temporary shelters and must be evacuated under extreme weather conditions.
4. If tent is set up in an environment with a temperature below 0 degrees celsius, take ekstra care when handling the sides with windows to avoid breaking these. Please unfold the window sides in a heated environment to avoid damaging the windows

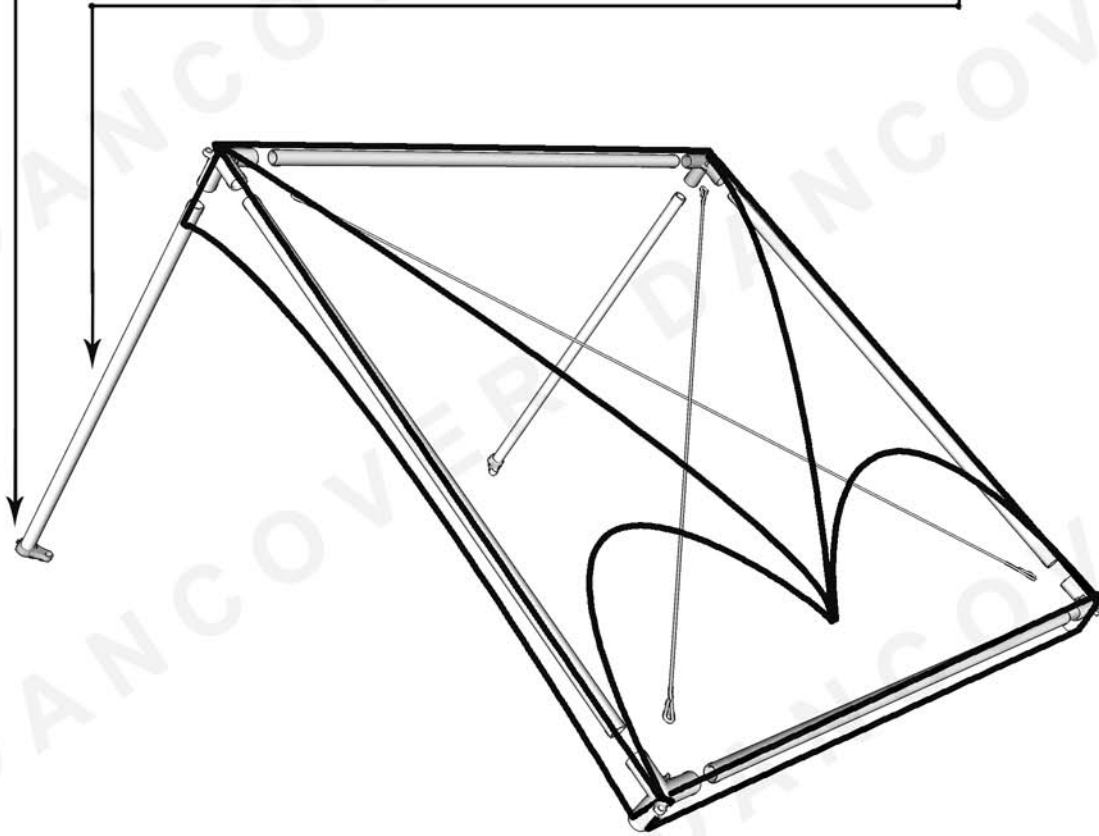
# Assembly



**Step 1:** Lay out the horizontal frame on the ground.

**Step 2:** Join the frame as shown above.

# Assembly

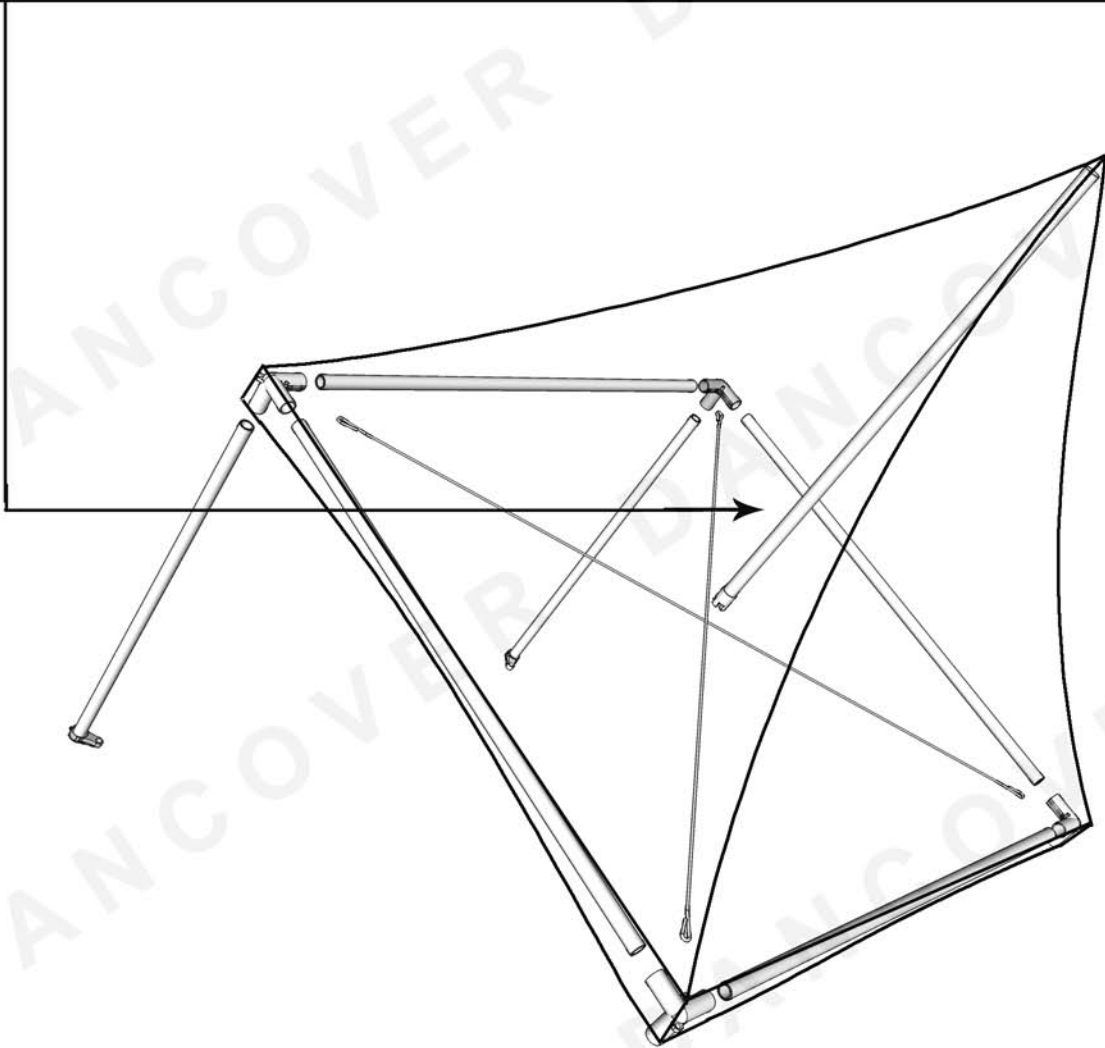


**Step 3:** Apply the legs for one side raising that side.

**Step 4:** Apply the roof cover, make sure to tie in the corners.

# Assembly

Vertical Pole



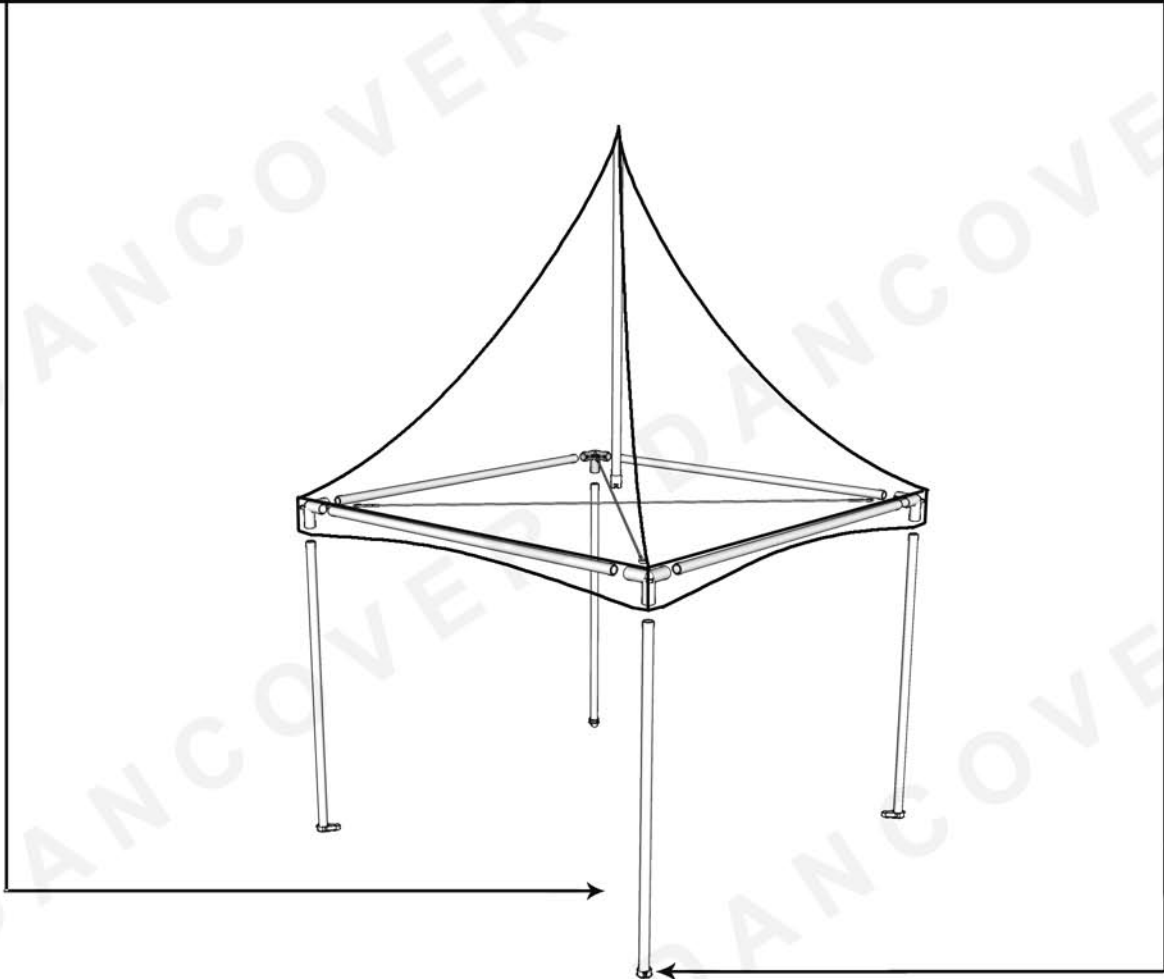
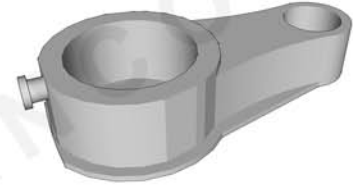
**Step 5:** Raise the roof point with the vertical pole.

# Assembly

Leg



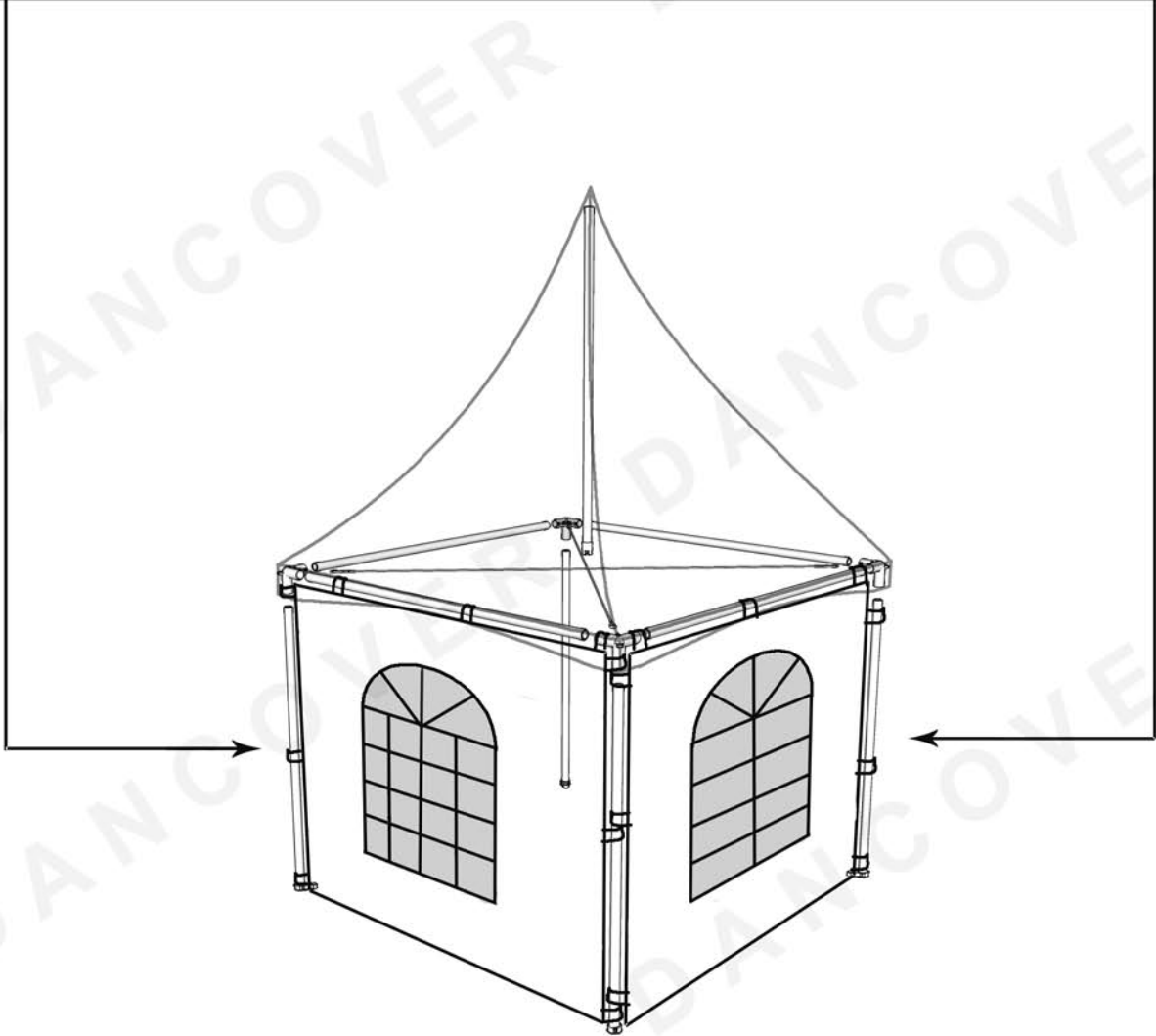
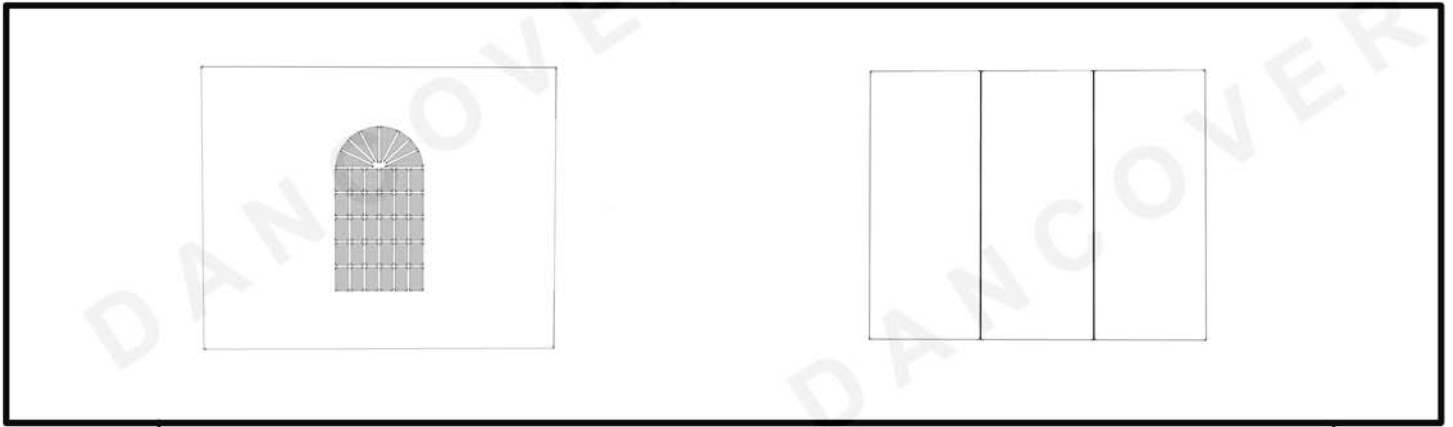
Connector C



**Step 6:** Raise the last 2 legs.

**Step 7:** Tighten the roof cover with the tensioning rope.

# Assembly



**Step 8:** Apply the 4 sides

**Step 9:** Make sure everything is tightened and apply the straps and stake pegs.



# DANCOVER®

## Contact Information

Head office:

Dancover A/S  
Nordre Strandvej 119 G  
3150 Hellebæk  
Danmark

National Contact:

Denmark:  
mail@dancover.dk  
70267620

Spain:  
Espana@dancover.com  
902 906 098

UK:  
Mail@dancover.co.uk  
020 7221 0220

Italy:  
italia@dancover.com  
02 303 75317

Germany:  
mail@dancover.de  
041 0266 7040

Switzerland:  
schweitz@dancover.com  
0840000125

France:  
france@dancover.com  
0810 000 219

Austria:  
austria@dancover.com  
0662 626 935

Sweden:  
mail@dancover.se  
040 233 262

Norway:  
mail@dancover.dk  
231 00 690