

6x6m Party Tent Assembly Guide



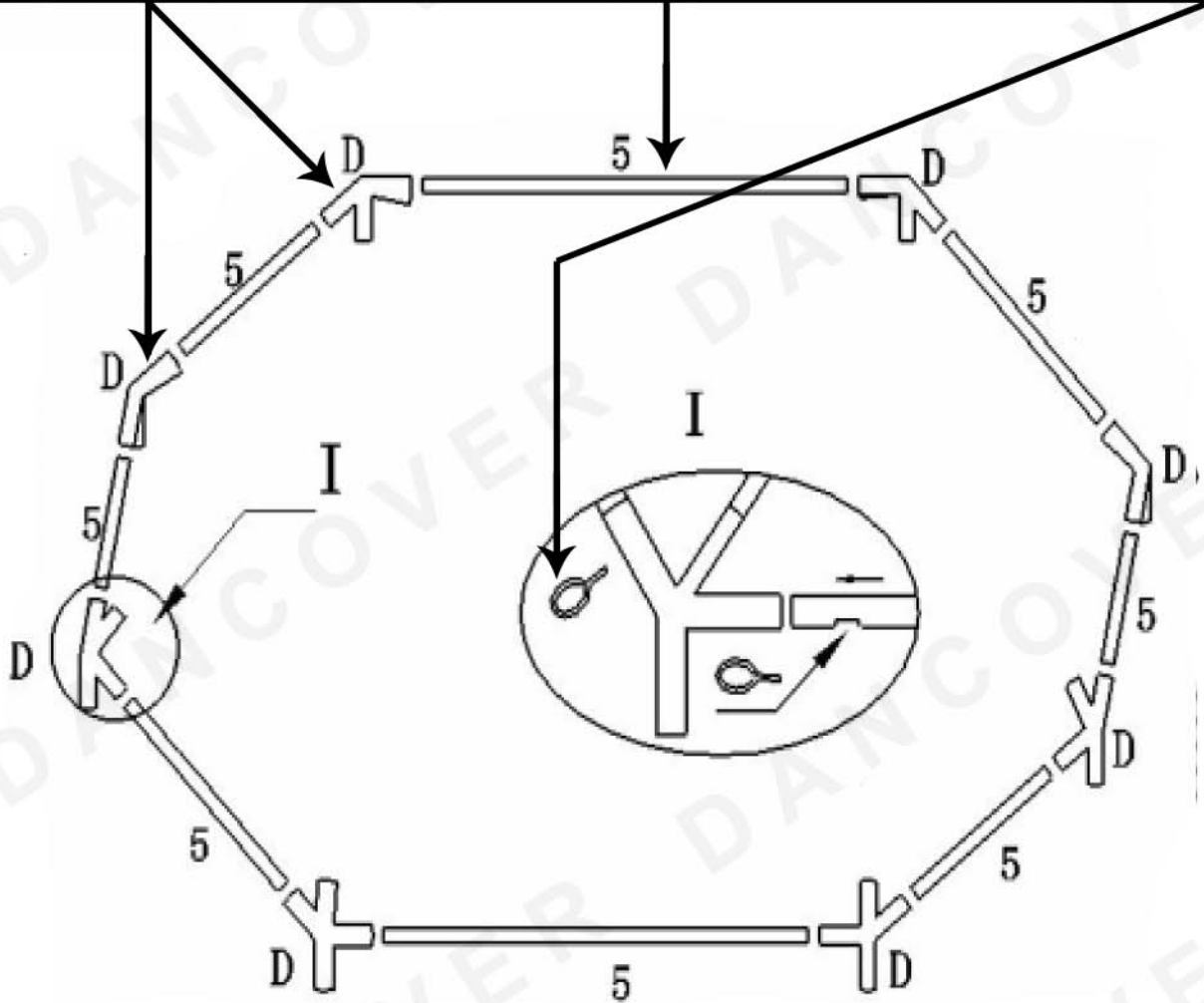
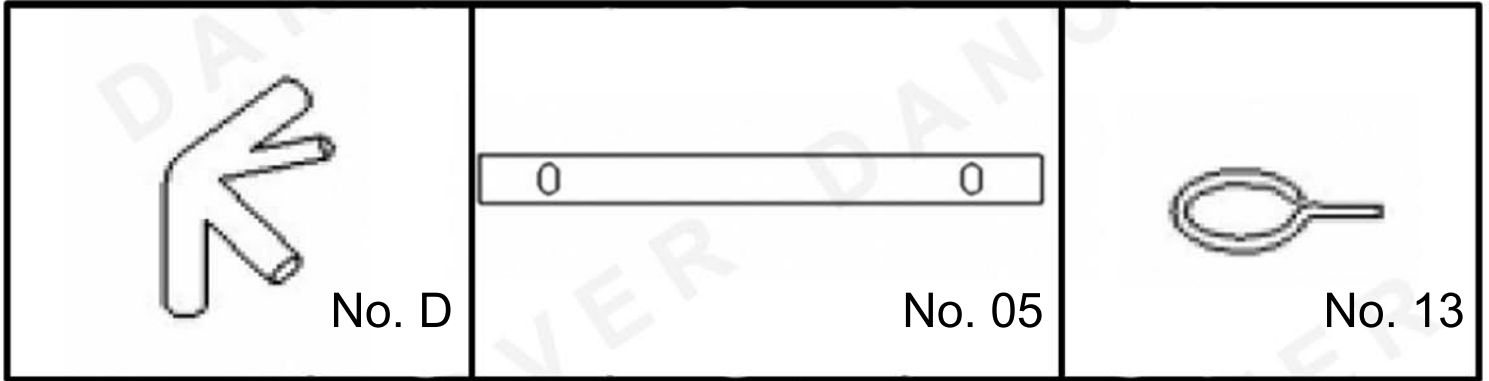
DANCOVER®



Warning!:

1. In some countries approval is needed to set up a tent larger than 75 m².
2. The owner of the tent has the sole responsibility to make sure that these local rules are followed and that the mounting is correct.
3. It is always recommended that you secure your tent properly with storm straps and ground pegs when you put up the structure.
4. In case of extreme weather conditions the tent cover must be removed.
5. This structure is not tested for specific snow and wind loads.
6. Do not use open fire, welding equipment or other ignition sources in the tent.
7. We recommend you to insure the tent, or check if it is covered by home contents insurance, in case of unplanned events, accidents or bad weather.

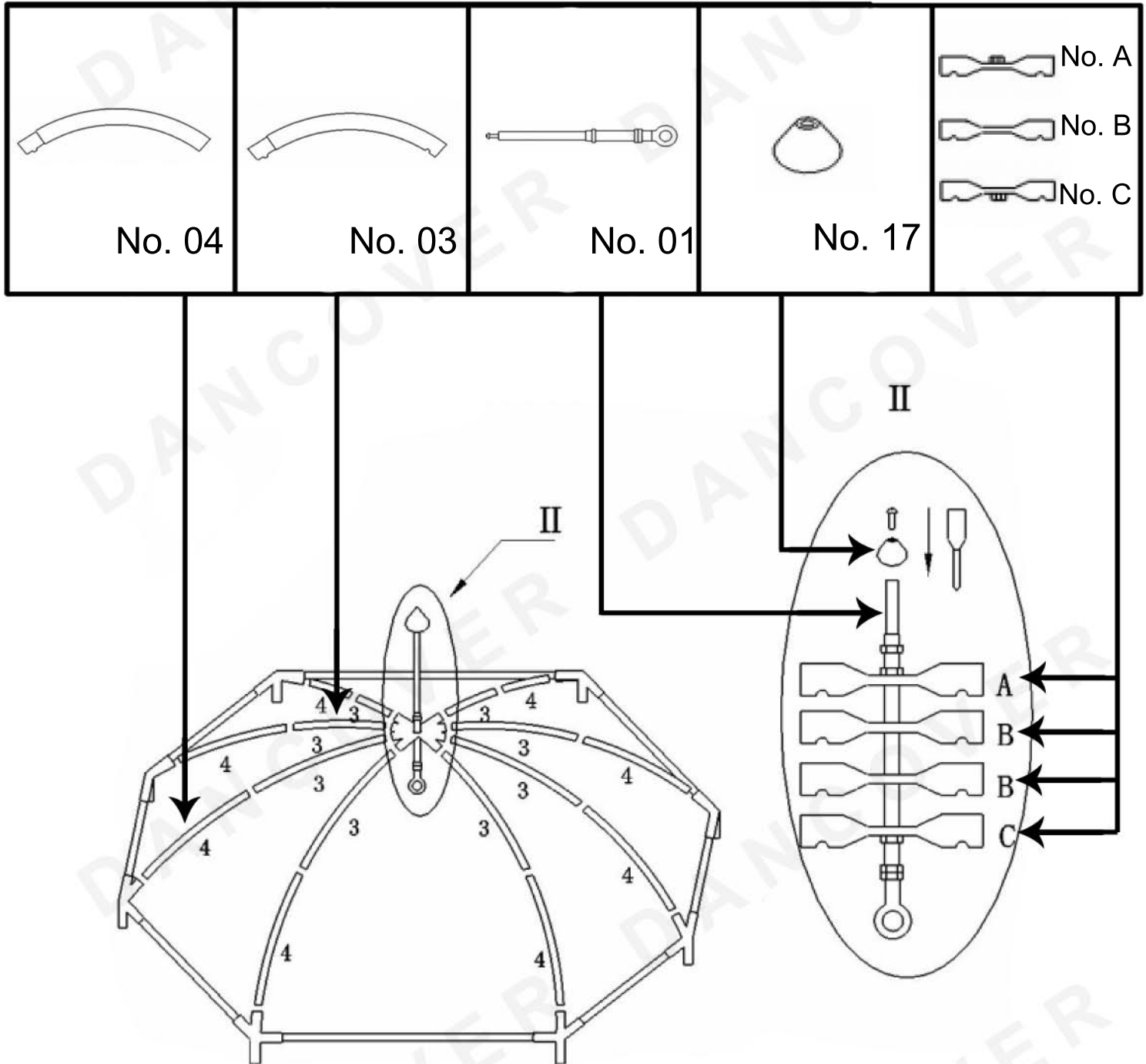
Assembly



Step 1: Lay out and connect the basic shape as shown above.

Step 2: Fasten the connections as shown in I.

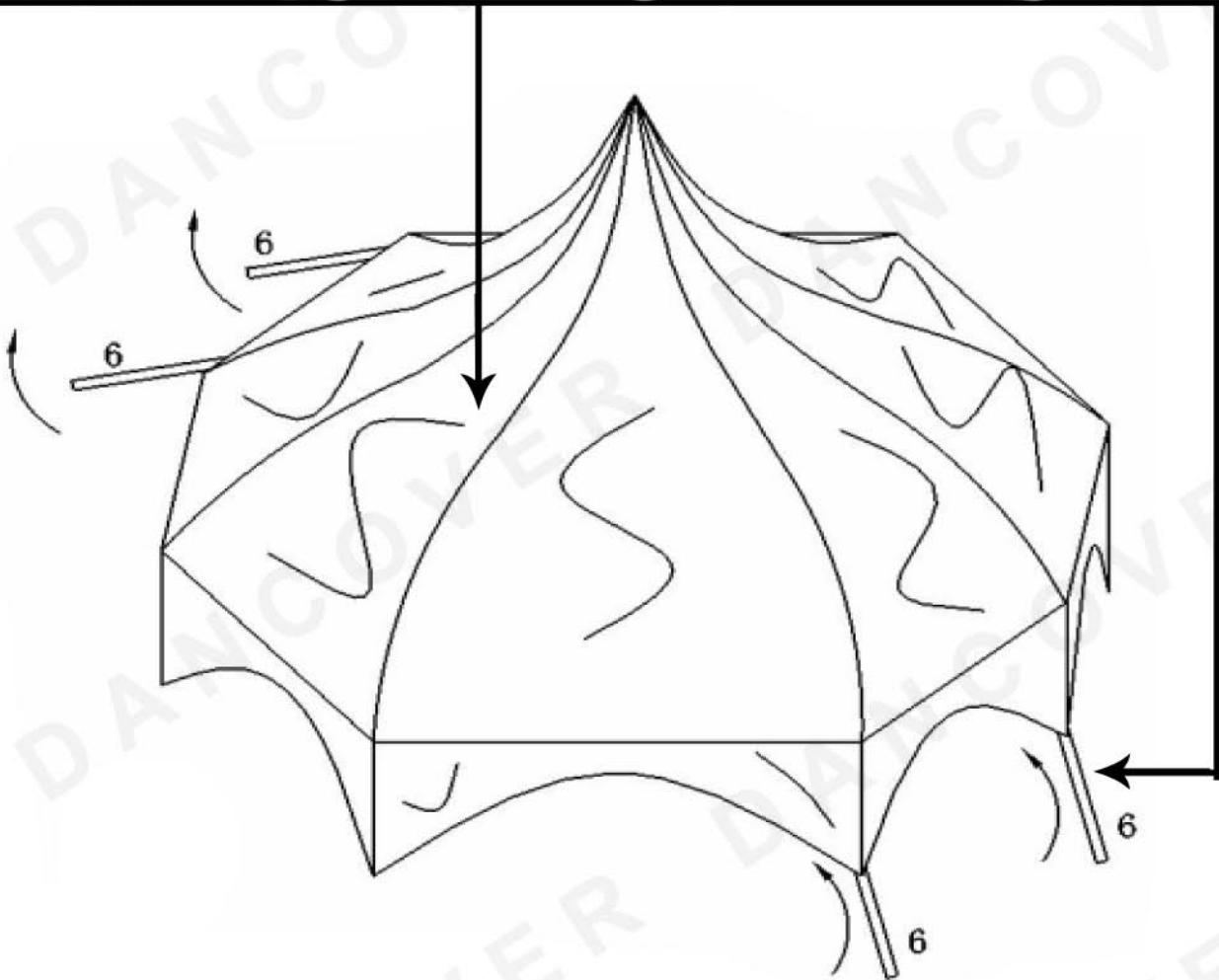
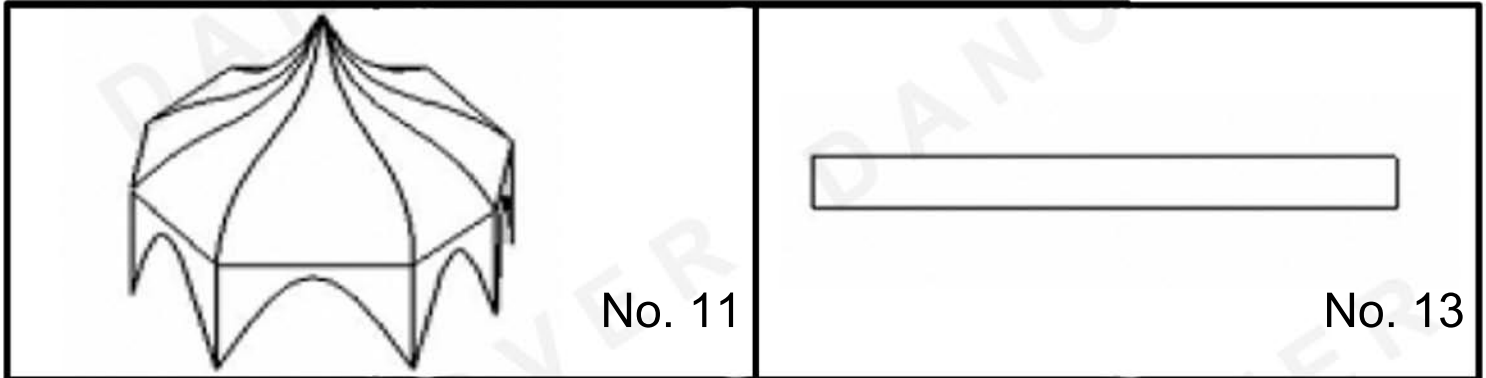
Assembly



Step 3: Build up the roof structure as shown above,

Step 4: Put no. 01 through the collected No. A, B & C and Screw on the top (No. 17) with the screwdriver (No. 07).

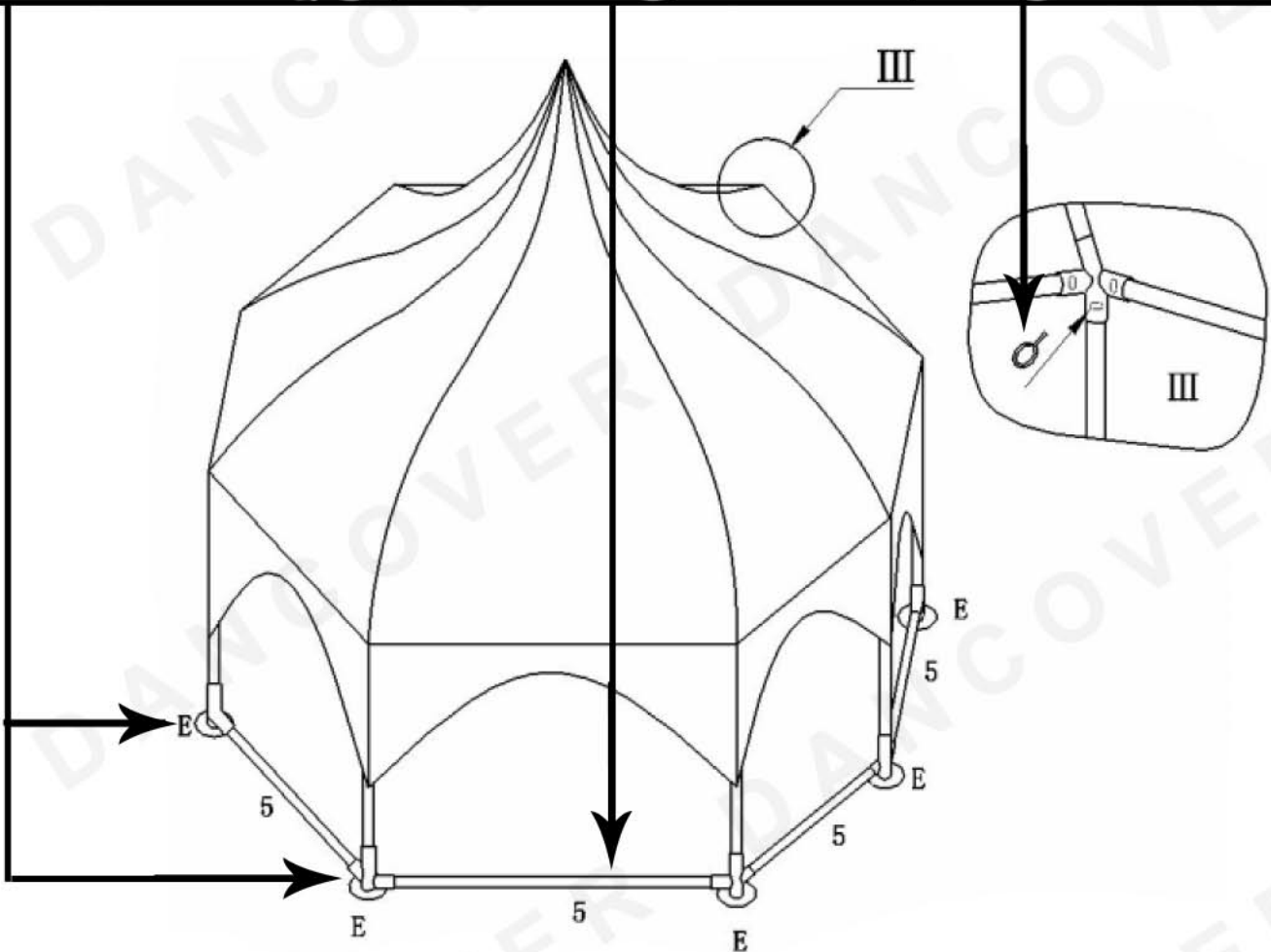
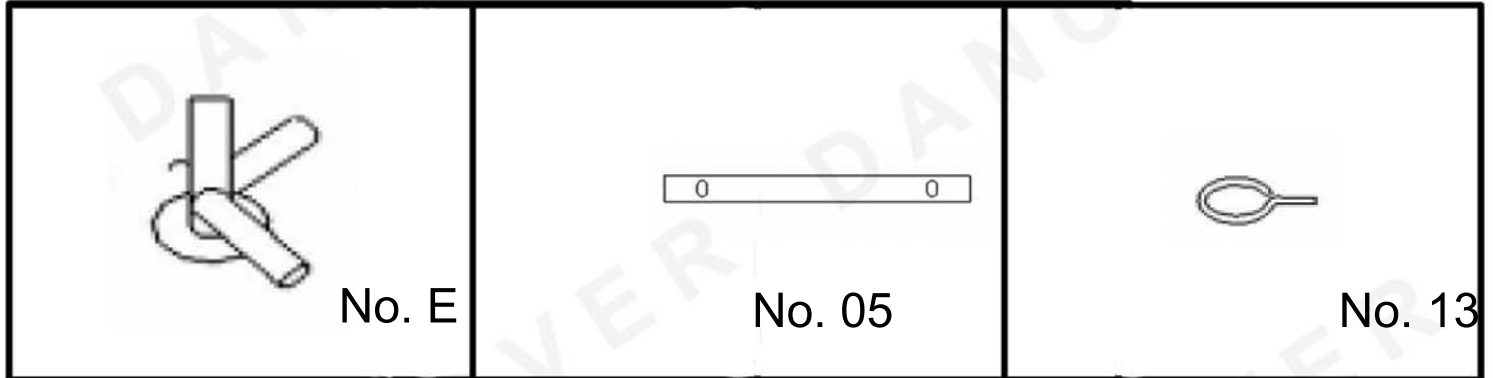
Assembly



Step 5: Put the roofcover on the frame.

Step 6: Raise the structure one side at a time using the legs.

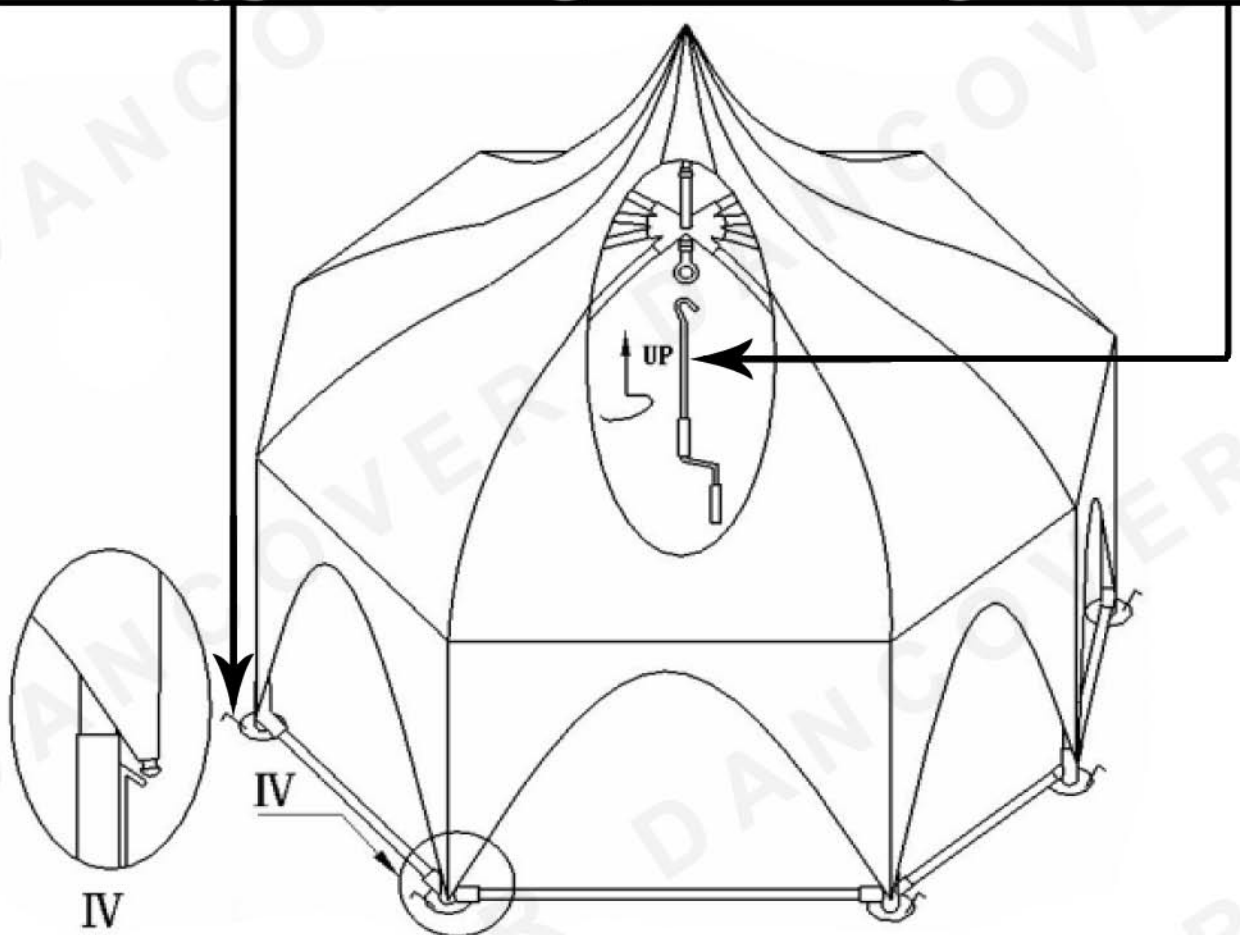
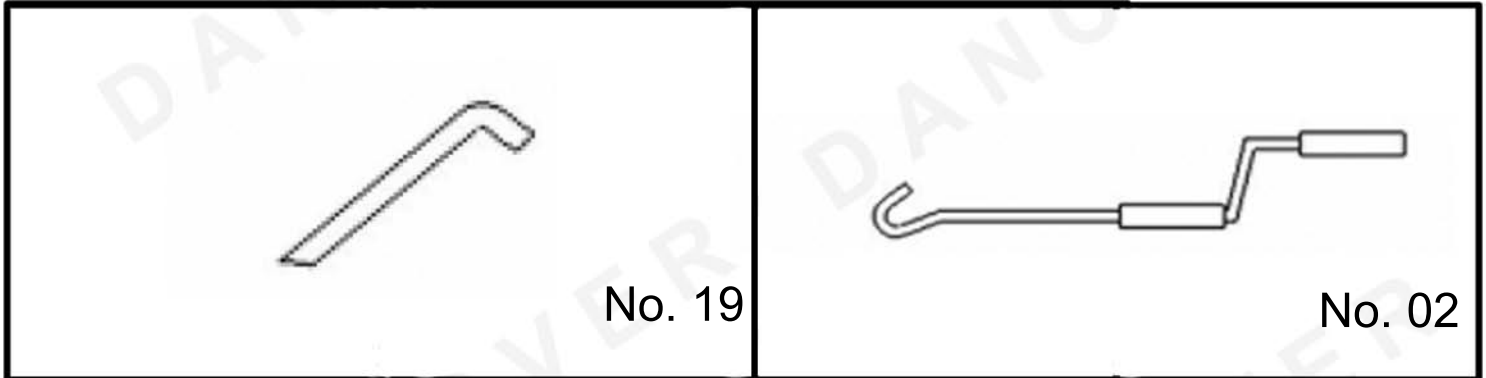
Assembly



Step 7: Secure the legs to the roof structure as shown in III.

Step 8: Place the feet (no. E) on the structure and connect them with the ground bars (No. 05).

Assembly



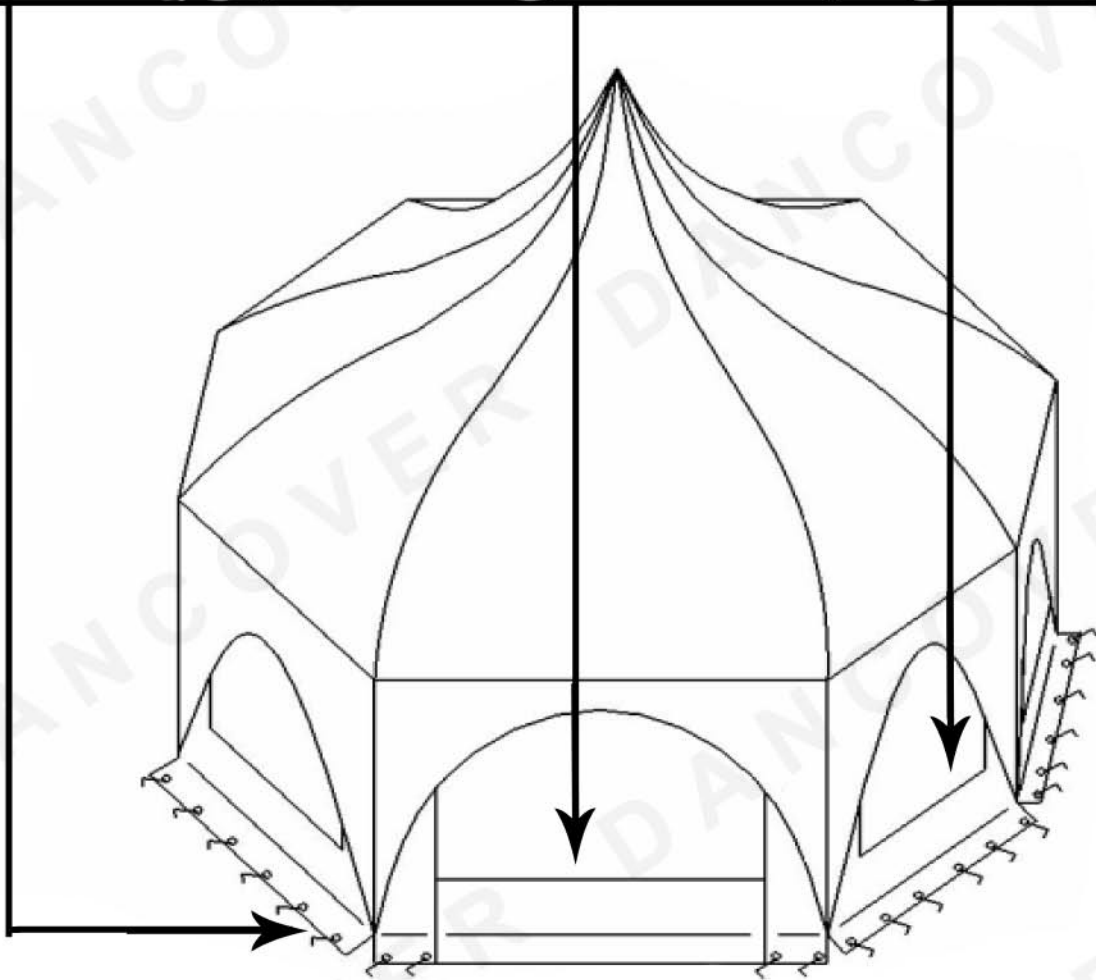
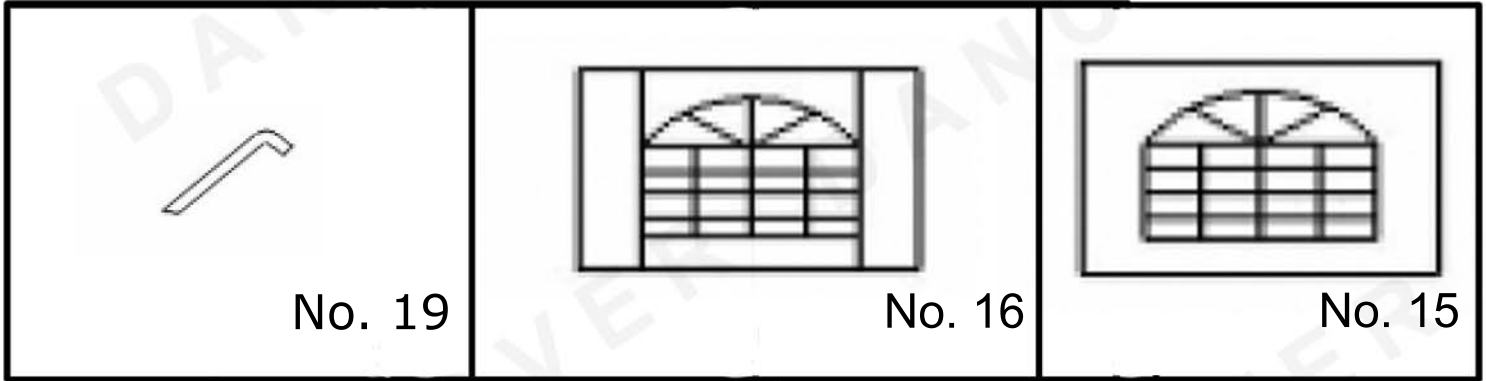
Step 09: Secure the structure to the ground using Stake pegs (No. 19).

Step 10: Pull down the roofcover and Secure it to the split on the feet as shown in IV

Step 11: Tighten the roofcover using the Crank (No. 02) as shown above.

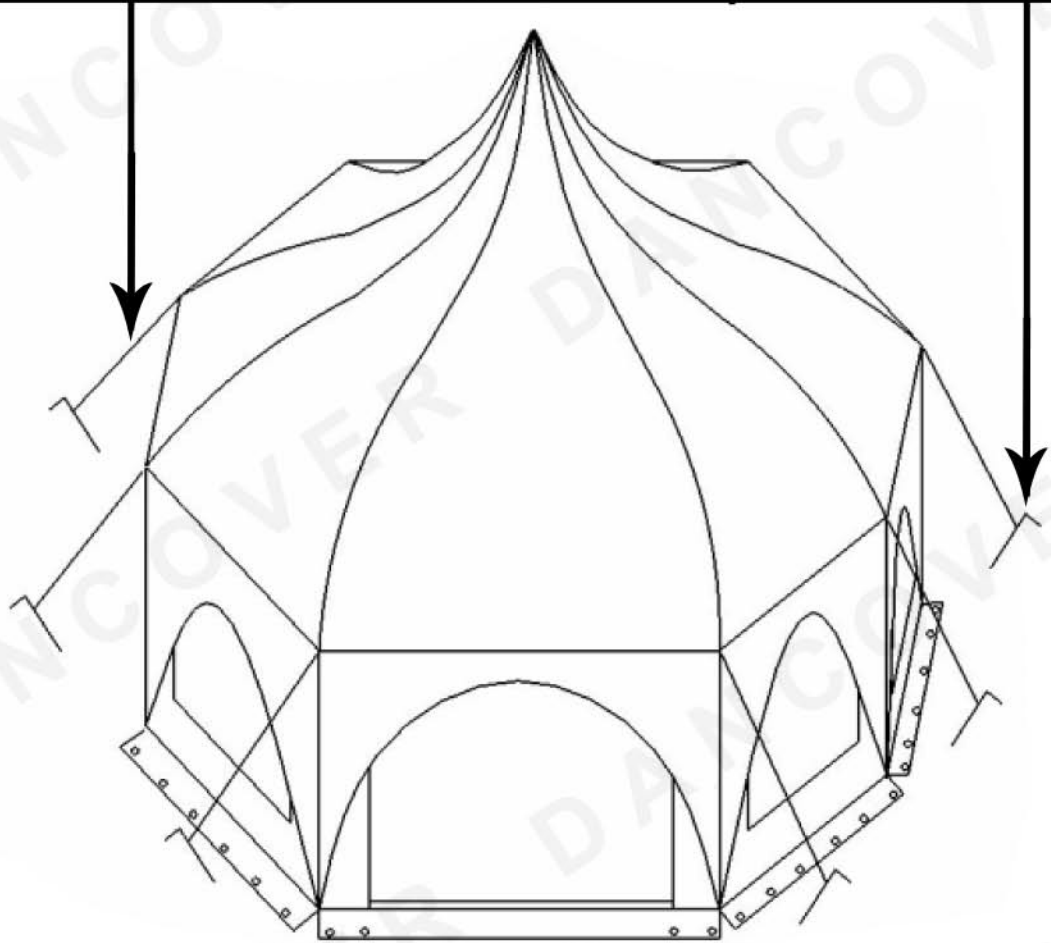
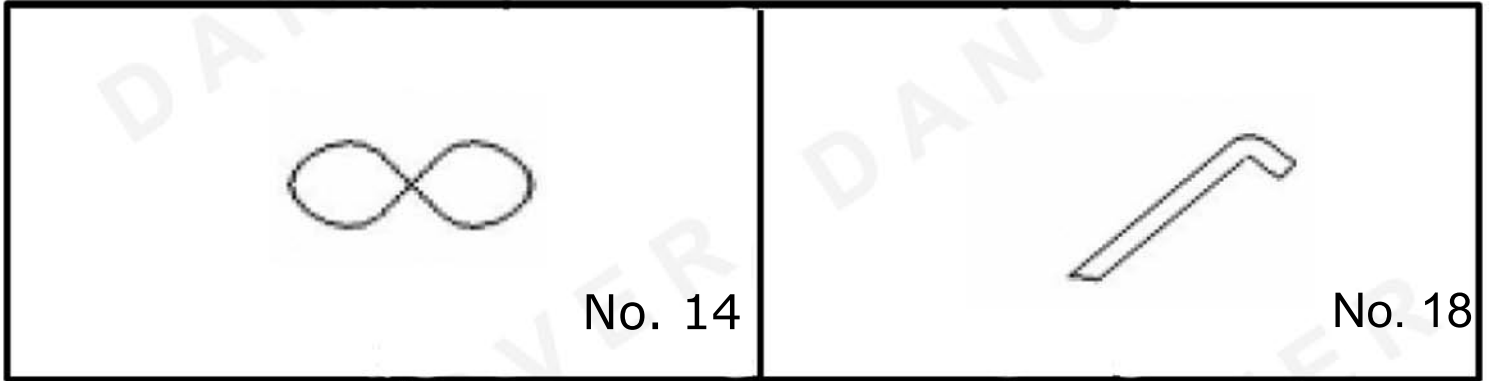
DANCOVER®

Assembly



Step 12: Use the bungeeballs (No. 16) to place the sidewalls (No. 15 & 16) And tie them down using the stake pegs (No. 19).

Assembly



Step 13: Tie the guy lines(No. 14) into the corners of the gazebo and fasten them to the ground using the large stake pegs (No. 18).

DANCOVER®

Contact Information

Head office:

Dancover A/S
Nordre Strandvej 119 G
3150 Hellebæk
Danmark

National Contact:

Denmark:
mail@dancover.dk
70267620

Spain:
Espana@dancover.com
902 906 098

UK:
Mail@dancover.co.uk
020 7221 0220

Italy:
italia@dancover.com
02 303 75317

Germany:
mail@dancover.de
041 0266 7040

Switzerland:
schweitz@dancover.com
0840000125

France:
france@dancover.com
0810 000 219

Austria:
austria@dancover.com
0662 626 935

Sweden:
mail@dancover.se
040 233 262

Norway:
mail@dancover.dk
231 00 690