

# 9,3x5m Party Tent Assembly Guide



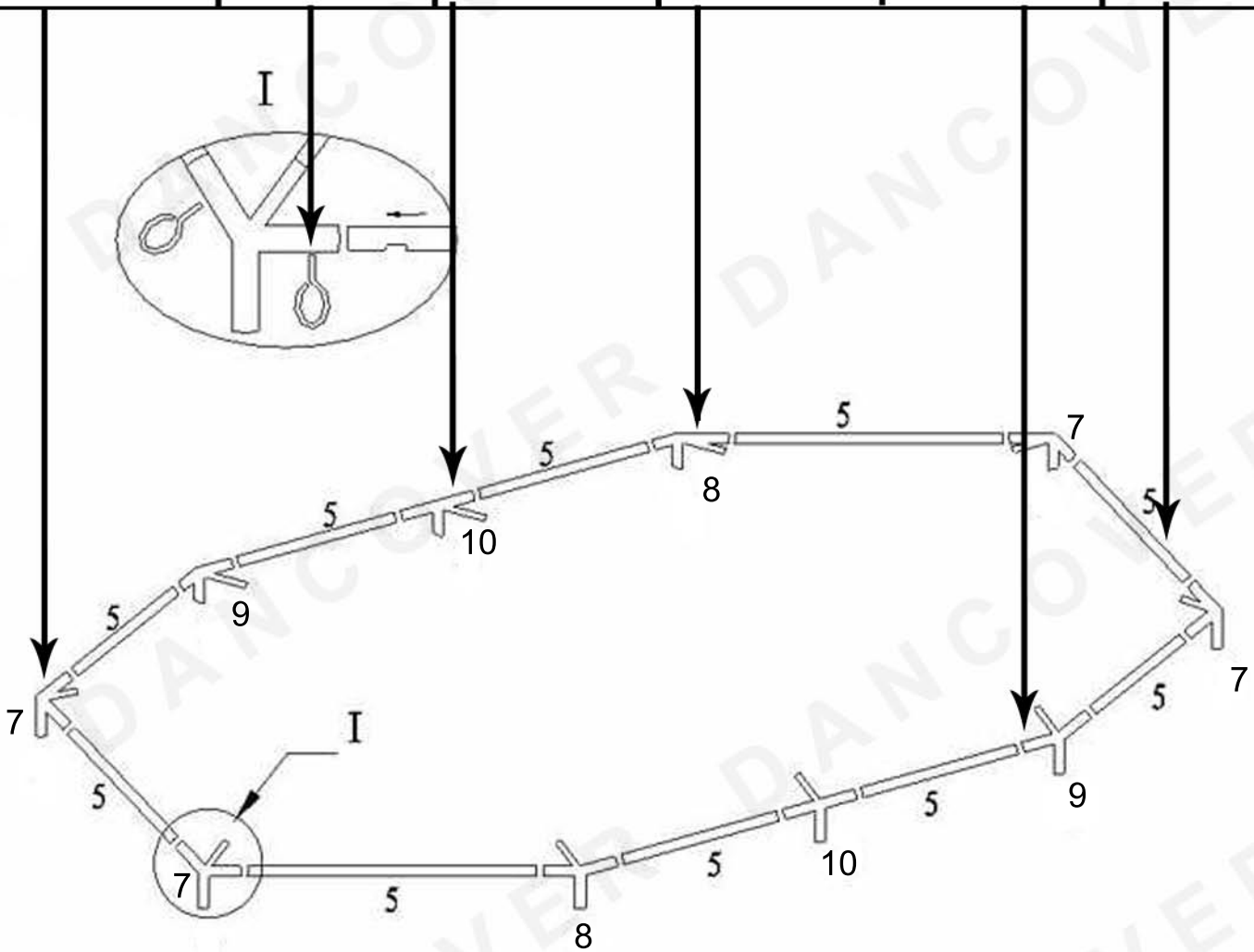
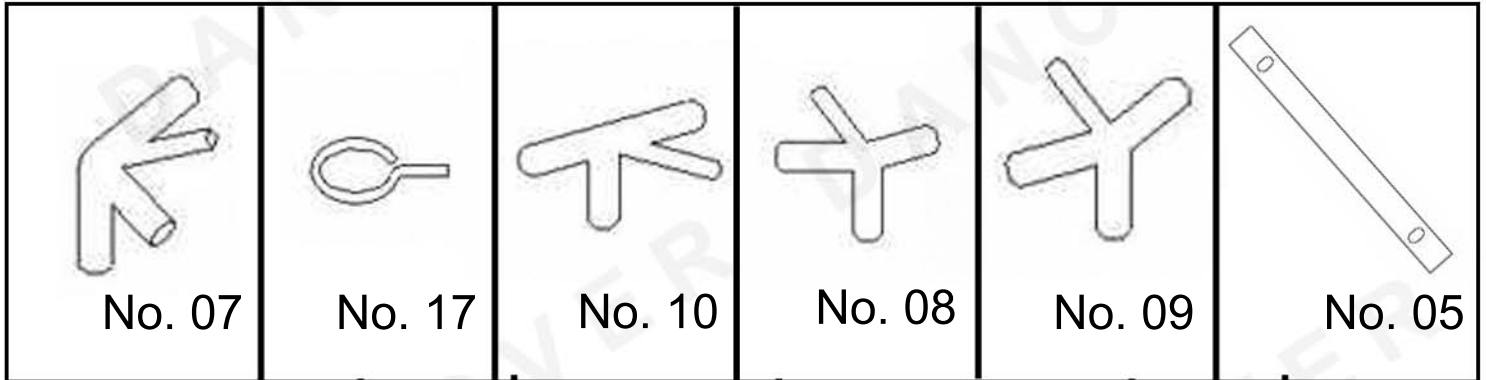
**DANCOVER**®



## Warning!:

1. In some countries approval is needed to set up a tent larger than 75 m<sup>2</sup>.
2. The owner of the tent has the sole responsibility to make sure that these local rules are followed and that the mounting is correct.
3. It is always recommended that you secure your tent properly with storm straps and ground pegs when you put up the structure.
4. In case of extreme weather conditions the tent cover must be removed.
5. This structure is not tested for specific snow and wind loads.
6. Do not use open fire, welding equipment or other ignition sources in the tent.
7. We recommend you to insure the tent, or check if it is covered by home contents insurance, in case of unplanned events, accidents or bad weather.

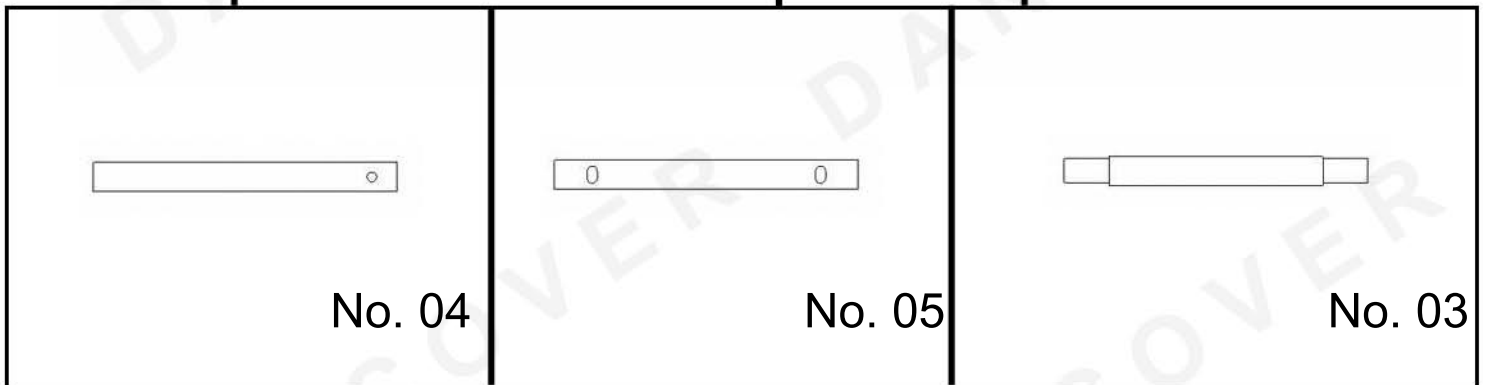
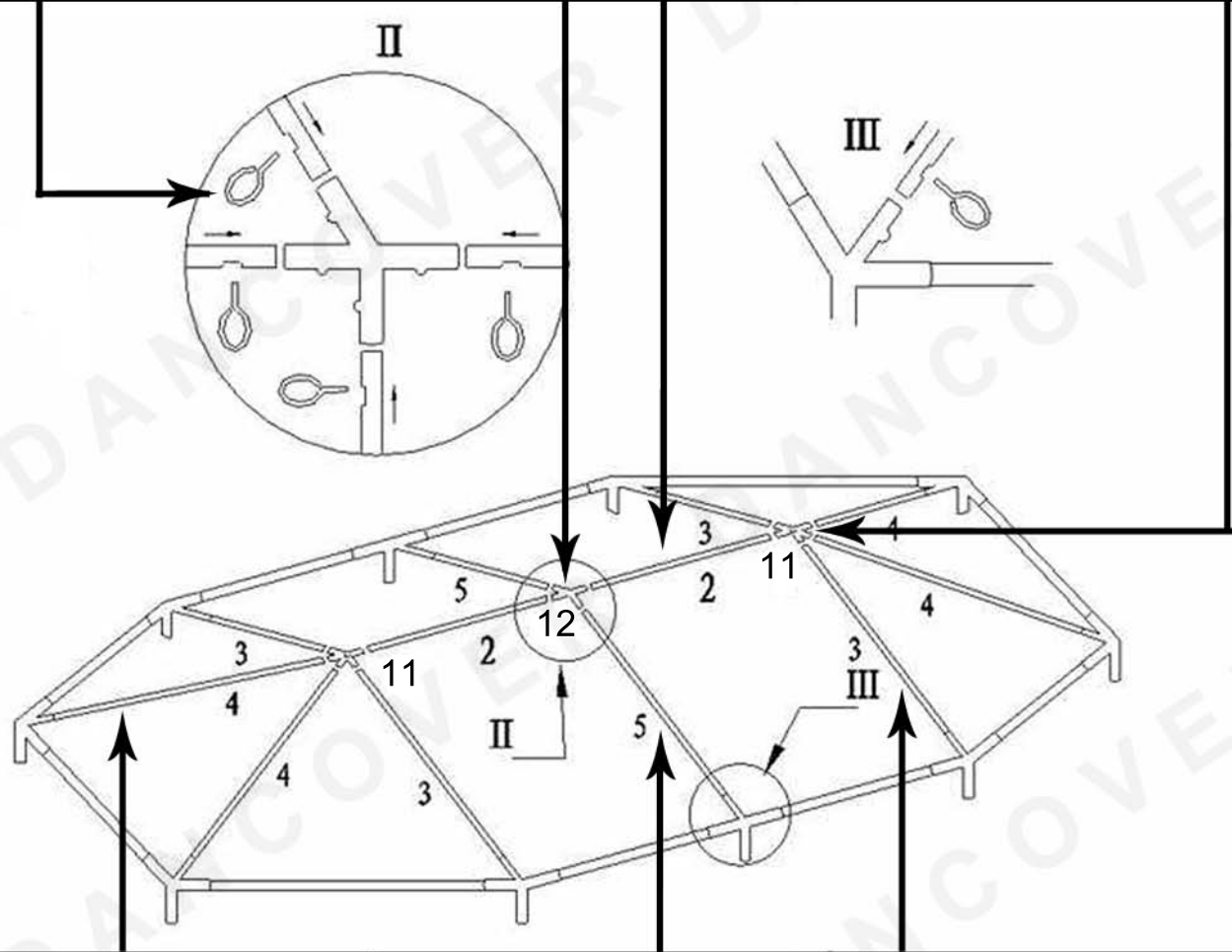
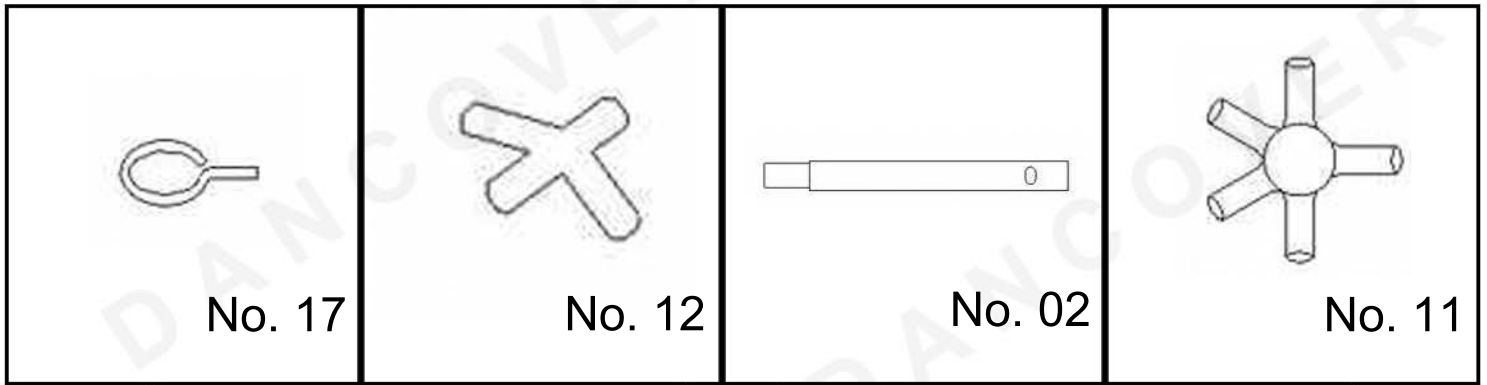
# Assembly



**Step 1:** Lay out the basic shape as shown above.

**Step 2:** Connect the joints and tighten them with screws (No. 17) as shown in I.

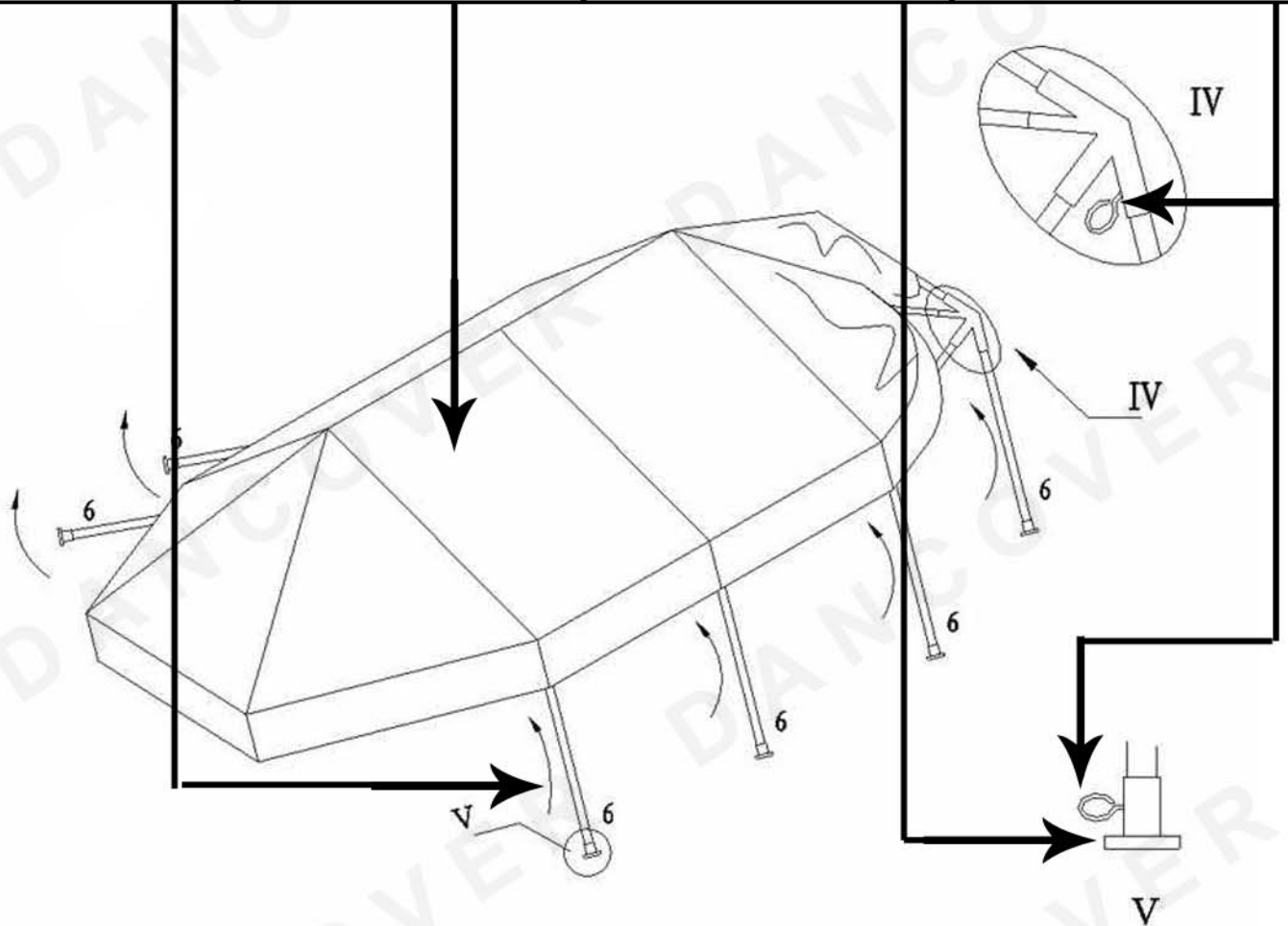
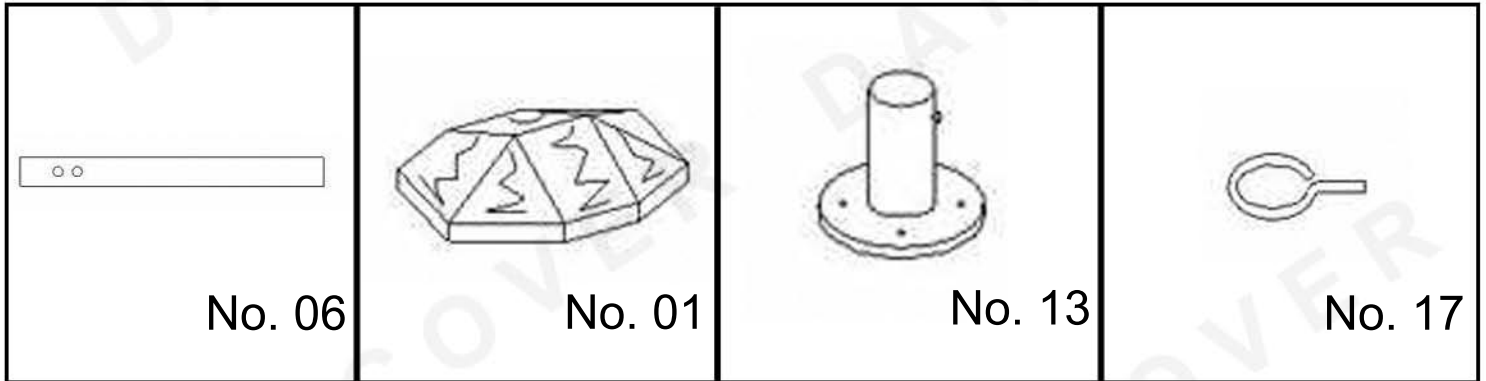
# Assembly



**Step 3:** Build up the roof as shown above.

**Step 4:** Tighten all screws (No. 17).

# Assembly

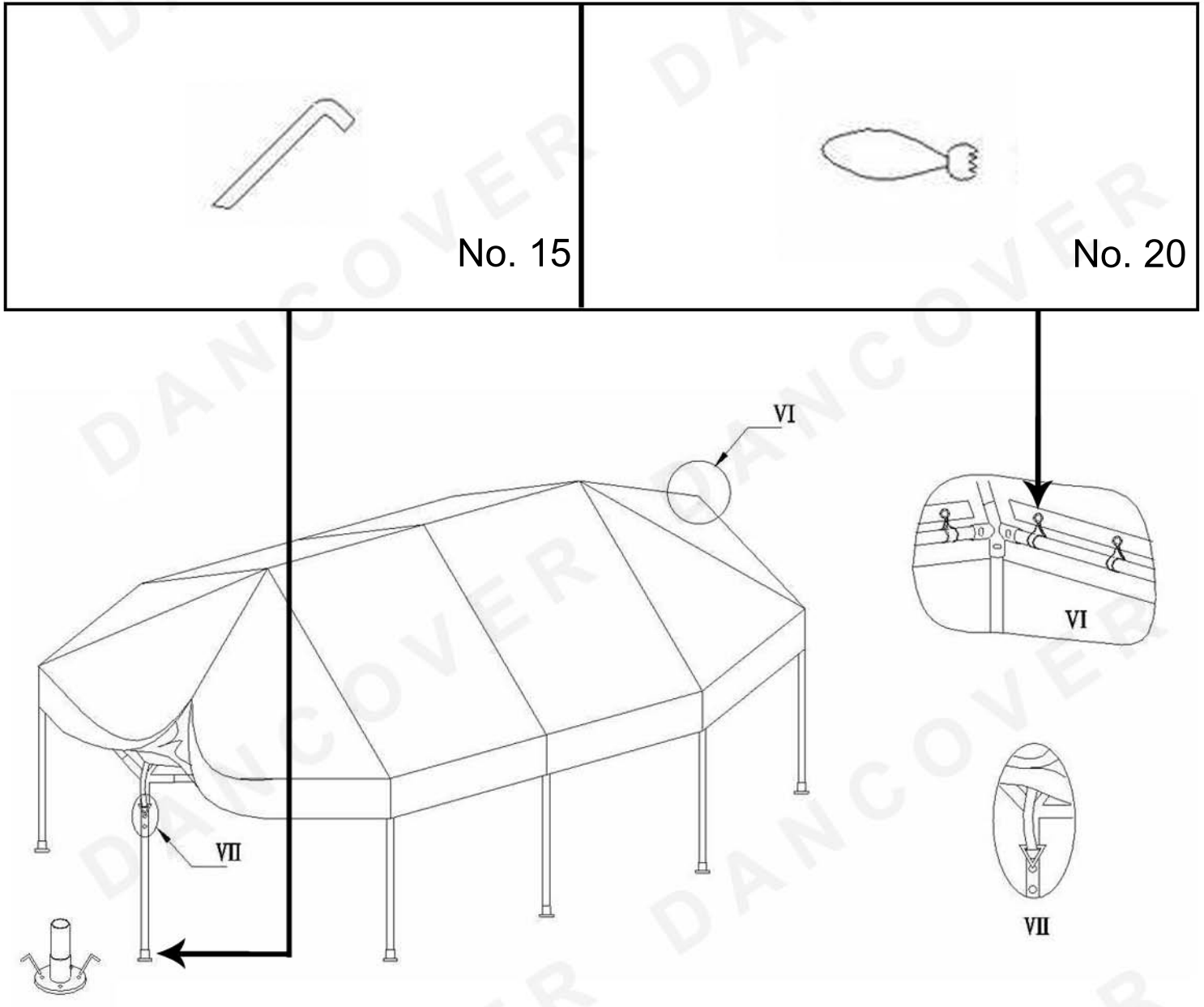


**Step 5:** place the roofcover (No. 01) on the assembled roof structure.

**Step 6:** Assemble the legs as shown in figure V

**Step 7:** Lift the roof one side at a time using the legs.

# Assembly

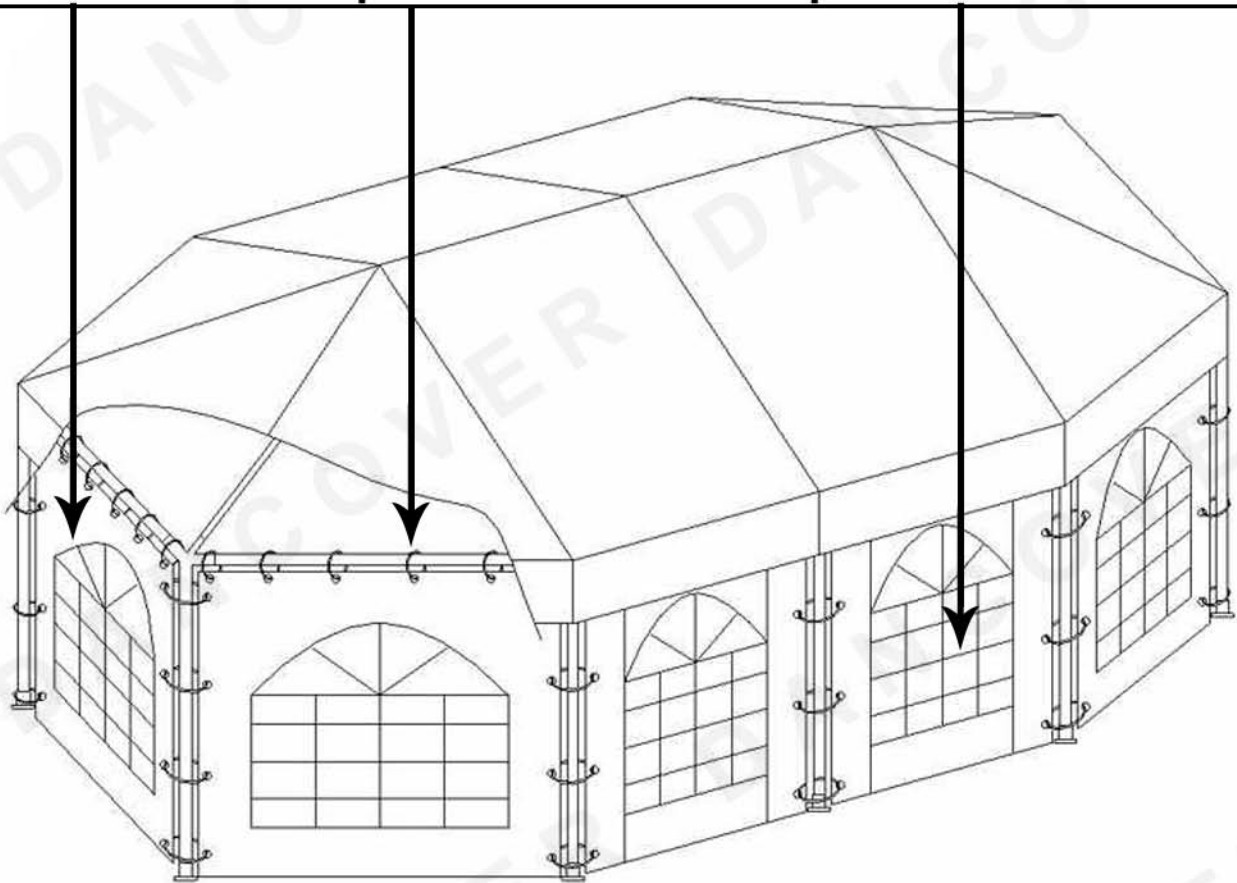
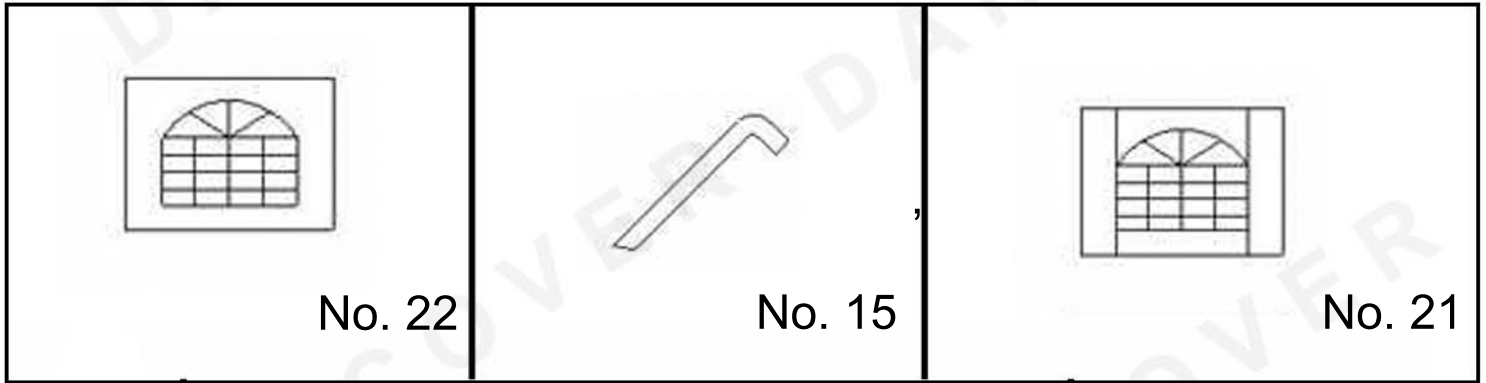


**Step 8:** Secure the structure to the ground using the small stake pegs.

**Step 9:** Fasten the roofcover using bungee-balls as shown in VI.

**Step 10:** Fasten the straps from the roofcover to the legs as shown in VII.

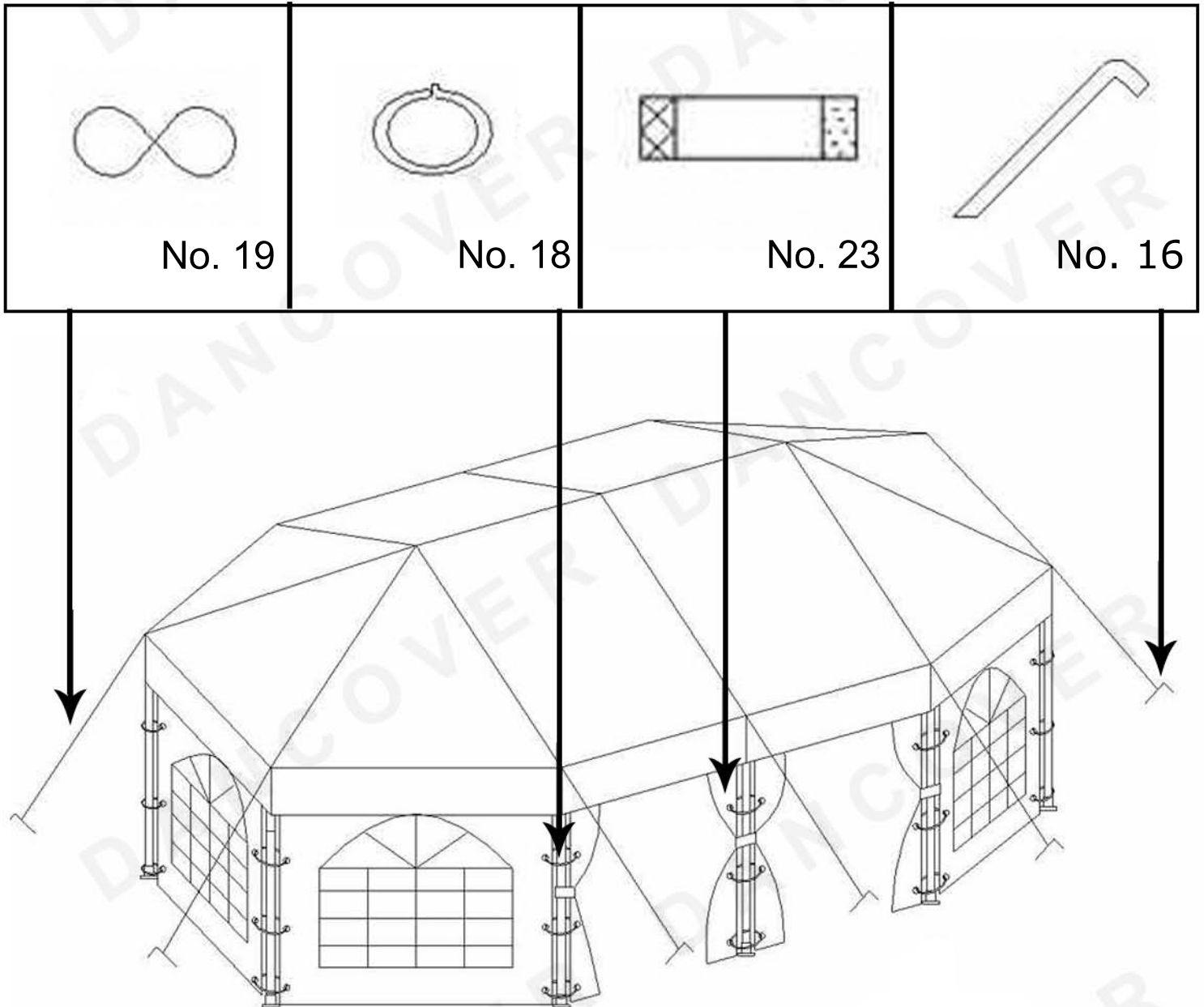
# Assembly



**Step 11:** attach all the sidewalls using the sidewall rings (No. 18) as shown above



# Assembly



**Step 12:** Put the corner draperiens on the tent using the rings

**Step 13:** Secure the tent with guy lines (No. 19) and stake pegs (No. 16) as shown above.

# DANCOVER®

## Contact Information

Head office:

Dancover A/S  
Nordre Strandvej 119 G  
3150 Hellebæk  
Danmark

National Contact:

Denmark:  
mail@dancover.dk  
70267620

Spain:  
Espana@dancover.com  
902 906 098

UK:  
Mail@dancover.co.uk  
020 7221 0220

Italy:  
italia@dancover.com  
02 303 75317

Germany:  
mail@dancover.de  
041 0266 7040

Switzerland:  
schweitz@dancover.com  
0840000125

France:  
france@dancover.com  
0810 000 219

Austria:  
austria@dancover.com  
0662 626 935

Sweden:  
mail@dancover.se  
040 233 262

Norway:  
norge@dancover.dk  
231 00 690