

DANCOVER[®]



Manual for
Pagoda Tent Elegance
4x4m

DANCOVER[®]



Safety Advice

Attention

In some countries approval is needed to set up a marquee/tent larger than 75 m². It is your responsibility to comply with local rules and regulations and to ensure that the marquee/tent is assembled correctly.

In case of bad weather conditions, it is your responsibility to ensure the marquee/tent is safely secured and that the marquee/tent does not cause damage to others.

Do not use open fire, welding equipment or other sources which can ignite, inside or close to the tent.

The marquee/tent must be safely secured. We recommend you secure your marquee/tent with straps and pegs as soon as it is assembled.

Make sure to check if the marquee/tent is covered by your home contents insurance.

Marquees/tents must be evacuated under extreme weather conditions.

In the event of snow always remove snow from the roof of the marquee/tent regularly to prevent snow from building on the roof as heavy snow can cause the marquee/tent to collapse.

In the event of rain there is a risk of rain puddles building up on top of the roof of the marquee/tent. Heavy rain puddles can cause the roof to collapse. It is your responsibility to ensure rain puddles do not build up. As a precaution, make sure the roof of the marquee/tent is stretched out properly and adequately over the side frames of the marquee/tent and remove rain water regularly.

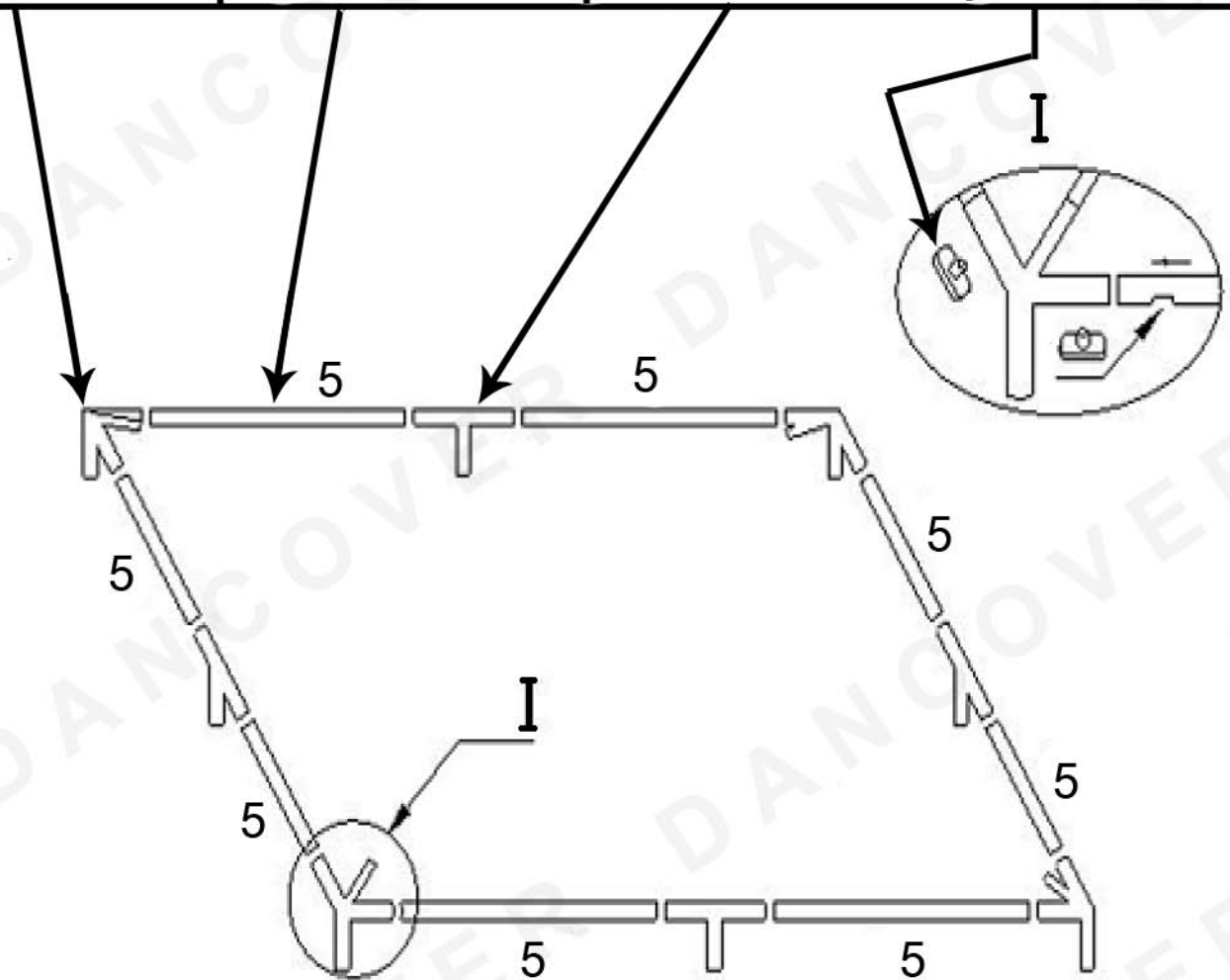
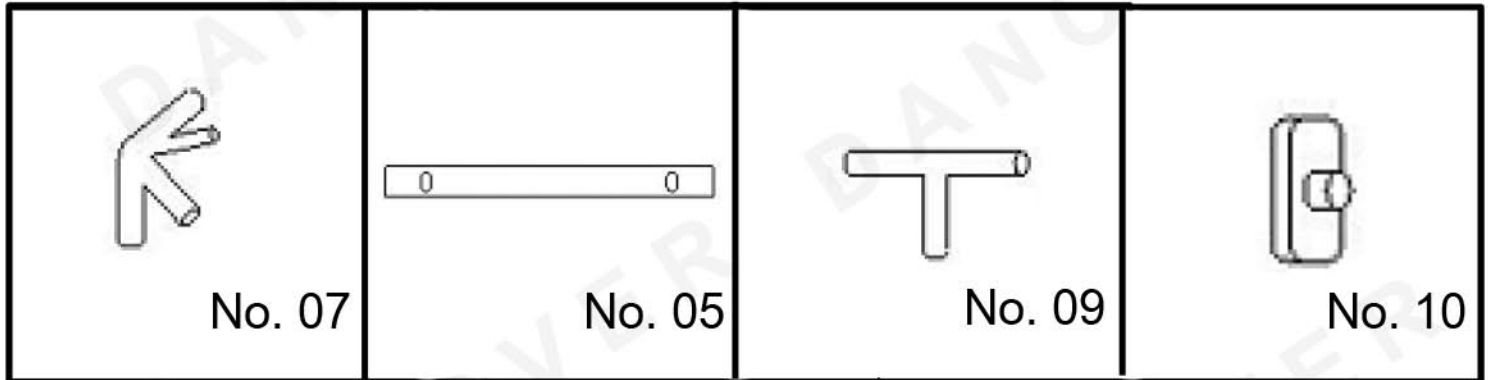
Note: Marquees are intended for events and other arrangements and are as such only meant for short term temporary assembly and the following disassembly. Dancover warranty applies only to the normal use of the Product, normal wear and tear excepted, in accordance with written use instructions or manual. The warranty does not apply to damage caused by accident, abuse, misuse, or modification of the Product.

Please always check our website for the latest safety advice and manual.

Warning!:

1. In some countries approval is needed to set up a tent larger than 75 m².
2. The owner of the tent has the sole responsibility to make sure that these local rules are followed and that the mounting is correct.
3. It is always recommended that you secure your tent properly with storm straps and ground pegs when you put up the structure.
4. In case of extreme weather conditions the tent cover must be removed.
5. This structure is not tested for specific snow and wind loads.
6. Do not use open fire, welding equipment or other ignition sources in the tent.
7. We recommend you to insure the tent, or check if it is covered by home contents insurance, in case of unplanned events, accidents or bad weather.

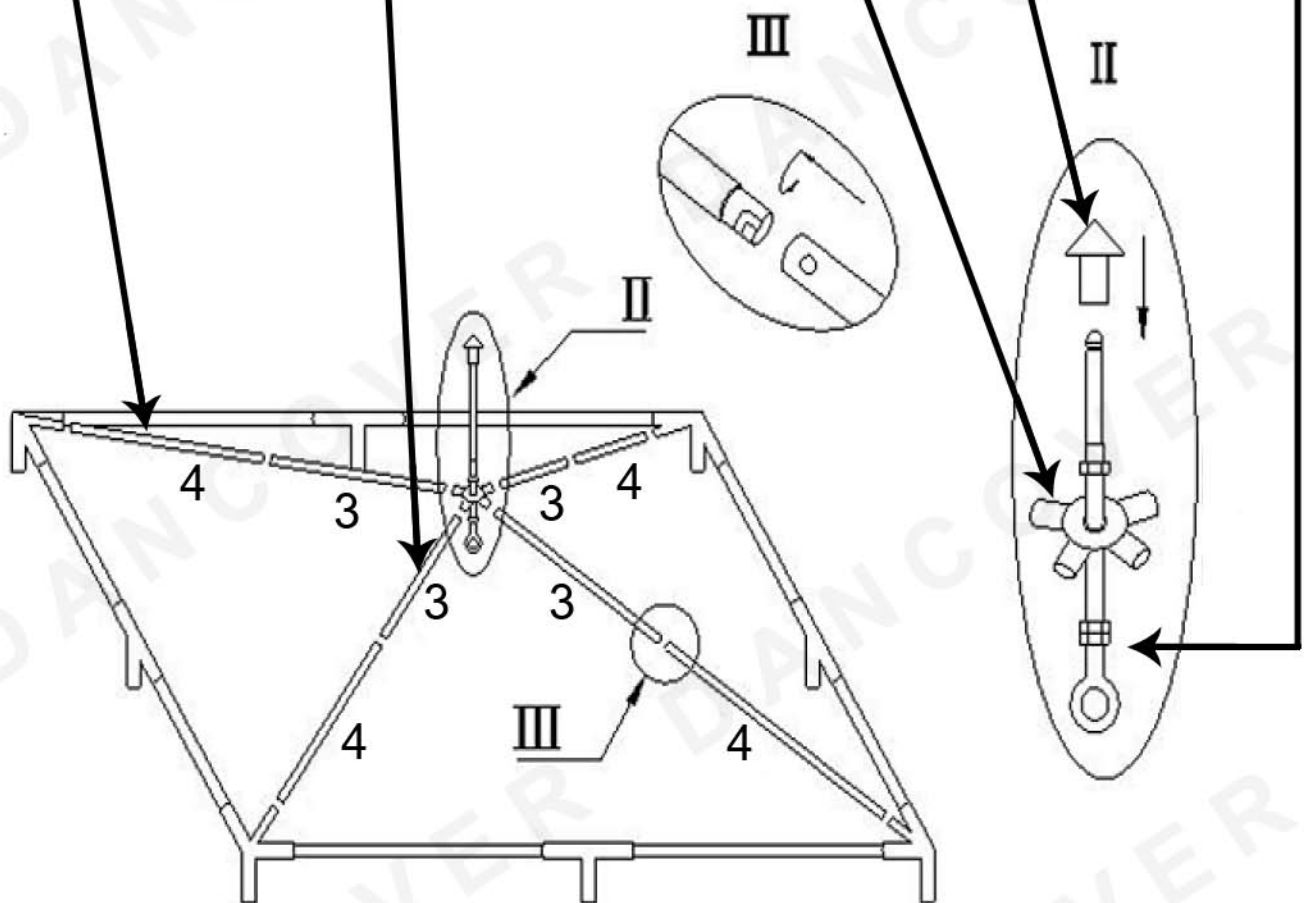
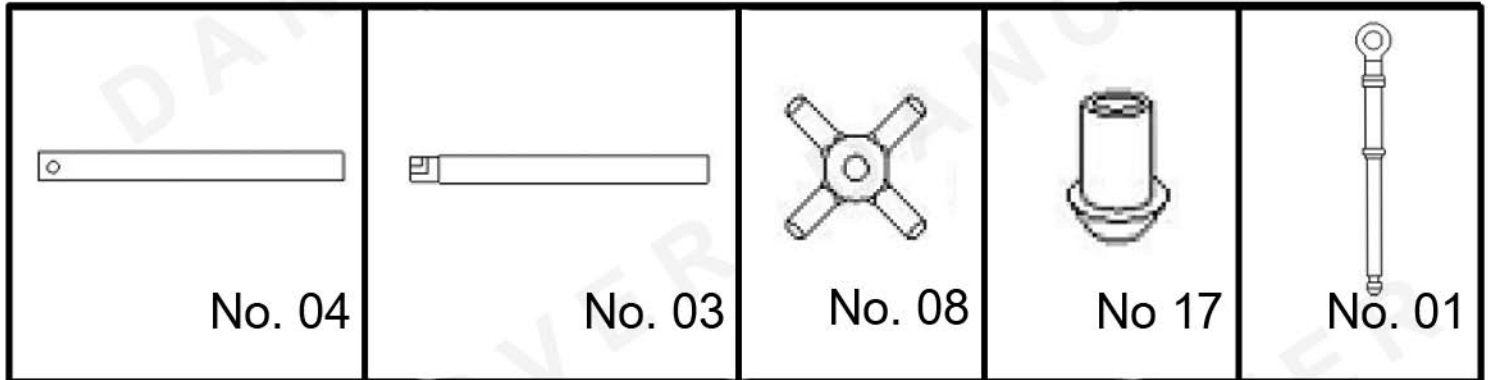
Assembly



Step 1: Lay out and connect the square as shown above.

Step 2: Fasten the connections as shown in I.

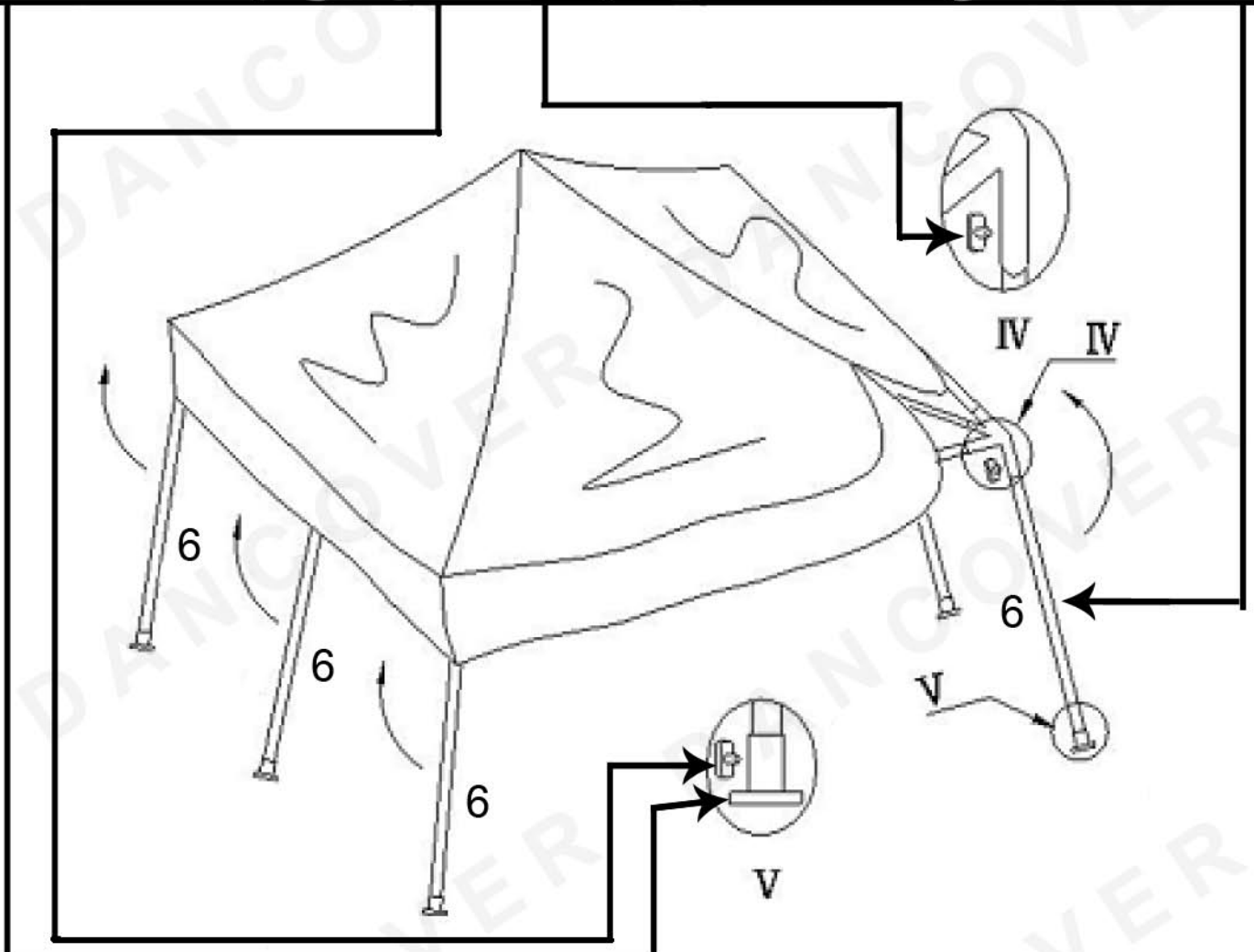
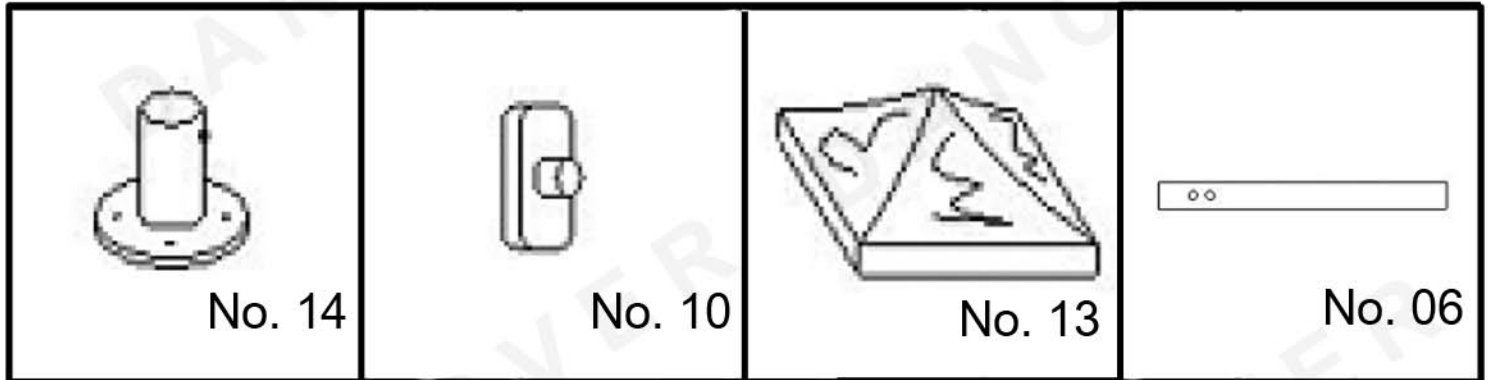
Assembly



Step 3: Set up the top as shown above. No. 03 and 04 assembled by connecting and turning to fasten.

Step 4: Put the No. 01 through the center ring and fasten with No.10

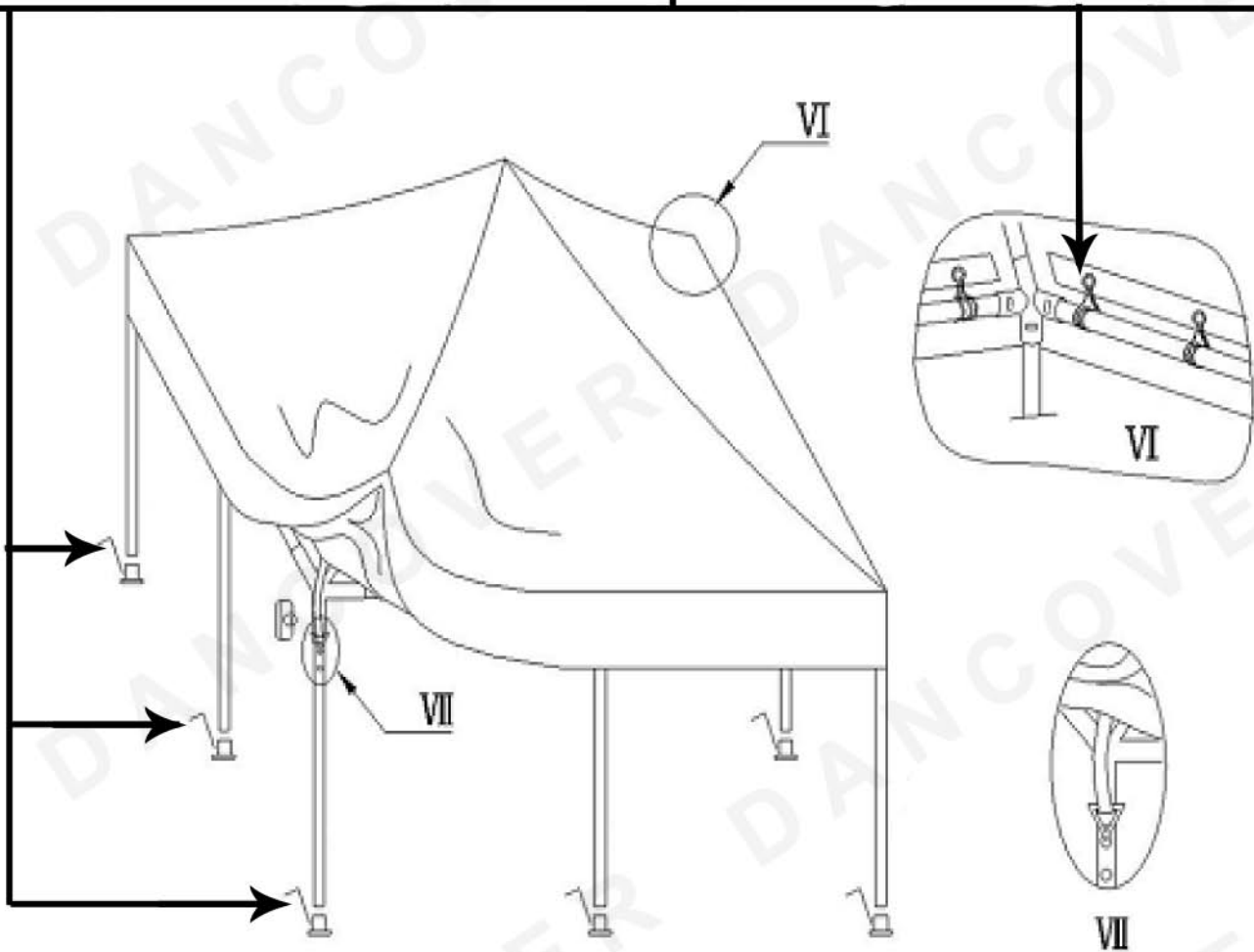
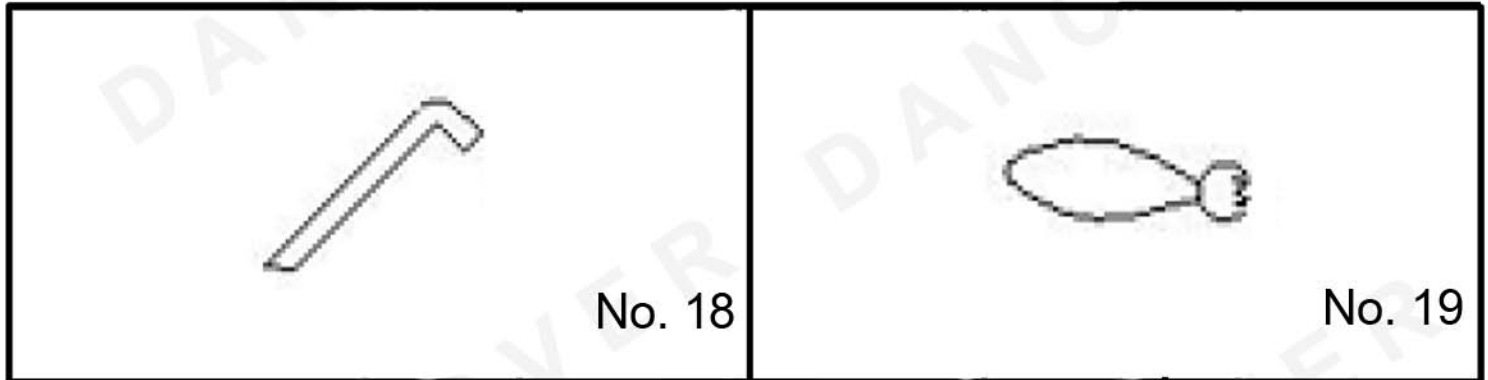
Assembly



Step 5: Put the Feet (No. 14) on the legs(No. 06) and fasten them with No. 10 as shown in V. Put the roofcover (No. 13) on the structure

Step 6: Use the legs to raise the top of the ground one side at a time and fasten them with No. 10 as shown in IV.

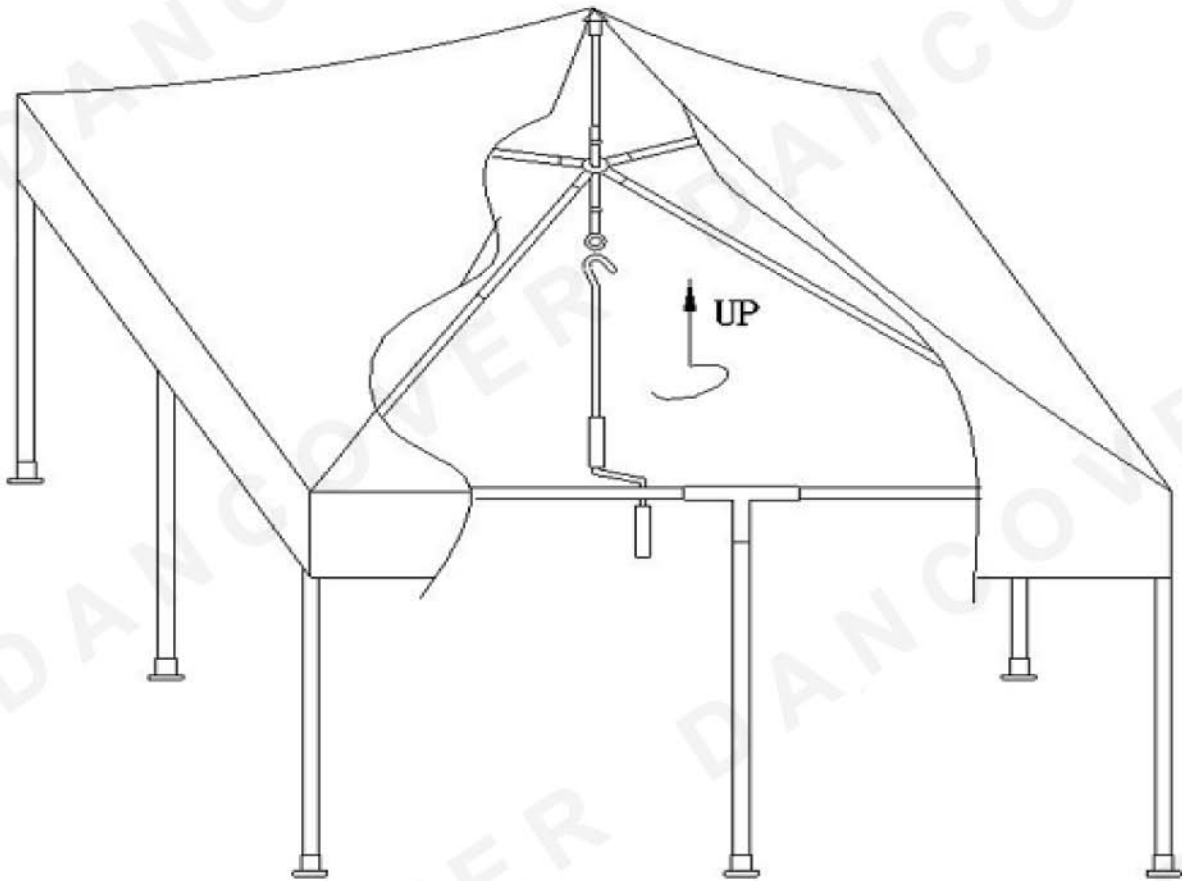
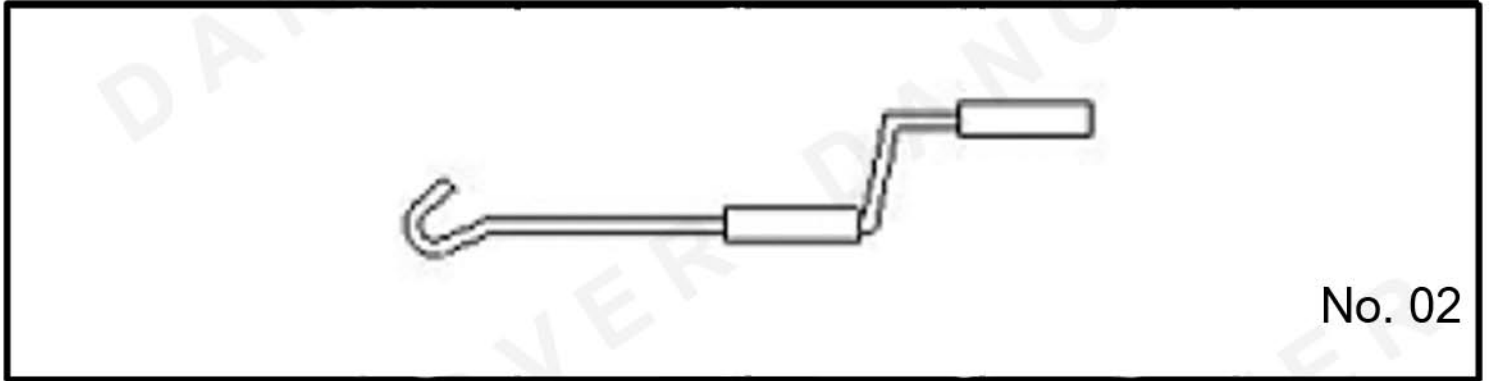
Assembly



Step 7: Raise all remaining legs and ground them with the stake pegs(No. 18)

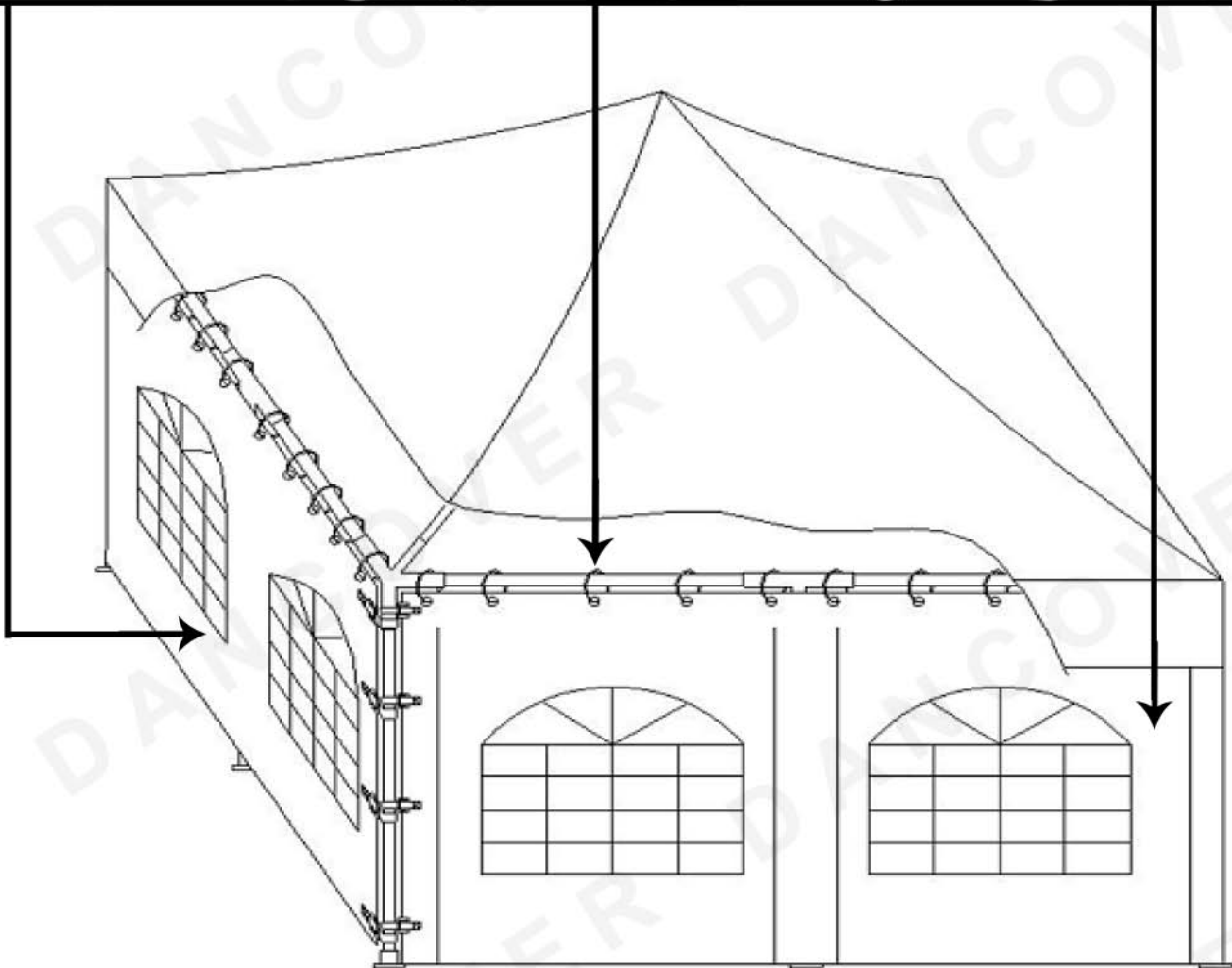
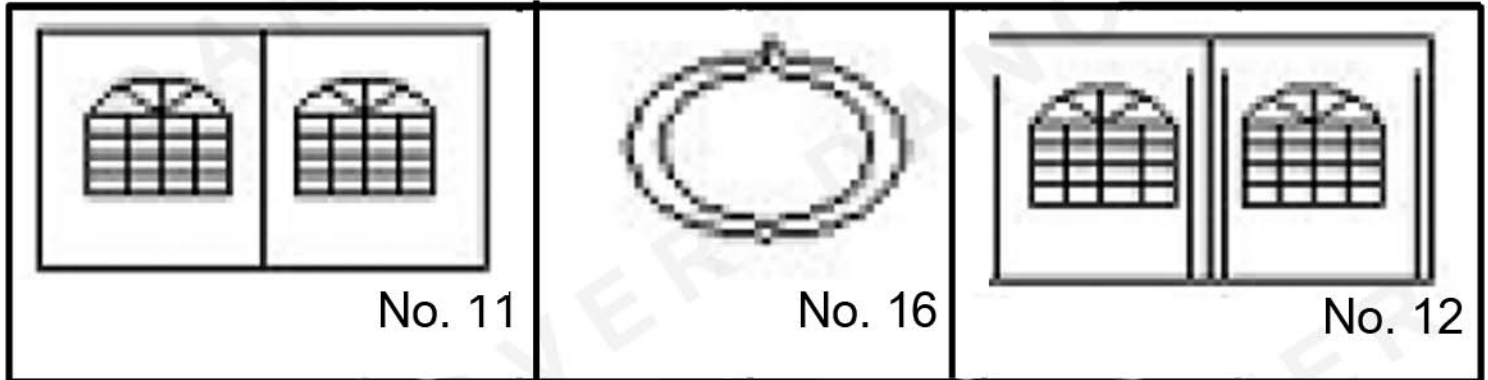
Step 8: Fasten Roofcover with corner straps (VI) and bungee balls (VII)

Assembly



Step 7: Use No. 02 to tighten the roofcover as shown above.

Assembly



Step 7: Put up the sidewalls the way you want them using the plastic rings (No. 16) and bungeeballs (no. 19) as shown above (No. 12 is the entrance)

Contact information

Head office:

Dancover A/S
Nordre Strandvej 119 G
3150 Hellebæk
Denmark

For more information
please visit:
www.dancovershop.com

National contact

Denmark:
denmark@dancover.com

UK:
uk@dancover.com

Germany:
germany@dancover.com

France:
france@dancover.com

Sweden:
sverige@dancover.com

Finland:
suomi@dancover.com

Poland:
polska@dancover.com

Luxembourg:
luxembourg@dancover.com

Spain:
espana@dancover.com

Italy:
italia@dancover.com

Switzerland:
schweiz@dancover.com

Austria:
austria@dancover.com

Norway:
norge@dancover.com

Nederland:
nederland@dancover.com

Ireland:
ireland@dancover.com

Belgium:
belgique@dancover.com