

**DANCOVER<sup>®</sup>**

**.com**

**Elegance Party tent**  
**6,8x5m**

# DANCOVER<sup>®</sup>



.com

## Safety Advice

### Attention

In some countries approval is needed to set up a tent larger than 75 m<sup>2</sup>.

The owner of the tent has the sole responsibility to make sure that these local rules are followed and that the mounting is correct.

In case of bad weather conditions, it is your responsibility to ensure that people inside are safe and that the tent does not cause damage to others.

Do not use open fire, welding equipment or other ignition sources in the tent.

It is always recommended that you secure your tent properly with safety straps and augers when you put up the structure.

We recommend you to insure the tent, or check if it is covered by home contents insurance, in case of unplanned events, accidents or bad weather.

Tents are meant as temporary shelter and must be evacuated under extreme weather conditions.

This structure is not tested for specific snow and wind loads. That's why we always recommend to remove snow from the top.

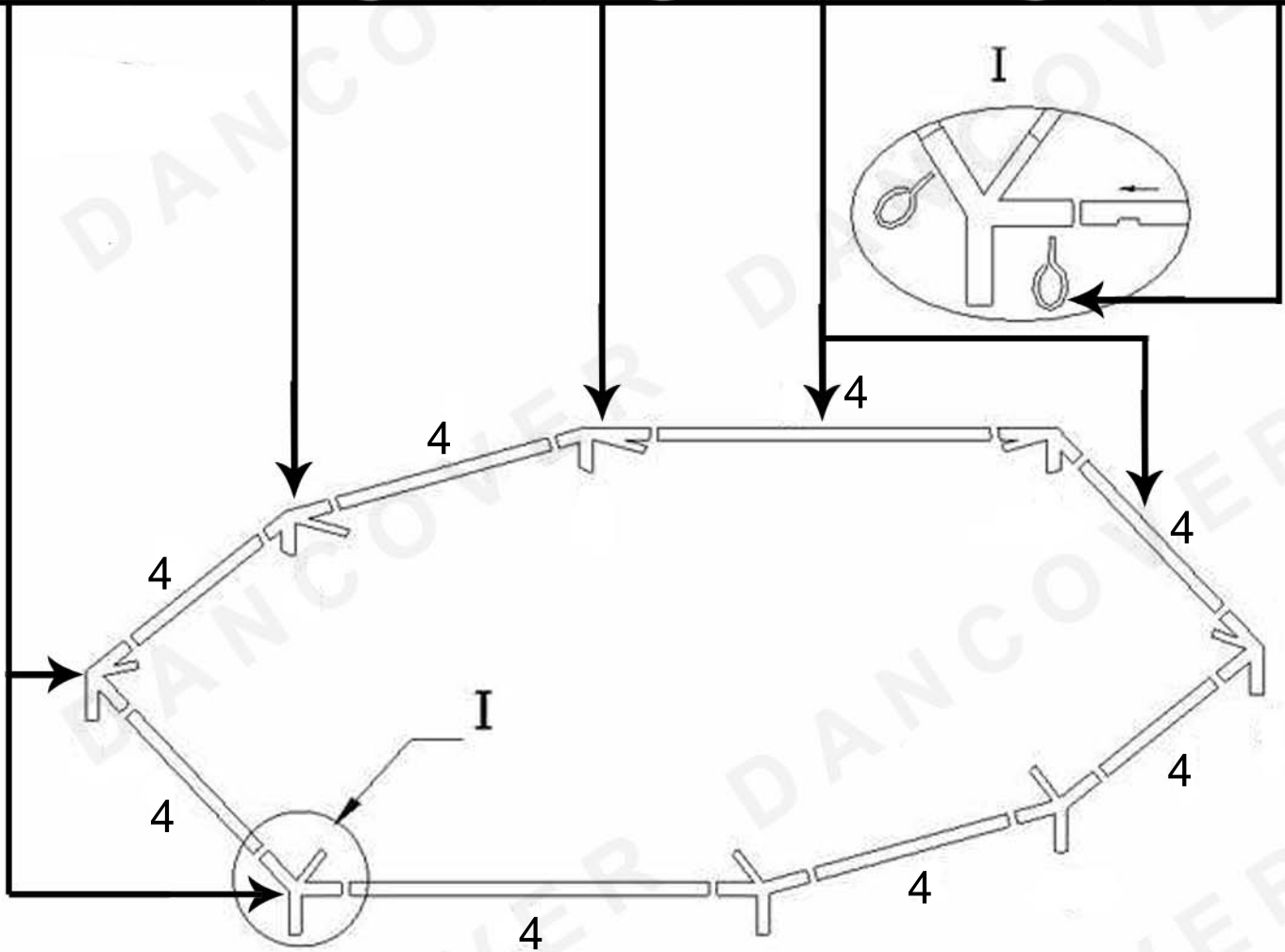
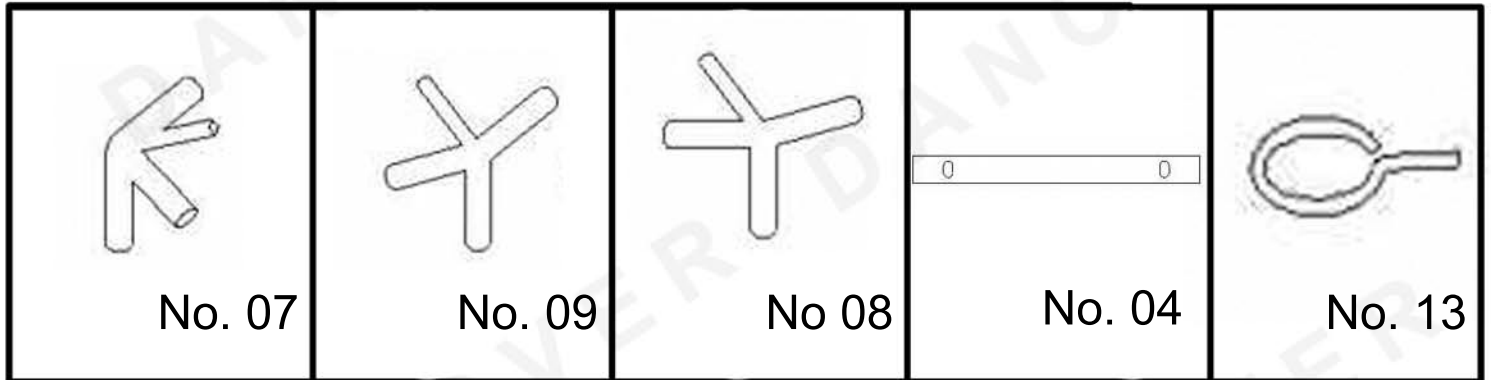
**Attention:** Marquees are made for use at parties and other festive arrangements and are as such only meant for short term temporary assembly and the following disassembly. Please note that the warranty will not apply if used in any other way.



## Warning!:

1. In some countries approval is needed to set up a tent larger than 75 m<sup>2</sup>.
2. The owner of the tent has the sole responsibility to make sure that these local rules are followed and that the mounting is correct.
3. It is always recommended that you secure your tent properly with storm straps and ground pegs when you put up the structure.
4. In case of extreme weather conditions the tent cover must be removed.
5. This structure is not tested for specific snow and wind loads.
6. Do not use open fire, welding equipment or other ignition sources in the tent.
7. We recommend you to insure the tent, or check if it is covered by home contents insurance, in case of unplanned events, accidents or bad weather.

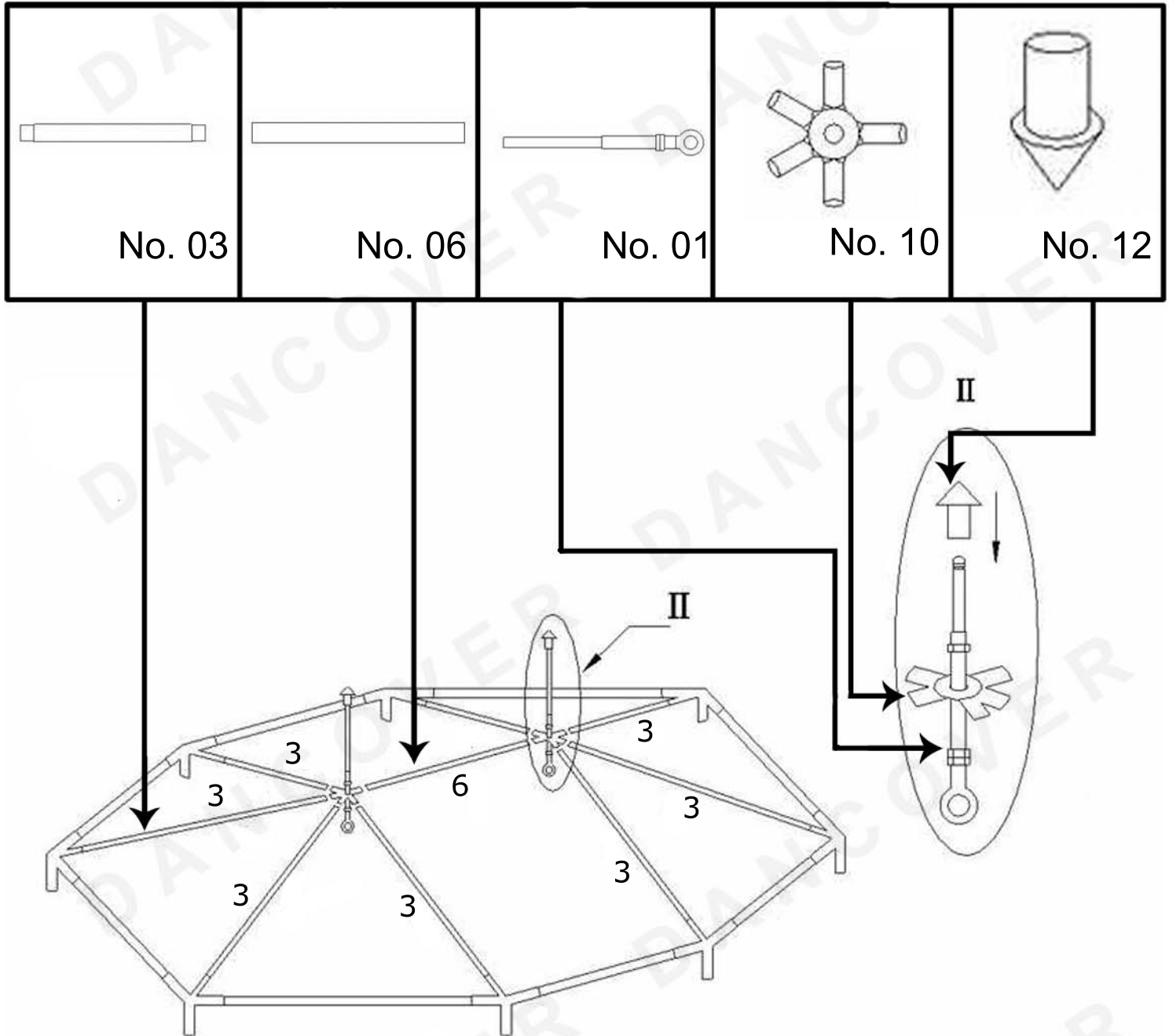
# Assembly



**Step 1:** Lay out and connect the basic shape as shown above.

**Step 2:** Fasten the connections as shown in I.

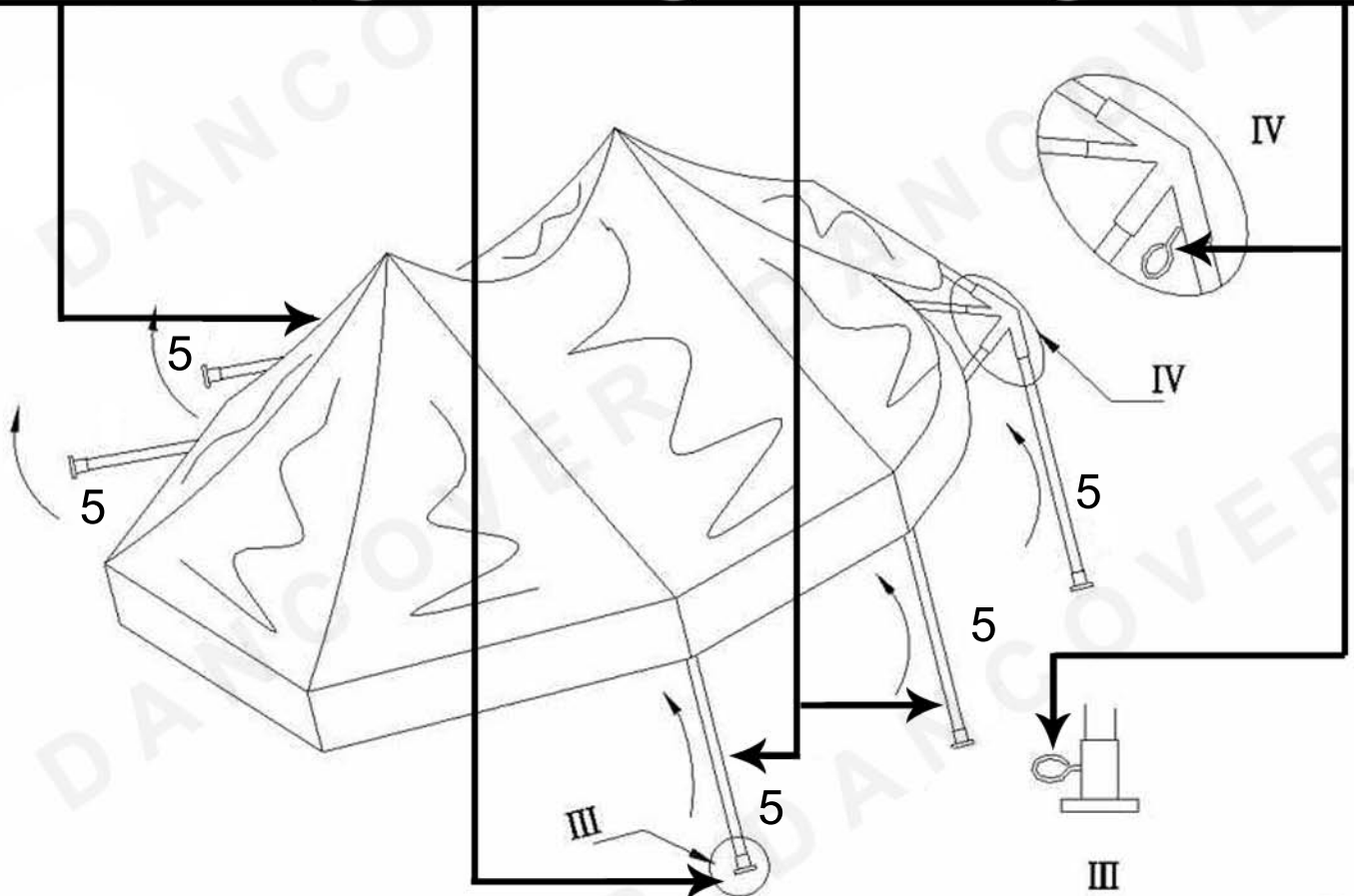
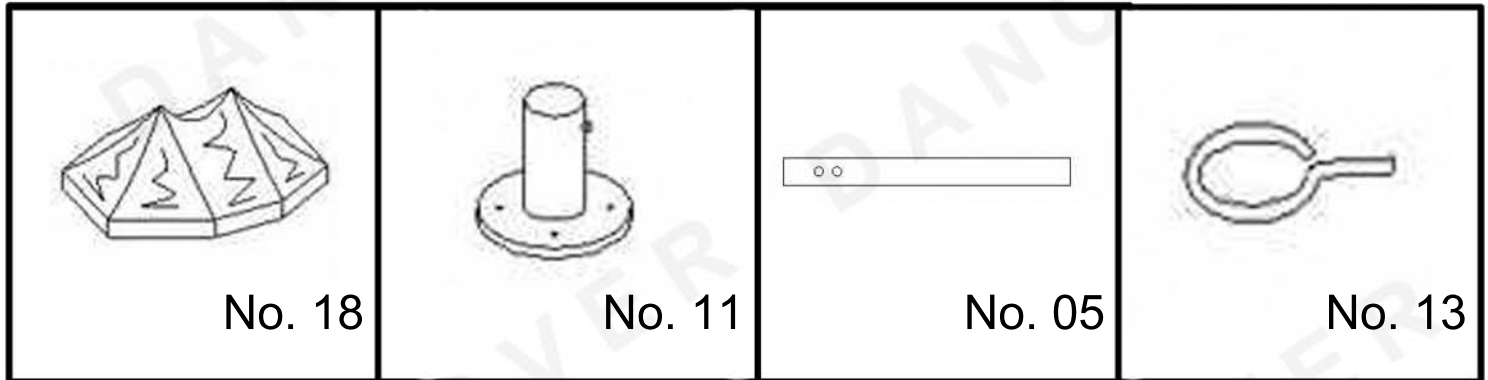
# Assembly



**Step 3:** Build up the roof structure as shown above,

**Step 4:** Put no. 01 through No. 10 and top of with No. 12

# Assembly



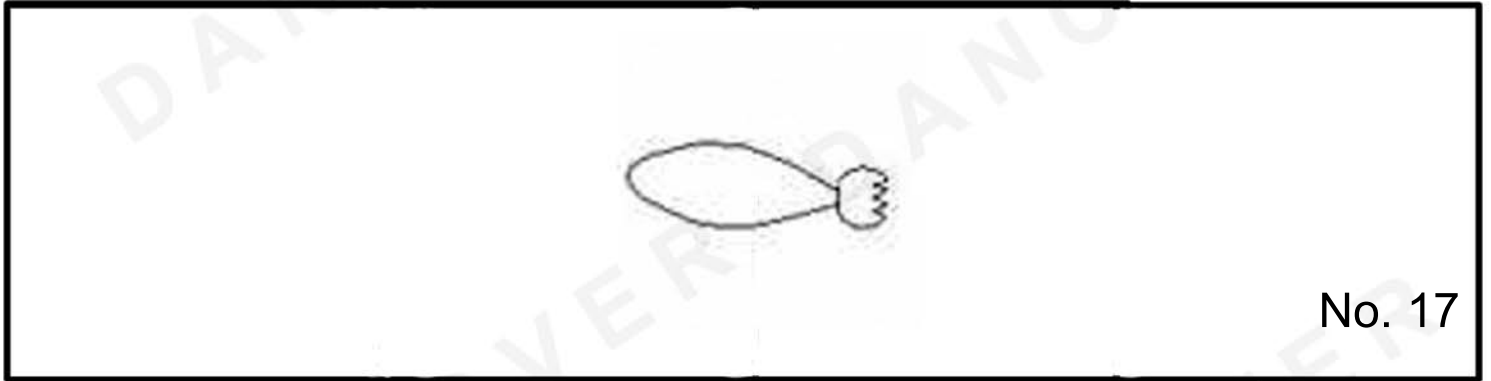
**Step 5:** Put the roofcover on the frame.

**Step 6:** Assemble the legs as shown in III

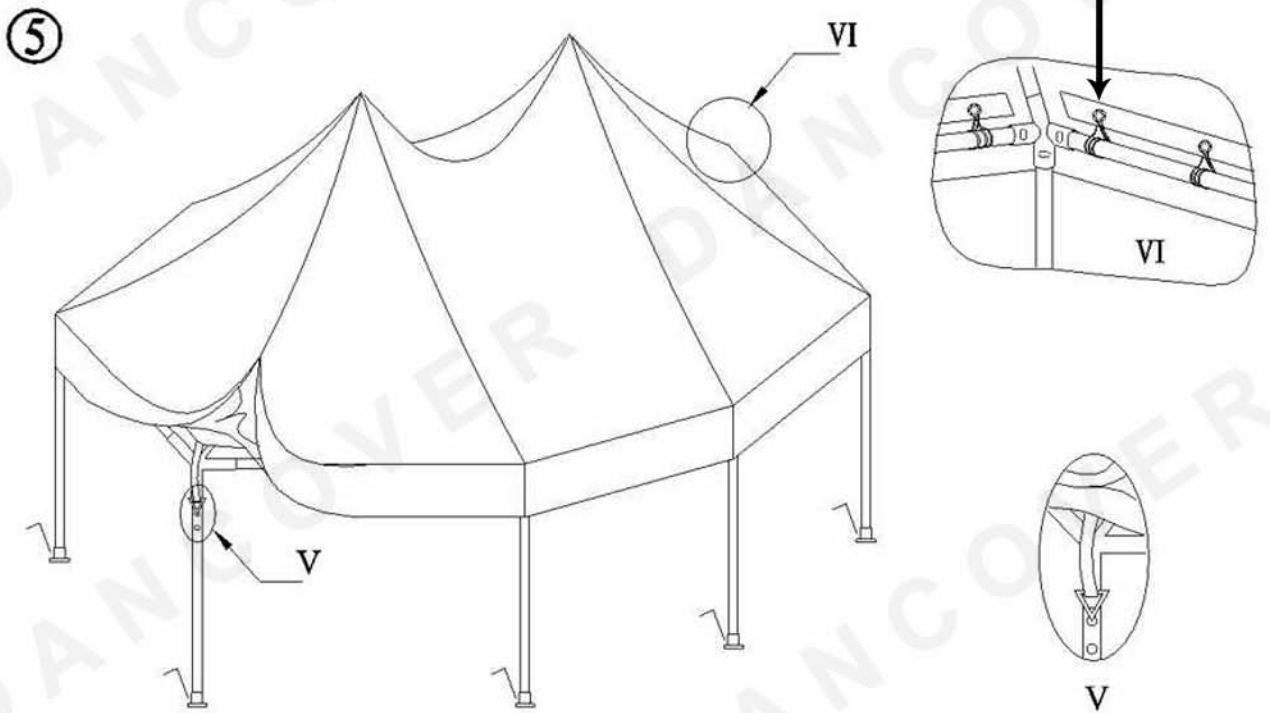
**Step 7:** Raise the structure one side at a time using the legs, the fasten the legs to the roof as shown in IV.



# Assembly



No. 17



**Step 8:** fasten the structure to the ground using Stake pegs (No. 14).

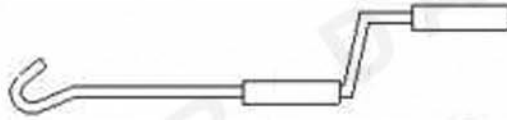
**Step 9:** Apply the hook from roofcover to Legs as shown in V.

**Step 10:** Fasten roofcover with bungeeballs (No. 17) as shown in VI.

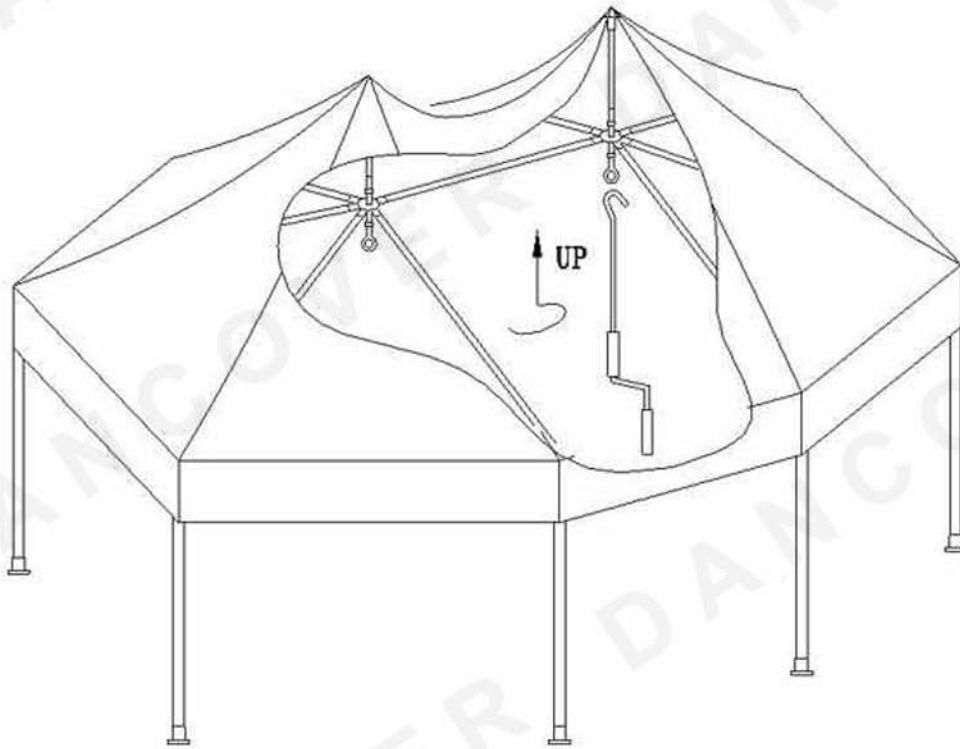
**DANCOVER**®



# Assembly

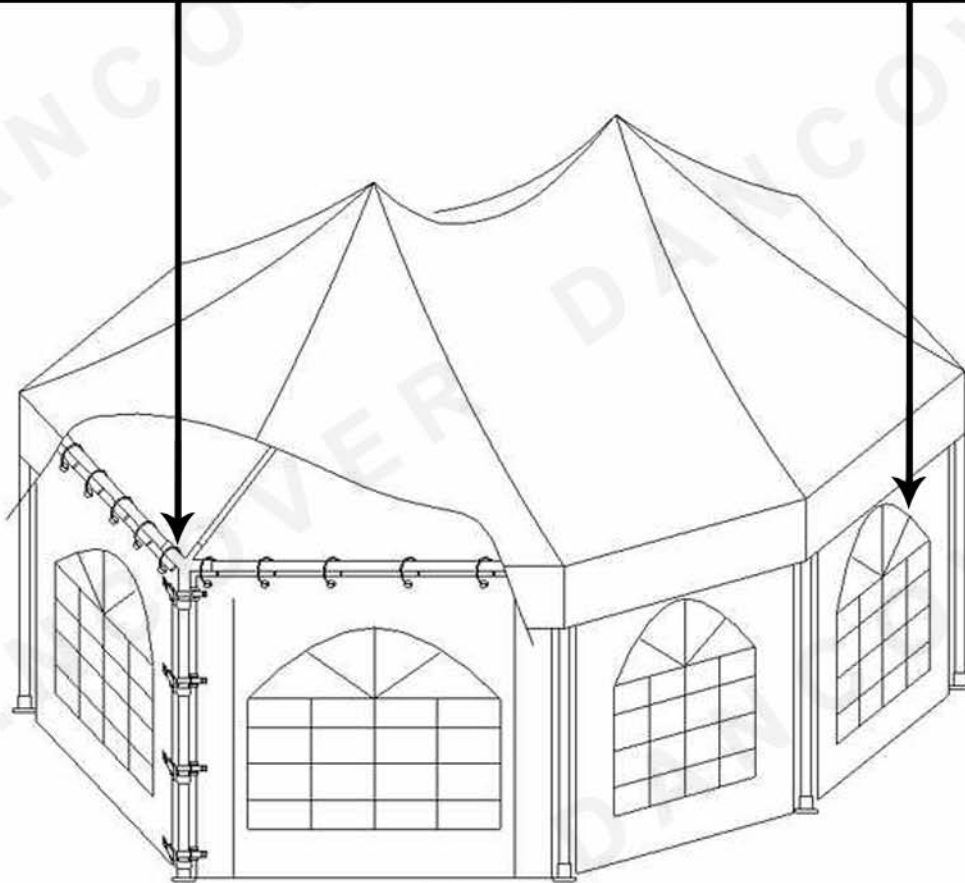
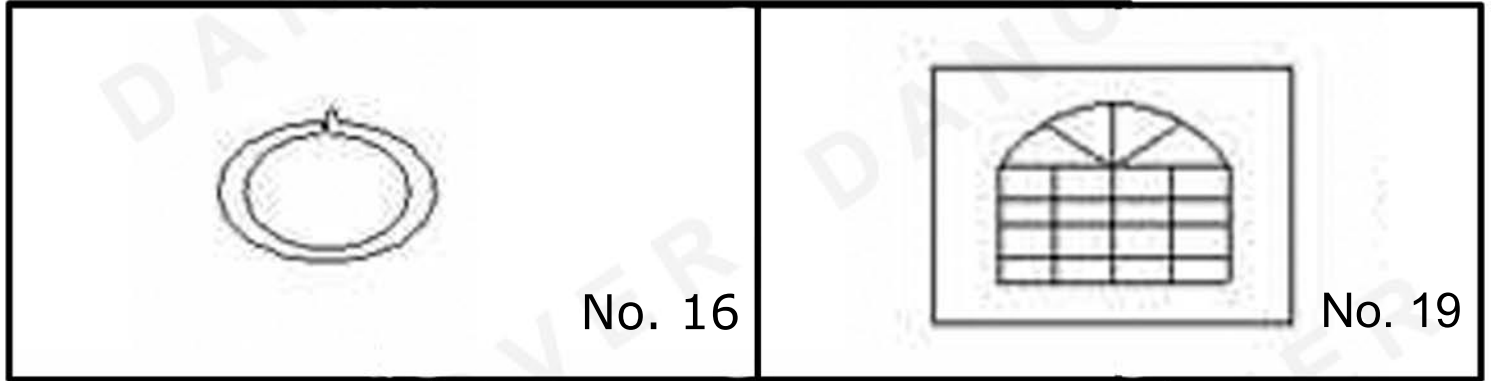


No. 02



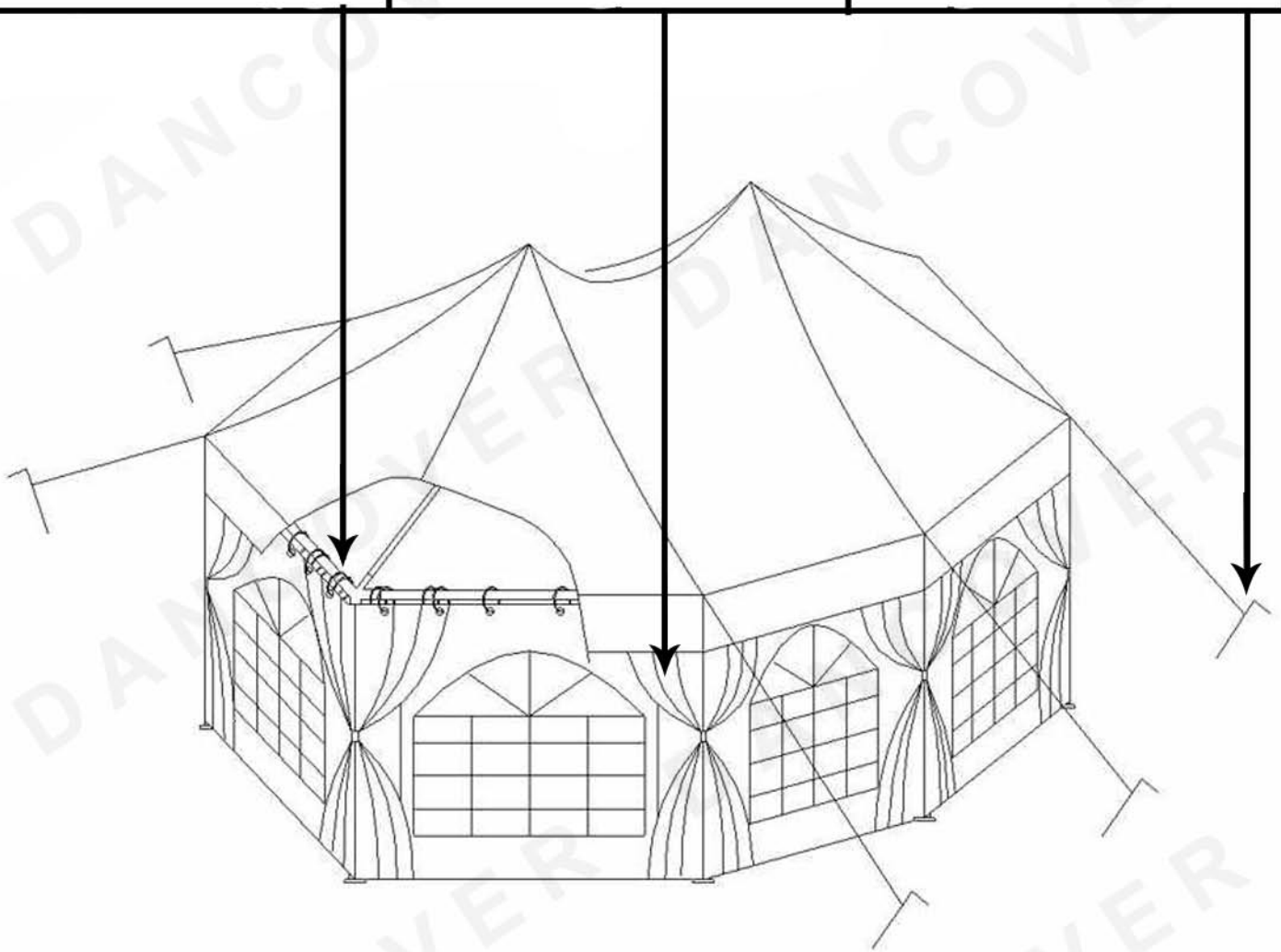
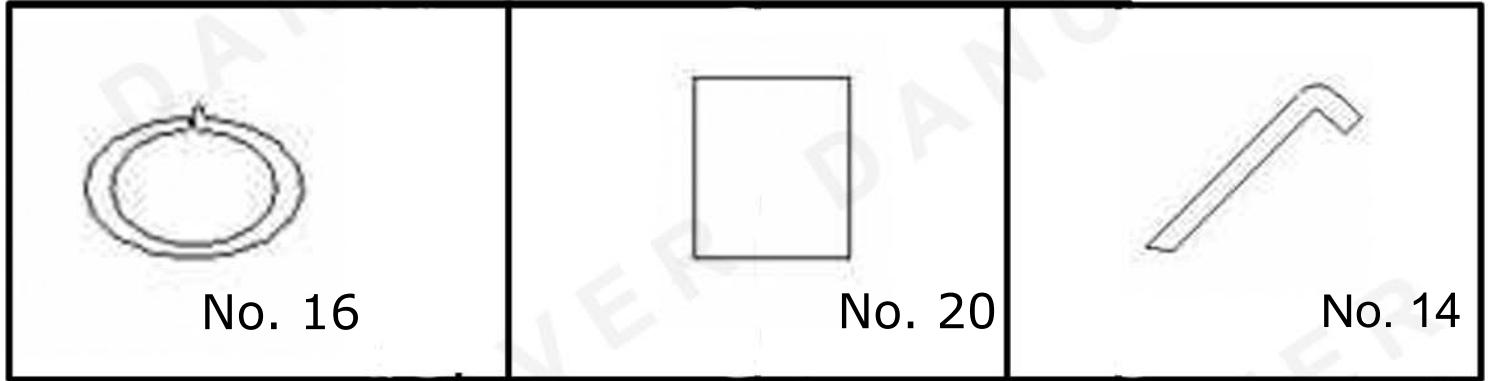
**Step 11:** Tighten the Roofcover using No. 02 as shown above.

# Assembly



**Step 11:** Use the plastic rings (No. 16) to place the sidewalls (No. 19).

# Assembly



**Step 11:** Use the plastic rings (No. 16) to fasten the curtains (No. 20) at the corners.

**Step 12:** Fasten structure to ground using guy lines (No. 15) and stake pegs (No 14)

## Contact information

### Head office:

Dancover A/S  
Nordre Strandvej 119 G  
3150 Hellebæk  
Denmark

For more information  
please visit:  
[www.dancovershop.com](http://www.dancovershop.com)

## National contact

Denmark:  
[denmark@dancover.com](mailto:denmark@dancover.com)

UK:  
[uk@dancover.com](mailto:uk@dancover.com)

Germany:  
[germany@dancover.com](mailto:germany@dancover.com)

France:  
[france@dancover.com](mailto:france@dancover.com)

Sweden:  
[sverige@dancover.com](mailto:sverige@dancover.com)

Finland:  
[suomi@dancover.com](mailto:suomi@dancover.com)

Poland:  
[polska@dancover.com](mailto:polska@dancover.com)

Luxembourg:  
[luxembourg@dancover.com](mailto:luxembourg@dancover.com)

Spain:  
[espana@dancover.com](mailto:espana@dancover.com)

Italy:  
[italia@dancover.com](mailto:italia@dancover.com)

Switzerland:  
[schweiz@dancover.com](mailto:schweiz@dancover.com)

Austria:  
[austria@dancover.com](mailto:austria@dancover.com)

Norway:  
[norge@dancover.com](mailto:norge@dancover.com)

Nederland:  
[nederland@dancover.com](mailto:nederland@dancover.com)

Ireland:  
[ireland@dancover.com](mailto:ireland@dancover.com)

Belgium:  
[belgique@dancover.com](mailto:belgique@dancover.com)