

DANCOVER[®] 

Pagoda
7x7 m

DANCOVER[®]

.com

Safety Advice

Attention

In some countries approval is needed to set up a tent larger than 75 m².

The owner of the tent has the sole responsibility to make sure that these local rules are followed and that the mounting is correct.

In case of bad weather conditions, it is your responsibility to ensure that people inside are safe and that the tent does not cause damage to others.

Do not use open fire, welding equipment or other ignition sources in the tent. Though the fabric is made of flame retardant material it can still burn.

It is always recommended that you secure your tent properly with safety straps and augers when you put up the structure.

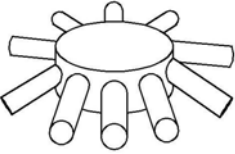
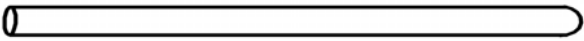
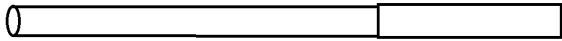
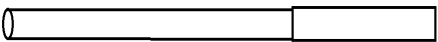
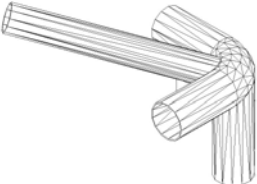
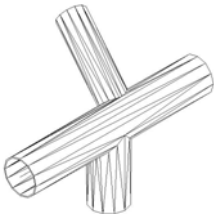
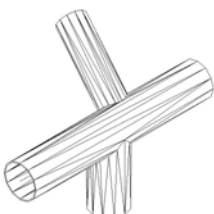
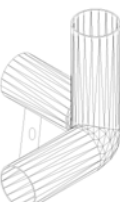

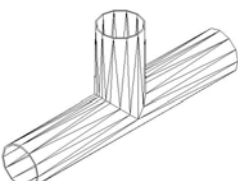
We recommend you to insure the tent, or check if it is covered by home contents insurance, in case of unplanned events, accidents or bad weather.











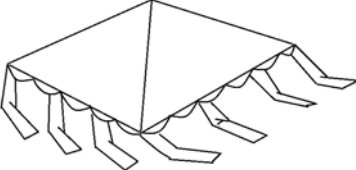
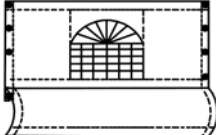
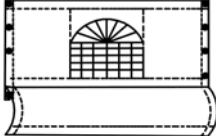
Tents are meant as temporary shelter and must be evacuated under extreme weather conditions.

This structure is not tested for specific snow and wind loads. That's why we always recommend to remove snow from the top.

Attention: Marquees are made for use at parties and other festive arrangements and are as such only meant for short term temporary assembly and the following disassembly. Please note that the warranty will not apply if used in any other way.

7x7M-2.3 PVC Pagoda INSTRUCTION

ARTS NO.	Reference image	7x7m
1		1
2		12
3		12
4		4
5		4
6		4
7		4
8		4
9		24
10		8

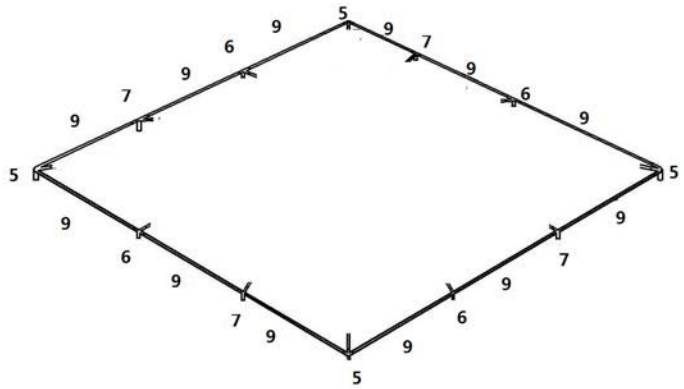
11		12
12		1
13		4
15		4
16		4
17		44
18		48
19		142
20		4
21		12
22		1
23		10
24		2

Assemble Manual

STEP 1

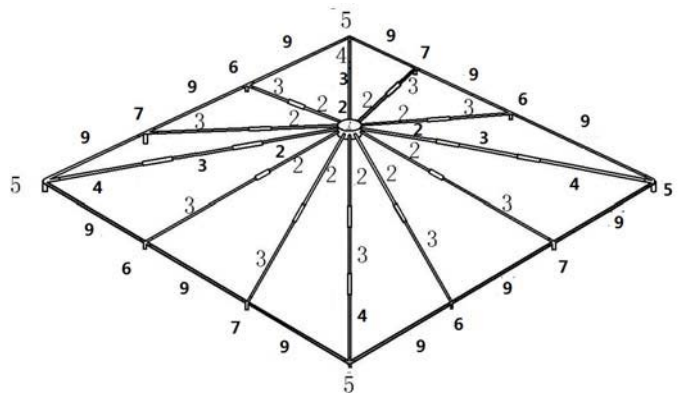
Select a flat ground for the tent, unpack the carton and check all the parts including tubes, tent and accessories... etc. are present as same as list.

Assemble the framework of rooftop by joining the portion (6.7.8.) together with poles (11). To ensure the screw fixed to every pole tightly



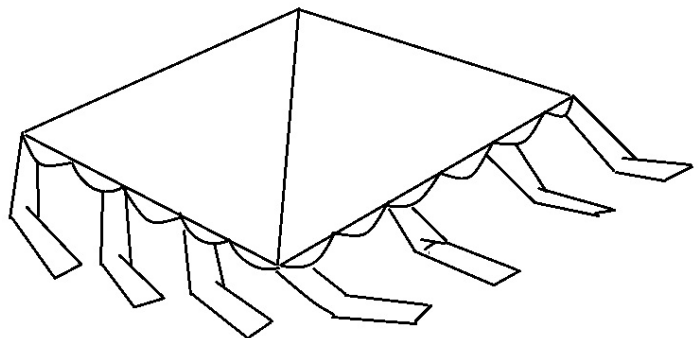
STEP 2

Complete the roof structure. Strengthen the whole roof structure by steel wires (13.14)



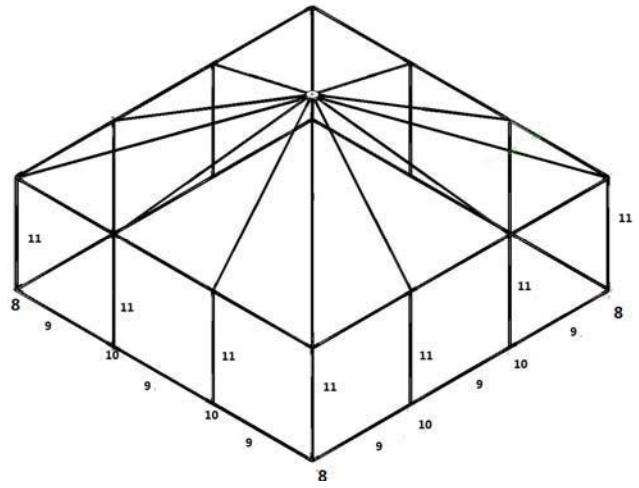
STEP 3

Cover the roof on the frame, and attach it by the bungee balls properly, take care of the tension of the bungee balls, for if you use too many on one side of tent, it may too tight to tie the other side of it .



STEP 4

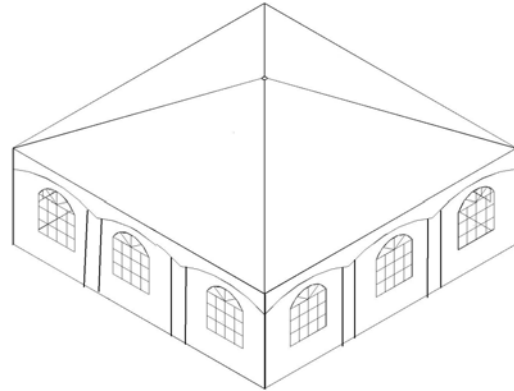
Attached all legs in to the connector, and finish the groundframe to the structure



Assemble manual

STEP 5

Hang all the sidewalls



Warning:

1. In order to avoid being rusted by air, oil is covered on the surface of the pipes, before set up the tent, please remove the oil carefully first to keep the cover clean.
2. Take note that the tent needs to be handled carefully to avoid damage.
3. Do not force the frame as they may be damage in the process.
4. Tents are meant as temporary shelter and must be evacuated under extreme weather conditions.
5. The windows maybe a little bit sticky to each other, when you unfold the windows, please do as softly as you can .Or the windows maybe crack during the process.

Please select a suitable site for the tent to avoid the damage to underground sprinkler systems, water, gas or electrical lines.

Contact information

Head office:

Dancover A/S
Nordre Strandvej 119 G
3150 Hellebæk
Denmark

For more information
please visit:
www.dancovershop.com

National contact

Denmark:

denmark@dancover.com

UK:

uk@dancover.com

Germany:

germany@dancover.com

France:

france@dancover.com

Sweden:

sverige@dancover.com

Finland:

suomi@dancover.com

Poland:

polska@dancover.com

Luxembourg:

luxembourg@dancover.com

Spain:

espana@dancover.com

Italy:

italia@dancover.com

Switzerland:

schweiz@dancover.com

Austria:

austria@dancover.com

Norway:

norge@dancover.com

Nederland:

nederland@dancover.com

Ireland:

ireland@dancover.com

Belgium:

belgique@dancover.com