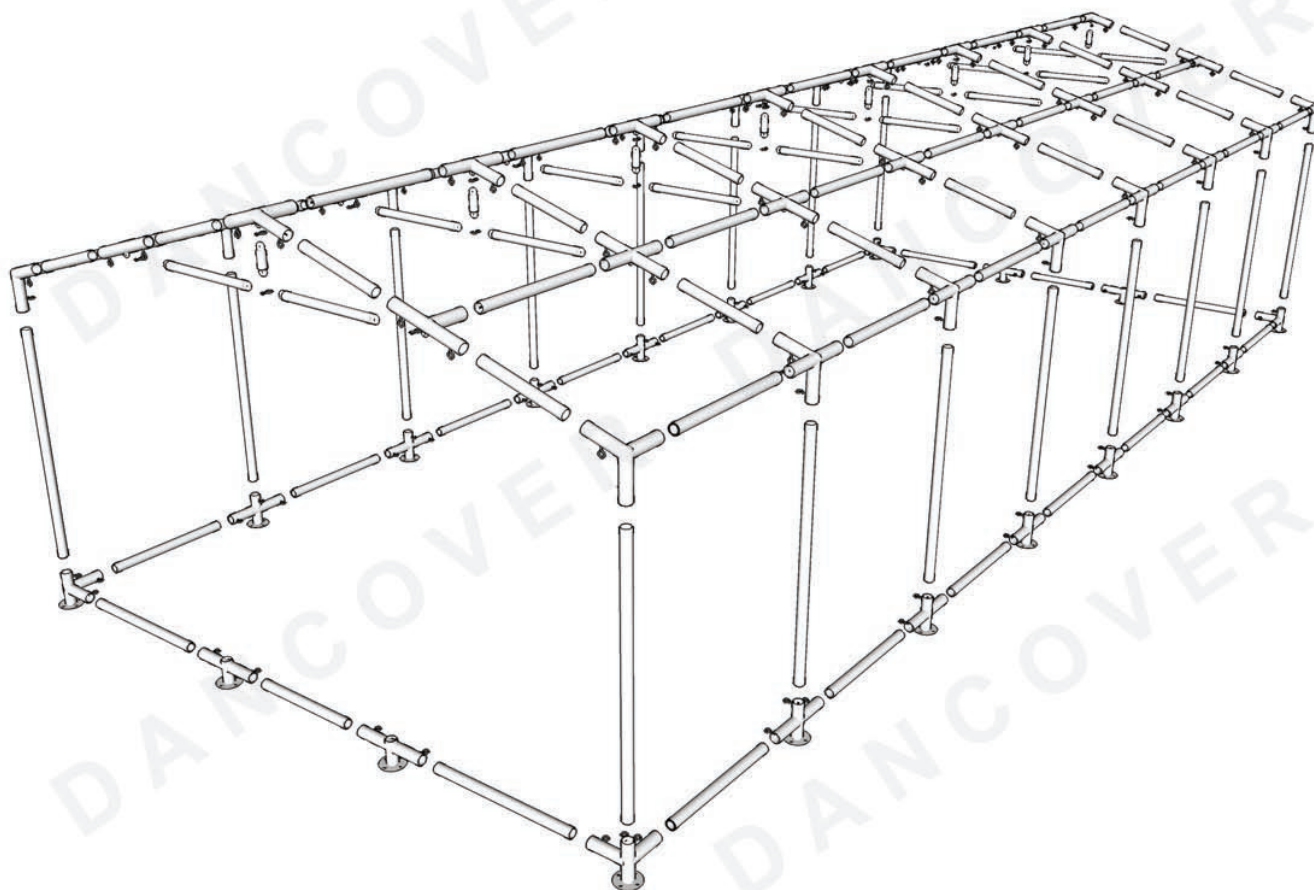







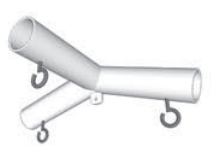
















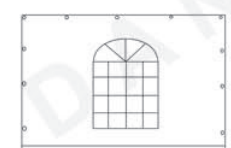
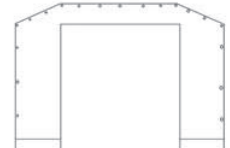


6x14m PVC Marquee Assembly Guide



DANCOVER®

Part List

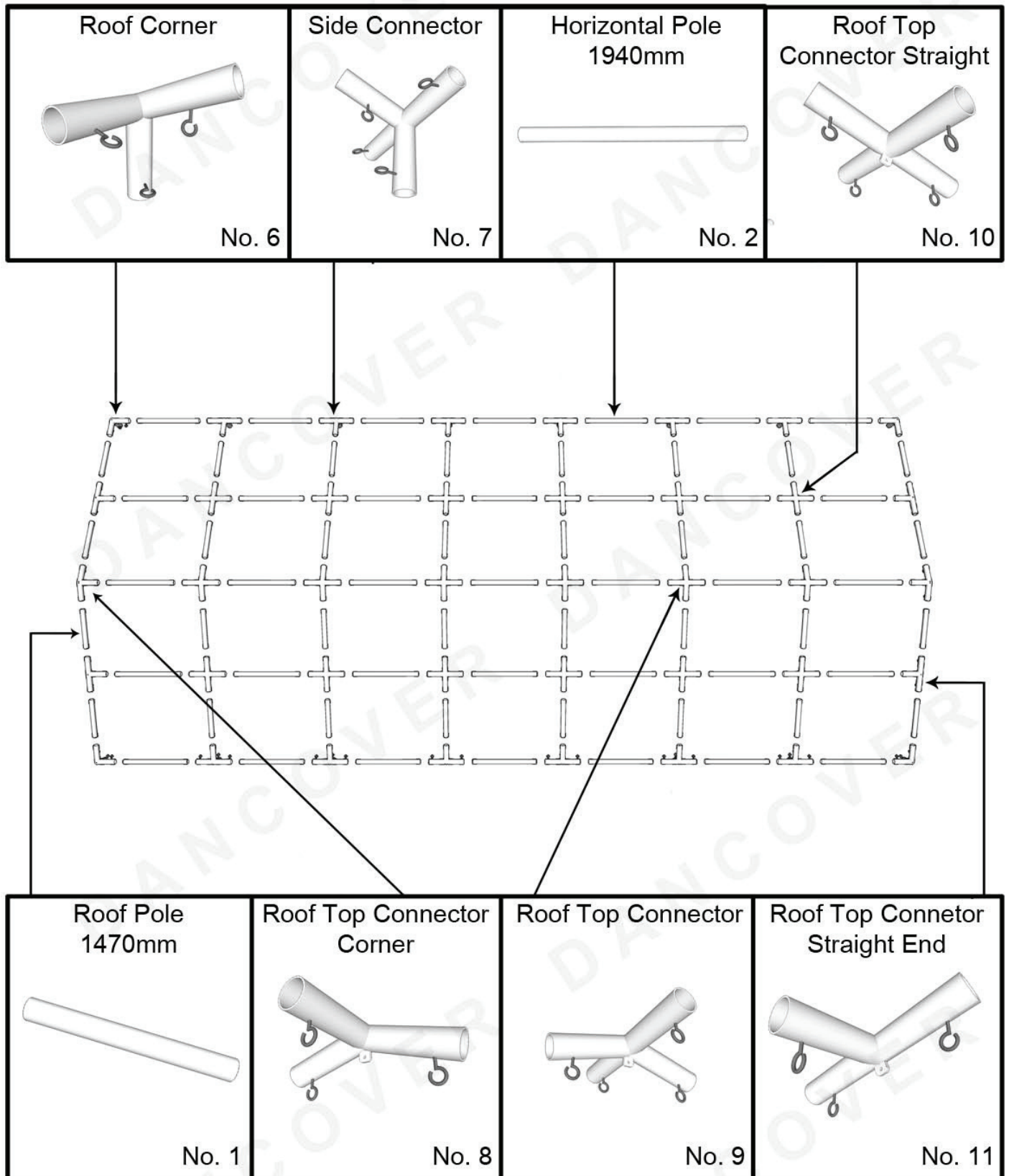
 1470mm		 1940mm					
No. 1	32pcs	No. 2	55pcs	No. 3	16pcs	No. 4	16pcs
							
No. 5	8pcs	No. 6	4pcs	No. 7	12pcs	No. 8	2pcs
							
No. 9	6pcs	No. 10	12pcs	No. 11	4pcs	No. 12	4pcs
							
No. 13	12pcs	No. 14	4pcs	No. 16	4pcs	No. 17	16pcs
							
No. 18	60pcs	No. 18	242pcs	No. 19	32pcs	No. 20	192pcs
							
No. 21	26pcs	No. 22	4pcs	No. 23	16pcs	No. 24	1pcs
						DANCOVER®	
No. 25	14pcs	No. 26	2pcs				



Warning!:

- 1.** In some countries approval is needed to set up a tent larger than 75 m².
- 2.** The owner of the tent has the sole responsibility to make sure that these local rules are followed and that the mounting is correct.
- 3.** It is always recommended that you secure your tent properly with storm straps and ground pegs when you put up the structure.
- 4.** In case of extreme weather conditions the tent cover must be removed.
- 5.** This structure is not tested for specific snow and wind loads.
- 6.** Do not use open fire, welding equipment or other ignition sources in the tent.
- 7.** We recommend you to insure the tent, or check if it is covered by home contents insurance, in case of unplanned events, accidents or bad weather.

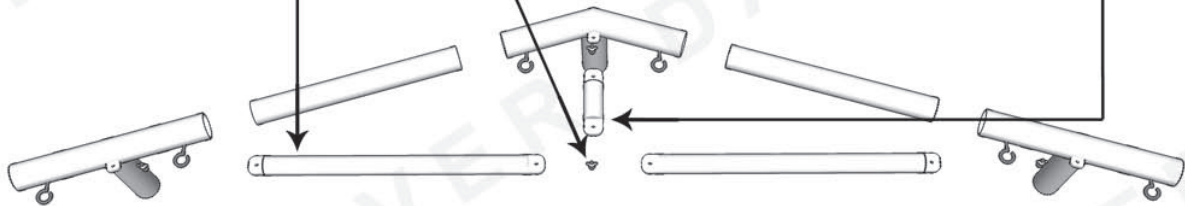
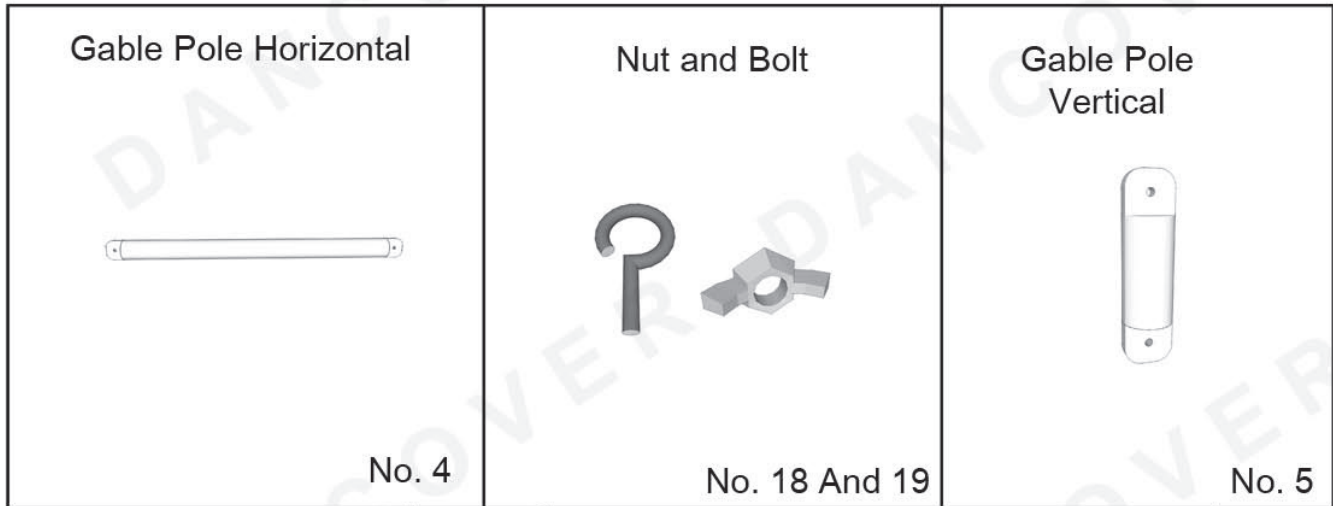
Assembly



Step 1: Lay out all roof tubes and connectors as shown above.

Step 2: Join the roof tubes and connectors from middle and out.

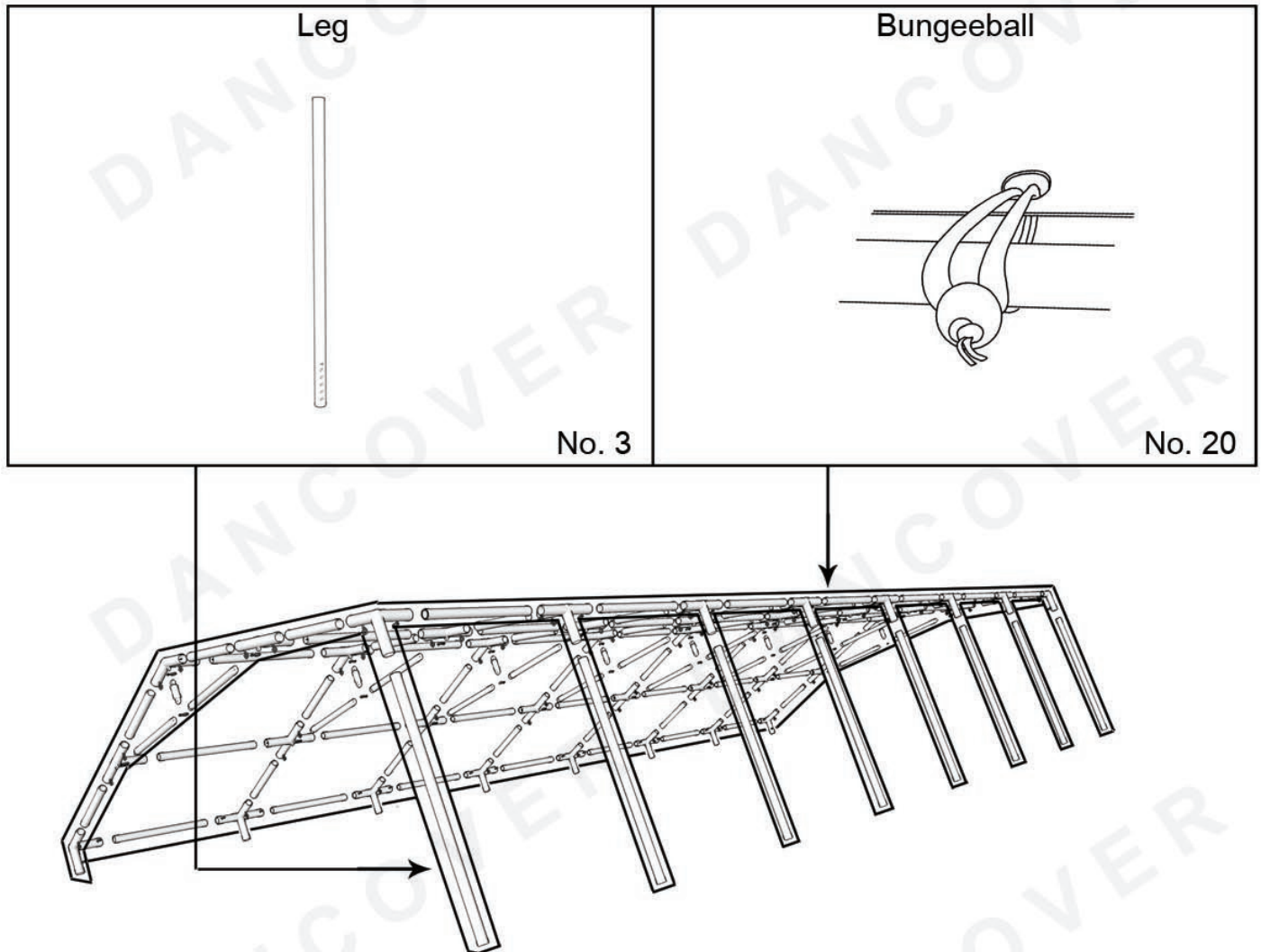
Gable Assembly



Step 3: Apply the gable safety bars as shown above.

Step 4: Make sure all screws are tightened.

Standing Leg Assembly

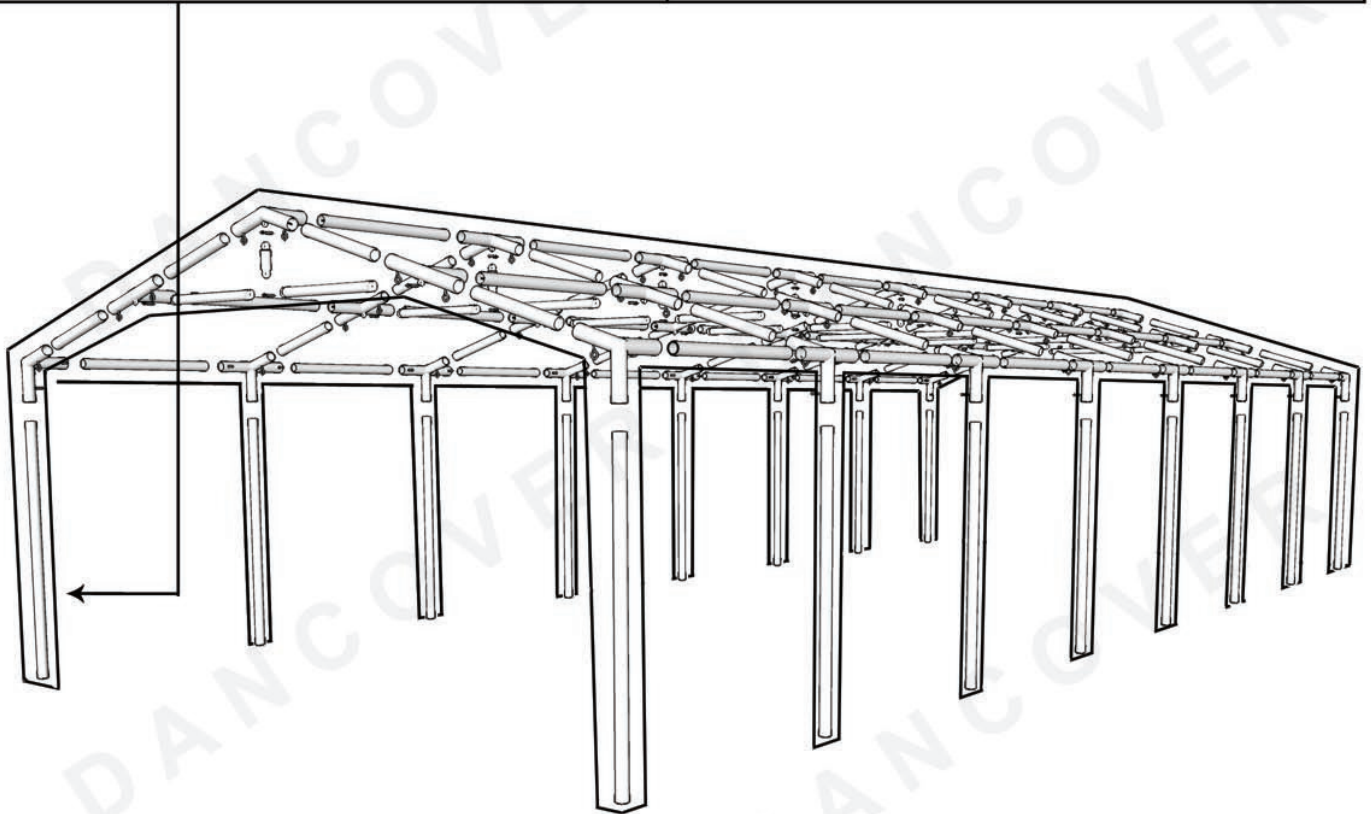
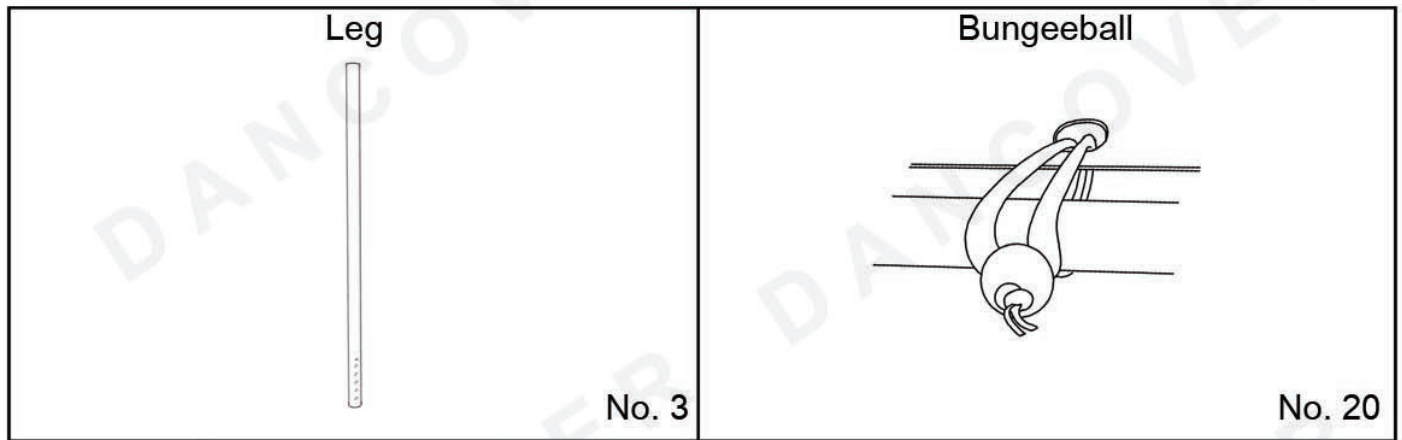


Step 5: Apply legs in one side as shown above.

Step 6: Put the roof cover on and tie down with bungeeballs as shown.

* *Note, tie in the bungee-balls 5 at one side followed by 5 in the other and continue until finished*

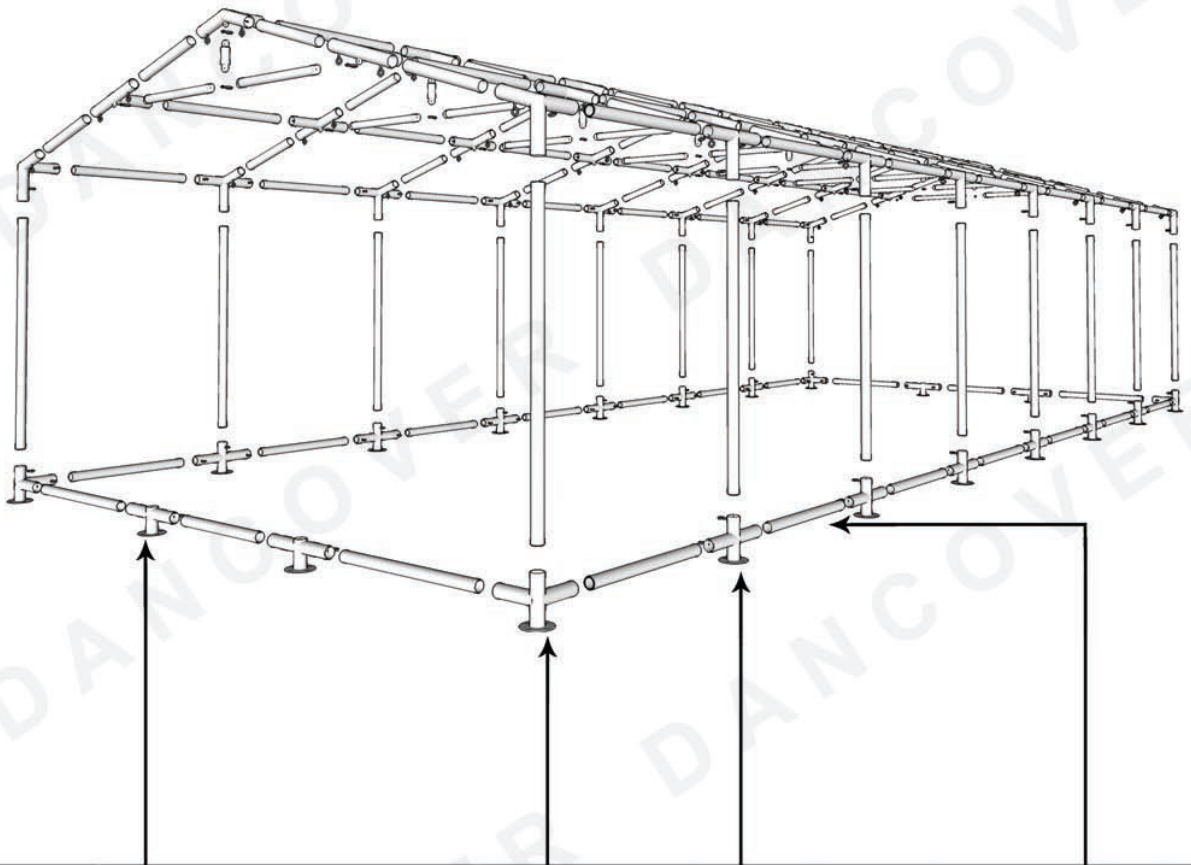
Standing Leg Assembly







Step 7: Raise the legs in the opposite site.

Step 8: Make sure the cover is fastened.

Ground Bar Assembly

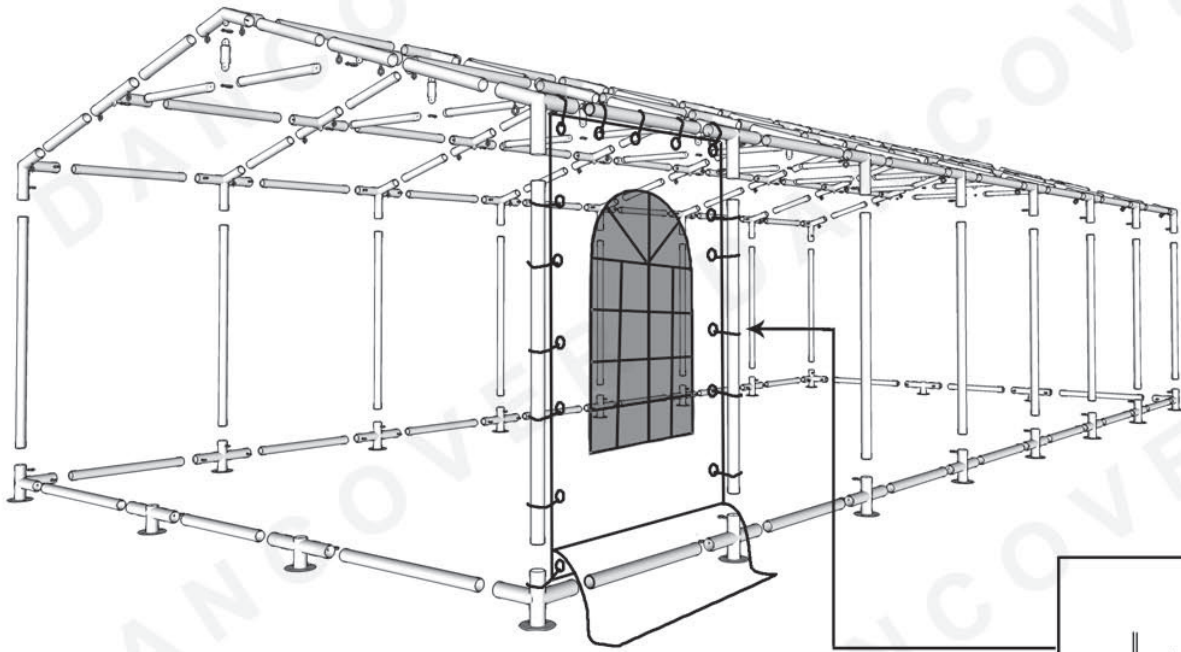


<p>Ground Bar Connector End</p>  <p>No. 14</p>	<p>Ground Bar Connector Corner</p>  <p>No. 12</p>	<p>Ground Bar Connector Side</p>  <p>No. 13</p>	<p>Horizontal Pole 1940mm</p>  <p>No. 2</p>
---	--	---	--

Step 9: Lay out the connectors and tubes of the Ground Bar.

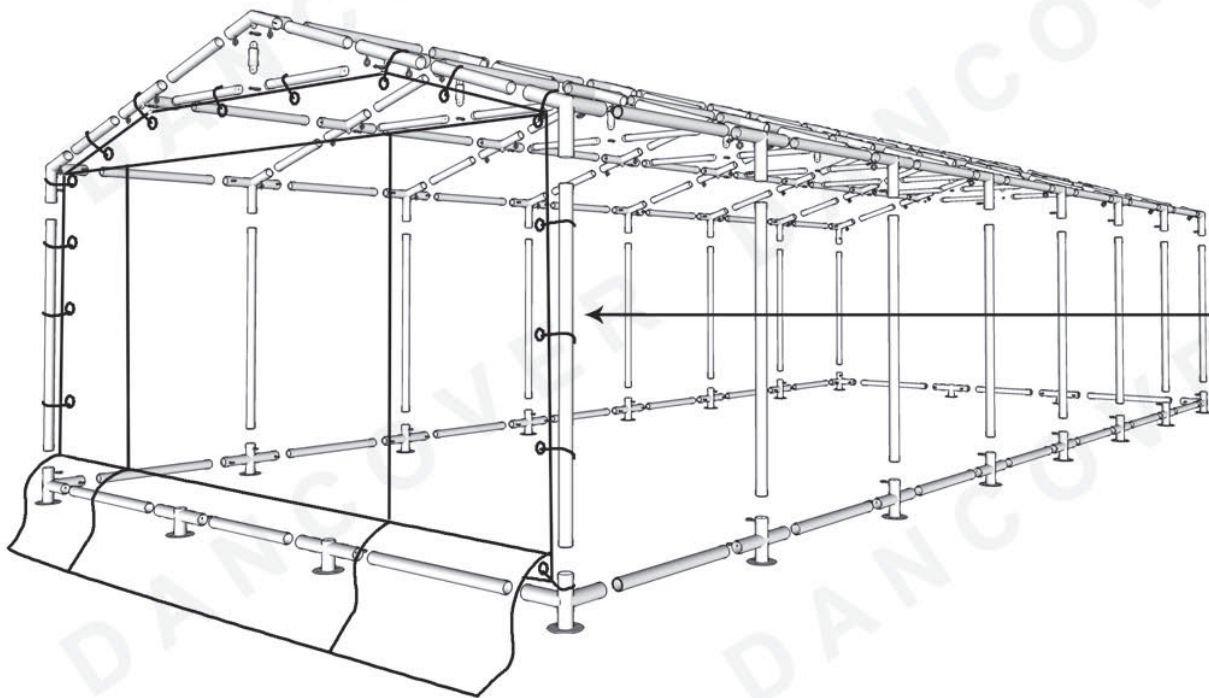
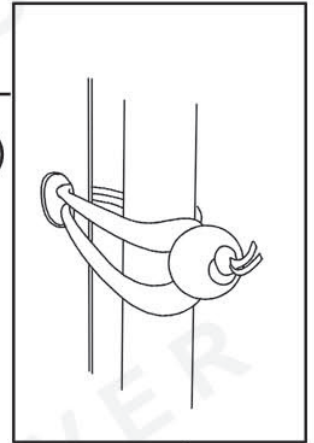
Step 10: Assemble Ground Bar as shown above.

Sidewall Assembly



Step 11: Attach sidewalls with Bungeeballs (No. 20) as shown above.

Step 12: Attach endwalls with Bungeeballs as shown below.



DANCOVER®

Contact Information

Head office:

Dancover A/S
Nordre Strandvej 119 G
3150 Hellebæk
Danmark

National Contact:

Denmark:
mail@dancover.dk
70267620

Spain:
Espana@dancover.com
902 906 098

UK:
Mail@dancover.co.uk
020 7221 0220

Italy:
italia@dancover.com
02 303 75317

Germany:
mail@dancover.de
041 0266 7040

Switzerland:
schweitz@dancover.com
0840000125

France:
france@dancover.com
0810 000 219

Austria:
austria@dancover.com
0662 626 935

Sweden:
mail@dancover.se
040 233 262

Norway:
norge@dancover.dk
231 00 690