

**DANCOVER<sup>®</sup>**

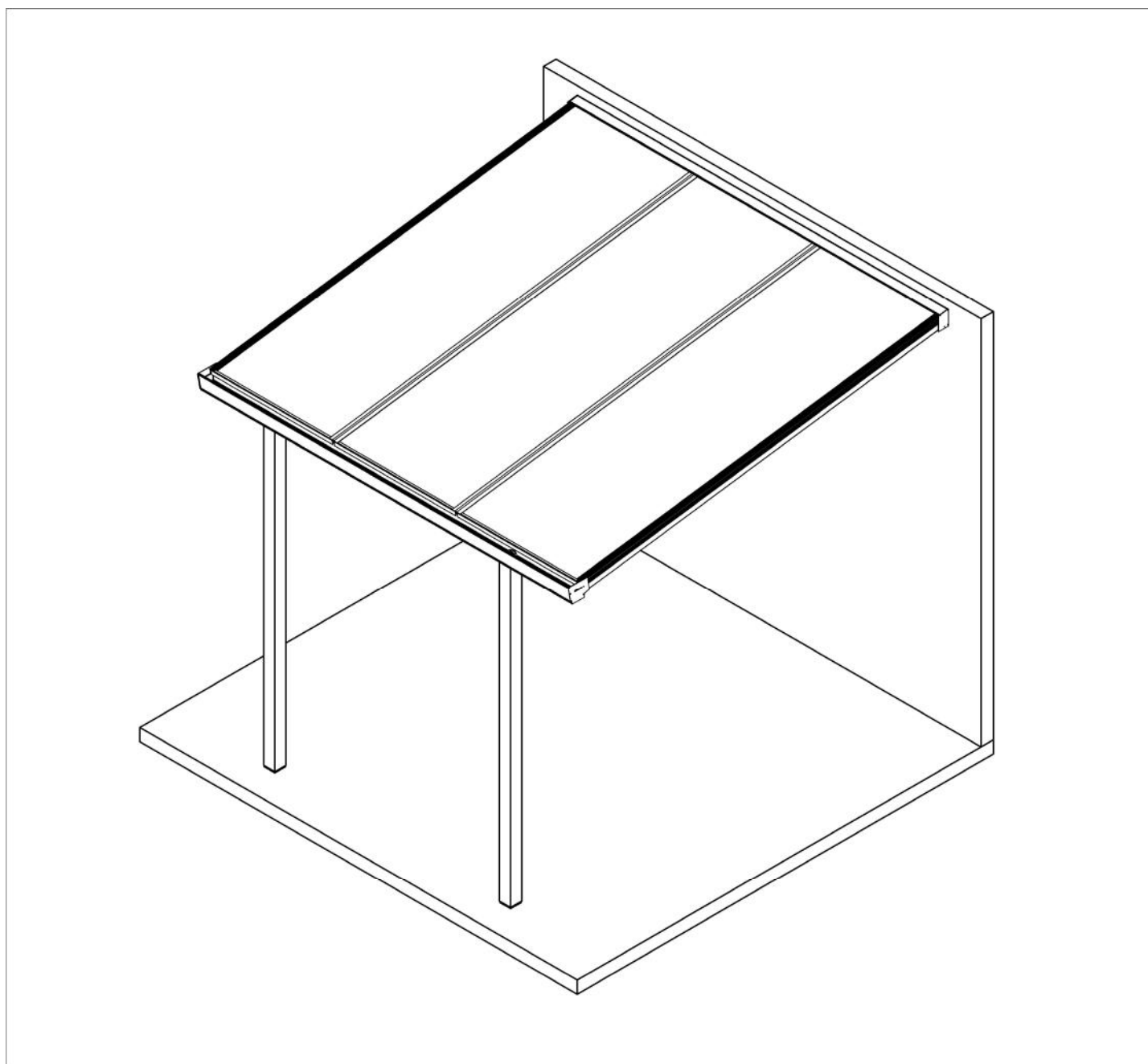
**.com**

Manual  
for  
Patio Cover Easy  
3x3m

# Patio Cover

300x300 cm

## EN - Assembly Instructions



**Manual for the end user and the installer:**

Dear customer,

Thank you for purchasing one of our patio covers. This manual provides all the necessary information to quickly become familiar with the product. We kindly ask you to read this information carefully before working with the product.



This manual is intended for the end user and installers. We recommend that the assembly of this construction be carried out by (at least) 2 qualified persons.

The assembly of the product is described in 2 chapters:

1: Preparation for assembly (from page 1)

2: Assembly (from page 10)

This is the original manual, look after it!

**Product Description:**

The patio cover may only be used to cover a terrace. Any use, other than defined here, is seen as unintended use.

The manufacturer cannot be held responsible for any (consequential) damage caused by unintended, improper or unwise use.

**Symbols used:**

This symbol means that the product is not included and you have to purchase it yourself.



This symbol means that you must use the supplied screw. The type and number of screws are shown beneath the image.

**Environmental conditions:**

This product is intended for outdoor use and may get wet.

**Tools Required:**

- Stanley knife or scissors
- Drill Ø 5mm
- Hole Saw Ø 82mm
- Cordless power drill
- Hacksaw
- Cartridge gun with silicone sealant
- Cleaning tools and cleaning products
- Pencil
- Hammer
- Mounting fixings
- Acrow props
- Shovel
- Spirit level
- Measuring tools (tape measure or ruler)
- Climbing equipment (step ladders or mobile scaffolds)

**Precautions and Safety Instructions:****Warning!**

- If your patio cover contains lighting or heating, the electrical installation may only be carried out by a qualified installer.
- The end user is responsible for the correct installation and use of the product. Improper assembly or improper use may cause damage to, or a defect in, the product. The warranty is void if the product and/or the electronic components are damaged due to improper assembly or use.
- Observe local laws and regulations when assembling and/or using the product.

**Please note!**

- Mounting materials that are not included must be purchased separately because each situation requires different fixings and depends on the substrate or construction to which it needs to be affixed. Always seek advice from a specialist building supplier about what is required in your particular situation and only use stainless steel fixings.
- All screws should be carefully tightened with a torque of 1.0 Nm. Make sure you tighten the screws with caution, when screwing into soft materials like aluminium, screws can easily get "stripped".
- When unpacking, check that all parts are present and check all components for possible damage.
- Contact your supplier if any parts are missing or damaged, if possible, take photographs of any damaged packaging and parts.

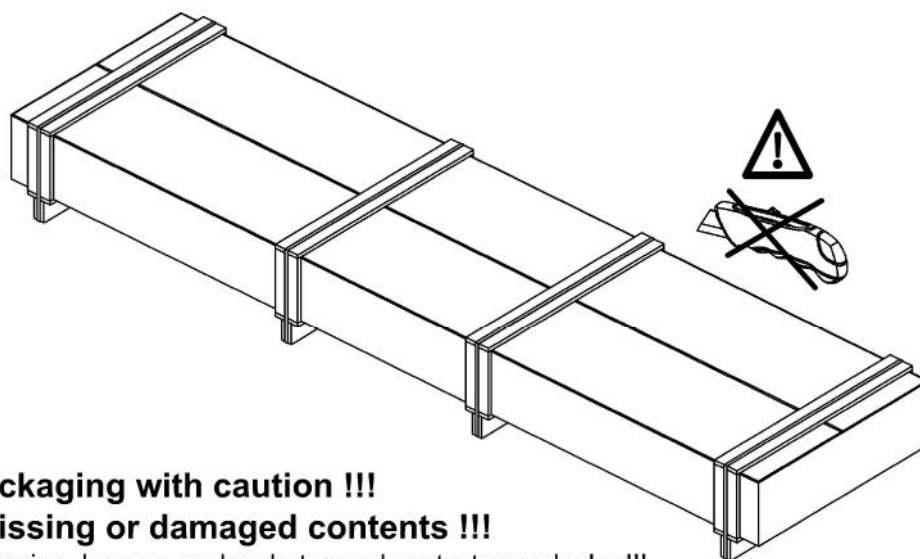
**Maintenance, environment and disposal:**

- Clean the product when dirty or at least every 6 months to ensure a longer product life.



The symbol on the material, the accessories or packaging indicates that this product may not be treated as household waste. Dispose of the device through a collection point for recycling waste electrical equipment within the EU and in other European countries that have separate collection systems for used electrical and electronic equipment. Properly disposing of the device helps you to prevent possible environmental and public health hazards that would otherwise be caused by improper handling of the waste device. Recycling materials helps to conserve natural resources, so do not dispose of your old electrical and electronic equipment through household waste.





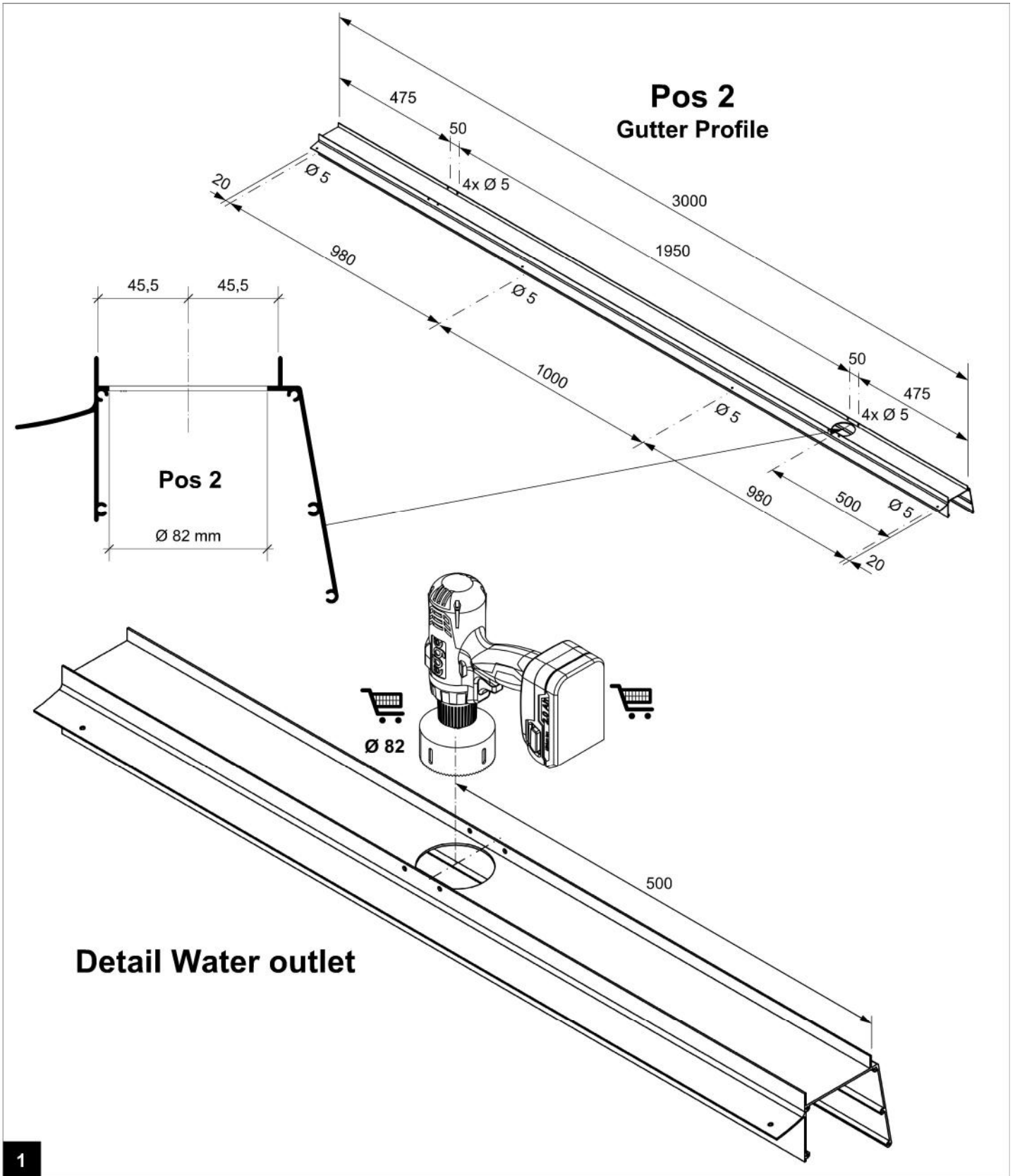
**Open the packaging with caution !!!**

**Check for missing or damaged contents !!!**

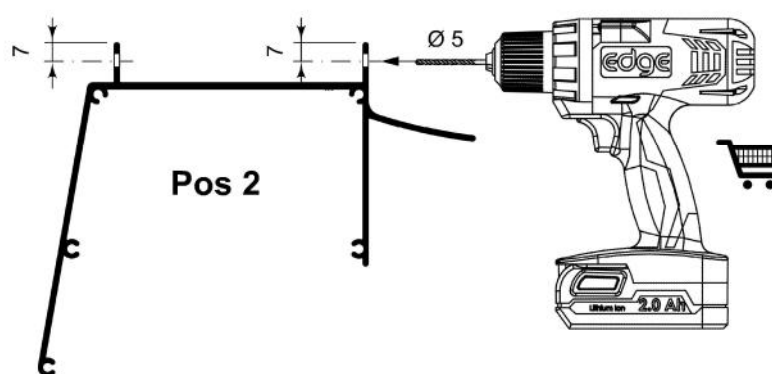
In the case of shipping damage, make photos and contact your dealer !!!

### PACKAGE CONTENTS:

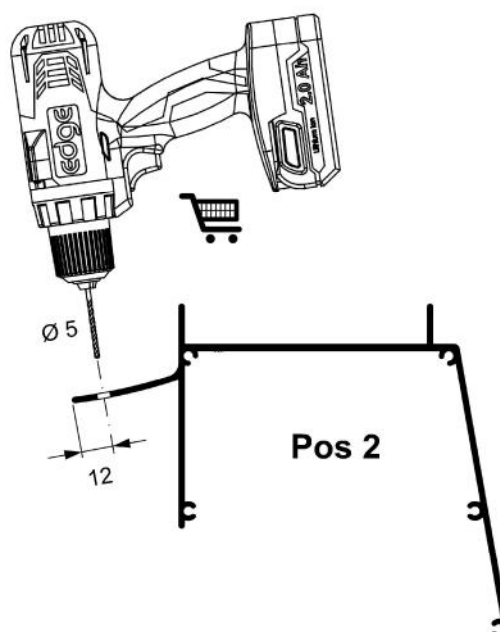
Pos. :	Article number:	Description:	Aantal:	Number:	Figure:
1	100.1140	Wall profile	1	3000 mm.	
2	100.1141	Gutter profile	1	3000 mm.	
3	100.1142	Intermediate support profile	2	2950 mm.	
4	100.1177	Side support profile	2	2950 mm.	
5	100.1017	Post 90x90 mm.	2	2400 mm.	
6	100.1057	Condensation profile	3	980 mm.	
7	102.1307	Angle plate	4	pieces	
8	102.1306	Wall profile end plate	2	pieces	
9	102.1305	Gutter profile end plate	2	pieces	
10	106.1018	Rubber cover seal	13	meter	
11	106.1001	Spaghetti seal	3,1	meter	
12	102.1018	Anti-dust tape	3,1	meter	
13	102.1017	Anti-condensation tape	3,1	meter	
14	102.1188	Cover for screw	90	pieces	
15	103.1000	Screw 4.2x19	80	pieces	
16	103.1002	Screw 4.2x32	10	pieces	
17	111.1001	Polycarbonate opal 980 mm	3	3000 mm.	
18	100.1308	U bracket	3	pieces	
19	102.1169	Leaf trap	1	pieces	



Drill the Gutter profiles according to the above dimensions and Details shown in step 2



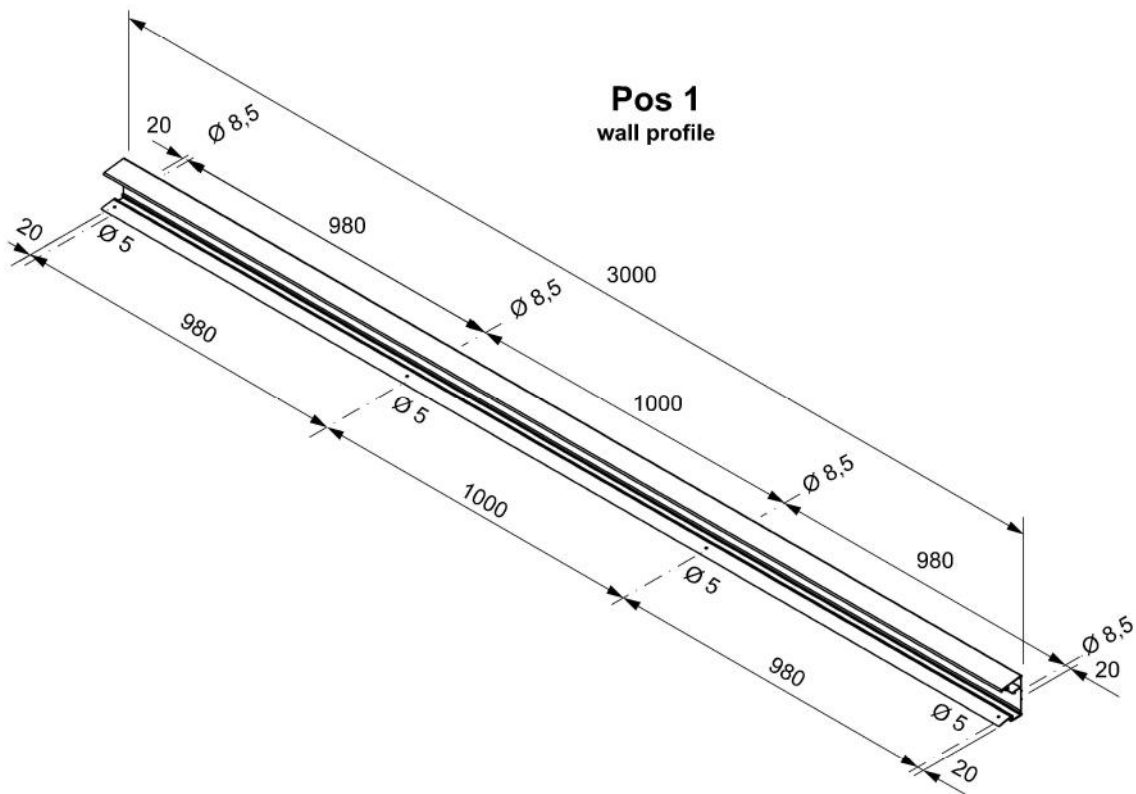
**Detail Post fixing**



**Detail Support profile fixing**

**2**

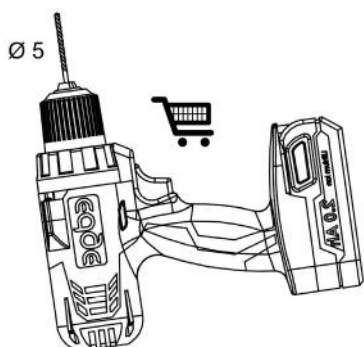
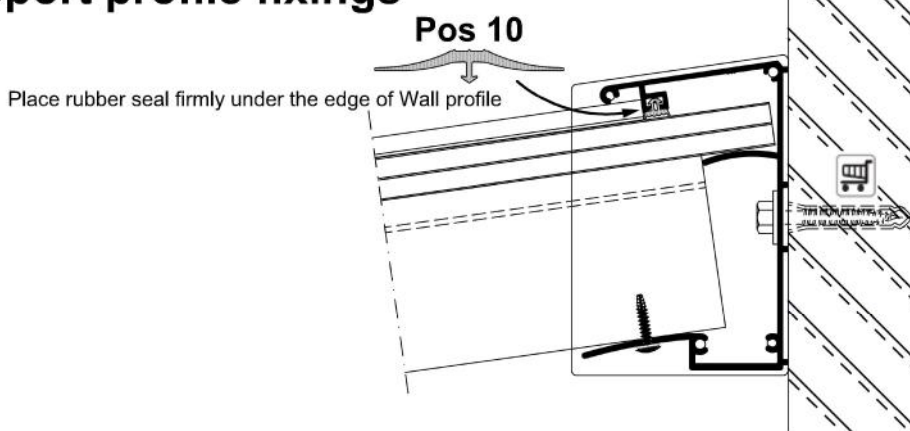
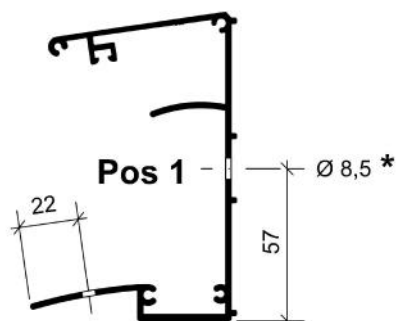
Drill the Gutter profiles according to the above Details and dimensions shown in step 1



3

Drill the Wall profiles according to the above dimensions and Details shown in step 4

## Details Wall- and Support profile fixings

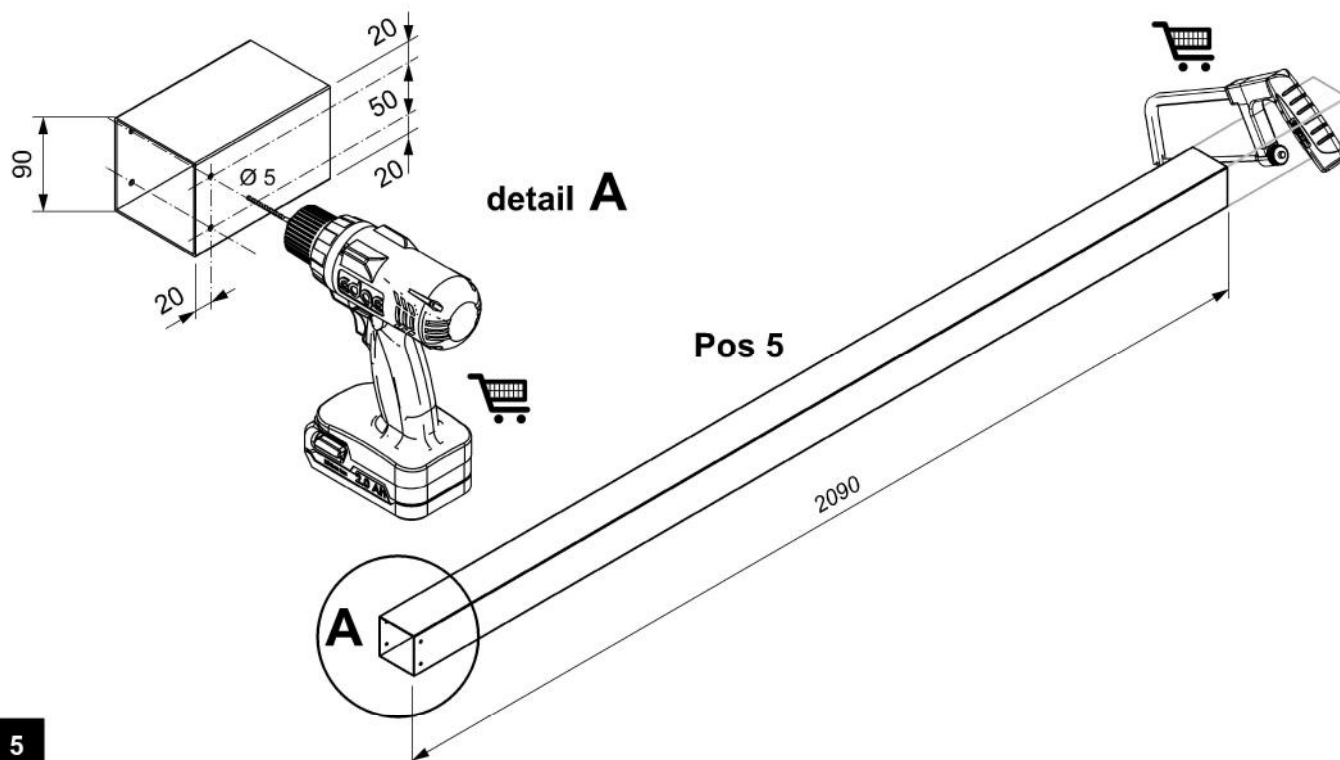


Wall fixings are NOT included, they must be purchased separately because each situation requires different fixings and depends on the substrate or construction to which it needs to be affixed. Always seek advice from a specialist building supplier about what is required in your particular situation and only use stainless steel fixings.

\* Bore diameter may differ from Ø 8.5 mm depending on fixings .

4

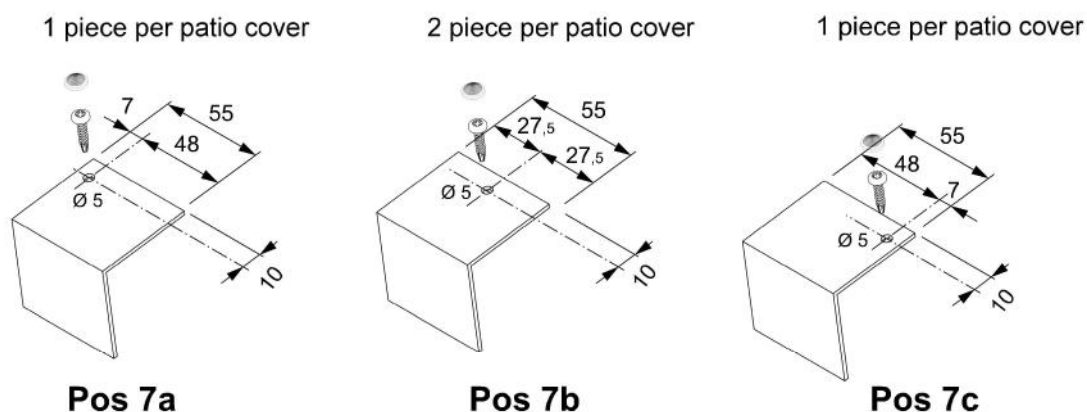
Drill the Wall profiles according to the above Details and Dimensions as shown in step 3



5

Drill the Post according to the above Detail and Dimensions and cut them to size if mounting on the floor!  
**When mounting the Posts in the ground, do not shorten posts !!**

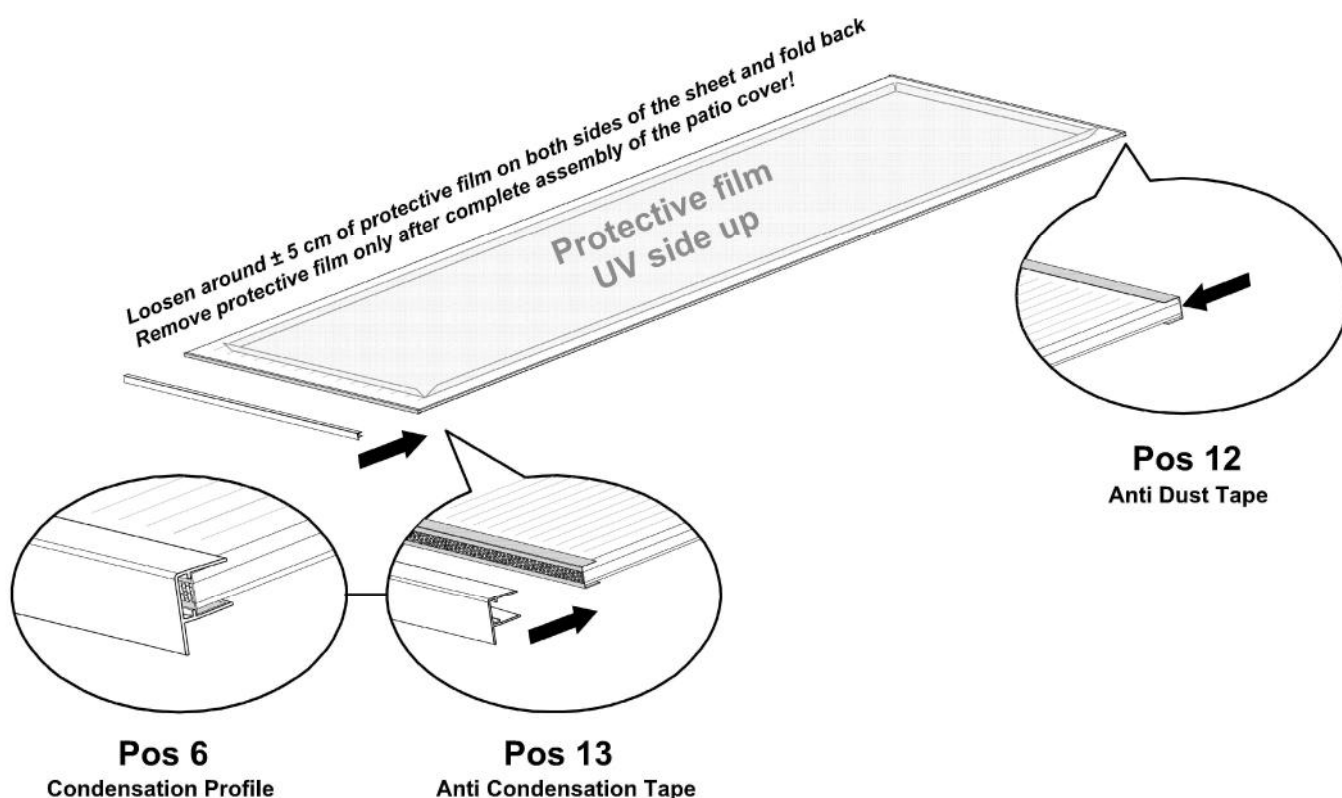




6

Drill the Angle Plates as shown in above Details

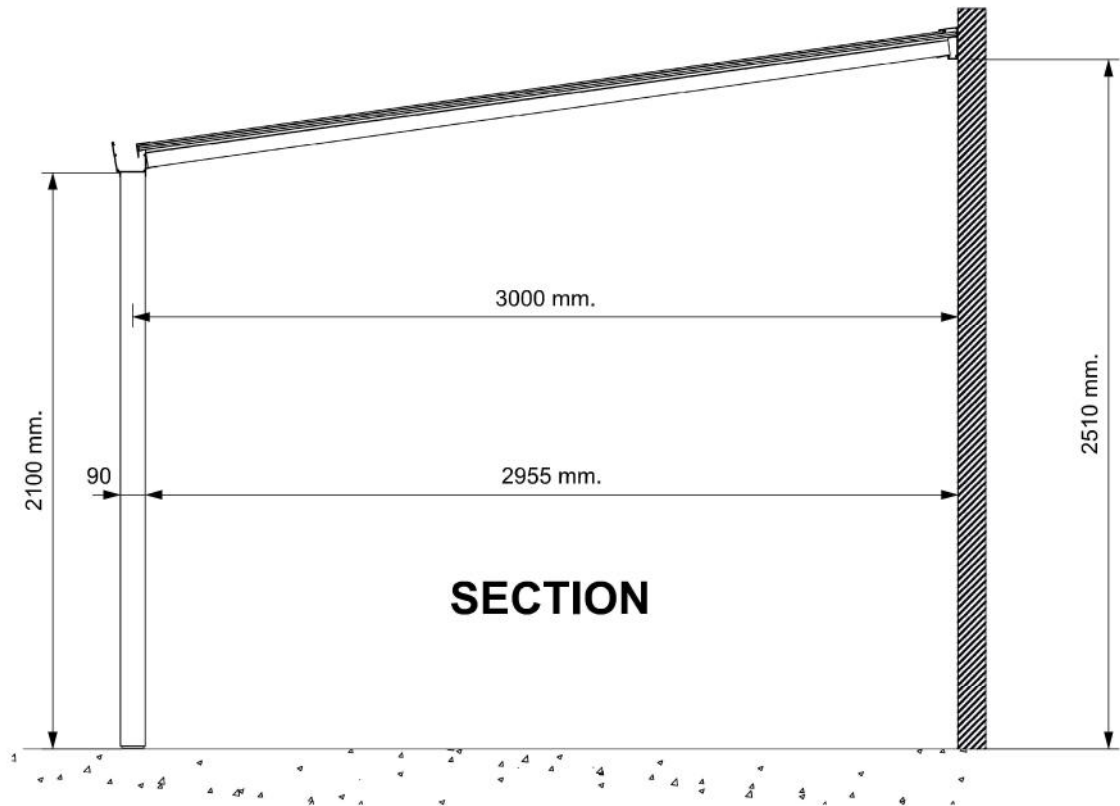
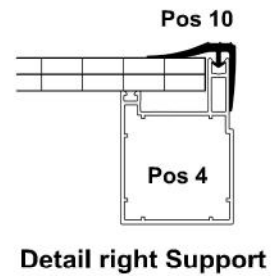
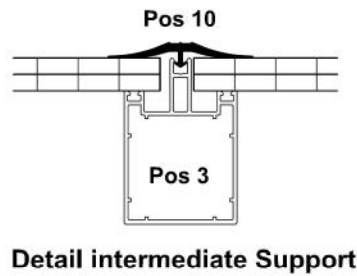
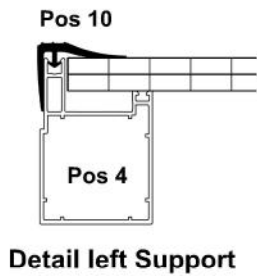
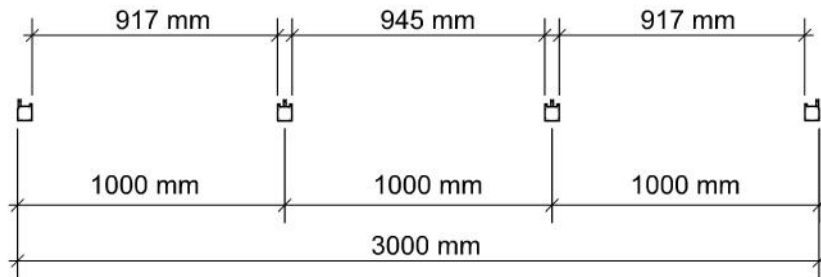
## Preparing Polycarbonate Roofing sheets

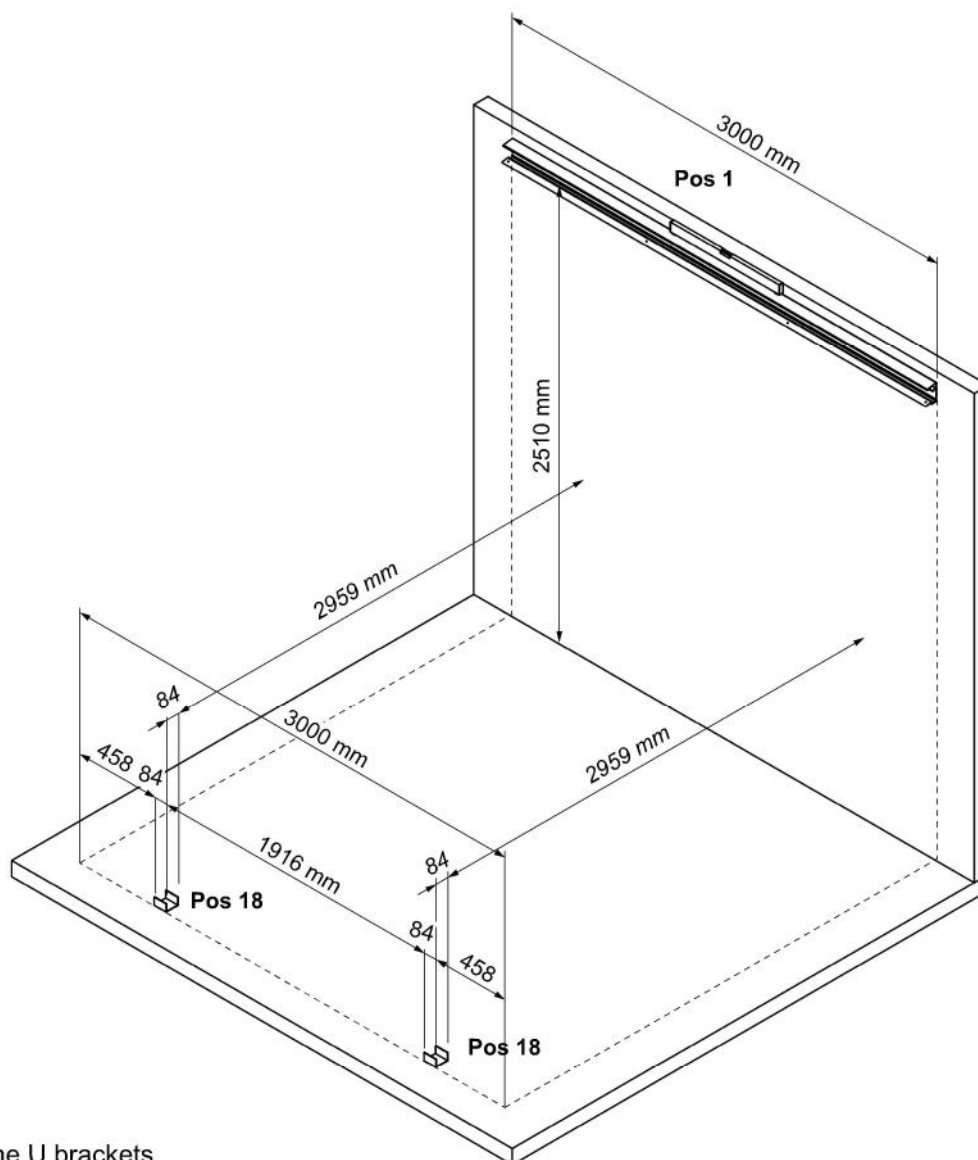


7

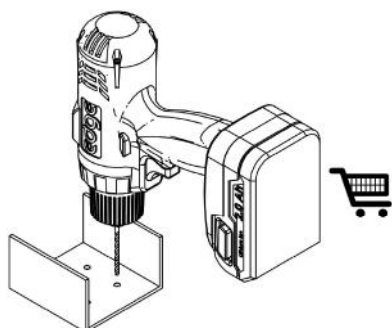
Stick Anti Dust Tape over the end of the Polycarbonate which is at the top of the patio cover!  
 Stick Anti Condensation Tape over the end of the Polycarbonate which is at the bottom of the patio cover!  
 Press the Condensation Profile over the Anti Condensation Tape!  
 Note that the protective UV film of the Polycarbonate sheets should be on the outside!  
**Do not remove the protective film until the complete patio cover is finished !!!**

### SETTING OUT SUPPORTS

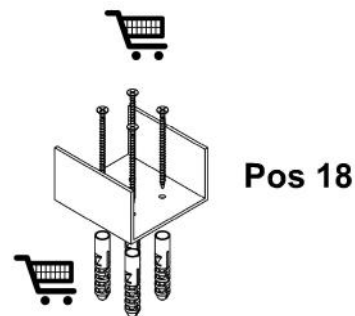




Drill holes in the U brackets  
Diameter dependent upon fixings



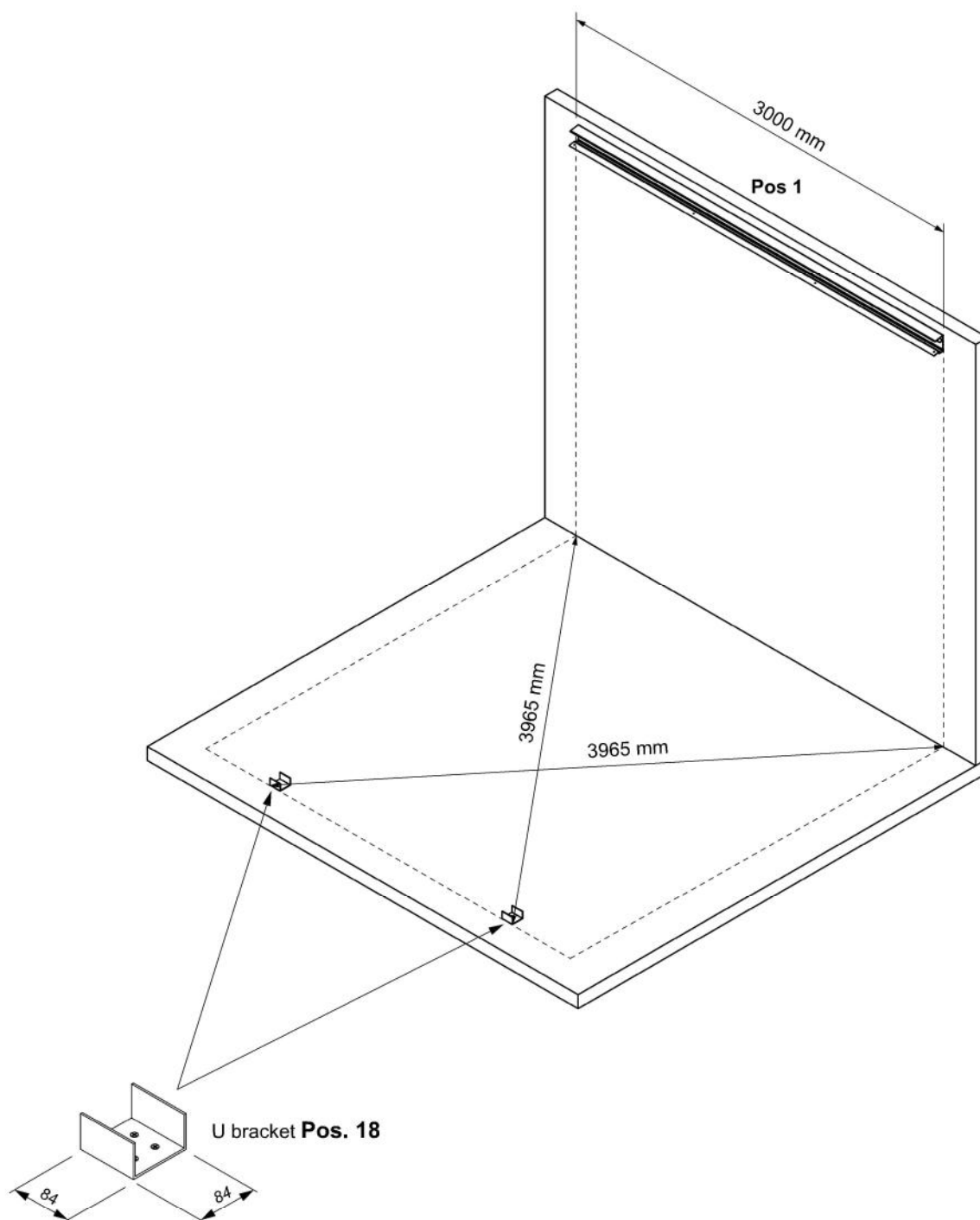
Pos 18



Pos 18

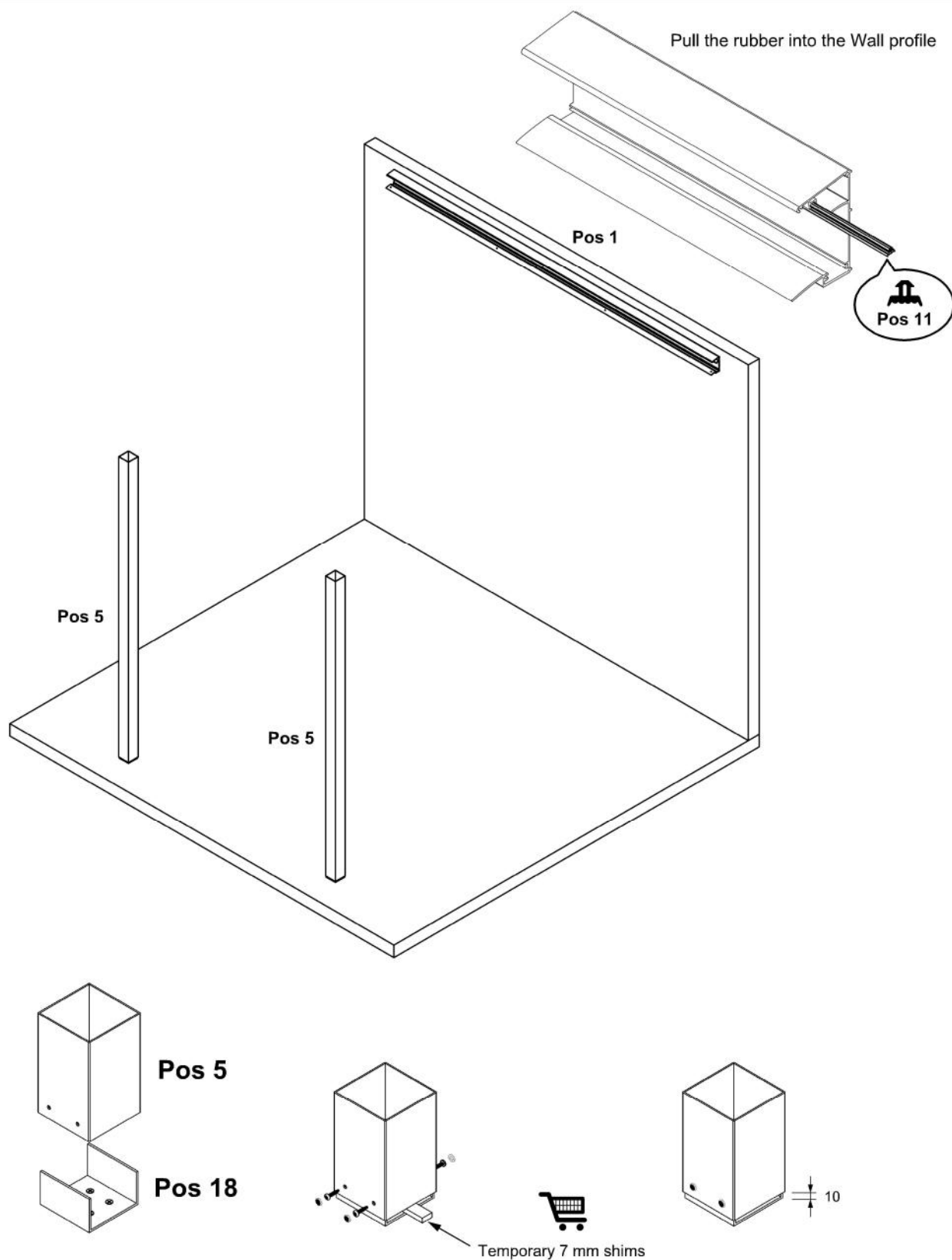
9

Attach the U-elements to the floor and the 1st part of the Wall profile according to the above dimensions!  
Floor and wall fixings are NOT included, they must be purchased separately because each situation requires different fixings and depends on the substrate or construction to which it needs to be affixed. Always seek advice from a specialist building supplier about what is required in your particular situation and only use stainless steel fixings!



10

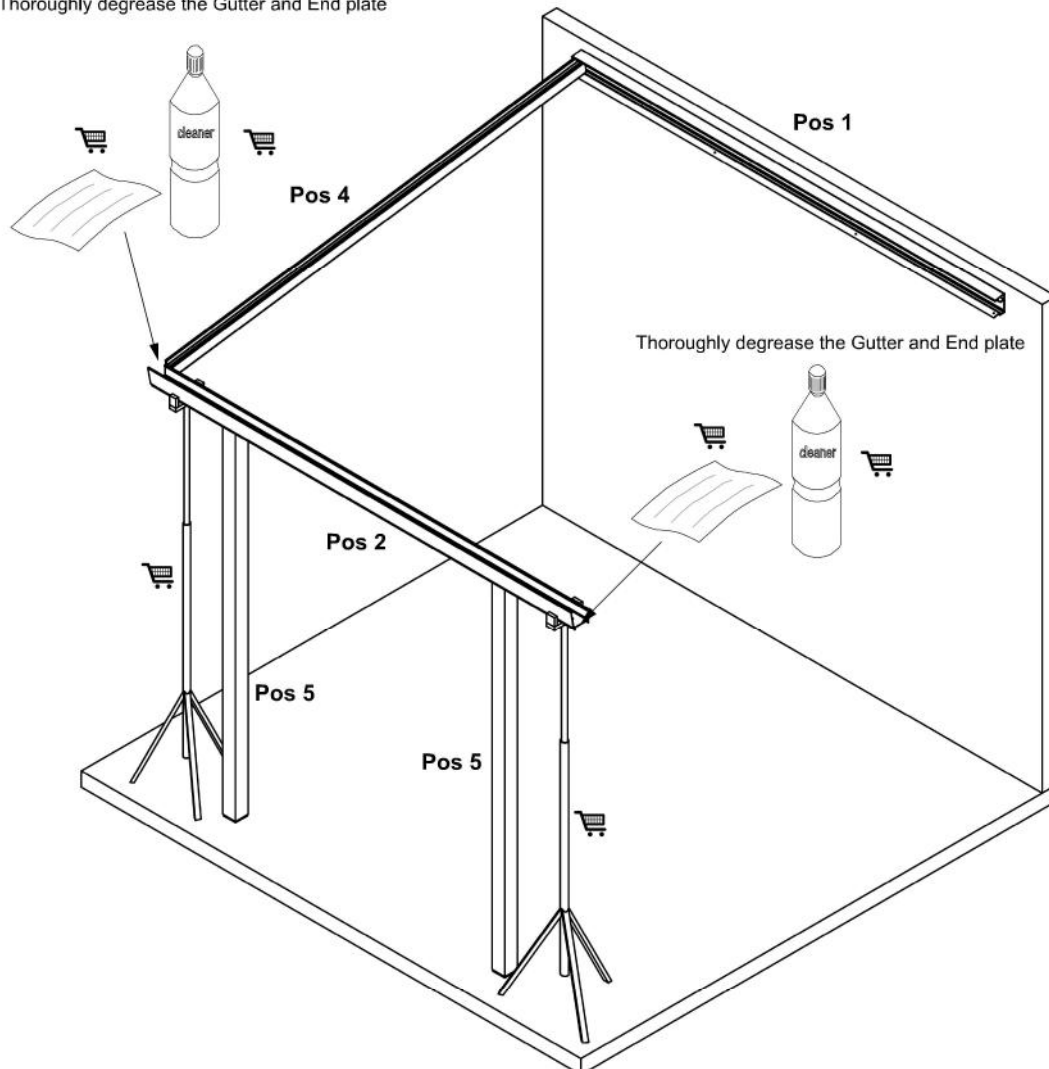
Mount the 2nd part of the Wall profile level on the wall!  
Check the squareness of the patio cover with the diagonal measurements!



**11**

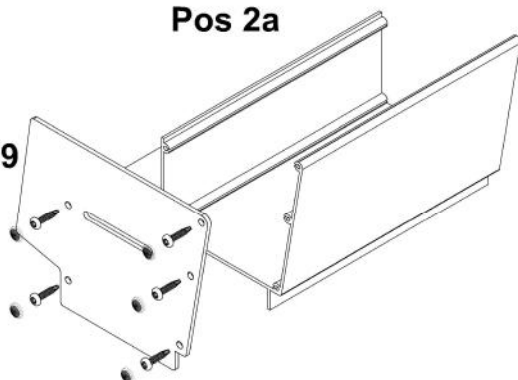
Slide the first 2 posts over the U brackets and keep them 10 mm from the floor due to drainage!  
 Use 7 mm shims to temporarily keep the posts up and screw the posts to the U brackets!  
 Pull the Rubber into the Wall profile!

Thoroughly degrease the Gutter and End plate



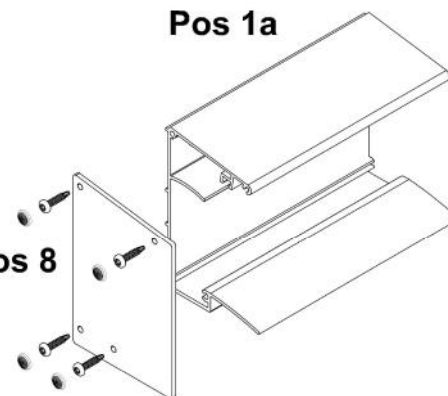
Pos 2a

Pos 9



Pos 1a

Pos 8



12

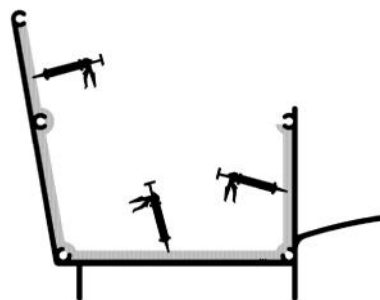
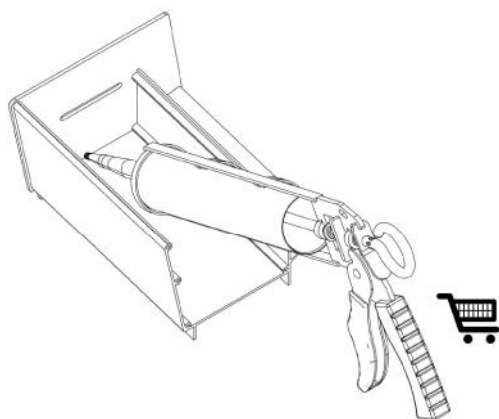
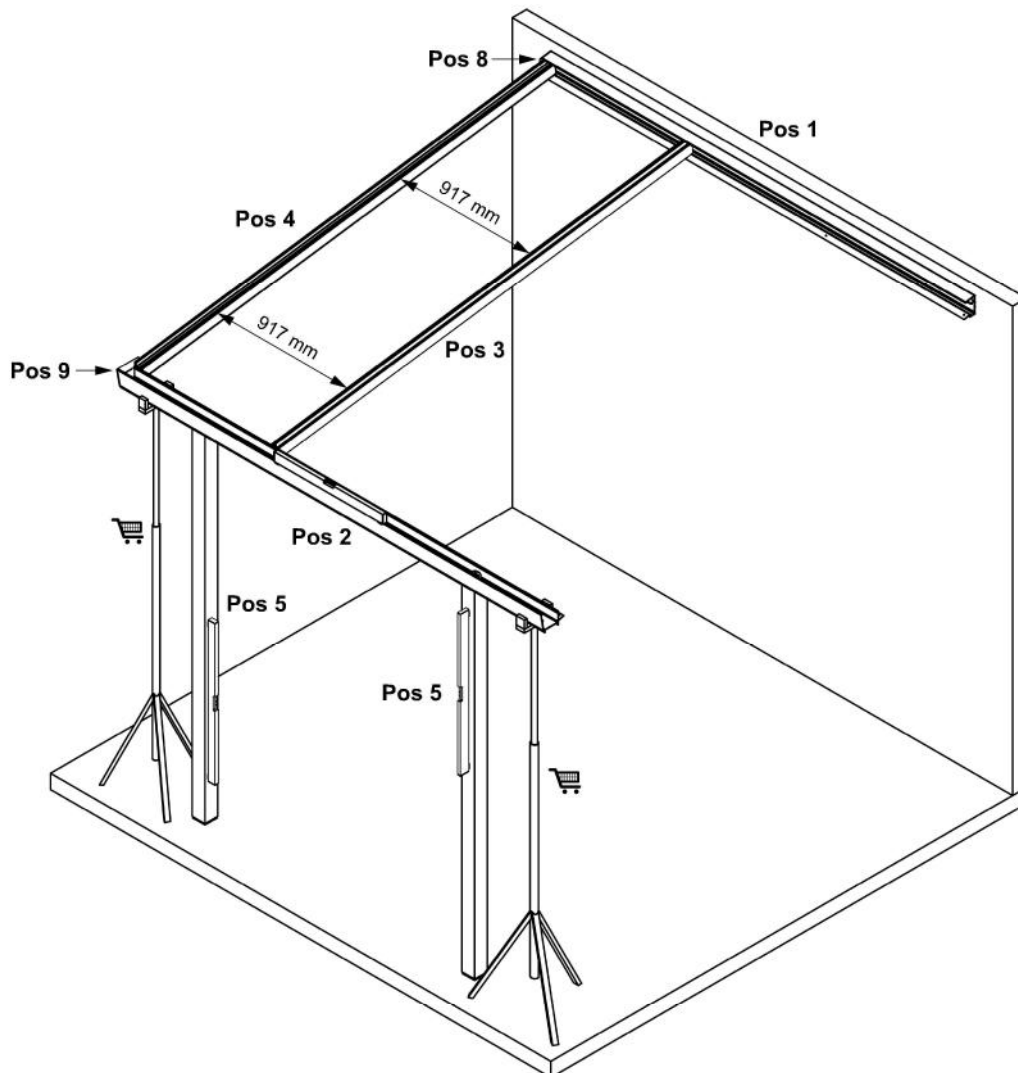
Assemble the first part of the Gutter and assemble the first Side support!

**Advice:** preferably use acrow props for temporary support!

Glue the Gutter connector into the first Gutter section, thoroughly degrease them both beforehand!

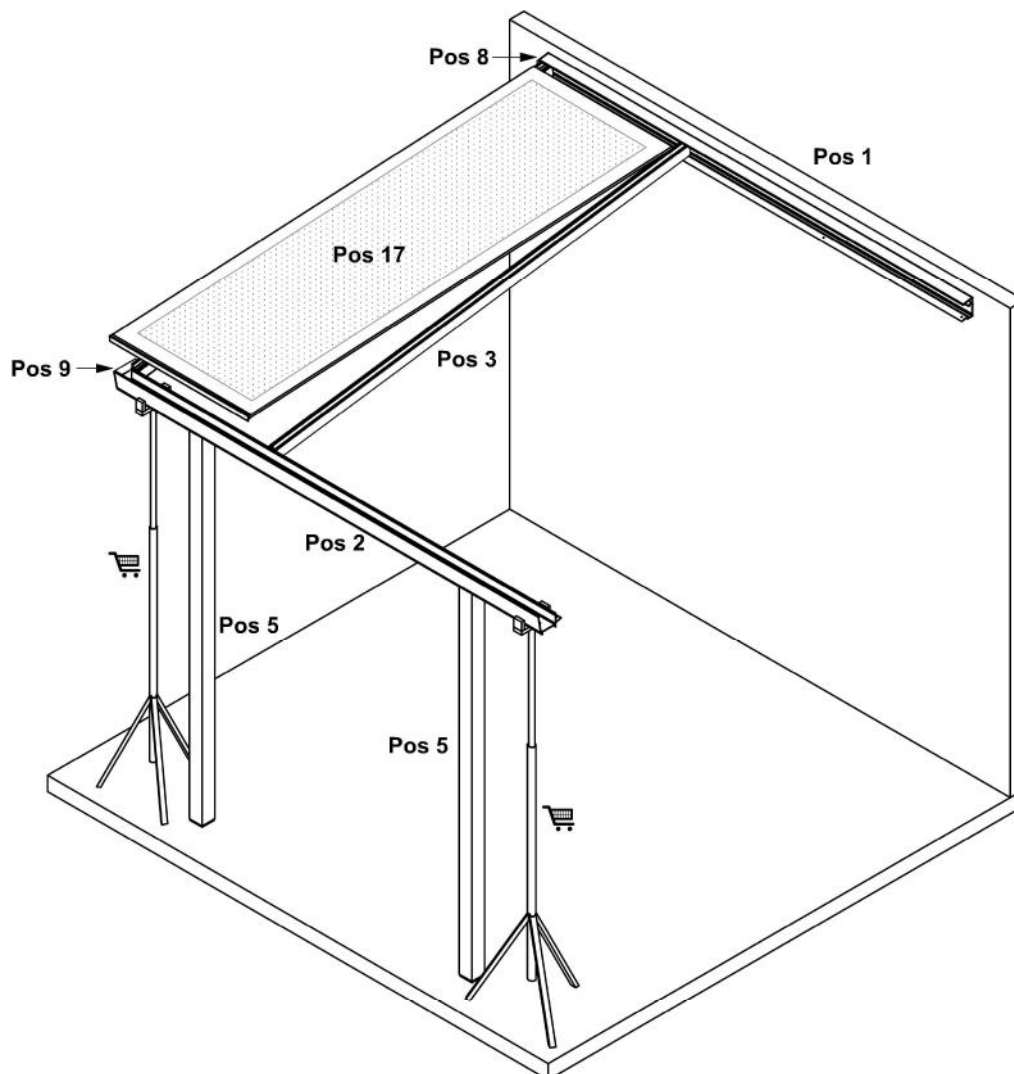
Mount the End plates to the left end of the Gutter and the Wall profiles!

## EN - Assembly Instructions: assembly of first intermediate Support and sealing the Gutter End plate

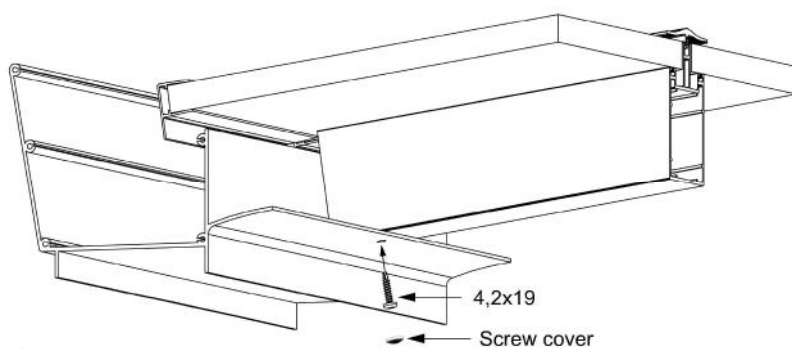


**13**

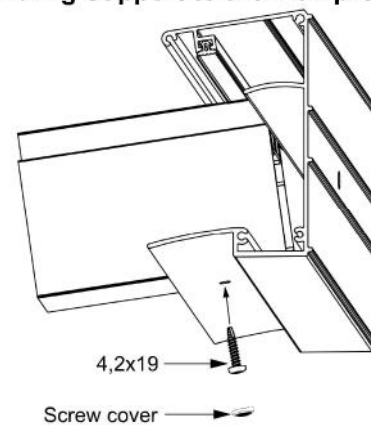
Assemble the first intermediate support (cut to size), check again to ensure everything is still straight, square and level!  
Thoroughly seal the Gutter and End plate connection to ensure it is watertight!



Detail assembling Support to the Gutter



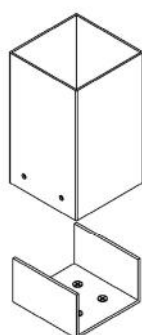
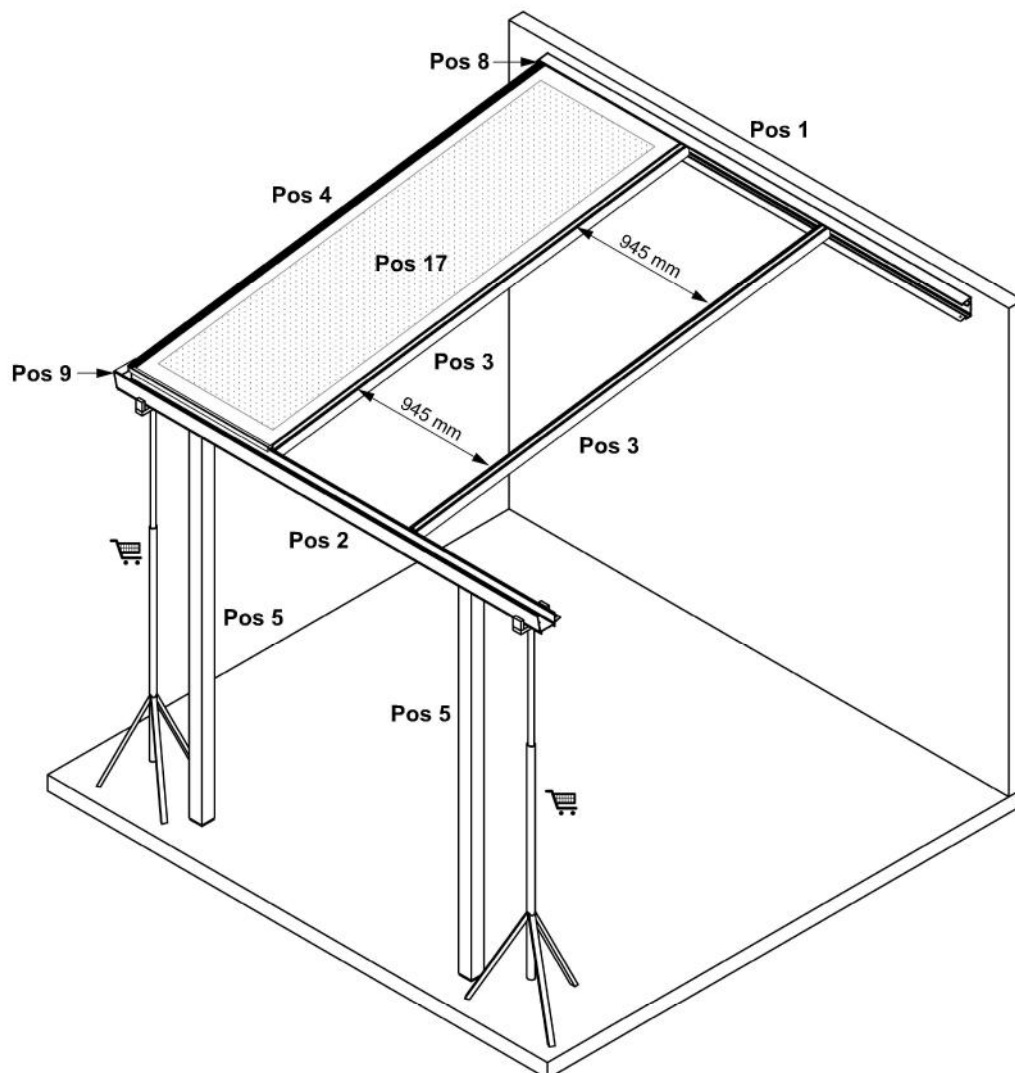
Detail assembling Support to the Wall profile



14

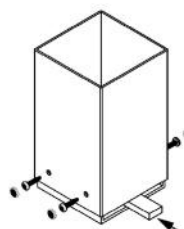
**Advice:** Place the first Polycarbonate sheet in the first section, this sheet ensures that the roof surface stays square!



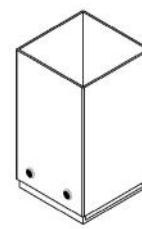


Pos 5

Pos 18



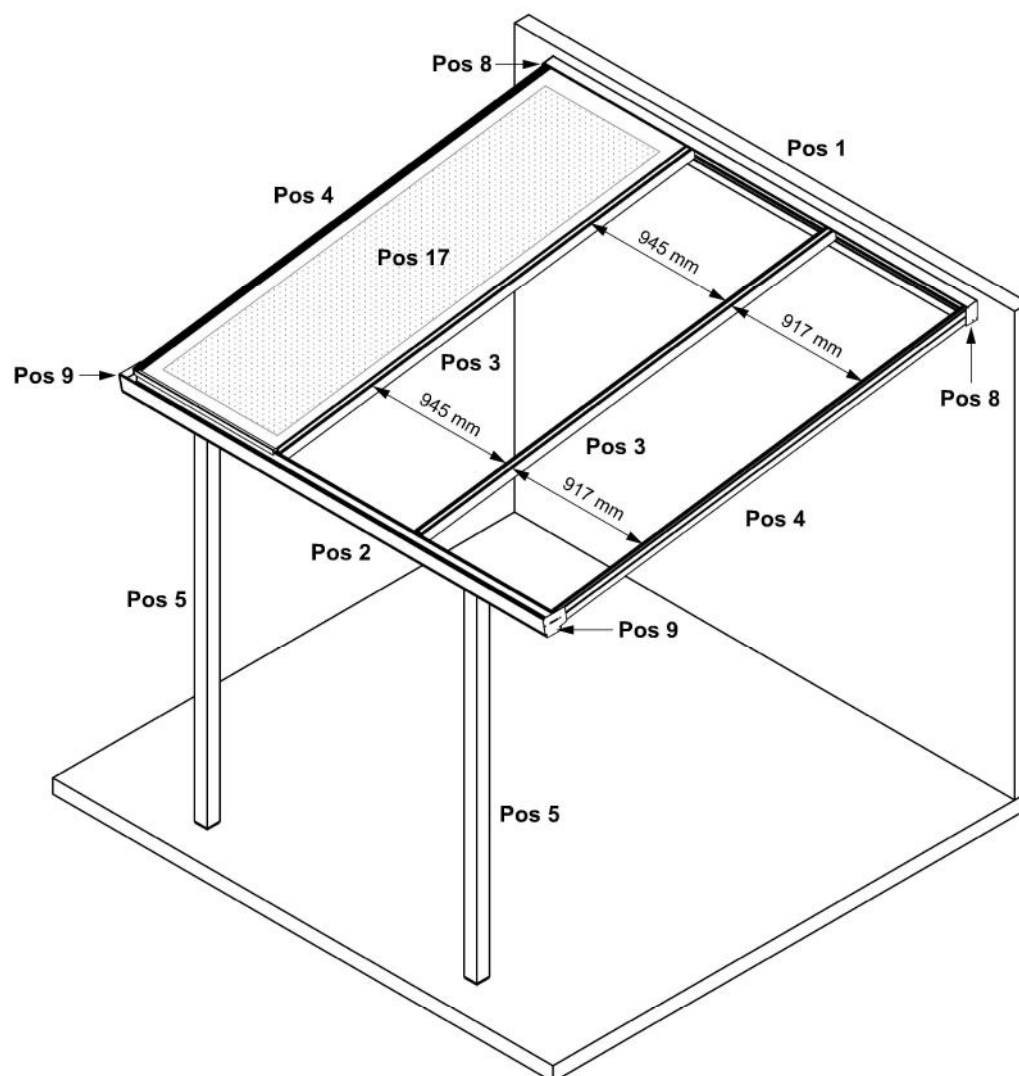
Temporary 7 mm shim



10

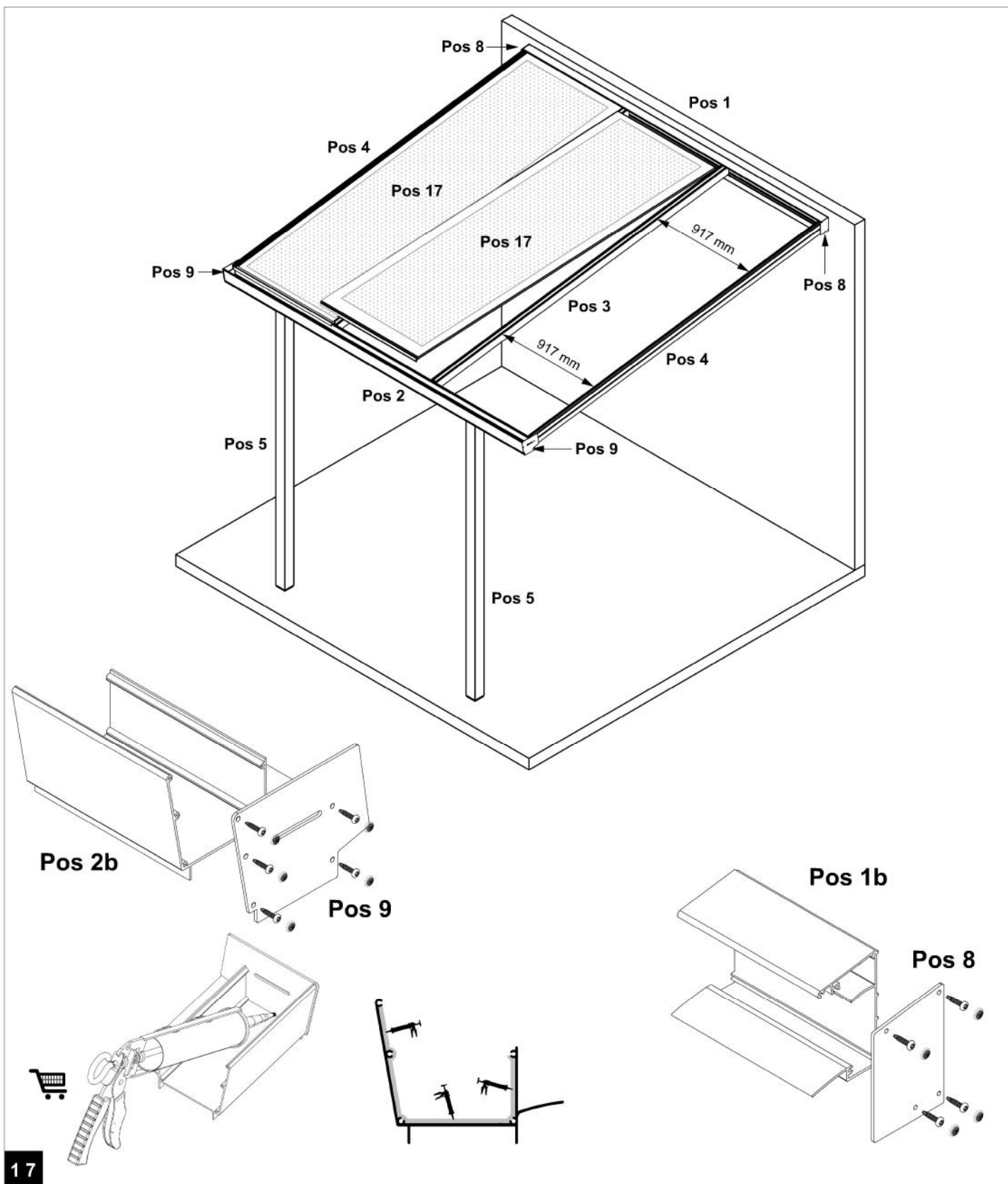
15

Fix the 2nd intermediate support (cut to size)!  
 Slide the 3rd post over the U bracket and keep it 10 mm from the floor due to drainage!  
 Use 7 mm shims to temporarily keep the posts up and screw the posts to the U bracket!  
 Slide the 2nd part of the Gutter over the Gutter connector until it is tight against the 1st part of the Gutter and install it!



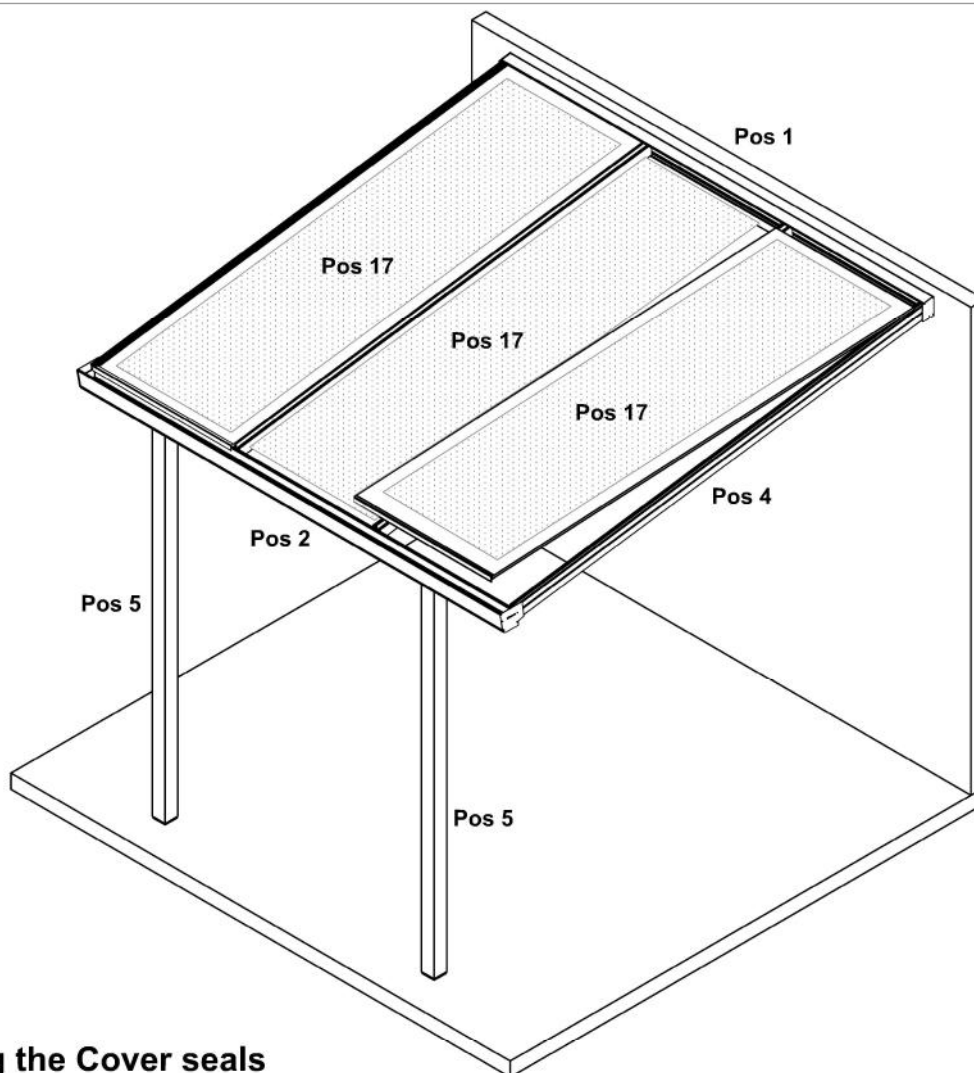
16

Attach the right Support !  
Seal the Gutter connector as shown in Details above!

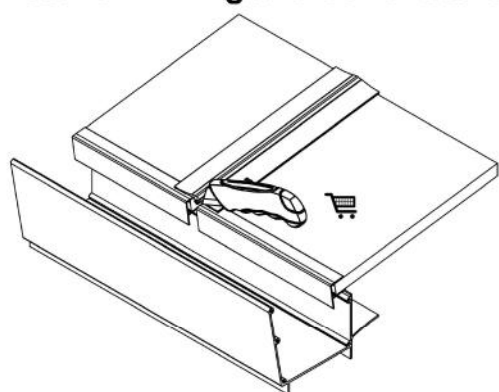


**17**

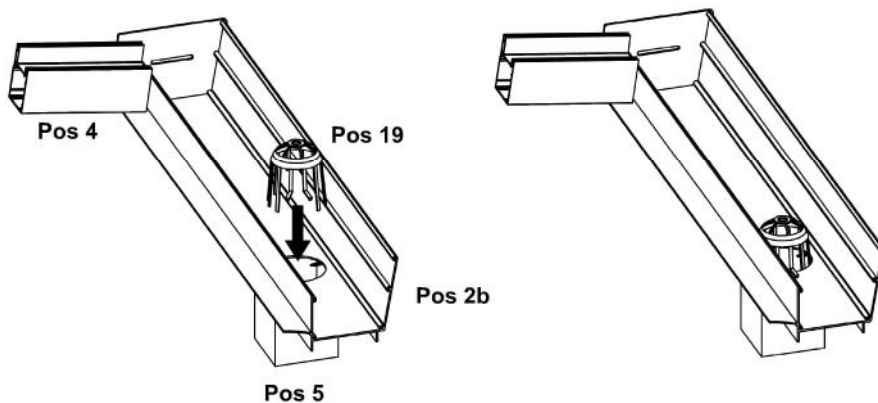
Assemble the remaining intermediate Supports according to the setting out shown above!  
Mount the End plates to the right end of the Gutter and the Wall profiles!



### Detail trimming the Cover seals



### Detail installing the Leaf trap



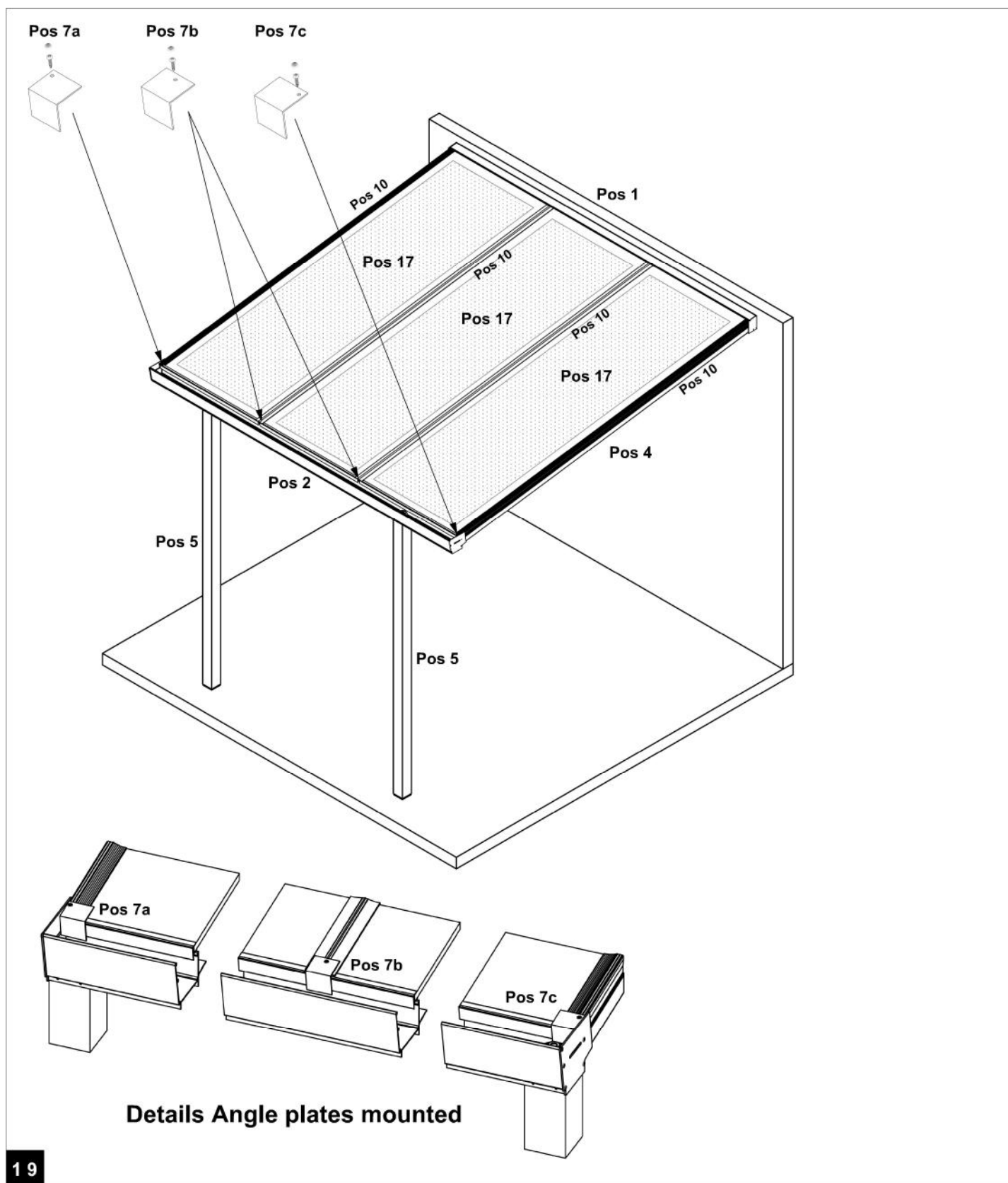
18

Install the Leaf trap!

Install the remaining Polycarbonate roofing sheets and fit the rubber cover seals !

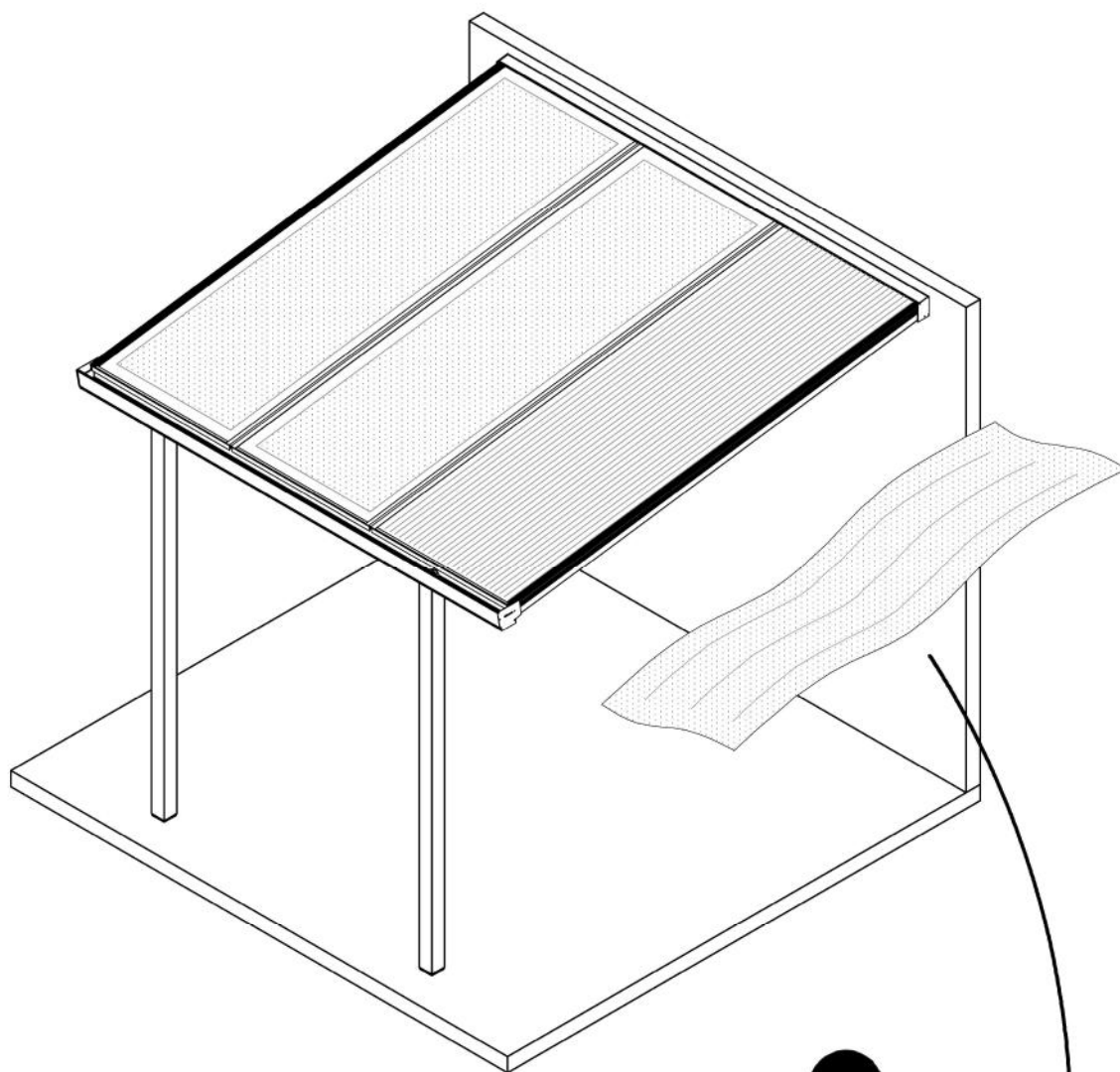
**Note: Leave the cover seals a little too long and push them `butting` into the roof rails so that they are mounted as relaxed as possible to prevent shrinkage due to solar heat!**

Then cut the Cover seals at the bottom of the Gutter to size!



19

Fix the Angle plates with 4.2x32 screws!  
Place the supplied screw covers on all screws !



Think about your safety, do not walk on the Polycarbonate roofing sheets !!

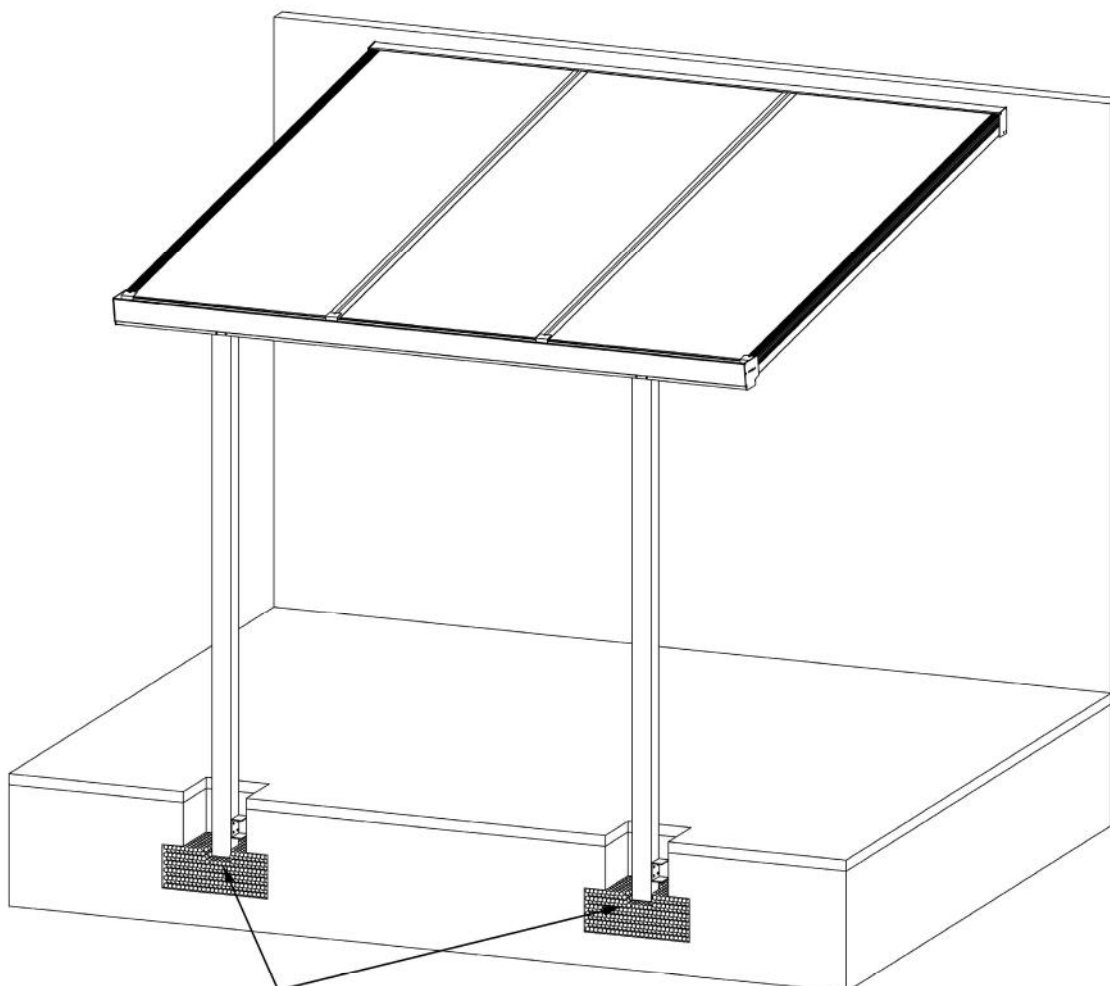
Your patio cover is now ready for use.

We wish you much pleasure and enjoyment from your purchase !



**Remove the protective film from the Polycarbonate sheets and dispose of separately and responsibly!**  
 Recycling materials helps to conserve natural resources, so separate your waste as much as possible and don't place it in household waste!

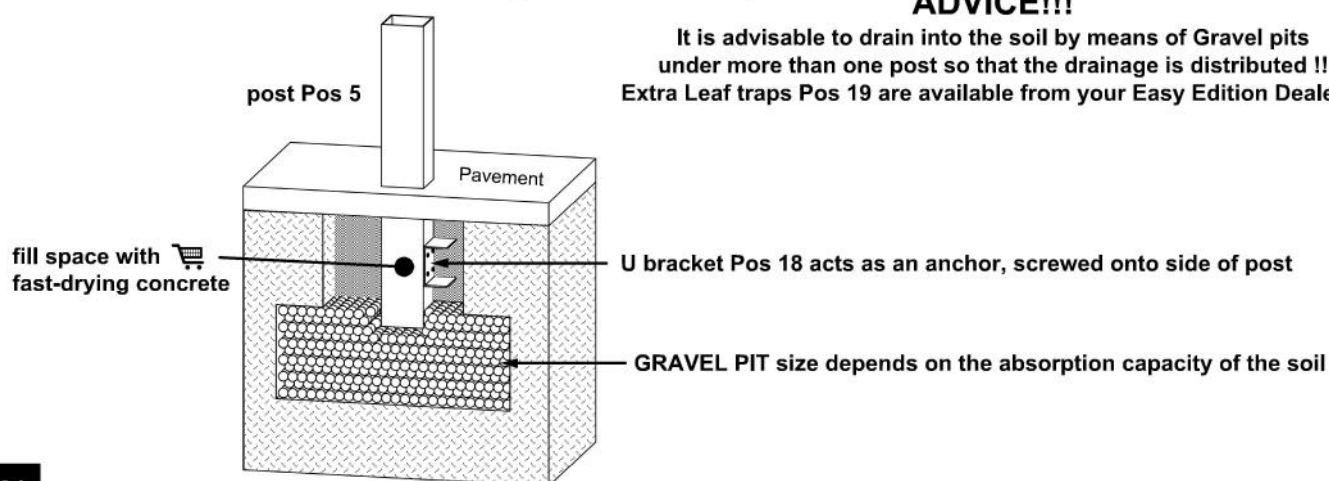
**ALTERNATIVE GROUND FIXING and WATER DRAINAGE**  
by means of U brackets Pos. 18, which is included as standard



**Detail Foundation and Drainage with Gravel pit**

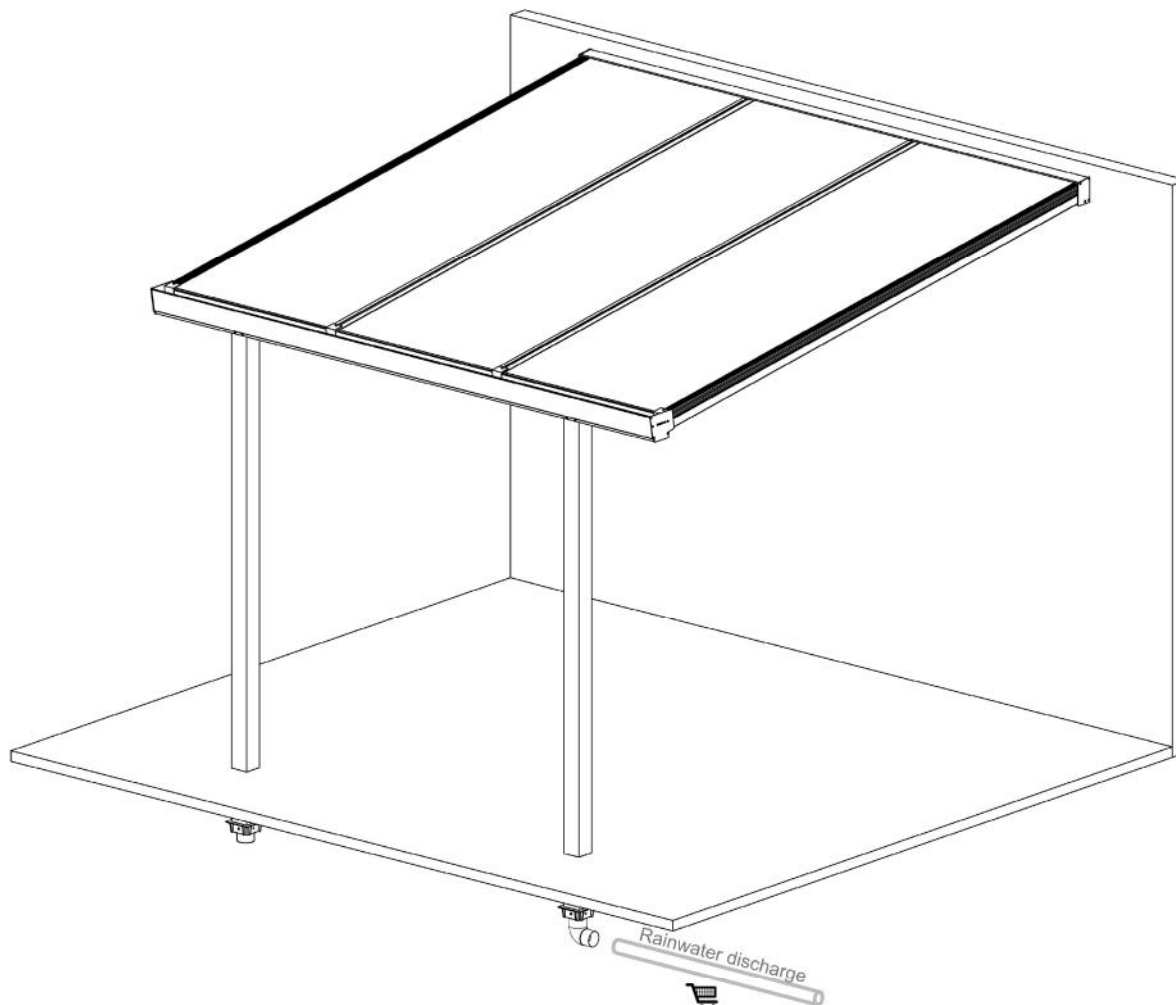
**ADVICE!!!**

It is advisable to drain into the soil by means of Gravel pits under more than one post so that the drainage is distributed !!  
Extra Leaf traps Pos 19 are available from your Easy Edition Dealer !!



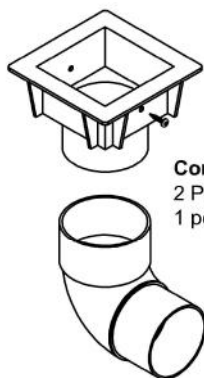
## ALTERNATIVE GROUND FIXING and WATER DRAINAGE

by means of Plastic Ground Anchors, **OPTIONALLY AVAILABLE** from your Easy Edition Dealer !!!



### Plastic Ground anchors with Rainwater discharge connection

As an Additional Option available from your Easy Edition Dealer !!



**Contents per set !!**  
 2 Plastic Ground anchors  
 1 pc 90° bend for connection to Ø 80 mm drainage pipe

### Composite Detail !!

