

DANCOVER[®]



Manual
for
Patio Cover 3x3,12m

DANCOVER[®]



Safety Advice

Attention

In some countries approval is needed to set up a marquee/tent larger than 75 m². It is your responsibility to comply with local rules and regulations and to ensure that the marquee/tent is assembled correctly.

In case of bad weather conditions, it is your responsibility to ensure the marquee/tent is safely secured and that the marquee/tent does not cause damage to others.

Do not use open fire, welding equipment or other sources which can ignite, inside or close to the tent.

The marquee/tent must be safely secured. We recommend you secure your marquee/tent with straps and pegs as soon as it is assembled.

Make sure to check if the marquee/tent is covered by your home contents insurance.

Marquees/tents must be evacuated under extreme weather conditions.

In the event of snow, always remove snow from the roof of the marquee/tent regularly to prevent snow from building on the roof, as heavy snow can cause the marquee/tent to collapse.

In the event of rain, there is a risk of rain puddles building up on top of the roof of the marquee/tent. Heavy rain puddles can cause the roof to collapse. It is your responsibility to ensure rain puddles do not build up. As a precaution, make sure the roof of the marquee/tent is stretched out properly and adequately over the side frames of the marquee/tent and remove rain water regularly.

Do not unpack or repack your marquee/tent in freezing temperatures. In case of temperatures below zero, always unpack and repack your marquee/tent indoors to avoid the risk of cracking parts.

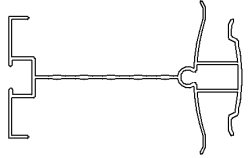
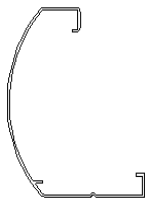
The marquee/tent must be totally dry before you repack and store it to avoid mildew.

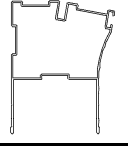
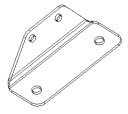

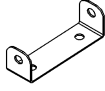


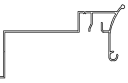
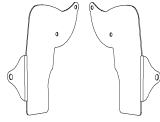

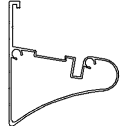



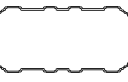


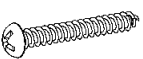
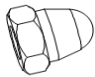
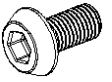


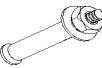



Note: Marquees are intended for events and other arrangements and are as such only meant for short term temporary assembly and the following disassembly. Dancover warranty applies only to the normal use of the Product, normal wear and tear excepted, in accordance with written use instructions or manual. The warranty does not apply to damage caused by accident, abuse, misuse, or modification of the Product.

Warranty Information

Please visit dancovershop.com for information on warranty.

Please always check our website for the latest safety advice and manual.

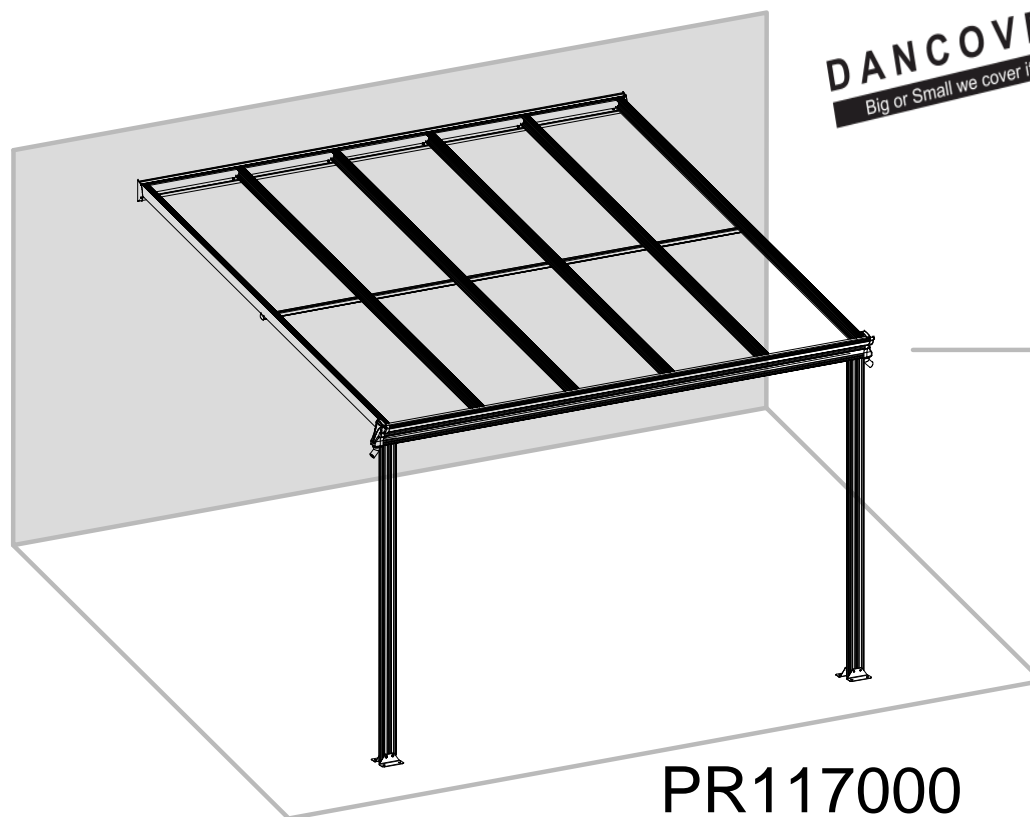
BW5 A (B-A)		
PART	NO.	QTY.
	1	6
	2	2
	P1	5

BW5 B (B-B)					
PART	NO.	QTY.	PART	NO.	QTY.
	7	1		B1	4
	3	1		B2	2
	11	1		B4	2
	4	1		B5L	1
	9	1		B5R	1
	10	1		B7	2
	8	1		S8	8
	12	2		S9	2
	5	2			
	6	4			
	F1	14		F4	6
	F2	18		F5	8
	F3	10		F6	8
	F4	56		F8	6
	F4	26			

Patio Cover

Instruction Manual

size:312Lx300Wx192/258Hcm



IMPORTANT

You must read these instructions carefully before you start to assemble. Please ensure that you find all parts in the carton box in the correct type and quantity as mentioned in the list illustrated in every page accordingly.

Please carry out the steps in the order set out in these instructions.

Do not tighten the steps until completing on the assembly of the poly carbon ate panels.

Keep these instructions in a safe place for future reference.

SAFETY ADVICE

We strongly recommend the use of work gloves during assembly.
Do not attempt to assemble the Wall shed in windy or wet conditions,
Do not touch overhead power cables with the aluminum profiles.
Always wear shoes and safety goggles when working with extruded aluminum.
Dispose of all plastic bags safely-keep them out of reach of small children.
The Wall shed must be positioned and fixed on a flat level surface.
Do not lean against or push the Wall shed during construction.
Keep children away from the assemble area.
Do not position your Wall shed in an area exposed to excessive wind.
Do not attempt to assemble this Wall shed if you are tired ,have taken drugs or alcohol or if you are prone to dizzy spells.
If using a step ladder or power tools ensure that you follow the manufactures safety advice.
Hot items such as recently used grills, blowtorches etc.must not be stores in the Wall shed.
Ensure there are no hidden pipes or cables in the ground before inserting the pegs.

GENERAL ADVICE

This is a multi-part assembly, Allow at least 200 minutes for assembly.
Selecting a site-choose a sunny level position away from overhanging trees.
If you are fixing your Wall shed directly to a solid concrete foundation use the pre drilled holes in the metal base supplied.
The component parts should be checked and laid out close at hand.
Keep all small parts(screws etc)in a bowl so they do not get lost.
Note that the door is hinged on the right hand side and therefore opens to the right.
Keep roof clear of snow and leaves.

CARE & MAINTENANCE

When your Wall shed needs cleaning, use a mild detergent solution and risen with cold clean water.
Do NOT use acetone, abrasive cleaners or other special detergents to clean the clear panels.

TOOLS & EQUIPMENT REQUIRED

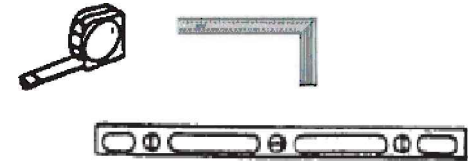
Protective Equipment:

- 1.Helmet
- 2.Glove
- 3.Long Sleeve Cotton Overalls
- 4.Emergency Medicine Cabinet
- 5.Eye Shield



Measure (metric):

- 1.The Tape (5 m)
- 2.Angle Square
- 3.Level Meter



Installation Tool:

- 1.Triangle Stairs≈1.5m Height
- 2.Spanner 10mm (Ratchet Wrench is better)
- 3.Spanner 14mm (Install the expansion screw)
- 4.Hexagon wrench 5mm
- 5.Electric screwdriver+5mm Hexagon wrench (suggest)
- 6.Wooden Mallet
- 7.Marking Pen
- 8.Silicon
- 9.Percussion bit(8mm and 10mm)
- 10.Knife
- 11.Phillips screwdriver

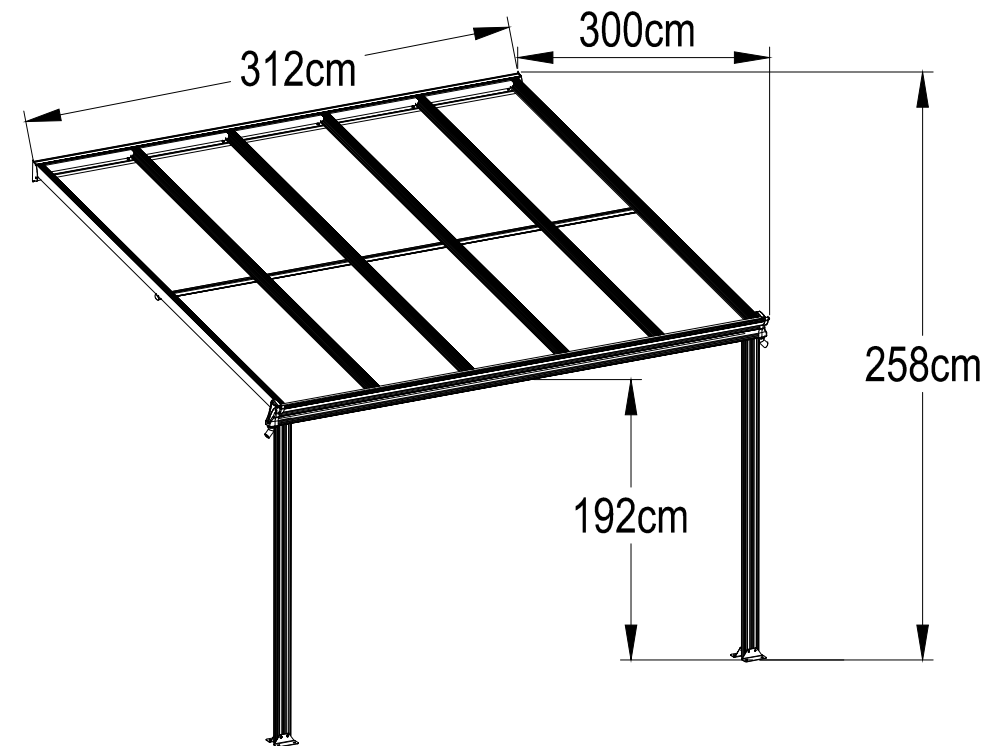


PRODUCT SIZE

Make sure a good installation location

OTHER CAUTIONS

1. 3 people required, one is for measuring & taking marks to ensure the installation dimension ,the second person is responsible for the installation and the last one do as assistant and assure the safety.
2. Firstly, make sure the wall is strong enough for installation. A brick concrete structures is the best choice.
3. High-power electric tools are required, ensure the normal work of them and highly pay attention to electric safety.
4. Be careful when using the kind of blunt tools, like hammer.
5. Wearing long sleeve cotton overalls,gloves and helmet during installation and wear safety glasses when using power tools .
- 6.No up watching when working height, or the drop screws may hurt your eyes and suffocation causing accidentally when fall into your mouth.
7. No climbing, No standing on the tent to avoid falling down.
8. If injuries immediately, using the first-aid kit to stop bleeding, bind up, In case of emergency, taken immediately to a nearby medical institutions.



PARTS LIST

SKELETON		
NO.	Qty.	
1	6	2968mm
2	2	2968mm
3	1	3091mm
4	1	3121mm
5	2	80mm
6	4	120mm
7	1	3121mm
8	1	3121mm
9	1	3121mm
10	1	3121mm
11	1	3091mm
12	2	1950mm

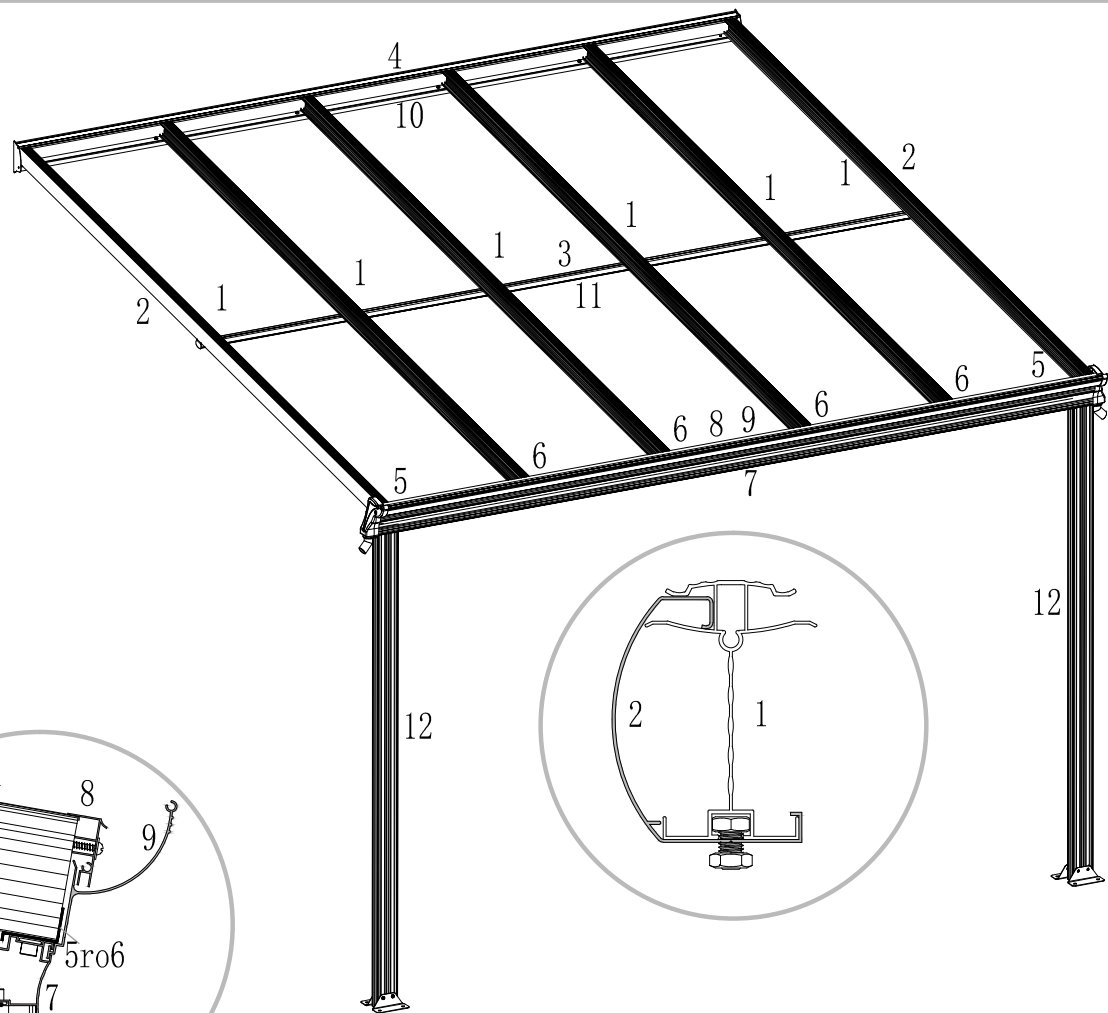
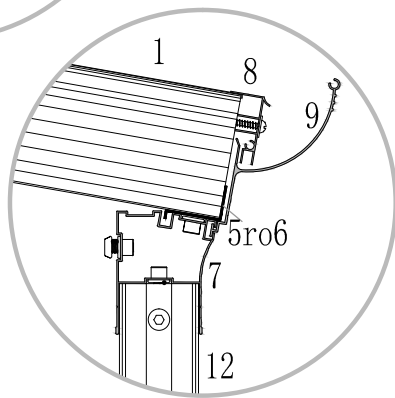
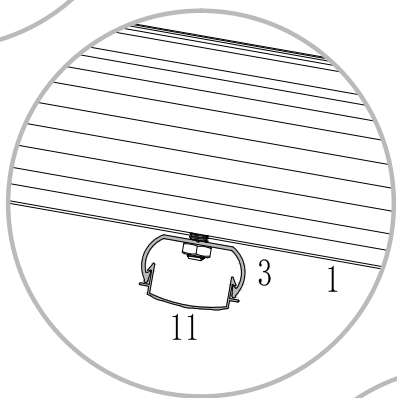
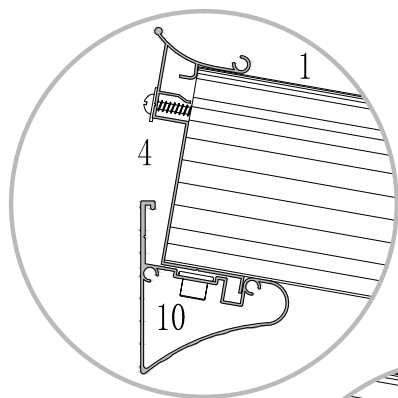
NO.	Qty.	CONNECT
B1	4	
B2	2	
B4	2	
B5L	1	
B5R	1	
B7	2	

NO.	Qty.	SCREW
F1	16	5-40mm
F2	14	6-12mm
F3	4	5-13mm
F4	46	6-10mm
F4-1	18	6mm
F4-2	4	6mm
F5	6	4-35mm
F6	8	6-60mm
F8	6	6-10mm

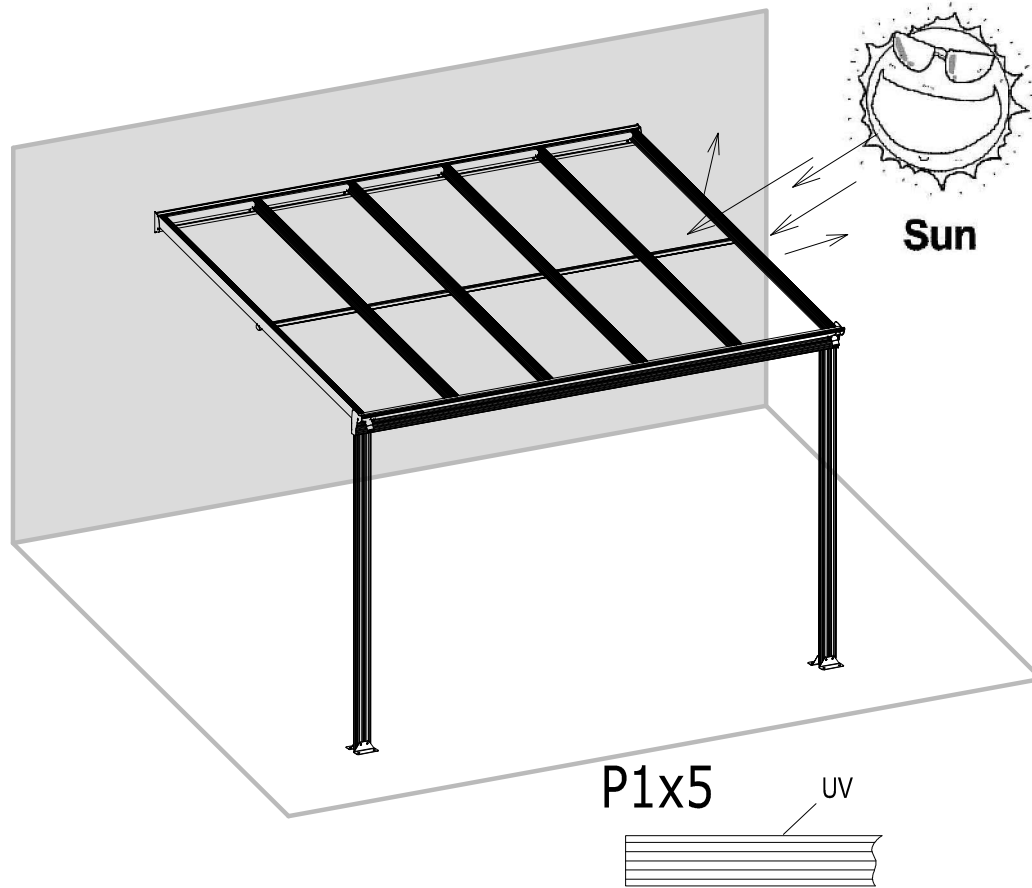
- S8 x8
- S9 x2
- S7 x2

P1 x5

Install schematic diagram of Alu.frames



SUMMARY STATEMENT FOR POLYCARBONATE PANEL



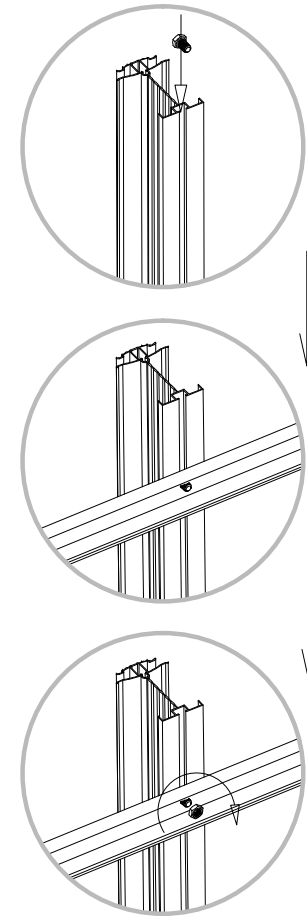
Towards the white film side to the sun as it is UV-protected.

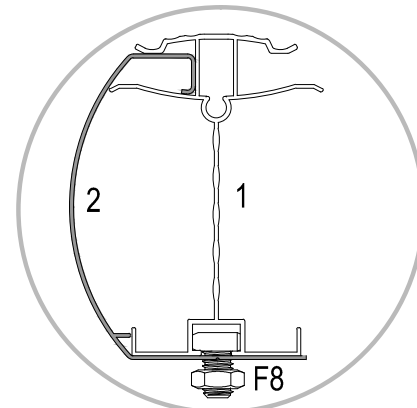
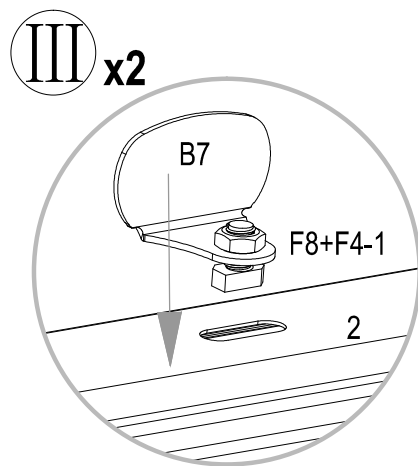
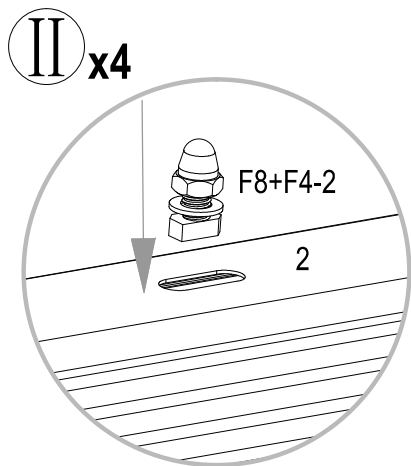
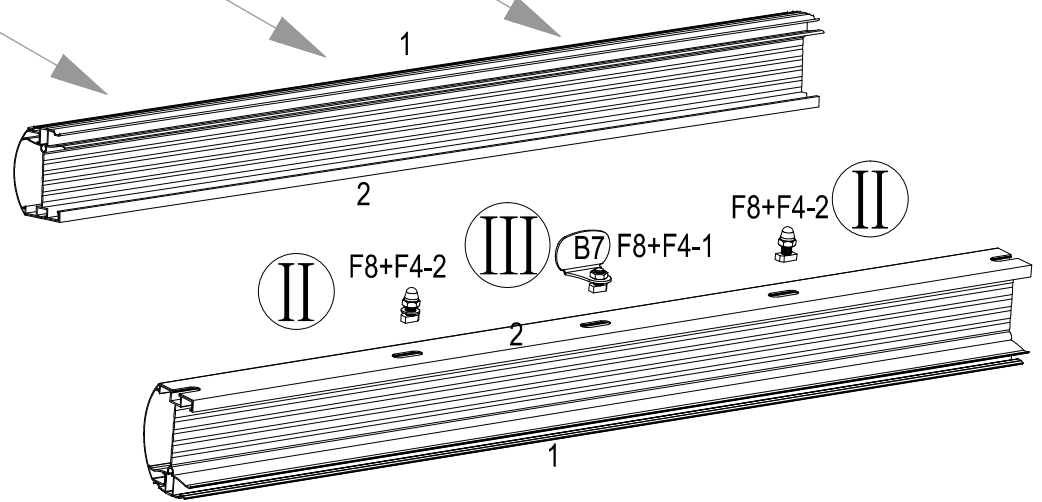
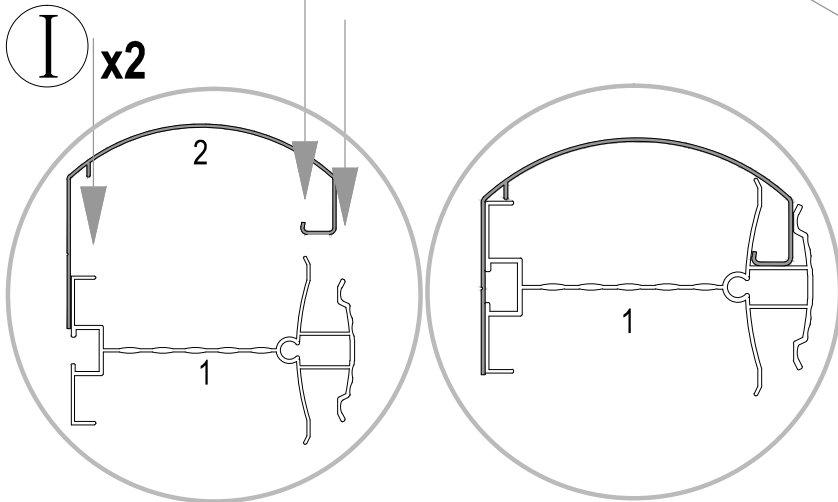
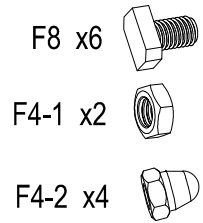
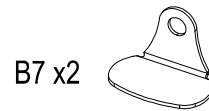
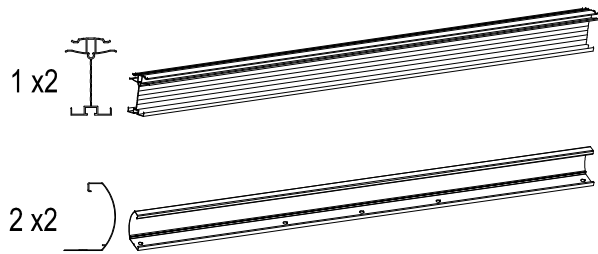
"hexagonal screw" installation

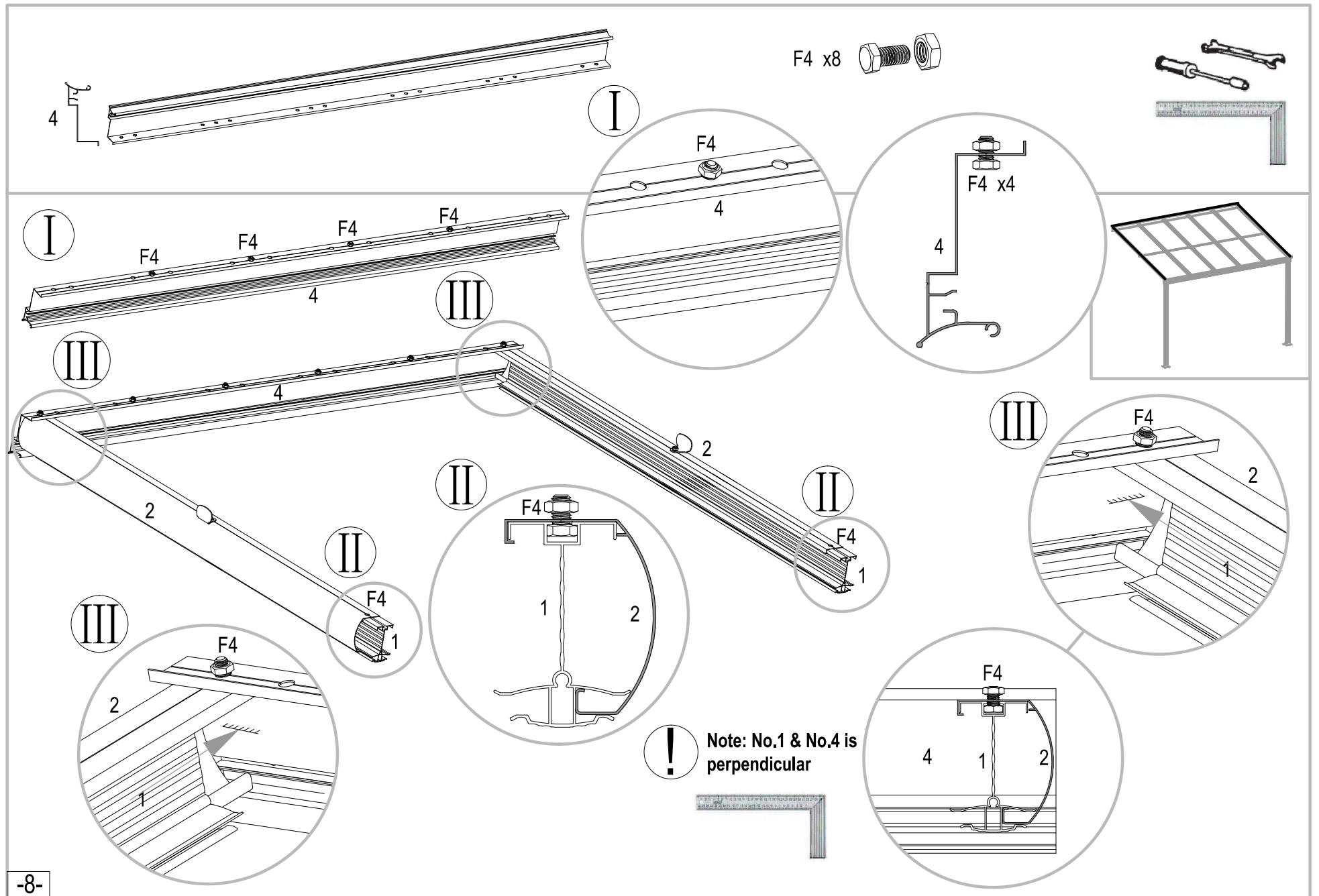
Place the "hexagonal screw" into the groove, turn clockwise until it stops turning.

Adjust the "hexagonal screw" by hand and twist so threads fix it in place.

Place other parts on "hexagonal screw" and assemble nut .

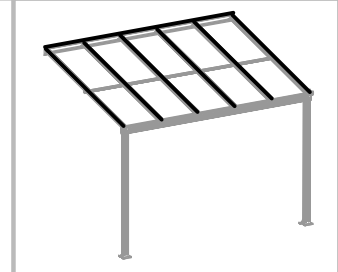
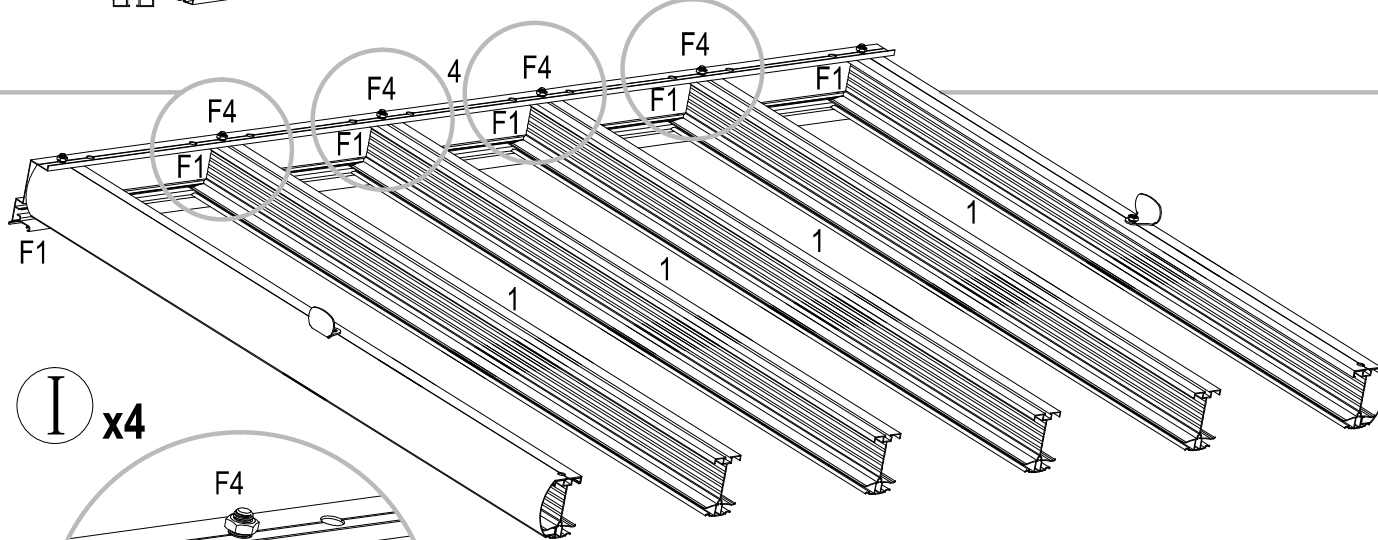
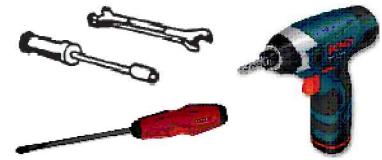
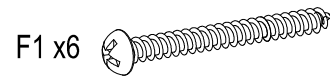
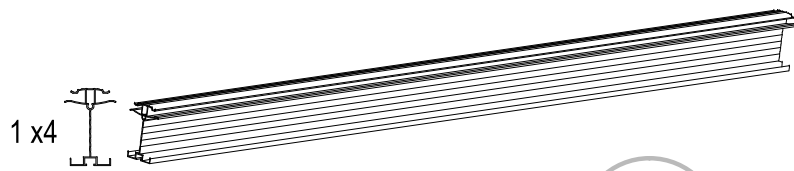




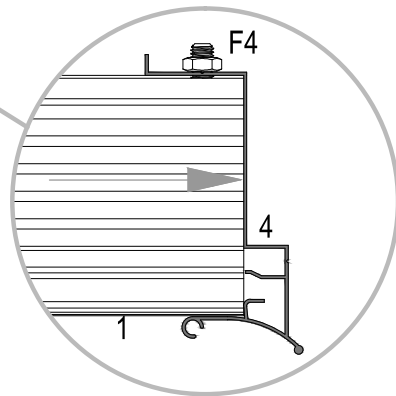
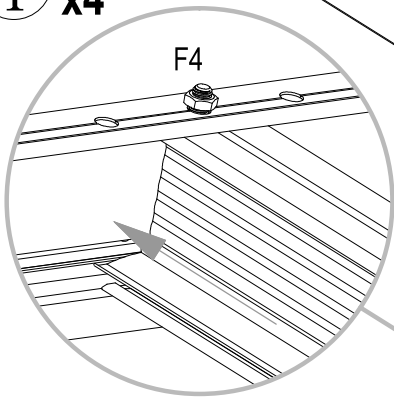


Note: No.1 & No.4 is perpendicular

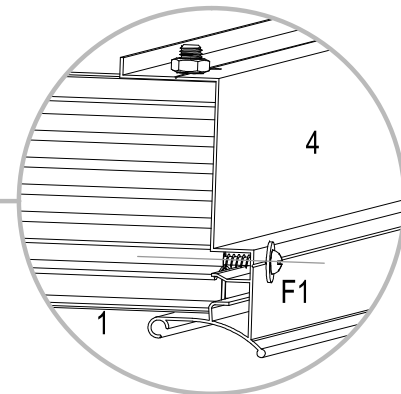
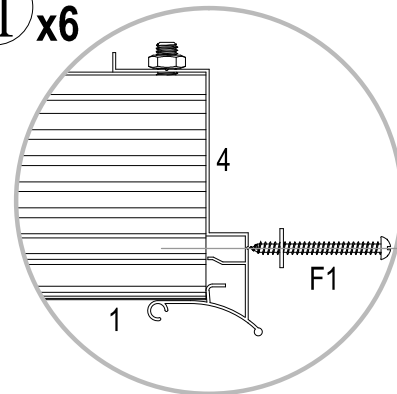




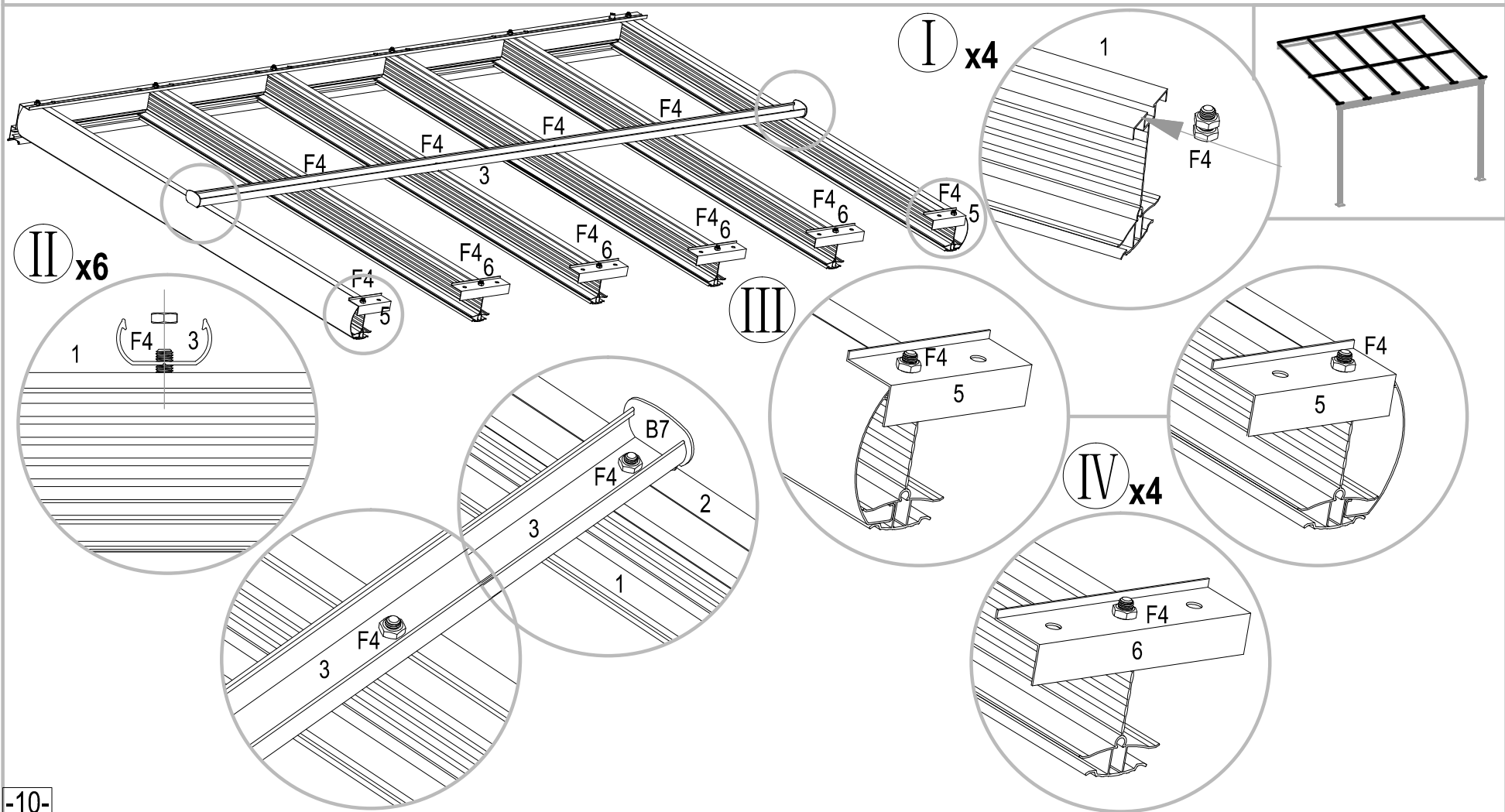
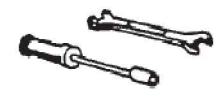
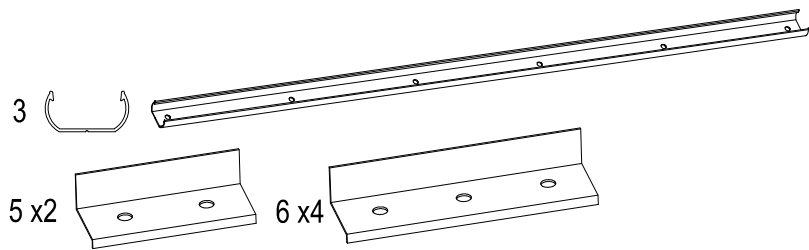
I x 4

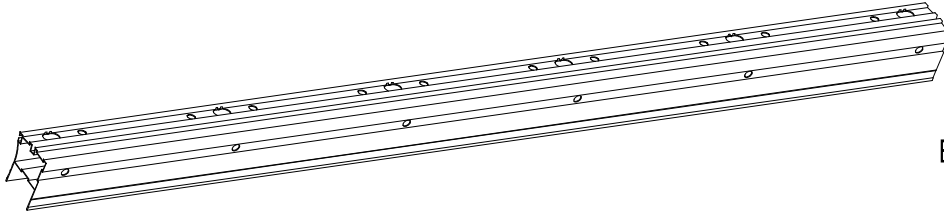
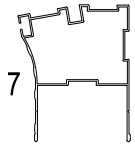


II x 6

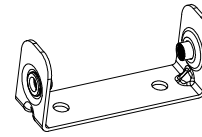


F1 will be easy to install by using lubricants

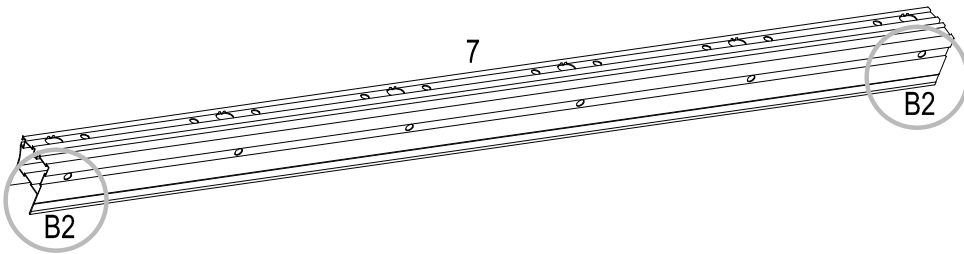




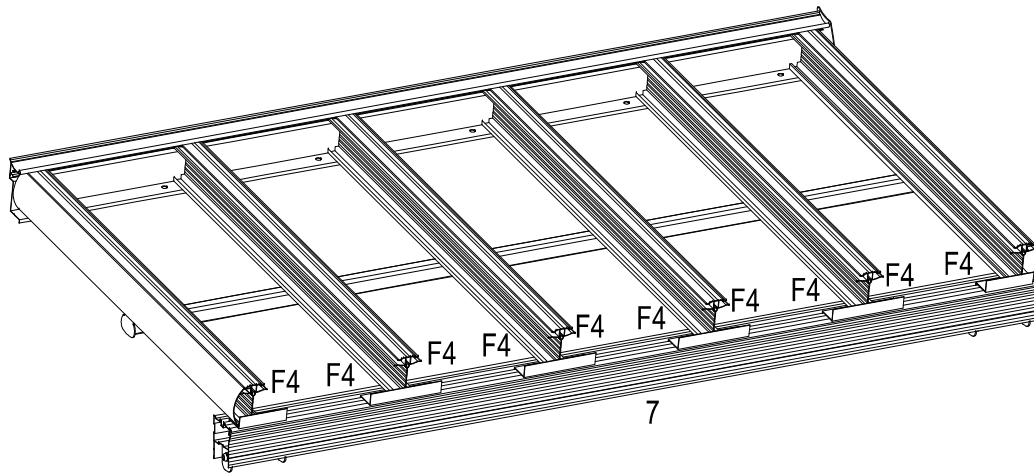
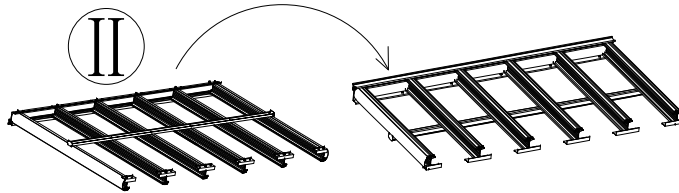
B2 x2



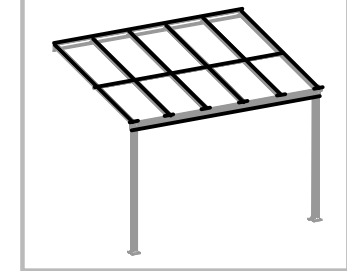
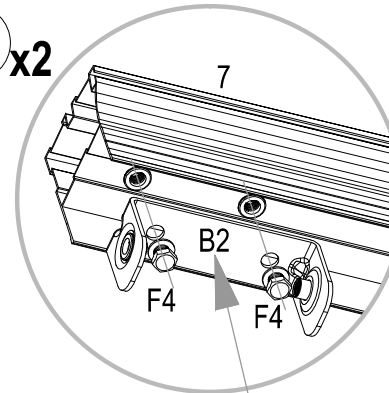
F4 x14



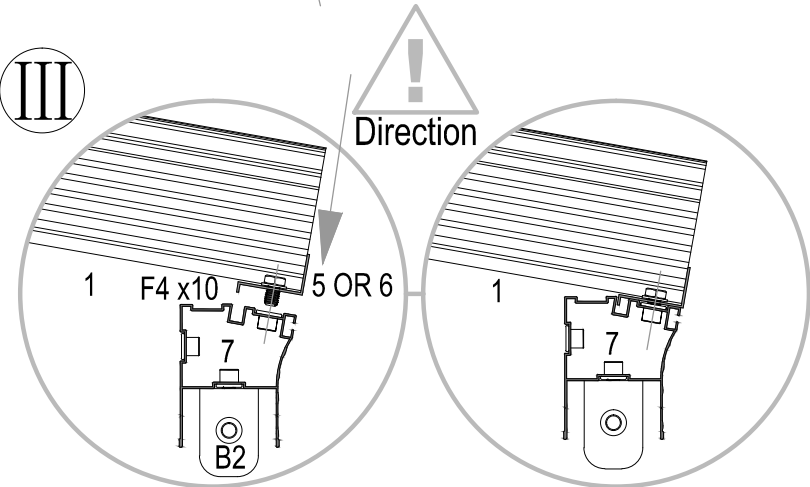
II



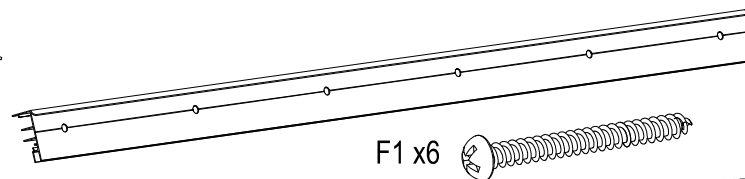
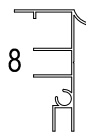
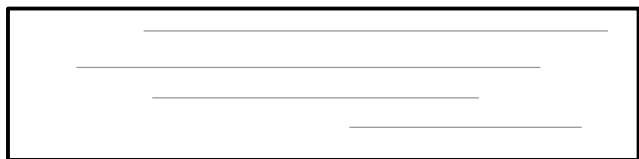
I x2



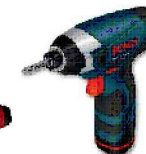
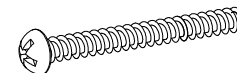
III



P1 x5

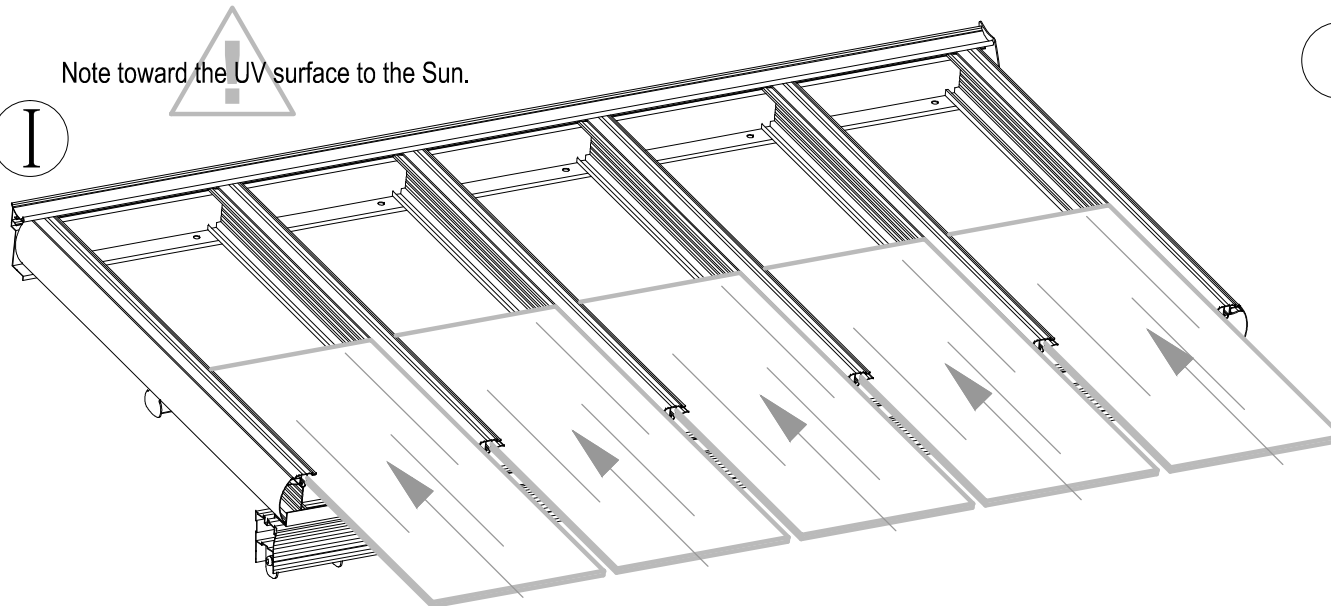


F1 x6

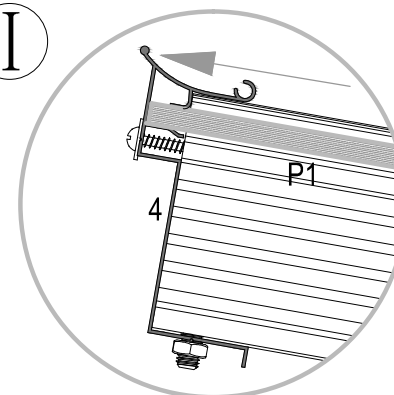


Note toward the UV surface to the Sun.

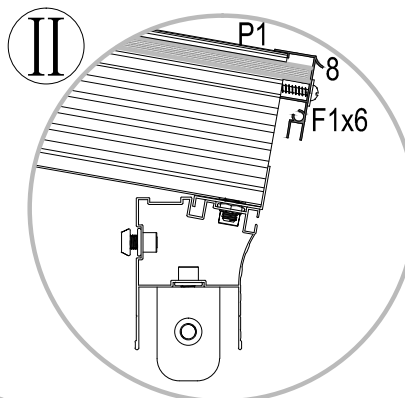
I



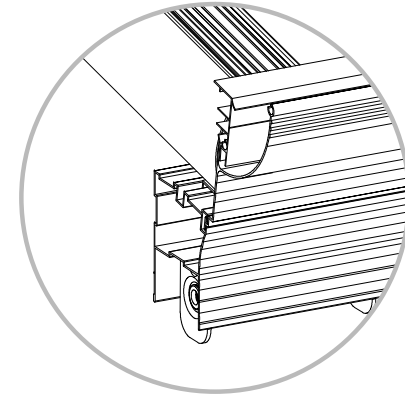
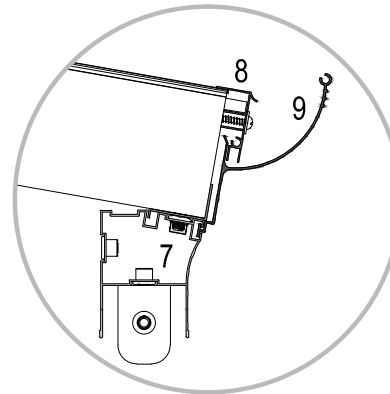
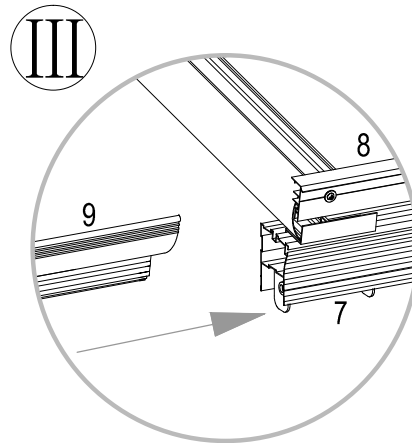
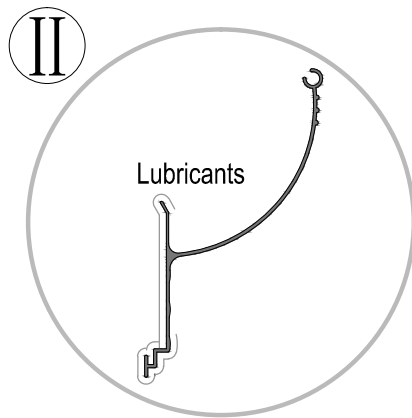
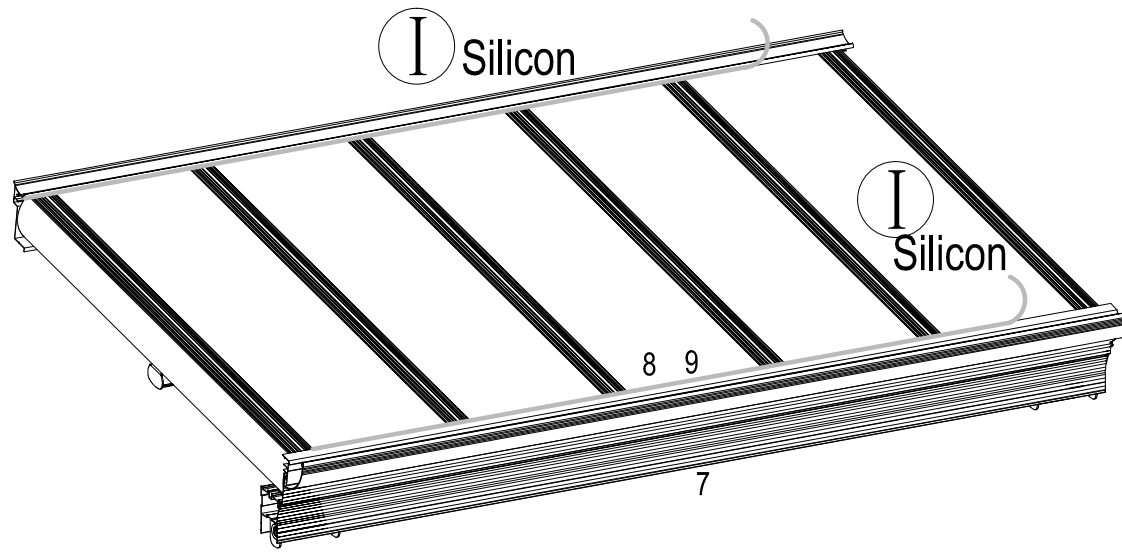
I



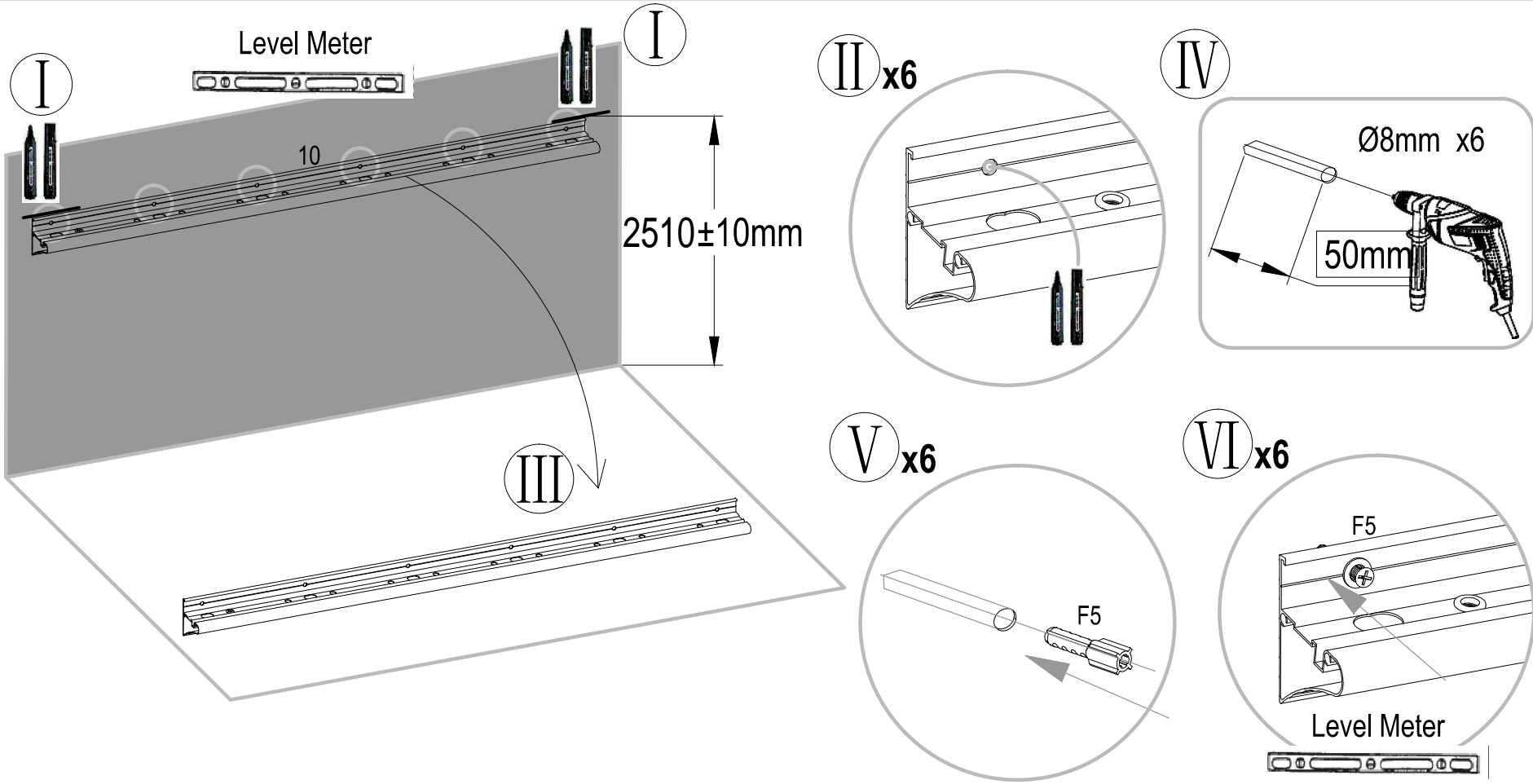
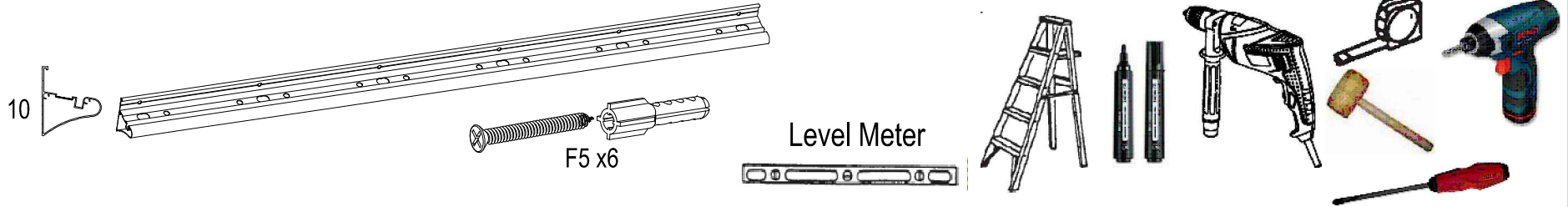
II

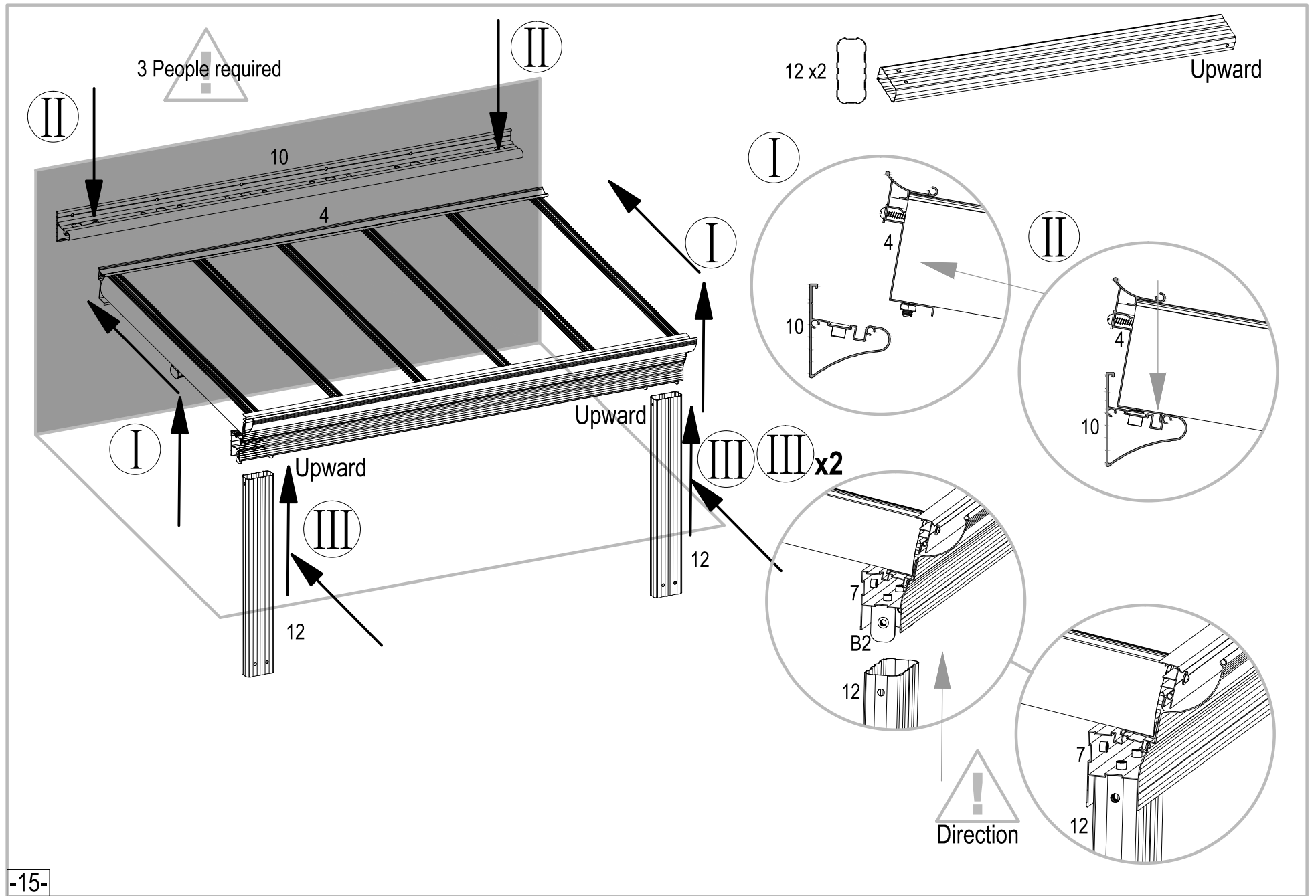


F1 will be easy to install by using lubricants



? 9 will be easy to install by using lubricants

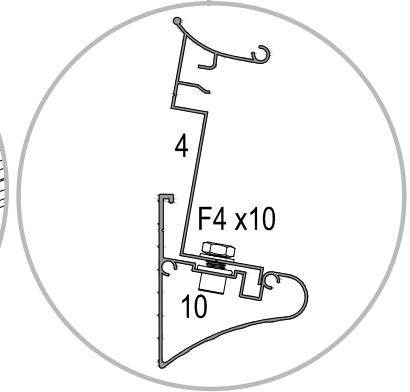
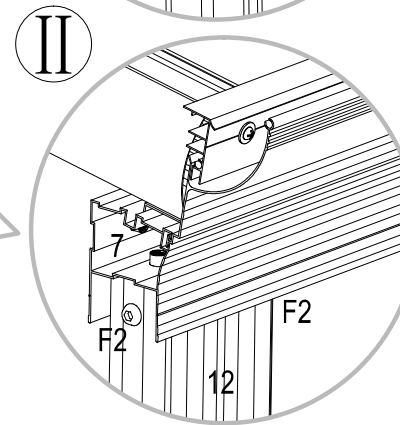
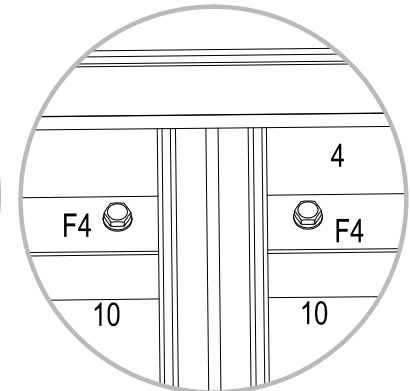
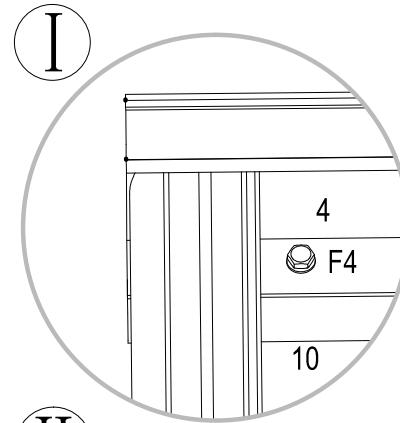
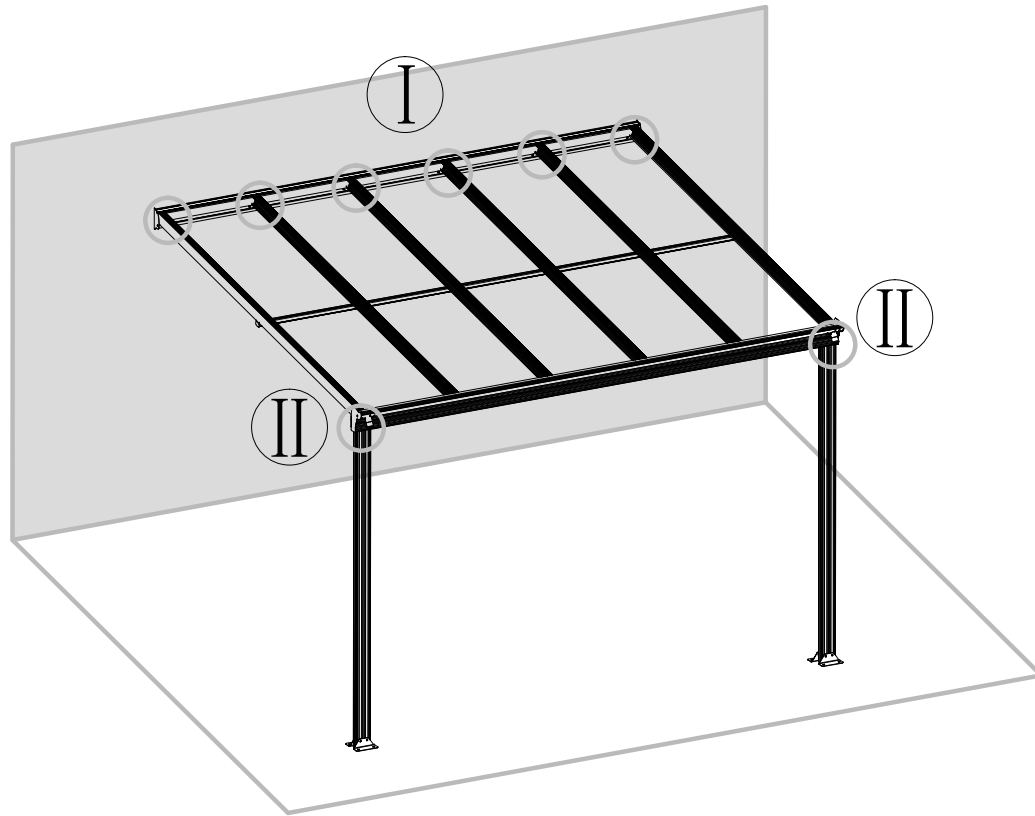


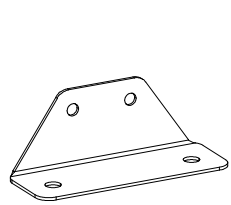


F4 x10

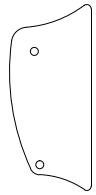


F2 x4

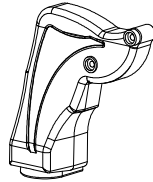




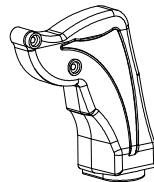
B1 x4



B4 x2



B5L



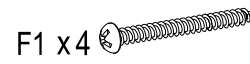
B5R



S9 x2



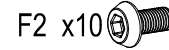
S7 x2



F1 x4



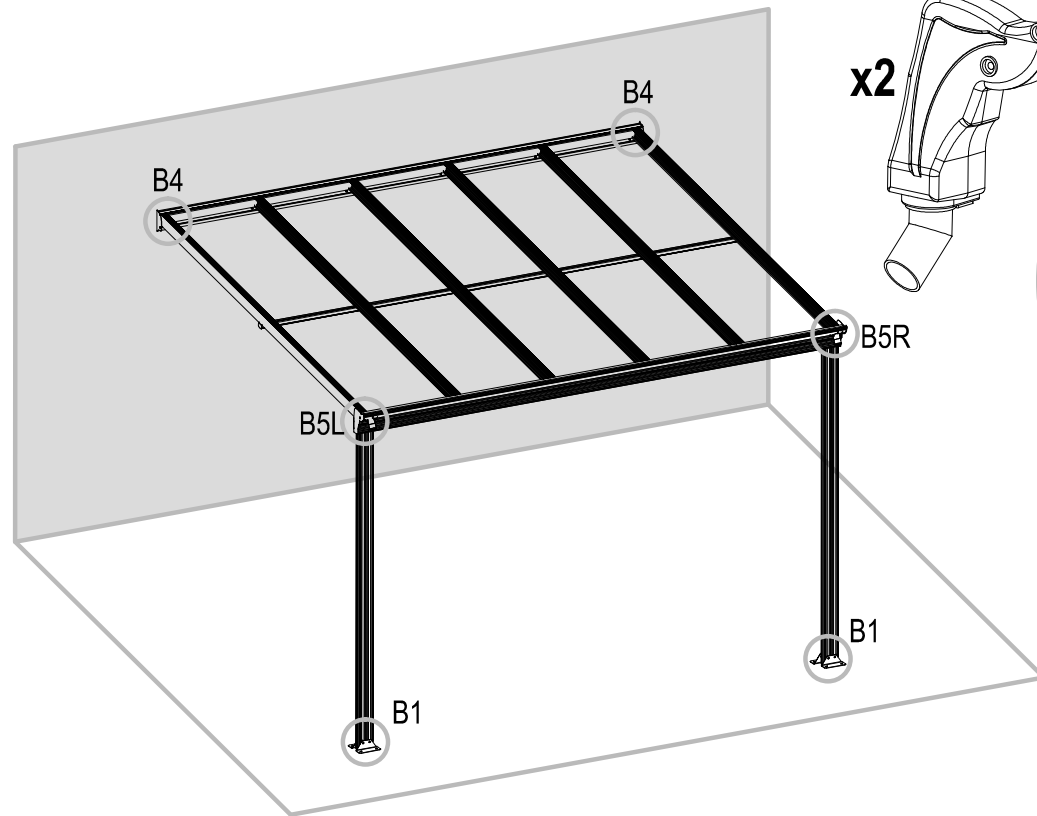
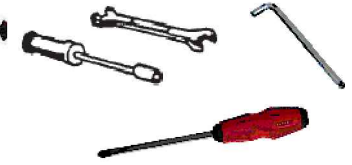
F3 x4



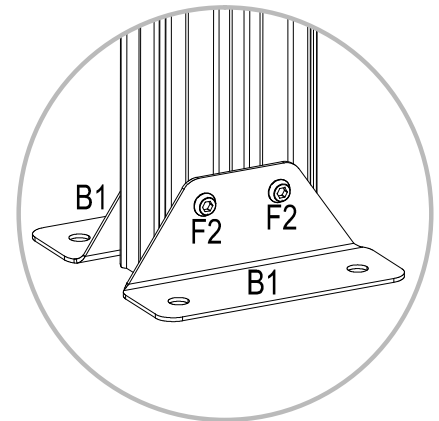
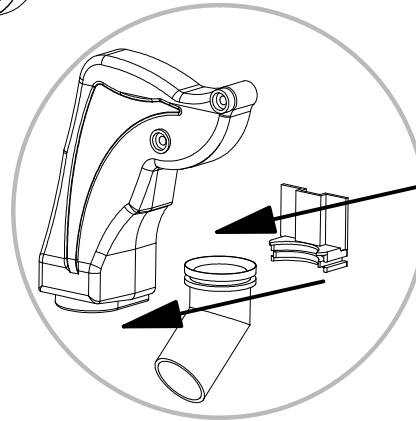
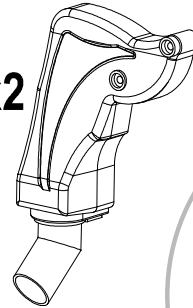
F2 x10



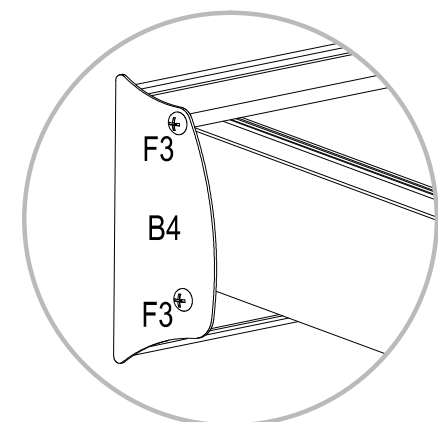
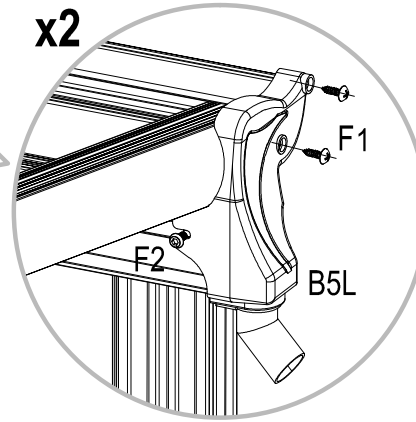
Silicon

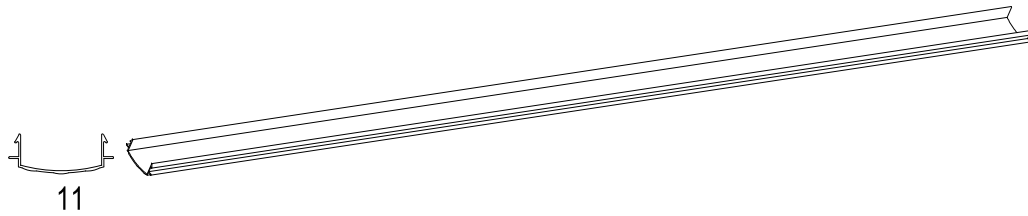


x2

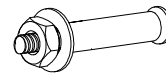


x2

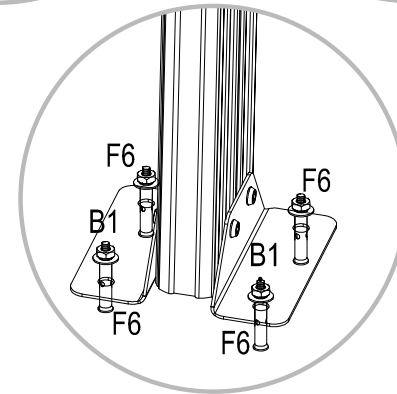
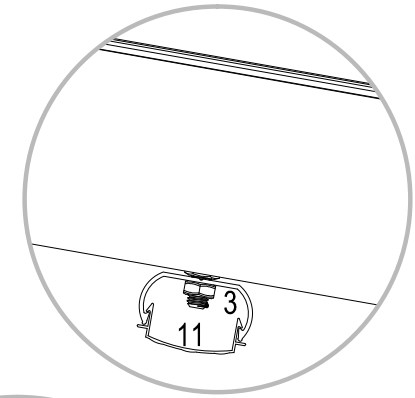
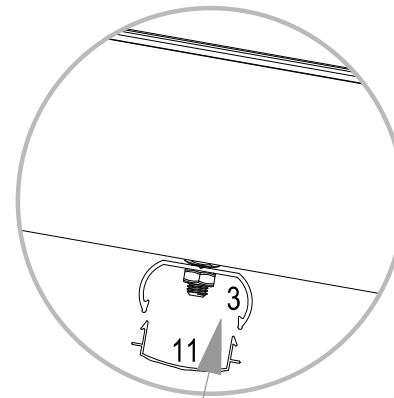
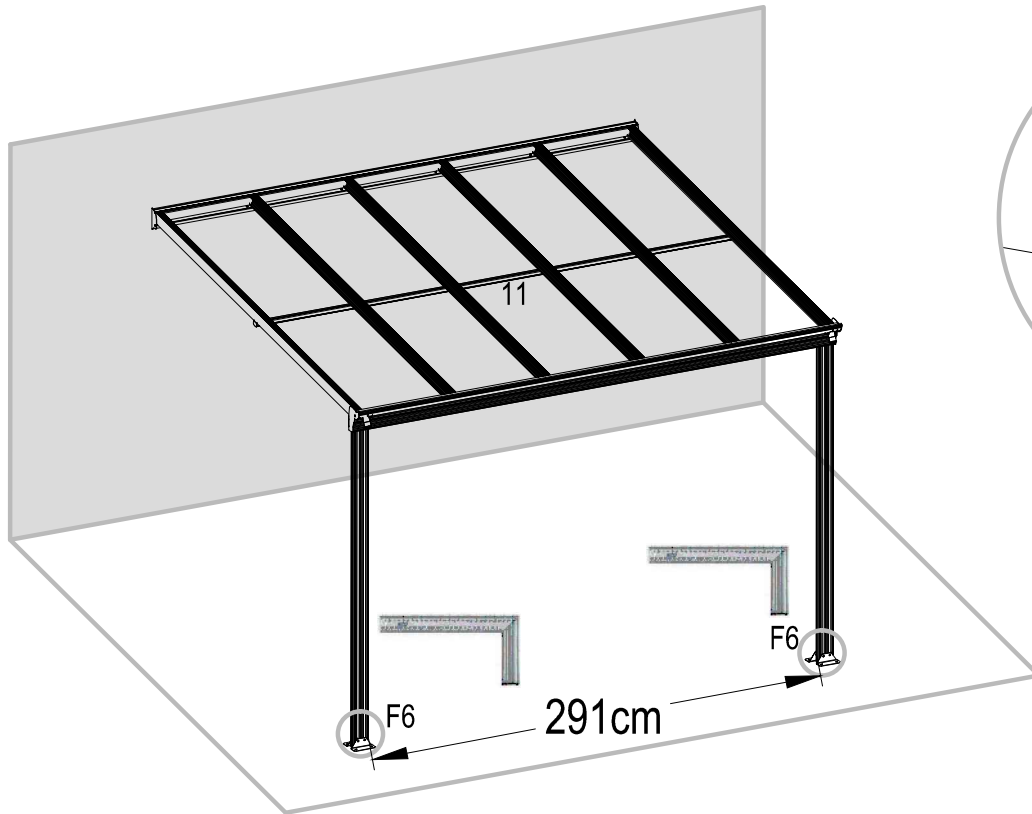
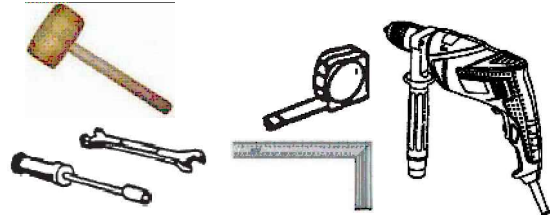




F6 x8



S8 x8



Cover all F6, tapping it with wooden hammer ensure it will not fall off.

Maintenance:

In a timely manner the centralizer skeleton.

- 1.If the ground not level off, loose soil layer thickness is differ, wall shed may tilt to one end, once found, should be timely the centralizer, in case of deformation.
- 2.Prevent increased loading-weight artificially.
Don't let any lentils, towel gourd, pumpkin and climbing fruits and vegetables to grow up , otherwise if it is windy and rainy, skeleton is unbearable, and easy to cause skeleton crack, broken, collapse Avoid kinds of vine plant climbing, or it can not bearing for the wind and heavy rain, broken,collapse may accured.

The sunshine board maintenance:

- 1.In the using , note do not use sharp objects collision films, avoid to cut films. Be careful not collide with a sharp object films,in order to avoid scratched films when using.
- 2.If films appear rupture, can use glue to repair or repair with transparent tape. Available polyurethane adhesive for repairing. Often keep the films clean, generally the PC sheet replacement using 6 ~ 10 years later, so as not to affect the light transmittance. Using transparent tape adhesive to patch cracks of film when any broken in case .Keep clean films,it will better replaced by new panels after 6-10years to avoid affect the Light transmittance
- 3.The flame retardant in polycarbonate material, but still need to stay away from fire, avoid softening deformation.
As Polycarbonate is fire-retardant materials, please stay away from the fire to avoid softening deformation.

Frame maintenance:

- 1.The frame is aluminum alloy structure, if there is a white problem can wipe with a cloth in time, under high temperature and wet environment.
All frames are made of alloy aluminum. White spots may appeared under wet-hot environment, just wipe it.
- 2.If there is any distortion calibration shall be carried out in a timely manner in order to avoid sunshine board out, If Polycarbonate out of frame, please removed screws. Carried out in accordance with the manual installation steps, and partial restoration.Any distortion calibration shall be carried out in a timely to avoid the sunshine board fall off. Repair work should be according to the IM.
- 3.If connection piece serious rust, should change in time the new screws and connectors to ensure connection parts are firm
Please replaced the serious rust screws and connection for stable.

How to do in bad weather:

- 1.If there is lightning may not stay in the shed, because aluminum alloy skeleton is conductive and will be caused serious consequences
Do not stay under shed when lightning.
- 2.Wind power reaches 70 km/h should be prepared ready to defense equipment, fixed wall shed. Fixed method with a strong rope or cable connect the cornice work four Angle of anchor block inserted into the soil or tied in a nearby tree stem > 10 cm in diameter. Pay attention to the weather turns good dismantled after the rope or cable to avoid injury and pedestrian.
Please get defensive measures when facing heavy wind (abt 70km/H). Reinforce by steel rope and anchors which insert into ground or Strapping on a big tree
- 3.Clear in time at the top of the deciduous leaves led to the decrease of the canopy transparency, heat preservation effect is reduced
To avoid greenhouses reduced transparency, heat preservation effect is reduced, please clean up the leaves at the top.
- 4.During snow, removal work in time, if not timely to snow removal, Use solid wooden plate supporting internal intermediate point and middle position of polycarbonate, prevent snow collapsing the wall shed.
To prevent collapsing by snow, please remove the snow in time,Or support by a wooden stick support in the center of the sunshine board for reinforcement

DANCOVER[®]

.com

Contact information

Head office:

Dancover A/S
Nordre Strandvej 119 G
3150 Hellebæk
Denmark

For more information
please visit:
www.dancovershop.com

National contact

Denmark: 70 26 76 20
denmark@dancover.com

UK: 020 8099 7570
uk@dancover.com

Germany: 041 0266 7040
germany@dancover.com

France: 0975 181 800
france@dancover.com

Sweden: 040 233 262
sverige@dancover.com

Finland: 0 931 581 720
suomi@dancover.com

Poland: 22 300 8602
polska@dancover.com

Luxembourg: +49 041 0266 7040
luxembourg@dancover.com

Portugal: 308 800 899
portugal@dancover.com

Spain: 911 436 828
espana@dancover.com

Italy: 02 479 21 198
italia@dancover.com

Switzerland: 0840 000125
schweiz@dancover.com

Austria: 0662 626935
austria@dancover.com

Norway: 231 00 690
norge@dancover.com

Nederland: 0 858 880 524
nederland@dancover.com

Ireland: 0 151 33 003
ireland@dancover.com

Belgium: 0 28 08 08 09
belgique@dancover.com