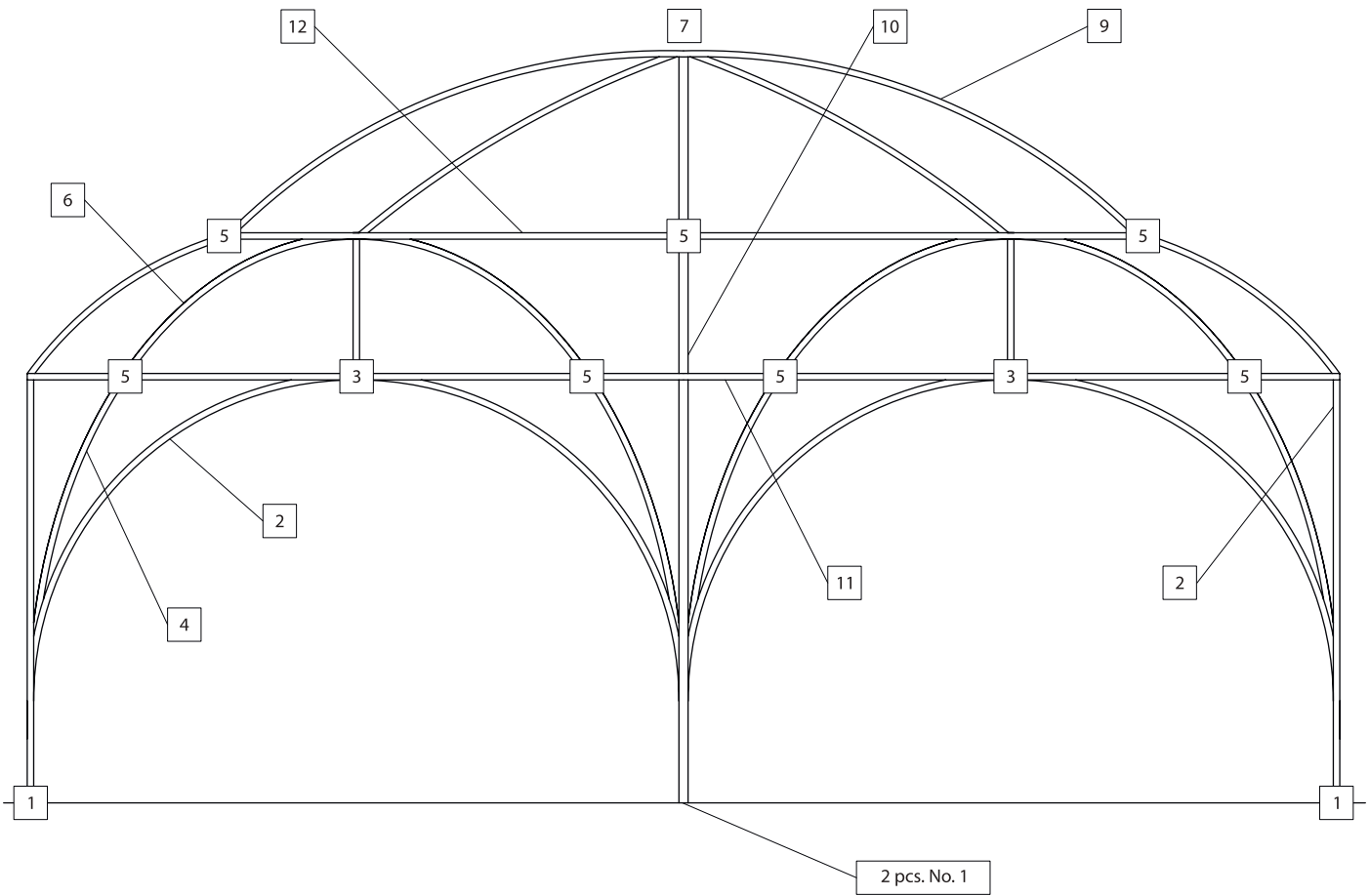


DANCOVER[®]

.com

Manual
for
Marquee
Multipavillon
6x6m

ASSEMBLY INSTRUCTION

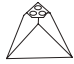



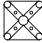









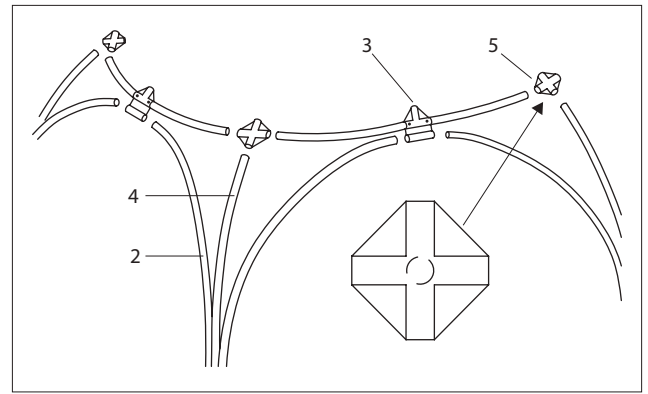
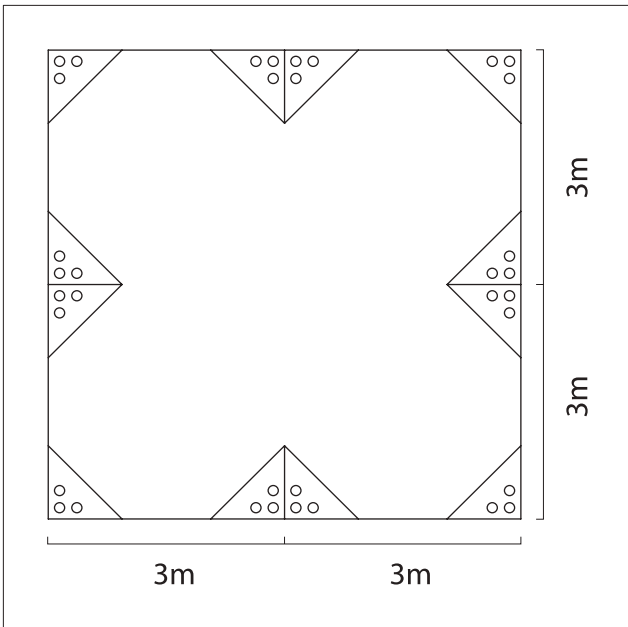
**It is easy to assemble
your marquee
Multipavillon**

Each package must contain

No. 1	No. 2	No. 3	No. 4	No. 5	No. 6	No. 7	No. 8	No. 9	No. 10	No. 11	No. 12
12 pcs.	16 pcs.	8 pcs.	12 pcs.	16 pcs.	20 pcs.	1 pcs.	12 pcs.	8 pcs.	4 pcs.	4 pcs.	4 pcs.

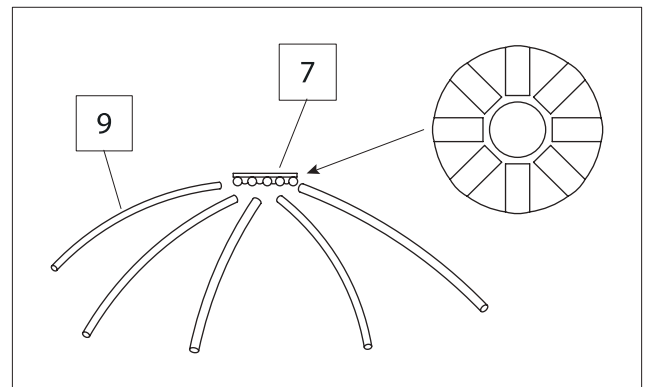
Each marquee consists of

No. 1		Base
No. 2		Entrance tube
No. 3		Small horizontal tube
No. 4		Small corner tube
No. 5		Cross fitting
No. 6		Small top tube
No. 7		Top fitting
No. 8		Ground pegs
No. 9		Large top tube
No. 10		Large corner tube
No. 11		Small curved tube
No. 12		Large horizontal tube

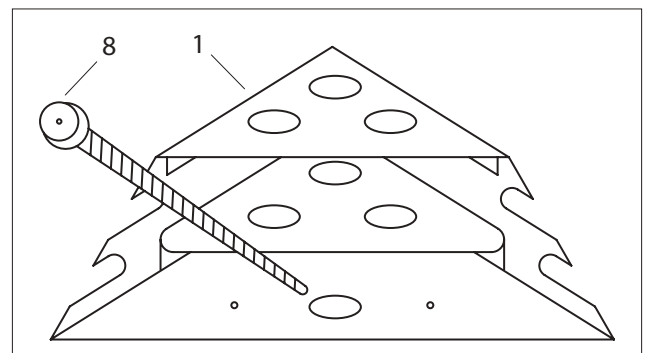
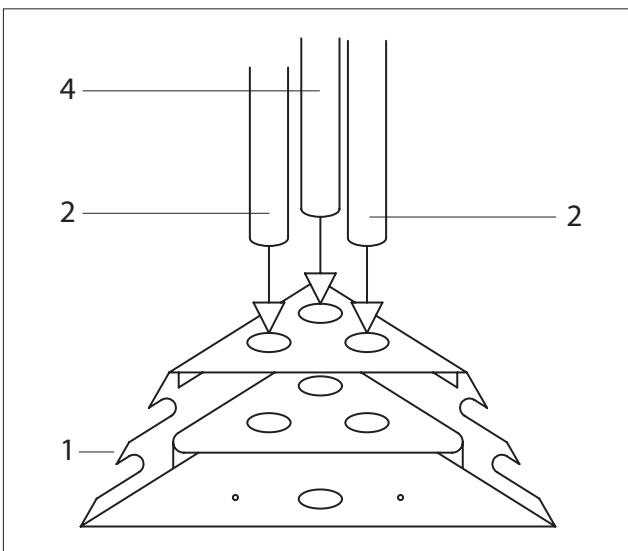


Mount the tubes (2) in (3) for a complete arch. Mount the connector (5) with the middle tube (4). Mount the horizontal tubes (3) with the connectors (5) to make a ring.

Place the 12 corner bases (1) as shown on drawing so they form a frame measuring 6x6 m. If the marquee is mounted outside use ground pegs (8) inserted into the ground with a hammer. If the marquee is mounted on a concrete or wooden floor, the corner base can be fastened with concrete nails or screws. Fasten only one corner until the entire frame has been assembled in order to ensure that the other corner bases are placed correctly within the square.



Assemble and mount the top section consisting of (9) and (7).



Now you can fasten the remaining corner bases if necessary. Finally, mount to cover onto the frame. Fasten the 4 straps at the ends of the cover to the 4 corner bases.

Place the longest tubes (2) in the 2 outermost holes in each corner base and the shorter tube (4) in the middle hole. Mount the tubes so the snap-and-click features points upwards.

Contact information

Head office:

Dancover A/S
Nordre Strandvej 119 G
3150 Hellebæk
Denmark

For more information
please visit:

www.dancovershop.com

National contact

Denmark: 70 26 76 20
denmark@dancover.com

UK: 020 8099 7570
uk@dancover.com

Germany: 041 0266 7040
germany@dancover.com

France: 0975 181 800
france@dancover.com

Sweden: 040 233 262
sverige@dancover.com

Finland: 0 931 581 720
suomi@dancover.com

Poland: 22 300 8602
polska@dancover.com

Luxembourg: +49 041 0266 7040
luxembourg@dancover.com

Portugal: 308 800 899
portugal@dancover.com

Spain: 911 436 828
espana@dancover.com

Italy: 02 479 21 198
italia@dancover.com

Switzerland: 0840 000125
schweiz@dancover.com

Austria: 0662 626935
austria@dancover.com

Norway: 231 00 690
norge@dancover.com

Nederland: 0 858 880 524
nederland@dancover.com

Ireland: 0 151 33 003
ireland@dancover.com

Belgium: 0 28 08 08 09
belgique@dancover.com