

CosyLifeStyle®

Manual
for
Bioclimatic Pergola
Gazebo Génova
4x3m and 4x4m

Assembly Manual

GÉNOVA **PERGOLA PAVILLON**



INDEX

Before Starting

Tools required

Content

Safety precautions

Assembly

1. Planning (measurements and presentation)
2. Installation (assembly)
3. Installation (fixing)
4. Installation (assembly of the laterals)
5. Installation (fixing the frame)
6. Installation (motorization & connection)
7. LED lighting (optional)
8. Installation (watertightness of the joints)
9. Installation (slats)
10. Installation (transmission)
11. Connection and checks

Tips and maintenance

Appendix

Before Starting

The installation needs to be carried out by at least two people.

DO NOT REMOVE THE PROTECTIONS UNTIL THE INSTALLATION HAS BEEN COMPLETED.

Before starting the assembly, check that all parts are included in the box. Screws for fixing to the floor are not included. Consult your trusted supplier which product is the most suitable to ensure optimal fixation according to the particular situation.

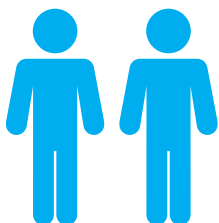
Keep plastic bags out of the reach of children to avoid suffocation. Maintain the packages in a horizontal position during the entire assembly process. Keep them in a clean space, thus avoiding possible scratches on the aluminium structure.

Avoid installation in overexposed or windy locations.

Before drilling the surface, ensure that there is sufficient space for the pergola to be installed. Check that the area is free of gas & water pipes and electrical cables.

Tools required...

2 persons



Spirit level



Tape measure



Wall drill bit n-10



Hammer



Hammer drill



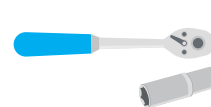
Silicone gun



Allen spanners



Fixed or ratchet 13mm spanner



Pliers



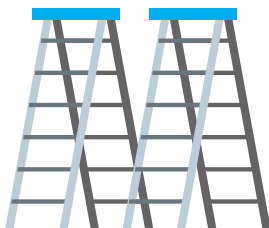
Open-end spanner 10mm



Cross-head screwdriver



2 ladders



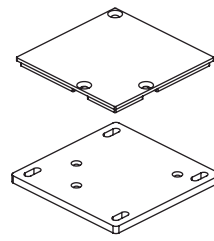
You need to buy...

- Bolts for fixing the pergola to the floor (16 units). Bolts, washers and, if needed, wedges must be selected according to the condition of the floor. These fixing objects must be made of stainless steel.

- Neutral transparent silicone to seal the joints.

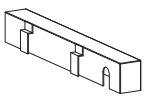


Content



Post cover x4

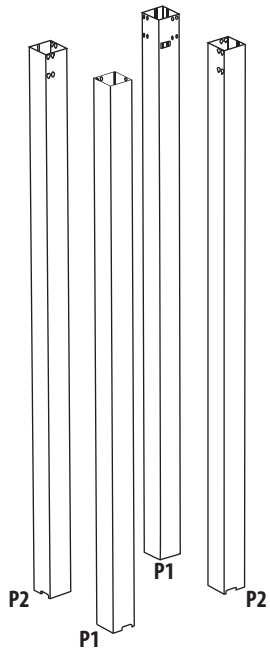
Floor mounting plate x4



Motor Guard x1

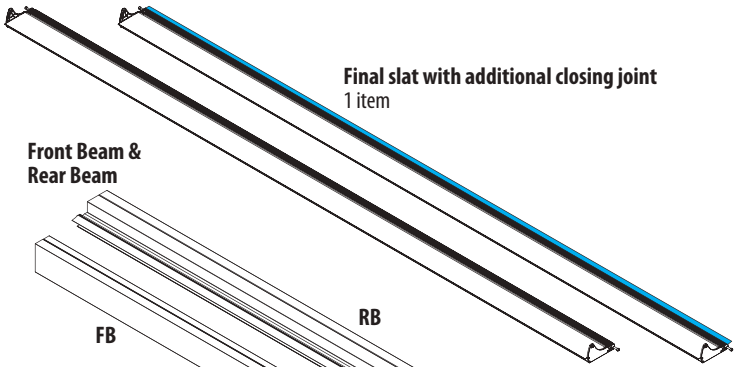


Splicing connector x2



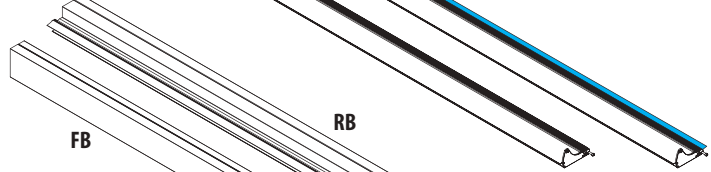
Posts

Normal slats

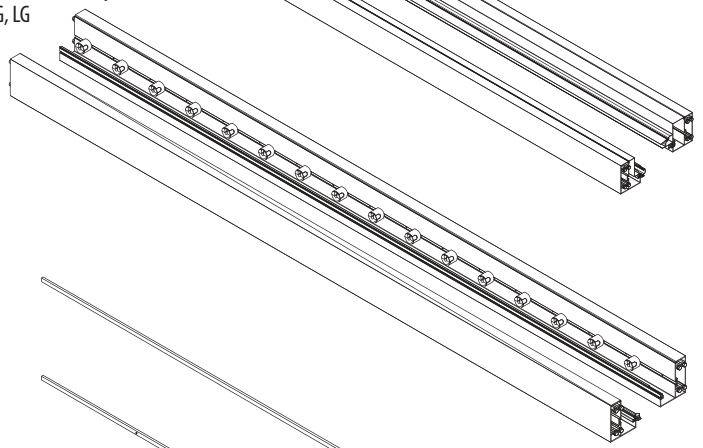


Final slat with additional closing joint
1 item

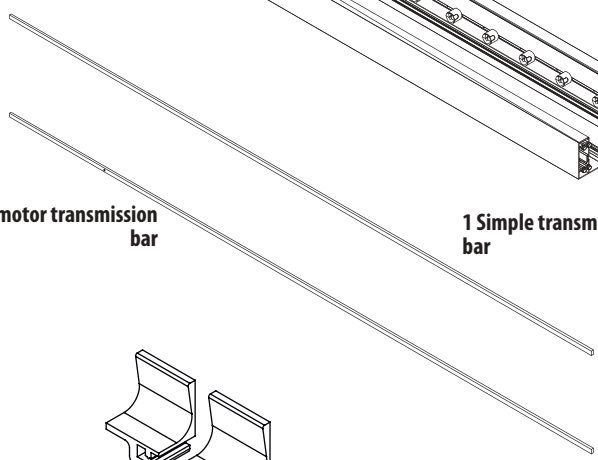
Front Beam & Rear Beam



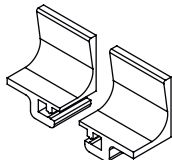
Left gutter beam & right gutter beam (lateral beams) (RG, LG)



1 motor transmission bar



1 Simple transmission bar



Pair of drain closing pieces (Left & Right)

LED lighting kit (optional)

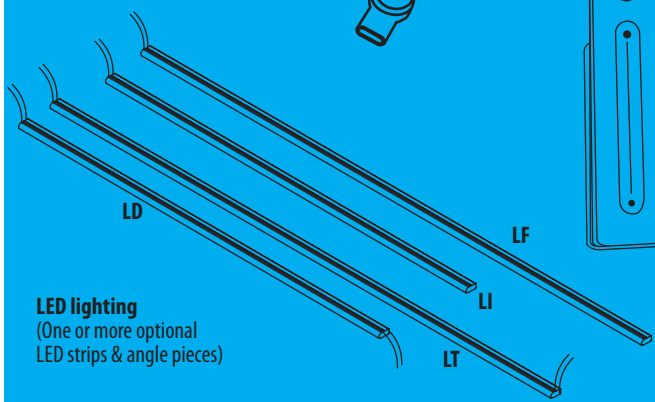


Corner Bracket X4

Splicing connector x12

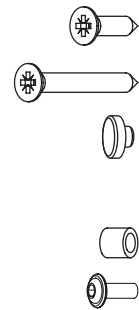


1 LED remote control



LED lighting (One or more optional LED strips & angle pieces)

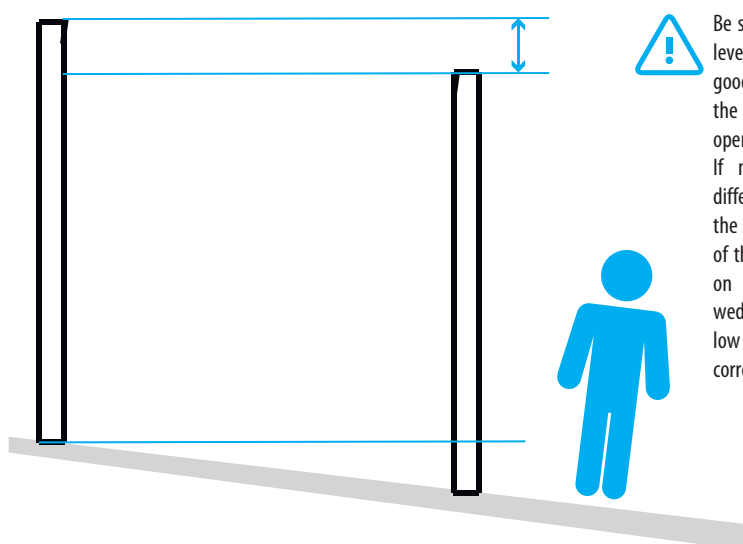
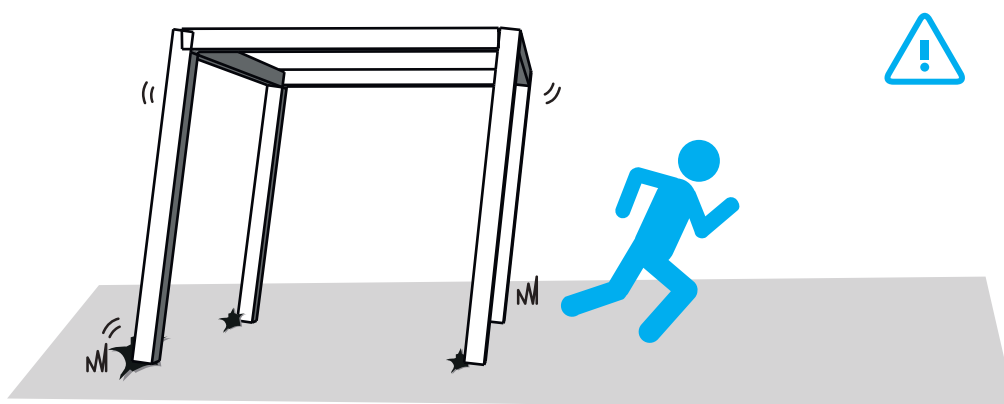
Fixing screws included



- X12 Screws 6.3x25 (post cover)
- X12 Screws 6.3x80 (floor mounting plate)
- X4 Screw Cap Cover
- Assembly of the slats**
- X32 roller slat rotation 10801333
- X32 Screws m6x16 slat rotation 10985370

Safety Precautions

To avoid any risk of falling or detachment of the pergola, it must be securely fastened to the floor to which it is to be anchored. Check the condition and soundness of the support base and ensure that it can support the weight of the pergola and withstand impacts of the fastenings. Improper installation can cause the pergola to fall down and result in personal injury. In case of doubt about the installation, ask a specialised dealer or call in a professional. Use screws, washers and dowels suitable for the support material. The product does not include the screws and fixing plugs. To find out which installation elements are suitable for your fixing structure, please ask a specialised dealer.



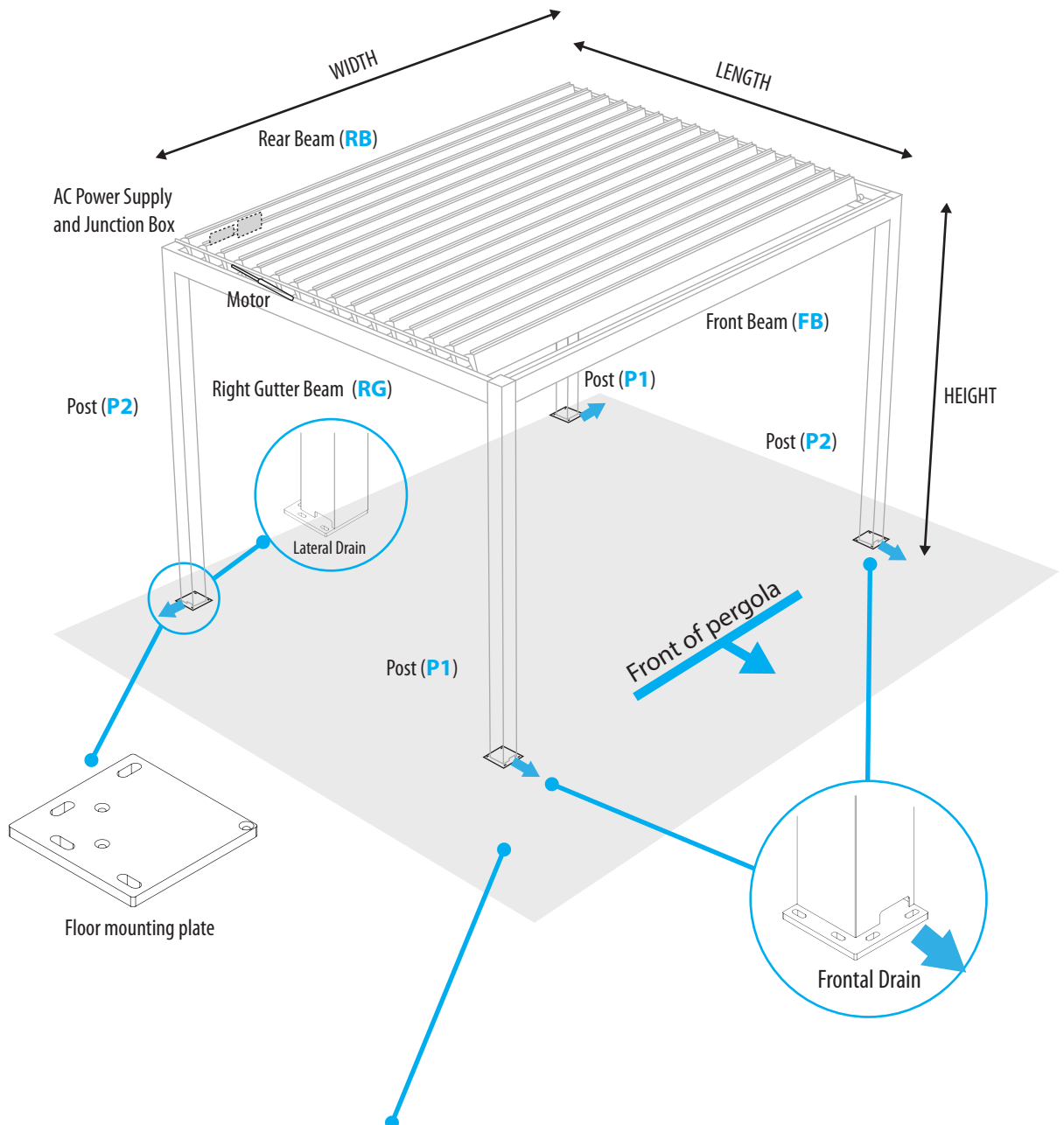
Be sure to install the pergola on levelled ground to guarantee its good functioning, in particular the motorisation and the opening/closing of the slats. If necessary, compensate the difference in height caused by the slope by adapting the height of the posts on the high side or, on the other hand, by using wedges under the posts on the low side, in order to ensure the correct levelling of the roof.

1

Planning

measurements and presentation

- 1.1 Position the floor mounting plates where the posts will be situated. The rainwater drains of the 2 frontal posts should face towards the front of the pergola, the ones of the rear posts towards the outside. The orientation of the floor mounting plates is thus conditioned by the positioning of the posts.



Observation:

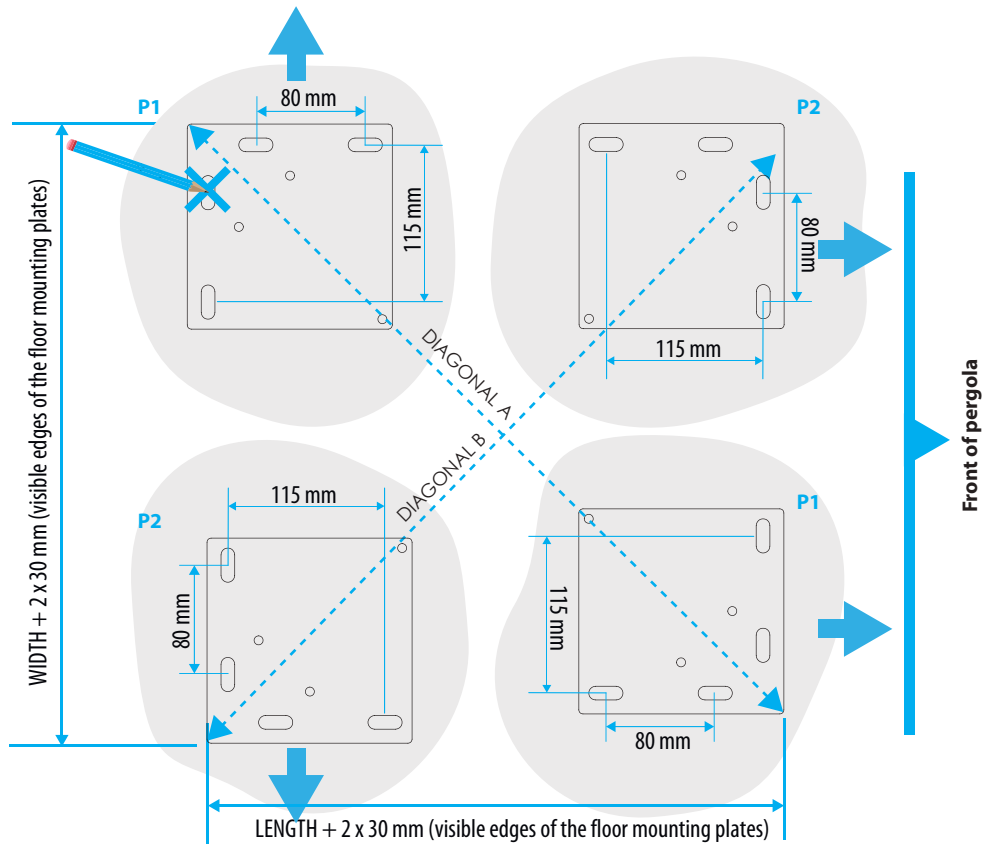
We recommend to assemble the pergola on a reinforced concrete slab with a minimum thickness of 150 mm (or an equivalent surface).

1

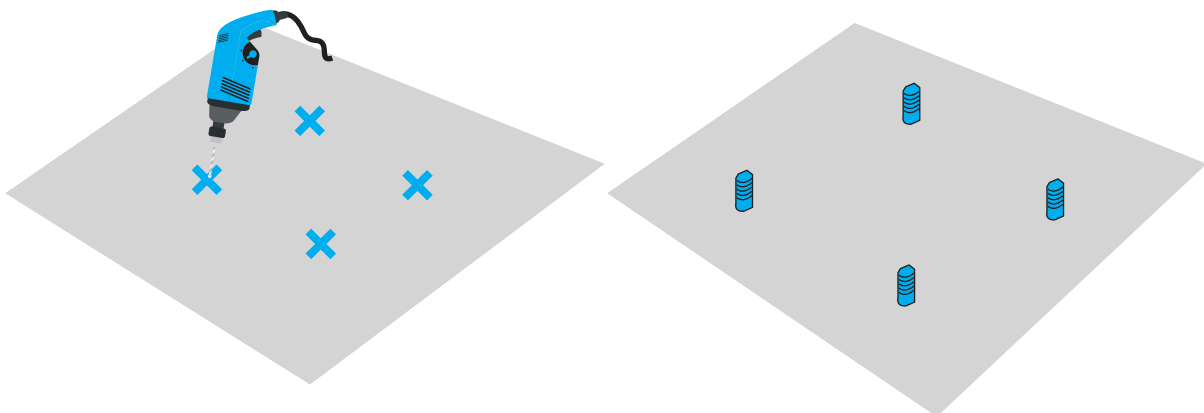
Planning Fixing

1.2

Drill the holes for fixing the pergola to the floor using a drill hammer (bolts not included).



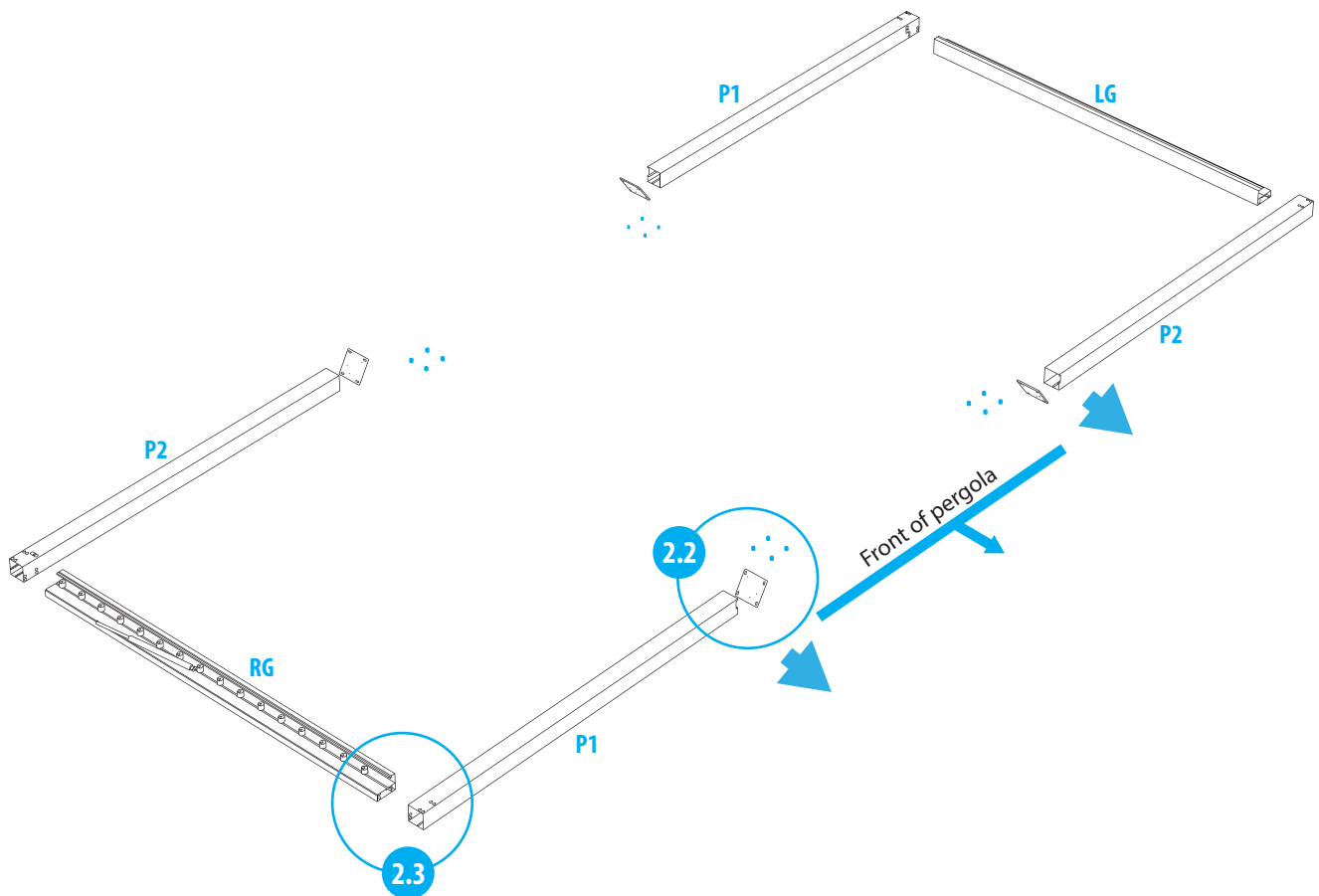
We recommend to use **M10 type bolts**, or at least equivalent to an **AISI 304 quality (stainless steel)**.



2

Installation Assembly

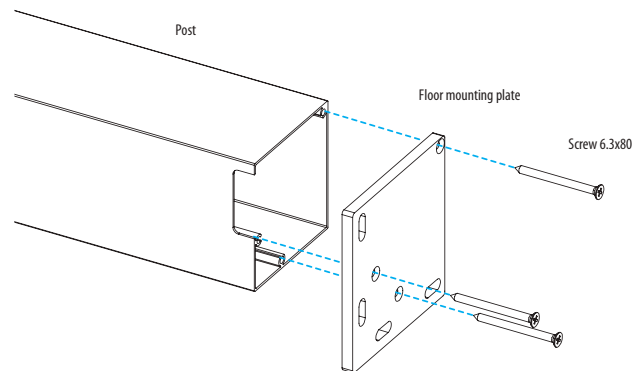
- 2.1** Following the drawing and respecting the orientation, lay out the posts and floor mounting plates on the ground (protect from scratches). Follow the assembly instructions:
P2 + Right Gutter beam (RG) + P1 for the right side,
P1 + Left Gutter beam (LG) + P2 for the left side.



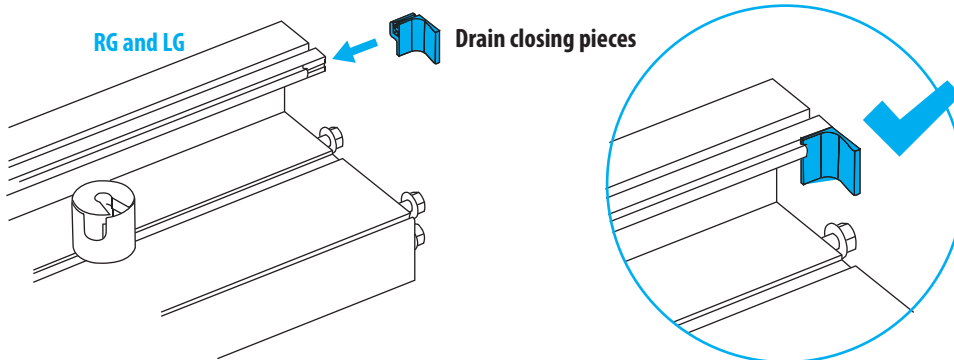
2

Installation Assembly

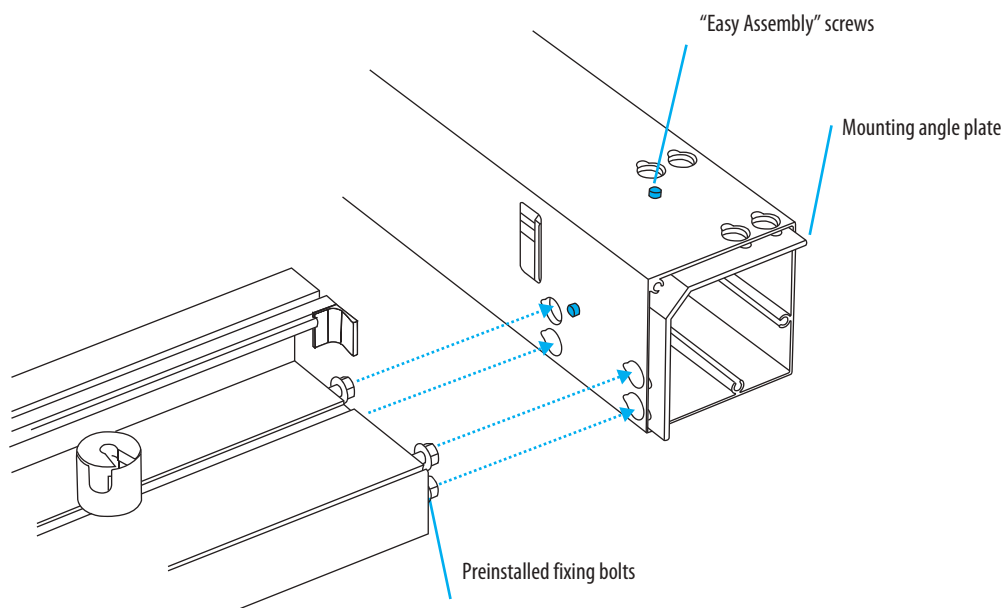
- 2.2 Screw a floor mounting plate to every post using a spanner compatible with PRX screws.



- 2.3 Before joining the beams, assemble the drain closing pieces in the left gutter beam (LG) and right gutter beam (RG), on the side of the front beam (FB).



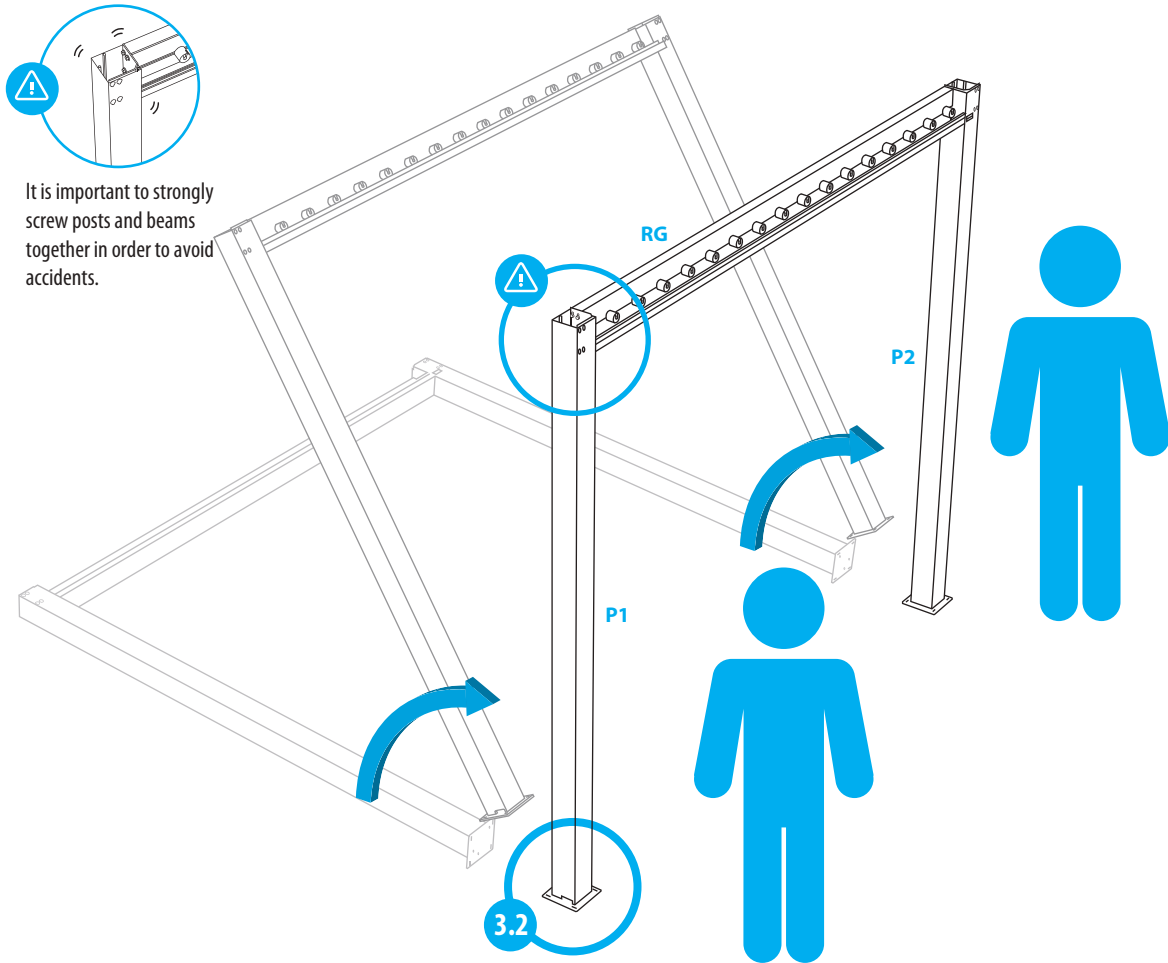
- 2.4 Join the beam and the post by introducing the fixing bolts of the beam through the openings of the mounting angle plate of the post. These plates are kept in place by 2 "easy assembly" screws. They can be removed when indicated.



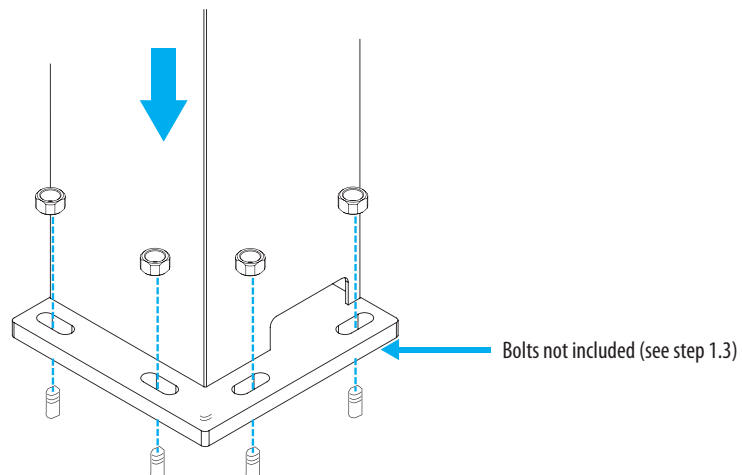
3

Installation Fixing

- 3.1 Once the posts of both sides are assembled with their corresponding Gutter beams (P2 + Right Gutter beam (RG) + P1 & P1 + Left Gutter beam (LG) + P2), the frames can be lifted vertically, with a **minimum of 2 persons**, on the preinstalled bolts. This operation will be carried out on both sides.



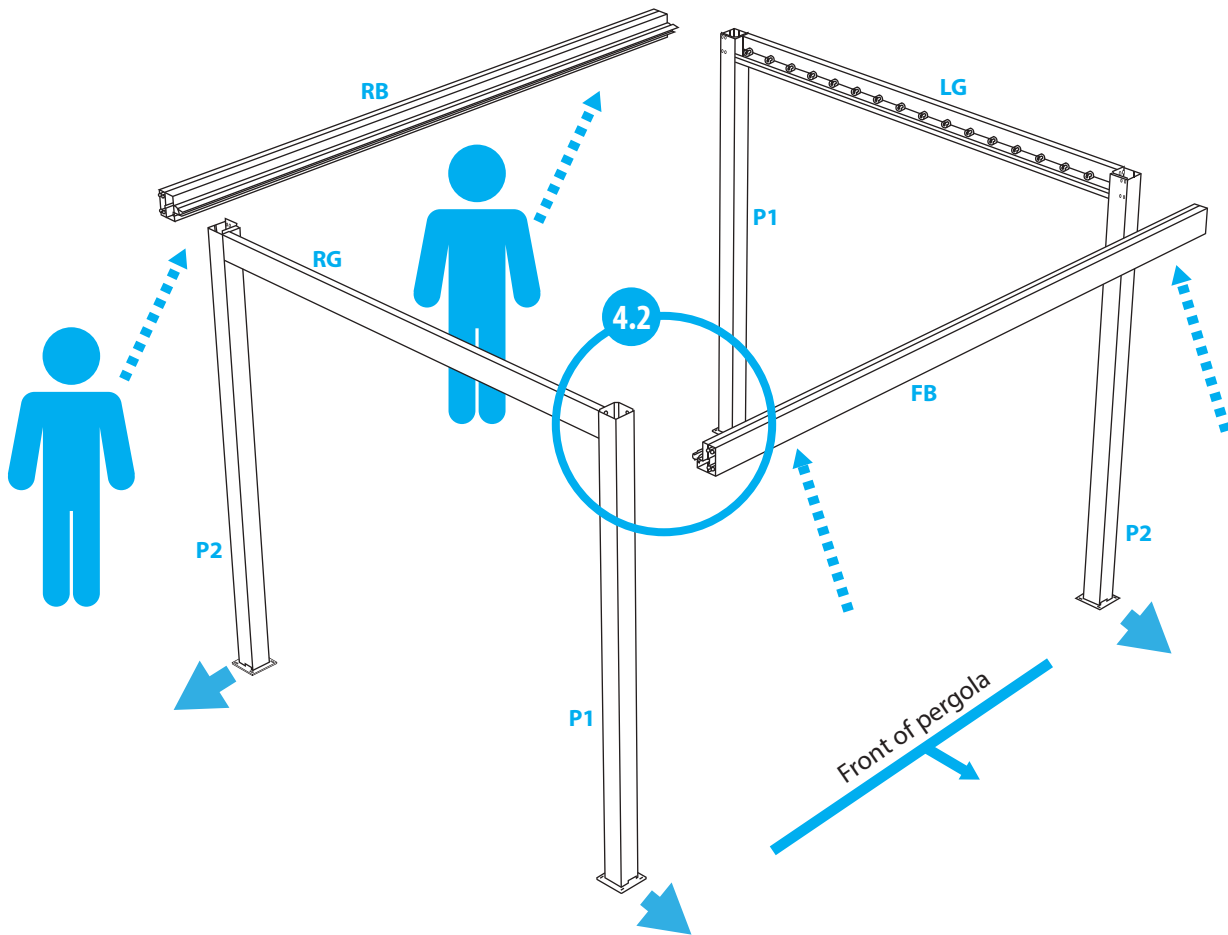
- 3.2 Bolt the floor mounting plates leaving a little clearance, as the posts will have to be reajusted.



4

Installation Assembly of the laterals

4.1 Join the Front and Rear Beams (FB & RB) with the posts (see details step 4.2).

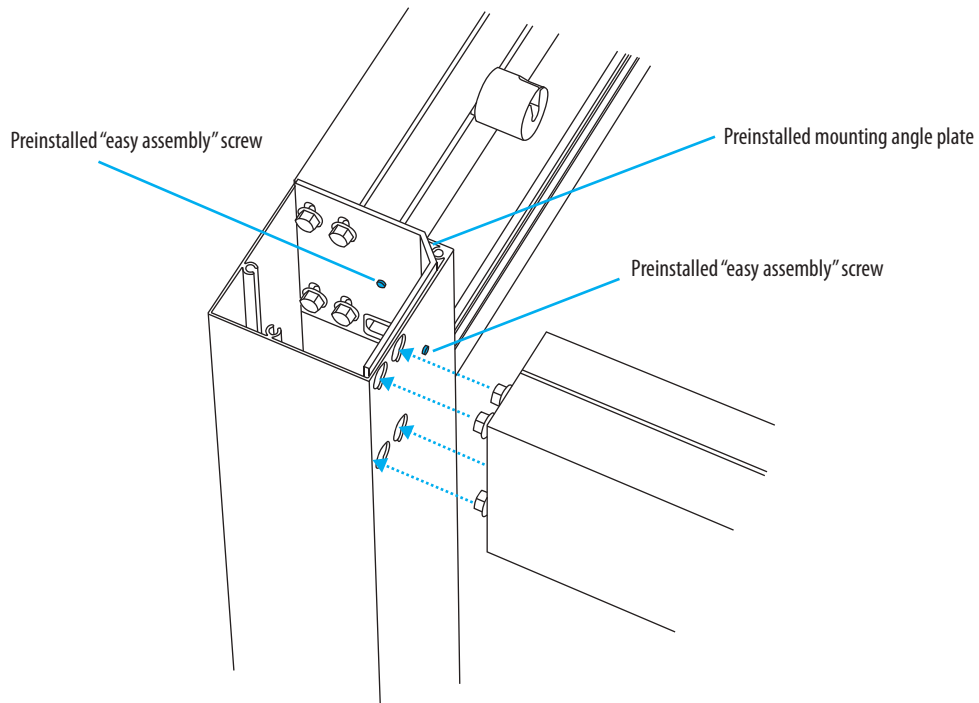


4

Installation Assembly of the laterals

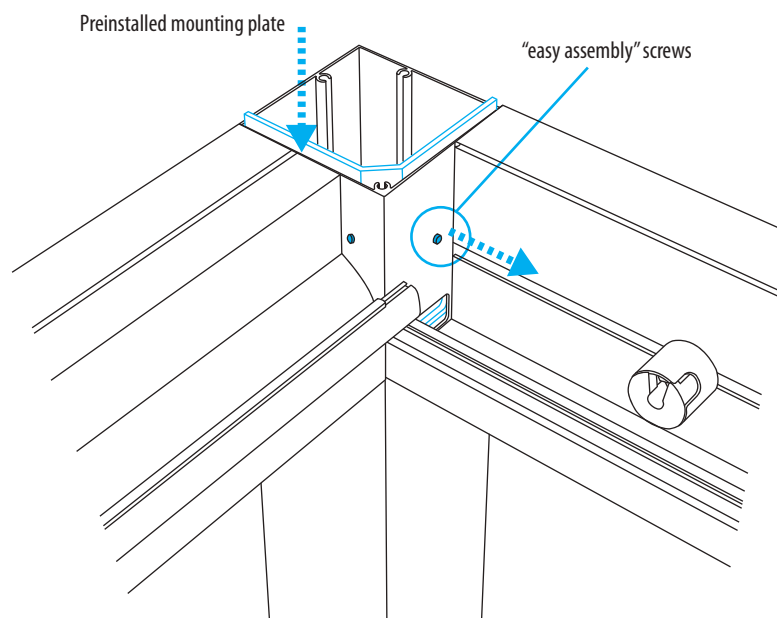
4.2

Assemble the Front and Rear Beams (FB & RB) with the posts by introducing the fixing bolts of the beam through the openings of the mounting angle plate of the post. These plates are kept in place by 2 "easy assembly" screws. They can be removed when indicated. Carry out this operation in every post.



4.3

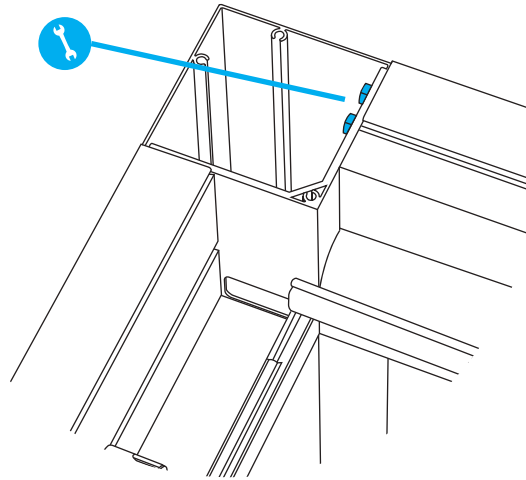
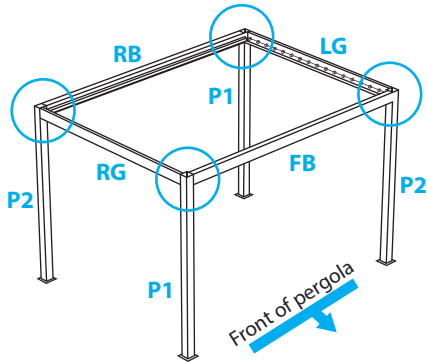
Remove the "easy assembly" screws to liberate the mounting angle plates. These pieces, operating as a lock, have to slide down in order to fasten the preinstalled fixing bolts.



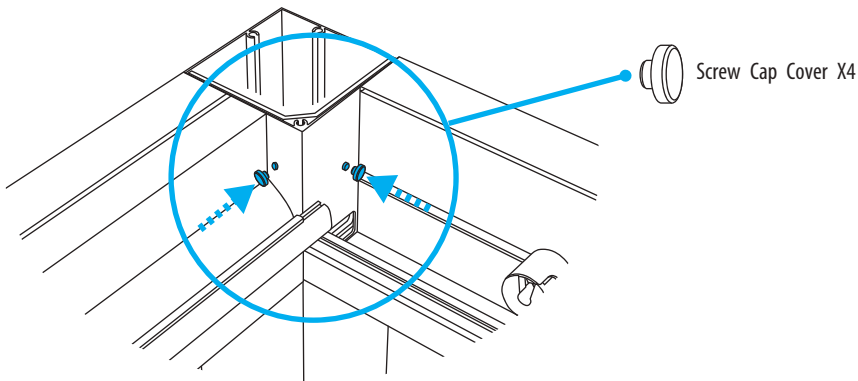
5

Installation Fixing the frame

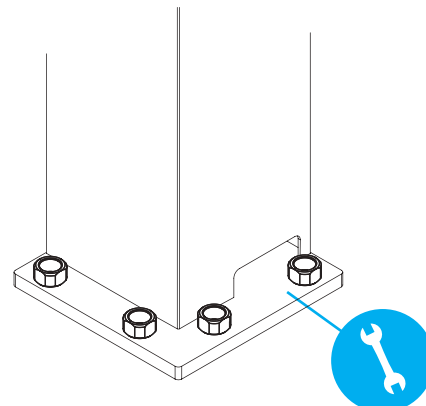
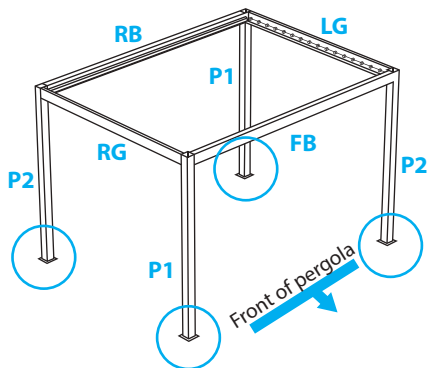
5.1 With the help of a spanner, firmly fasten the fixing bolts that join the beams to the posts.



5.2 Introduce the screw cap covers.



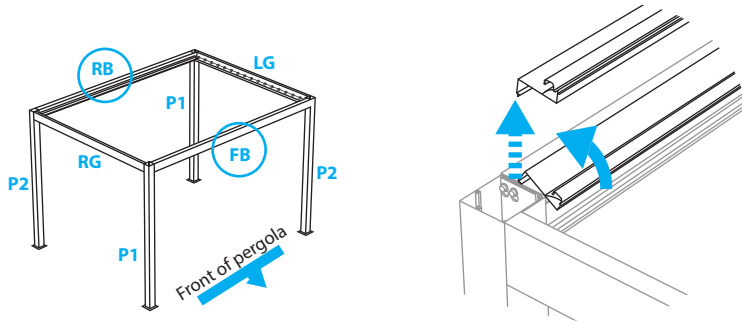
5.3 With help of a spanner, firmly fasten the fixing bolts of the floor mounting plates.



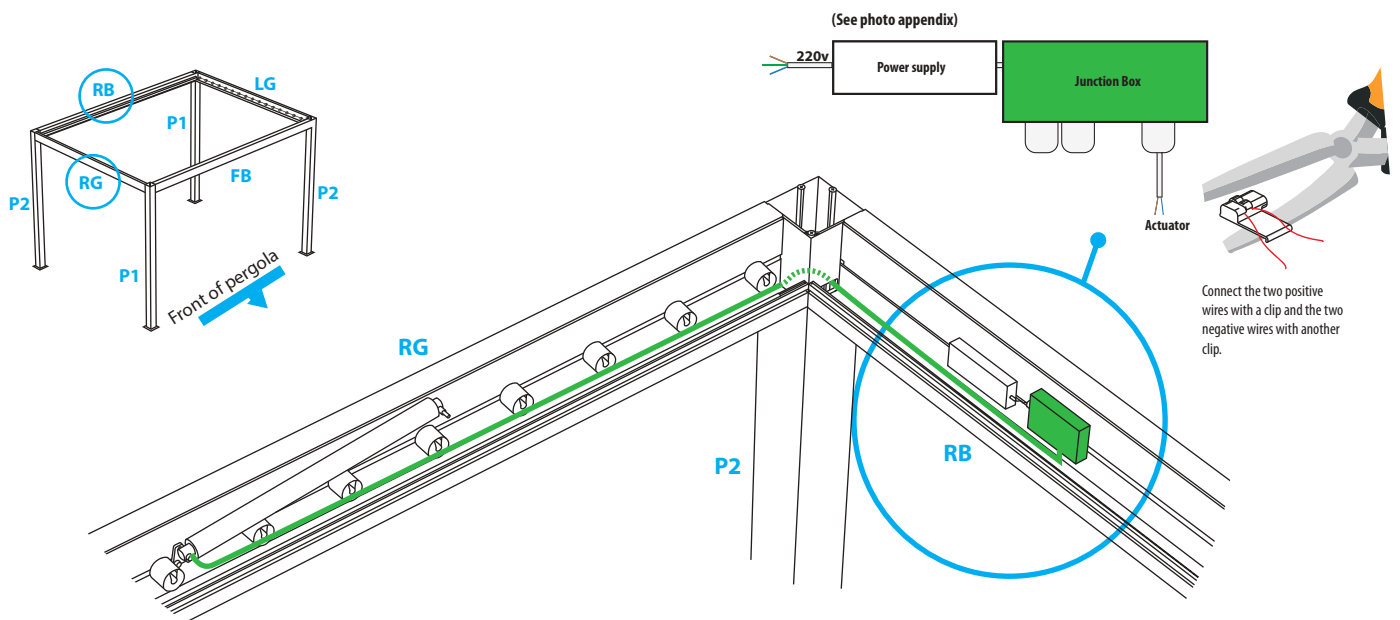
6

Installation Motorization and connection

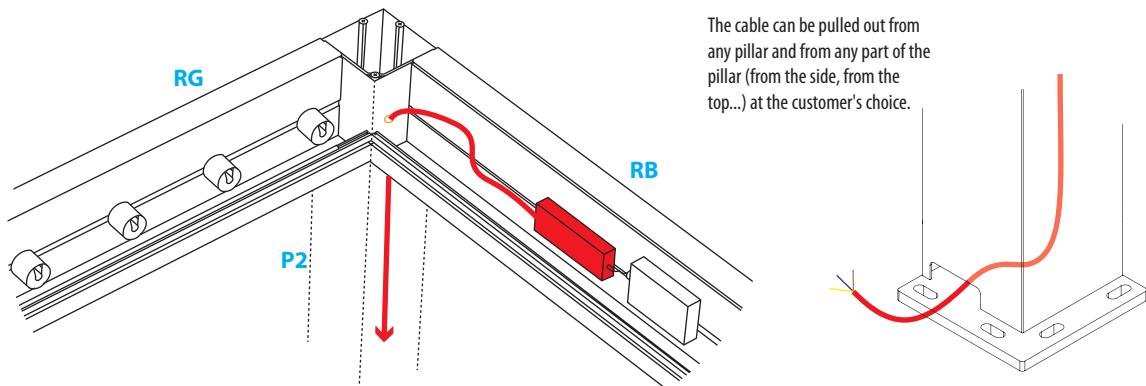
6.1 Remove the covers of the Rear and Front Beams (RB & FB), in order to access the space hidden by the covers.



6.2 **Connection of the motor.** The junction box and motor power supply are preinstalled on the Rear Beam (RB). Pass the cable from the motor piston alongside the gutter and through the openings of the post reserved for this purpose. Connect the cable to the junction box as indicated in the drawing.



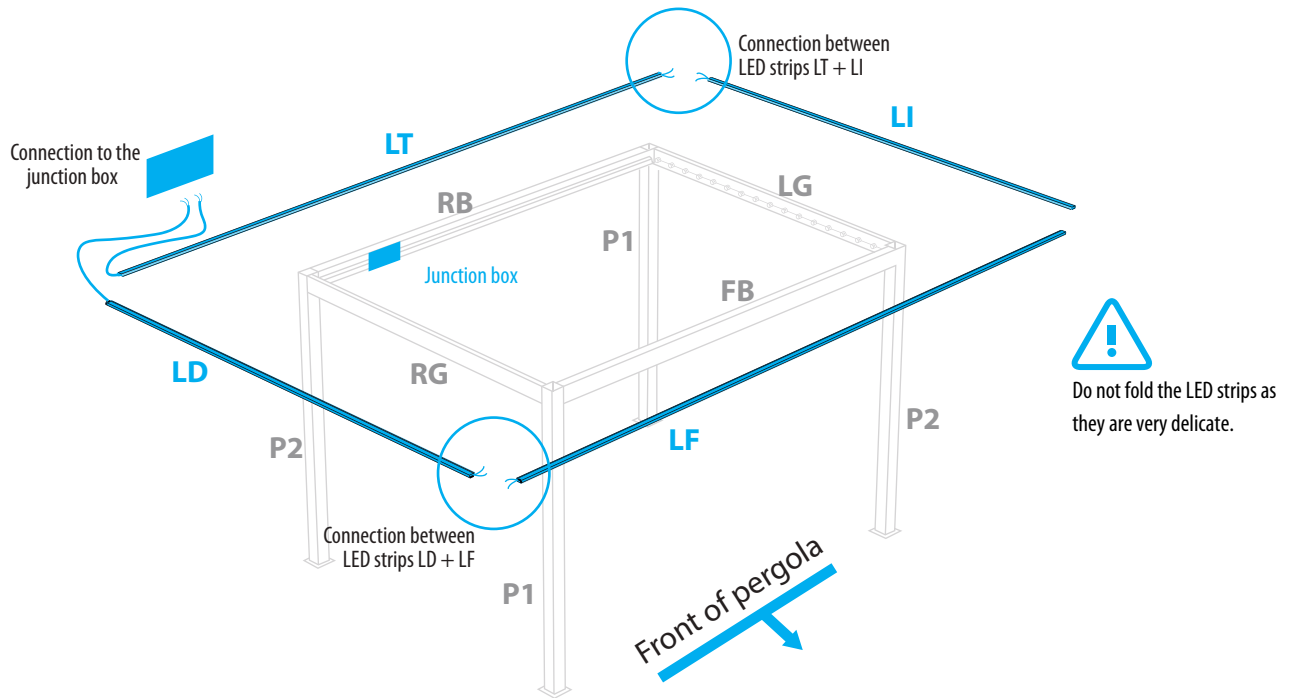
6.3 **Electrical connection**
To pass the power cable, a hole is drilled manually in the desired area, depending on where the socket is located.



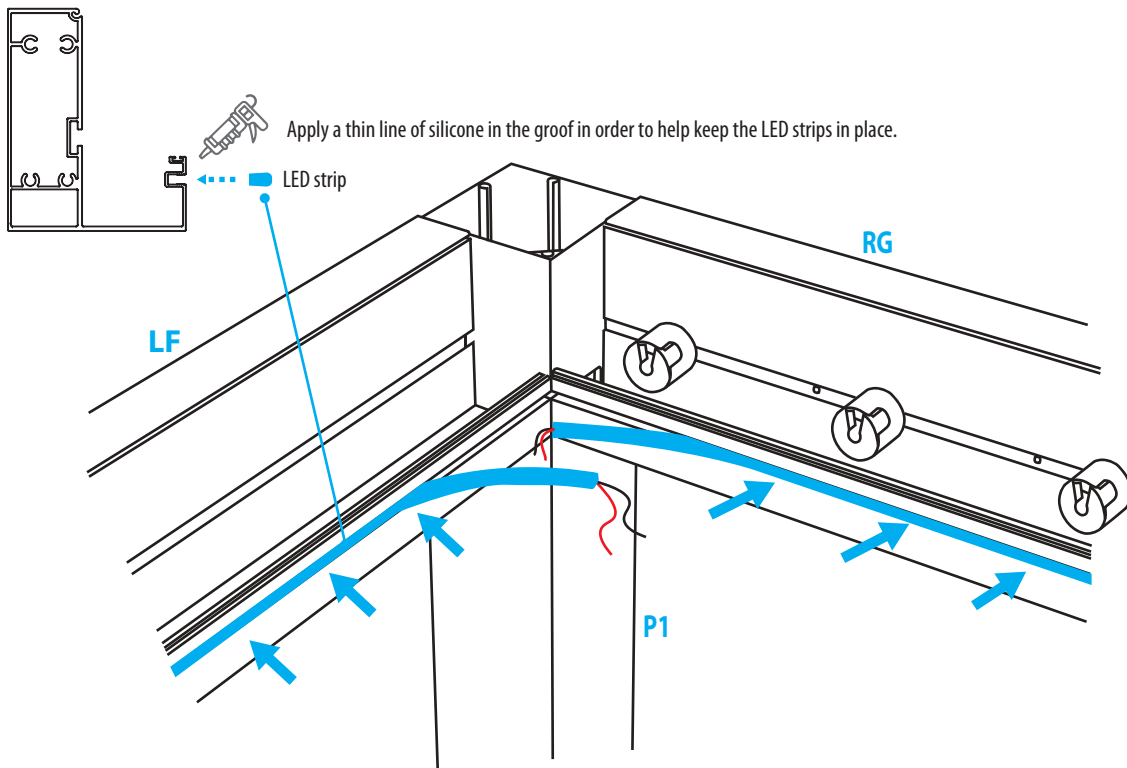
7

Installation (Optional LED lighting)

- 7.1 If your pergola disposes of LED lighting, every LED strip has to be installed in its corresponding groove in order to assure a correct connection. The strips are named to this end: LD + Right Gutter Beam (RG), LI + Left Gutter Beam (LG), LT + Rear Beam (RB), LF + Front Beam (FB).



- 7.2 Insert all the LED strips in their corresponding grooves.

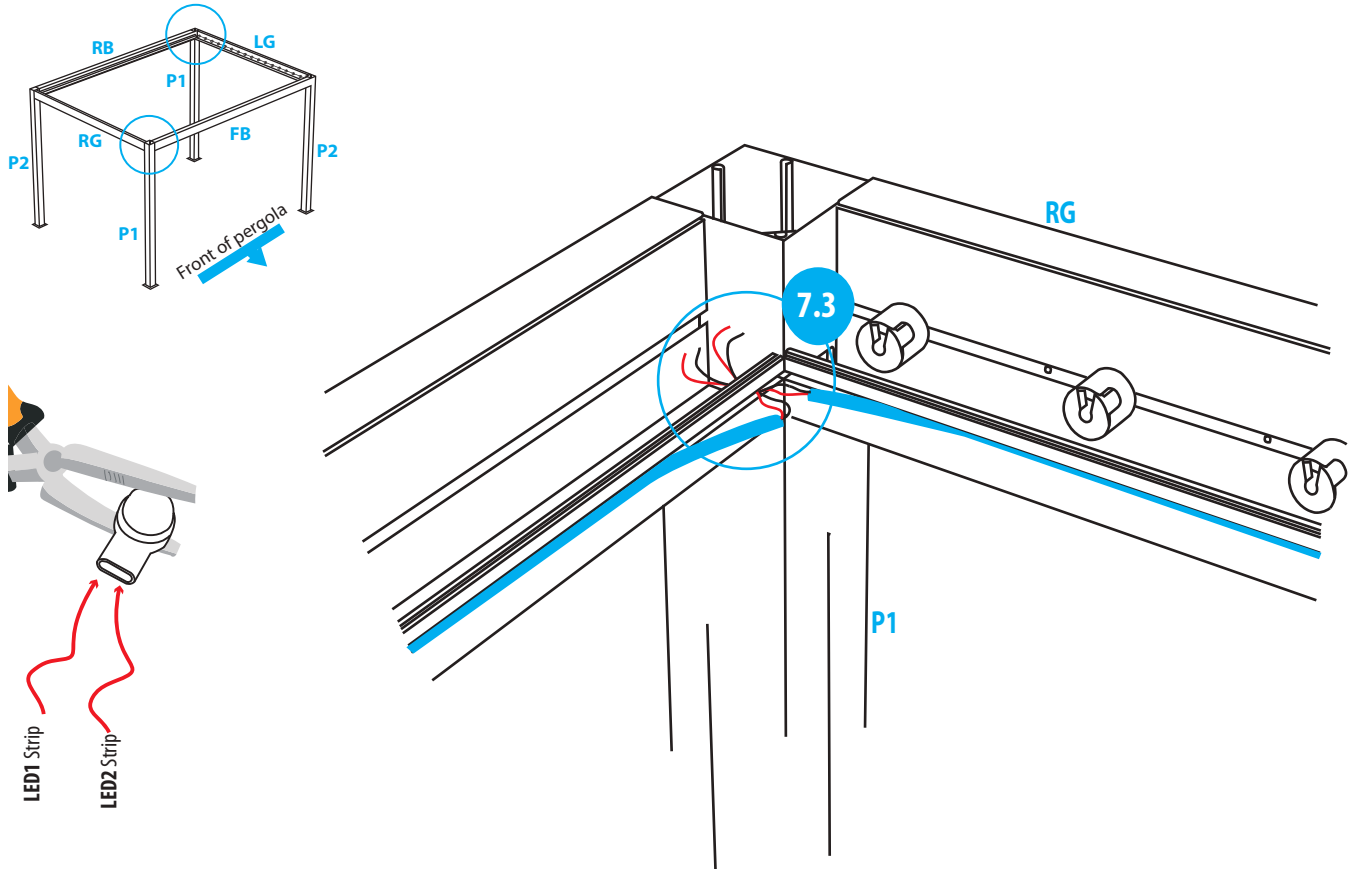


7

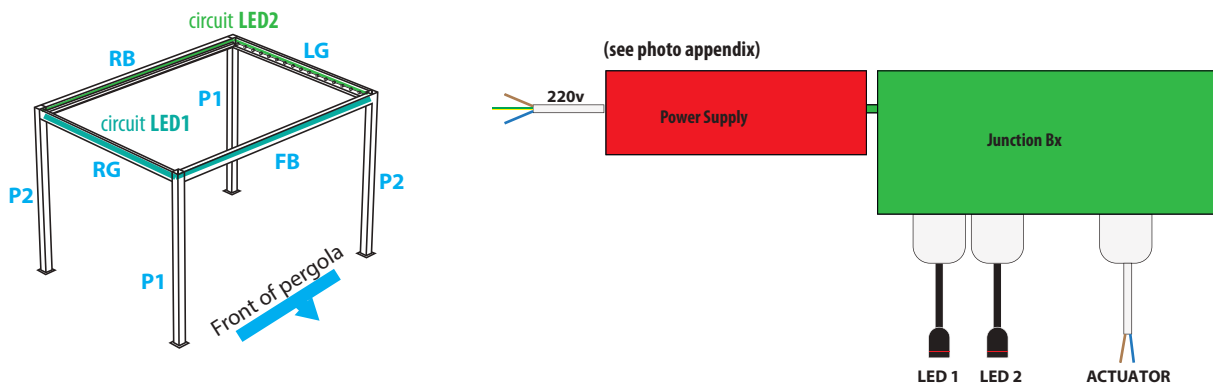
Installation (Optional LED lighting)

7.3 Connection of the LED strips to the junction box: Once the LED strips in place, their connection is carried out with the help of connection clips as described in the following steps:

Pass the cables via the space reserved for this purpose as indicated in the drawing. Carry out this operation next to the two P1 posts (see drawing).



7.4 Connection of the LED lighting to the junction box: After completion of the previous steps, the connection to the junction box situated on the Rear Beam (RB) will be carried out.



7

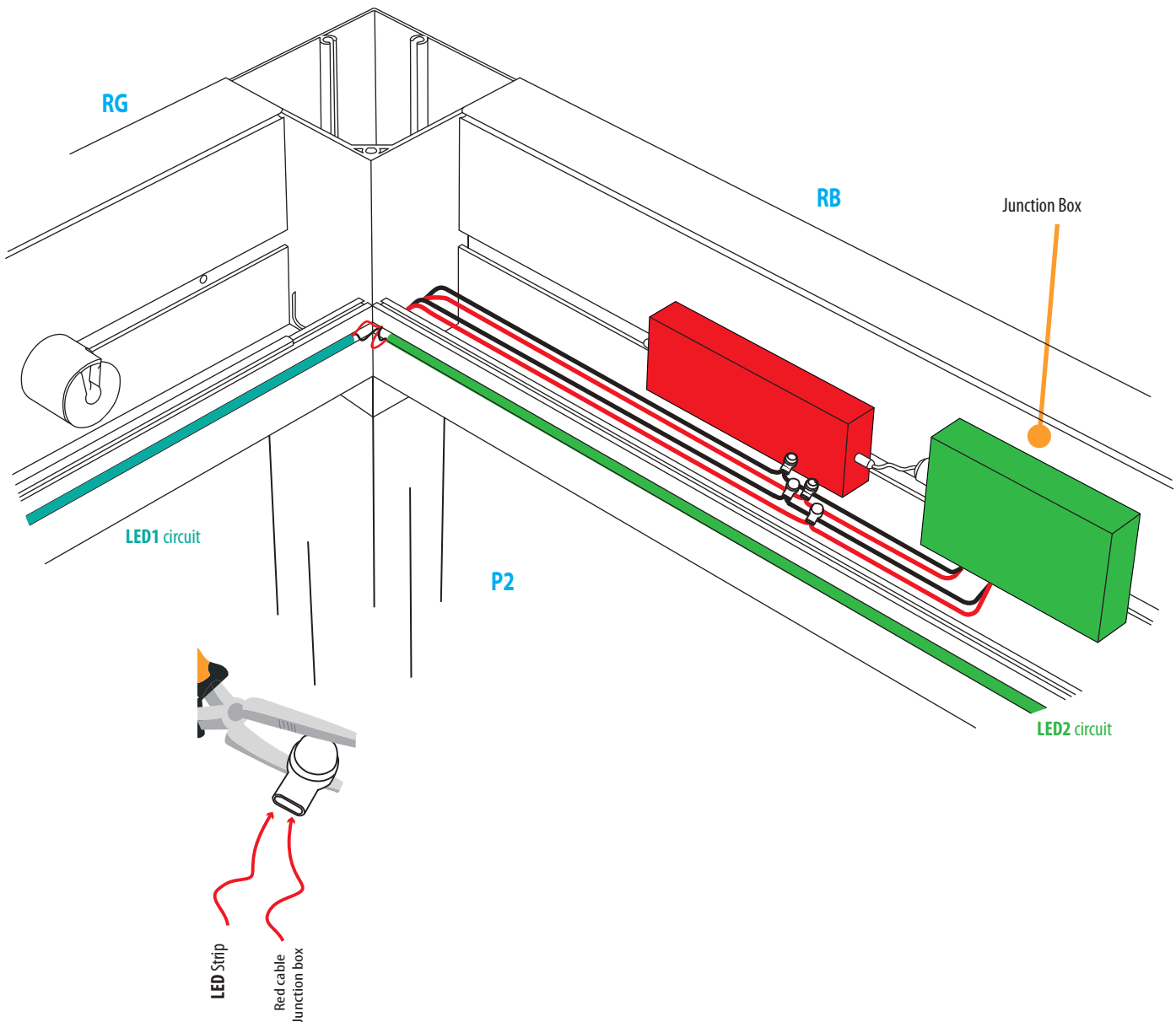
Installation (Optional LED lighting)

7.5

Connect all the LED strips to the junction box, using the splicing connectors which will be closed with a pair of pliers.

The Rear Beam (RB) comes with a space that permits bringing the cables of the LED circuits to the connectors of the junction box.

The LED 1 circuit is connected to the junction box and the LED 2 circuit to the other connection. Always connect the black cable of the LED circuit with the black one of the junction box and the same applies for the two red cables.

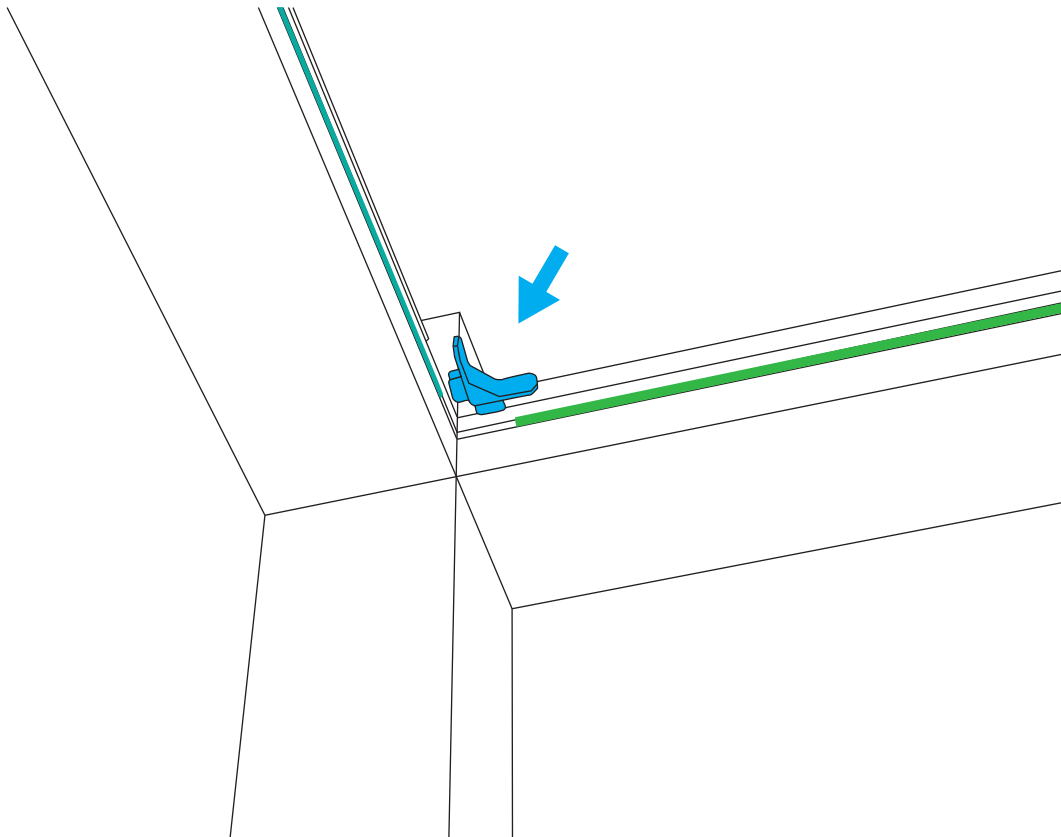
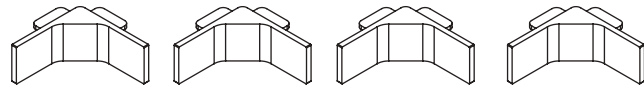
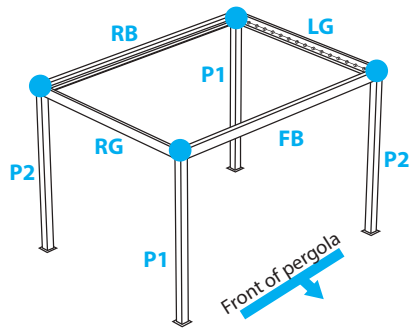


7

Installation (Optional LED lighting)

7.6

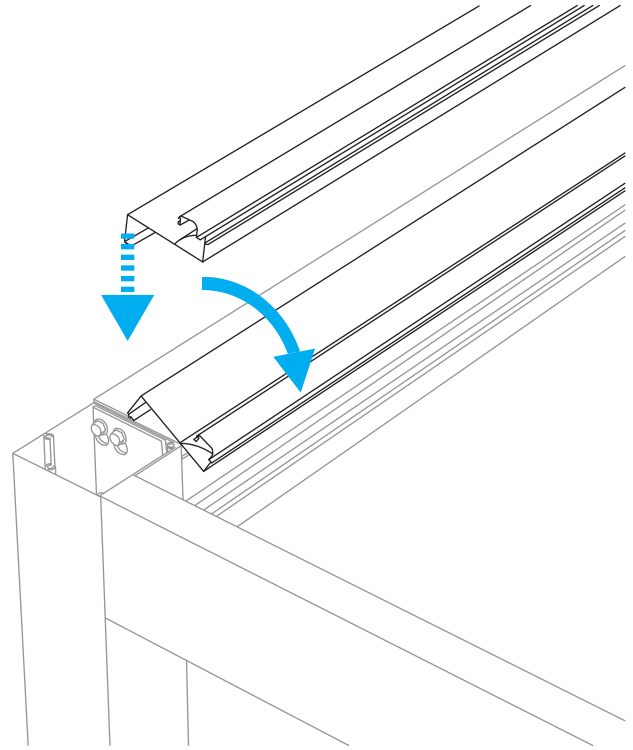
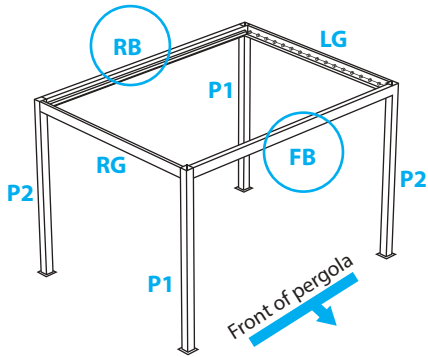
In order to complete the LED lighting installation, place the corner brackets in the 4 corners. This will keep the LED strips in place and avoid water and dust penetrations.



8

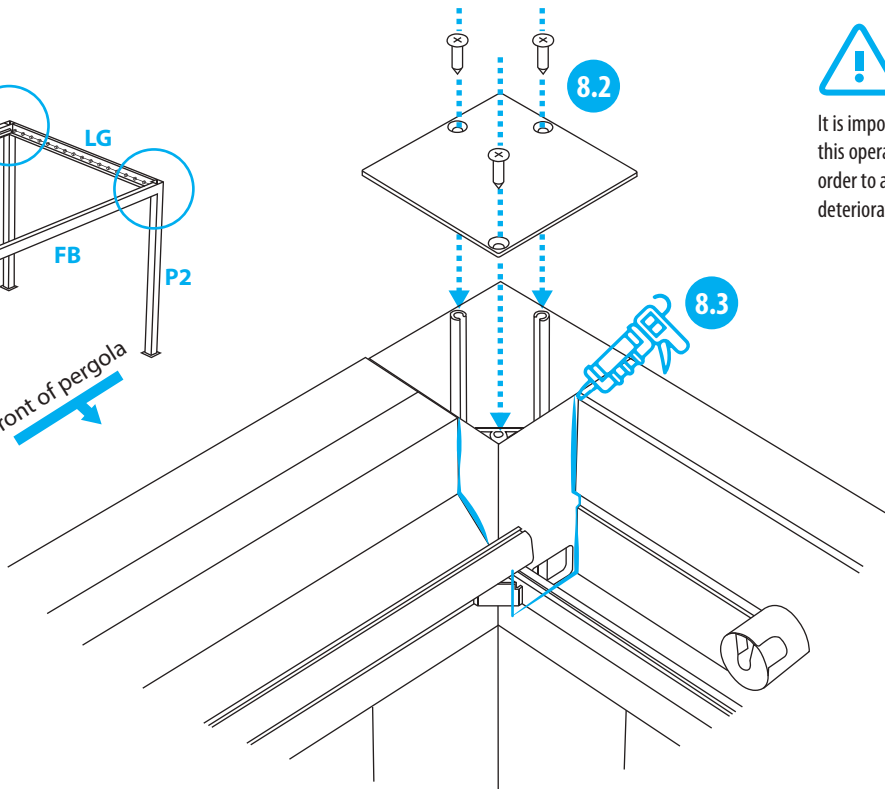
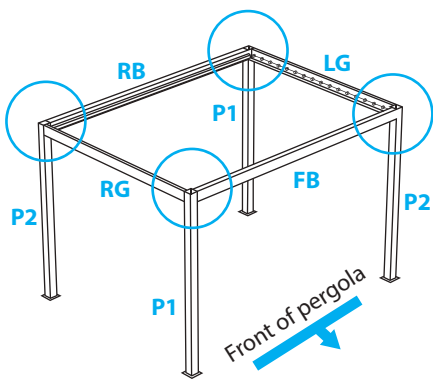
Installation Watertightness of the joints

8.1 Put back the covers of the Rear and Front Beams (RB & FB).



8.2 Position the post covers and screw them firmly into their place.

8.3 Seal the joints between the different profiles using neutral transparent silicone (not included) in order to avoid water infiltrations.



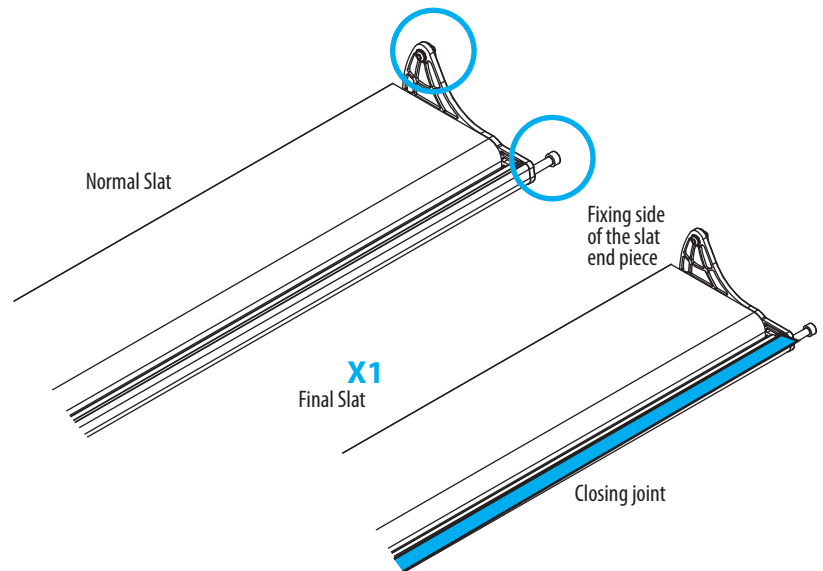
It is important to carry out this operation thoroughly in order to avoid the deterioration of the pergola.

9

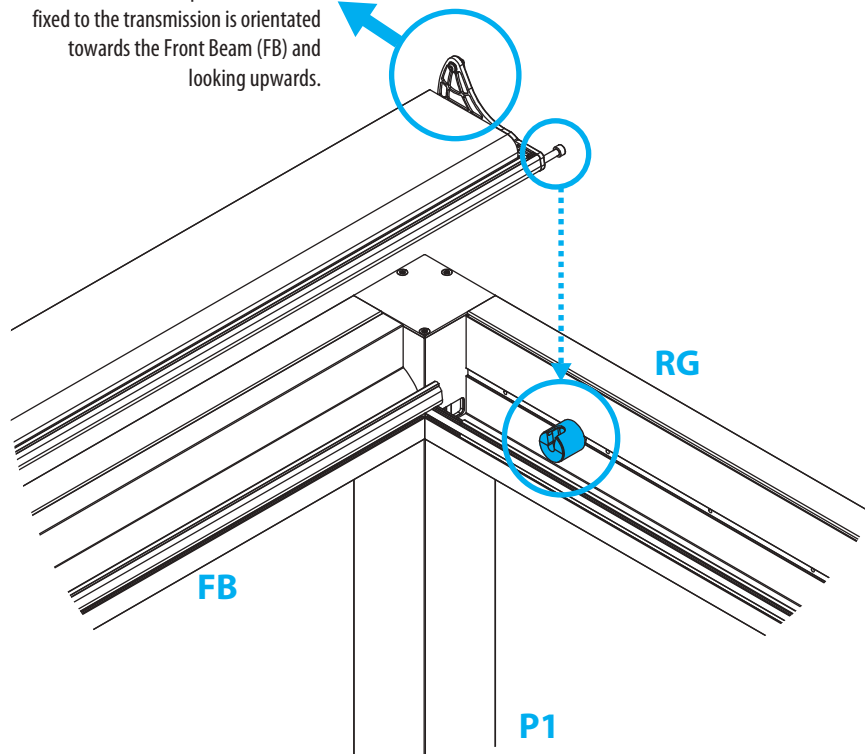
Installation Slats

9.1

Position the slats as indicated in the drawing, making sure that they are correctly orientated.



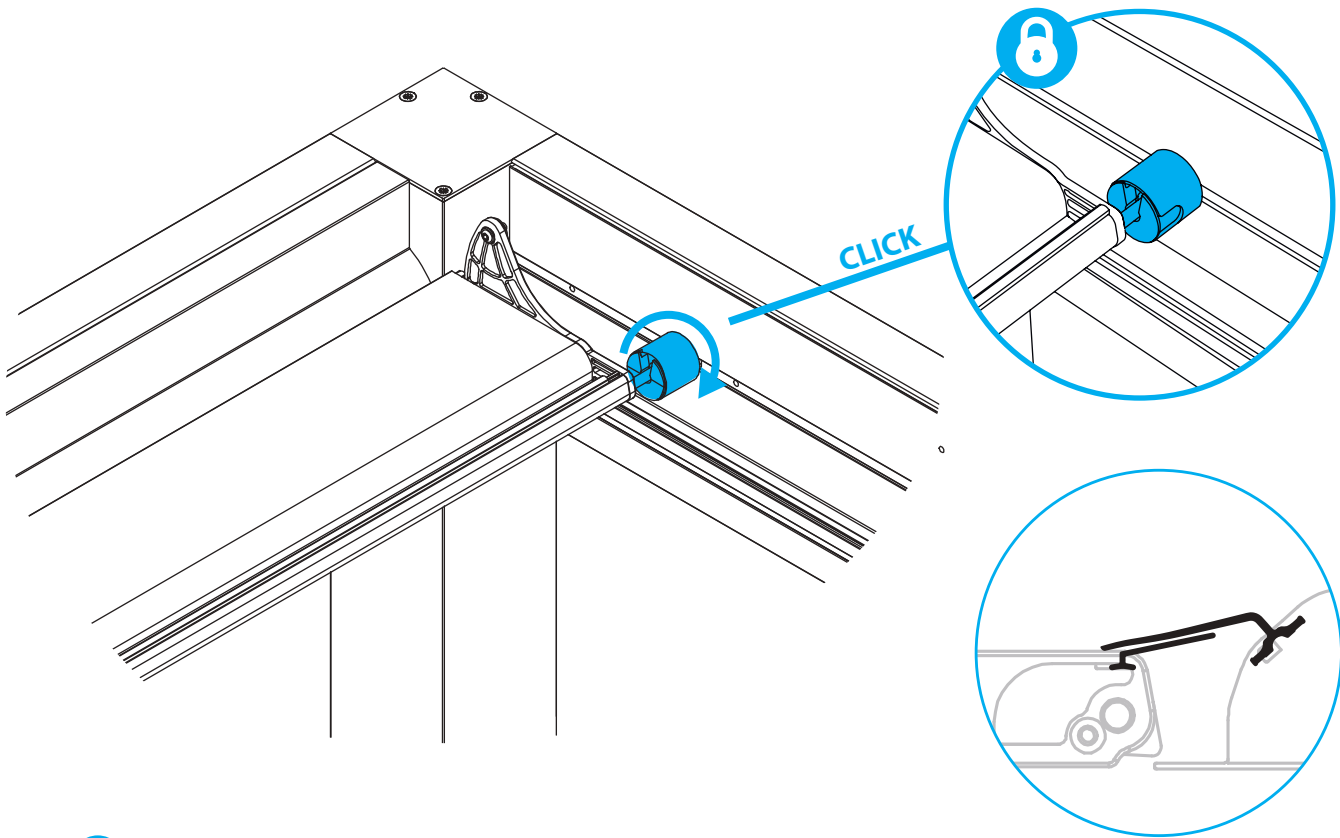
The side of the slat end piece that will be fixed to the transmission is orientated towards the Front Beam (FB) and looking upwards.



9

Installation Slats

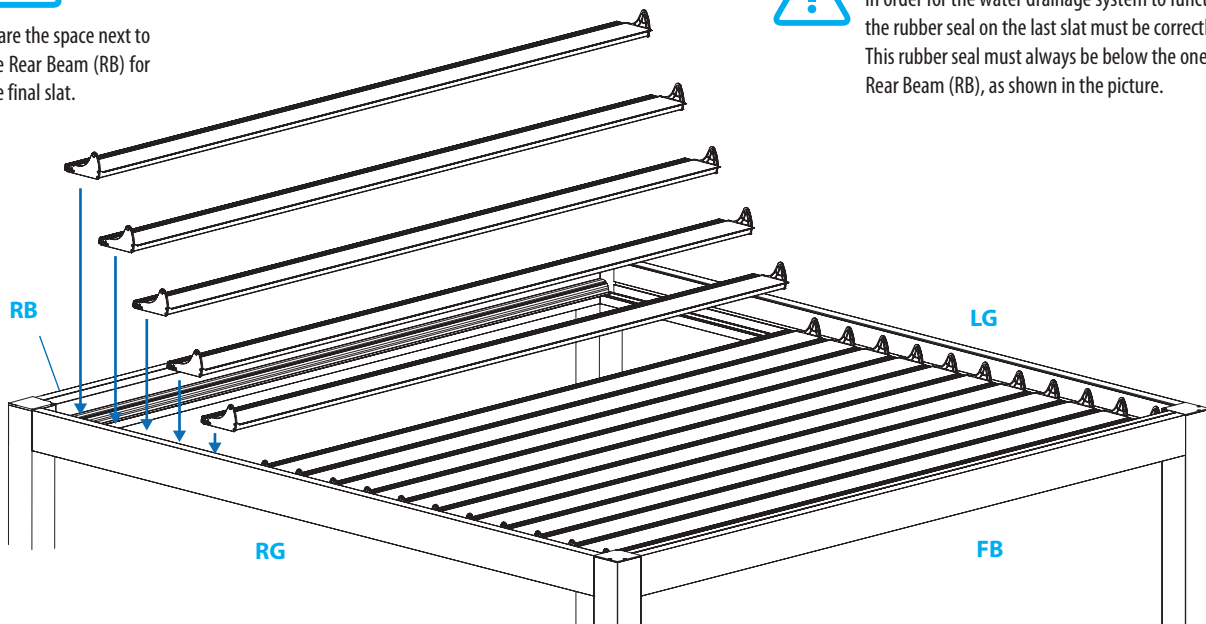
9.2 Turn the fixing piece as indicated in the drawing in order to fasten the slat to the frame of the pergola.



9.3 Carry out this operation with every slat, starting with the side of the Frontal Beam (FB), and working your way towards the Rear Beam (RB).



Spare the space next to the Rear Beam (RB) for the final slat.



Information on the rear closure:

In order for the water drainage system to function correctly, the rubber seal on the last slat must be correctly positioned. This rubber seal must always be below the one located on the Rear Beam (RB), as shown in the picture.

10

Installation Transmission bar

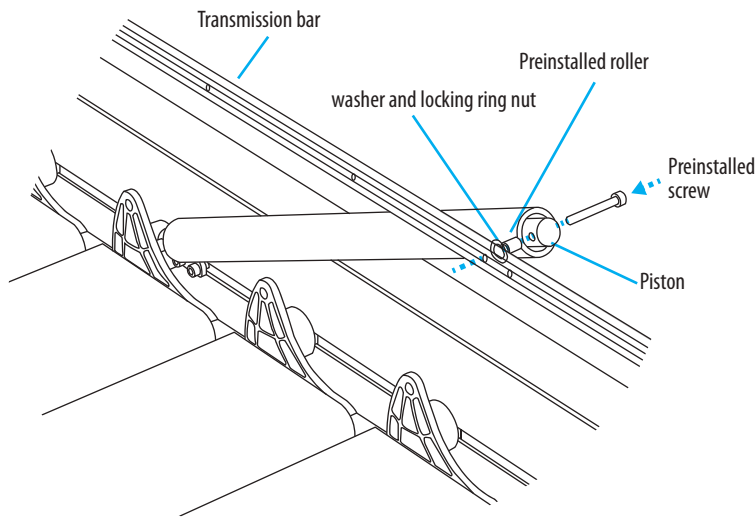
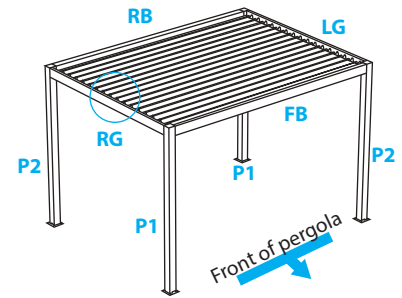
10.1

Connection of the motor transmission bar:

The motor piston is situated in the internal part of the Right Gutter beam (RG). Correctly position the transmission bar: on one side, it has various holes for the slat connection; on the other side, a single hole for the piston connection. Carry out the connection of the piston and the transmission bar using the preinstalled screw as indicated in the drawing.

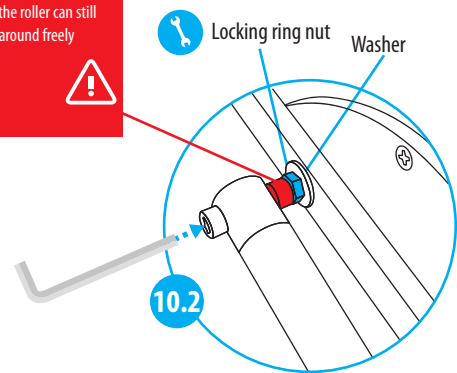


The jxying mechanism has a locking ring nut which keeps the screw in place during the repeated movements of the motor. Install with an Allen spanner and an open-end spanner for fastening the screw and locking ring nut in such a way that the roller can still freely turn around (see drawing).



Roller



Fasten in such a way that the roller can still turn around freely

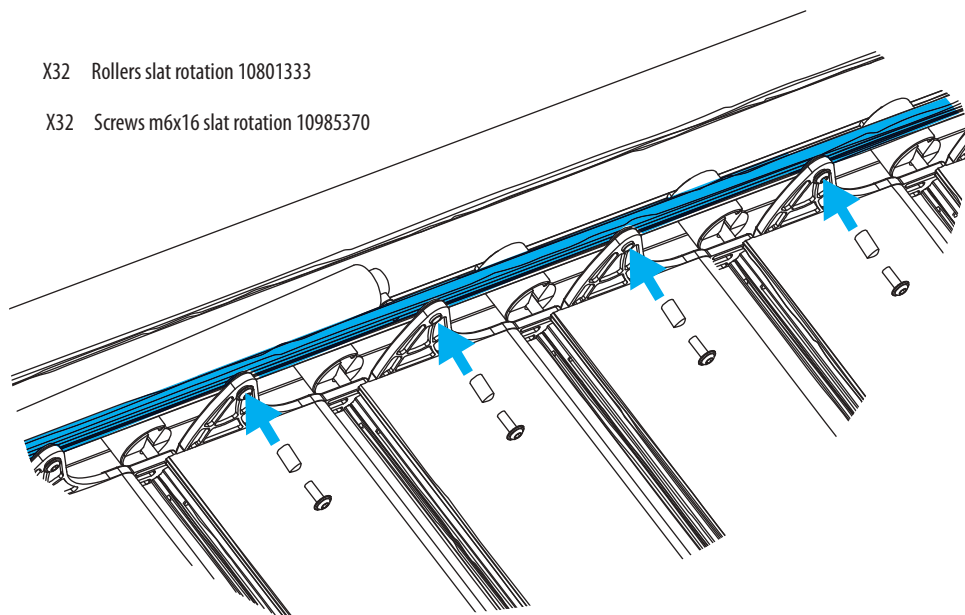


10.2

Connection of the transmission bar to the slats:

Position the transmission bar in such a way as to connect the slats to the rollers and screws (included), as indicated in the drawing. Carry out this operation on both the Right Gutter & Left Gutter beams (RG & LG).

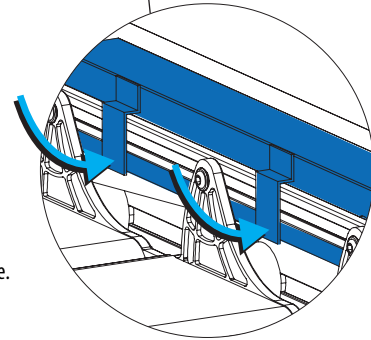
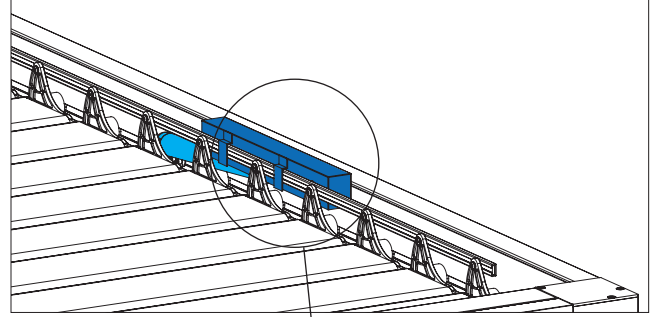
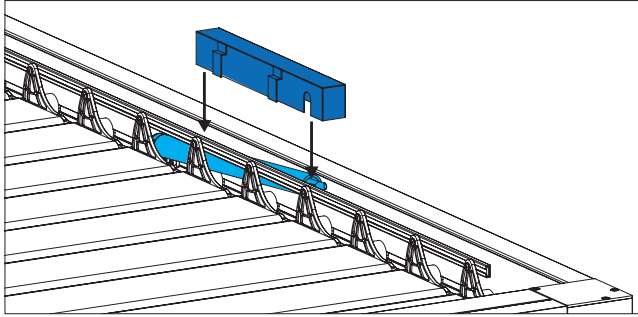
-  X32 Rollers slat rotation 10801333
-  X32 Screws m6x16 slat rotation 10985370



10.3

Fitting the motor's protective casing:

To prevent water from entering the motor, fit on the guard, leaving the rounded slot at the junction of the motor and the transmission rod.



Mounting:

Tighten the mounting pins to prevent the casing from accidentally slipping out of place.

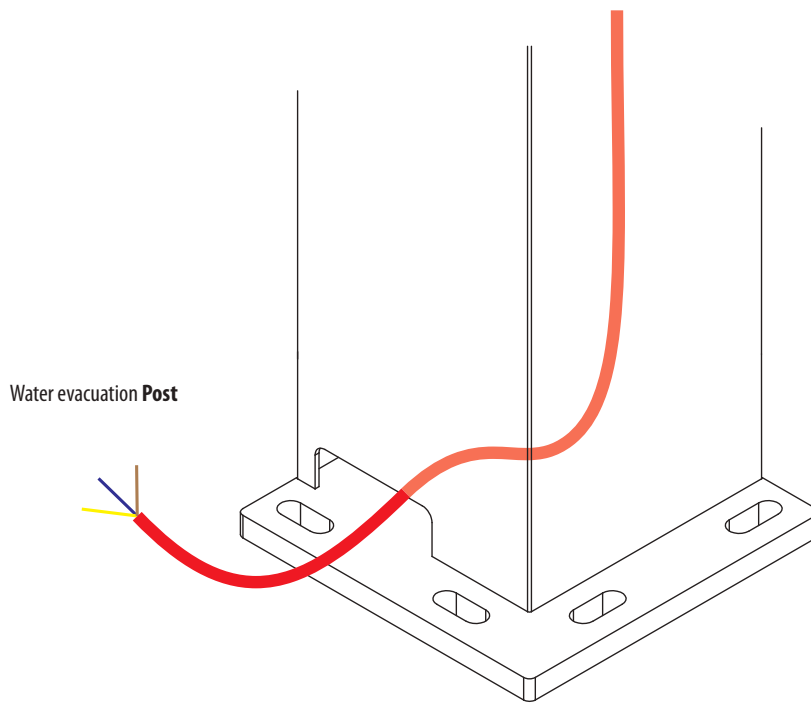
Installation

connection and checks

11.1

Connection to the AC power supply:

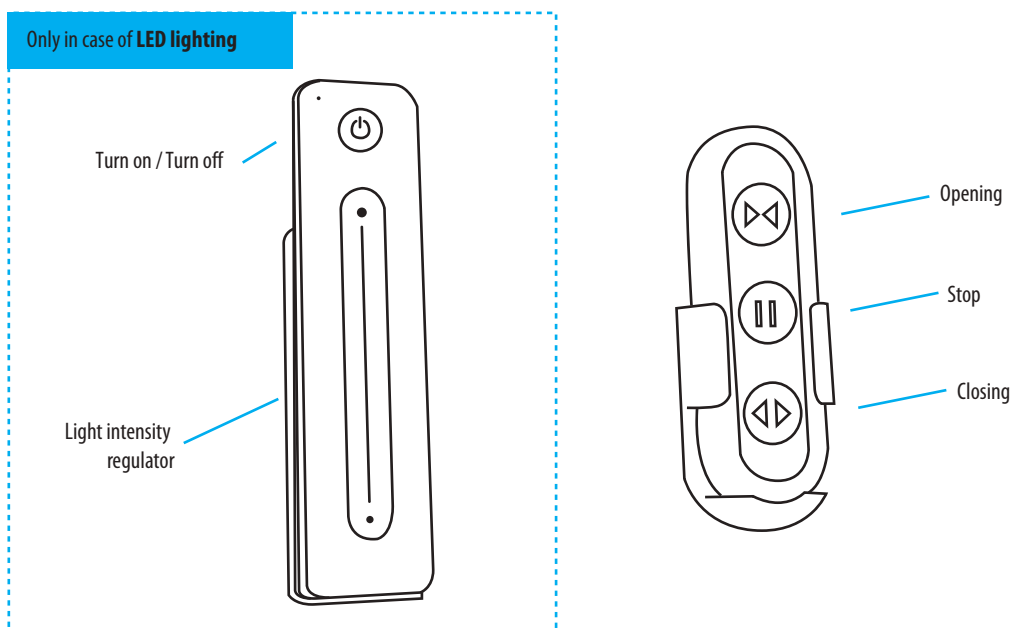
By means of the hole drilled in point 6.3, the pergola can be connected to a socket and the operation of the pergola can be checked.



11.2

Checking the proper functioning:

Check the correct opening and closing of the roofsats. If the pergola is equipped with LED lighting, also check its smooth operation.



Tips and maintenance



ASSEMBLY

In order to assure the smooth operation and durability of the pergola, we recommend a maintenance at least once a year, or more frequently if the pergola is exposed to aggressive climate conditions.

In order to prevent corrosion, we recommend cleaning the frame (gutter beams, front and rear beams, posts) with a neutral detergent at least once a year, or more frequently if the pergola is exposed to aggressive climate conditions (coastal zones, industrial & urban zones with a lot of suspended dust particles in the air, etc).

Rinse thoroughly with water after cleaning in order to avoid salt formation on the surface of the frame of the pergola.

By eliminating exogenous agents capable of attacking the finish and aluminium frame, a thorough and periodic cleaning extends the life of the frame and the aesthetic look of the pergola.

After heavy rain, do not open the slats to the maximum, but only open the slats at 45° for one minute to allow the excess water to drain away.

This will prevent any water that has accumulated on the slats from falling inside.

Appendix

Remote Control



Appendix

Standard Junction Box



Appendix

Junction Box with LED lighting



Contact information

Austria



Belgium



Croatia



Denmark



Estonia



Finland



France



Germany



Ireland



Italy



Latvia



Lithuania



Nederland



Norway



Poland



Portugal



Spain



Sweden



Switzerland



UK

