

**DANCOVER<sup>®</sup>**

**.com**

Manual  
for  
Gazebo San Francisco  
3,65x4,85m

# DANCOVER<sup>®</sup>

.com

## Safety Advice

### Attention

In some countries approval is needed to set up a marquee/tent larger than 75 m<sup>2</sup>. It is your responsibility to comply with local rules and regulations and to ensure that the marquee/tent is assembled correctly.

In case of bad weather conditions, it is your responsibility to ensure the marquee/tent is safely secured and that the marquee/tent does not cause damage to others.

Do not use open fire, welding equipment or other sources which can ignite, inside or close to the tent.

The marquee/tent must be safely secured. We recommend you secure your marquee/tent with straps and pegs as soon as it is assembled.

Make sure to check if the marquee/tent is covered by your home contents insurance.

Marquees/tents must be evacuated under extreme weather conditions.

In the event of snow, always remove snow from the roof of the marquee/tent regularly to prevent snow from building on the roof, as heavy snow can cause the marquee/tent to collapse.

In the event of rain, there is a risk of rain puddles building up on top of the roof of the marquee/tent. Heavy rain puddles can cause the roof to collapse. It is your responsibility to ensure rain puddles do not build up. As a precaution, make sure the roof of the marquee/tent is stretched out properly and adequately over the side frames of the marquee/tent and remove rain water regularly.

Do not unpack or repack your marquee/tent in freezing temperatures. In case of temperatures below zero, always unpack and repack your marquee/tent indoors to avoid the risk of cracking parts.

The marquee/tent must be totally dry before you repack and store it to avoid mildew.








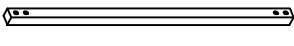






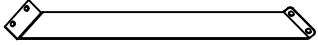

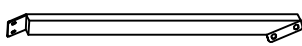





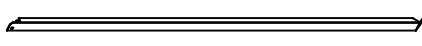

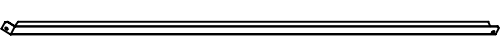

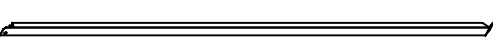
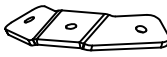
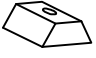

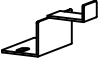
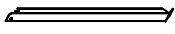




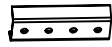


**Note:** Marquees are intended for events and other arrangements and are as such only meant for short term temporary assembly and the following disassembly. Dancover warranty applies only to the normal use of the Product, normal wear and tear excepted, in accordance with written use instructions or manual. The warranty does not apply to damage caused by accident, abuse, misuse, or modification of the Product.

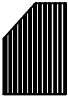

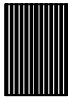
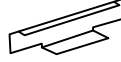
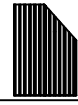
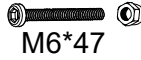

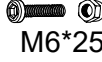







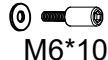
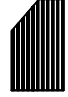

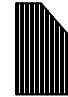


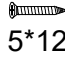




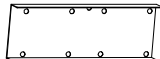
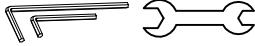

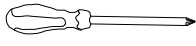
### Warranty Information

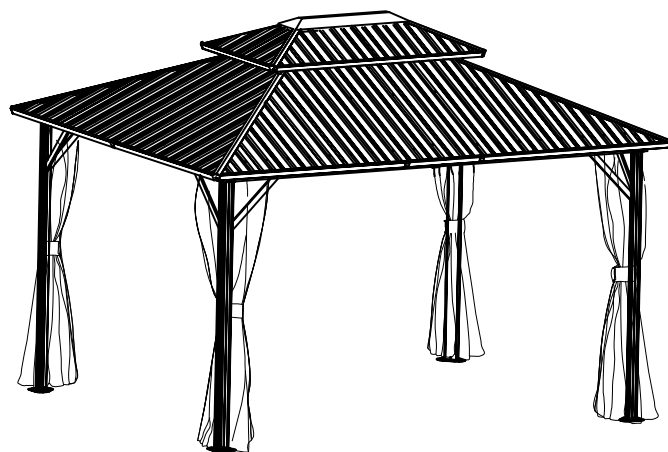
Please visit [dancovershop.com](http://dancovershop.com) for information on warranty.

*Please always check our website for the latest safety advice and manual.*

# Part list for gazebo 3, 65x4, 85m

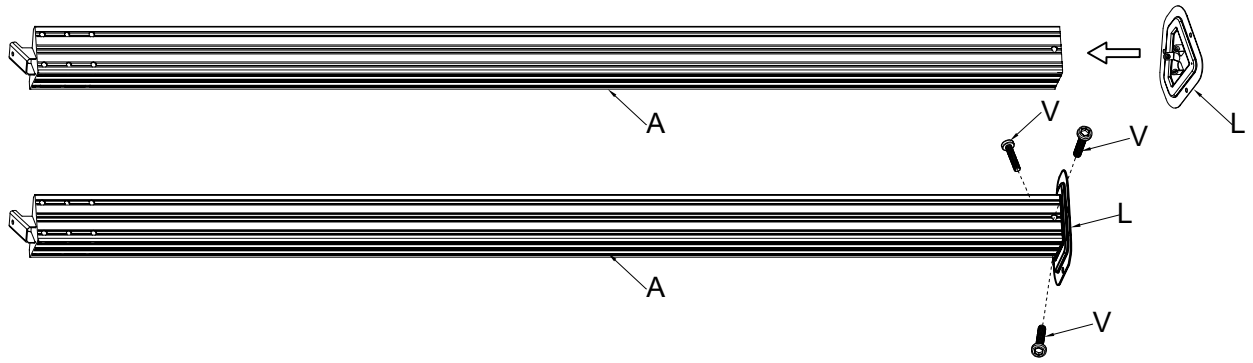
A		4	H		4
B		2	H1		4
B1		2	H2		2
C		2	H3		2
C1		2	I		4
D		6	J1		4
E		4	J2		4
F		4	K		1
F1		4	K1		1
G		6	L		4
G1		2	M1		10
G2		2	M2		8
G3		2	M3		6
G4		2	M4		4
G5		2	M5		96
G6		2	M6		4
G7		2	M7		2
G8		2	M8		4
G9		2	M9		4
G10		2	N1		2

N2		2	R		72
N3		2	R1		20
N4		2	S		14
N5		2	T		82
N6		2	U		1
N7		2	U1		4
N8		2	V		148
01		2	X		32
02		2	X1		8
03		2	W		10
04		2	Y		64
05		2	Z		1
06		2	Z1		1
P		4			1
Q		96			1

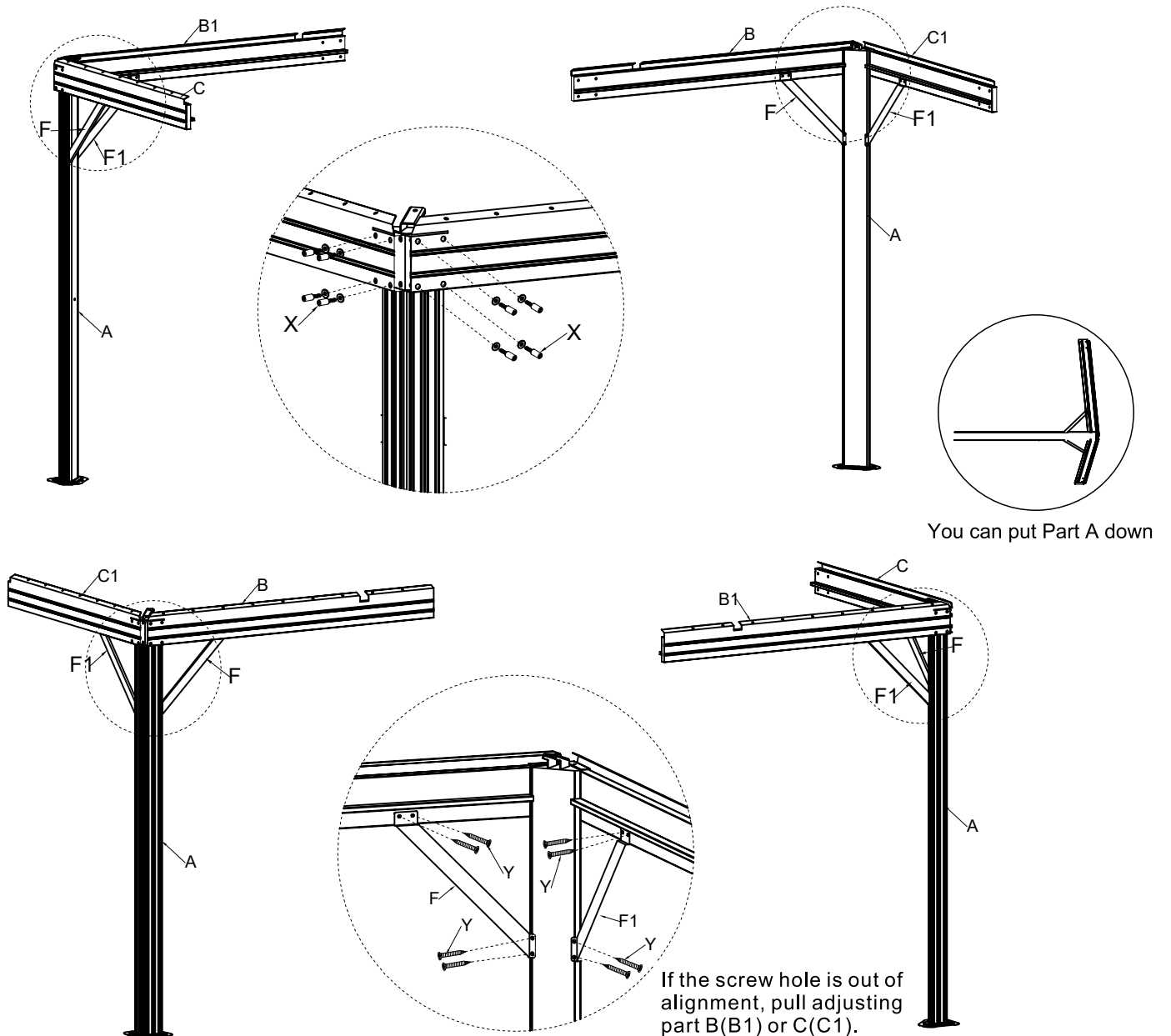


STEP 1: Attach Foot Base ( Part L) to the Pillars (Part A)

STEP 1

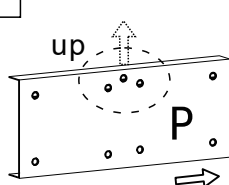


STEP 2

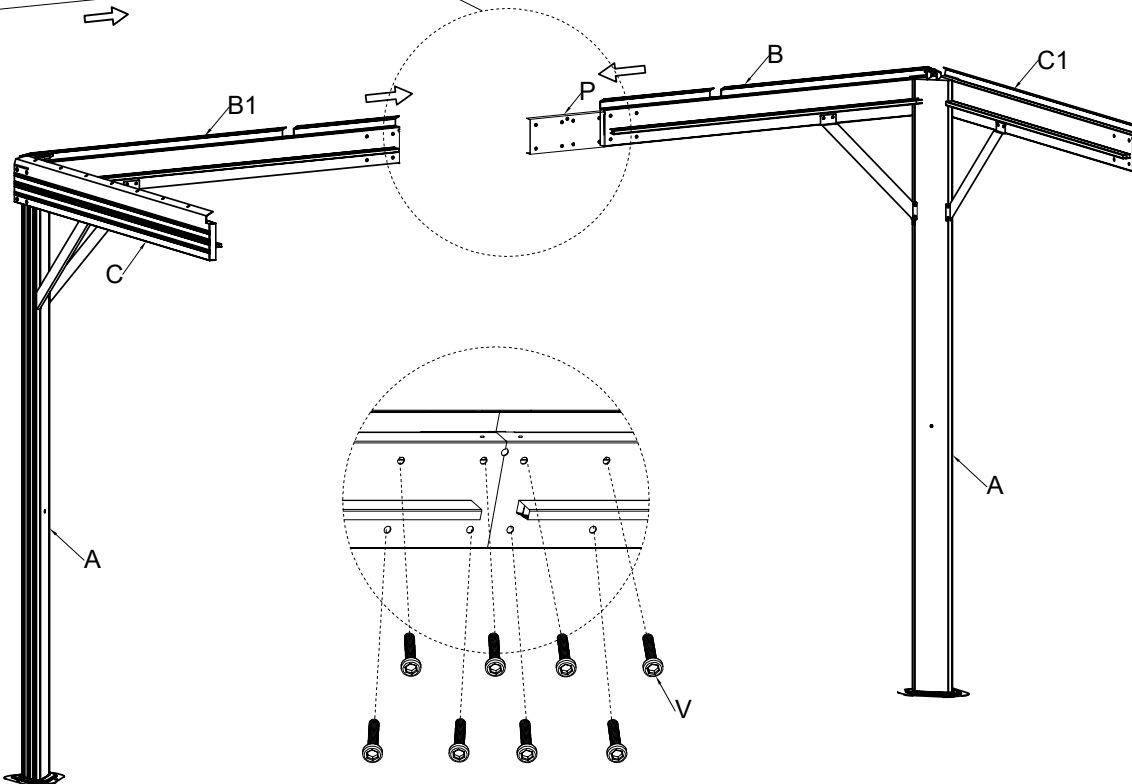


STEP 2: Attach Crossbeams 1 (Part B) and Crossbeams 4 (Part C1) to Pillars (Part A) . Attach Support Brackets ( Part F and F1) to Crossbeam and Pillar. Attach Crossbeams 2 Part B1) and Crossbeams 3 (Part C) to Pillars (Part A). Attach Support Brackets (Parts F and F1) to Cross Beam and Pillar

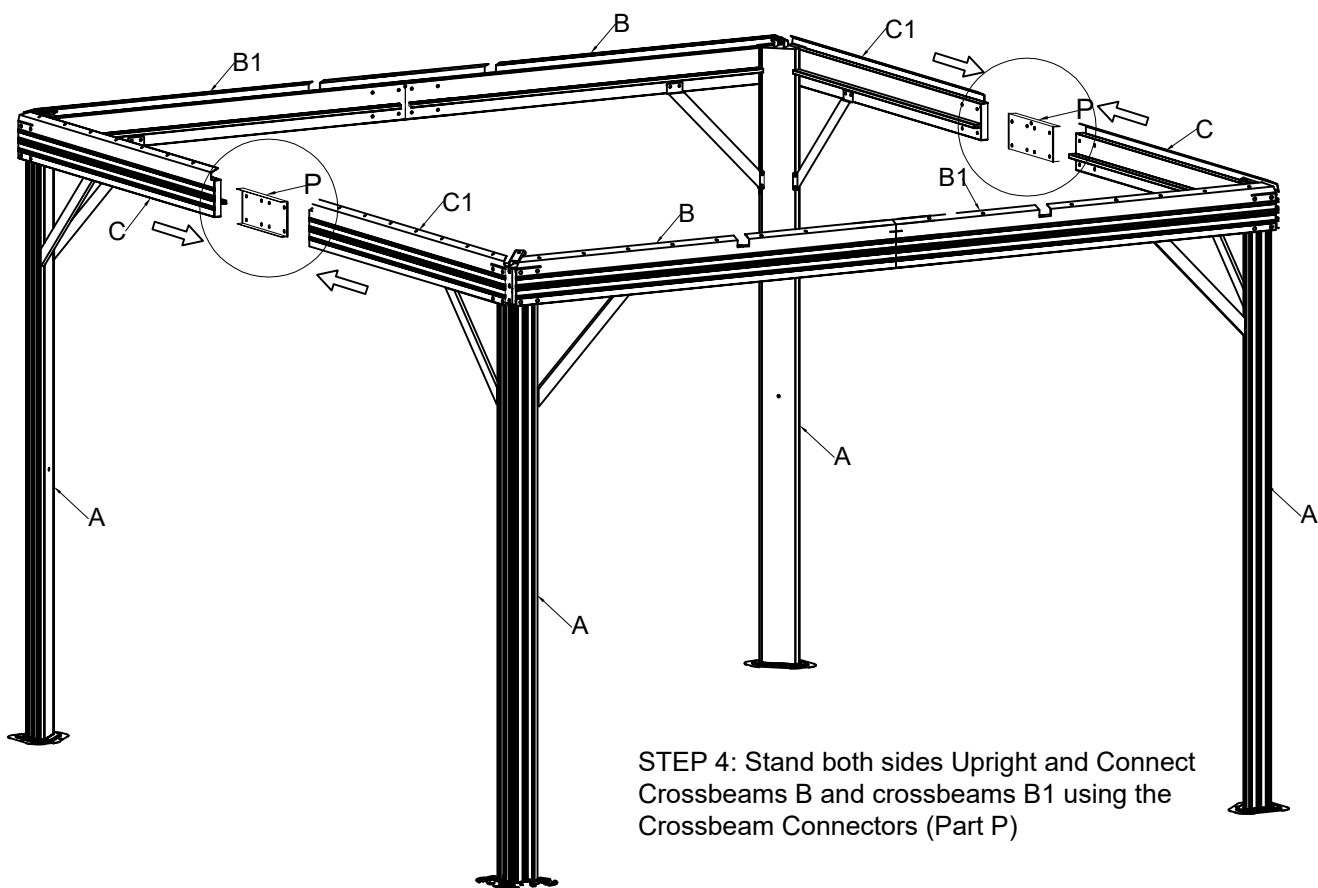
### STEP 3



STEP 3: Connect the longer Crossbeams B and B1 using Crossbeam Connector (Part P)  
Note: After sliding the Crossbeam Connector (Part P) into a crossbeam you should start one bolt to hold the Crossbeam Connector in place.

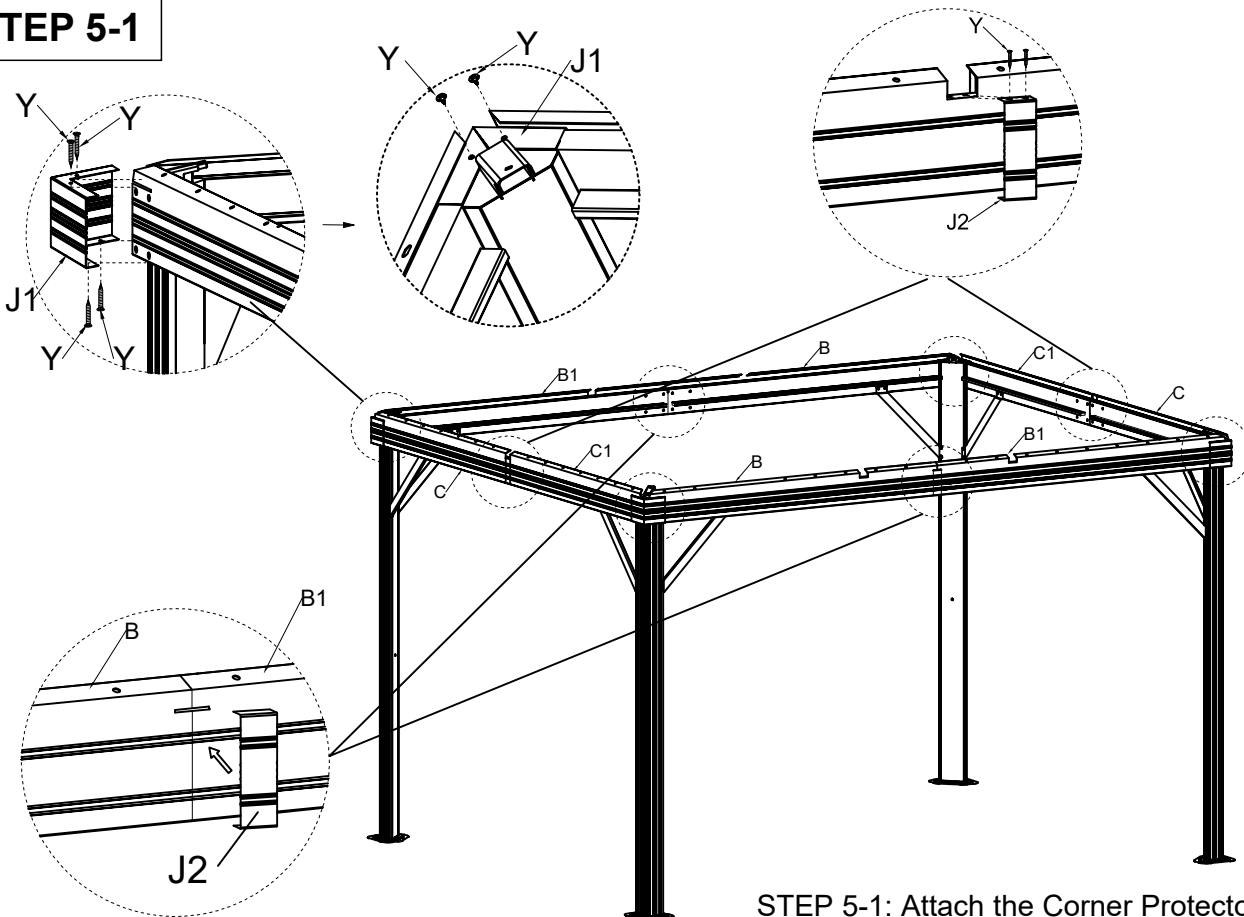


### STEP 4



STEP 4: Stand both sides Upright and Connect Crossbeams B and crossbeams B1 using the Crossbeam Connectors (Part P)

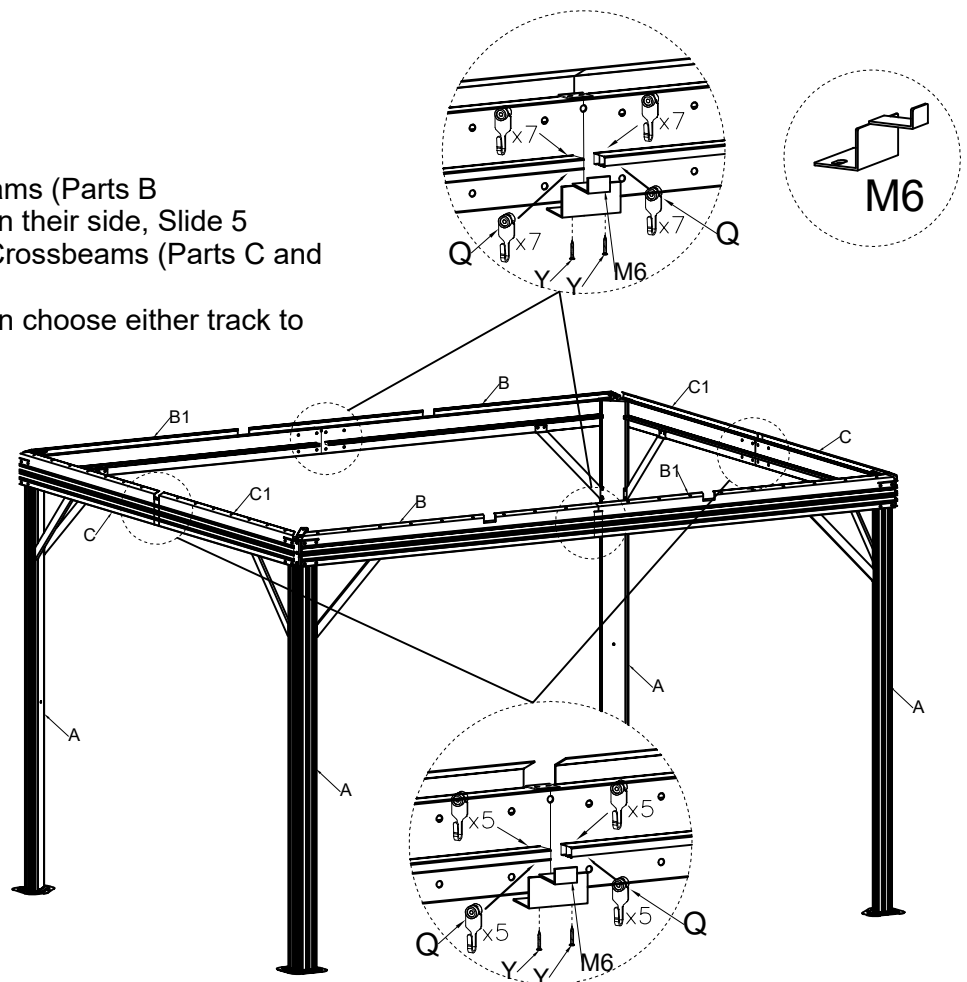
## STEP 5-1



STEP 5-1: Attach the Corner Protectors (Part J1) and the Rib Supports (Part J2) Just twist the top two screws of (Part J2)

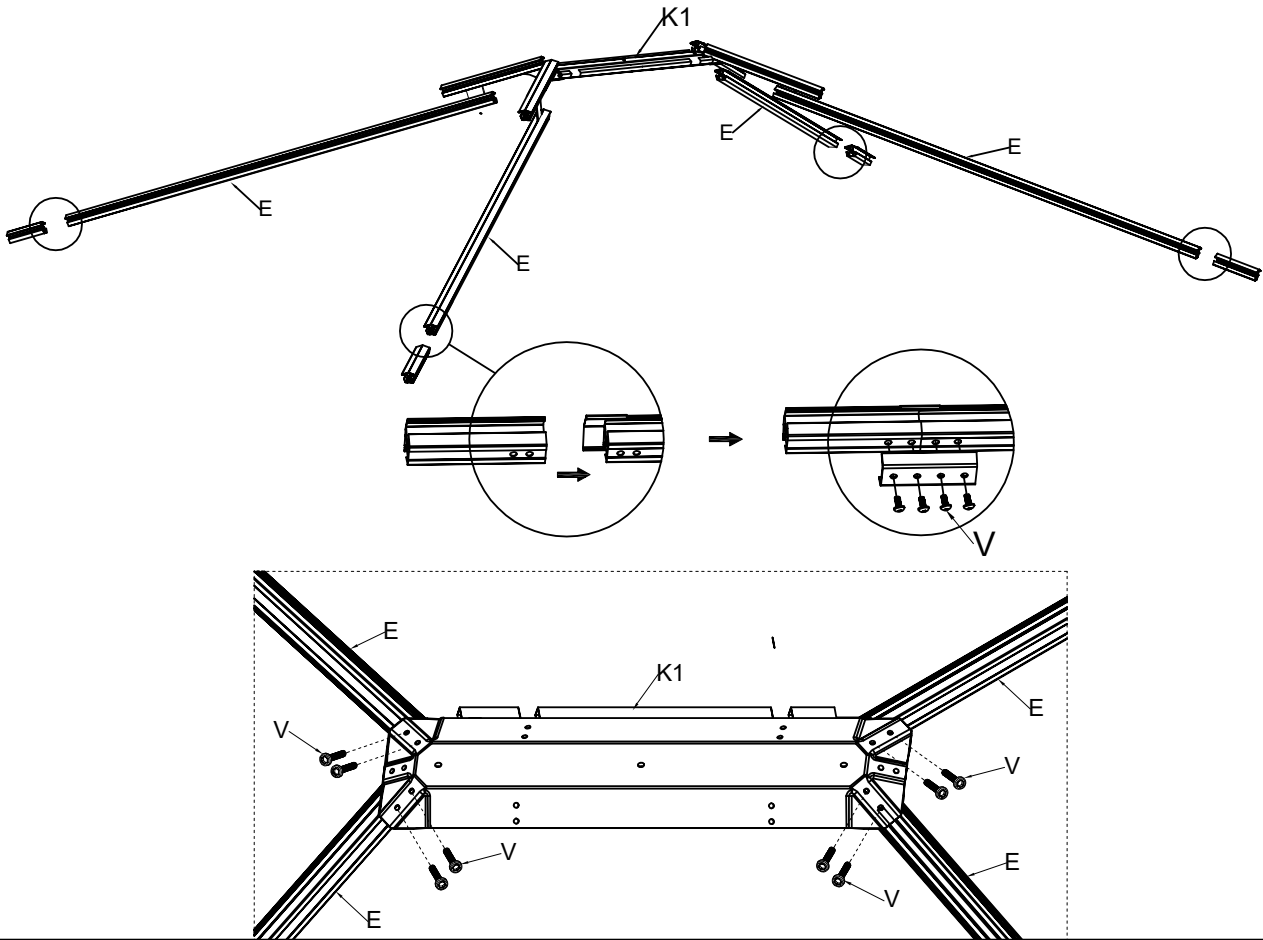
## STEP 5-2

STEP 5-2: Slide 7 Netting Hooks (Part Q) into Long Crossbeams (Parts B and B1). With the sections laying on their side, Slide 5 Netting Hooks (Part Q) into Short Crossbeams (Parts C and C1). Then Attach (Part M6)  
Note: There are two tracks. You can choose either track to install Part Q



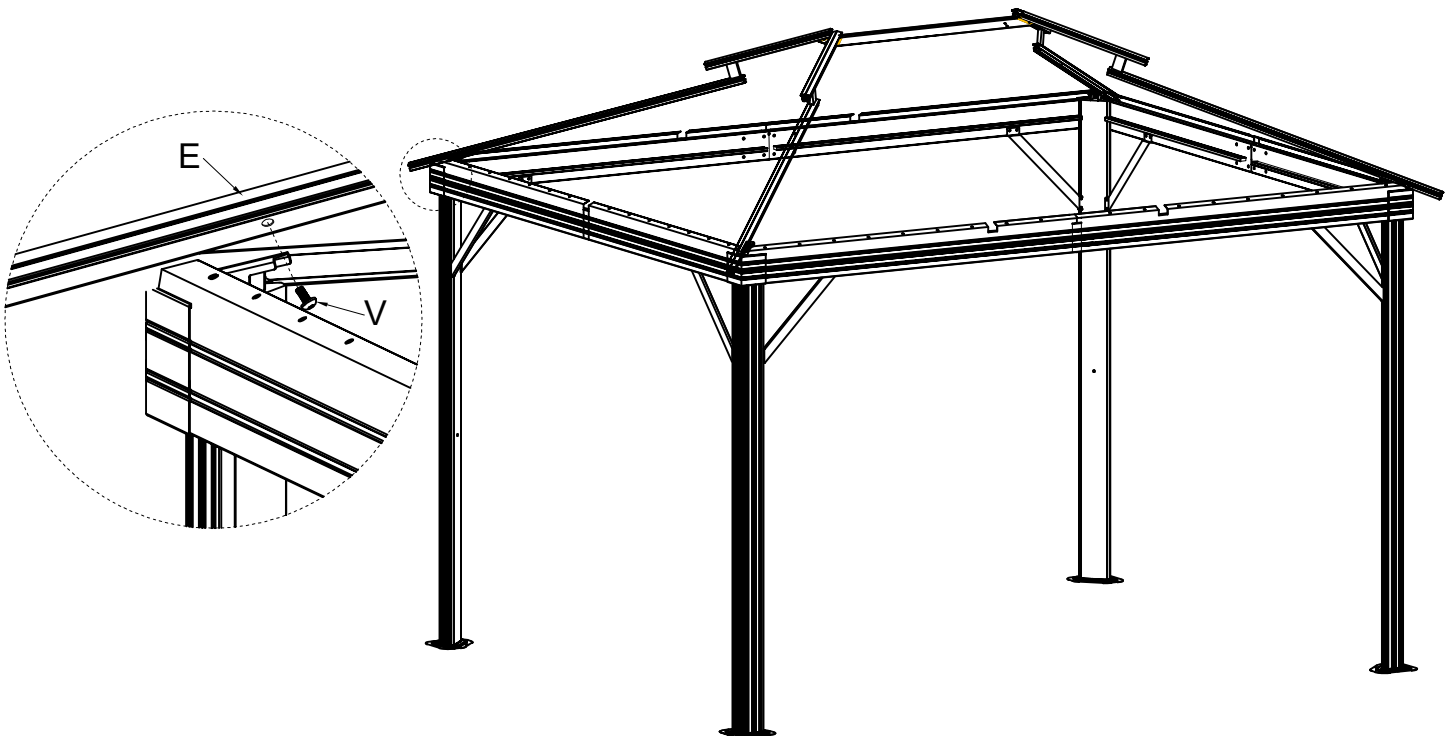
## STEP 6

STEP 6: Assemble the Roof Frame by Attaching the Roof Ribs Long (Part E) to the Roof Top Brace (Part K1).



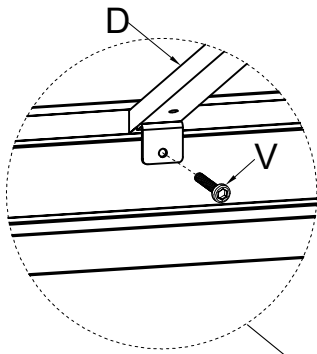
## STEP 7

STEP 7: Lift the Partially assembled Roof on to the assembled Frame and attach.

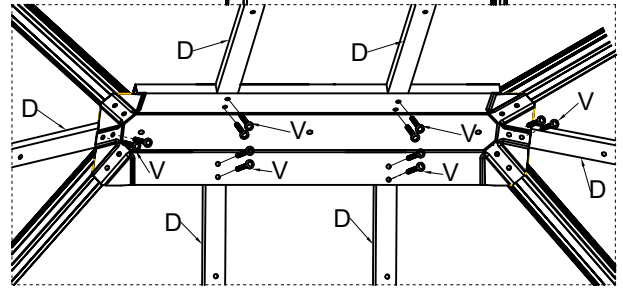
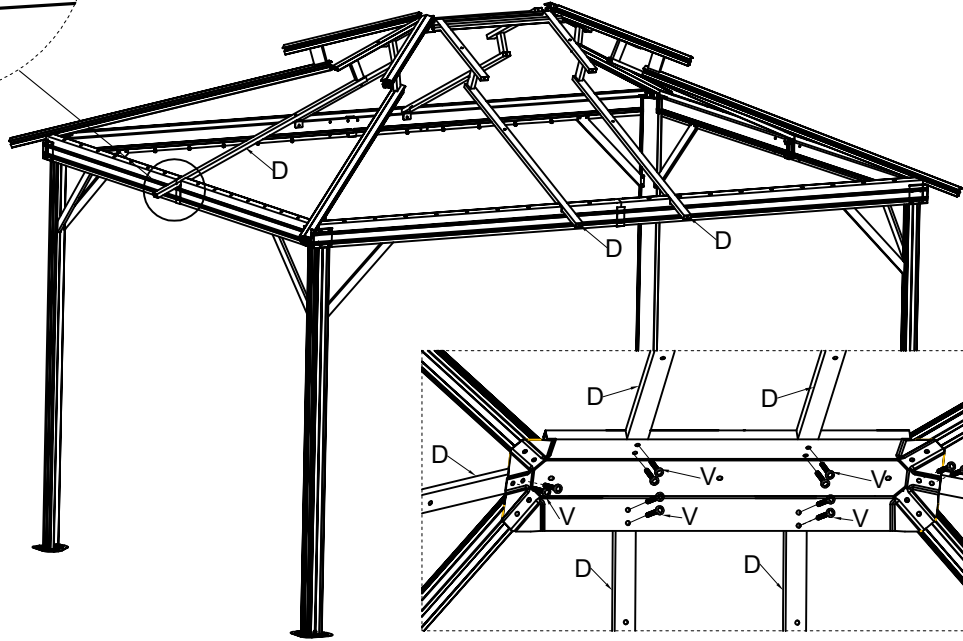




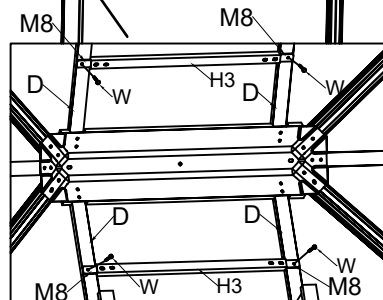
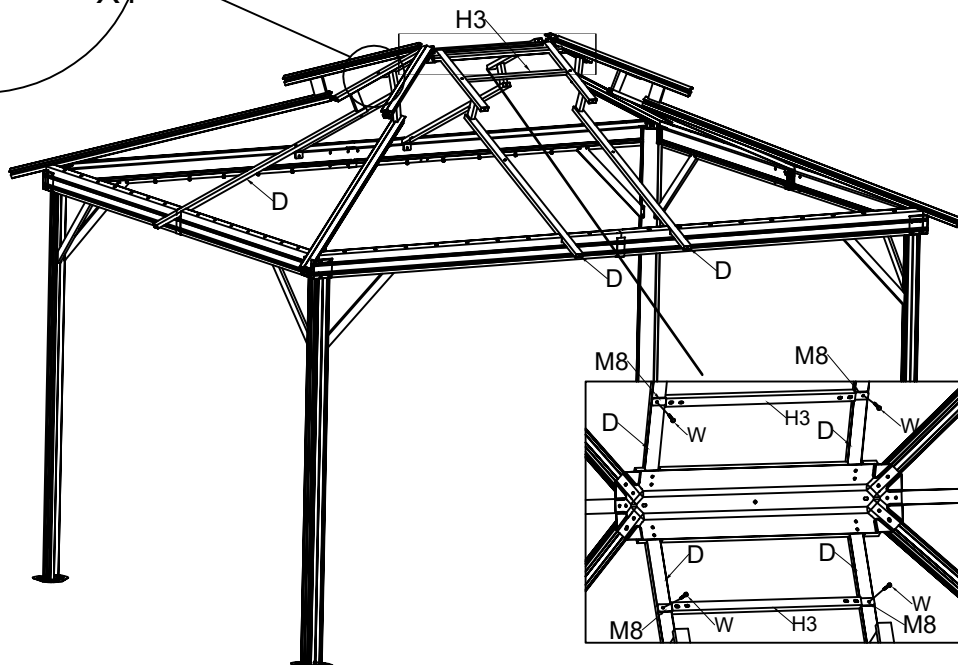
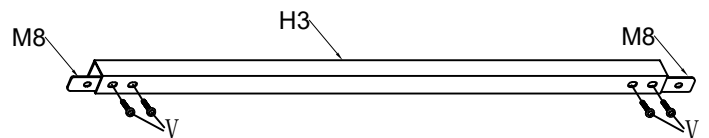
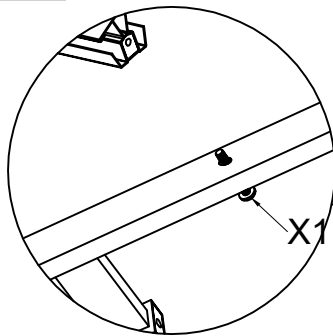
## STEP 8



STEP 8: Attach the Roof Ribs Short (Part D) to the Roof Top Brace (Part K1). Attached the Roof Ribs Short (Part D) to the assembled frame.

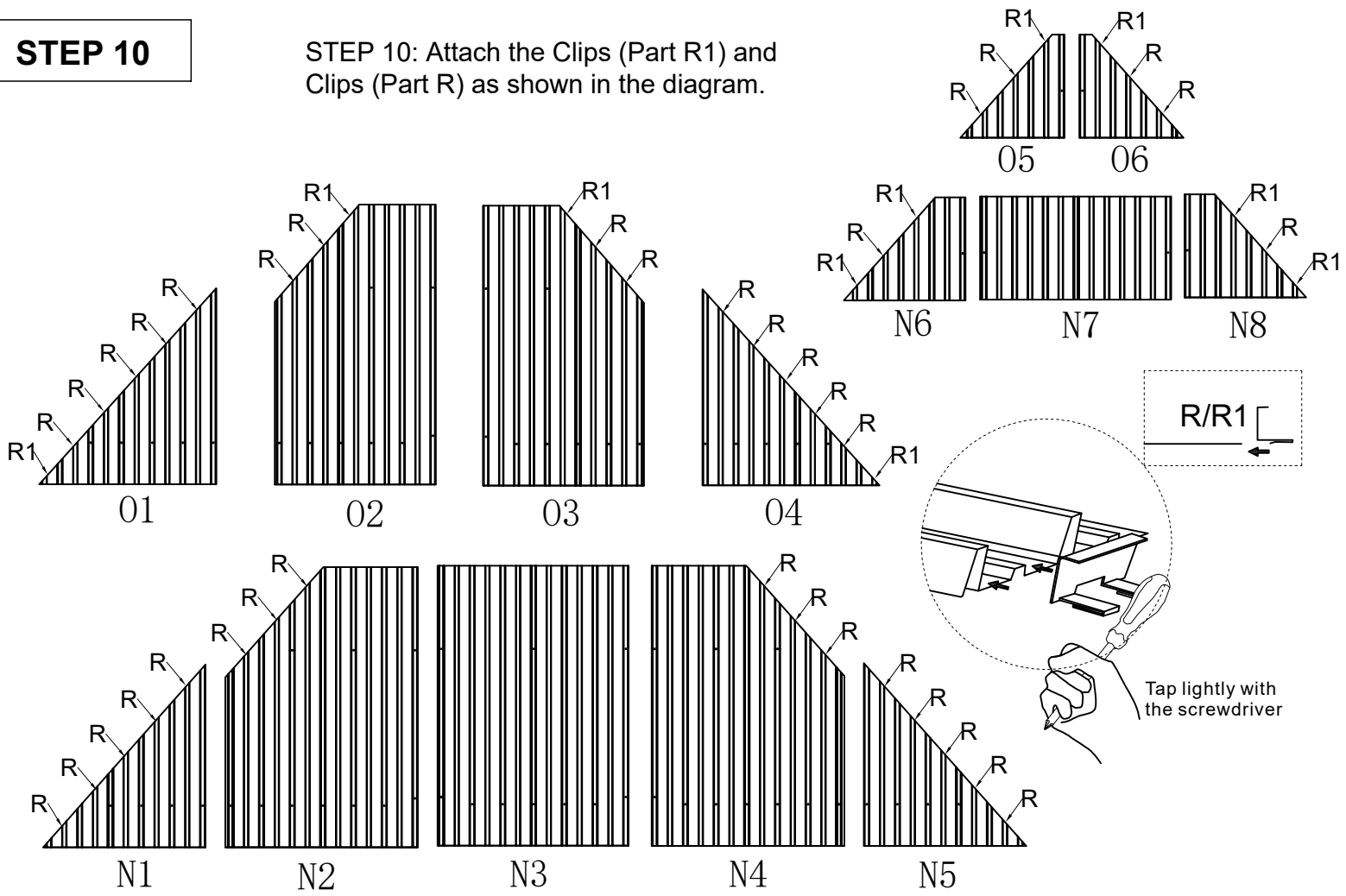


## STEP 9



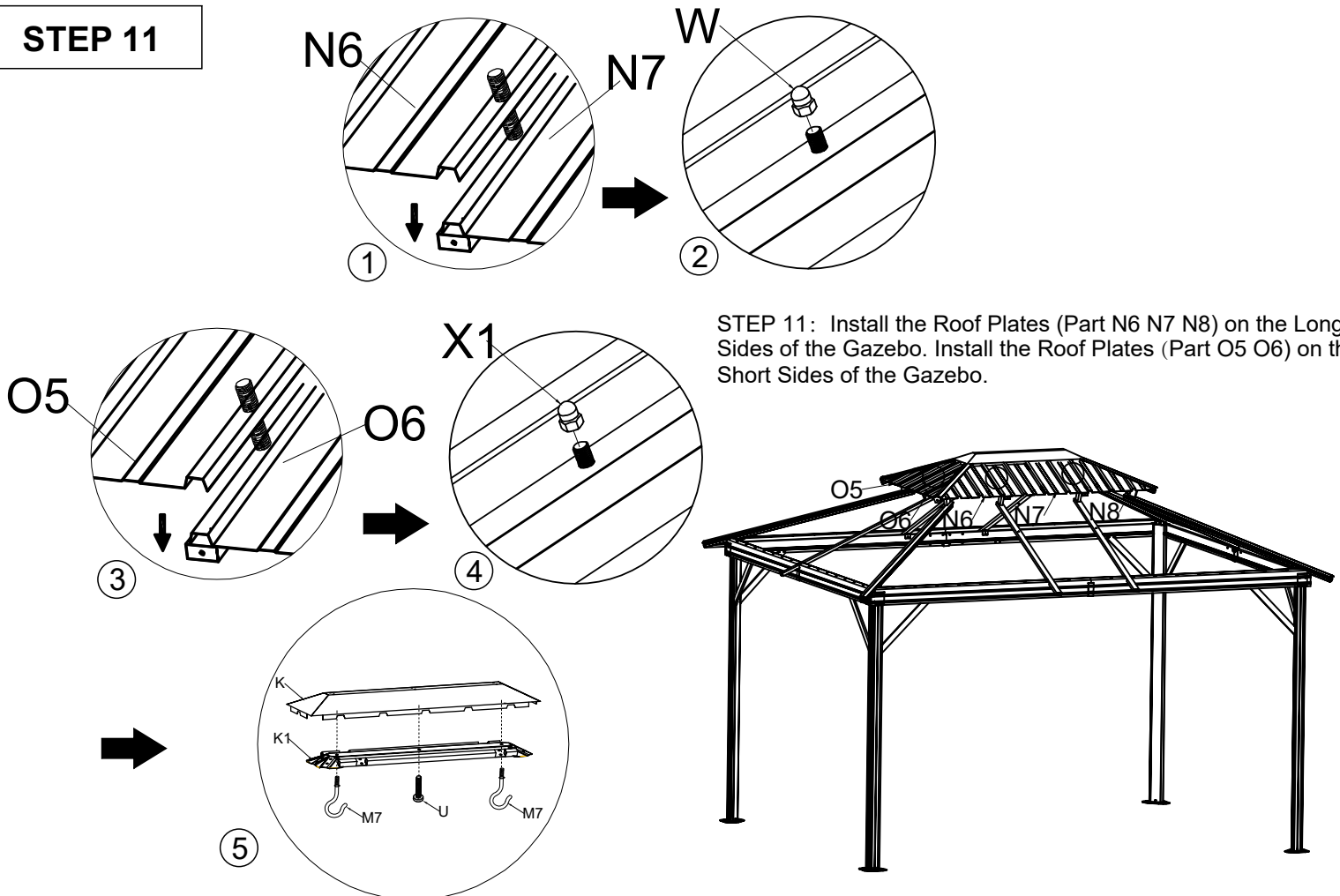
# STEP 10

STEP 10: Attach the Clips (Part R1) and Clips (Part R) as shown in the diagram.



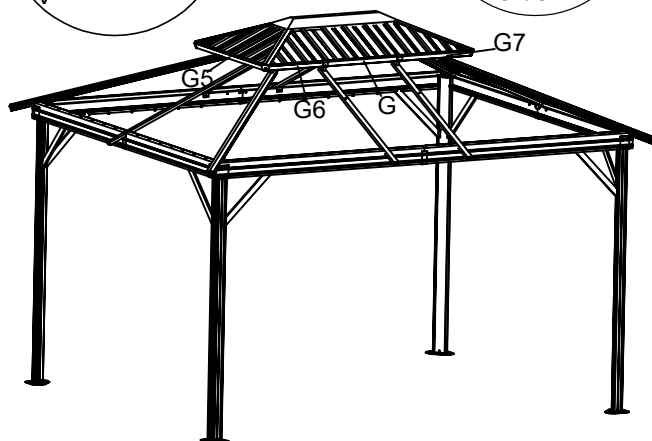
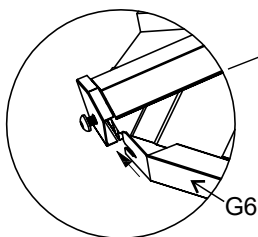
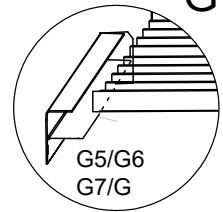
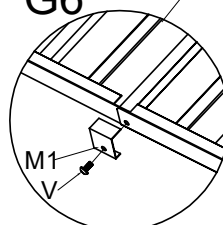
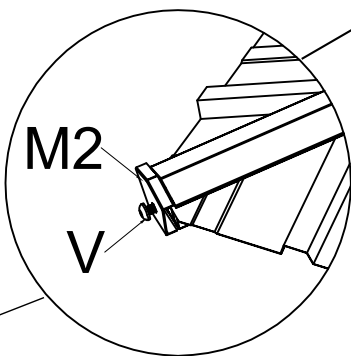
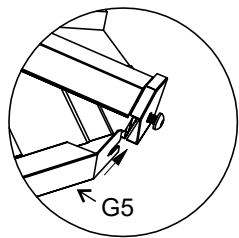
# STEP 11

STEP 11: Install the Roof Plates (Part N6 N7 N8) on the Long Sides of the Gazebo. Install the Roof Plates (Part O5 O6) on the Short Sides of the Gazebo.



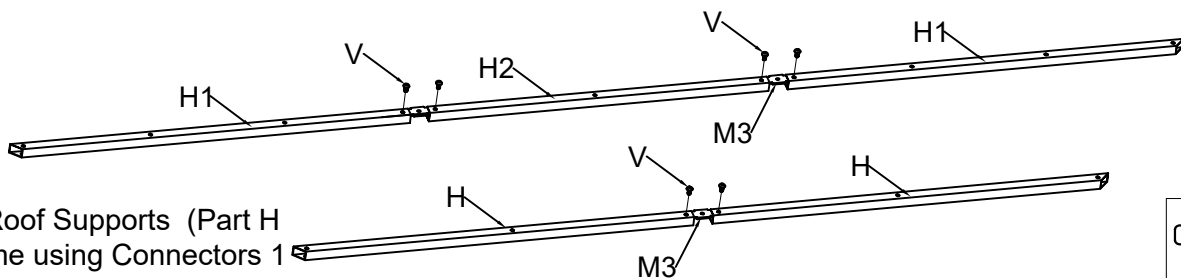
## STEP 12

STEP 12: Tighten the screw (part U) halfwy, then install (Part G G5 G6 G7), and finally tighten the (Part U)

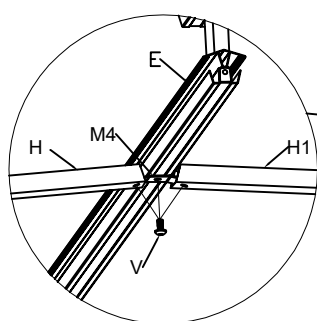
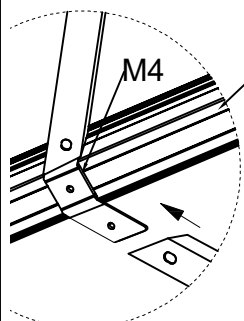
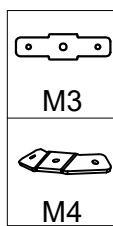


## STEP 13

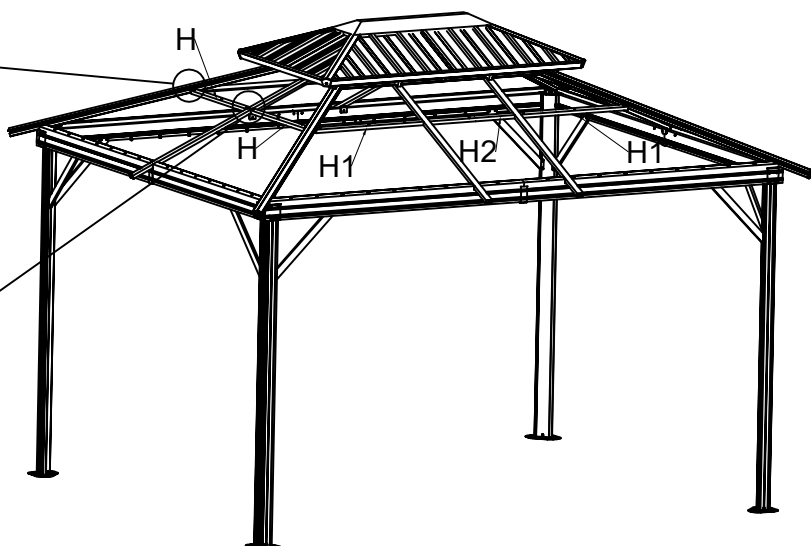
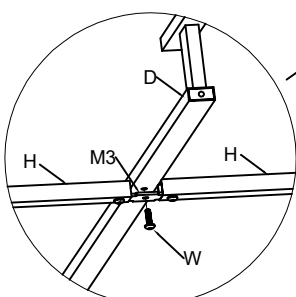
STEP 13: Attach the Roof Supports (Part H H1 H2) to the roof frame using Connectors 1 (Part M3) and Connectors 2 (Part M4) as shown in the diagram



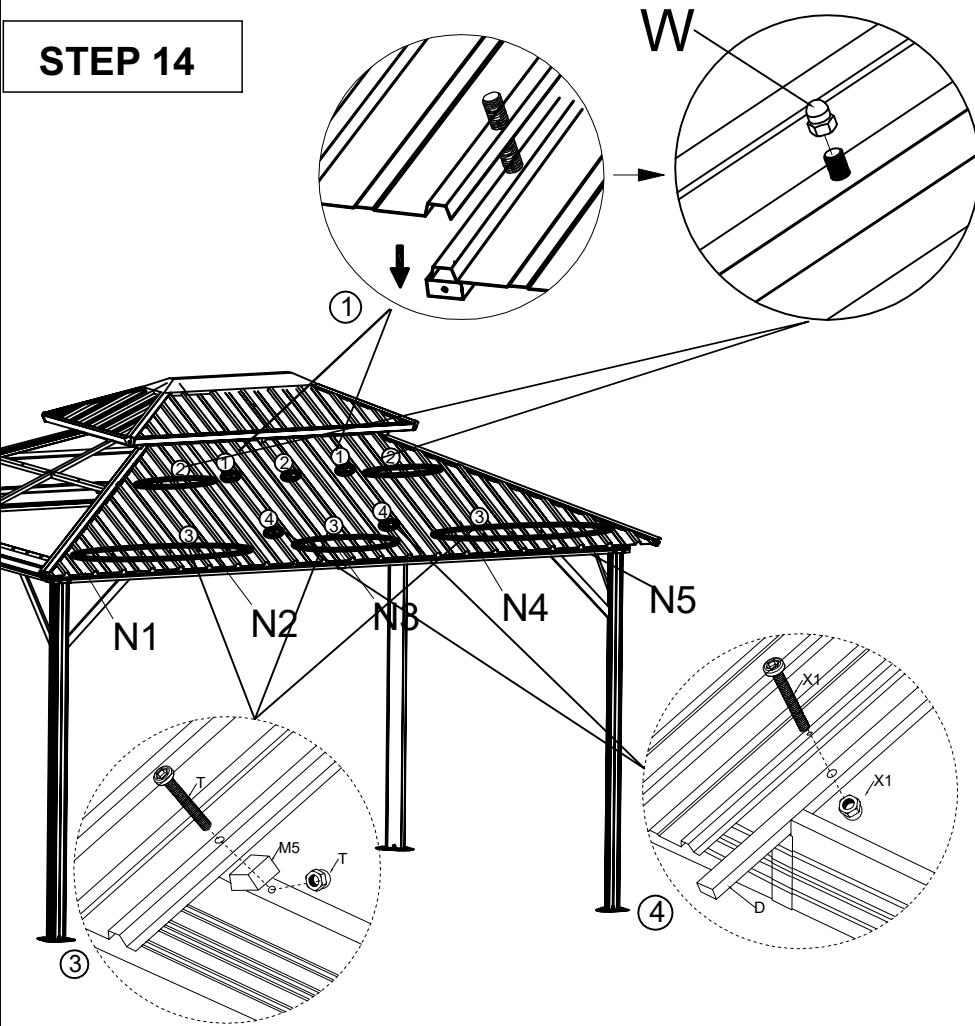
Don't tighten all the screws, just hold the (Part H and Part H1), until all of them are fixed



Please note that Parts M3 are installed on Parts D, and Parts M4 are on Parts E.



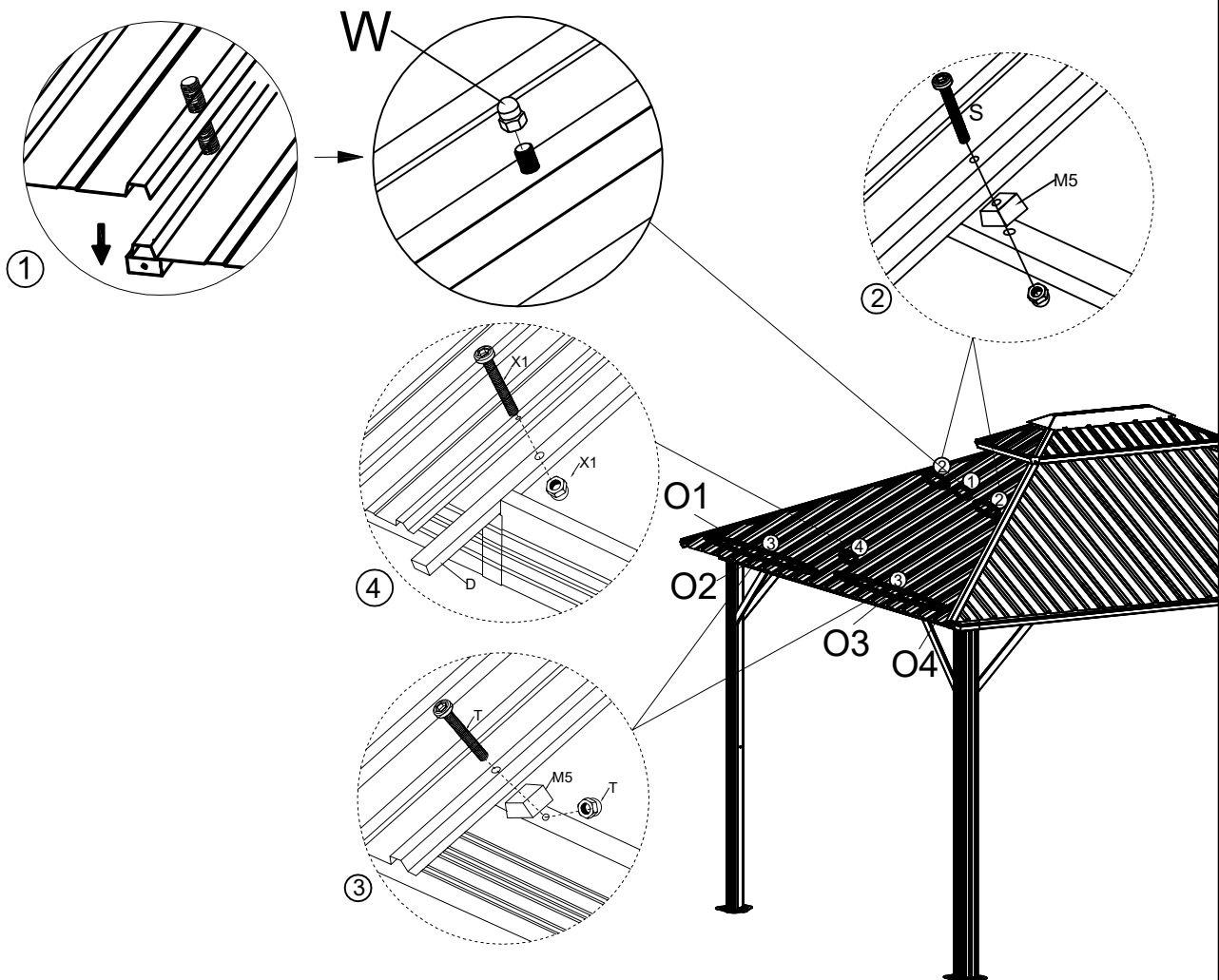
# STEP 14



STEP 14: Part N1 N2 N3 N4 N5 for the Long Sides of the Gazebo, Part O1 O2 O3 O4 for the short Sides of the Gazebo.

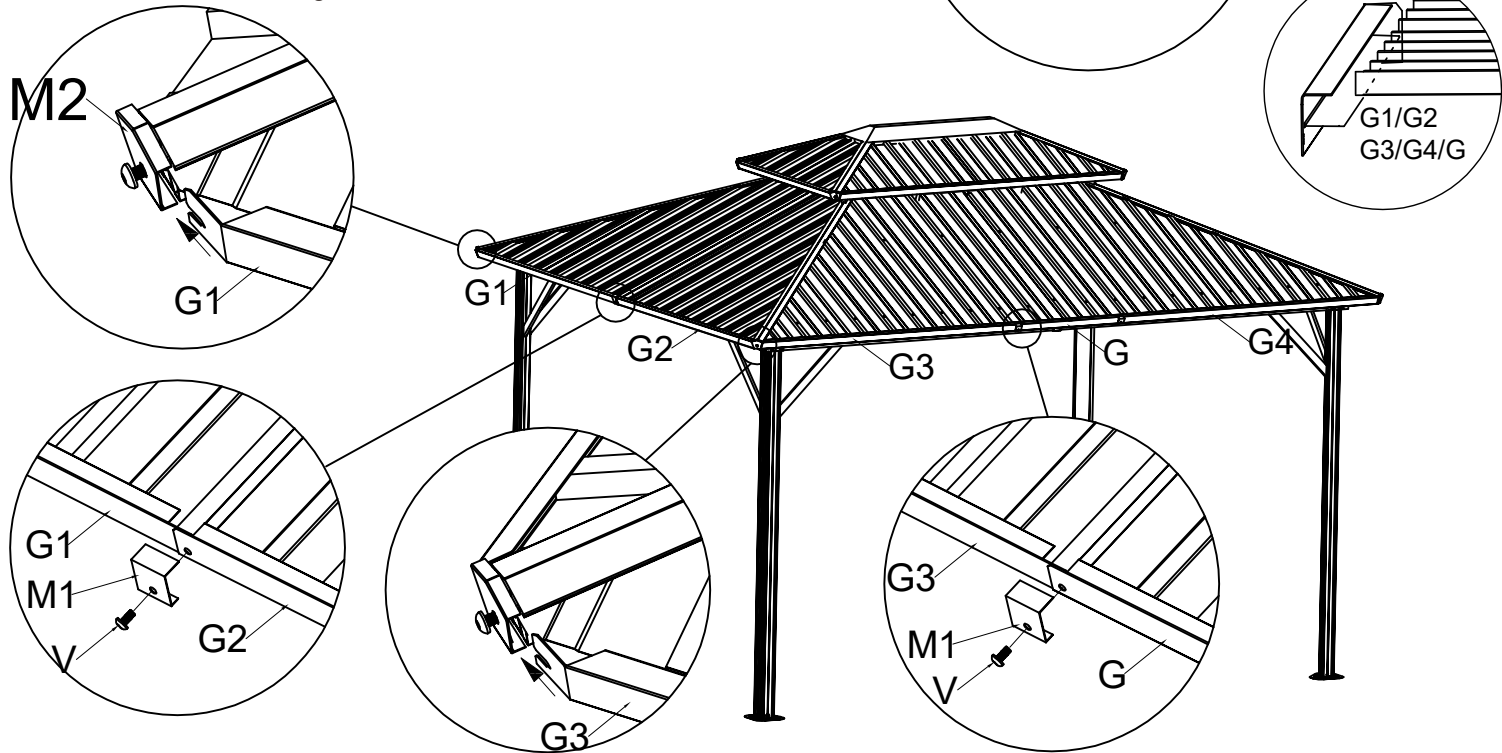
Install the Roof Plates on the Long Sides of the Gazebo. Start by sliding Roof Plate 1 (Part N2 N3 N4) into position. Then N1 and N4. The same for the other three sides.

# STEP 15



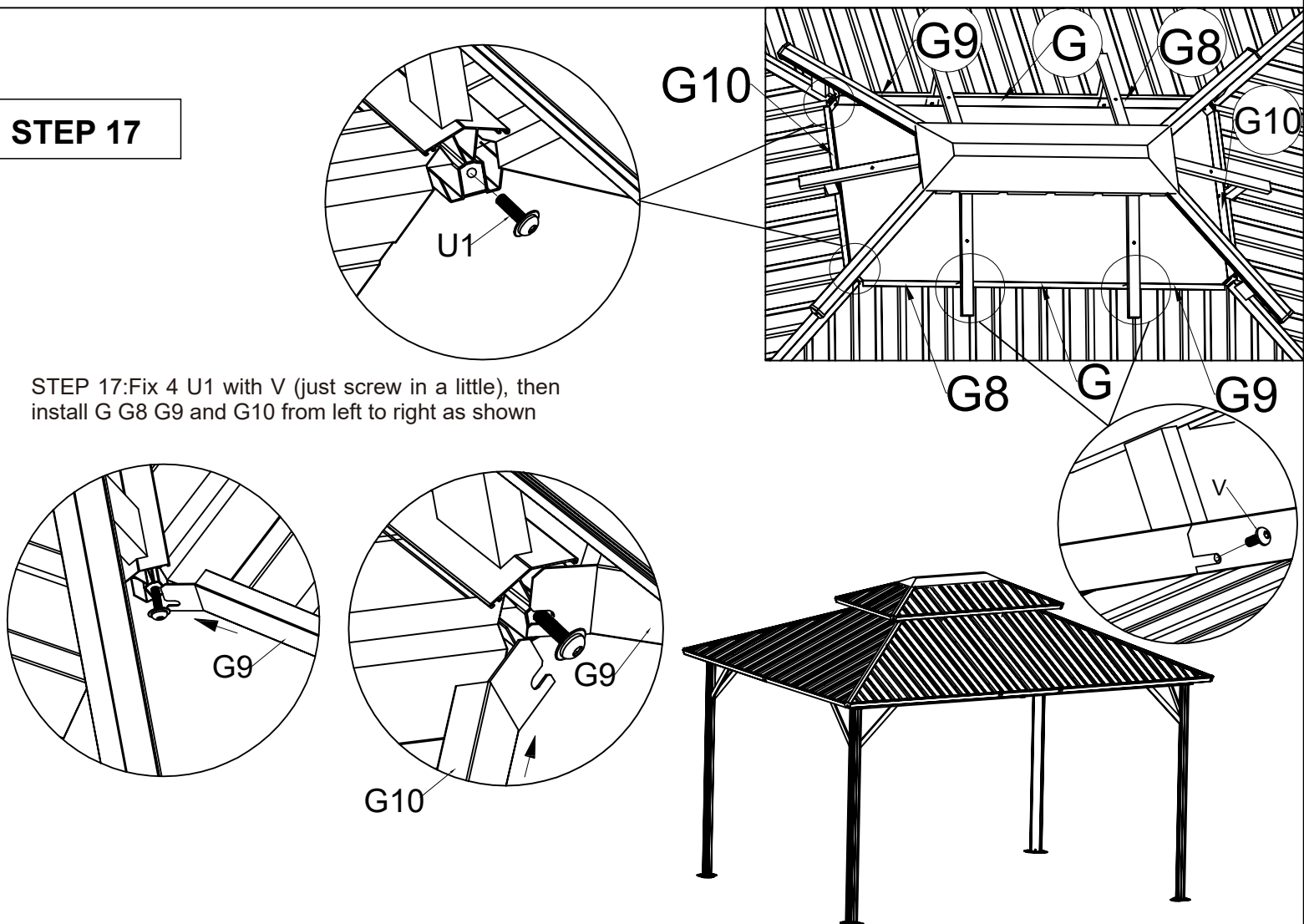
## STEP 16

Note: First fix 4 (Part M2) with V, but do not screw too tight, then install (Part G G1 G2 G3 and G4 ) as shown in the diagram. You'd better from left to right. Attach the Center Rib Braces (Part M1) as shown in the diagram.



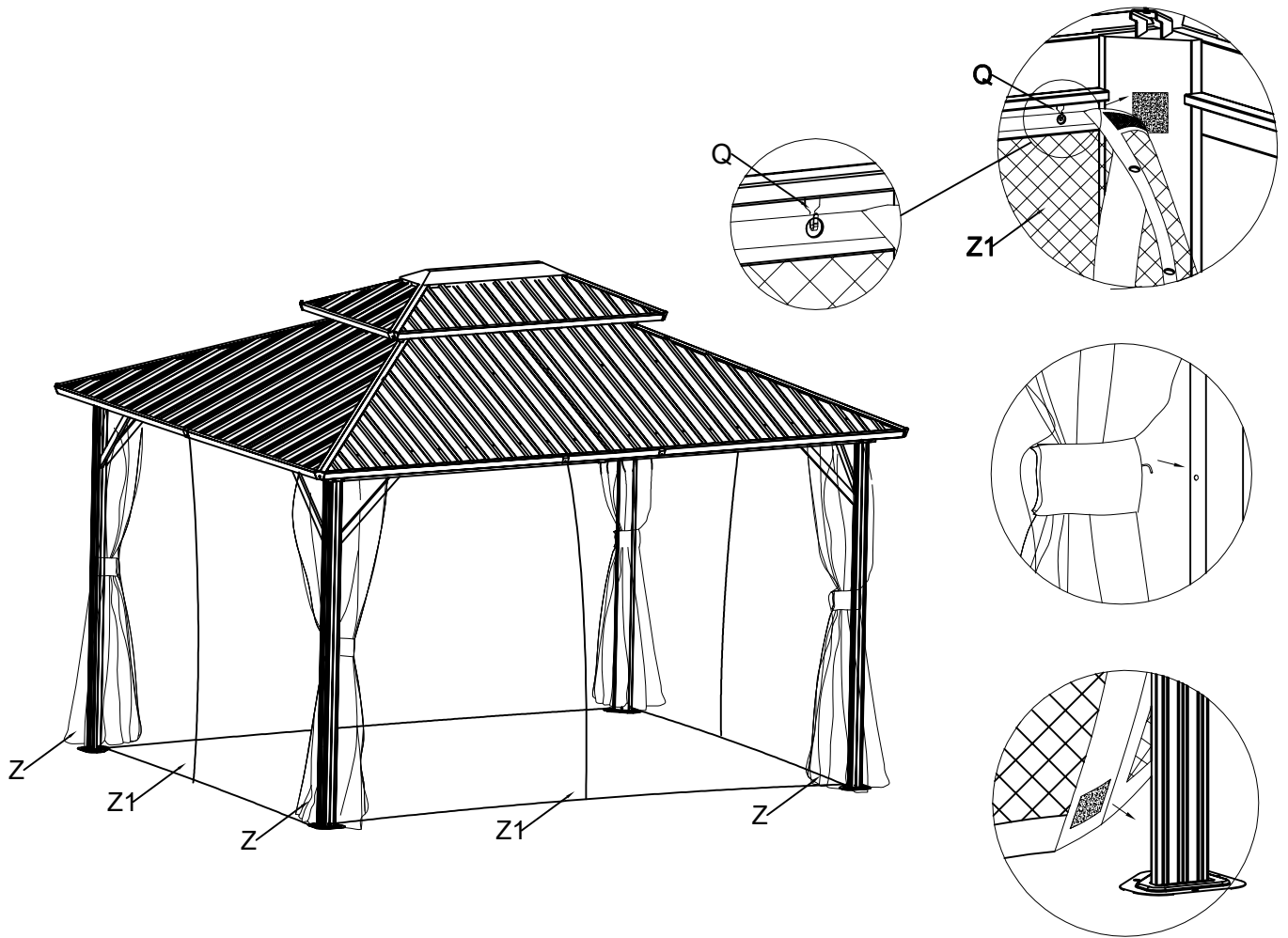
## STEP 17

STEP 17: Fix 4 U1 with V (just screw in a little), then install G G8 G9 and G10 from left to right as shown



# STEP 18

STEP 18: Install the Mosquito Netting as Shown in the diagram.



## Contact information

Head office:

Dancover A/S  
Lyngevej 16A, Nørre Herlev  
3400 Hillerød  
Denmark

For more information  
please visit:  
[www.dancovershop.com](http://www.dancovershop.com)

## National contact

Denmark:

[denmark@dancover.com](mailto:denmark@dancover.com)

UK:

[uk@dancover.com](mailto:uk@dancover.com)

Germany:

[germany@dancover.com](mailto:germany@dancover.com)

France:

[france@dancover.com](mailto:france@dancover.com)

Sweden:

[sverige@dancover.com](mailto:sverige@dancover.com)

Finland:

[suomi@dancover.com](mailto:suomi@dancover.com)

Poland:

[polska@dancover.com](mailto:polska@dancover.com)

Luxembourg:

[luxembourg@dancover.com](mailto:luxembourg@dancover.com)

Portugal:

[portugal@dancover.com](mailto:portugal@dancover.com)

Spain:

[espana@dancover.com](mailto:espana@dancover.com)

Italy:

[italia@dancover.com](mailto:italia@dancover.com)

Switzerland:

[schweiz@dancover.com](mailto:schweiz@dancover.com)

Austria:

[austria@dancover.com](mailto:austria@dancover.com)

Norway:

[norge@dancover.com](mailto:norge@dancover.com)

Nederland:

[nederland@dancover.com](mailto:nederland@dancover.com)

Ireland:

[ireland@dancover.com](mailto:ireland@dancover.com)

Belgium:

[belgique@dancover.com](mailto:belgique@dancover.com)