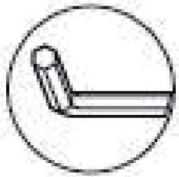


DANCOVER[®]

.com

Manual
for
Gazebo San Diego
3x4,2m



Use the hex keys in the box.



You may need to use a drill for this step.



Three or more people are required at this stage.

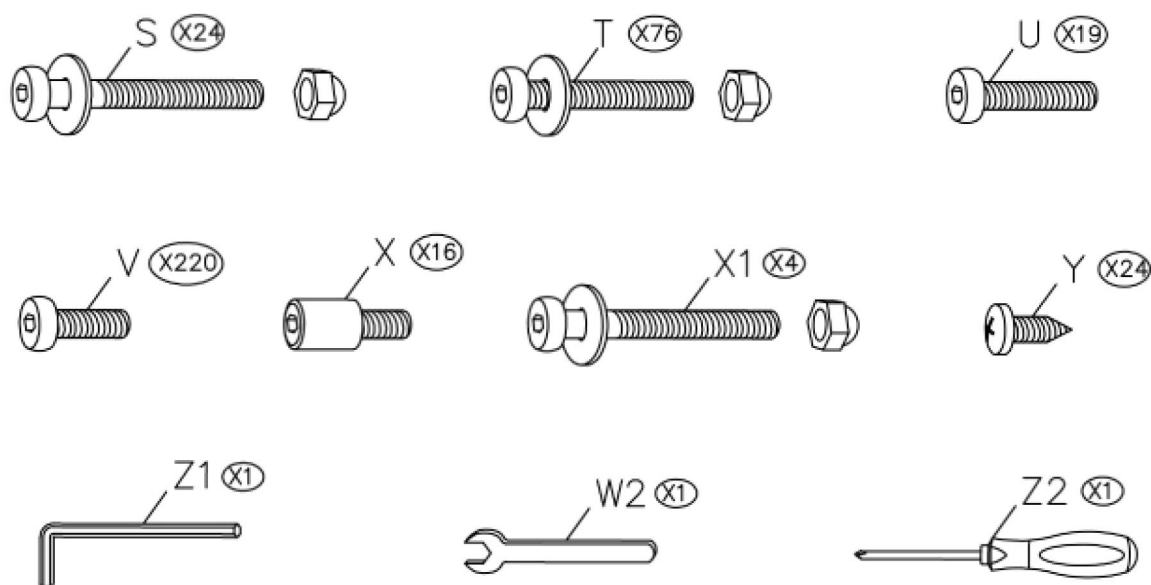


You may need a ladder.



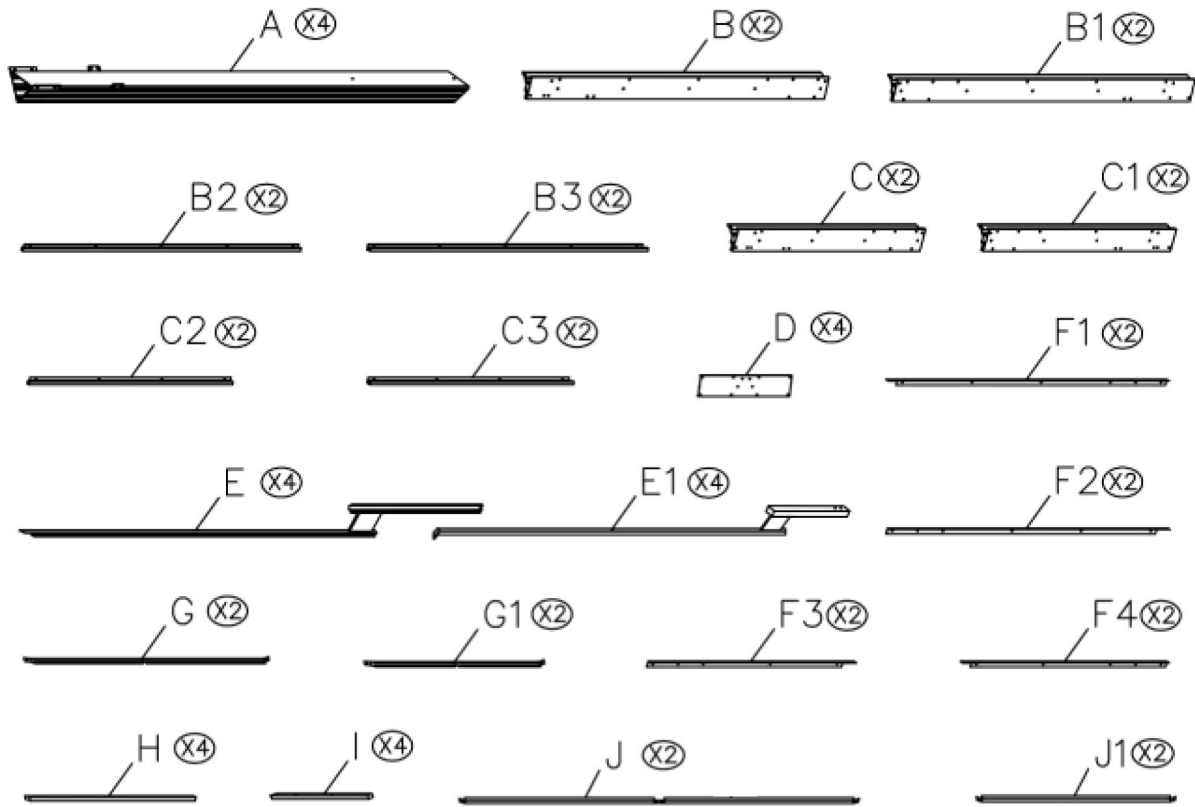
Do not tighten screws all the way for now.

PARTS LIST



Item	Description	Qty
S	Screw and Nut M6X47	24
T	Screw and Nut M6X23	76
U	Screw M6X20	19
V	Screw M6X15	220
X	Screw M6X10(D10X20)	16
X1	Screw and Cap Nut M6X42	4
Y	Screw ST4.8X12	24
W2	Wrench	1
Z1	Allen Key	1
Z2	Screwdriver	1

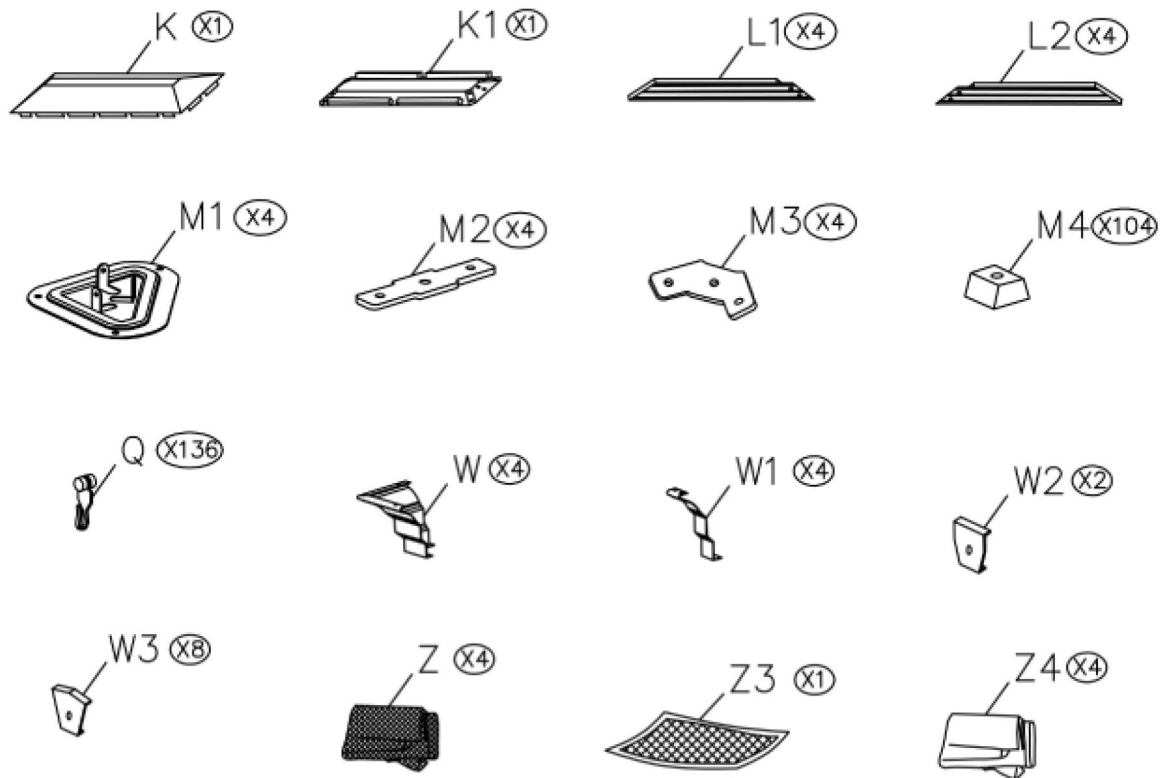
PARTS LIST



Item	Description	Qty
A	Column	4
B	Long Ogee	2
B1	Long Ogee	2
B2	Long Track	2
B3	Long Track	2
C	Short Ogee	2
C1	Short Ogee	2
C2	Short Track	2
C3	Short Track	2
D	Union Bar	4
E	Corner Roof Bar	4
E1	Roof Bar	4

Item	Description	Qty
F1	Gap Cover Bar	2
F2	Gap Cover Bar	2
F3	Gap Cover Bar	2
F4	Gap Cover Bar	2
G	Long Sideband	2
G1	Short Sideband	2
H	Long Solidifying Bar	4
I	Short Solidifying Bar	4
J	Long Sideband	2
J1	Short Sideband	2

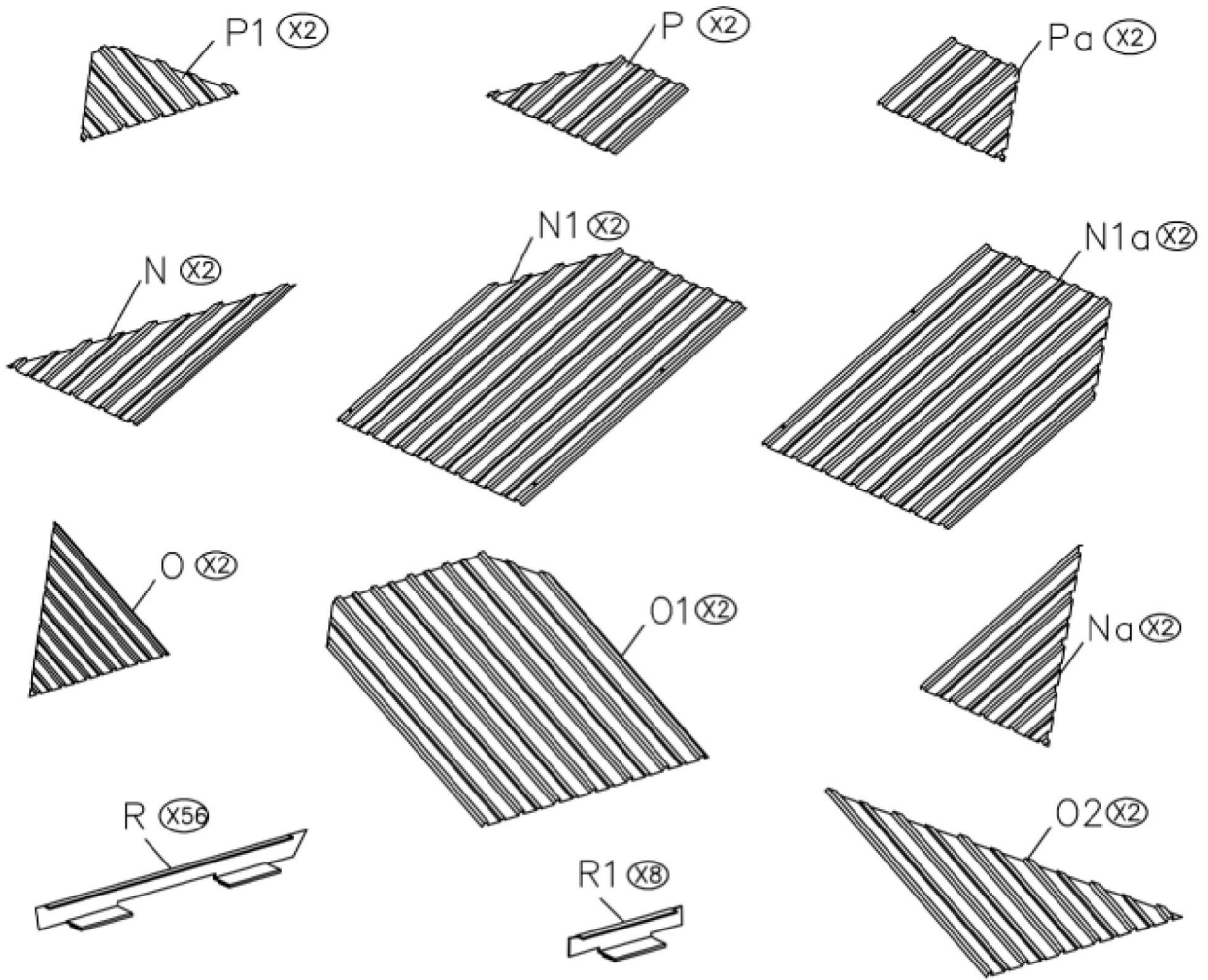
PARTS LIST



Item	Description	Qty
K	Outside Roof Connector	1
K1	Inside Roof Connector	1
L1	Corner Solidifying Bar	4
L2	Corner Solidifying Bar	4
M1	Base	4
M2	Iron Angle	4
M3	Iron Angle	4
M4	Spacer	104

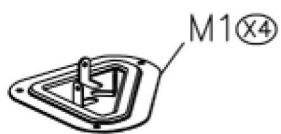
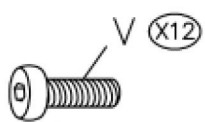
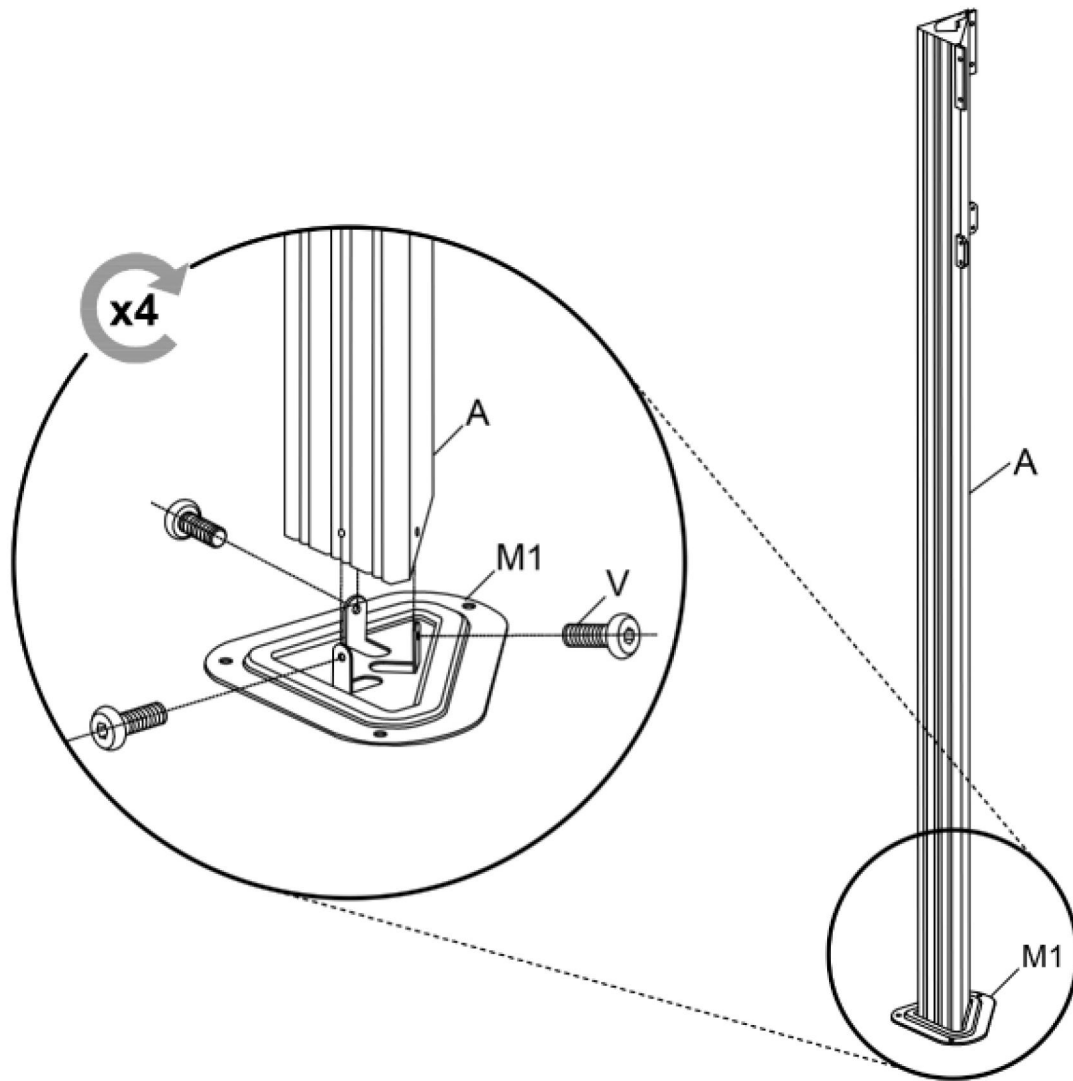
Item	Description	Qty
Q	Hook - extra in option	136
W	Corner Cover	4
W1	Joint Cover Plate	4
W2	Joint Cover Plate	2
W3	Corner Cover	8
Z	Iron Angle	4
Z3	Gauze Net	1
Z4	Curtain	4

ASSEMBLY

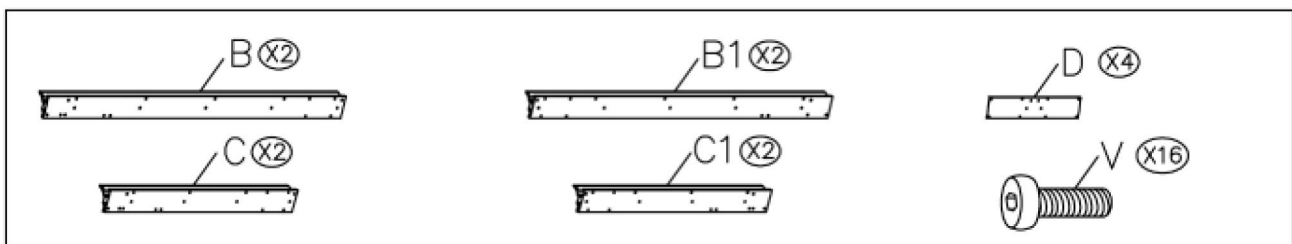
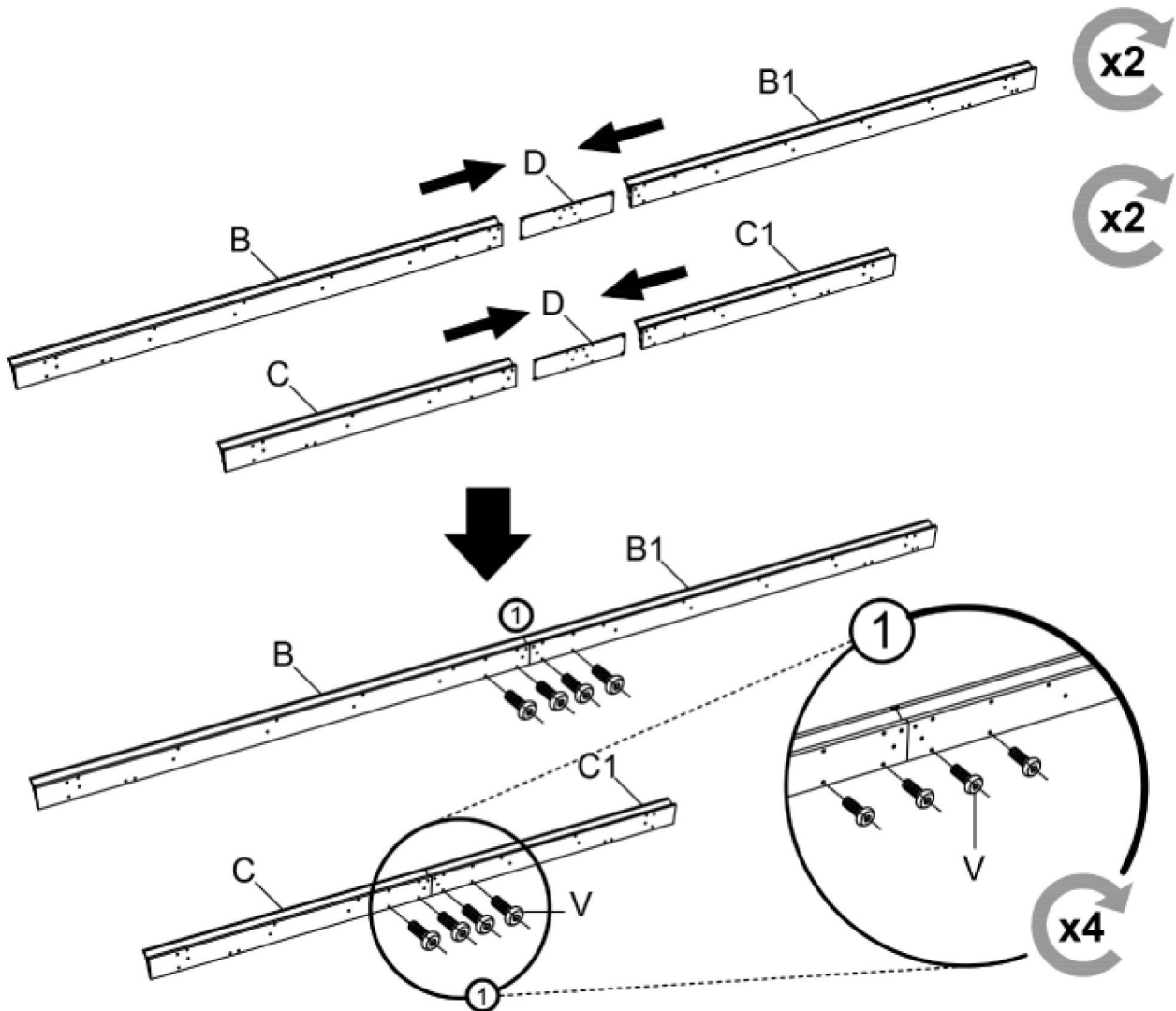


Item	Description	Qty
N	Roof Panel	2
Na	Roof Panel	2
N1	Roof Panel	2
N1a	Roof Panel	2
O	Roof Panel	2
O1	Roof Panel	2
O2	Roof Panel	2
P	Roof Panel	2
Pa	Roof Panel	2
P1	Roof Panel	2
R	Metal Bracket	56
R1	Metal Bracket	8

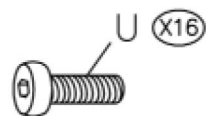
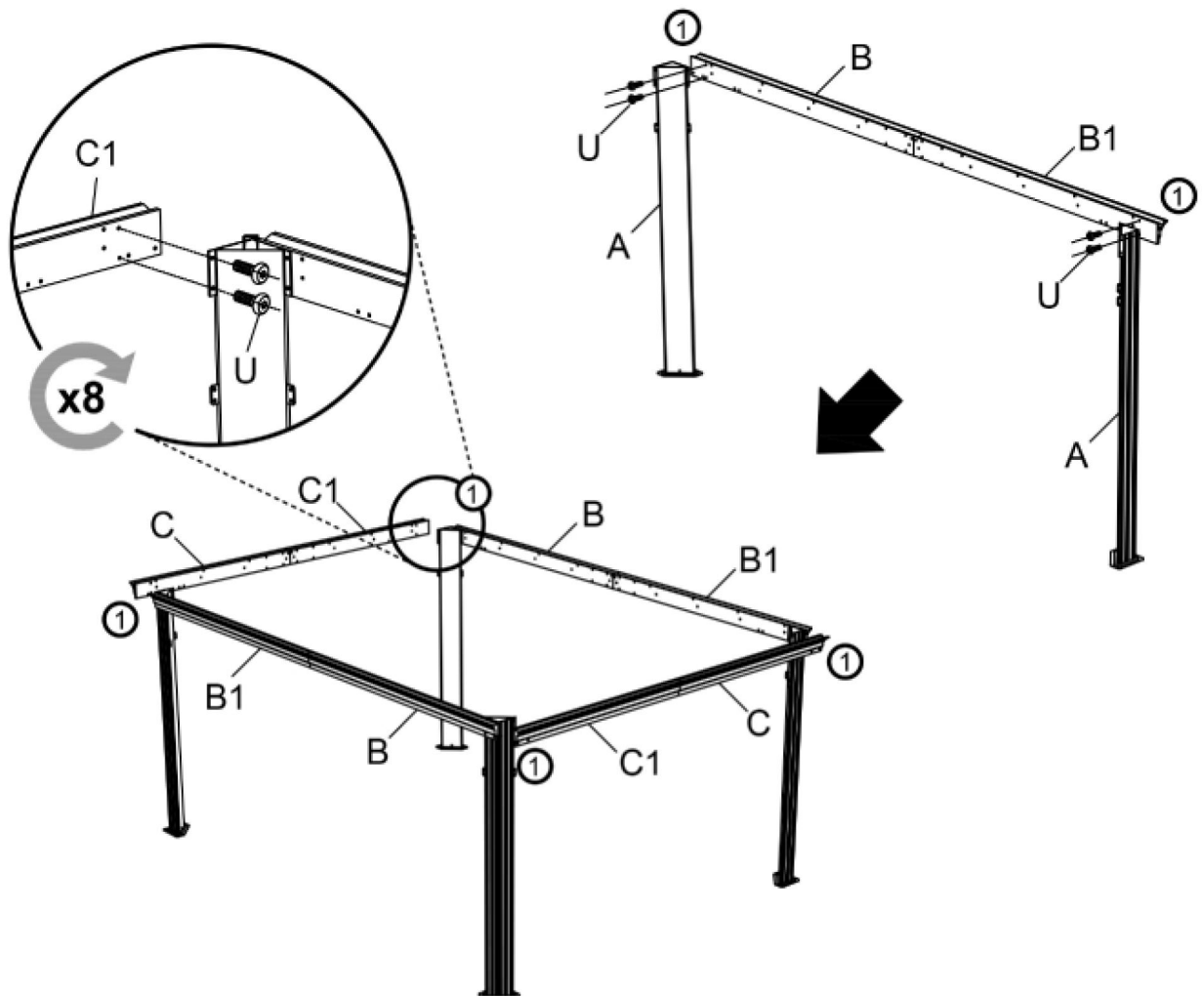
Step 1



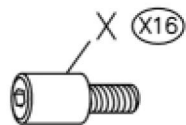
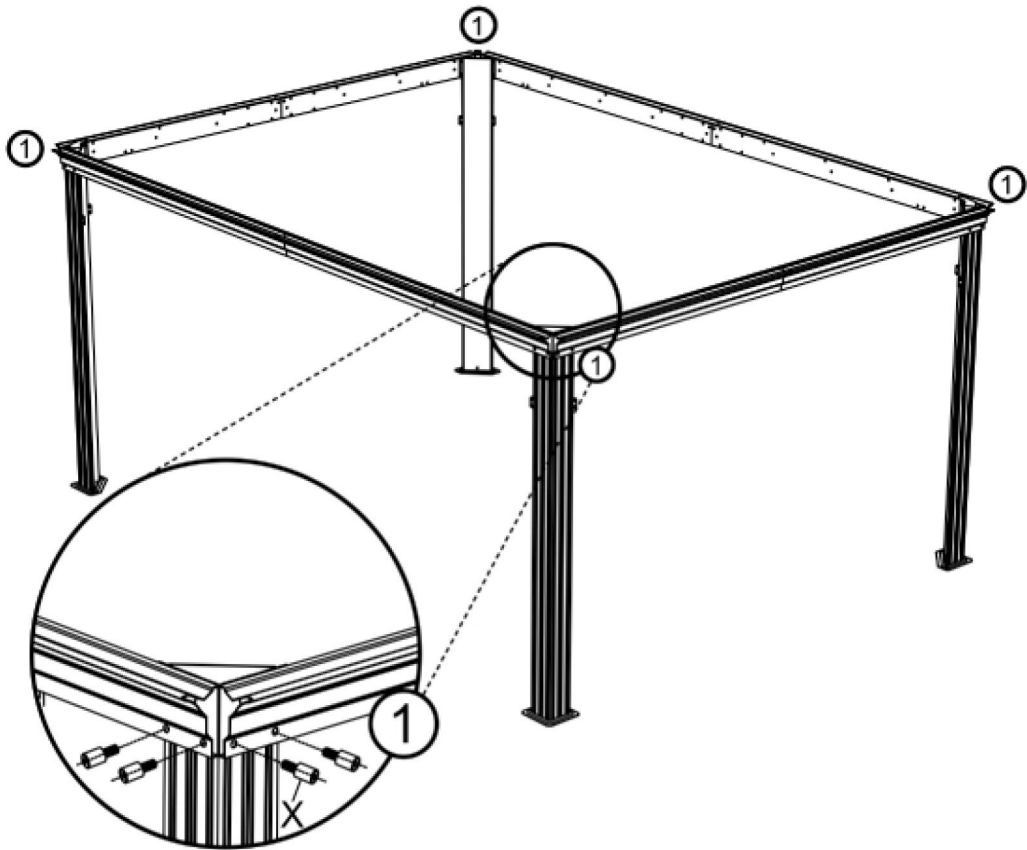
Step 2



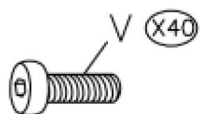
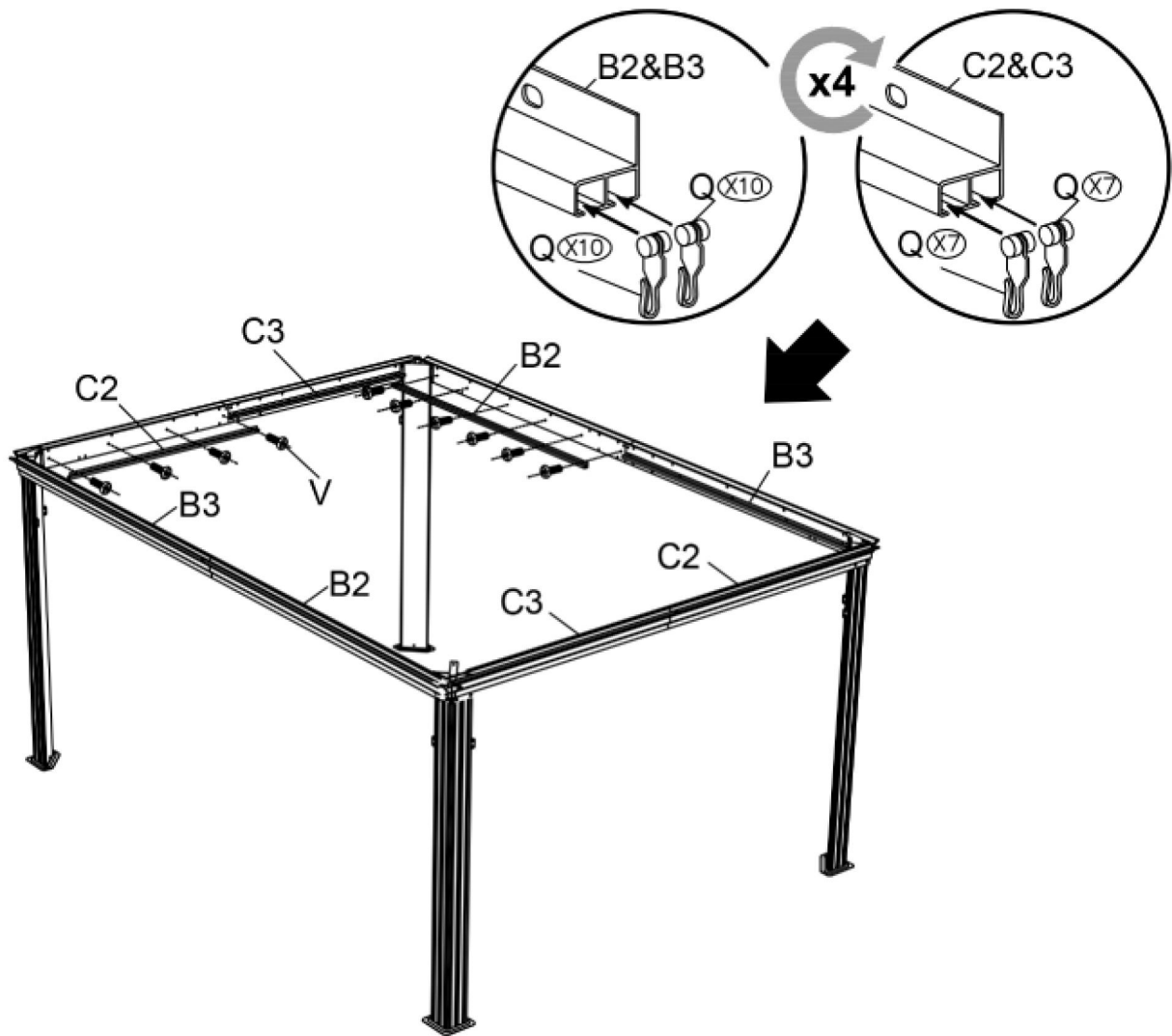
Step 3



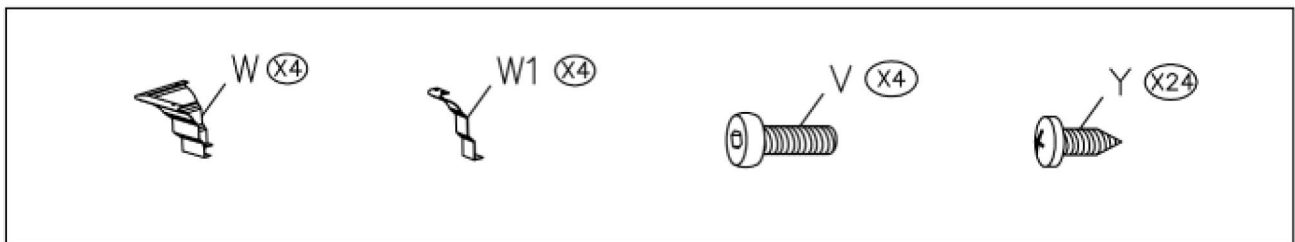
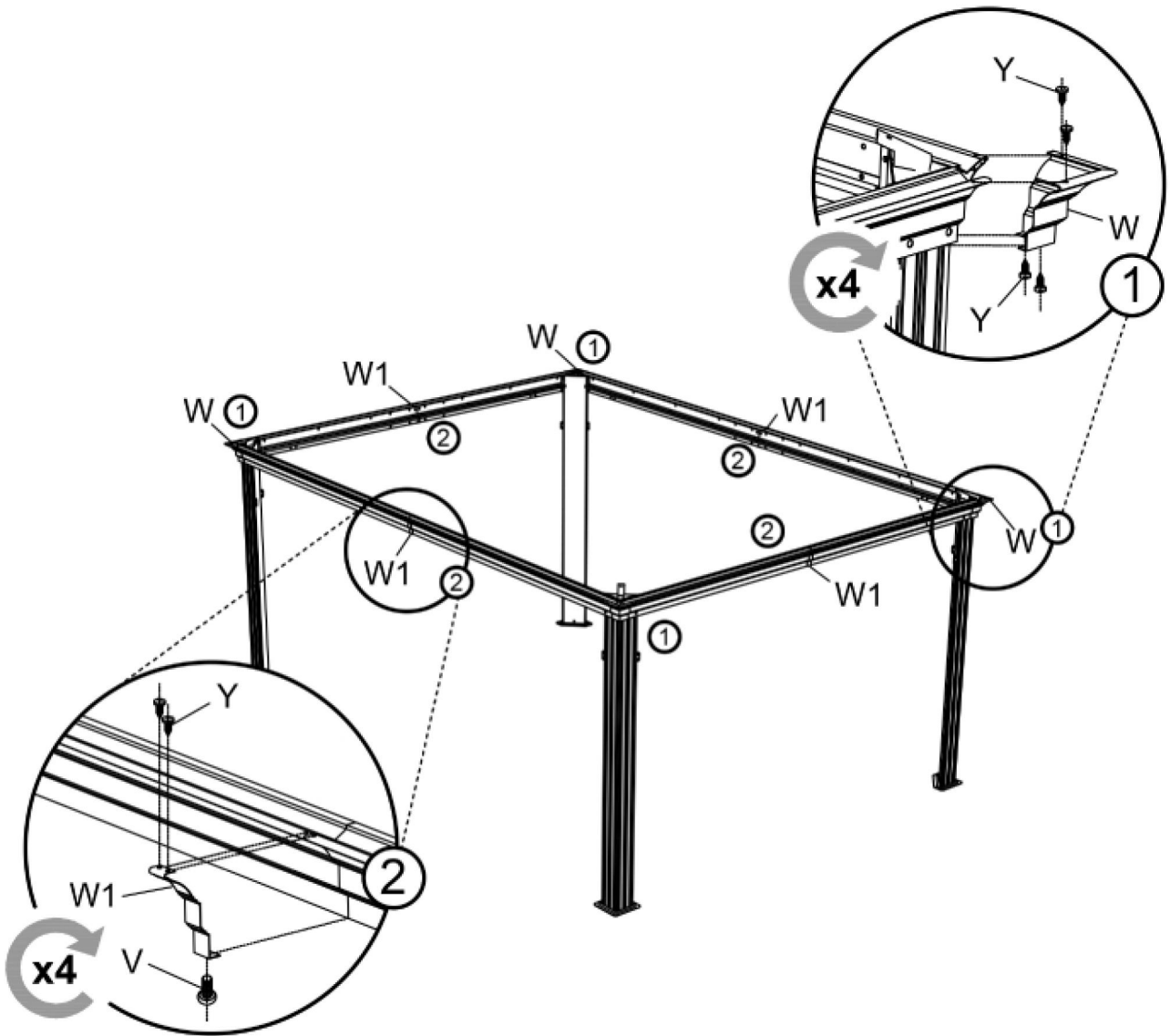
Step 4



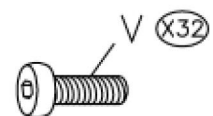
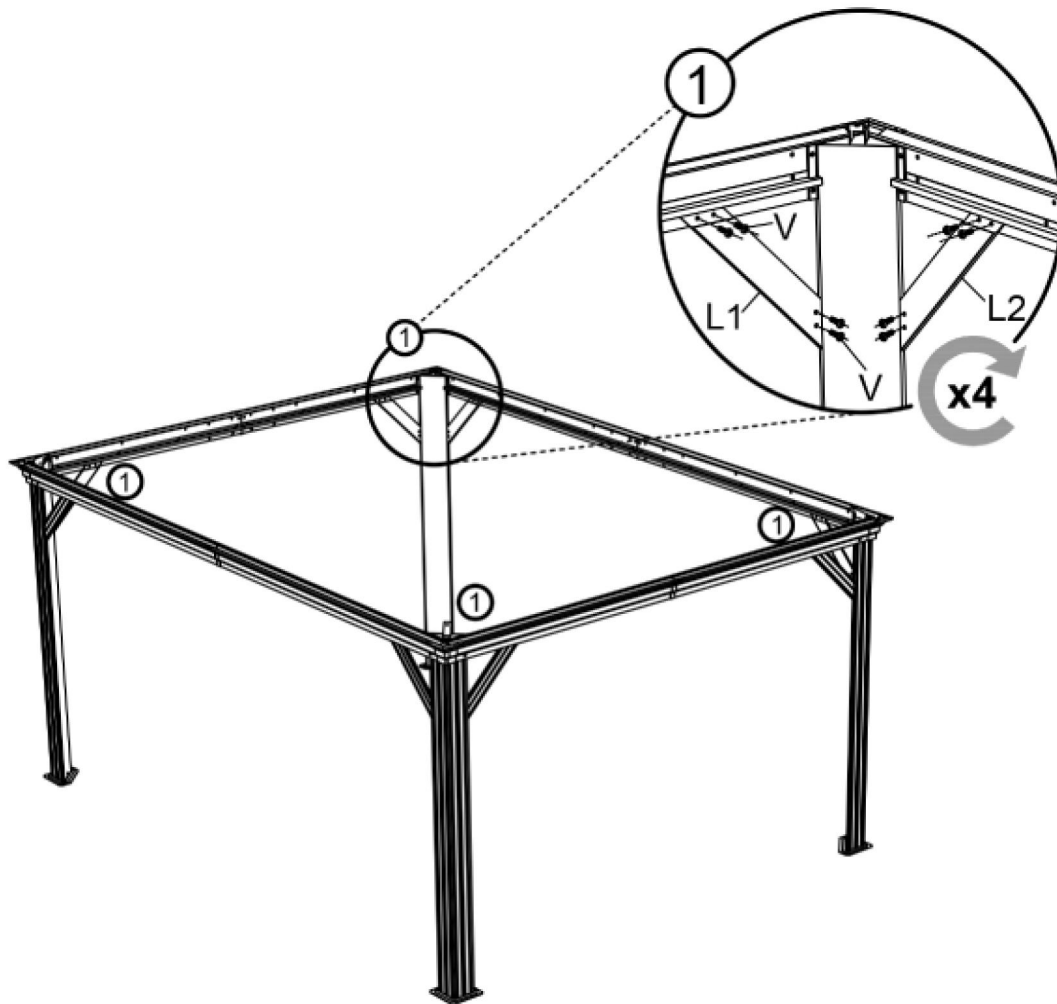
Step 5



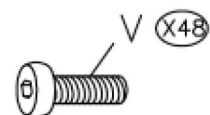
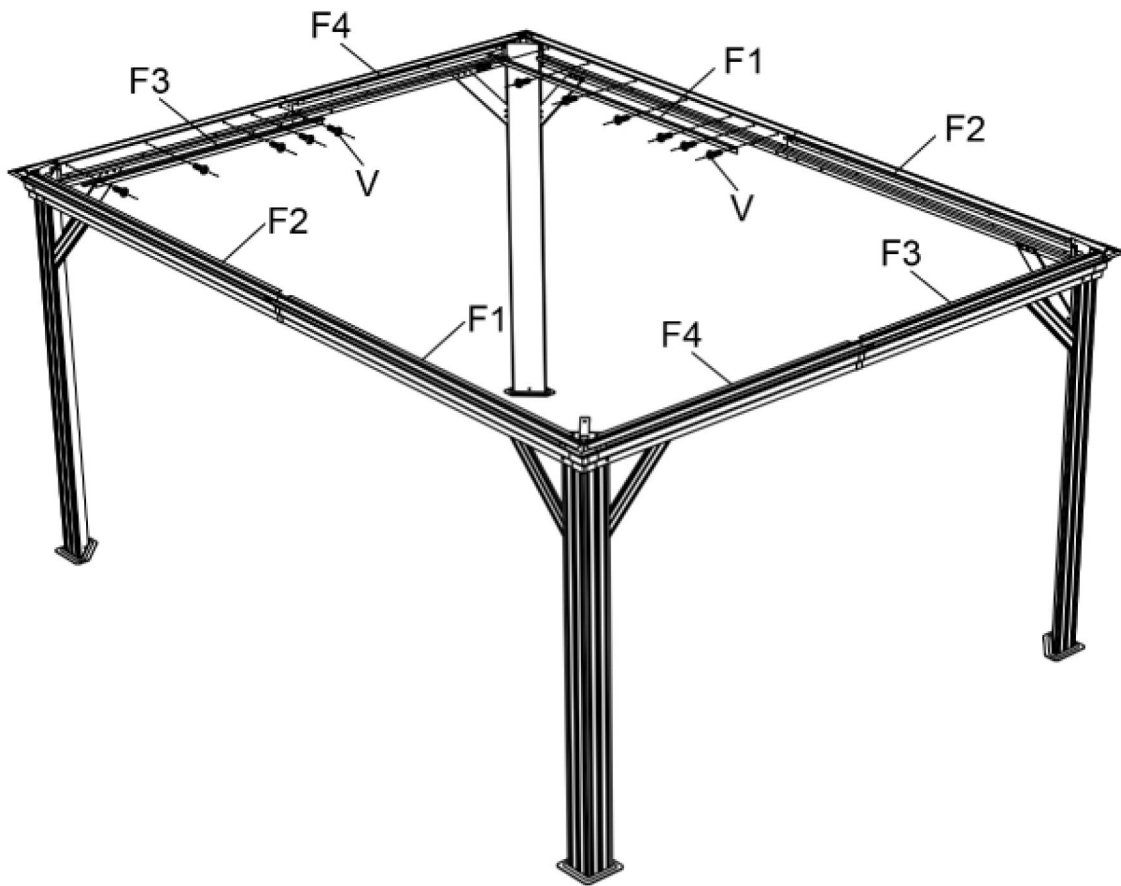
Step 6



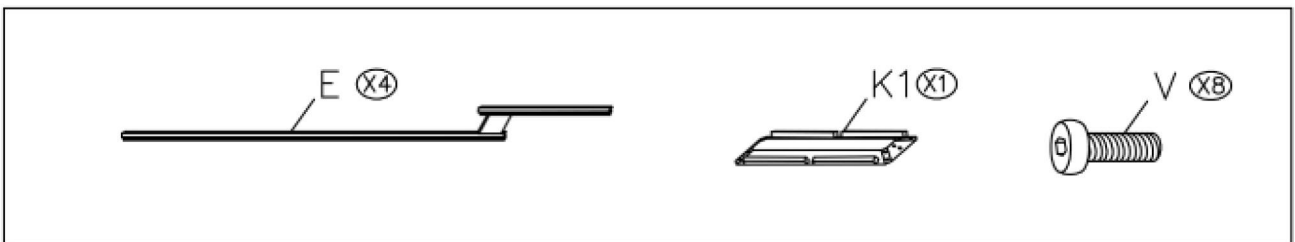
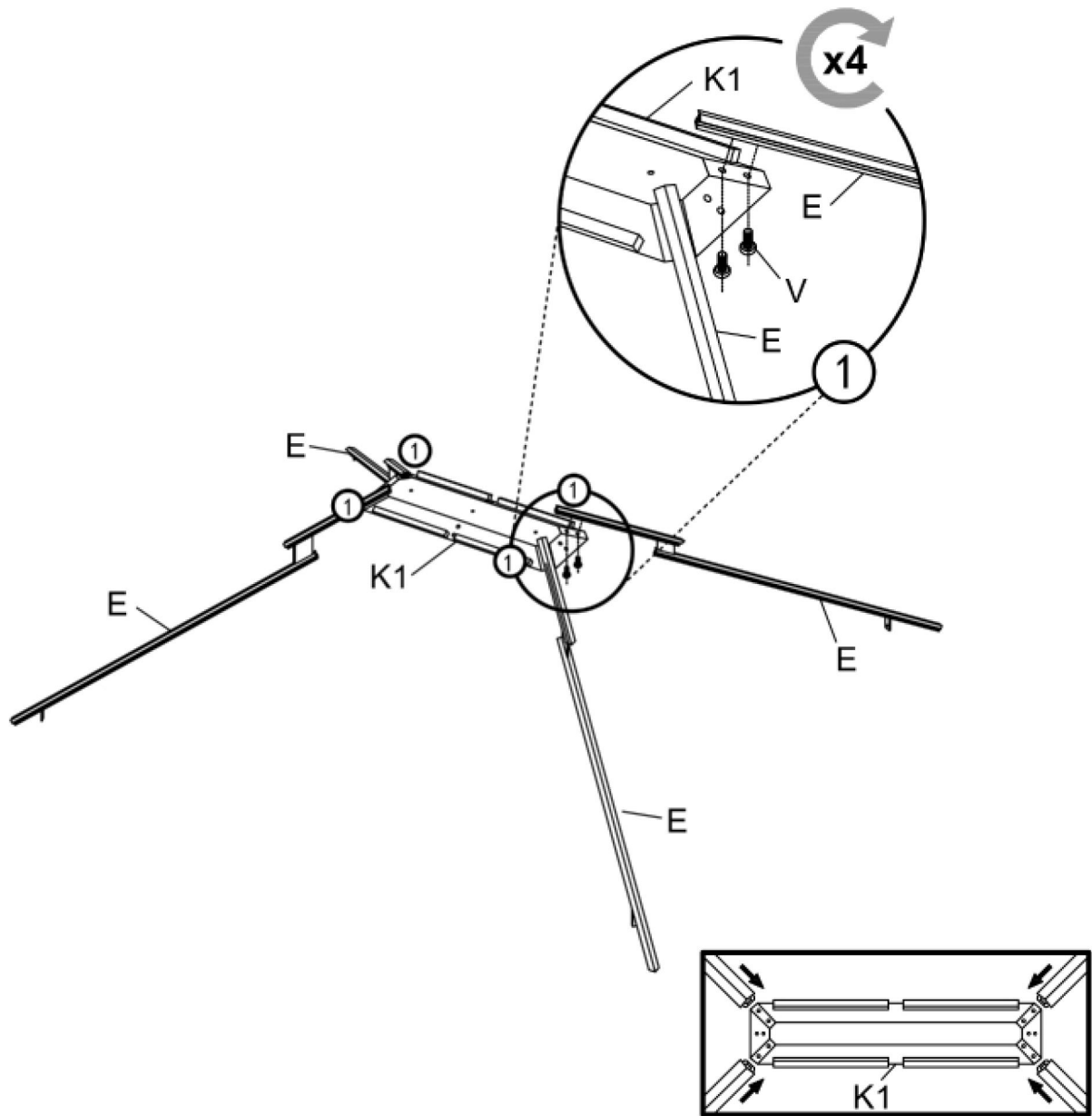
Step 7



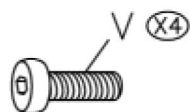
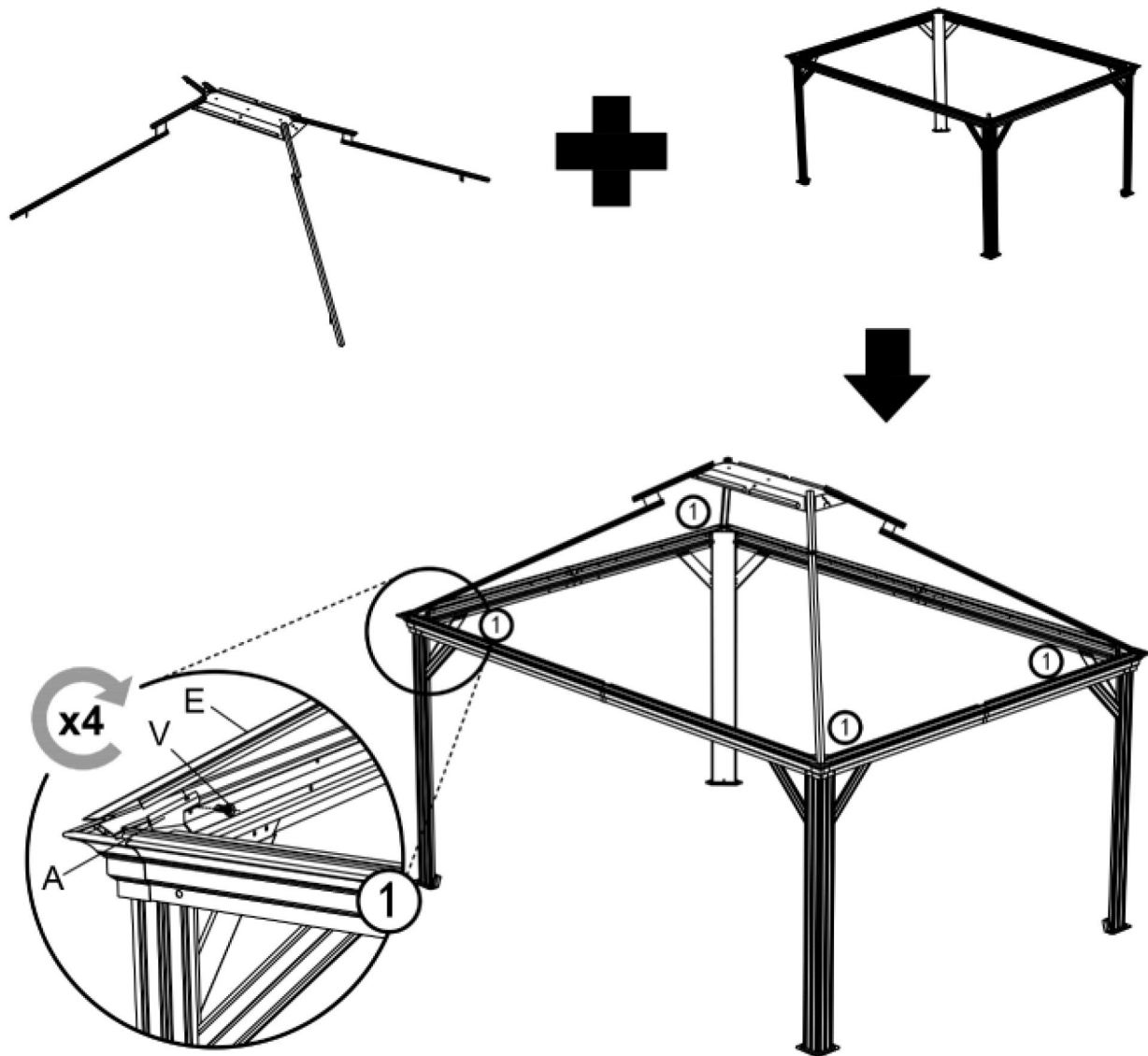
Step 8



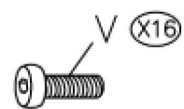
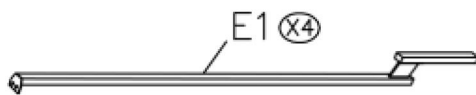
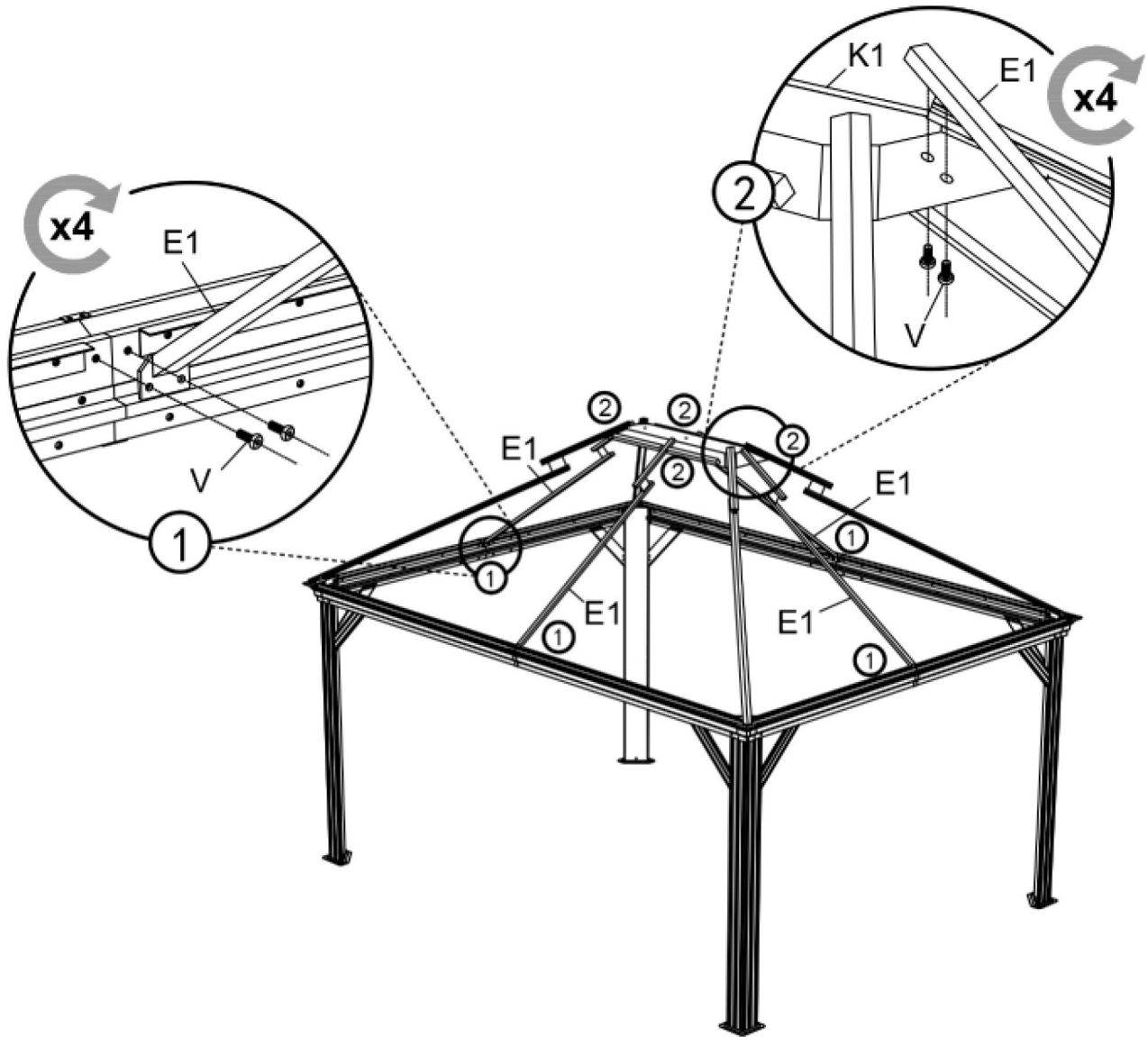
Step 9



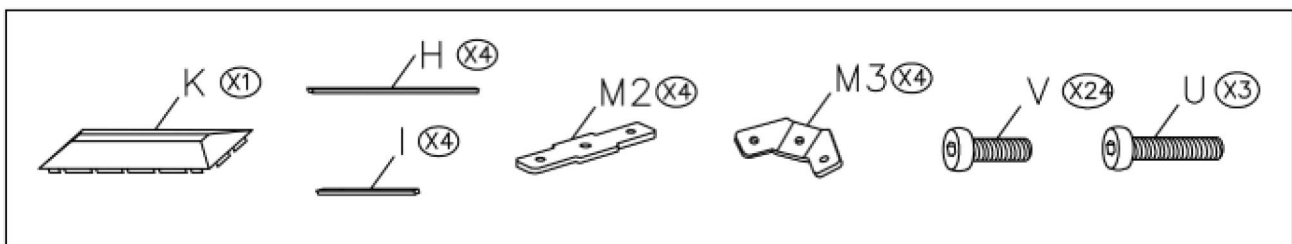
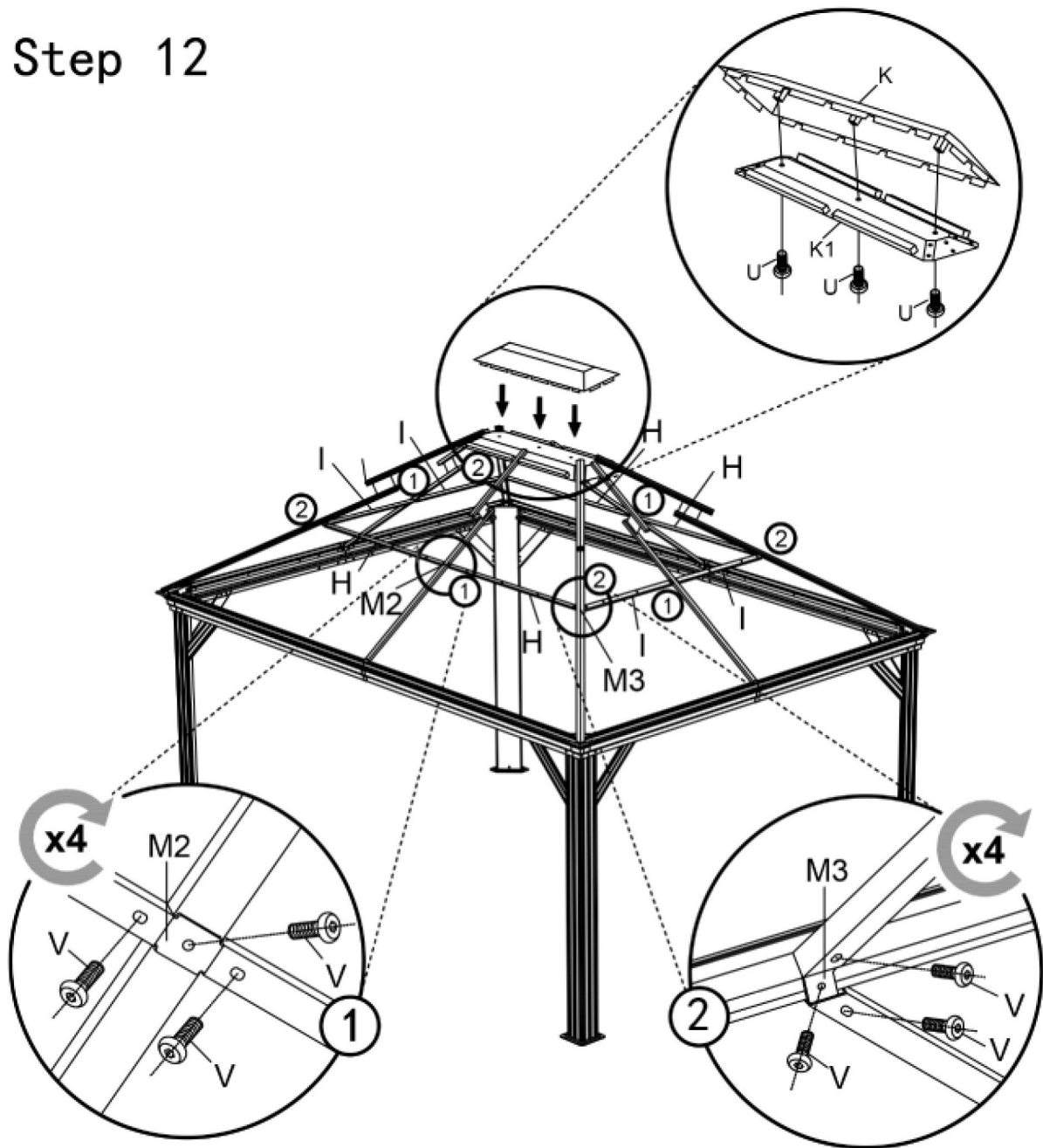
Step 10



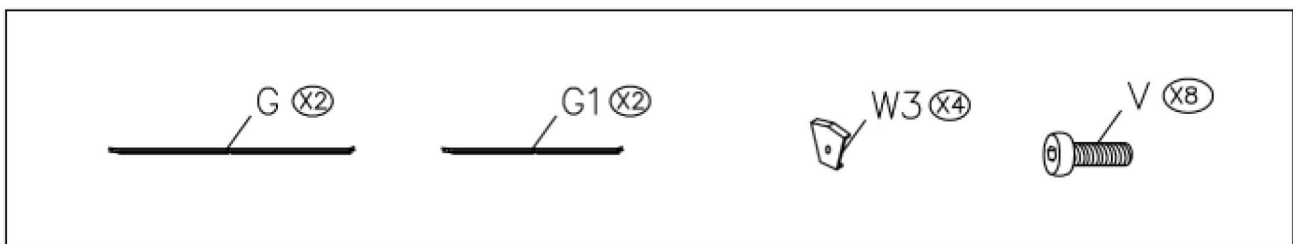
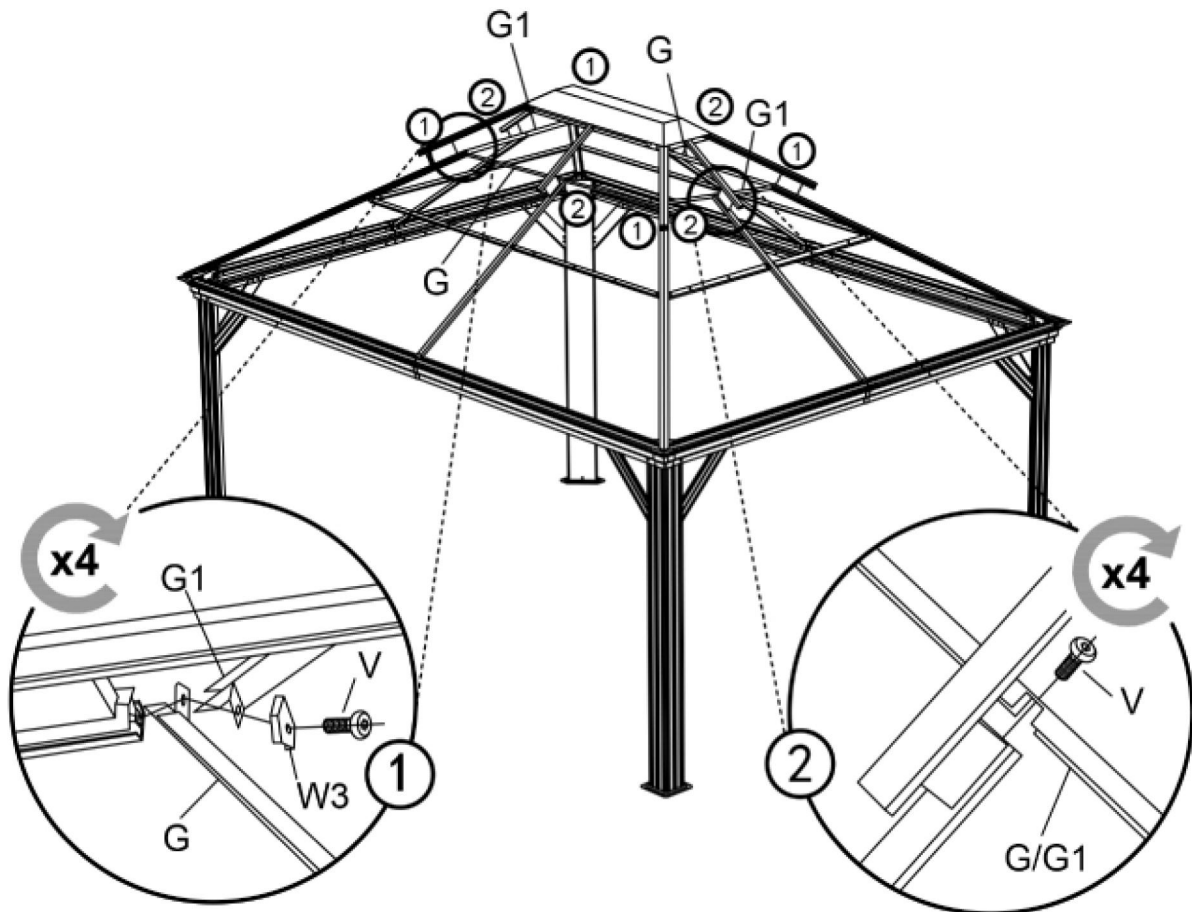
Step 11



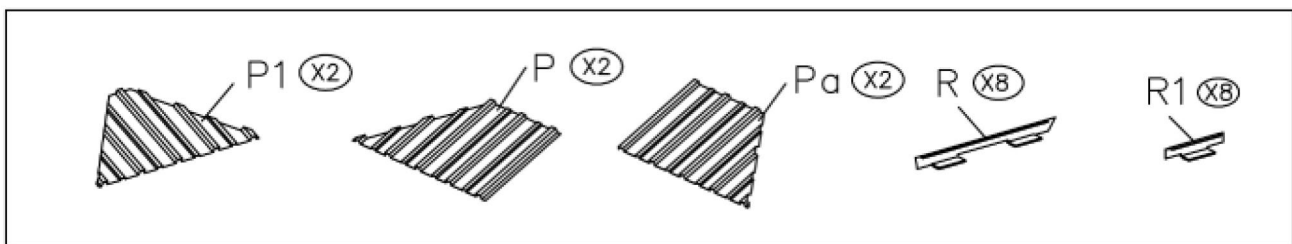
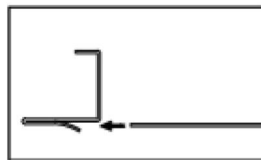
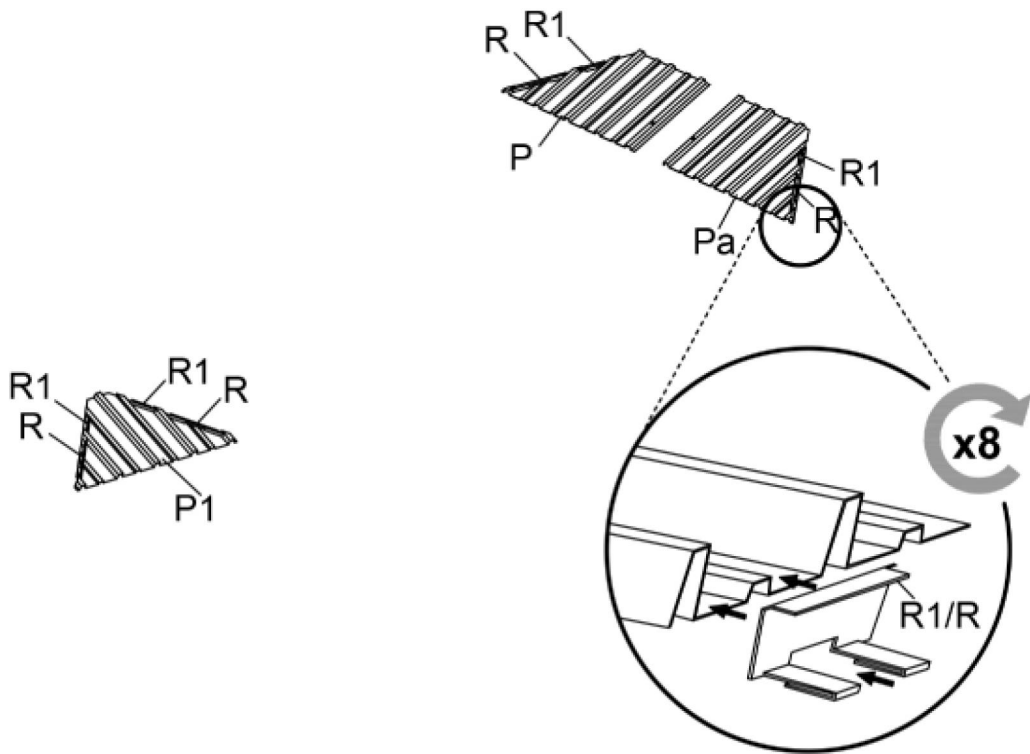
Step 12



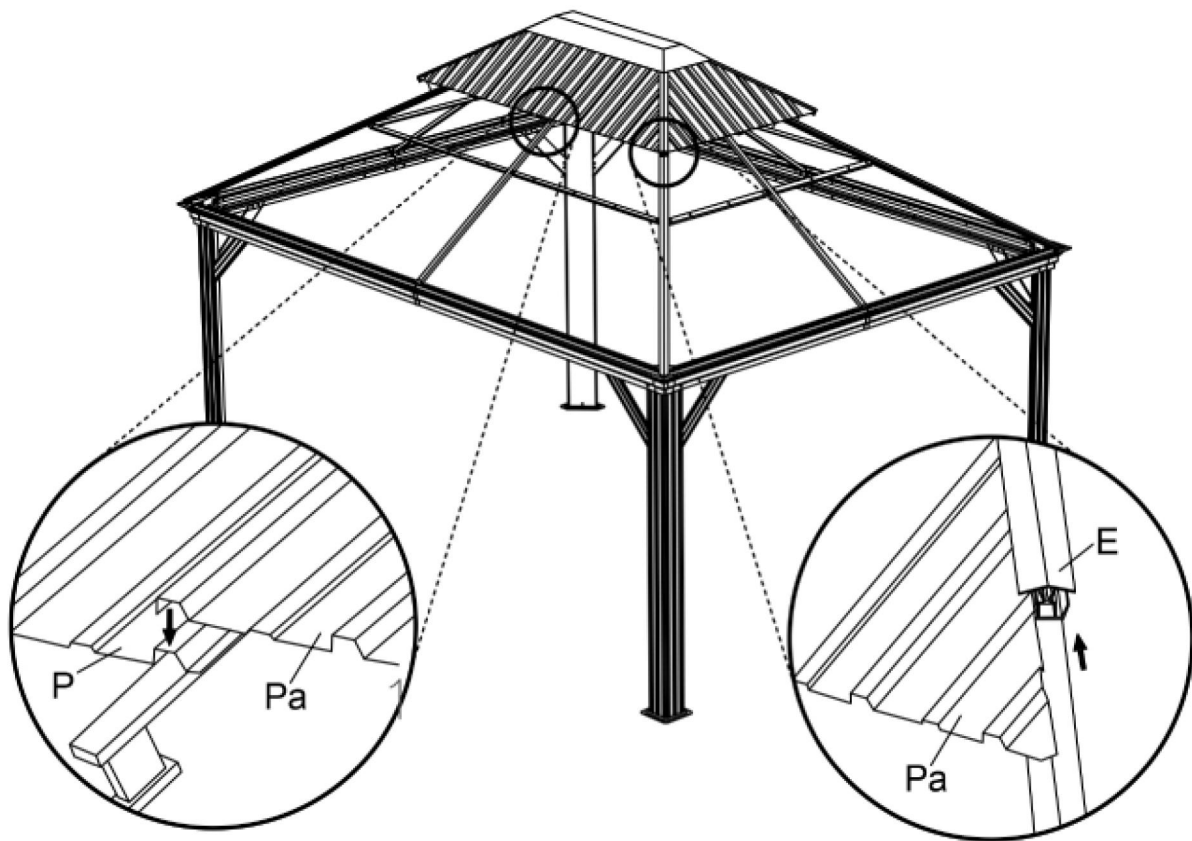
Step 13



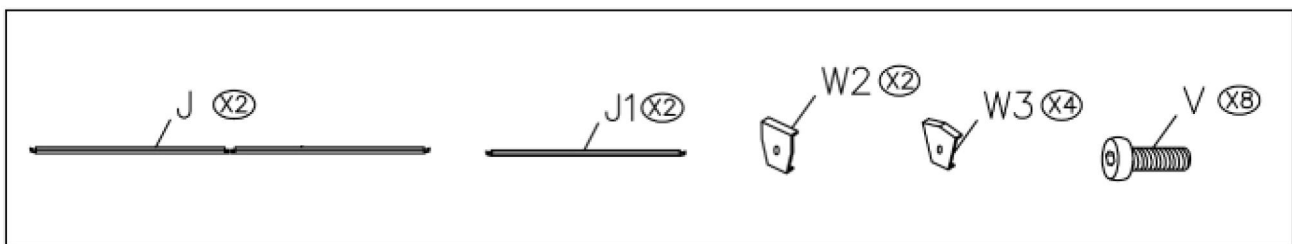
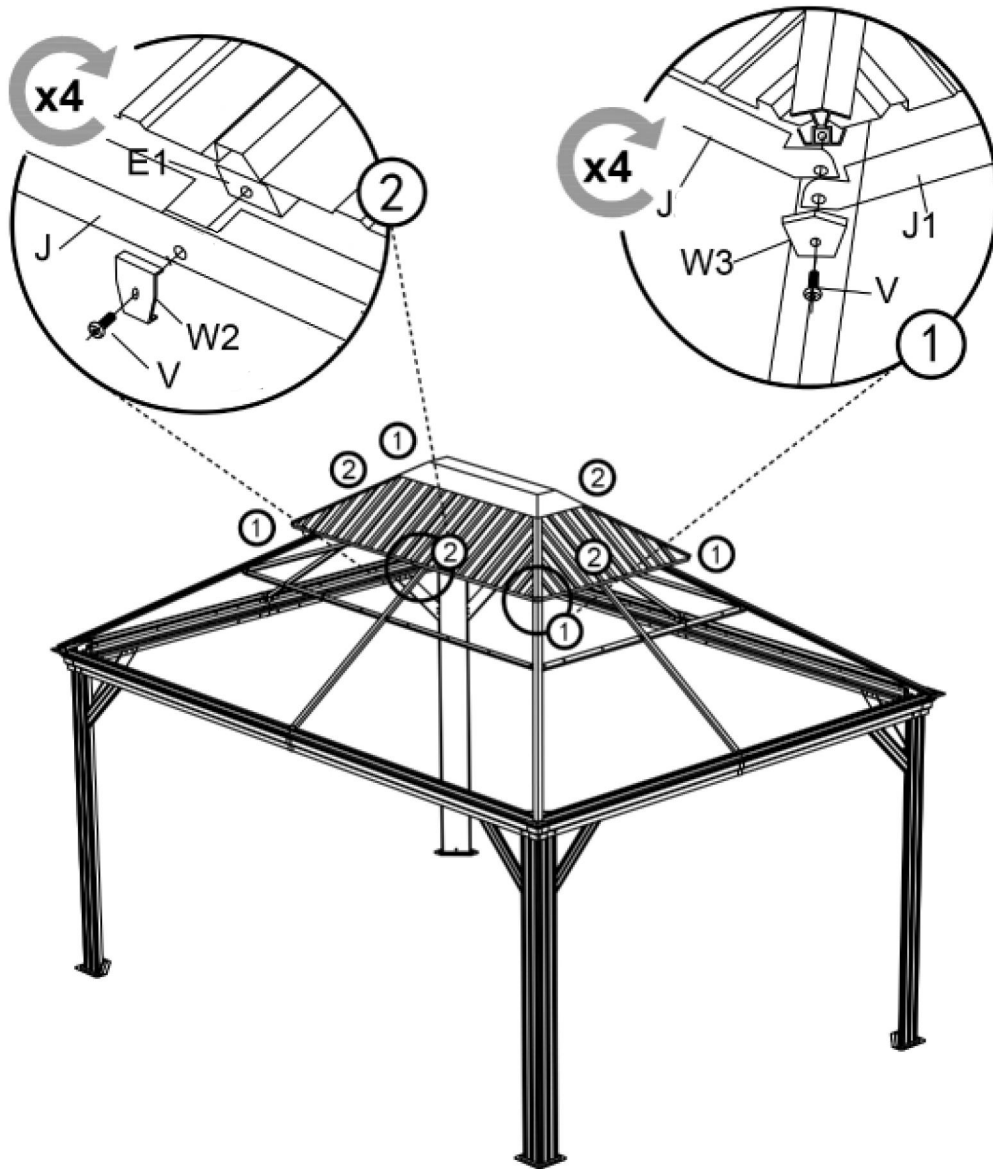
Step 14



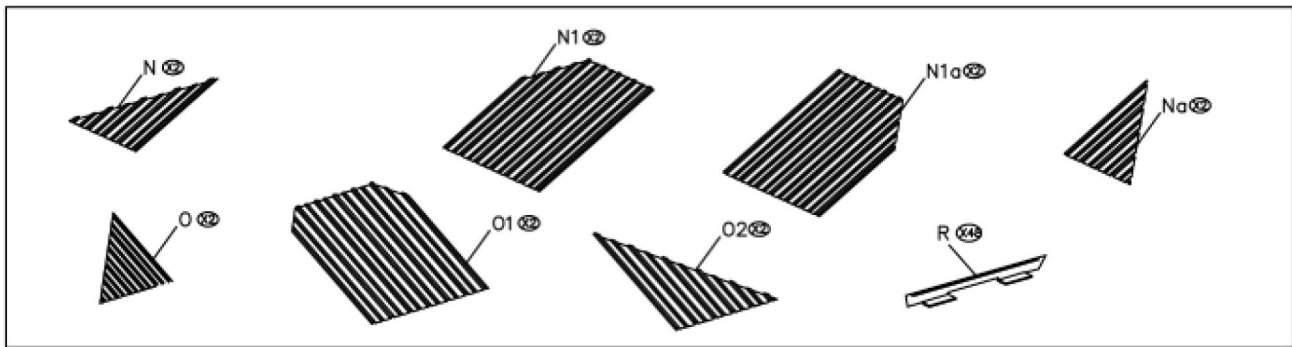
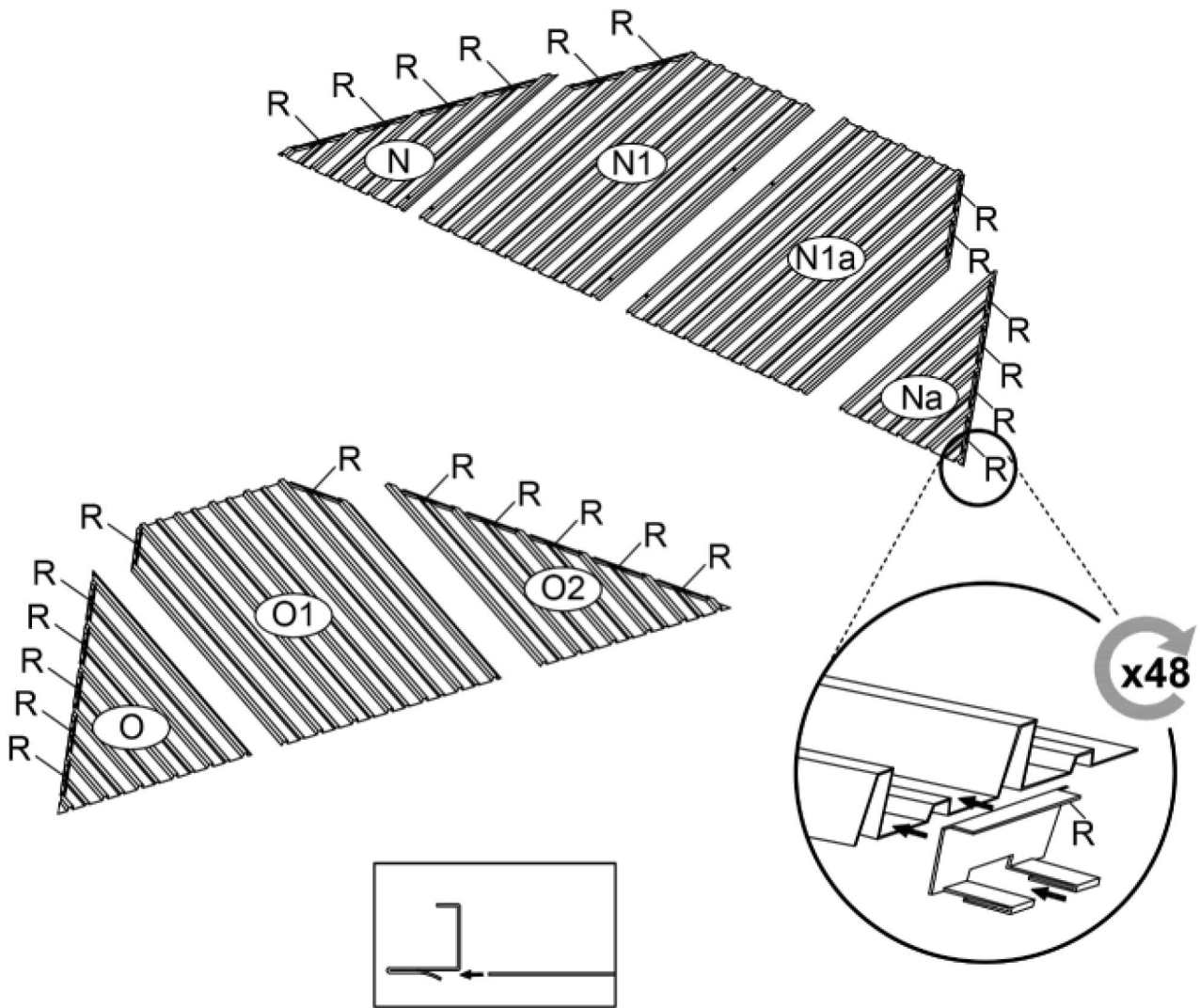
Step 15



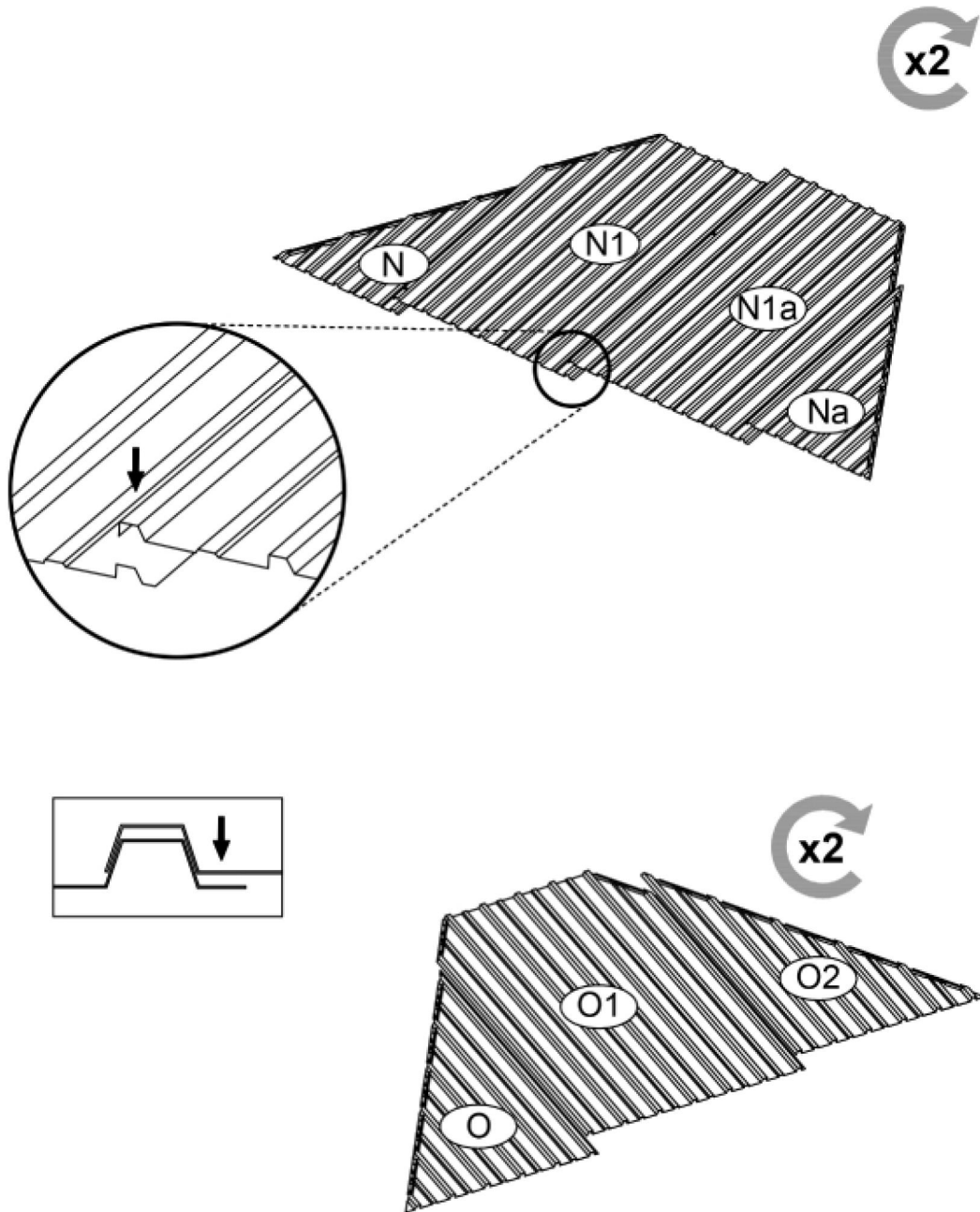
Step 16



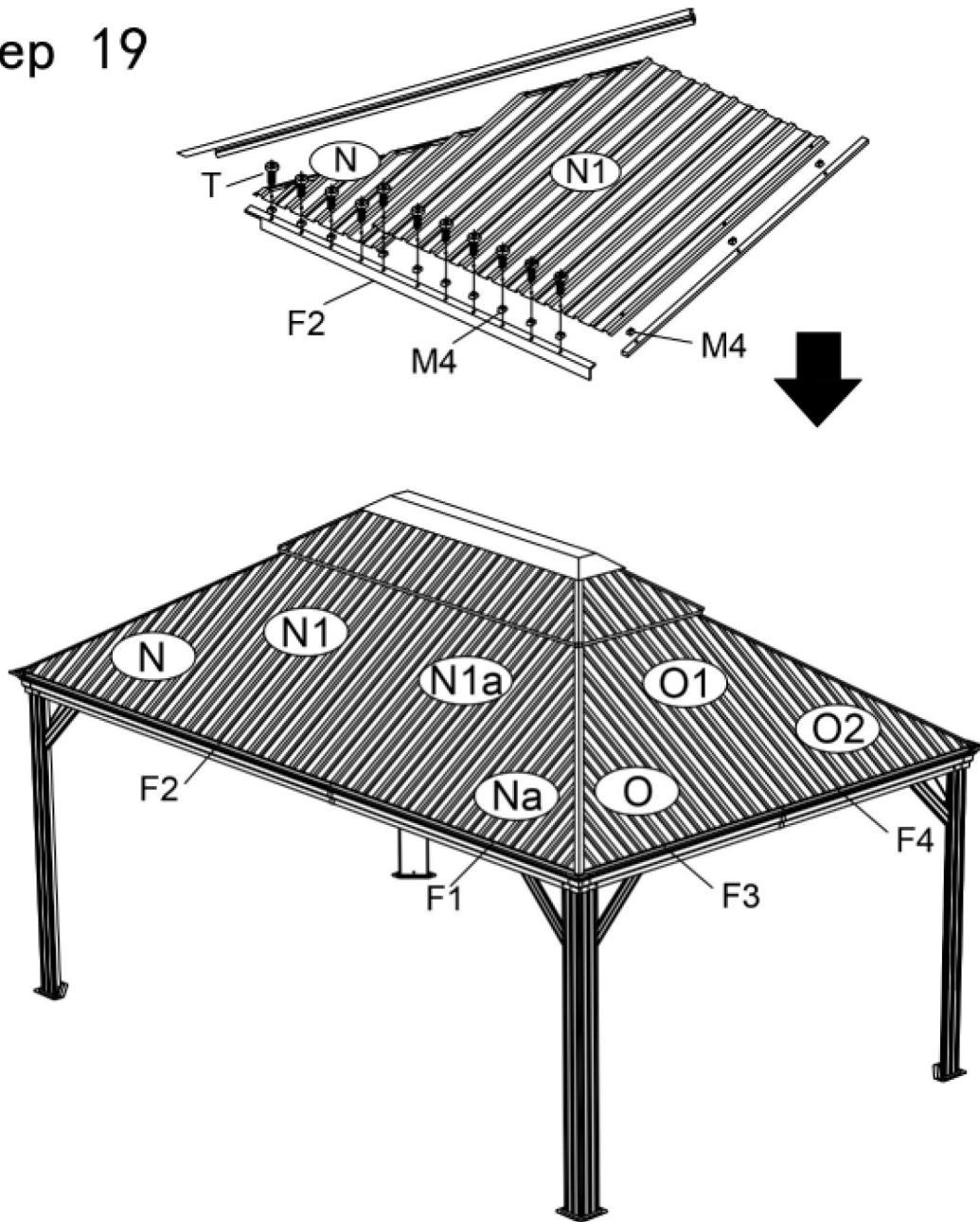
Step 17



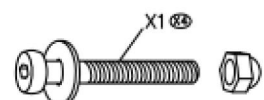
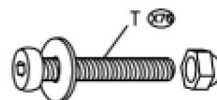
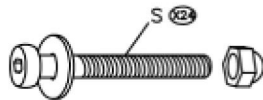
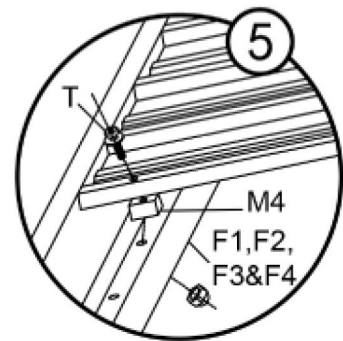
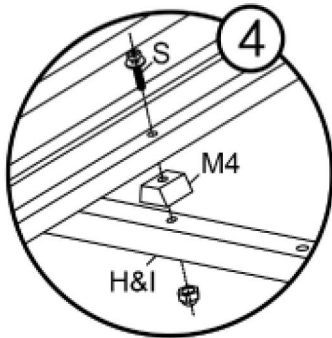
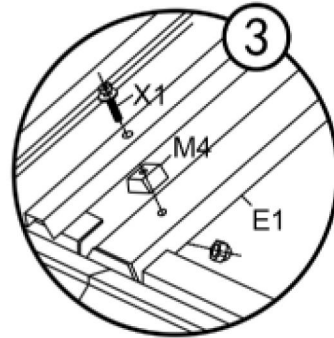
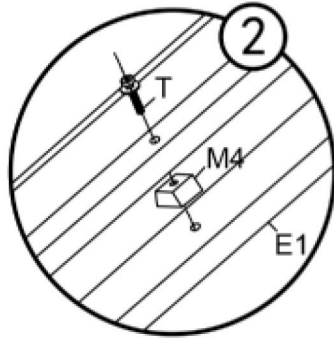
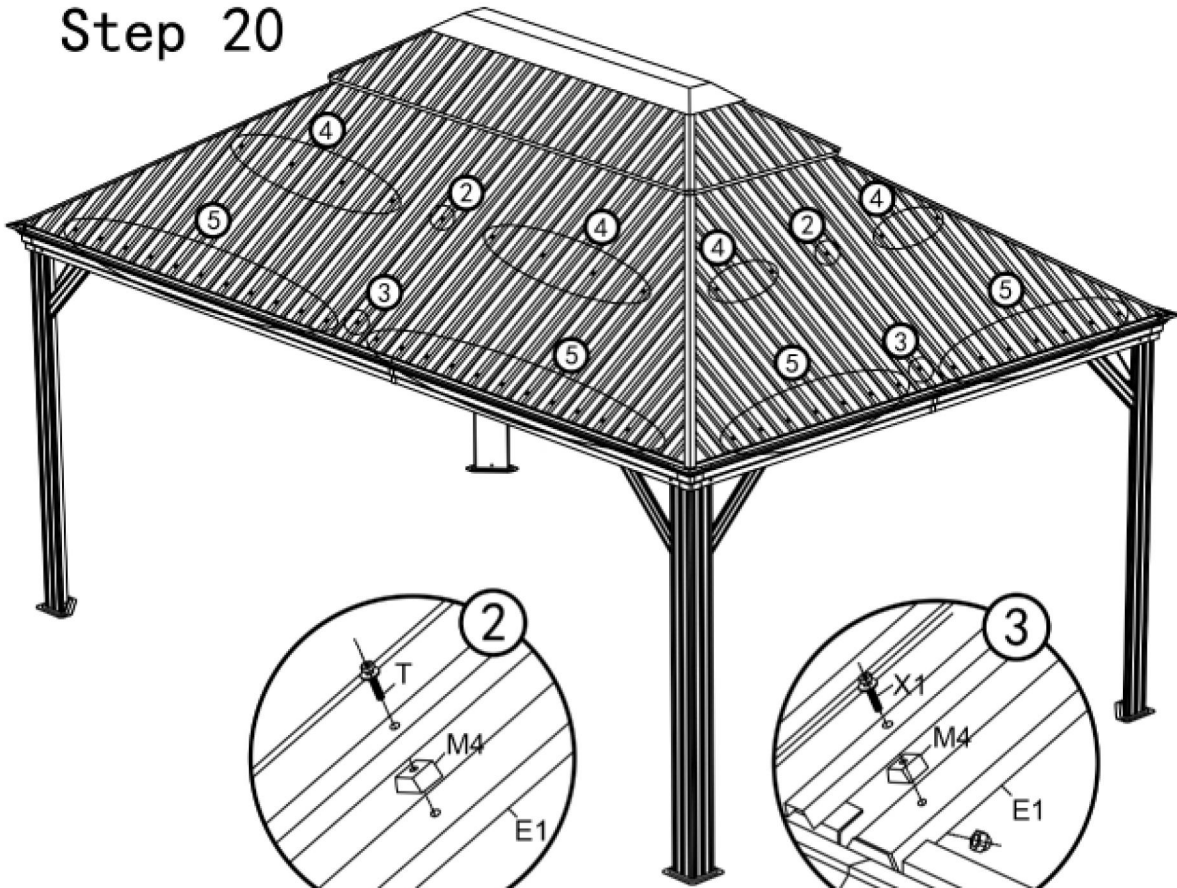
Step 18



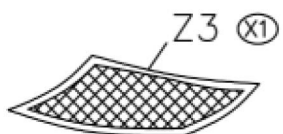
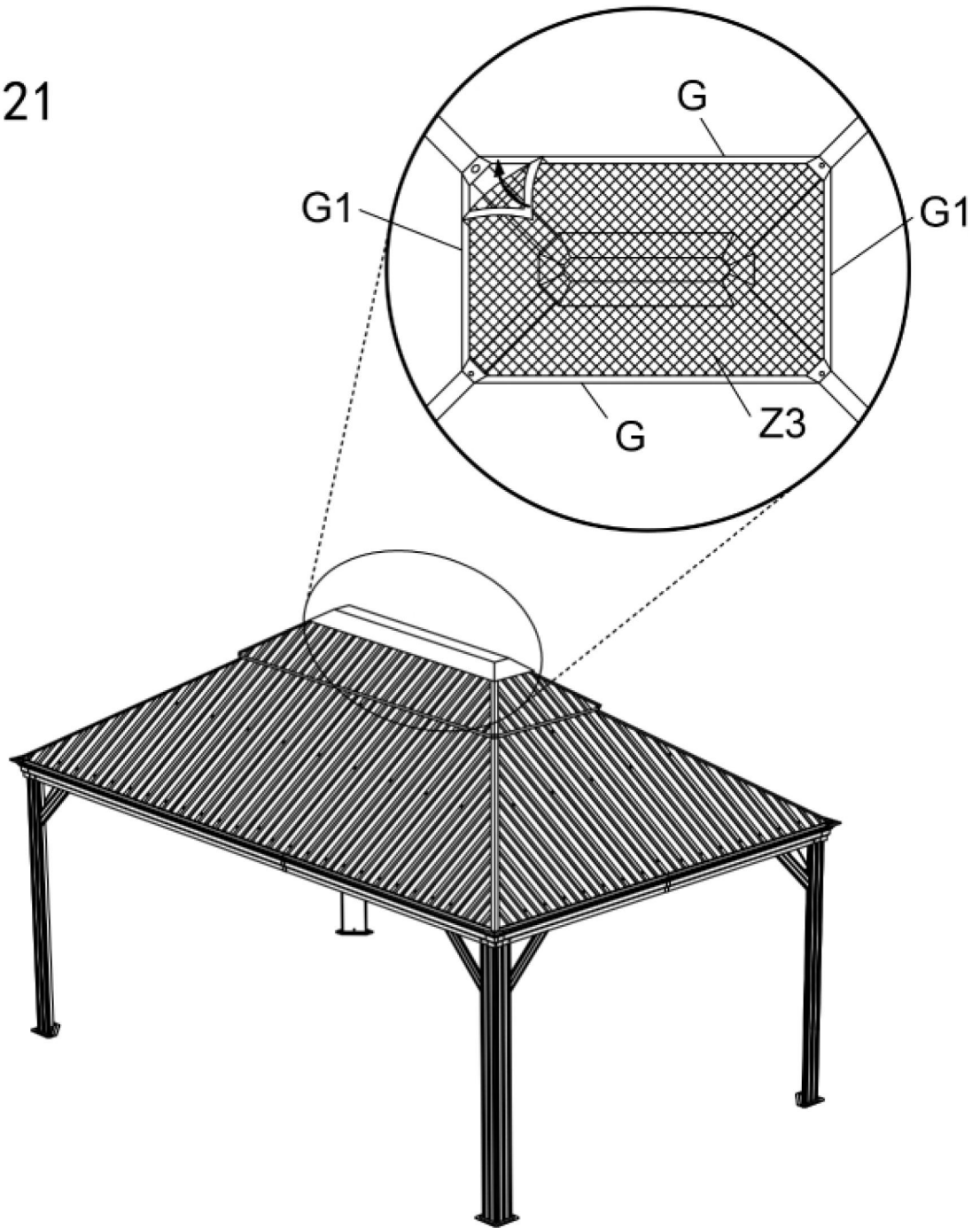
Step 19



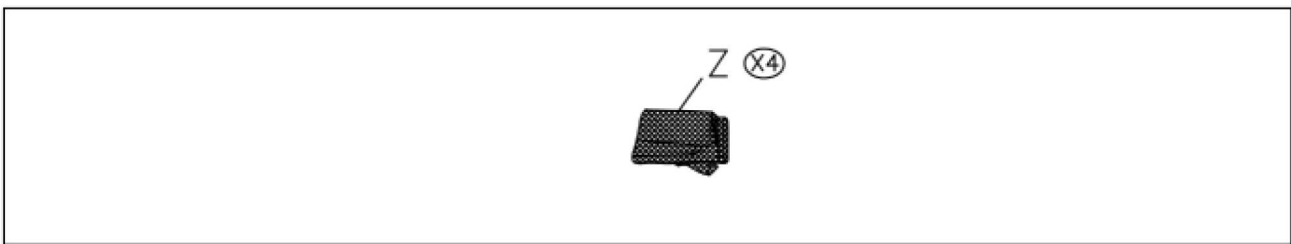
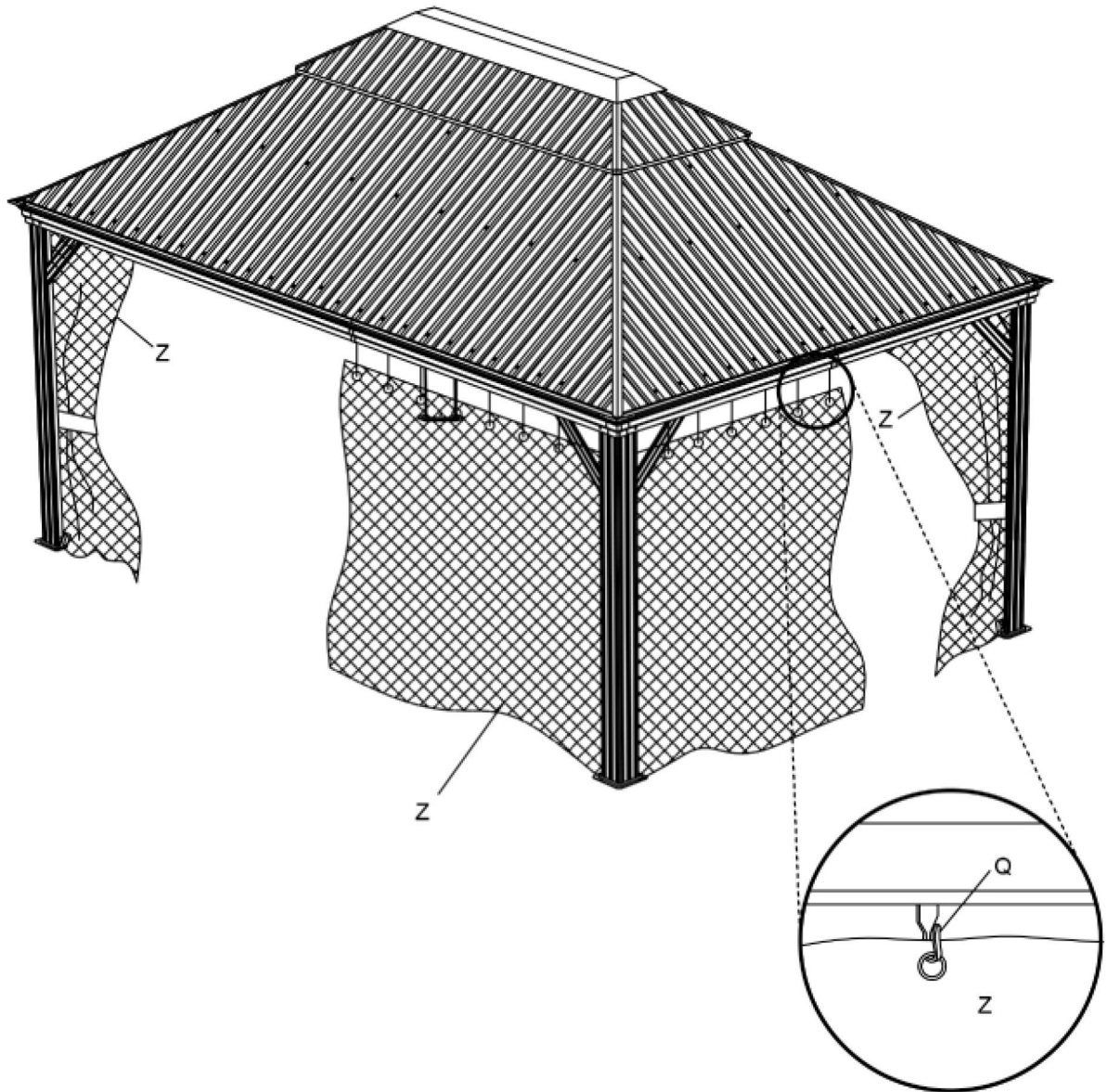
Step 20



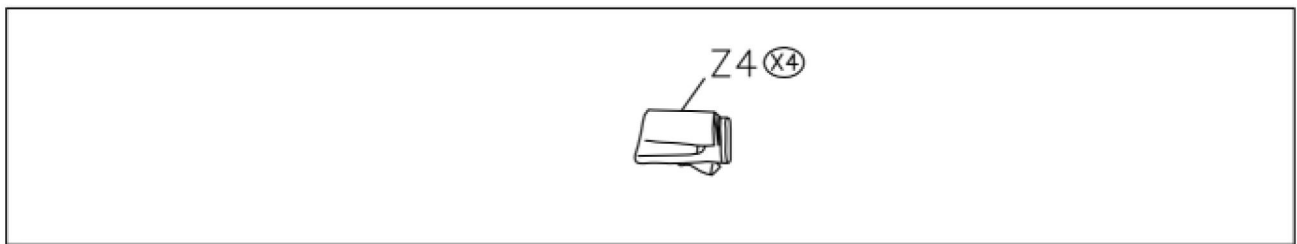
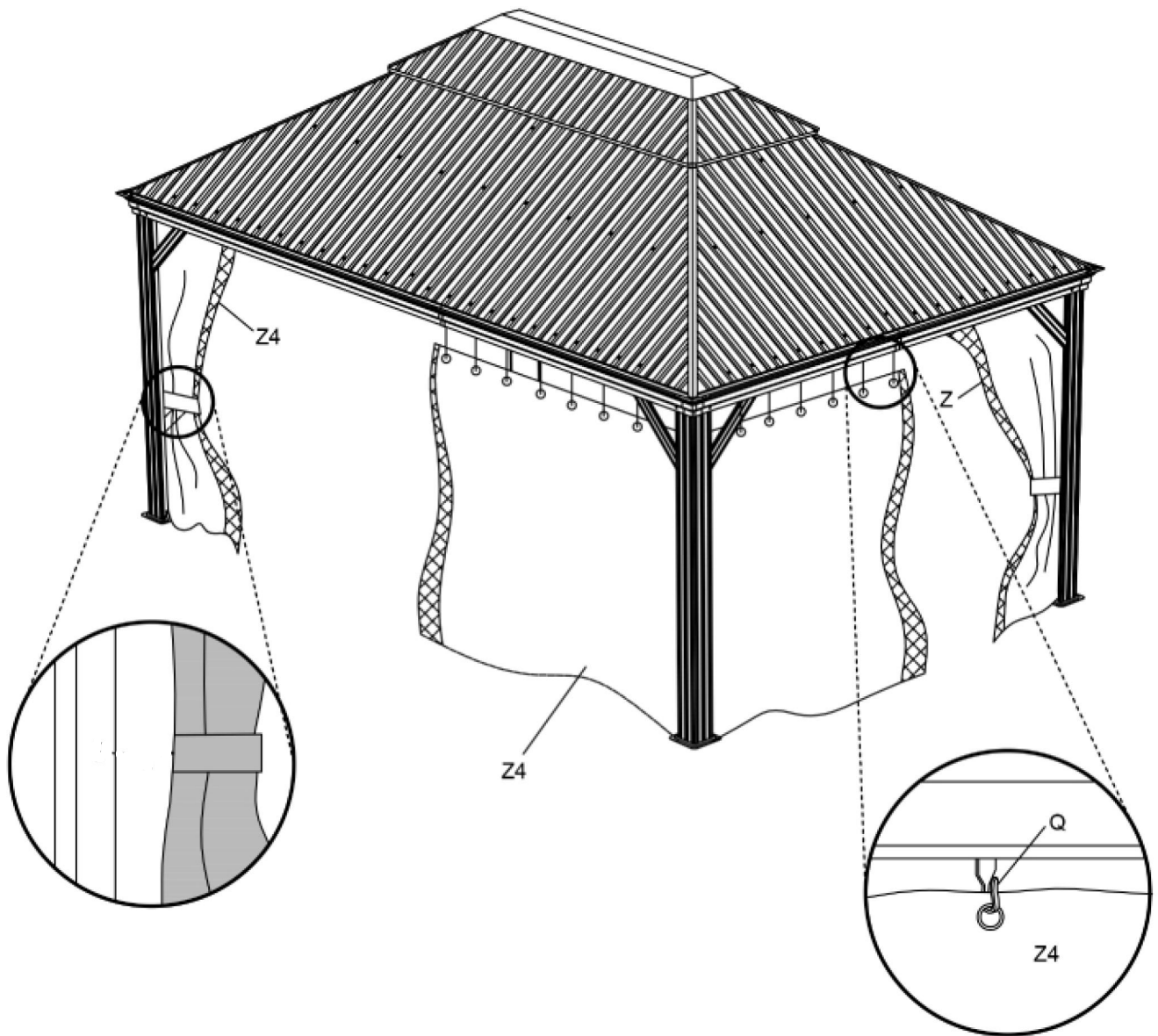
Step 21



Step 22



Step 23



NOTICE

Your proper assembly, installation and use of this structure will ensure many years of valued service from this unit. Please follow all instructions carefully and heed warnings on the carton, included in the box and sewn into the inner tent seams for your own protection and longevity of this unit.

It is built of high quality materials but must be used as intended or it's lifespan will be drastically reduced. Never climb on top of this structure. Do not rest heavy objects against the side of the structure. Failure to observe or comply with these instructions will void the manufacturer's warranty and dramatically reduce the lifespan of the unit.

Please utilize a minimum of three persons and a step ladder to erect this structure safely. Do not attempt to erect the structure during heavy winds or inclement weather. When the structure is erected, please use guy ropes and stakes to secure tightly at all times. If using on a solid surface such as hard ground or concrete/asphalt, be sure to use cinder blocks as anchors on each corner to which you can tie the support/guy ropes. If winds are heavier, it's a good idea to use cinder blocks in addition to ground stakes for extra anchoring support.

WARNING

Do not use candles, matches or open flames of any kind in or near a tent.

Do not cook inside a tent

Build campfires downwind and several metres away from a tent and be sure to fully extinguish campfires before leaving a campsite or before retiring for the night

Exercise extreme caution when using fuel-powdered lanterns on heaters inside a tent and use battery-operated and use battery-operated lanterns whenever possible

Do not refuel lamps, heaters or stoves inside a tent

Extinguish or turn off all lanterns before going to sleep

Do not smoke in a tent

Do not store flammable liquids inside a tent

Contact information

Austria



Belgium



Croatia



Denmark



Estonia



Finland



France



Germany



Ireland



Italy



Latvia



Lithuania



Nederland



Norway



Poland



Portugal



Spain



Sweden



Switzerland



UK

