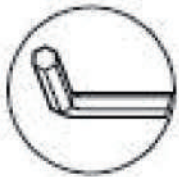


DANCOVER[®]



Manual
for
Gazebo 3x3m



Use the hex keys in the box.



You may need to use a drill for this step.



Three or more people are required at this stage.


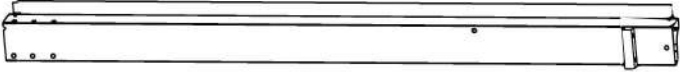





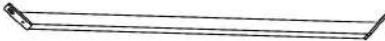







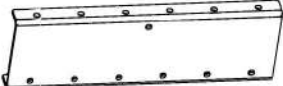


You may need a ladder.




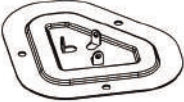






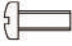



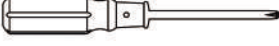


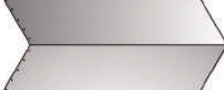


Do not tighten screws all the way for now.

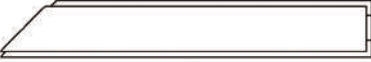


ASSEMBLY INSTRUCTION

PARTS NO	DESCRIPTION	QTY
1		4
2		4
3		4
6		4
7		4
8		4
9		4
11		12
12		4
14		1
15		4
18		4
18A		4
19		4
		4
20		4

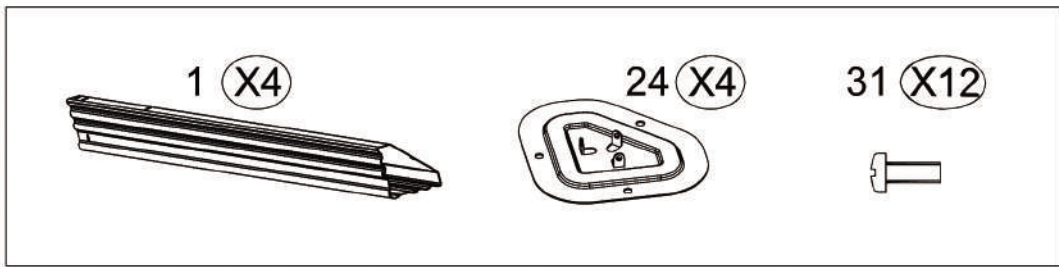
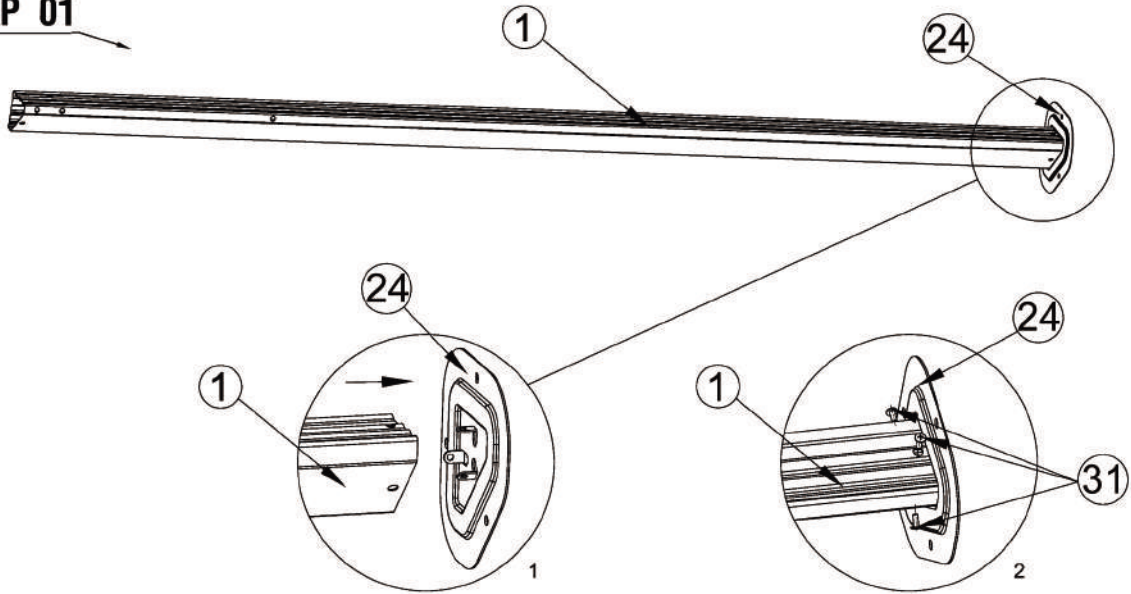
ASSEMBLY INSTRUCTION

PARTS NO	DESCRIPTION	QTY
21		4
22		4
23		1
24		4
38		8
26		4
27		4
28		12
29		112
30	 ST5 * 10 mm	32
31	 M5 * 10 mm	12
32	 M6 * 12 mm	8
33	 M6 * 15 mm	178
34	 M6 * 30 mm	16
35		1
36		2
37		12
25		4

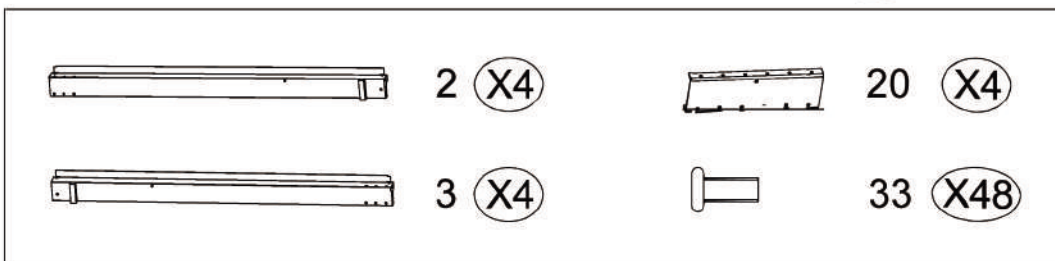
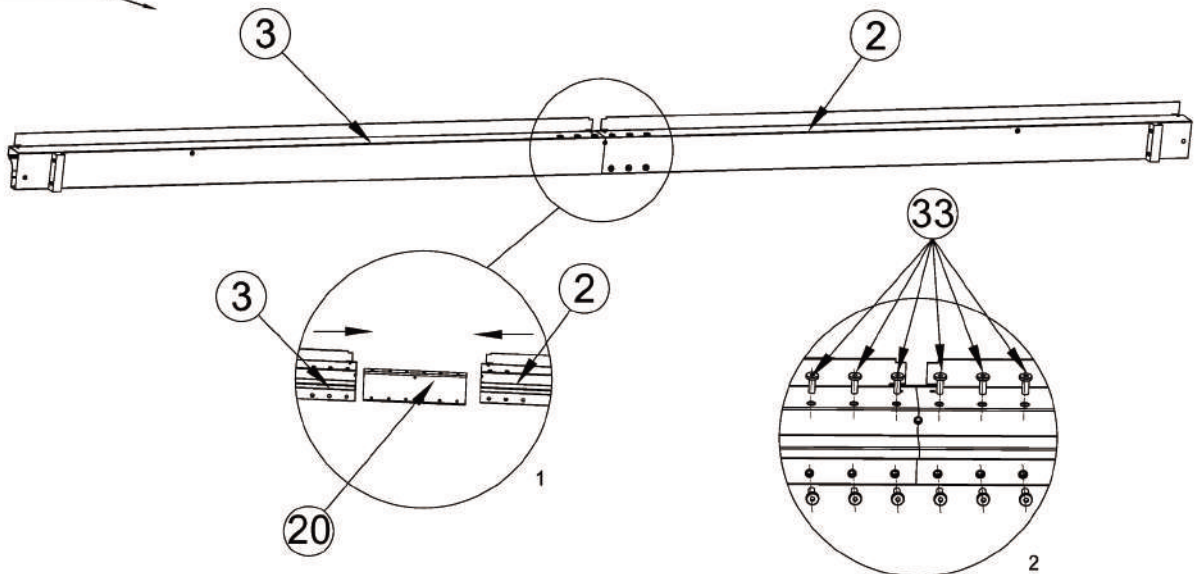
ASSEMBLY INSTRUCTION

PARTS NO	DESCRIPTION	QTY
40		4
41		4
43		4

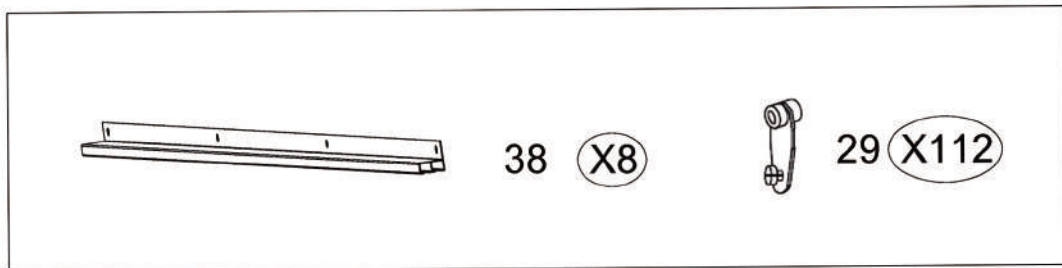
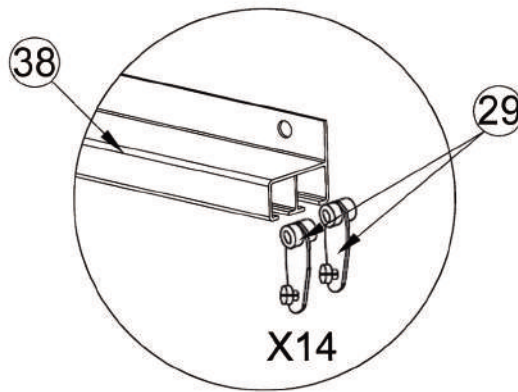
STEP 01



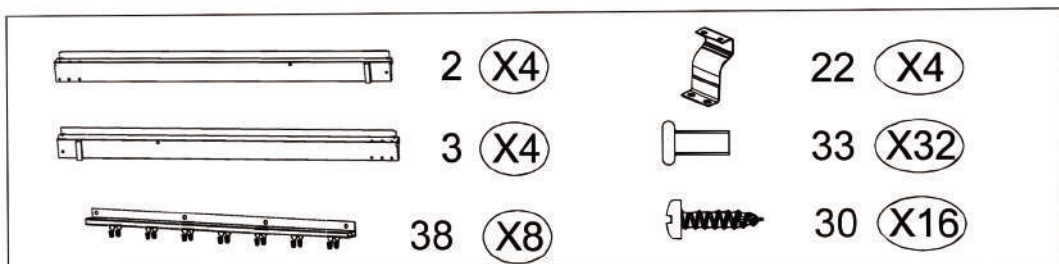
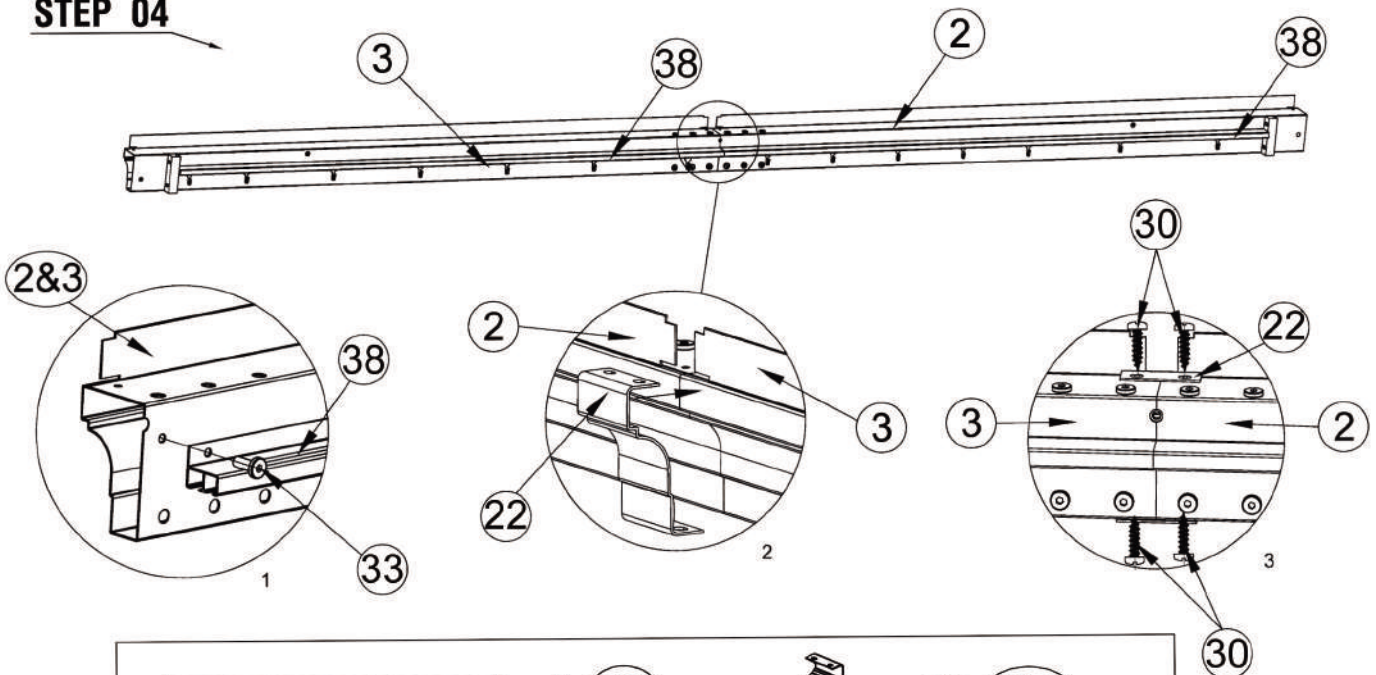
STEP 02



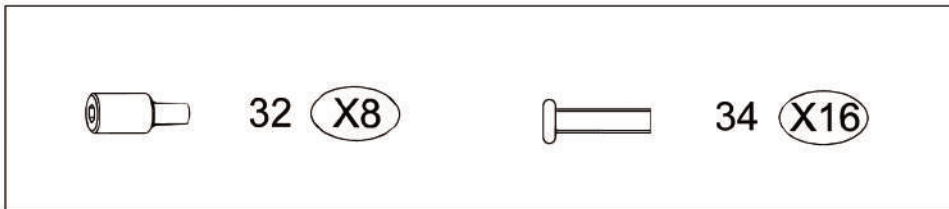
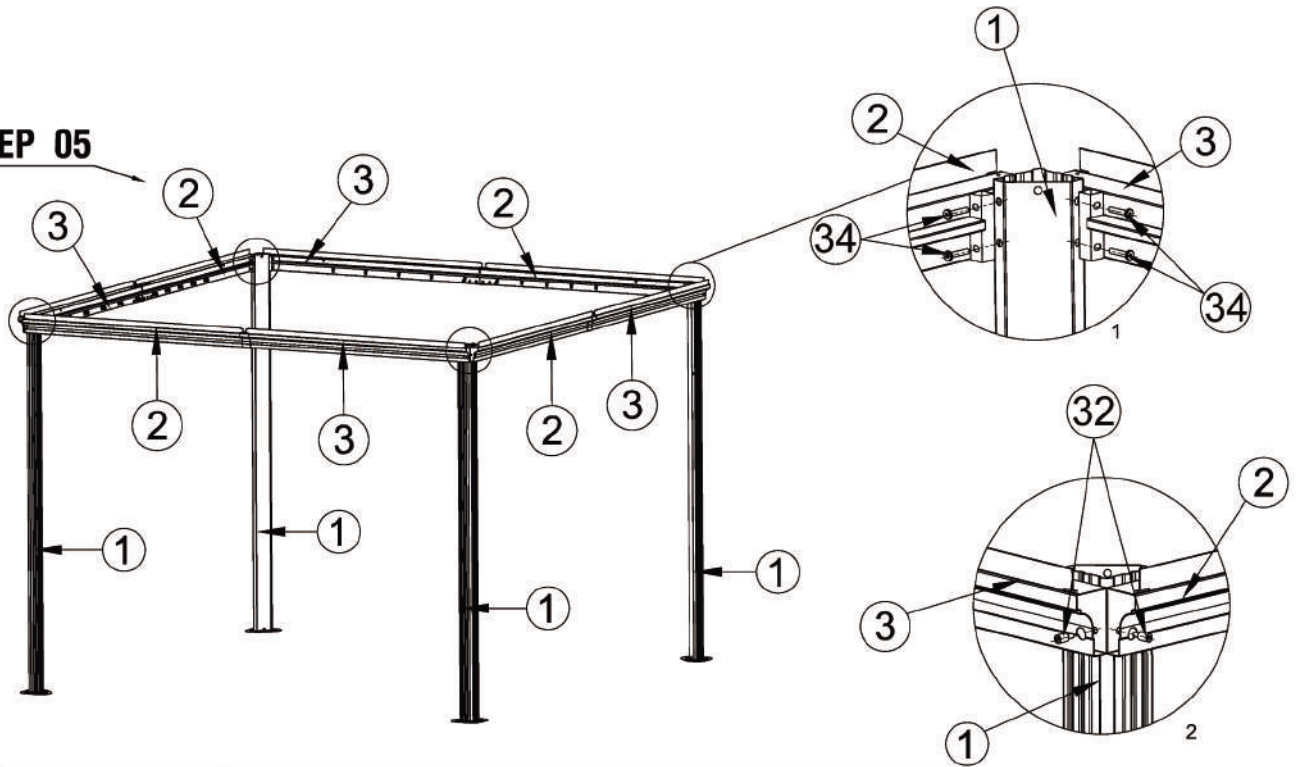
STEP 03



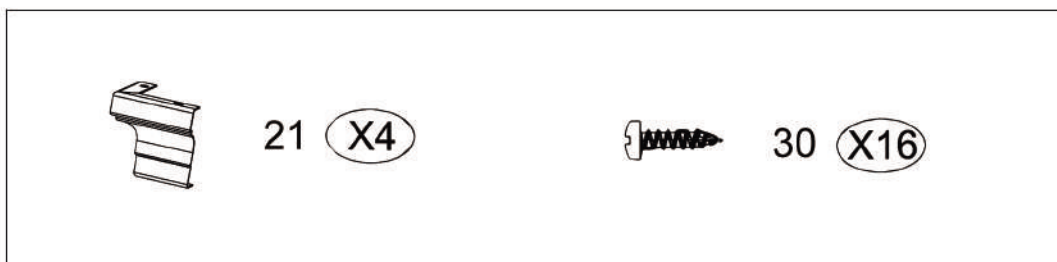
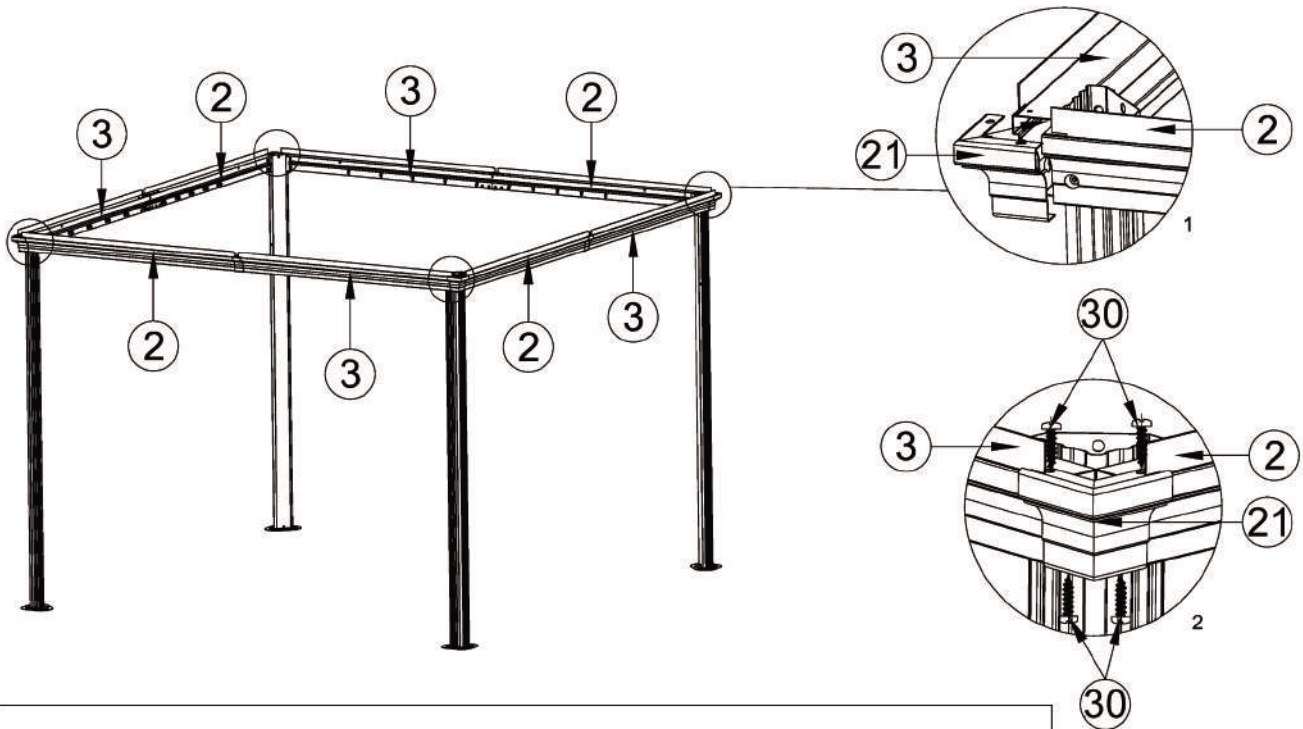
STEP 04



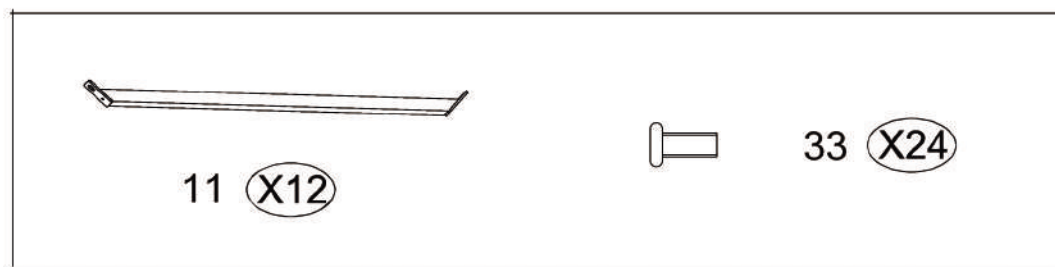
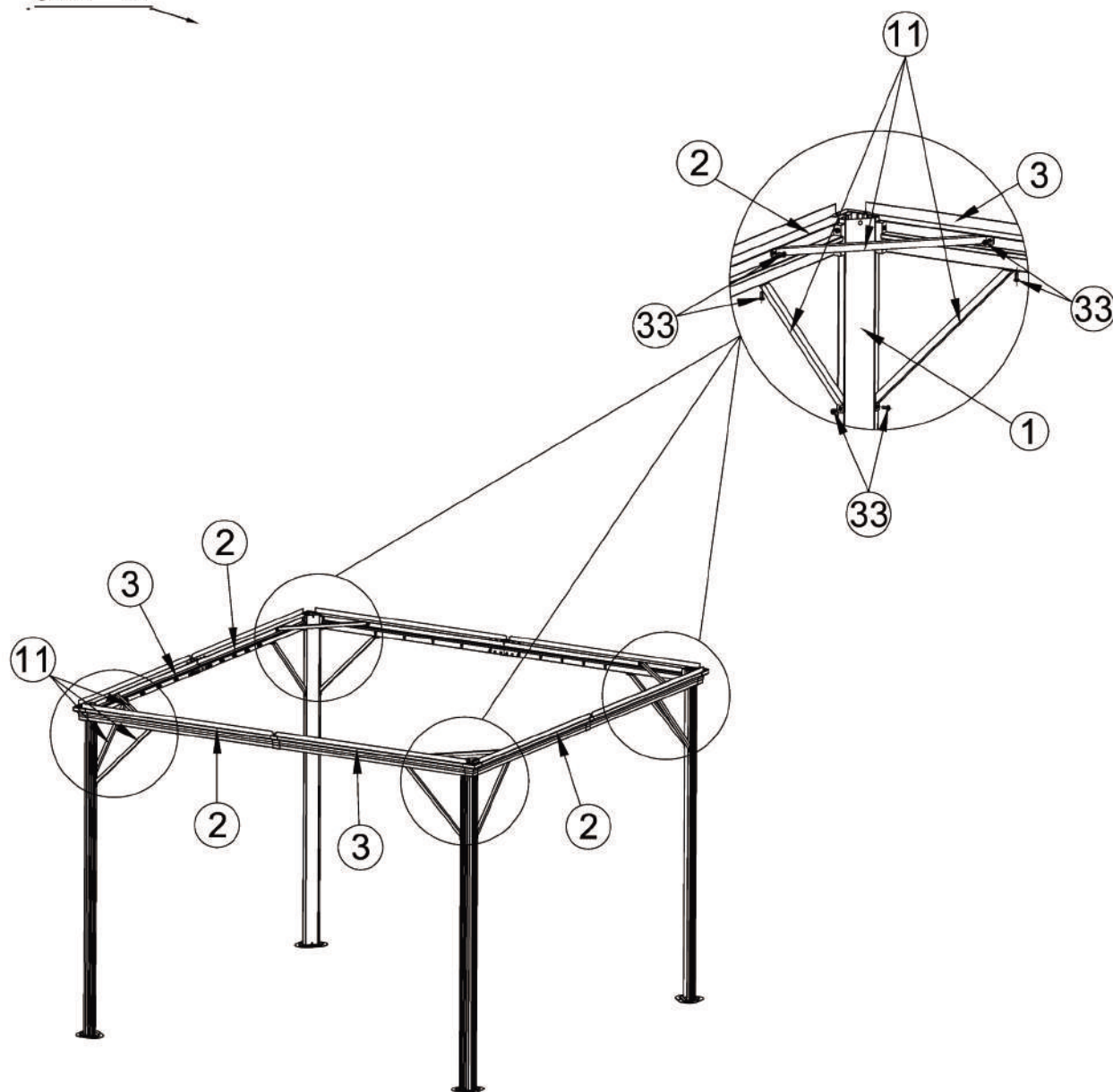
STEP 05



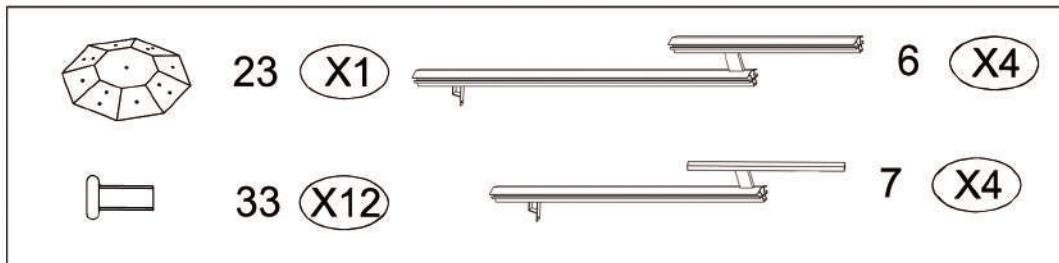
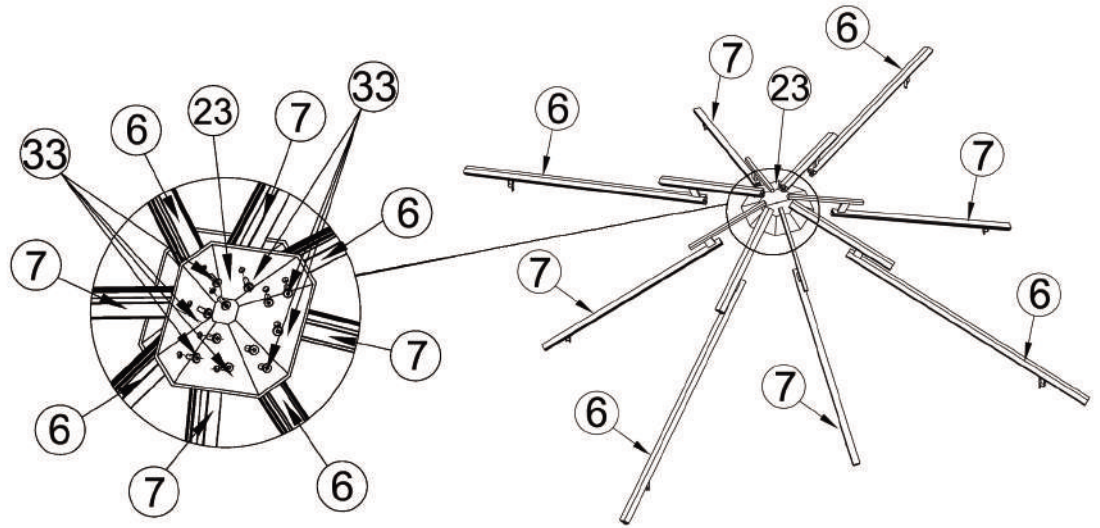
STEP 06



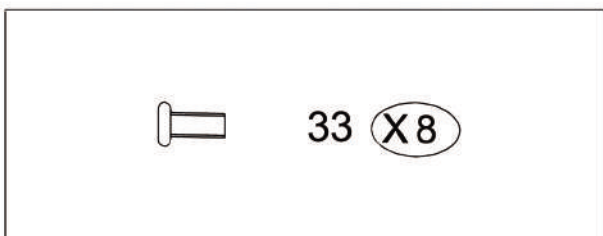
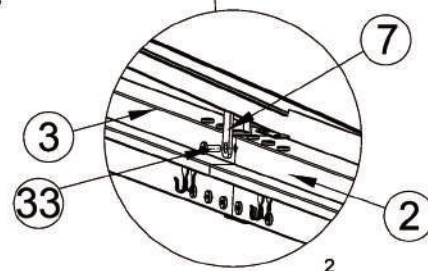
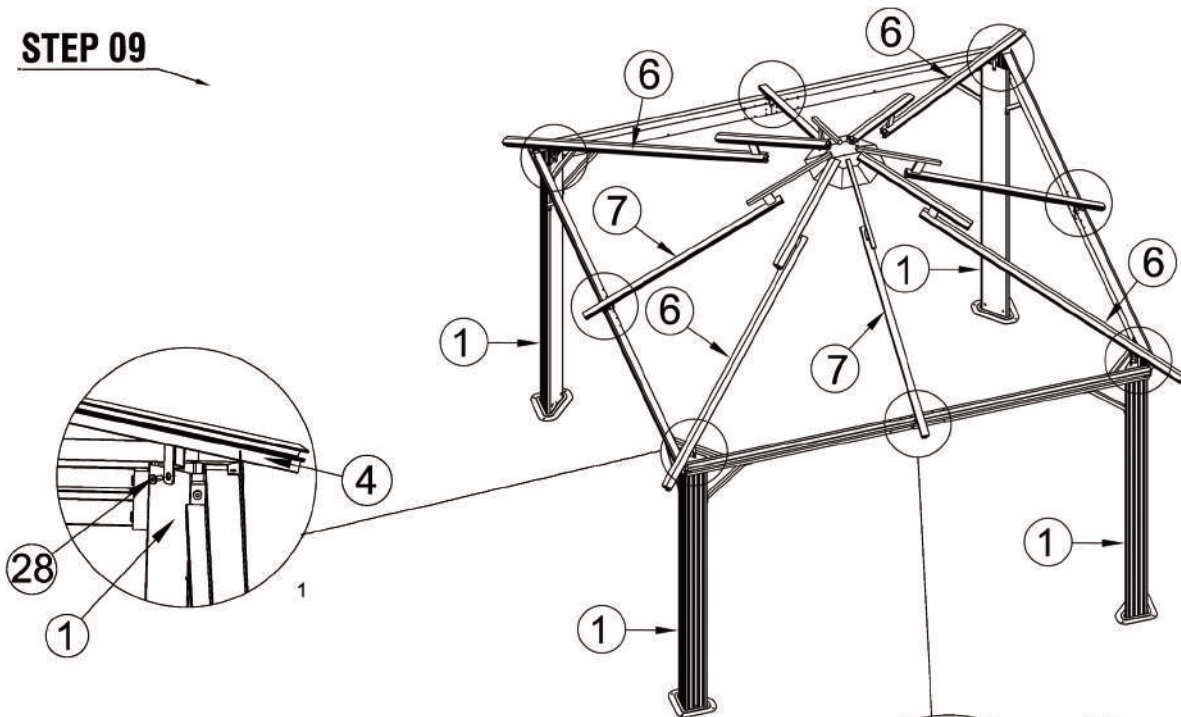
STEP 07



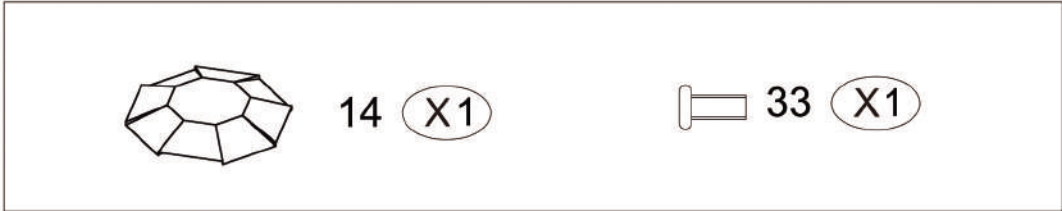
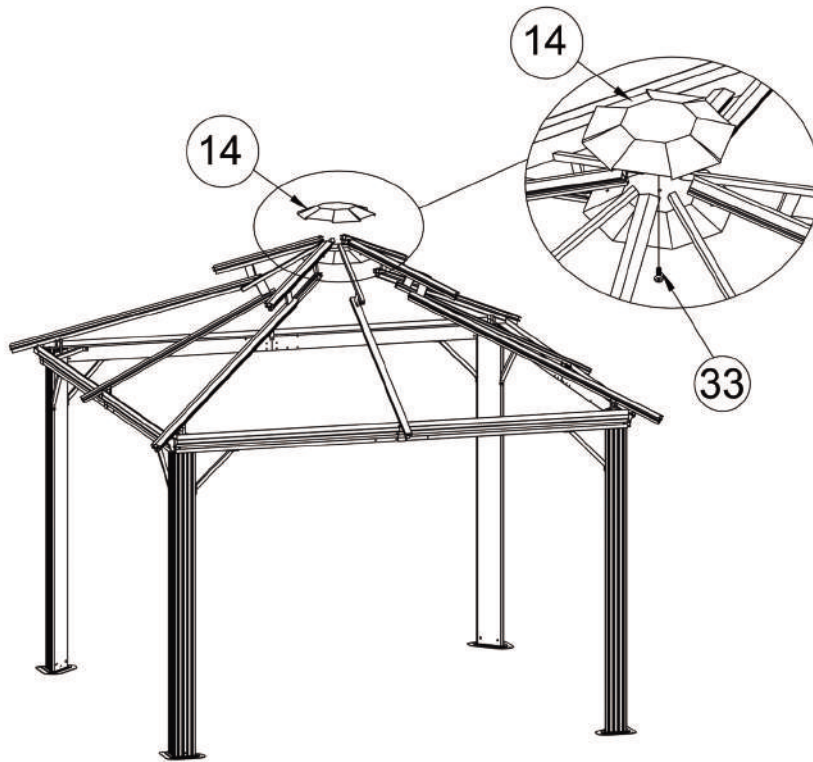
STEP 08



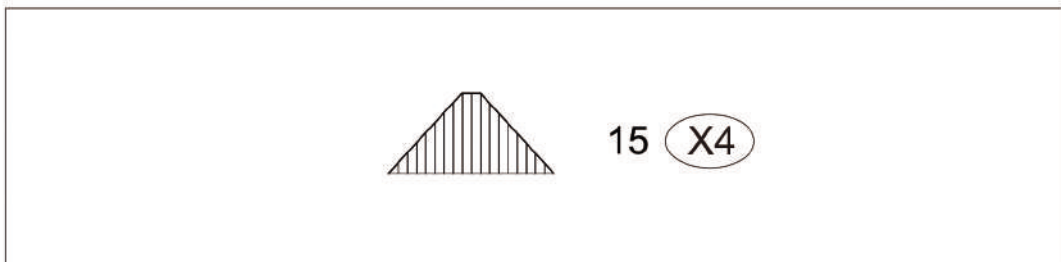
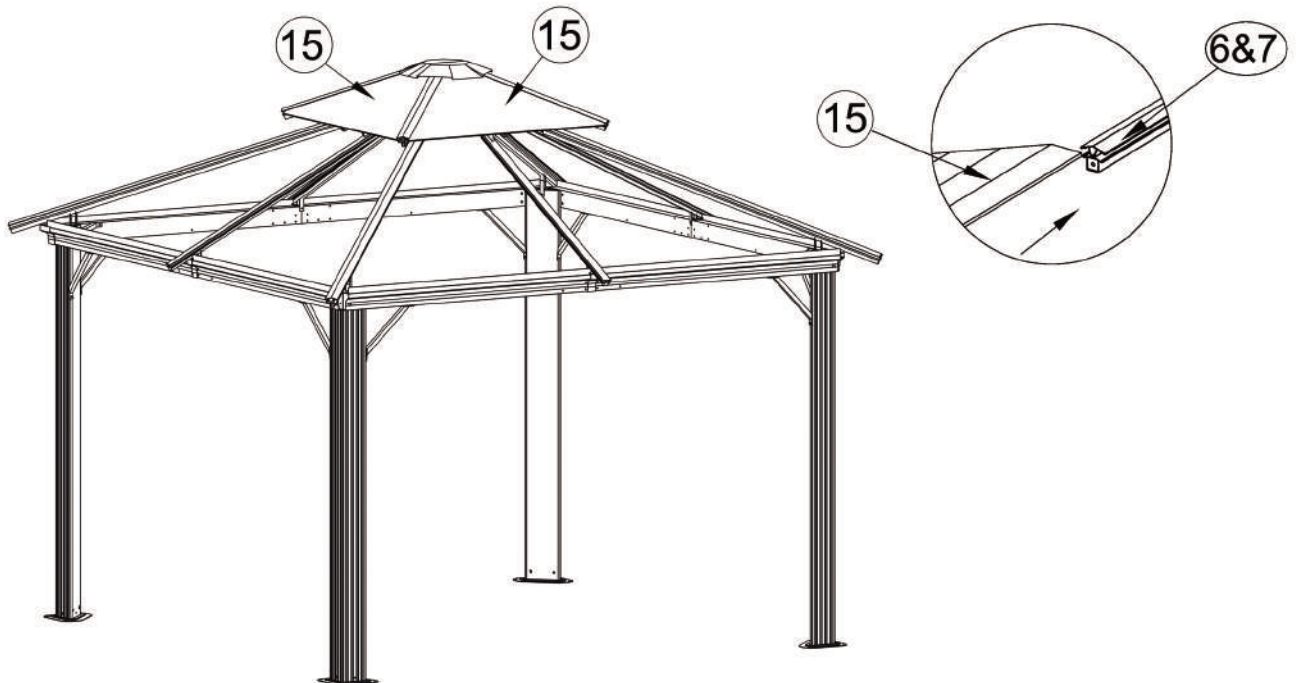
STEP 09



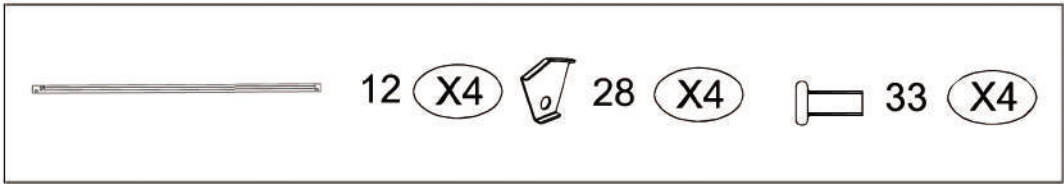
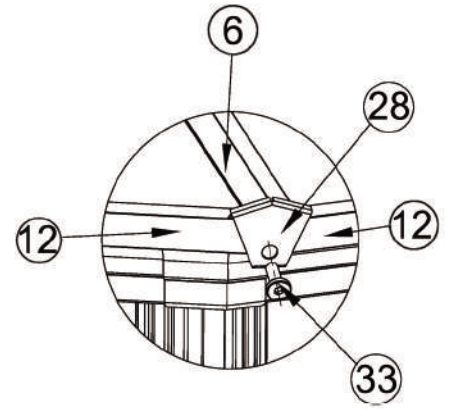
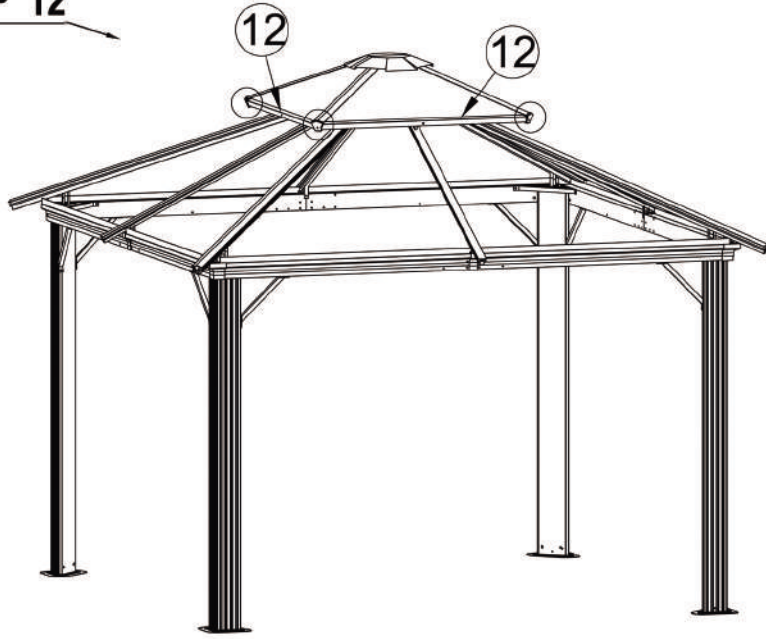
STEP 10



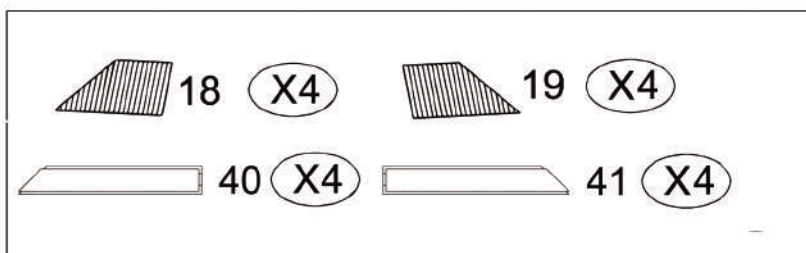
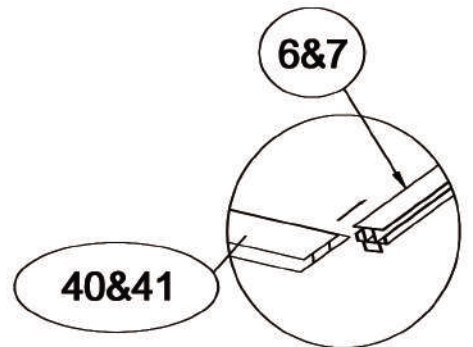
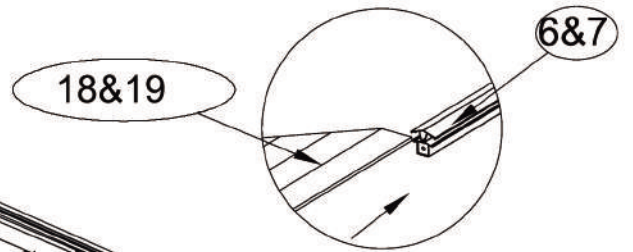
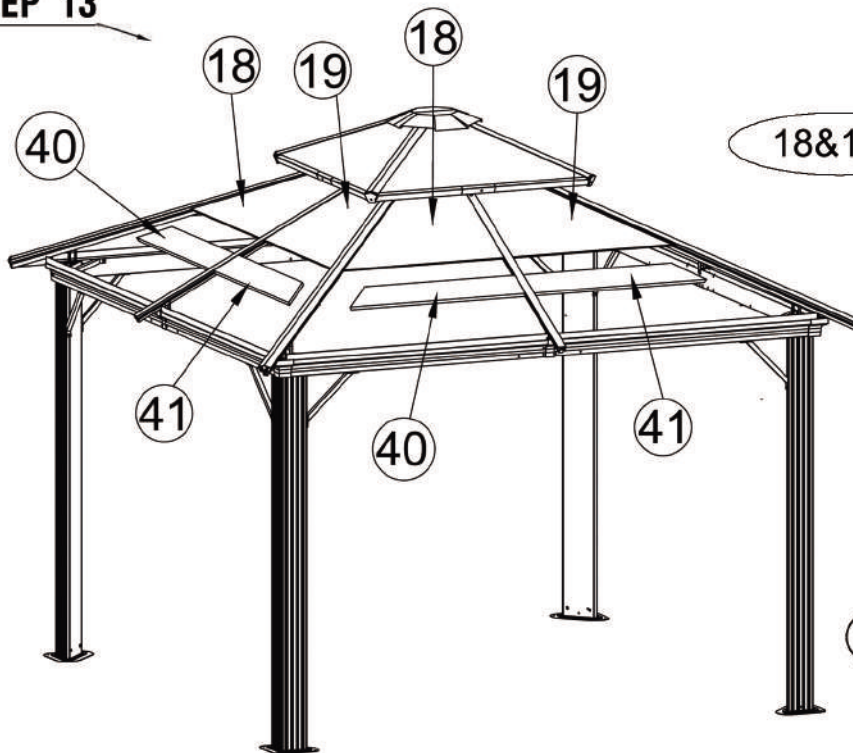
STEP 11



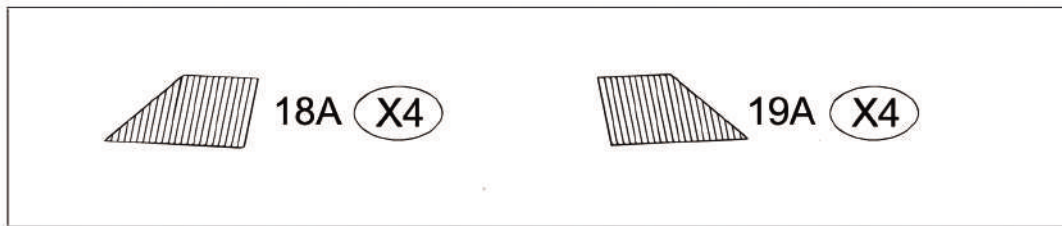
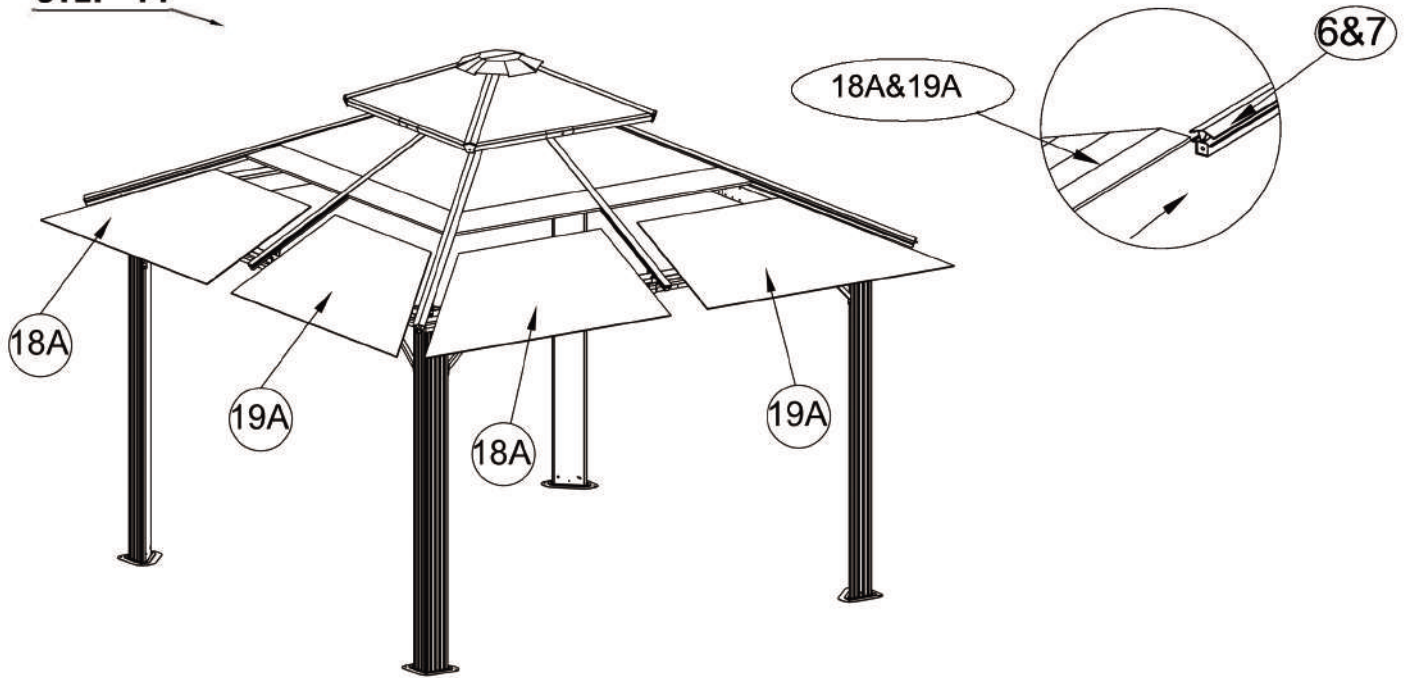
STEP 12



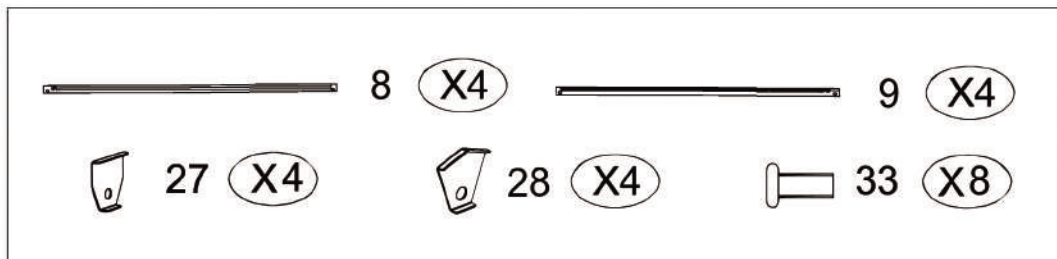
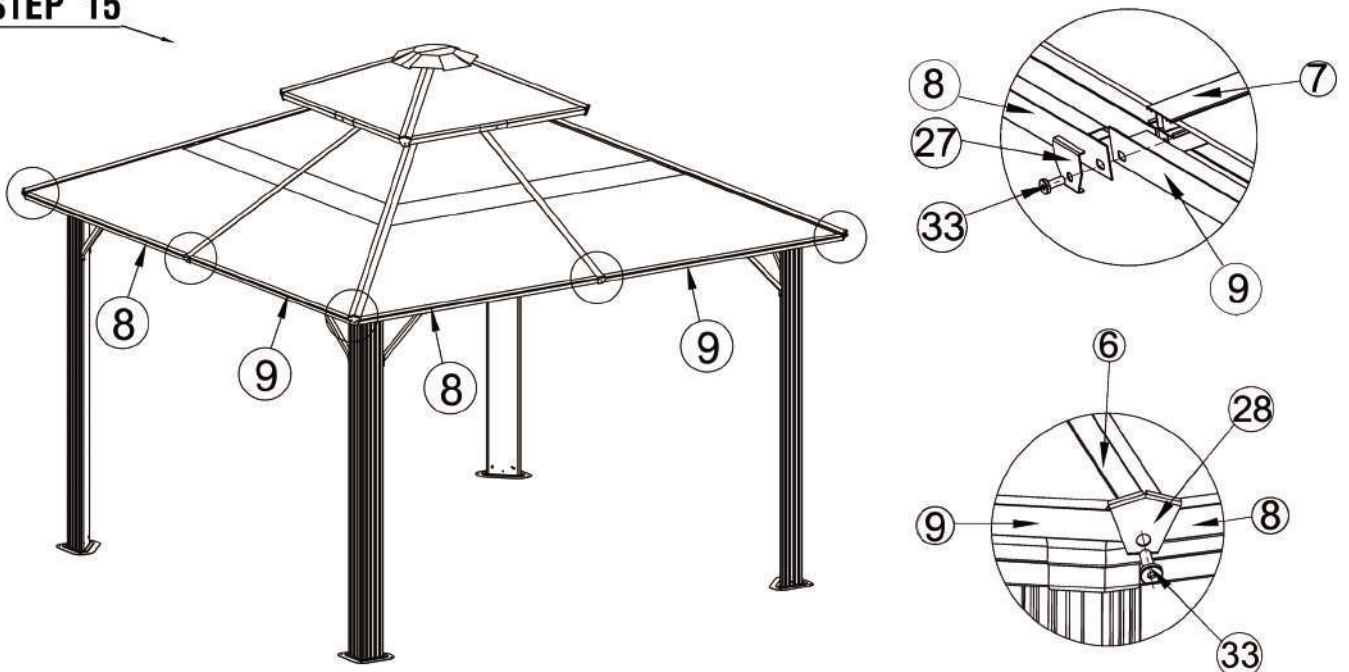
STEP 13



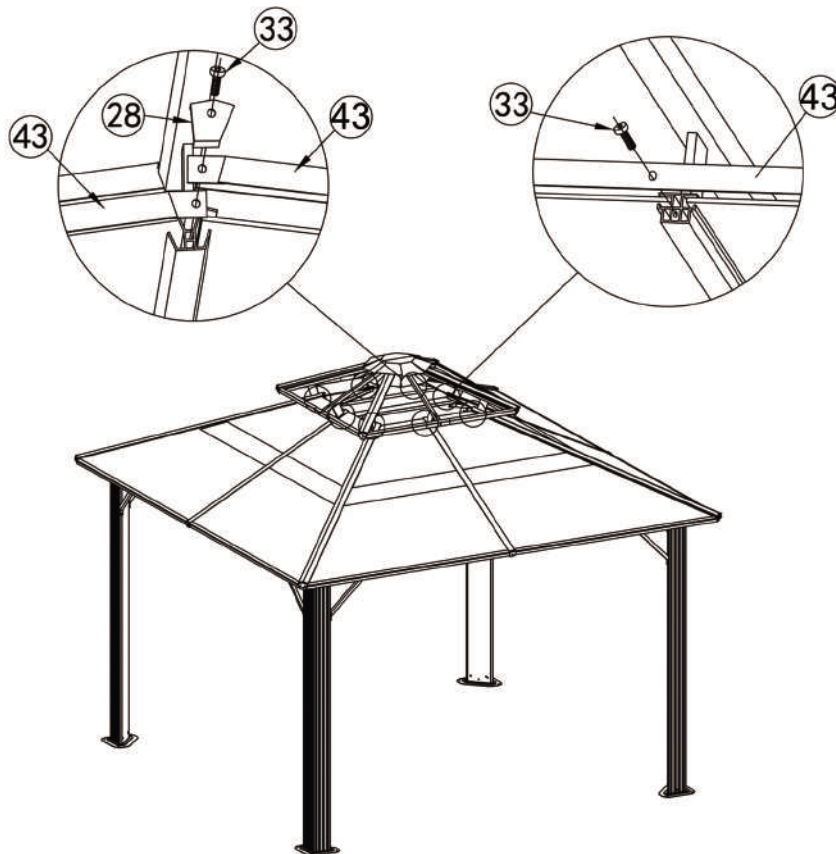
STEP 14



STEP 15



STEP 16



43 X4

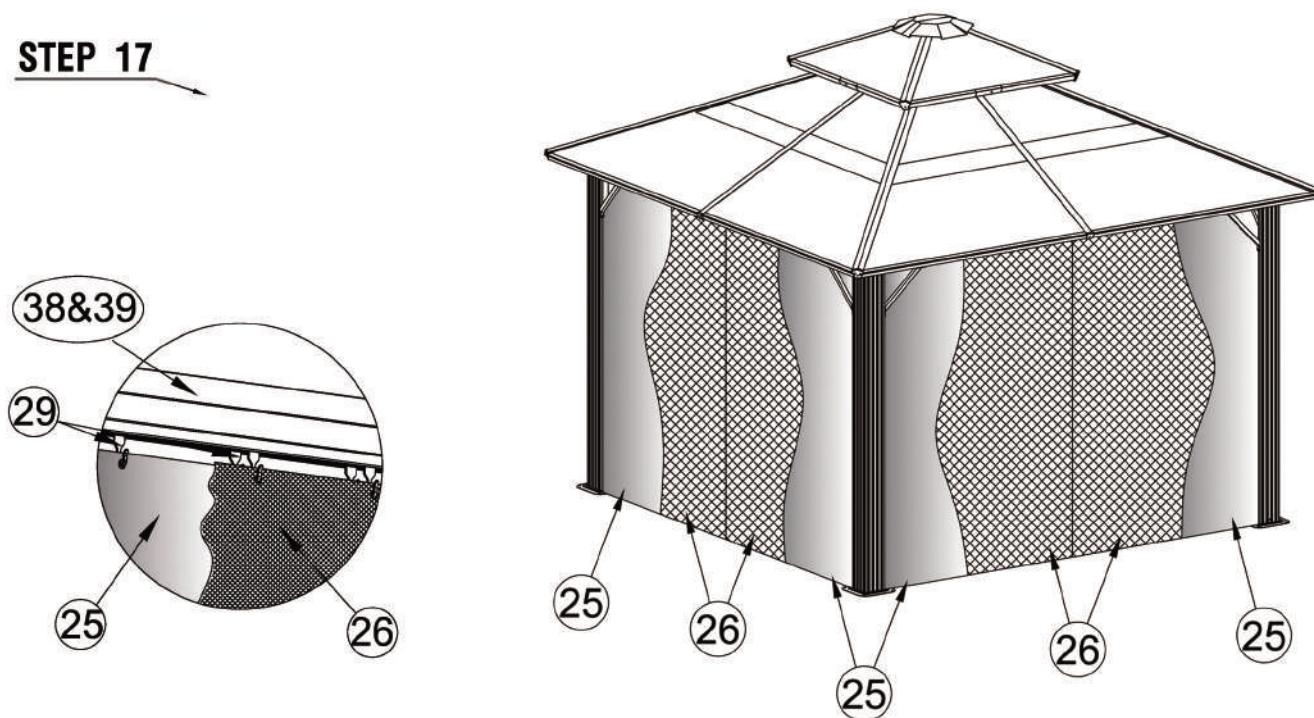


28 X4



33 X8

STEP 17

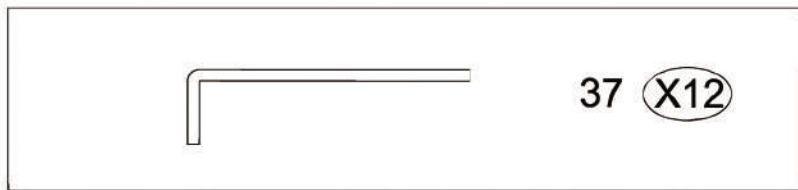
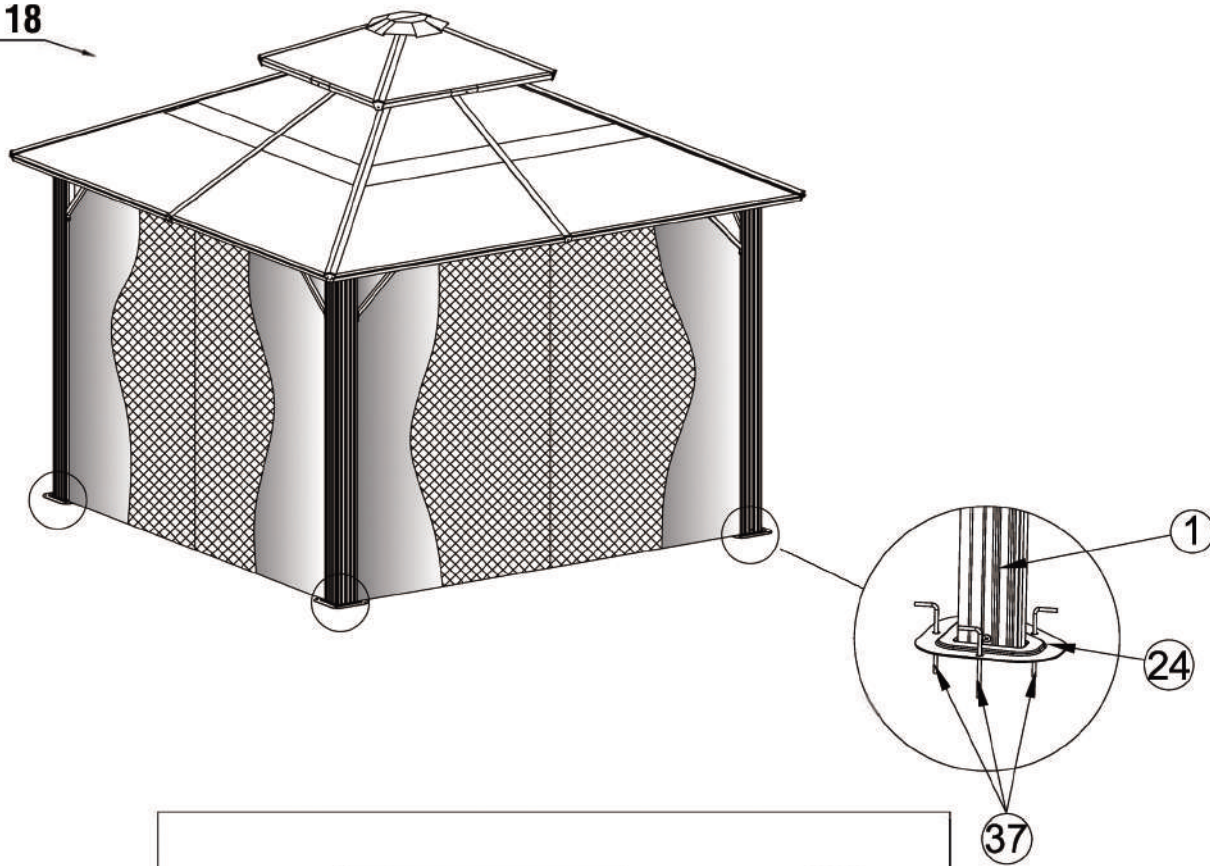


25 X4



26 X4

STEP 18



NOTICE

Your proper assembly, installation and use of this structure will ensure many years of valued service from this unit. Please follow all instructions carefully and heed warnings on the carton, included in the box and sewn into the inner tent seams for your own protection and longevity of this unit.

It is built of high quality materials but must be used as intended or it's lifespan will be drastically reduced. Never climb on top of this structure. Do not rest heavy objects against the side of the structure. Failure to observe or comply with these instructions will void the manufacturer's warranty and dramatically reduce the lifespan of the unit.

Please utilize a minimum of three persons and a step ladder to erect this structure safely. Do not attempt to erect the structure during heavy winds or inclement weather. When the structure is erected, please use guy ropes and stakes to secure tightly at all times. If using on a solid surface such as hard ground or concrete/asphalt, be sure to use cinder blocks as anchors on each corner to which you can tie the support/guy ropes. If winds are heavier, it's a good idea to use cinder blocks in addition to ground stakes for extra anchoring support.

WARNING

Do not use candles, matches or open flames of any kind in or near a tent.

Do not cook inside a tent

Build campfires downwind and several metres away from a tent and be sure to fully extinguish campfires before leaving a campsite or before retiring for the night

Exercise extreme caution when using fuel-powdered lanterns on heaters inside a tent and use battery-operated and use battery-operated lanterns whenever possible

Do not refuel lamps, heaters or stoves inside a tent

Extinguish or turn off all lanterns before going to sleep

Do not smoke in a tent

Do not store flammable liquids inside a tent

Contact information

Head office:

Dancover A/S
Lyngevej 16A, Nørre Herlev
3400 Hillerød
Denmark

For more information
please visit:
www.dancovershop.com

National contact

Denmark:

denmark@dancover.com

UK:

uk@dancover.com

Germany:

germany@dancover.com

France:

france@dancover.com

Sweden:

sverige@dancover.com

Finland:

suomi@dancover.com

Poland:

polska@dancover.com

Luxembourg:

luxembourg@dancover.com

Portugal:

portugal@dancover.com

Spain:

espana@dancover.com

Italy:

italia@dancover.com

Switzerland:

schweiz@dancover.com

Austria:

austria@dancover.com

Norway:

norge@dancover.com

Nederland:

nederland@dancover.com

Ireland:

ireland@dancover.com

Belgium:

belgique@dancover.com