

DANCOVER[®]

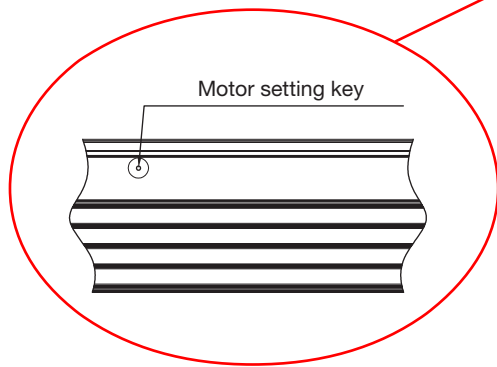


Manual
for
Setting Remote Control for
Gazebo San Fernando

Instruction of setting remote control for Gazebo San Fernando

Step-1

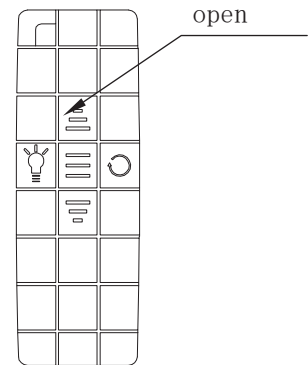
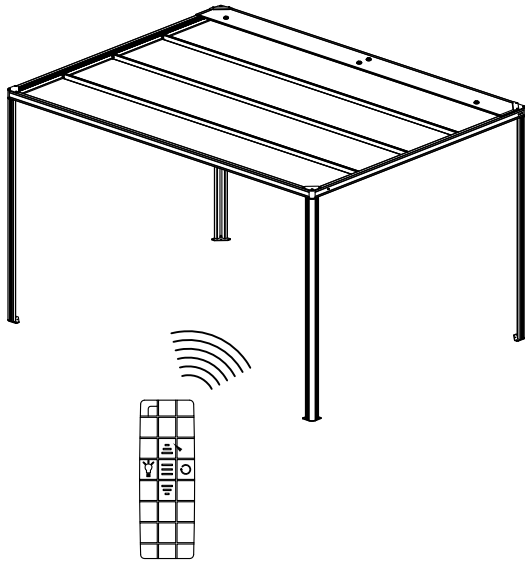
A hole under bottom cassette as red arrow.



The motor setting key is inside the hole of bottom cassette

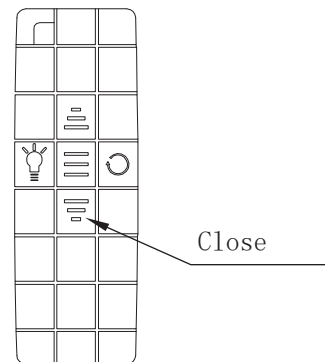
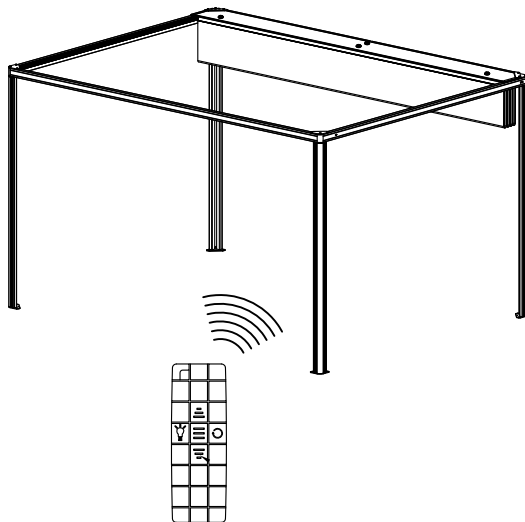
Step-2 (Open setting)

Keep pushing the motor setting key continuously, then push the "open" button on the remote till cloth open to the front side completely. Then release two buttons.



Step-3 (Close setting)

Keep pushing the motor setting key continuously, then push the "close" button on the remote till cloth back to the cassette completely. Then release two buttons.



Just need one time setting at first use

Contact information

Head office:

Dancover A/S
Lyngevej 16A, Nørre Herlev
3400 Hillerød
Denmark

For more information
please visit:
www.dancovershop.com

National contact

Denmark:

denmark@dancover.com

UK:

uk@dancover.com

Germany:

germany@dancover.com

France:

france@dancover.com

Sweden:

sverige@dancover.com

Finland:

suomi@dancover.com

Poland:

polska@dancover.com

Luxembourg:

luxembourg@dancover.com

Portugal:

portugal@dancover.com

Spain:

espana@dancover.com

Italy:

italia@dancover.com

Switzerland:

schweiz@dancover.com

Austria:

austria@dancover.com

Norway:

norge@dancover.com

Nederland:

nederland@dancover.com

Ireland:

ireland@dancover.com

Belgium:

belgique@dancover.com