

DANCOVER[®]



Manual

for

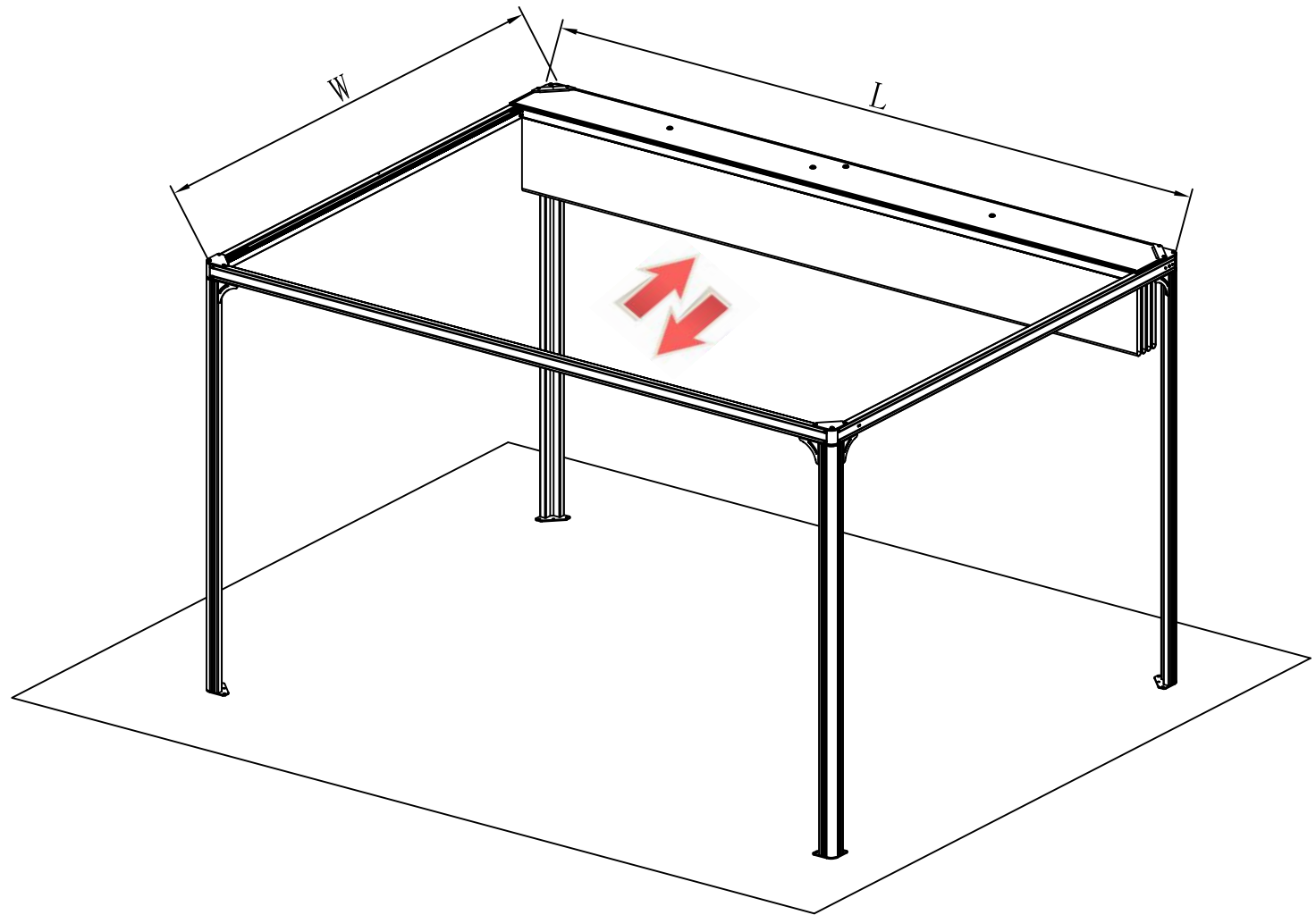
Pergola Gazebo San Fernando

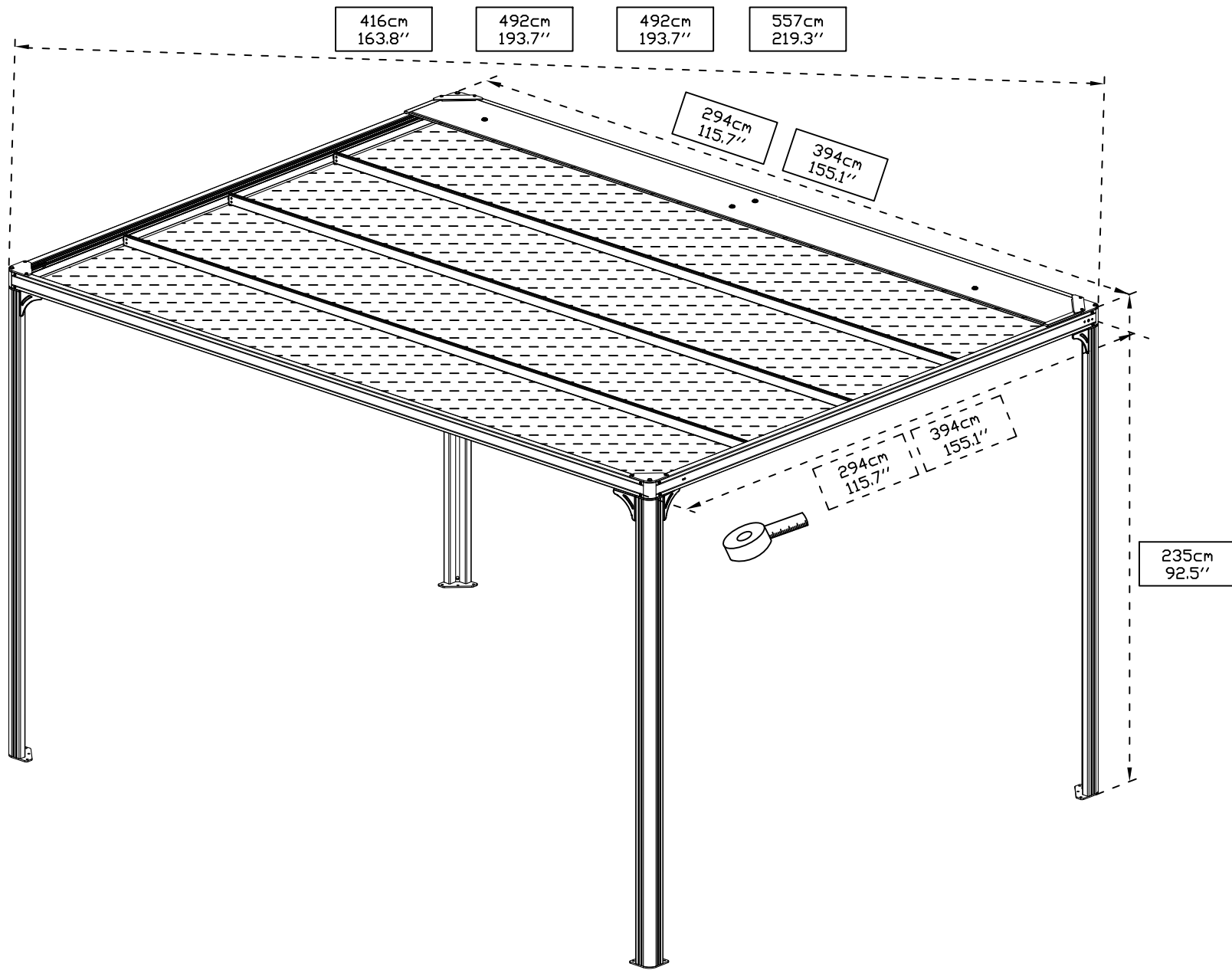
3x3m, 3x4m and 4x4m

300Lx300W cm
116"x116"






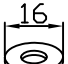

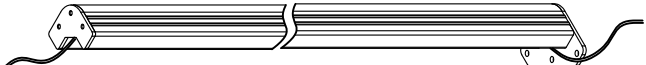



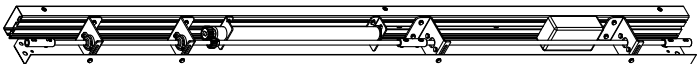

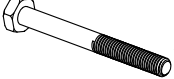
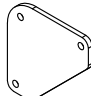
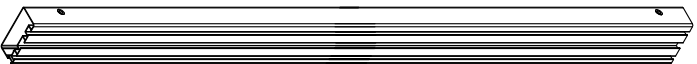



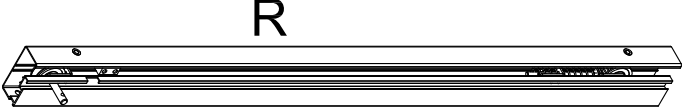


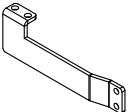



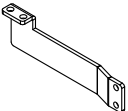
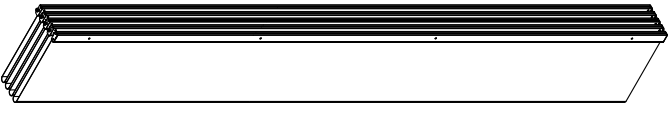



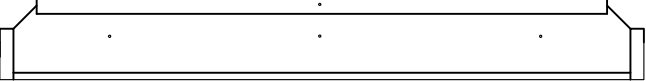
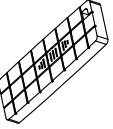
300Lx400W cm
116"x155"

400Lx400W cm
155"x155"





B

①	 x2 ø6	⑨	 x22+(2) ø6	⑰	 x12 ø10x50	A	 x3
②	 x2 M6x8	⑩	 x4 16 ø6x16	⑱	 x12 M8	B	 x1
③	 x4 M6x10	⑪	 x4 M6	⑲	 x4	C	 x1
④	 x4 M6x12	⑫	 x4 M8x110	⑳	 x4	D	 x1
⑤	 x4 M6x16	⑬	 x16+(2) ø8	㉑	 x2	E	 x1
⑥	 x4 M6x20	⑭	 x16+(2) M6x14	㉒	 x1	F	 x1
⑦	 x4 M6x30	⑮	 x32+(2)	㉓	 x1	G	 x1
⑧	 x4 M6x40	⑯	 x12 M8x75	㉔	 x8	H	 x1
				㉕	 x1		

Ⓔ

x1

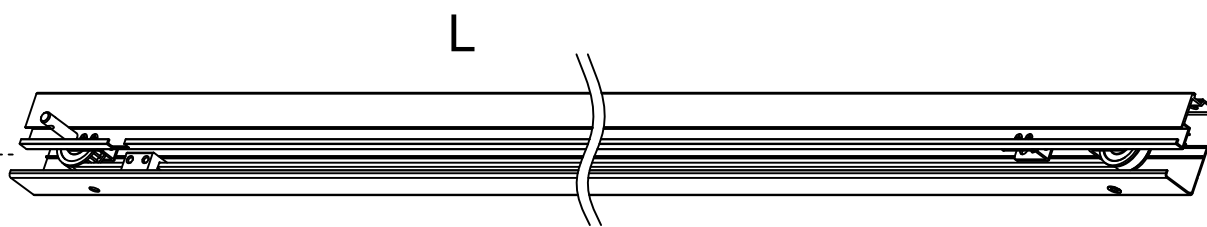
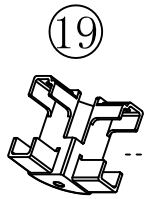
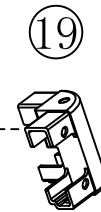
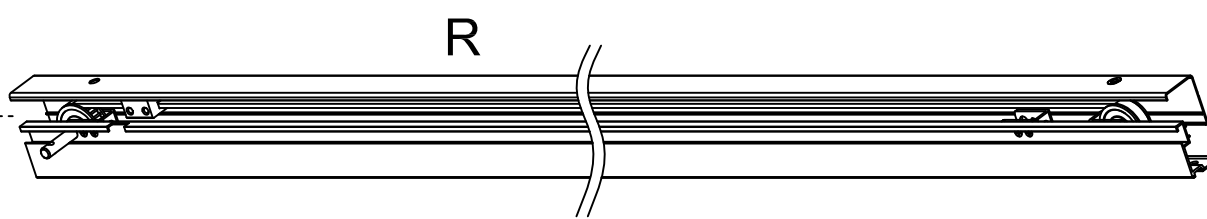
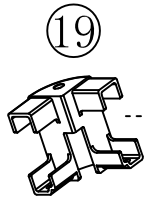
Ⓕ

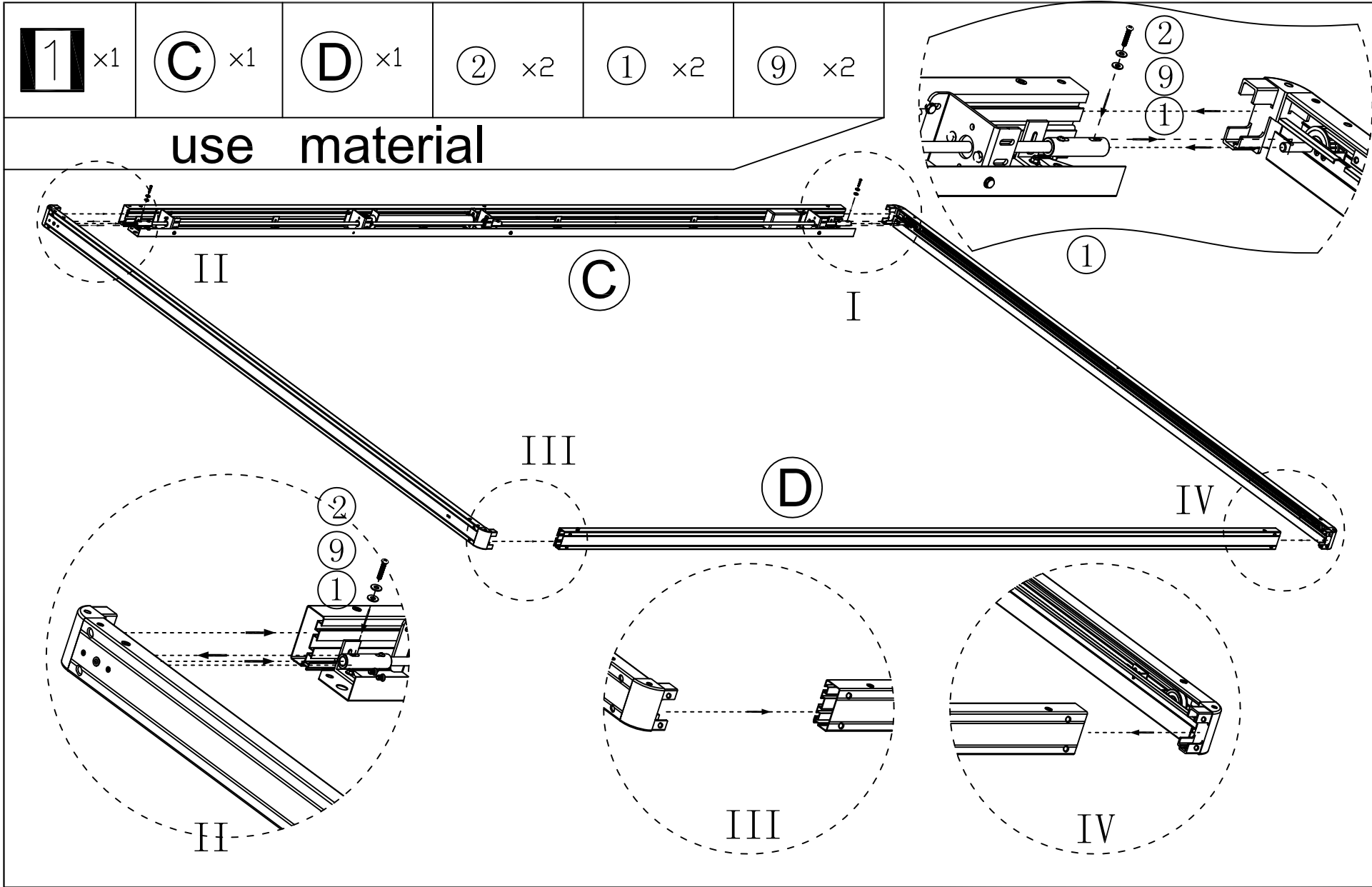
x1

Ⓘ

x4

use material





2

x1

20

x2

6

x4

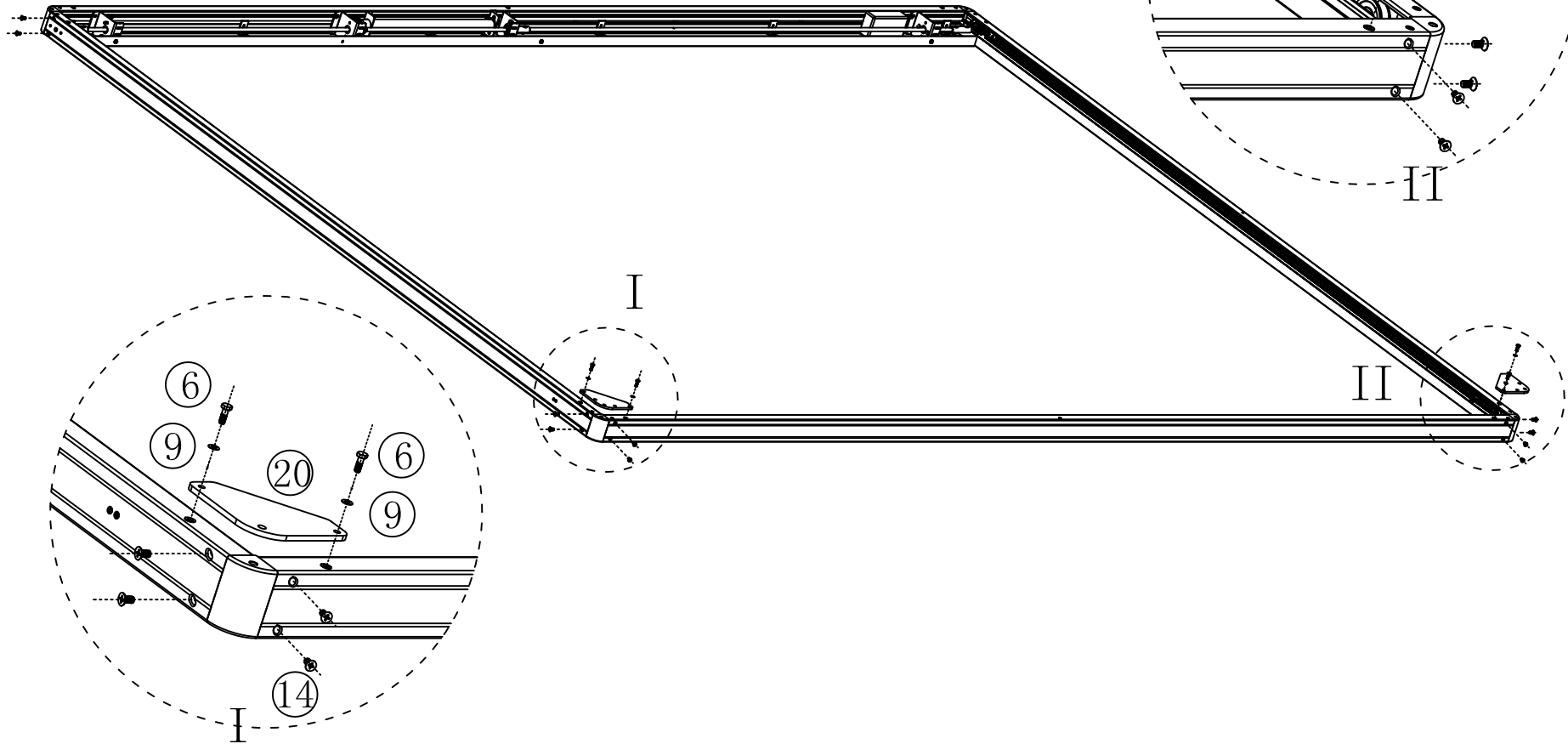
9

x4

14

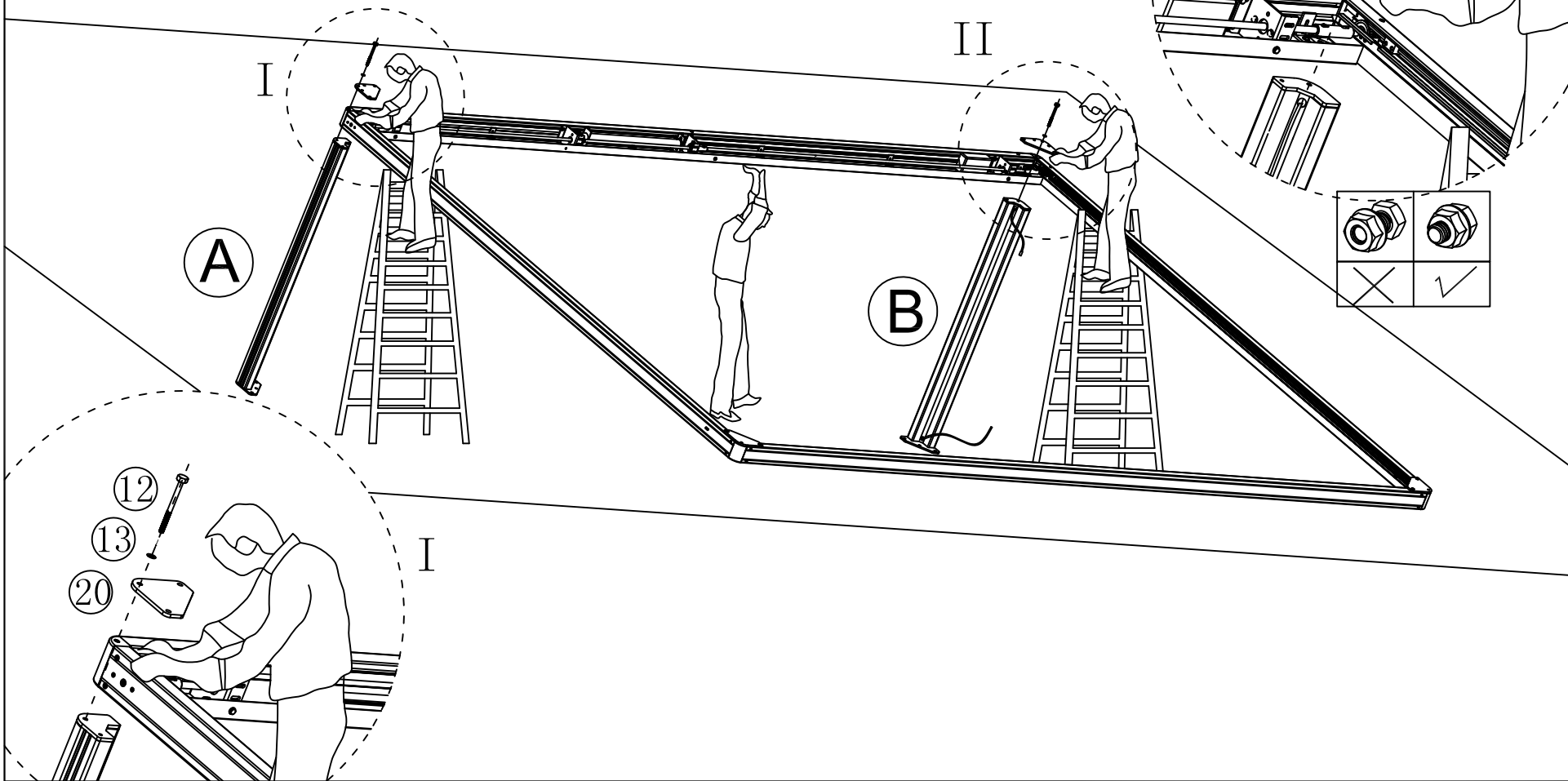
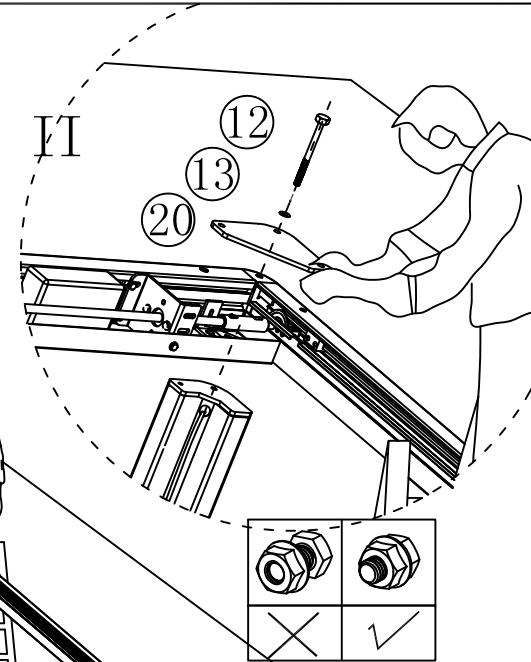
x16

use material



3 x1	A x1	B x1	20 x2	12 x2	13 x2
-------------	-------------	-------------	--------------	--------------	--------------

use material



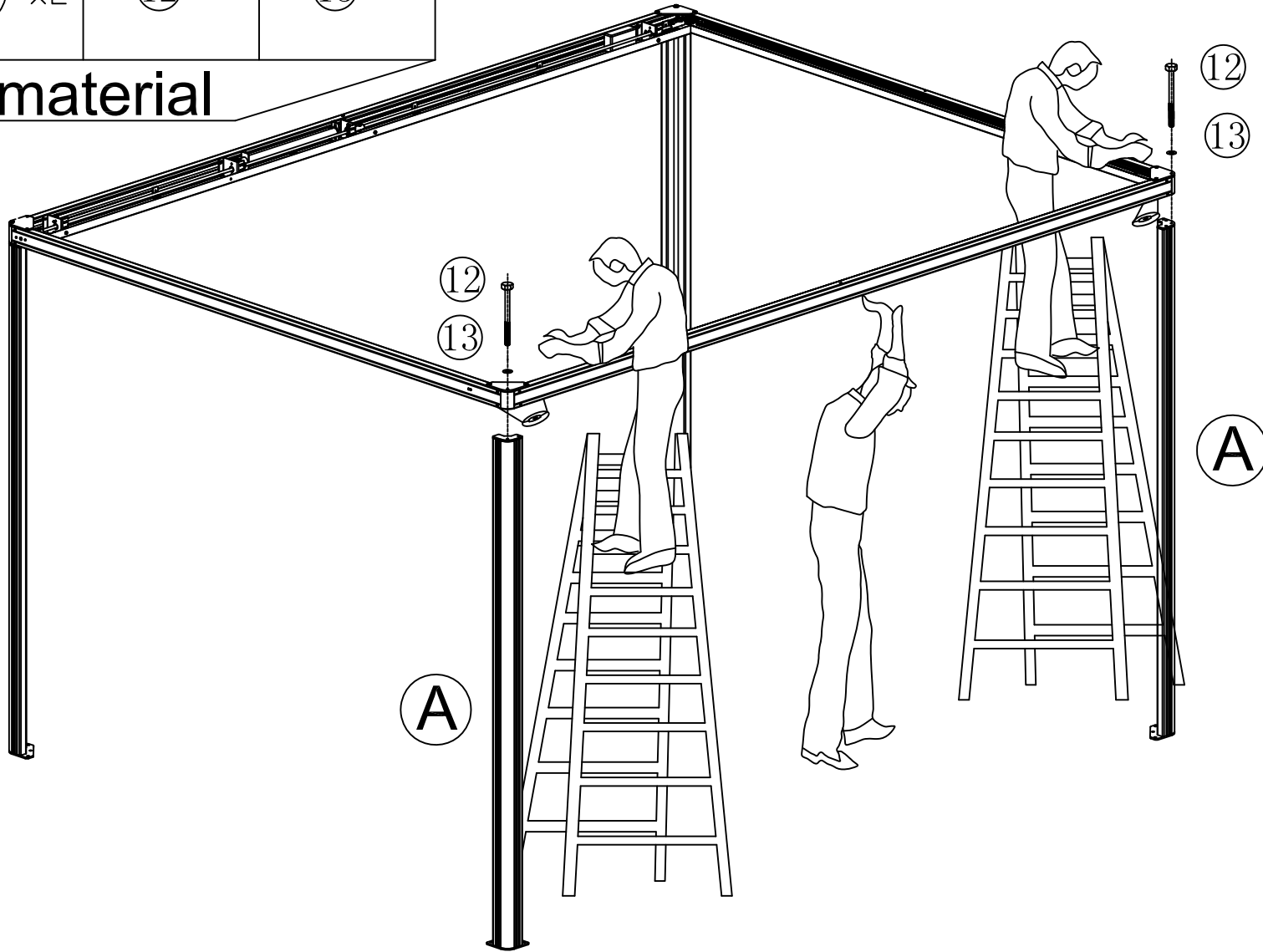
4 x1

A x2

12 x2

13 x2

use material



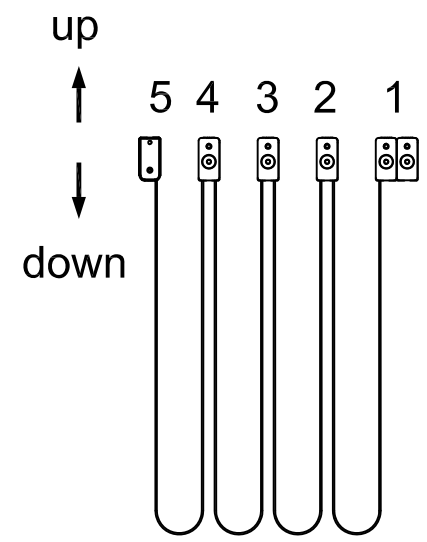
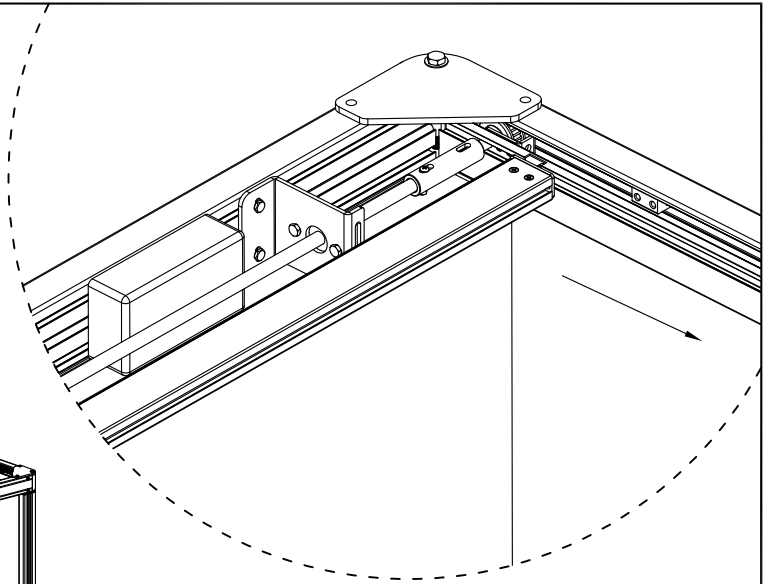
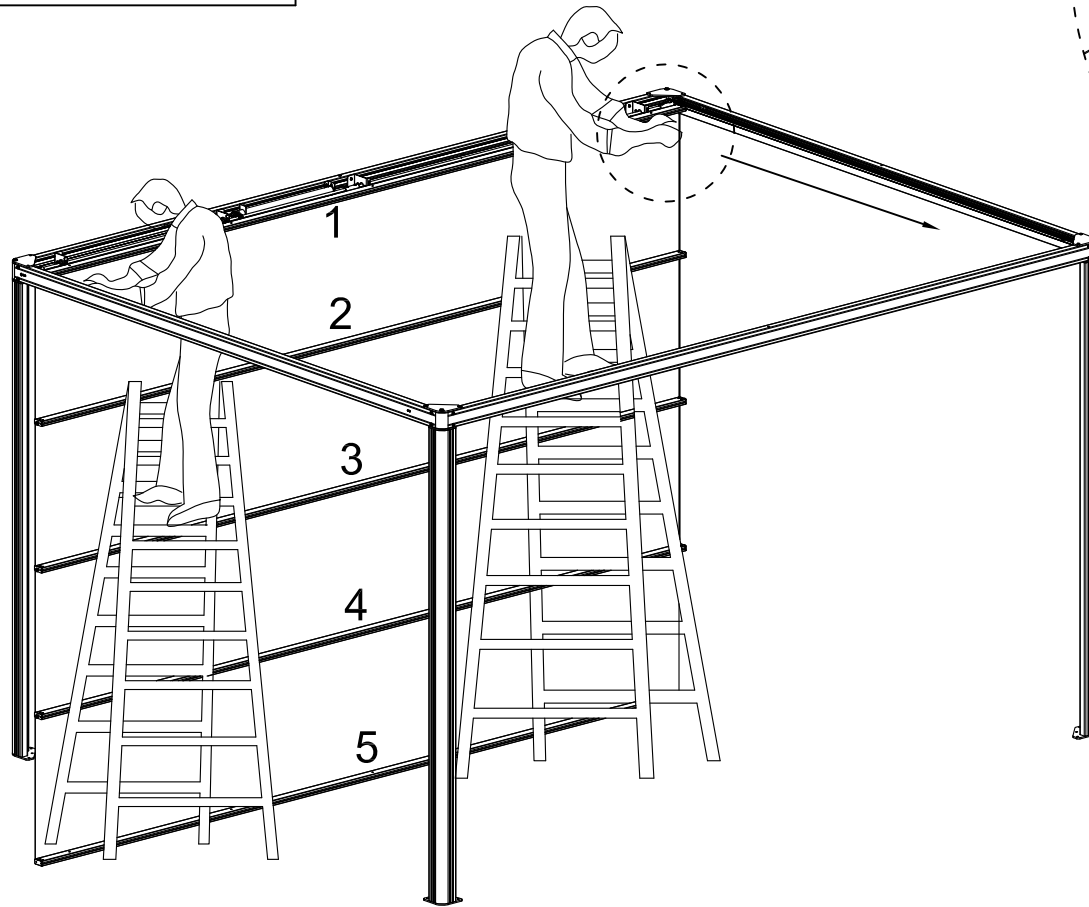
5

x1

G

x1

use material





x1



x4

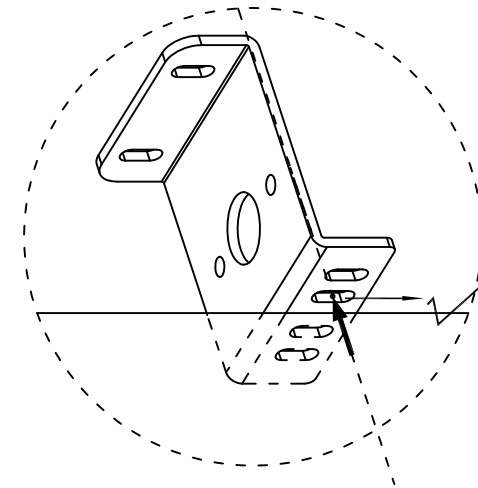
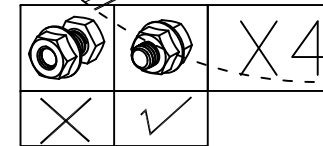
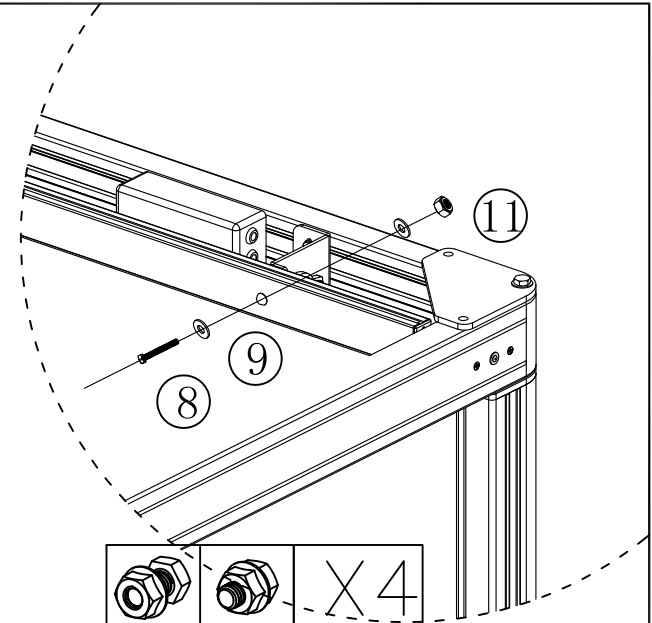
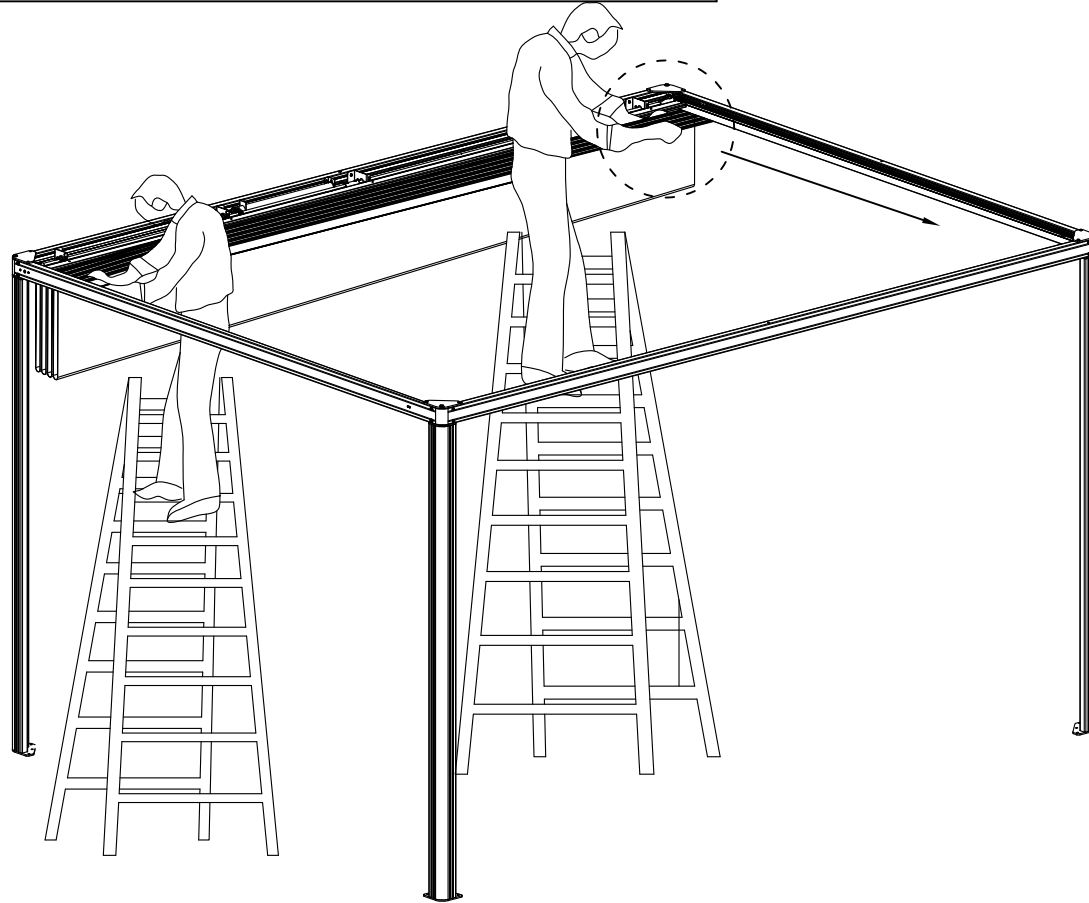


x4



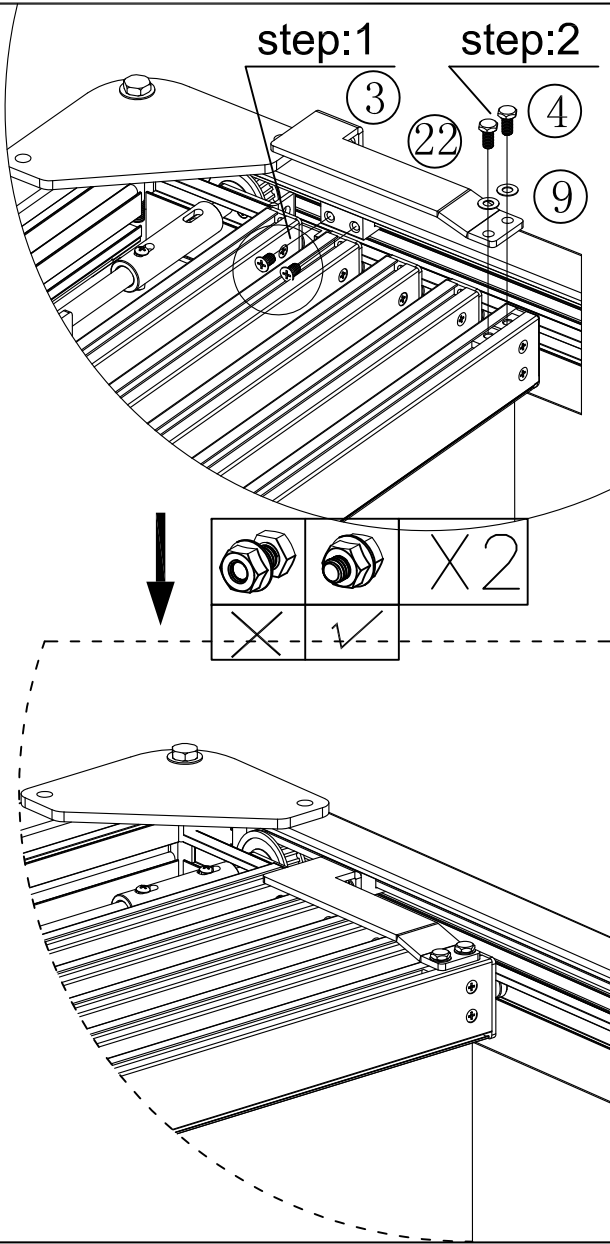
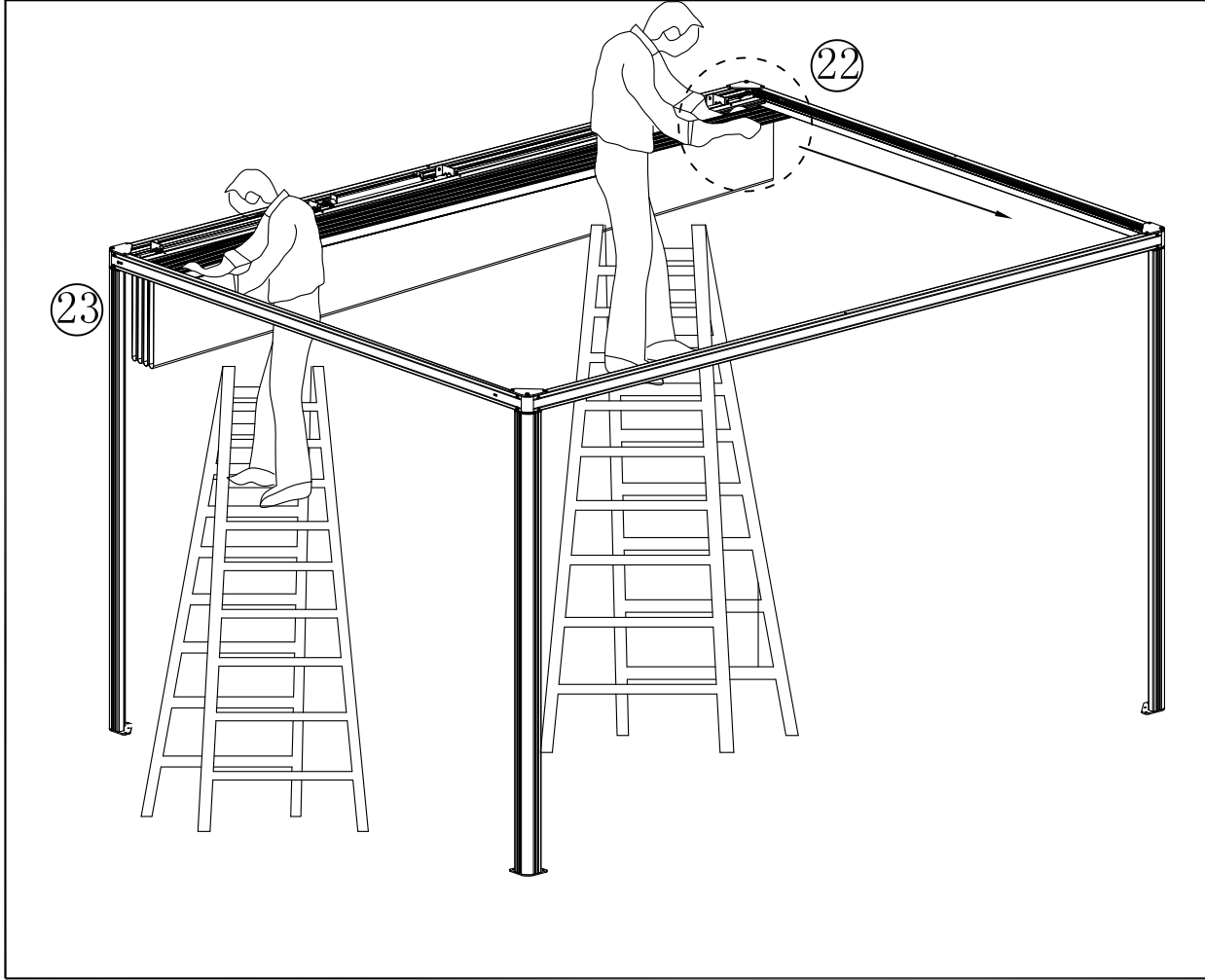
x8

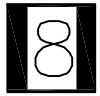
use material



7 ×1	22 ×1	23 ×1	3 ×4	4 ×4	9 ×4
-------------	-------	-------	------	------	------

use material





x1



x1

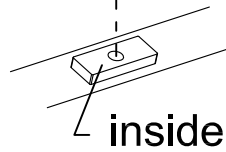
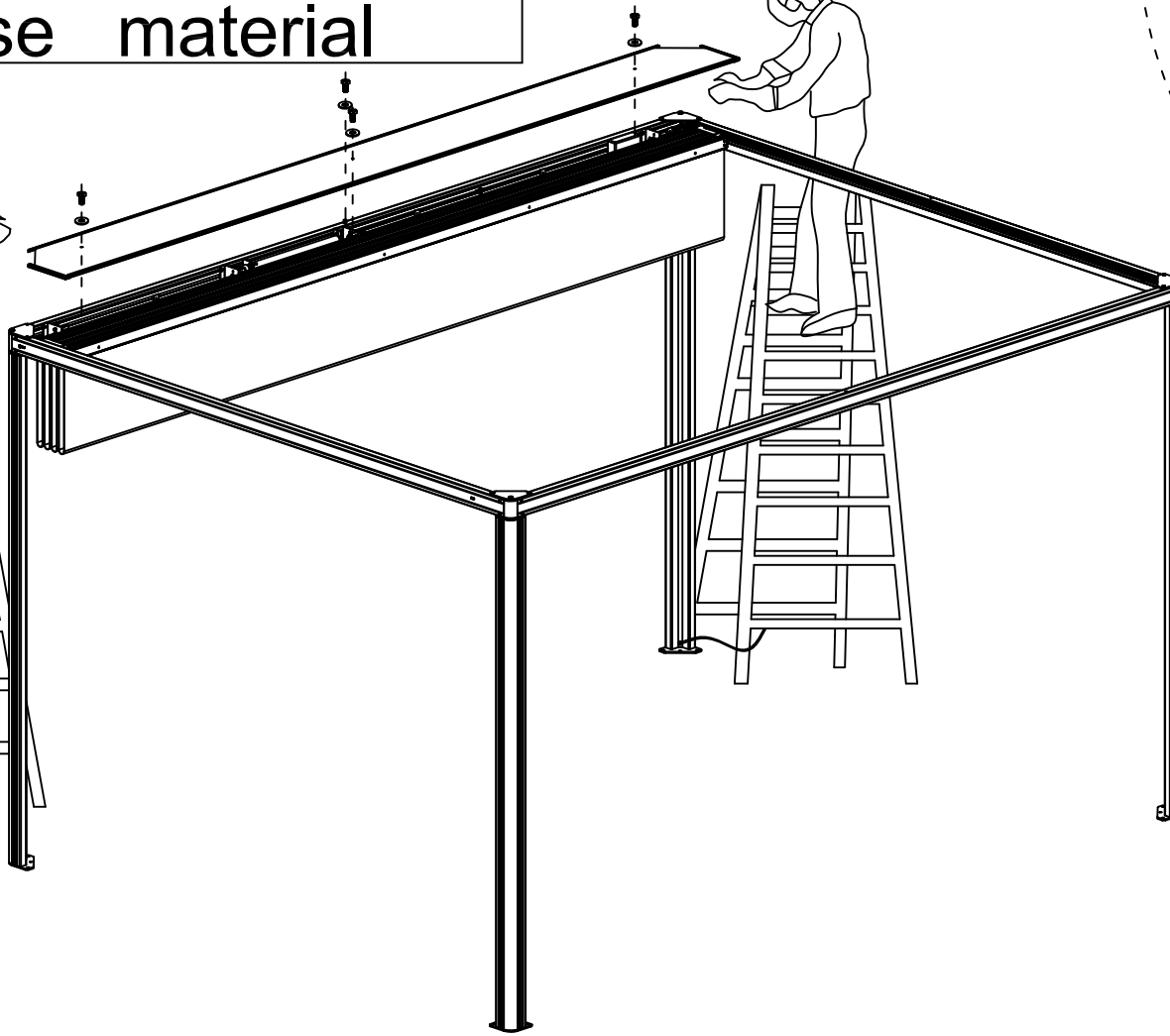
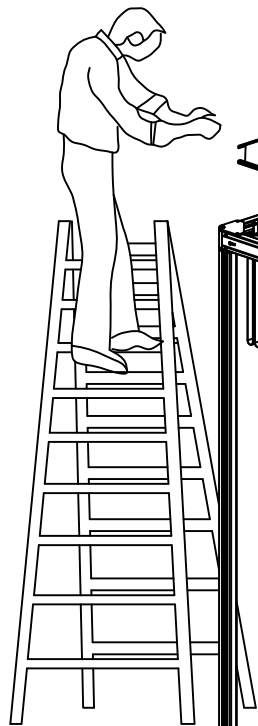


x4



x4

use material



X4

9 x1

21 x2

7 x4

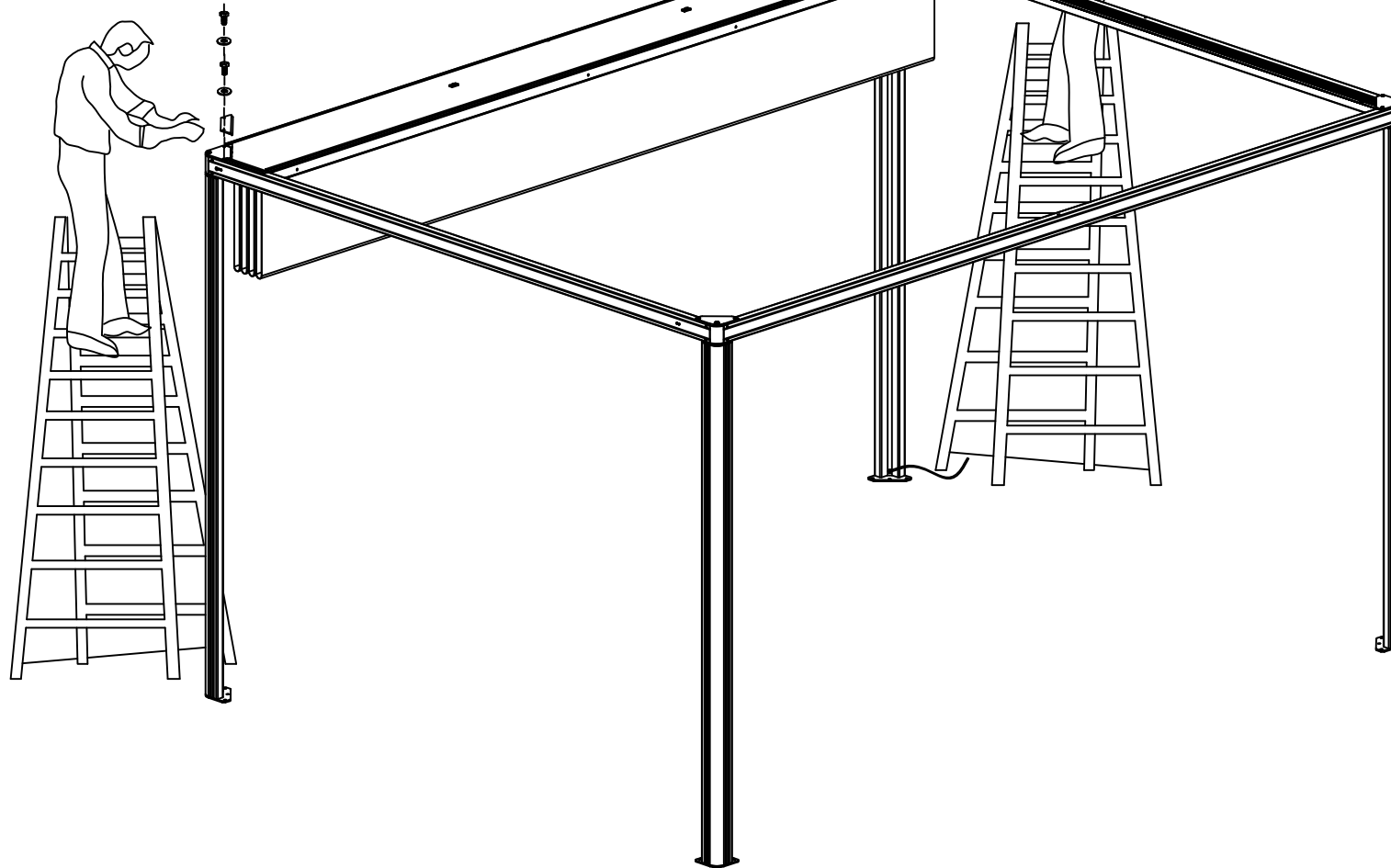
9 x4

use material

7

9

21



10

x1

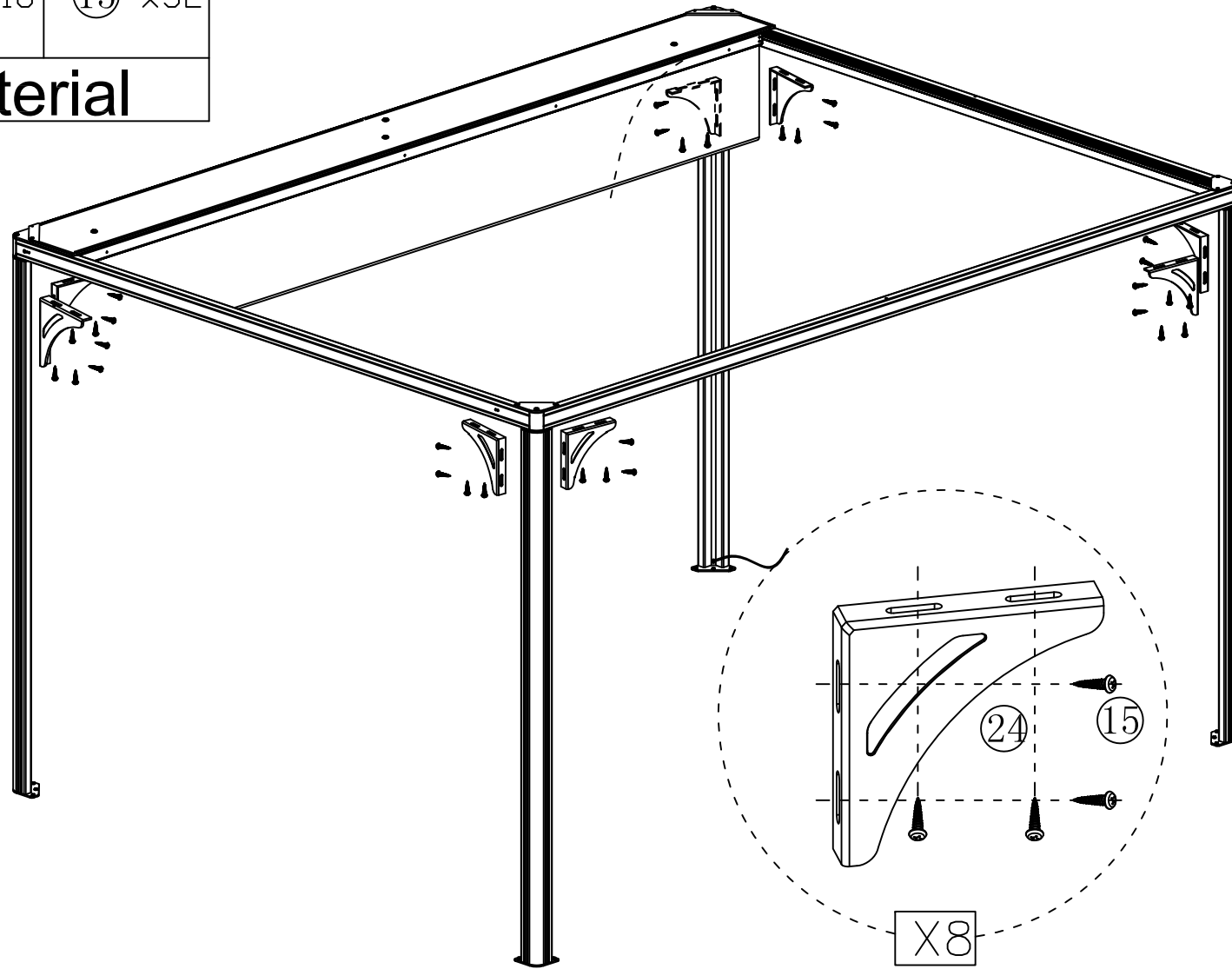
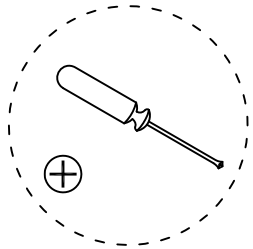
24

x16

15

x32

use material



11

x1

16

x12

17

x12

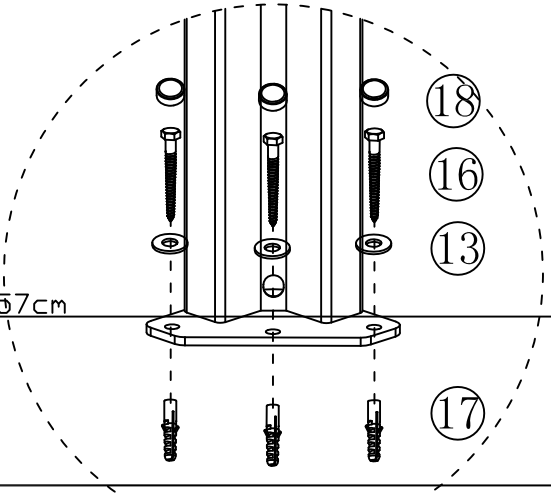
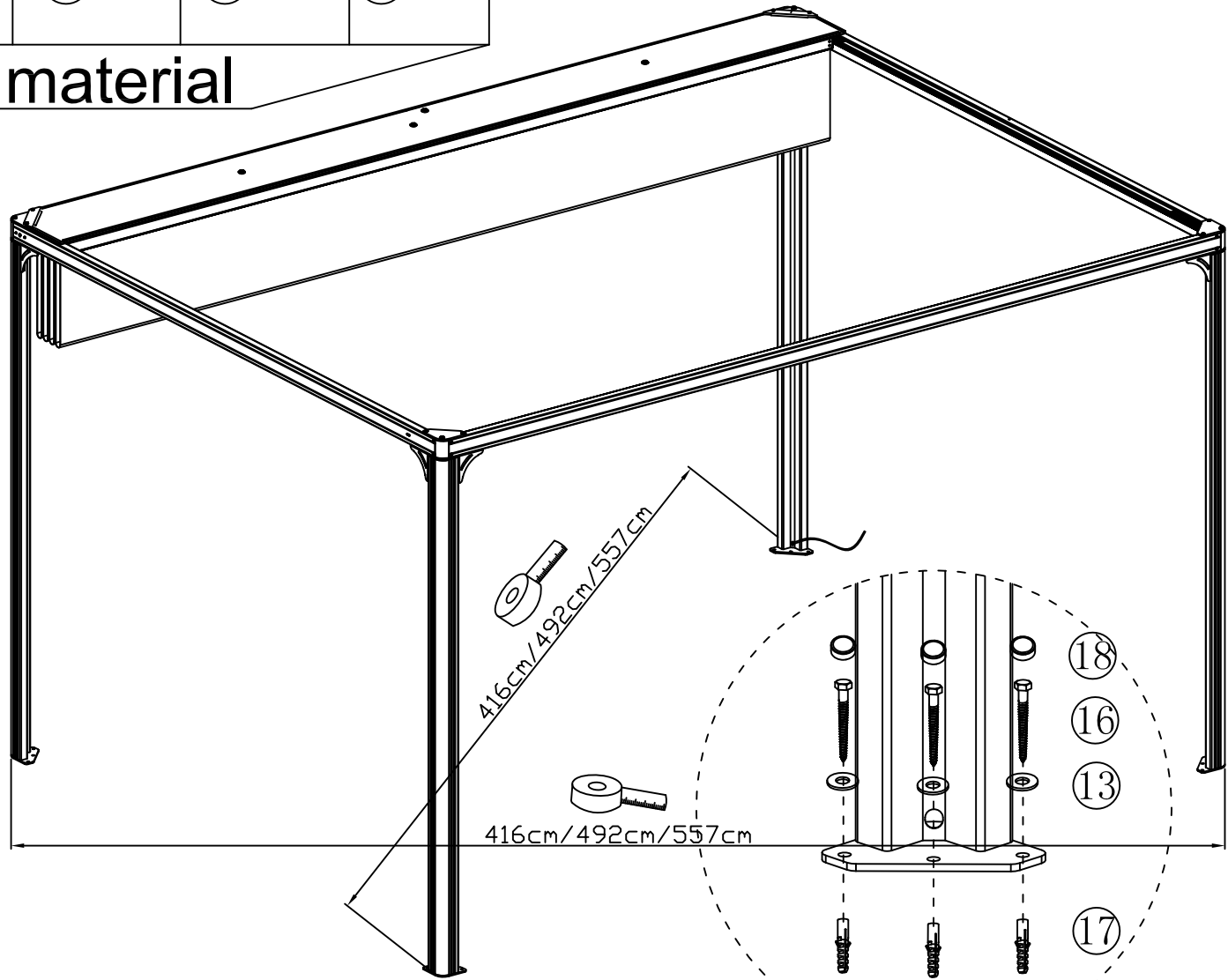
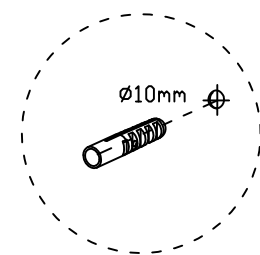
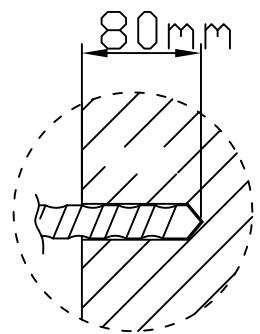
18

x12

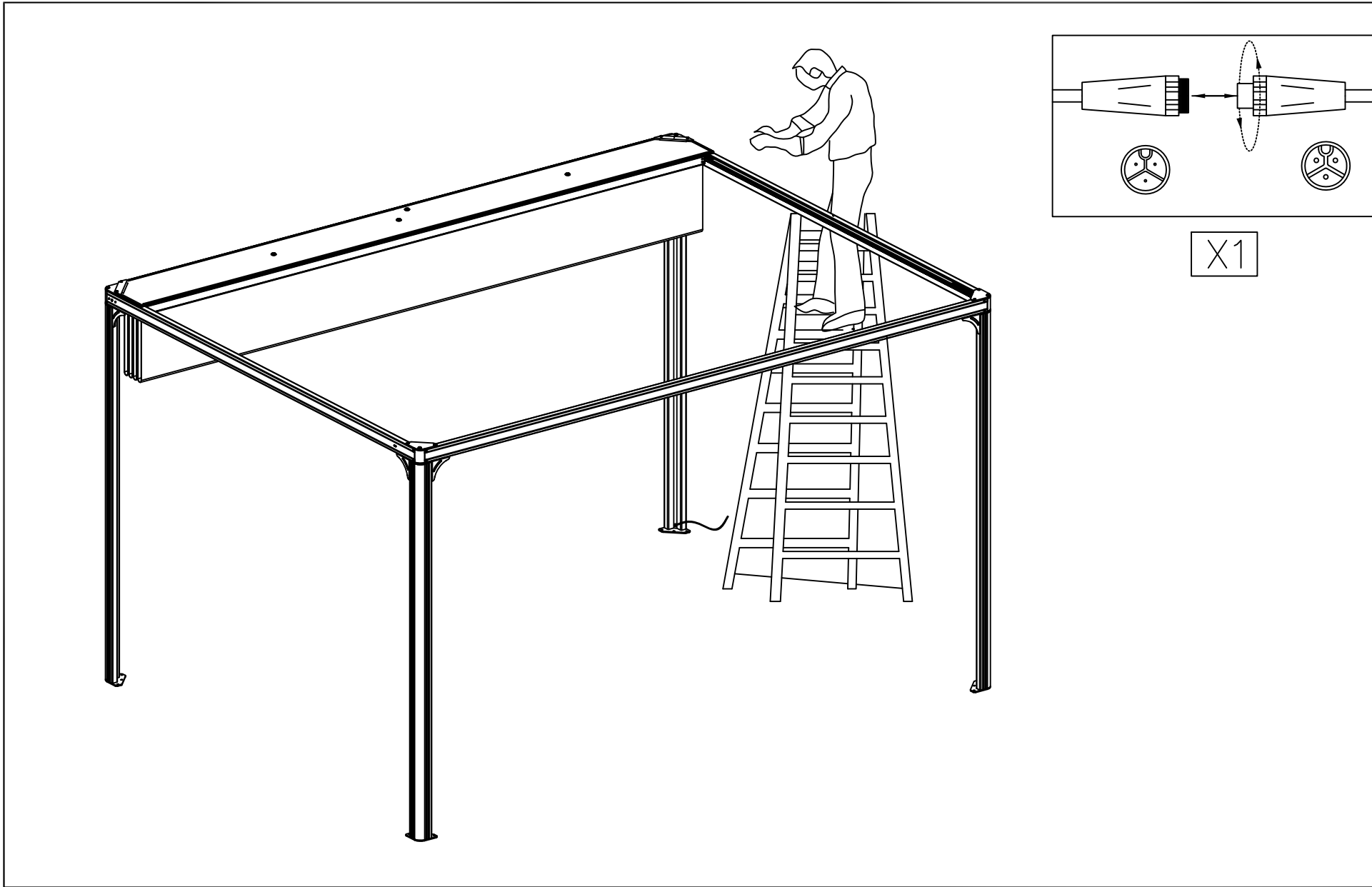
13

x12

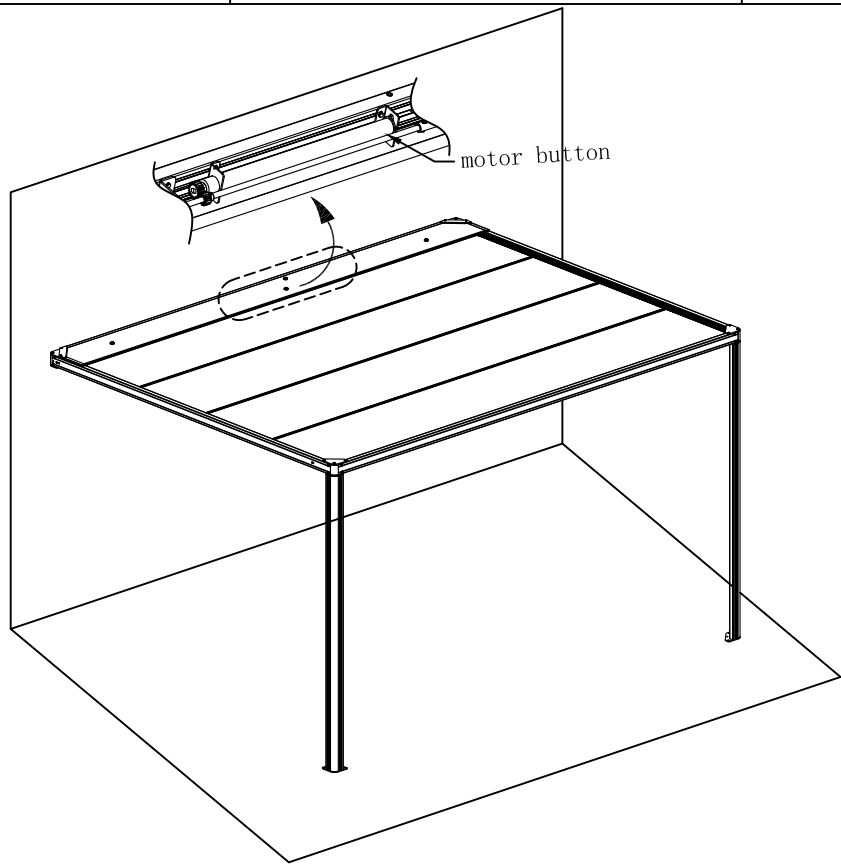
use material



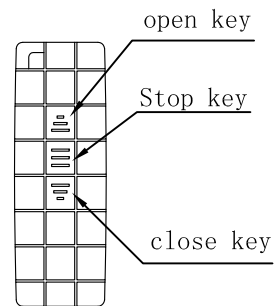
X4



direction	step 1	step 2
Fabric open	→ open key x 1	→ Keep pressing the Motor button Until The fabric was opened completely
Fabric close	→ close key x 1	→ Keep pressing the Motor button until The fabric was closed completely

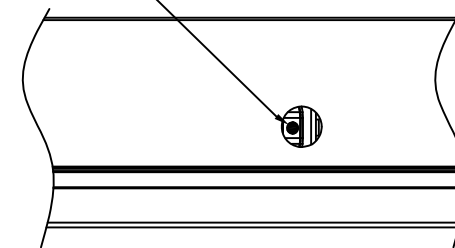


step 1

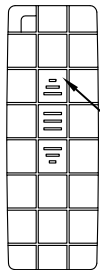
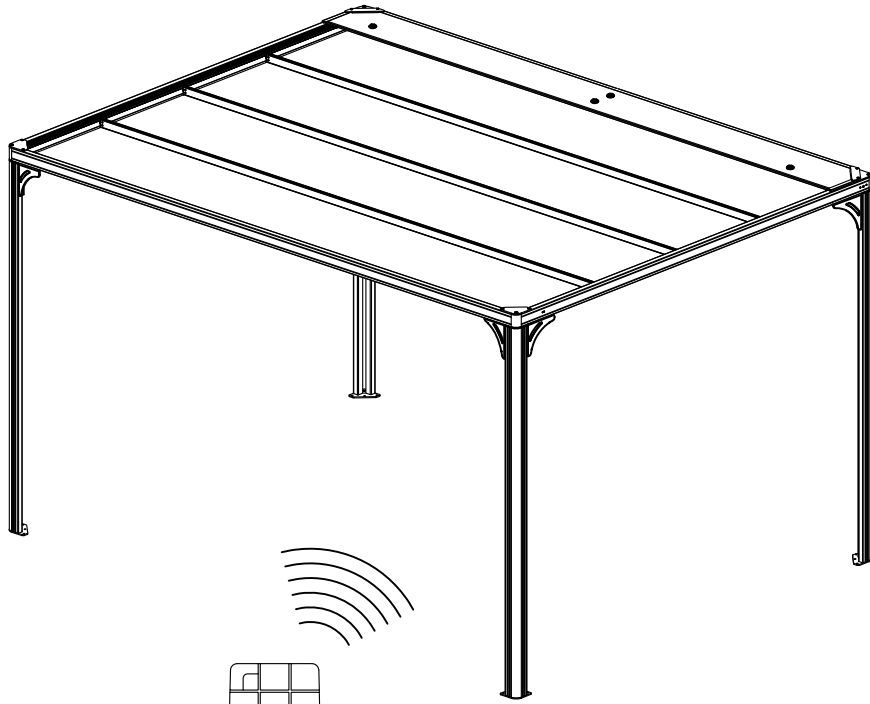


step 2

Motor button

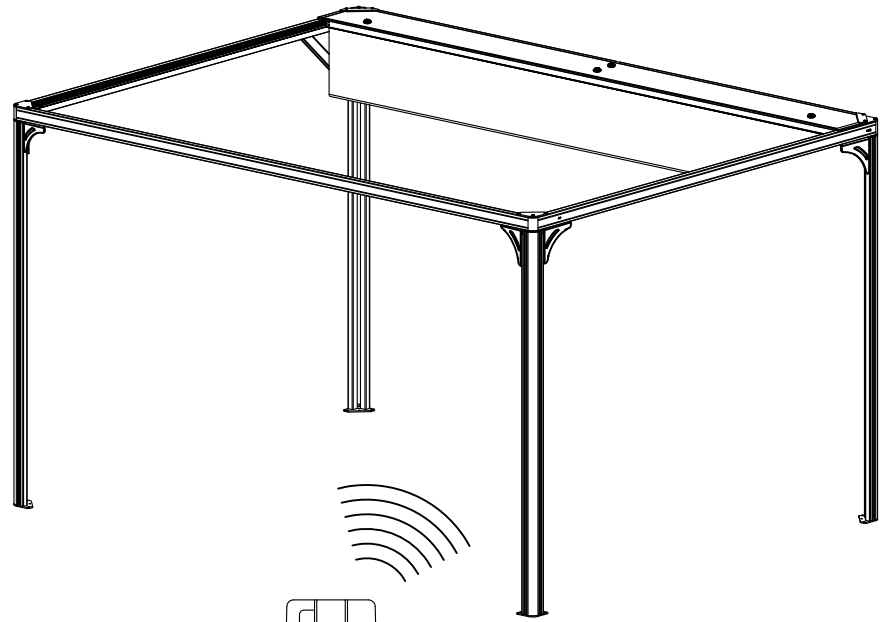


open



push-button

close



push-button

Contact information

Head office:

Dancover A/S
Lyngelvej 16A, Nørre Herlev
3400 Hillerød
Denmark

For more information
please visit:

www.dancovershop.com

National contact

Denmark:

denmark@dancover.com

UK:

uk@dancover.com

Germany:

germany@dancover.com

France:

france@dancover.com

Sweden:

sverige@dancover.com

Finland:

suomi@dancover.com

Poland:

polska@dancover.com

Luxembourg:

luxembourg@dancover.com

Portugal:

portugal@dancover.com

Spain:

espana@dancover.com

Italy:

italia@dancover.com

Switzerland:

schweiz@dancover.com

Austria:

austria@dancover.com

Norway:

norge@dancover.com

Nederland:

nederland@dancover.com

Ireland:

ireland@dancover.com

Belgium:

belgique@dancover.com