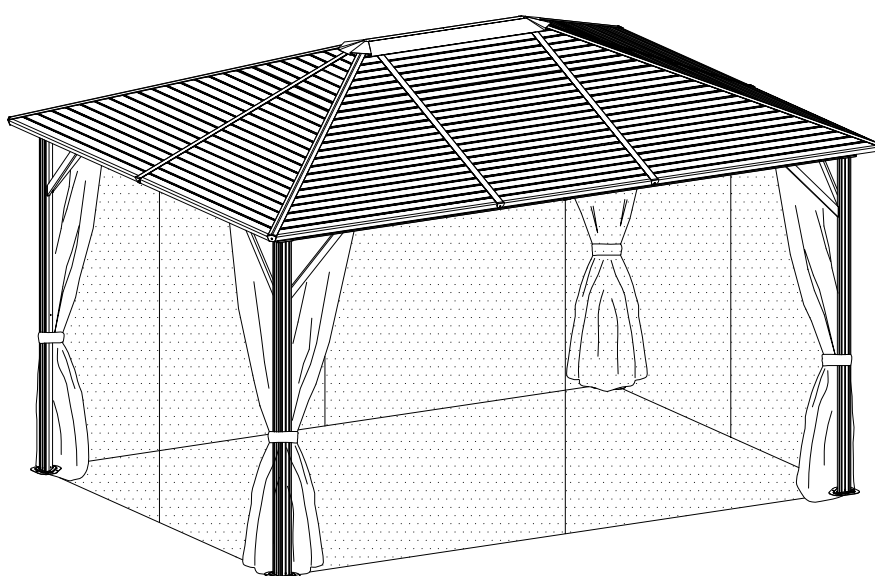


CosyLifeStyle[®]

Manual
for
Gazebo San Luis
3x4m

3 x 4 M





(A) 4x



(B) 2x



(B1) 2x



(C) 2x



(C1) 2x



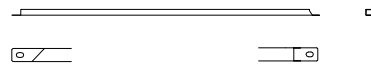
(D) 4x



(E) 6x



(F) 2x



(F1) 4x



(F2) 4x



(G) 2x



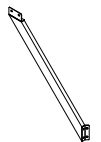
(G1) 4x



(G2) 4x



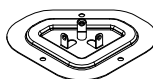
(H1) 4x



(H2) 4x



(H) 4x



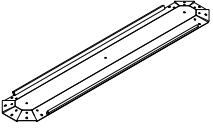
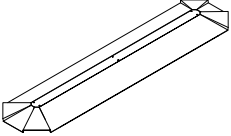


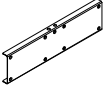
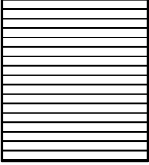
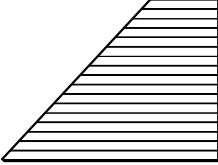
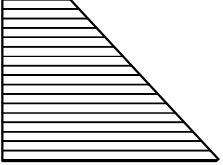

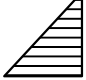

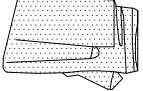
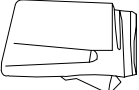


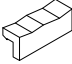







(J) 4x



(K) 4x



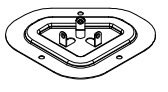
(K1) 4x

			
(L) 1x	(M) 1x	(N) 4x	(N1) 6x
			
(P) 4x	(Q) 2x	(Q1) 4x	(Q2) 4x
			
(R) 2x	(R1) 4x	(R2) 4x	(S) 4x
			
(T) 4x	(U) 112x	(V) 4x	(Y) 20x
			
S4 1x			
			
M6x15 (1) 101x	M6x10 (2) 32x	M5x12 (3) 48x	ST4.8x12 (4) 24x
			
(5) 2x	(8) 12x		

<1>



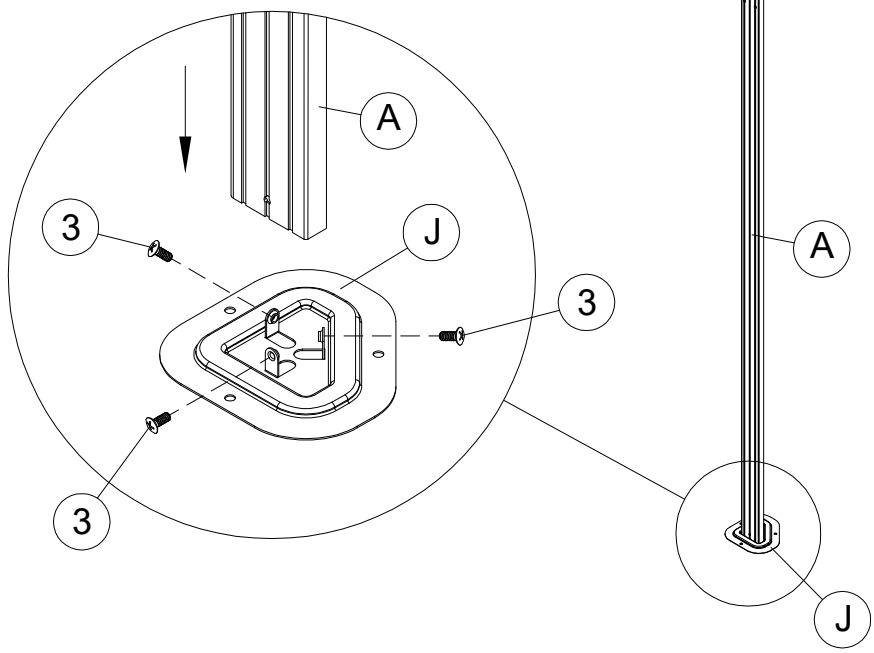
A 4x



J 4x

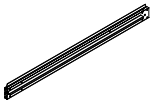


3 12x M5x12

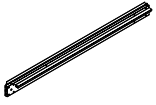


4

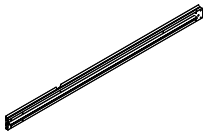
<2>



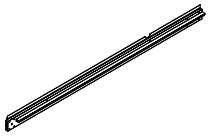
B 2x



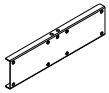
B1 2x



C 2x



C1 2x

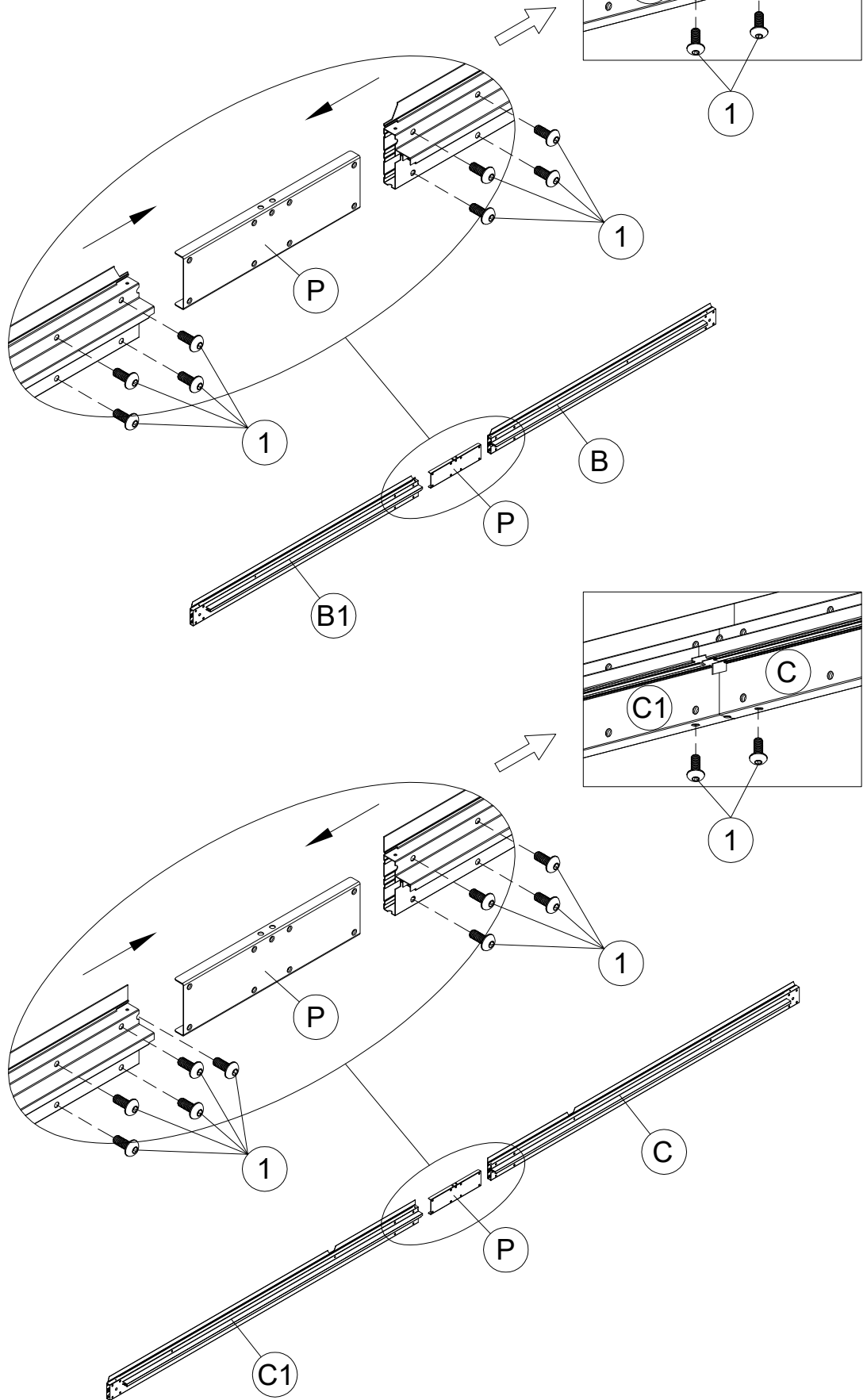


P 4x



1 42x M6x15

5

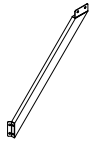
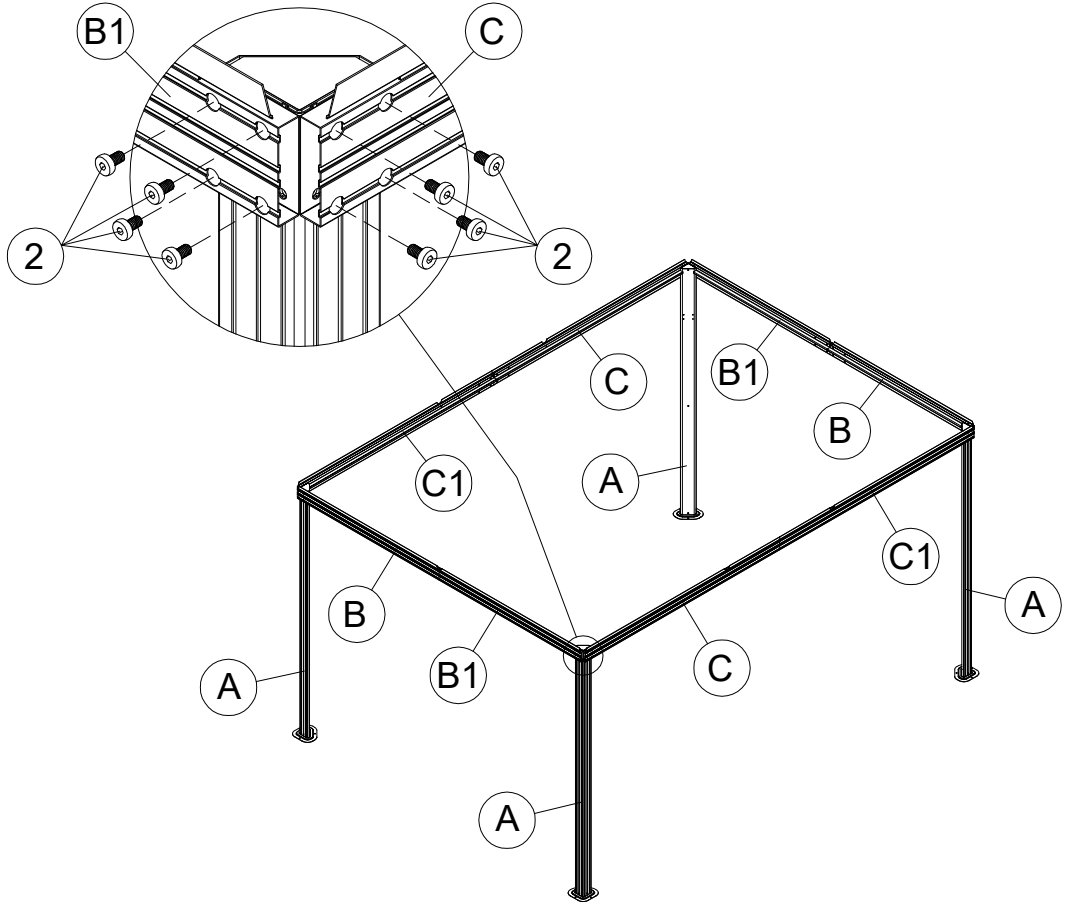




<3>

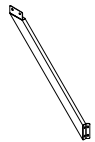
2 32x

M6x10

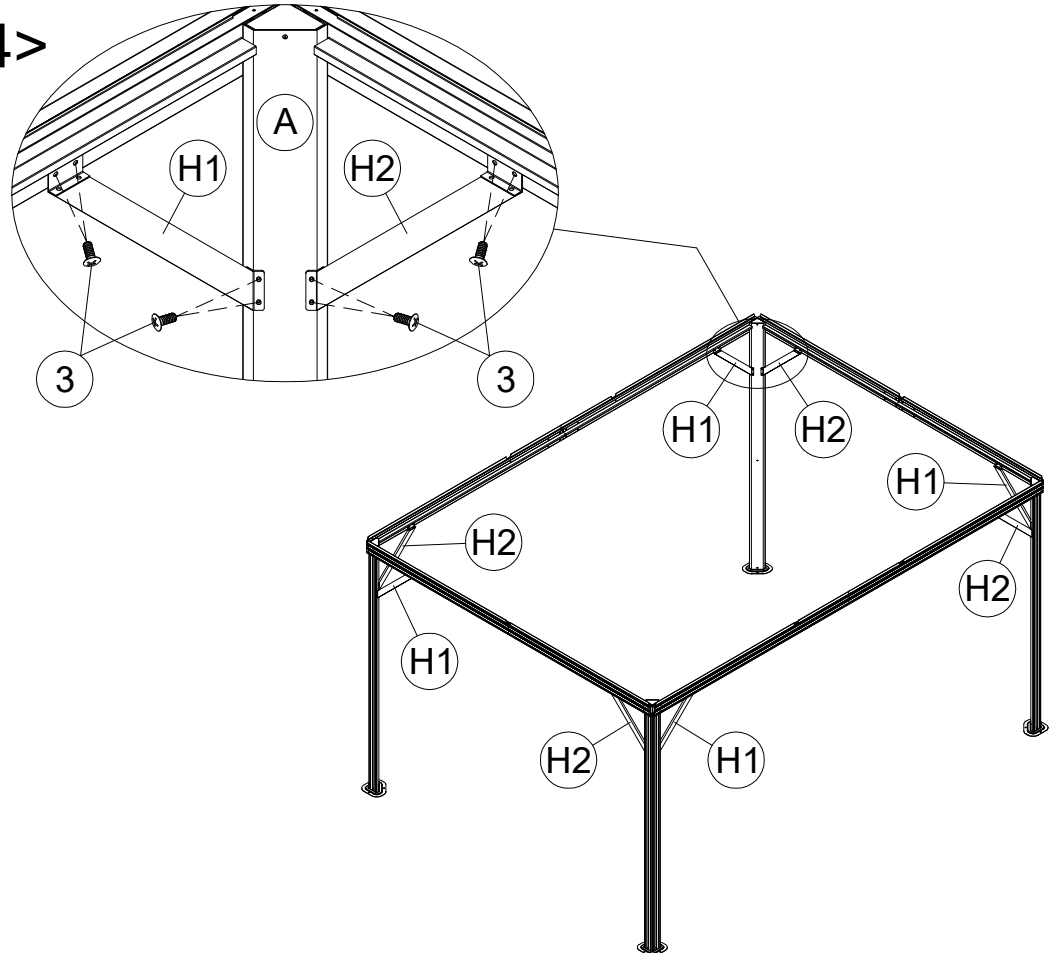


H1 4x

<4>



H2 4x



3 32x

M5x12

6

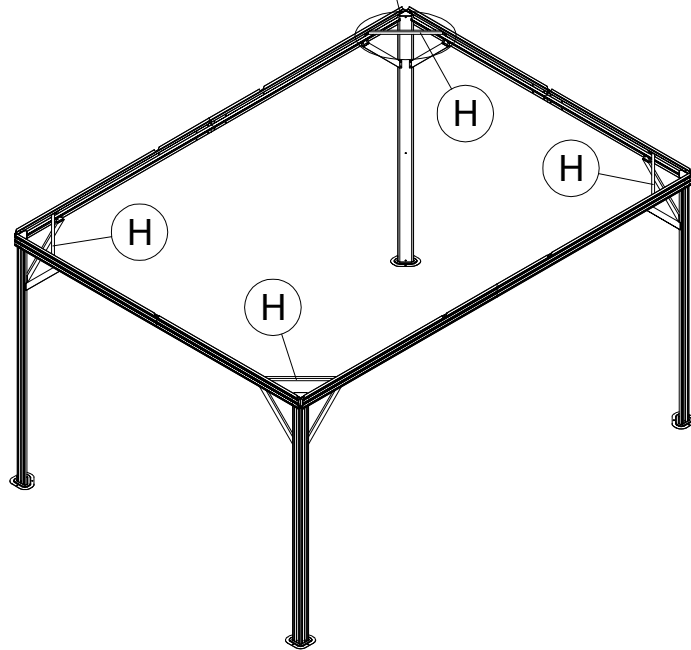
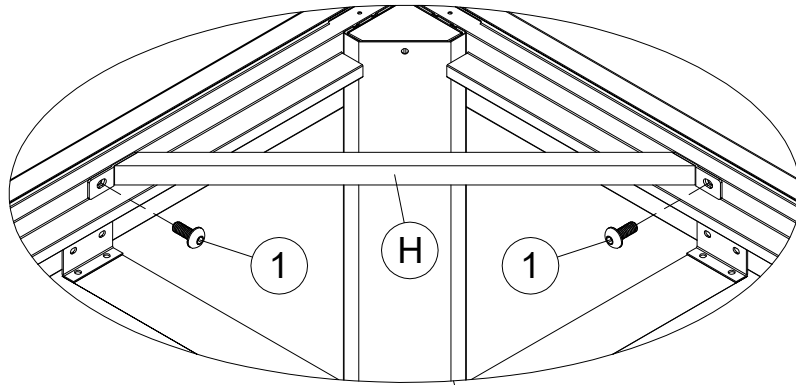


<5>

(H) 4x



(1) 8x M6x15



7



(K) 4x



(K1) 4x



(U) 112x



(V) 4x

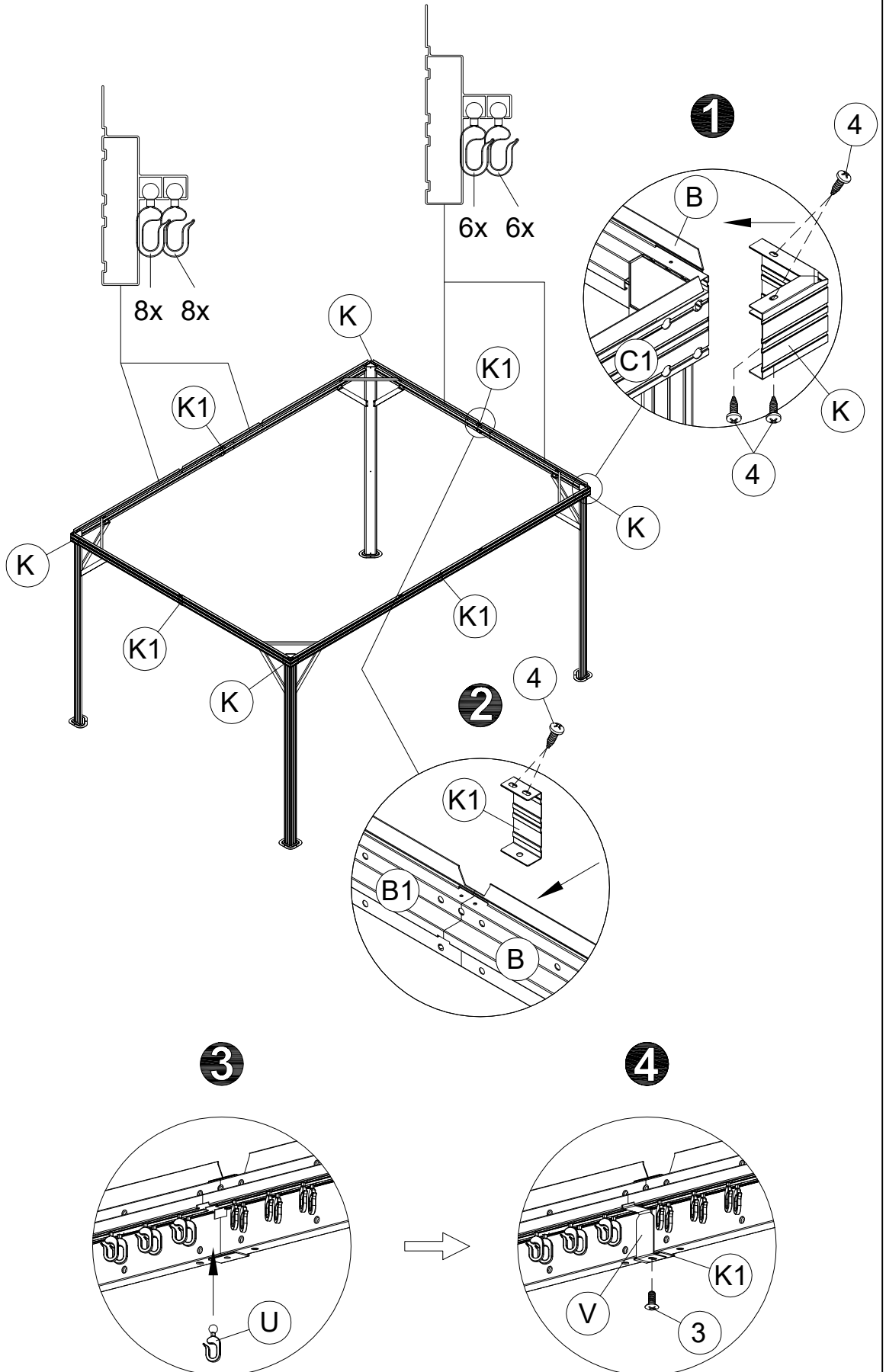


(3) 4x M5x12



(4) 24x ST4.8x12

<6>

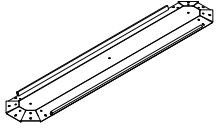


8



<7>

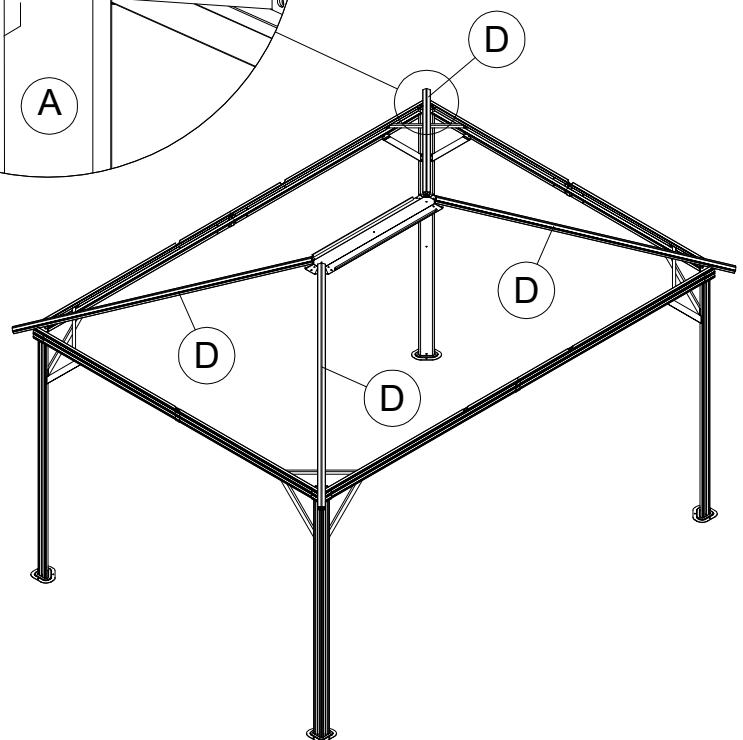
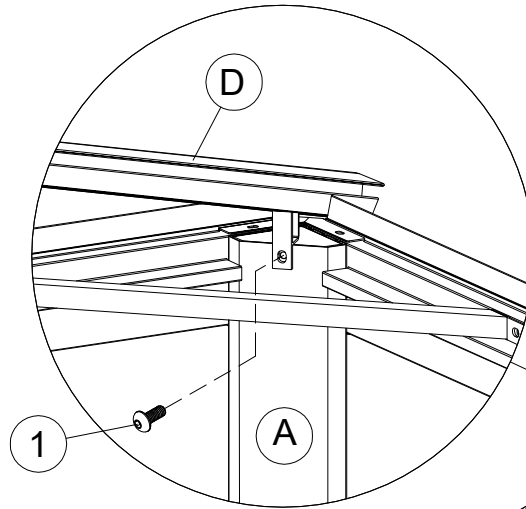
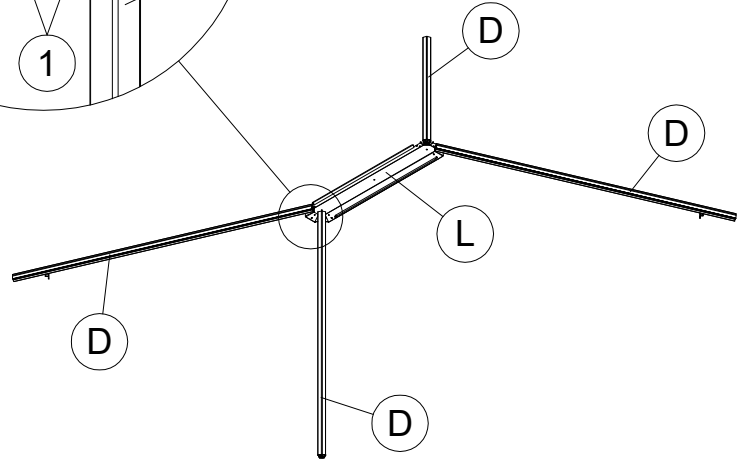
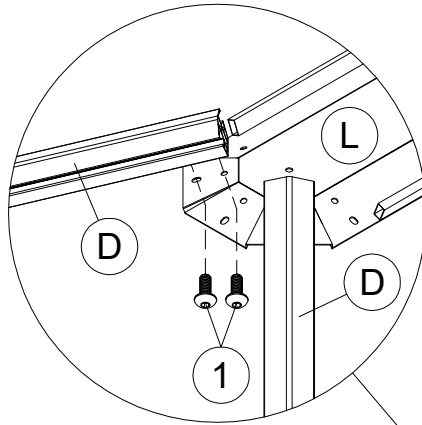
(D) 4x



(L) 1x



(1) 12x
M6x15



9

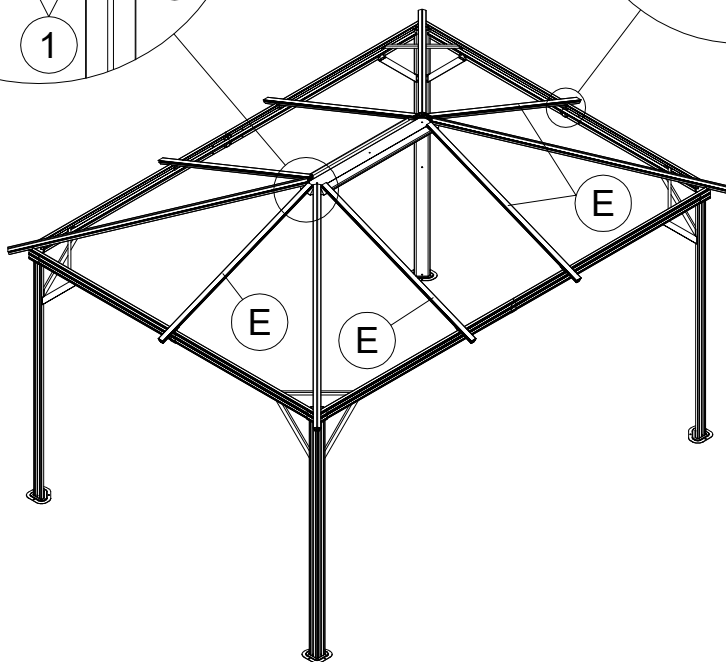
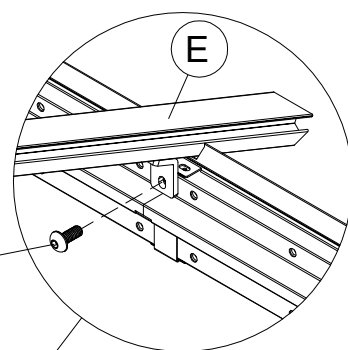
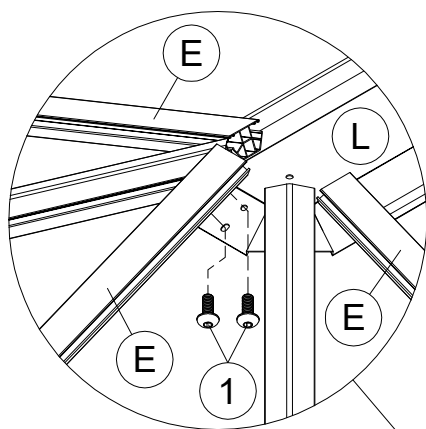


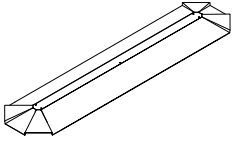
<8>

E 6x



1 M6x15
18x





M 1x

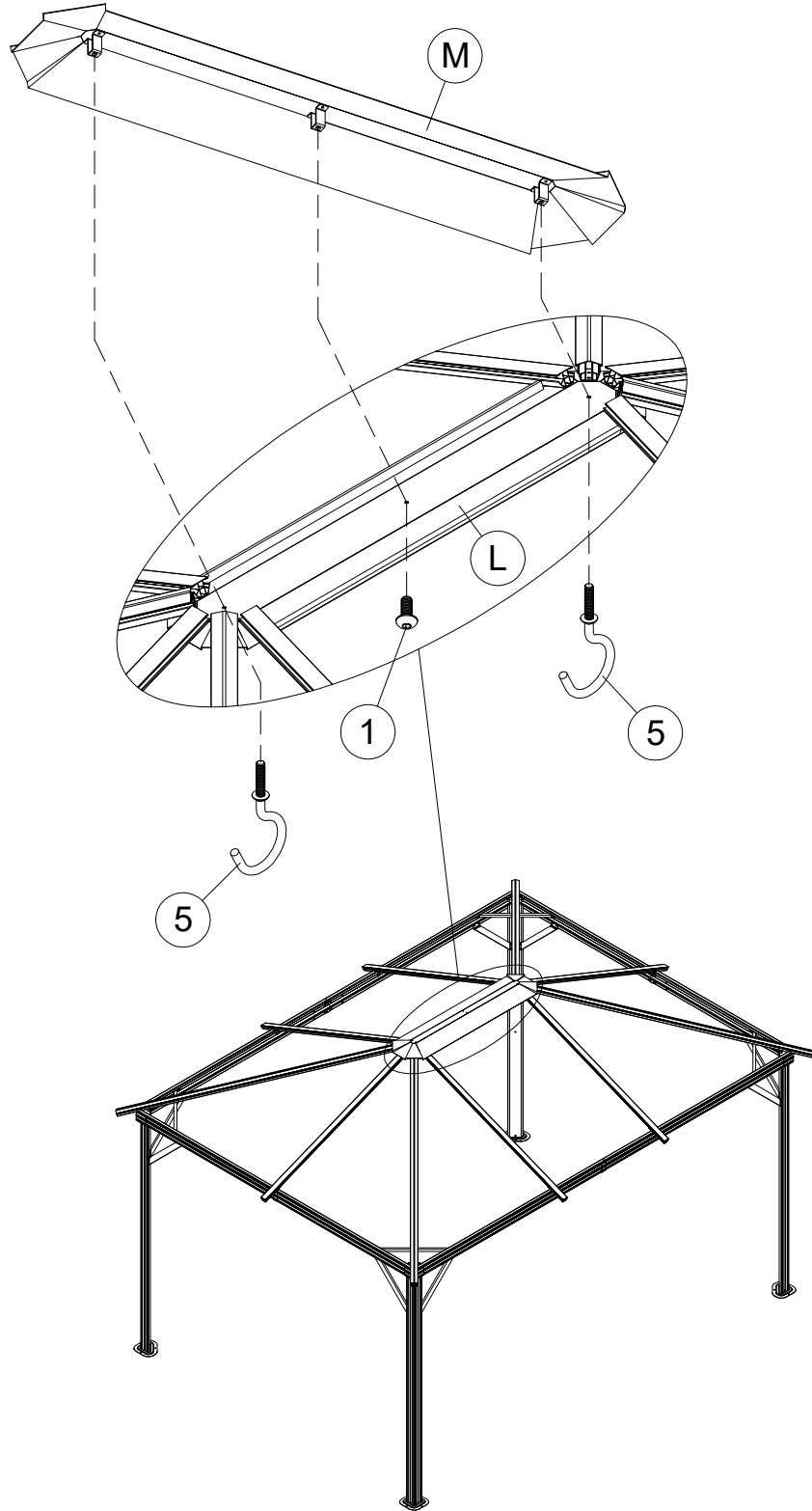


1 1x M6x15



5 2x

<9>



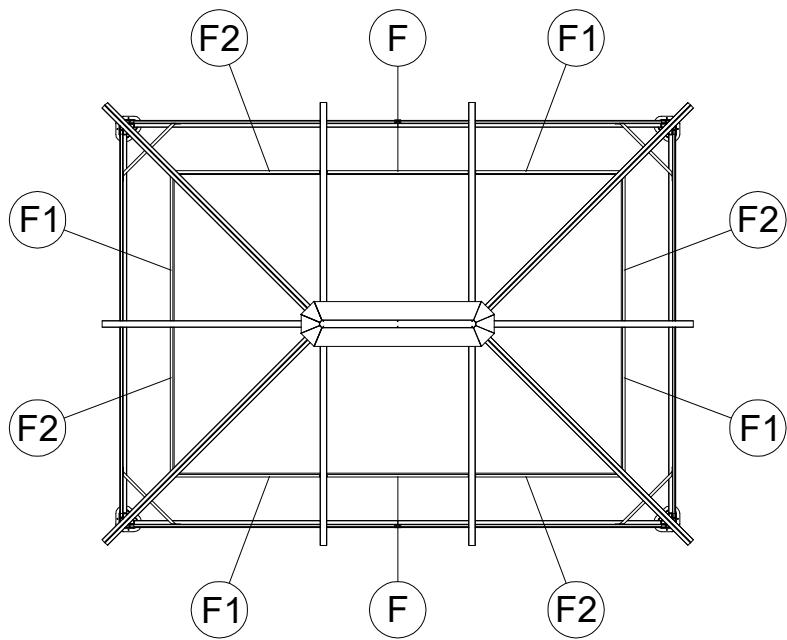
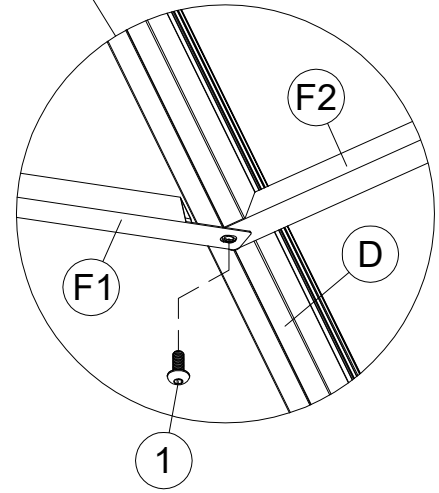
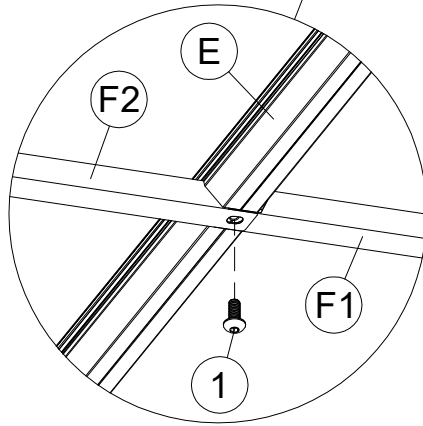
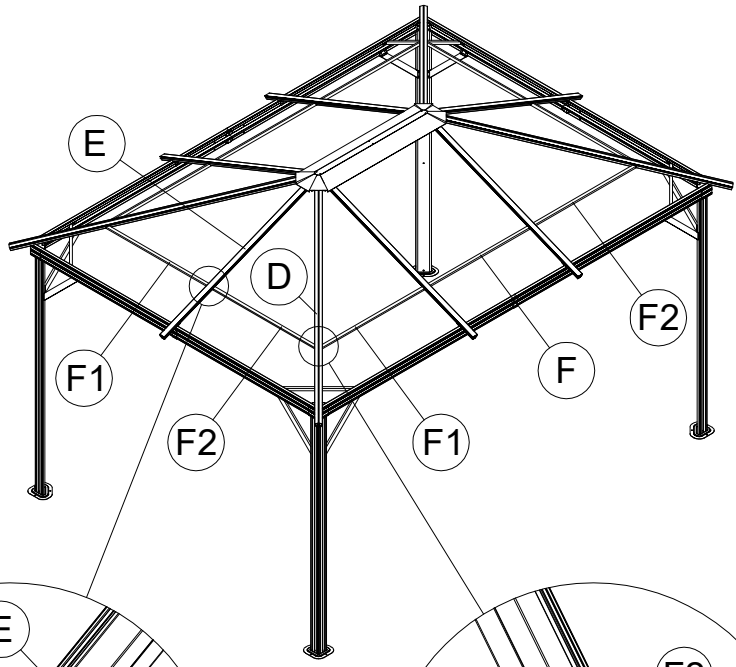
<10>

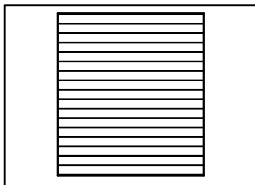
F 2x

F1 4x

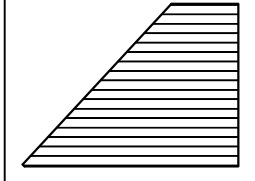
F2 4x

1 10x M6x15

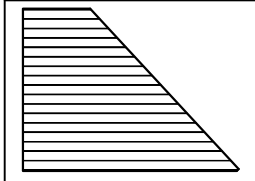




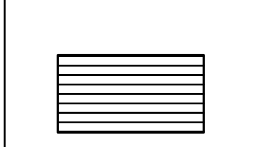
Q 2x



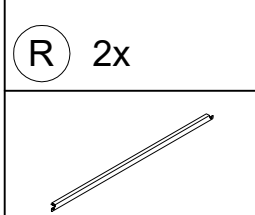
Q1 4x



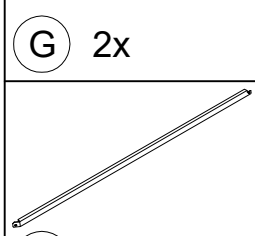
Q2 4x



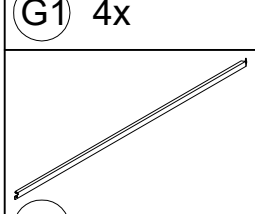
R 2x



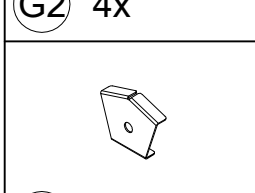
G 2x



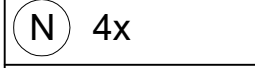
G1 4x



G2 4x



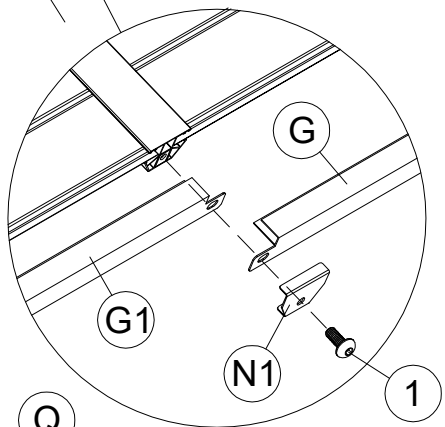
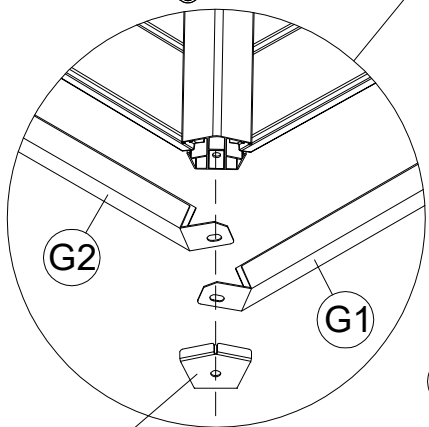
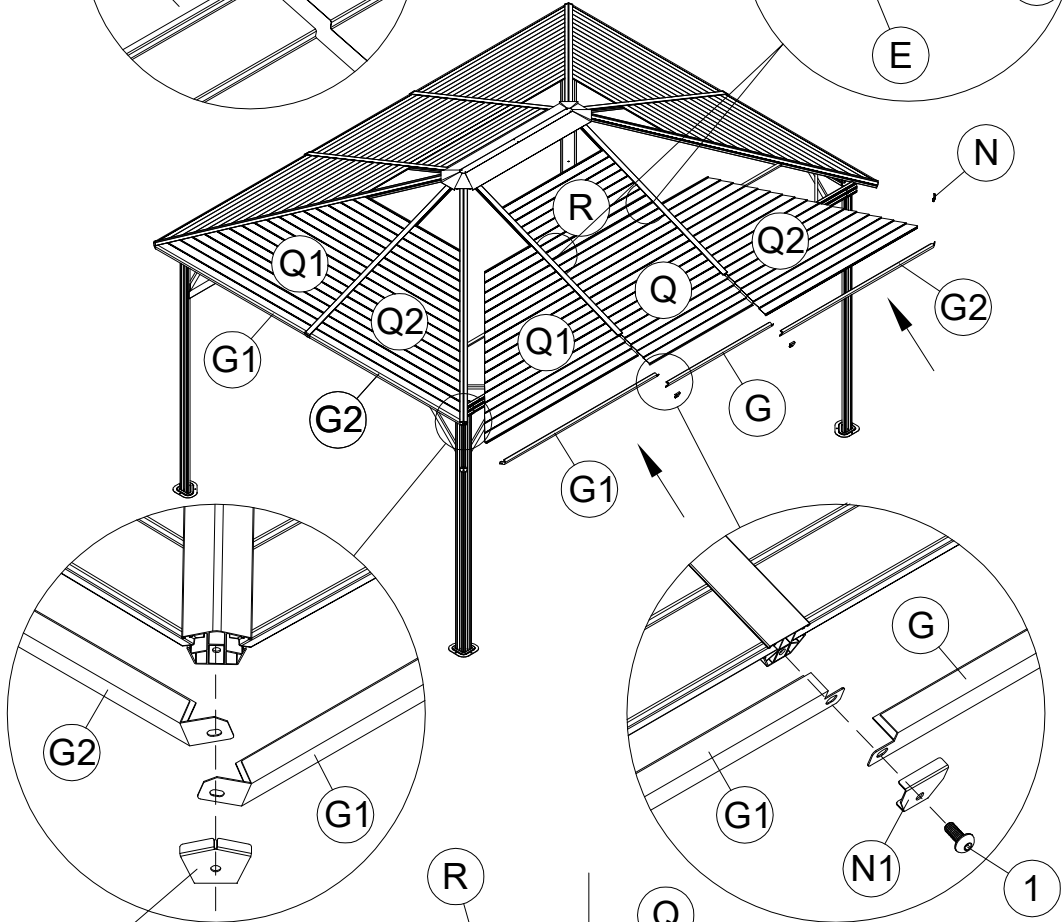
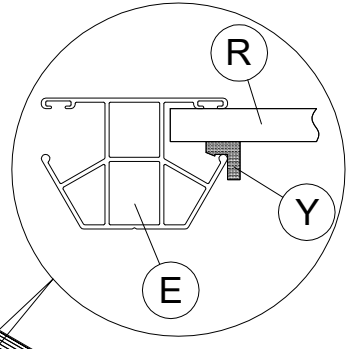
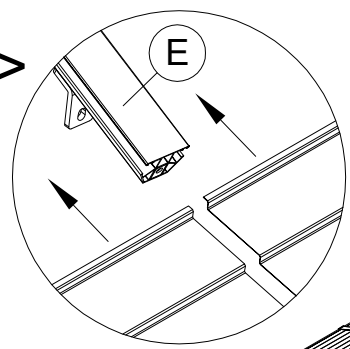
Y 4x



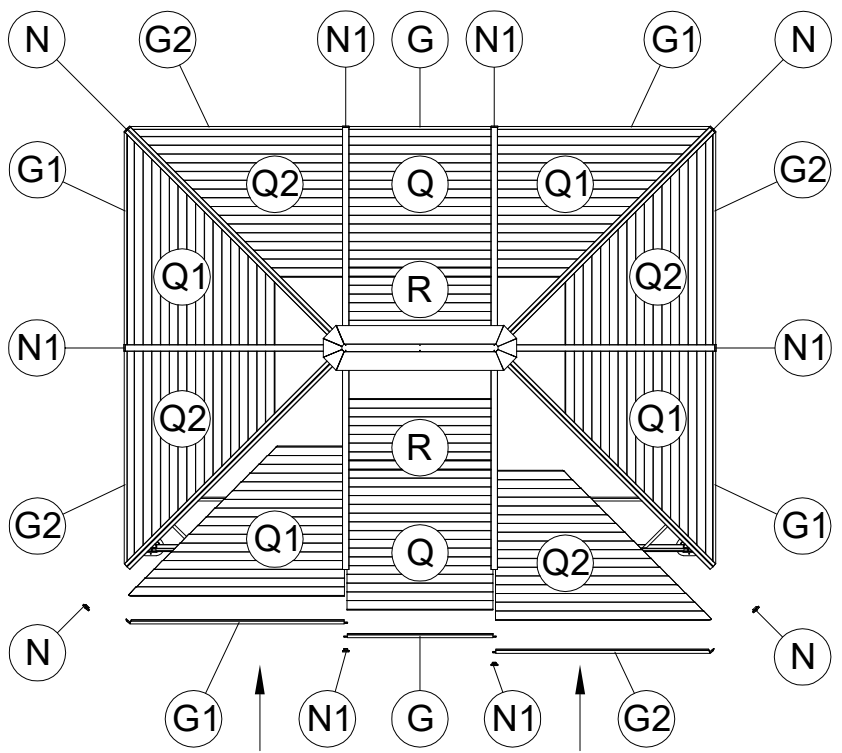
N 4x

13

<11>



- N1 6x
- Y 4x
- N 4x
- 1 10x M6x15





<12>

R1 4x



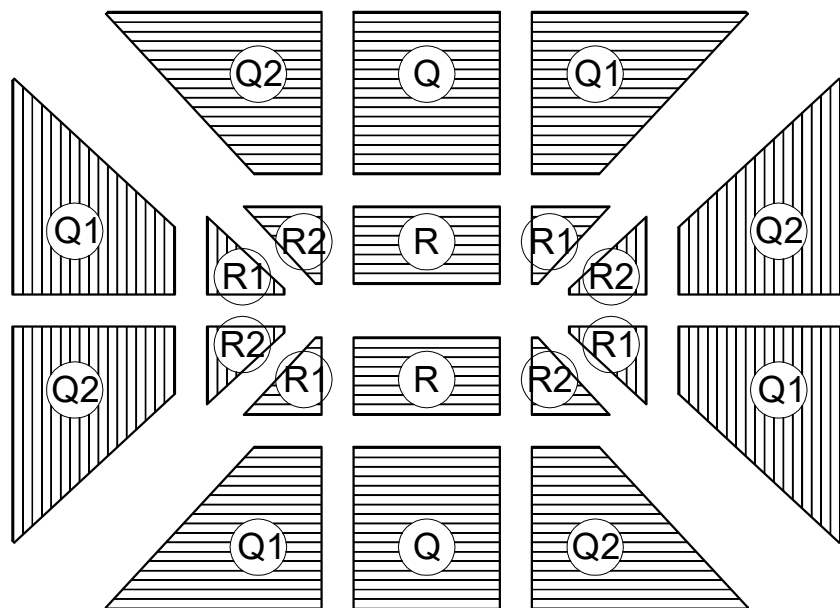
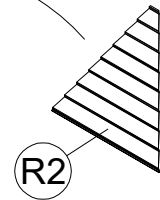
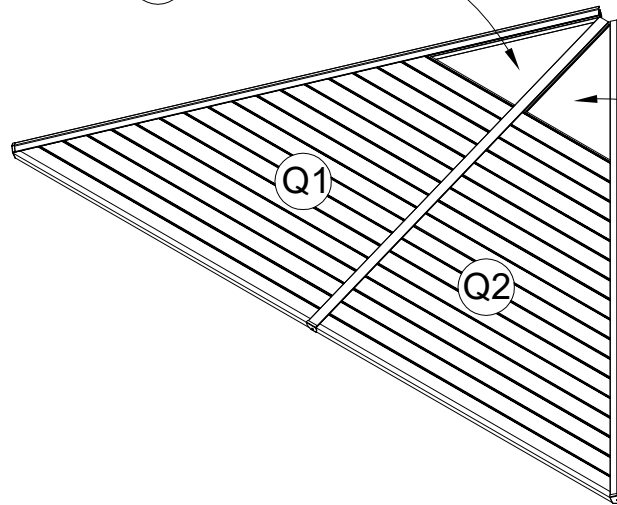
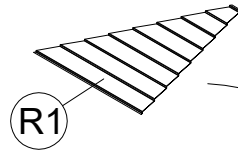
R2 4x

R1 or R2 or R

Q1 or Q2 or Q

D or E

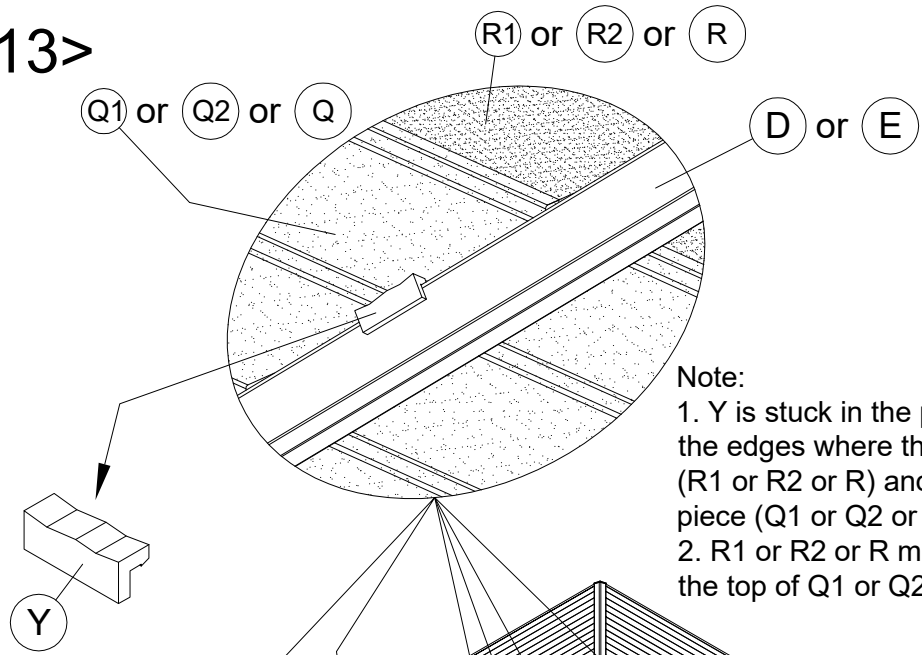
Y





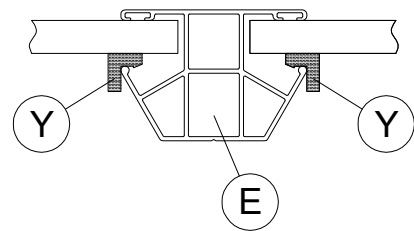
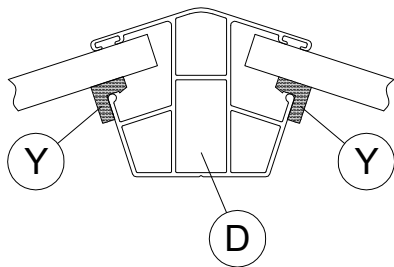
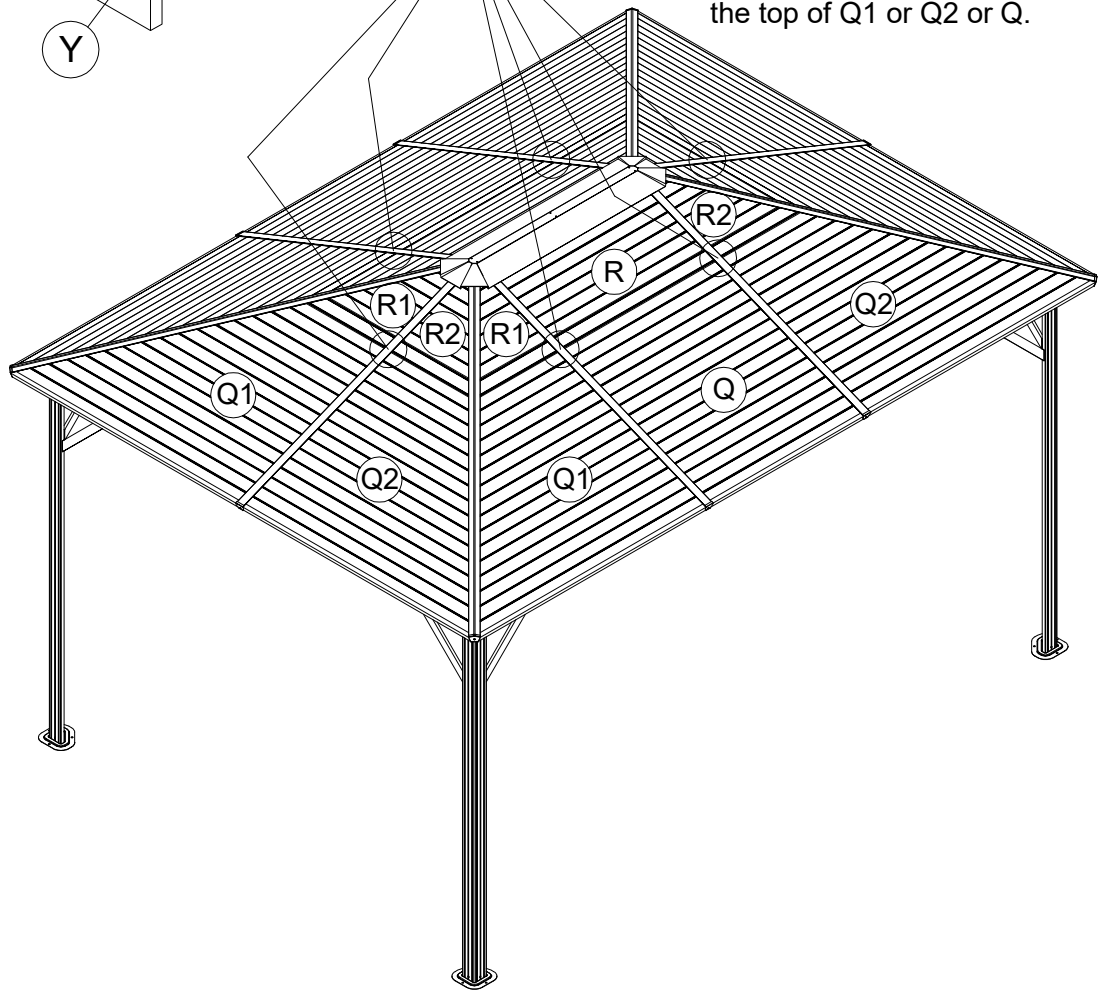
Y 16x

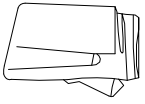
<13>



Note:

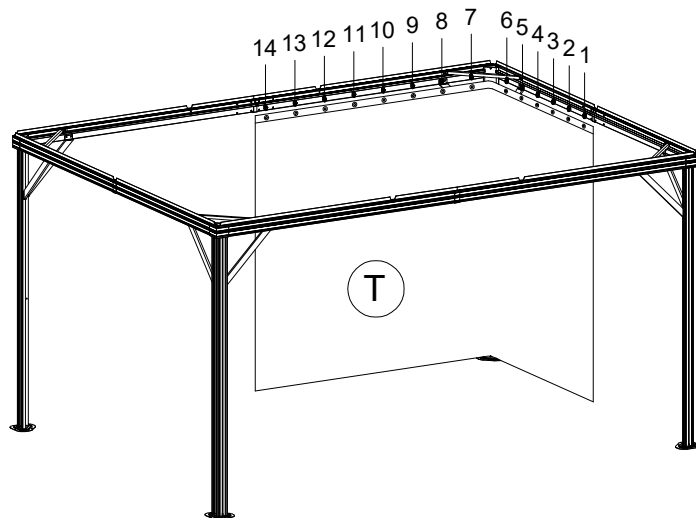
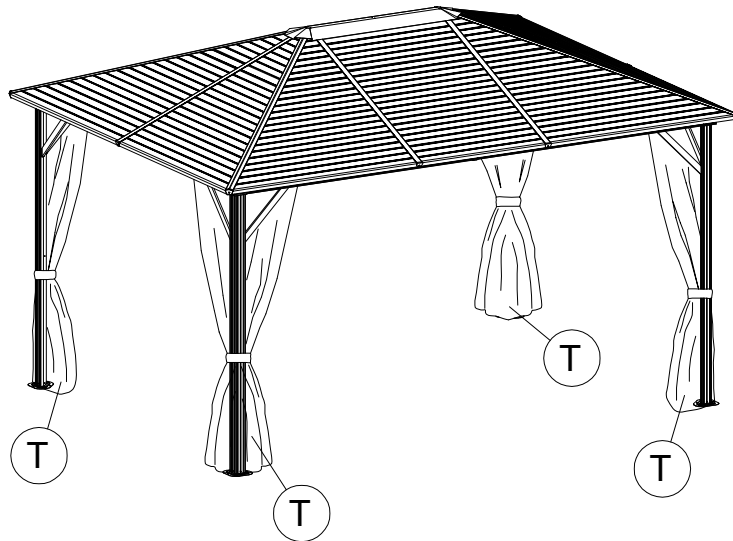
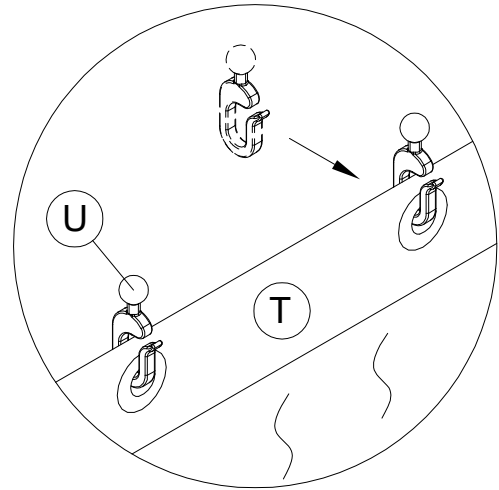
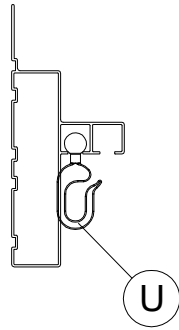
1. Y is stuck in the position of the edges where the small piece (R1 or R2 or R) and the large piece (Q1 or Q2 or Q) overlap.
2. R1 or R2 or R must pile up on the top of Q1 or Q2 or Q.

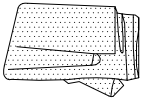




<14>

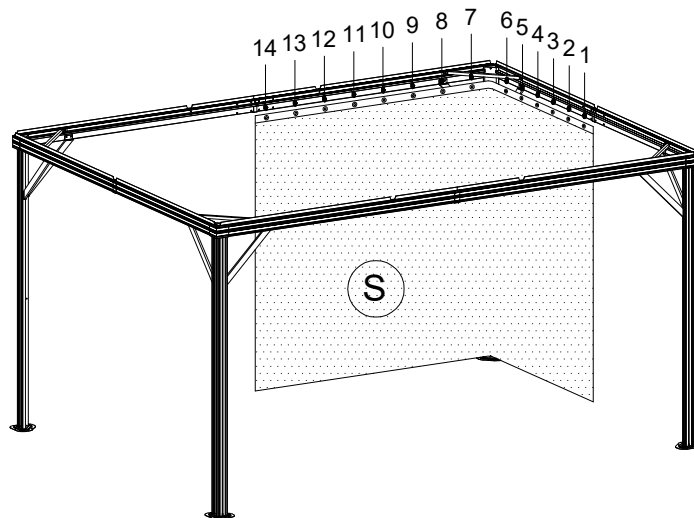
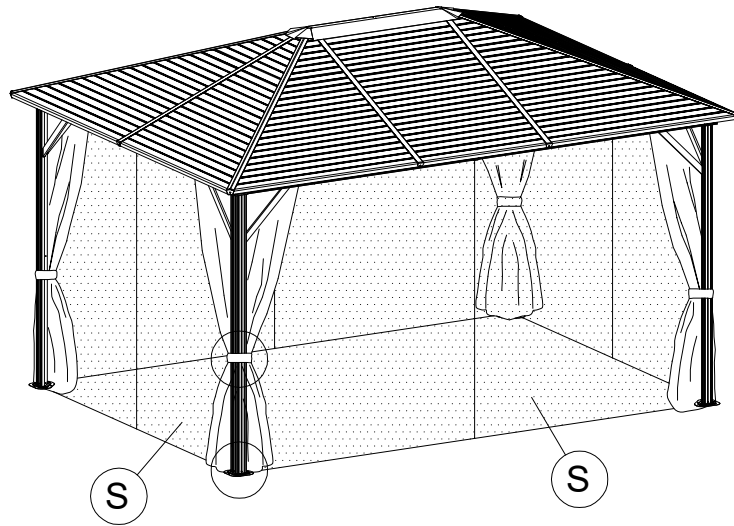
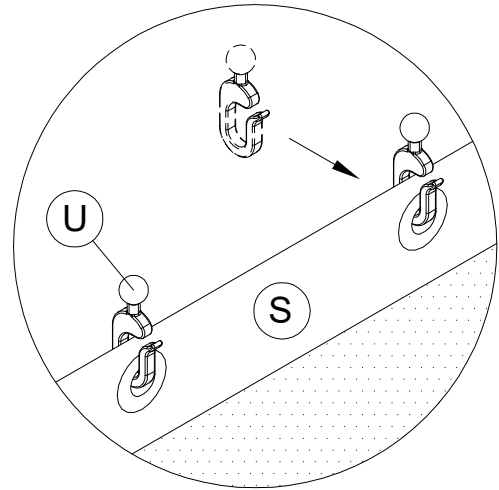
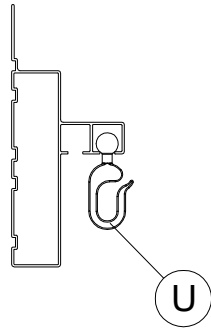
T 4x





<15>

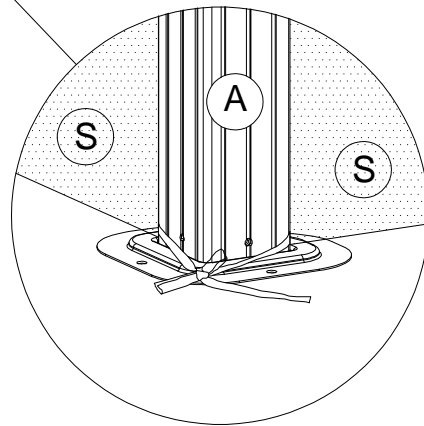
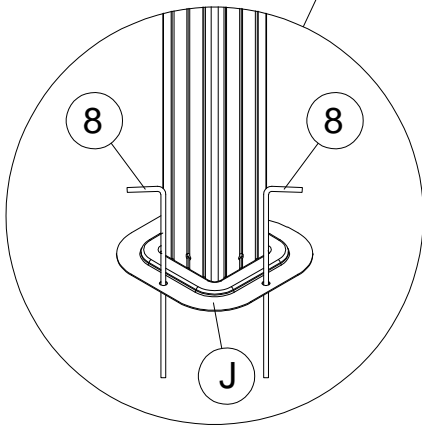
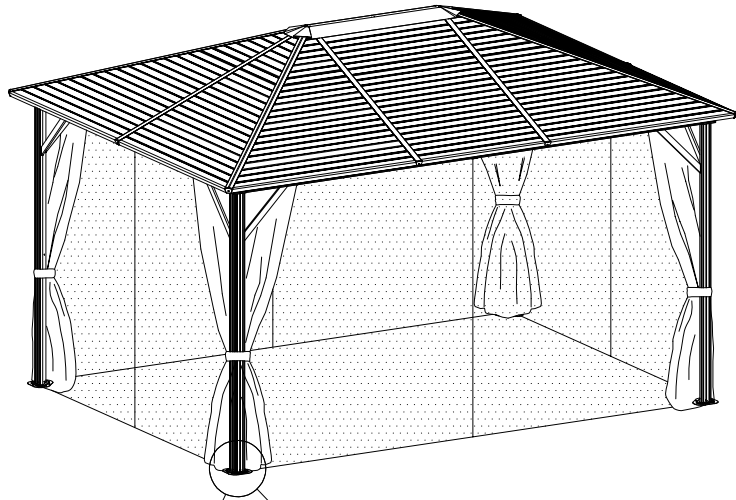
S 4x





<16>

8 12x



Contact information

Austria



Belgium



Croatia



Denmark



Estonia



Finland



France



Germany



Ireland



Italy



Latvia



Lithuania



Nederland



Norway



Poland



Portugal



Spain



Sweden



Switzerland



UK

