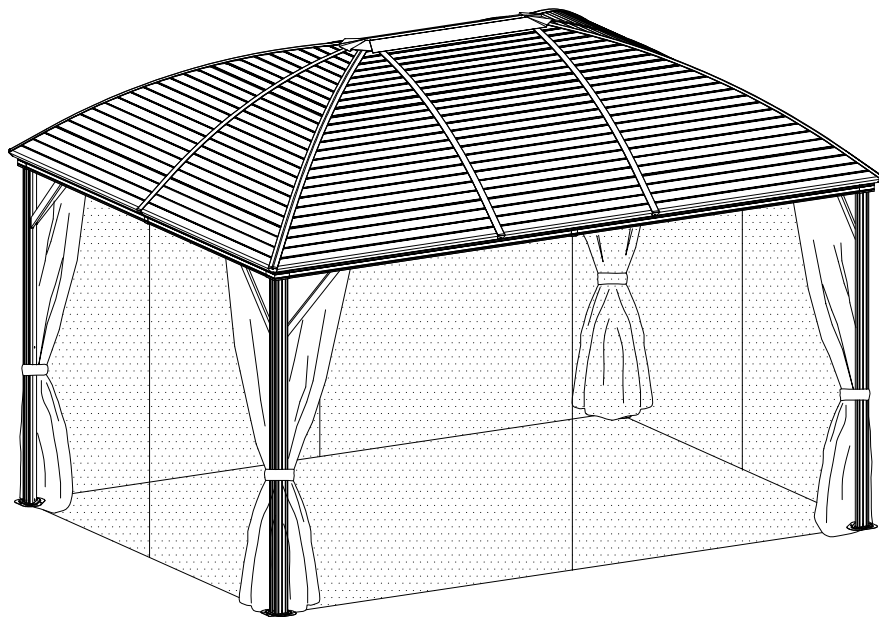


**DANCOVER<sup>®</sup>**

**.com**

Manual  
for  
Gazebo San Jose 3x4m  
Black

**3 x 4 M**





(A) 4x



(B) 2x



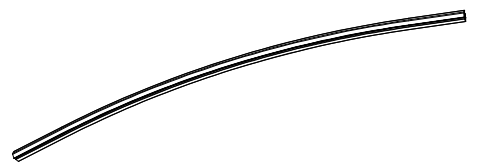
(B1) 2x



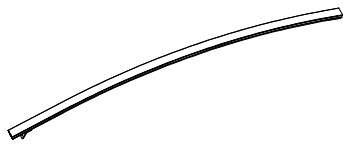
(C) 2x



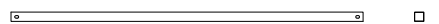
(C1) 2x



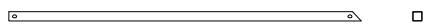
(D) 4x



(E) 6x



(F) 2x



(F1) 8x



(G) 2x



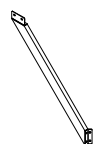
(G1) 4x



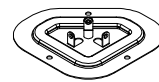
(G2) 4x



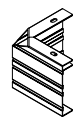
(H1) 4x



(H2) 4x



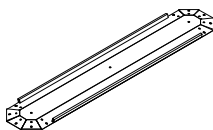
(J) 4x



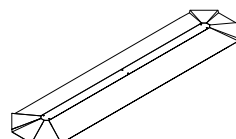
(K) 4x



(K1) 4x




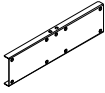
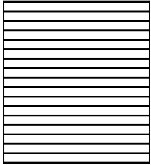
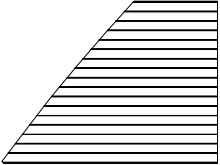
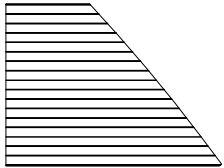
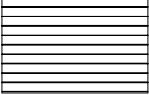
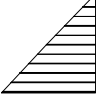
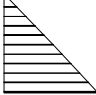
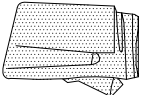


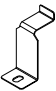
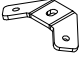
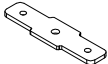
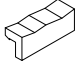







(L) 1x



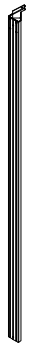
(M) 1x



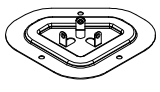
(N) 4x

			
(N1) 6x	(P) 4x	(Q) 2x	(Q1) 4x
			
(Q2) 4x	(R) 2x	(R1) 4x	(R2) 4x
			
(S) 4x	(T) 4x	(U) 112x	(V) 4x
			
(W) 4x	(W1) 6x	(Y) 20x	(Z1) 12x
S4  1x			
 M6x15 (1) 113x	 M6x10 (2) 32x	 M5x12 (3) 48x	 ST4.8x12 (4) 24x
 (5) 2x			

<1>



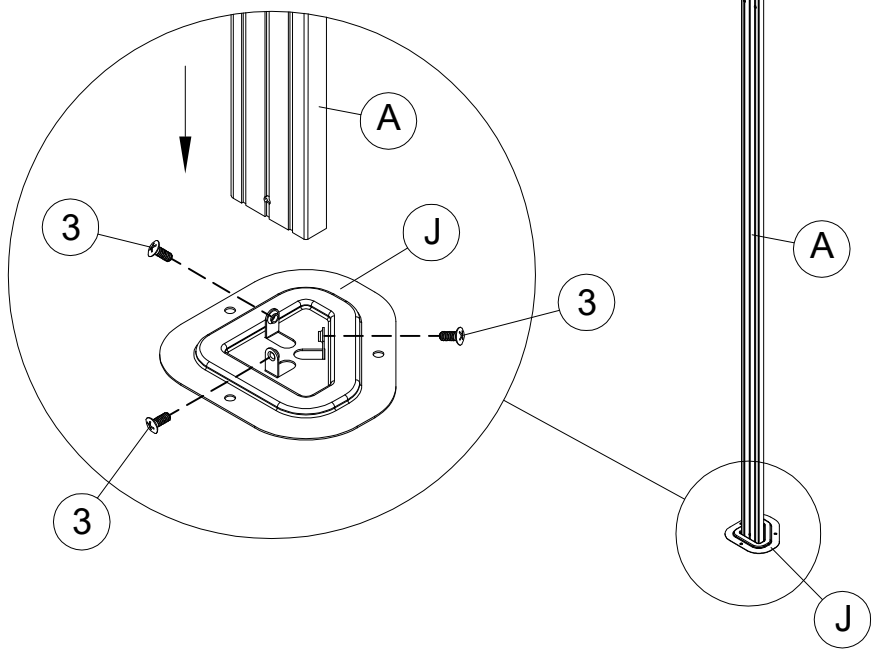
A 4x



J 4x

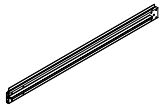


3 12x M5x12

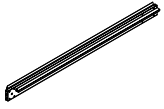


4

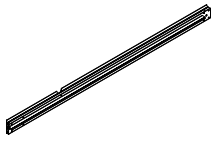
<2>



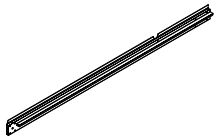
B 2x



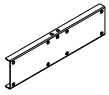
B1 2x



C 2x



C1 2x

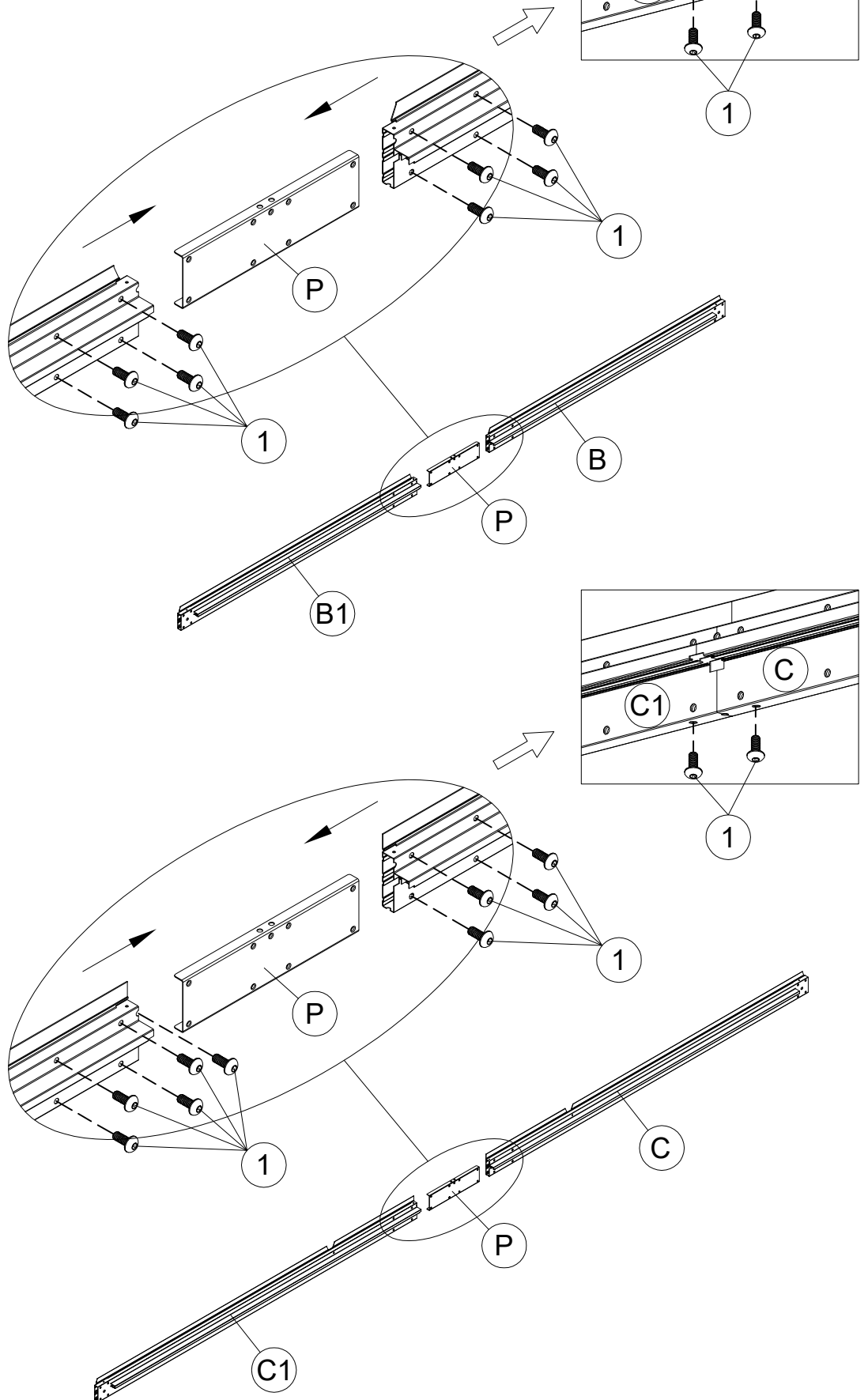


P 4x



1 42x M6x15

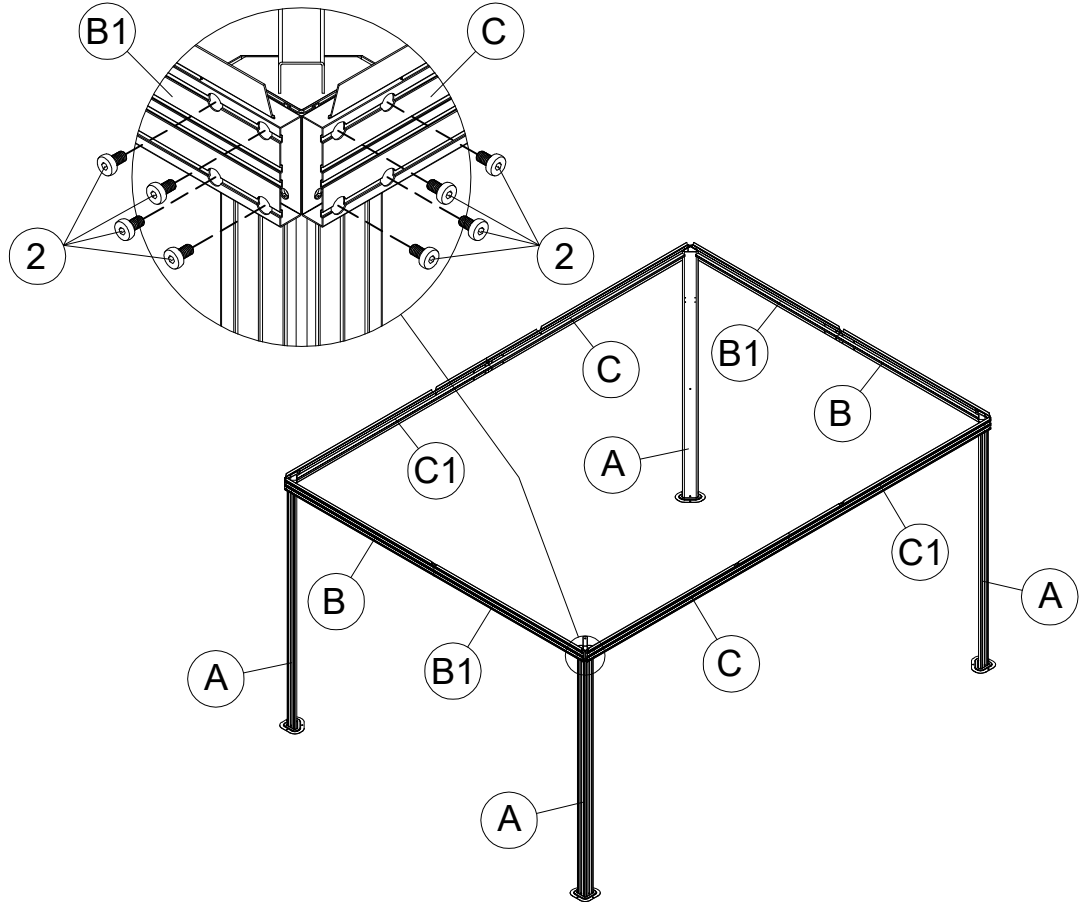
5



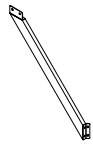


2 M6x10  
32x

<3>



H1 4x

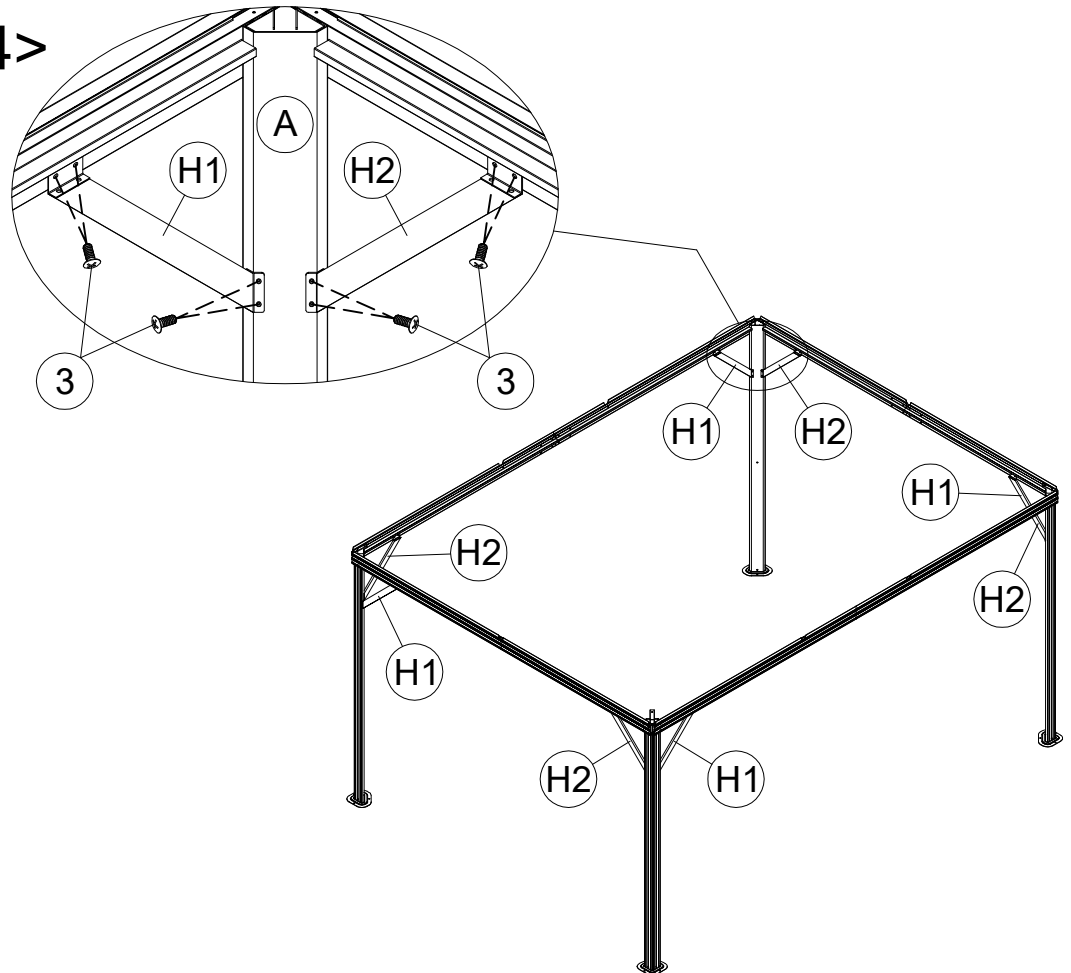


H2 4x



3 M5x12  
32x

<4>



6

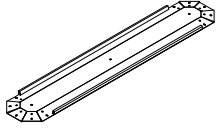






<6>

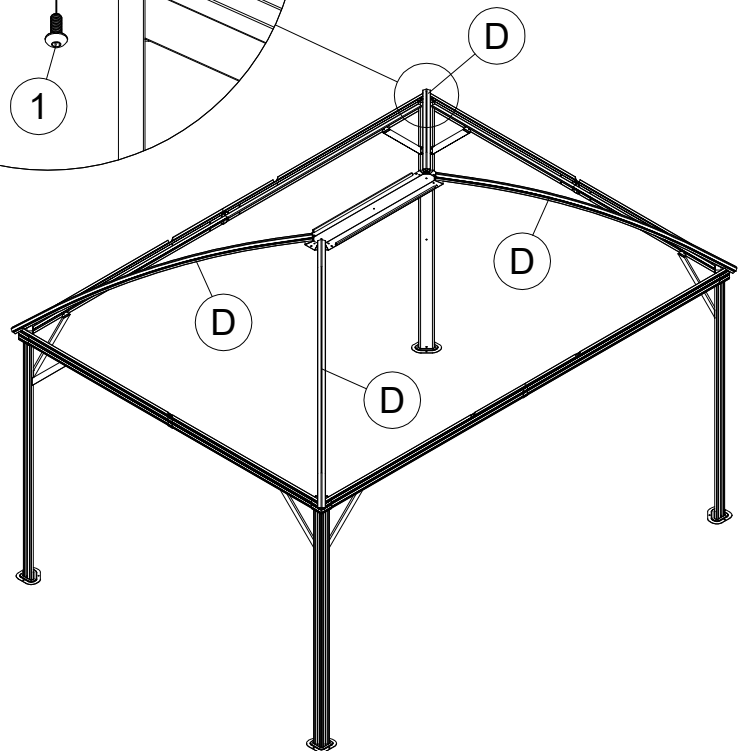
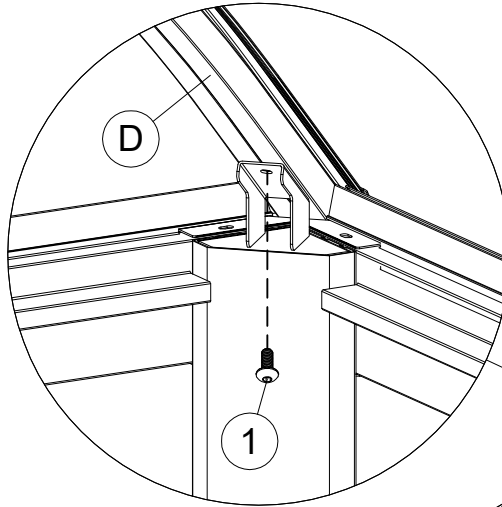
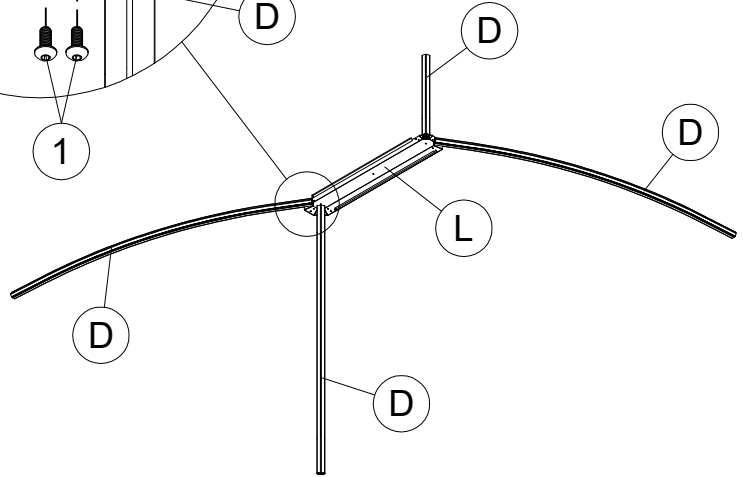
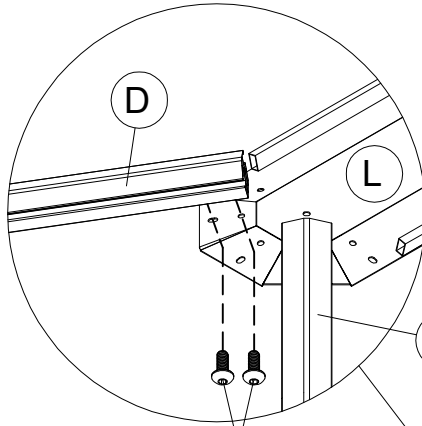
(D) 4x



(L) 1x



(1) 12x M6x15



8

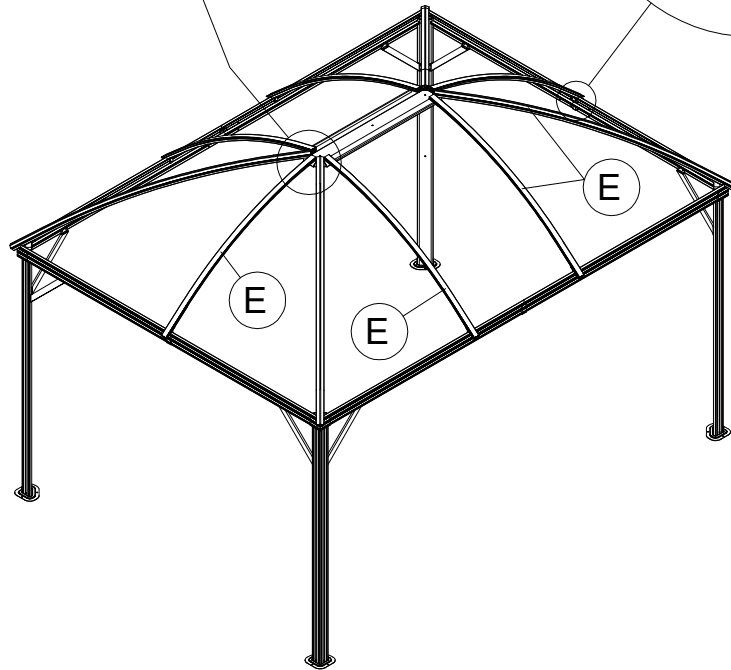
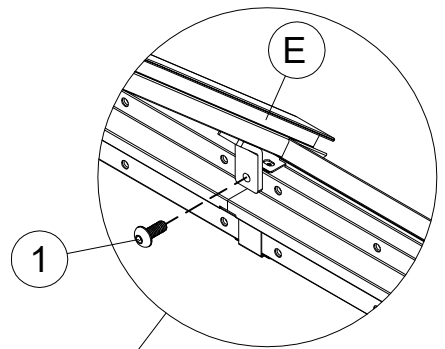
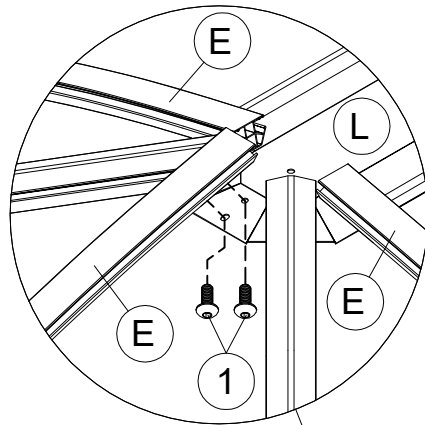


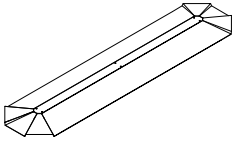
<7>

E 6x



1 18x M6x15





M 1x

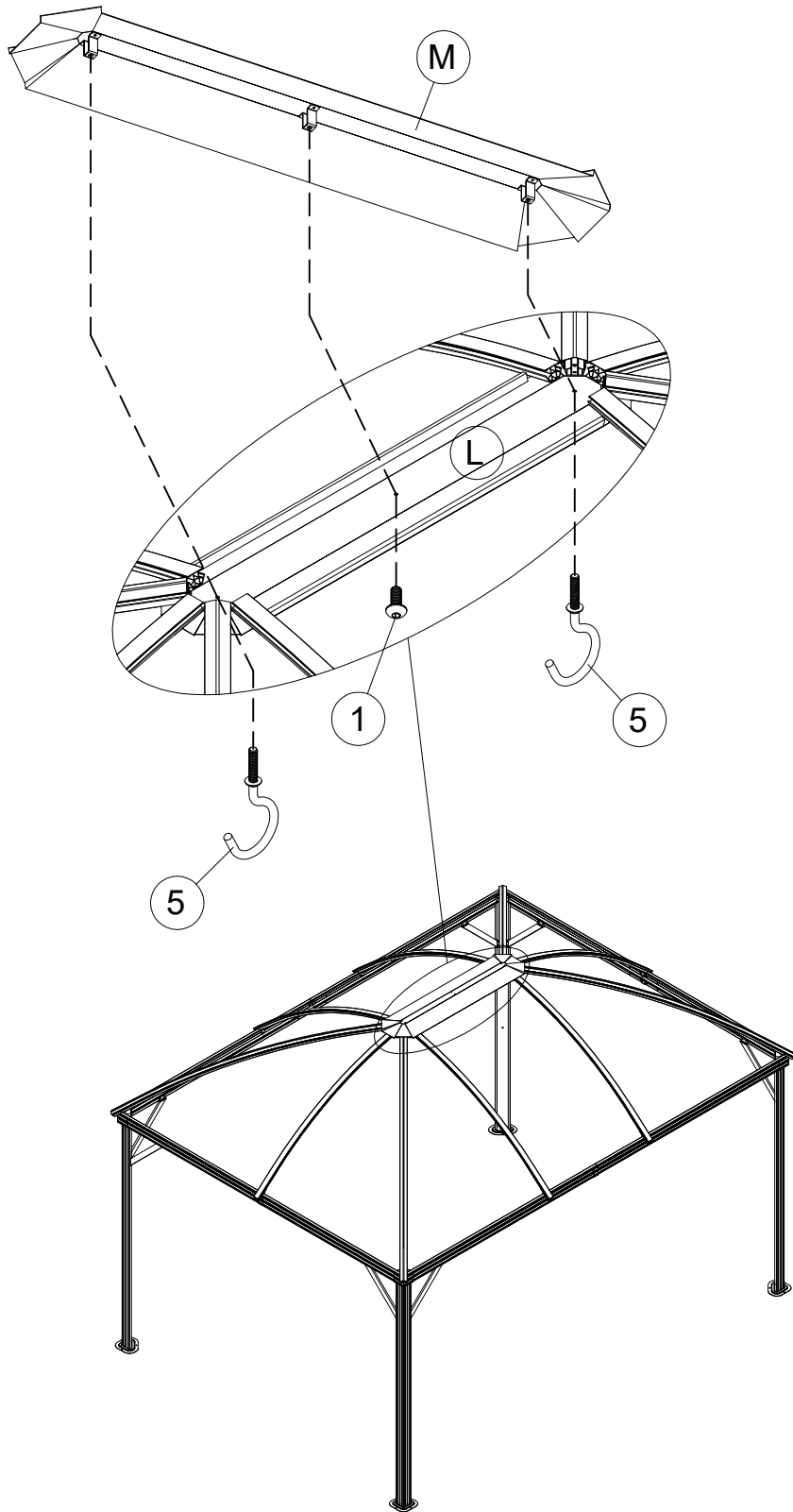


1 1x M6x15



5 2x

<8>



<9>



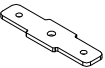
F 2x



F1 8x



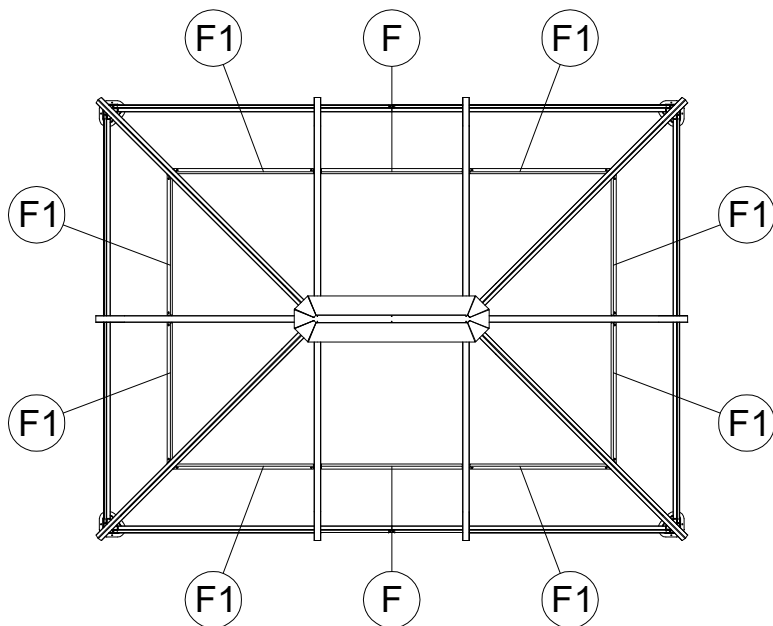
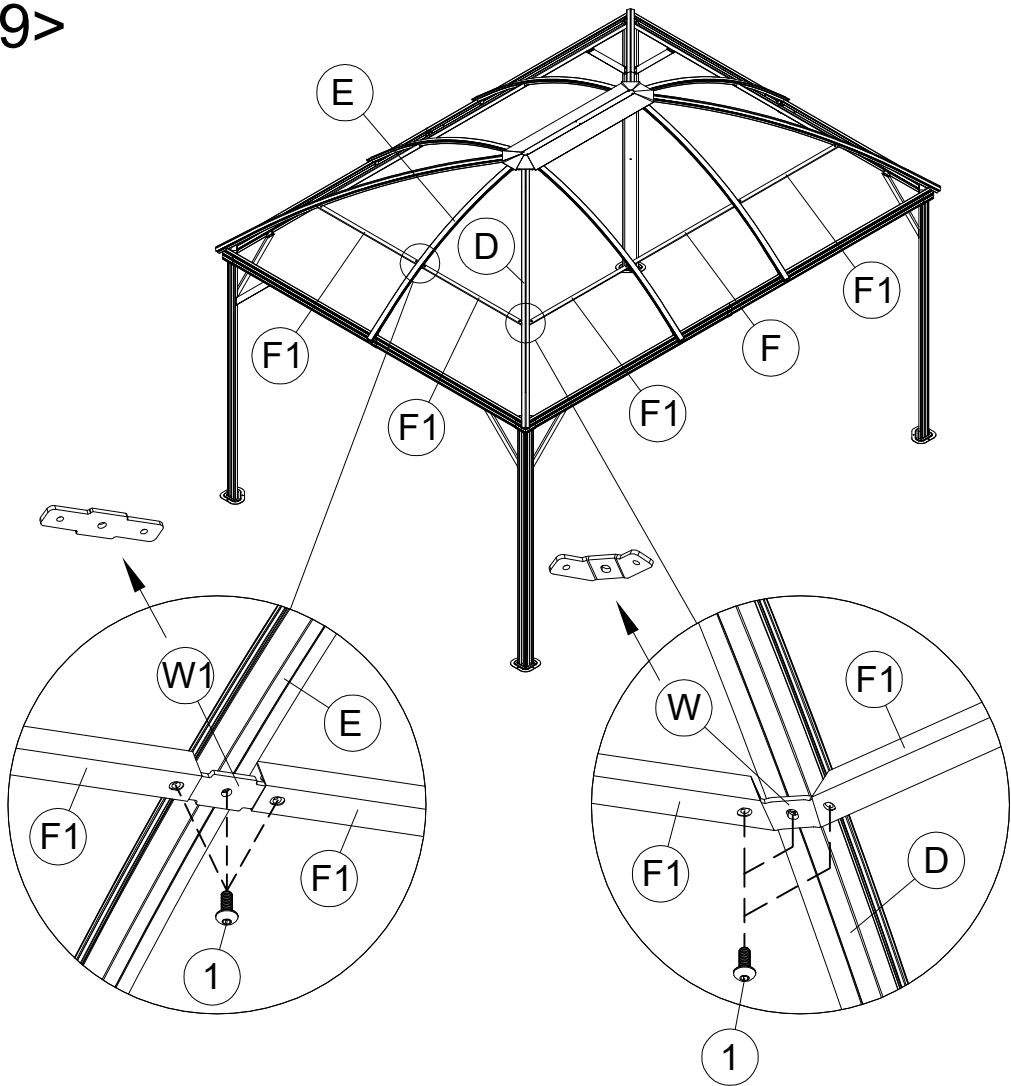
W 4x

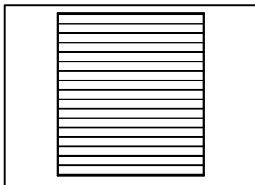


W1 6x

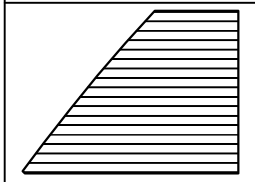


1 30x M6x15

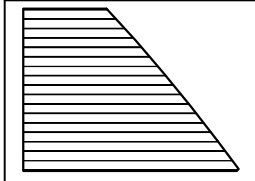




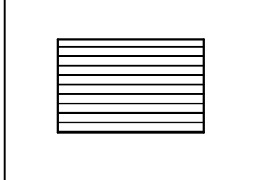
Q 2x



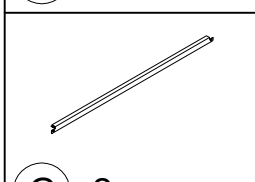
Q1 4x



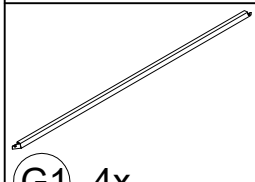
Q2 4x



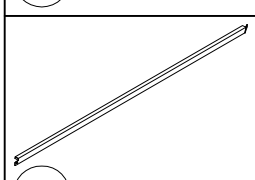
R 2x



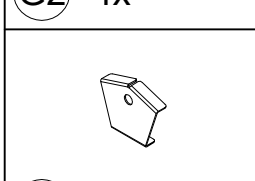
G 2x



G1 4x



G2 4x

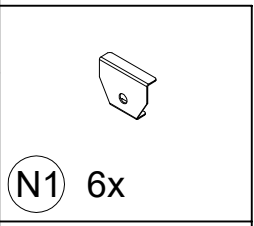
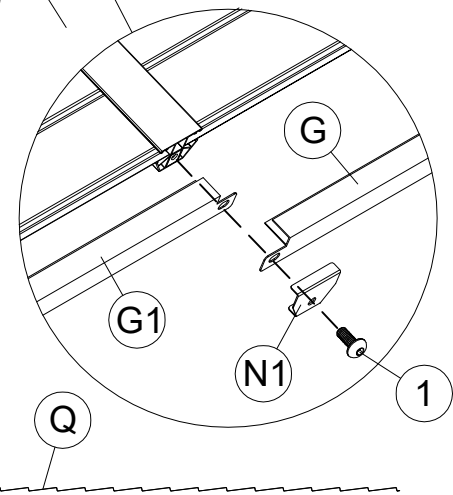
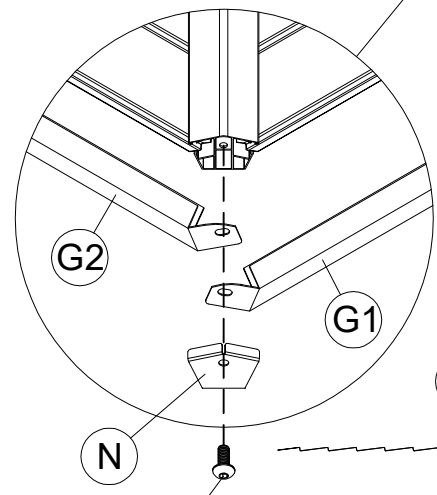
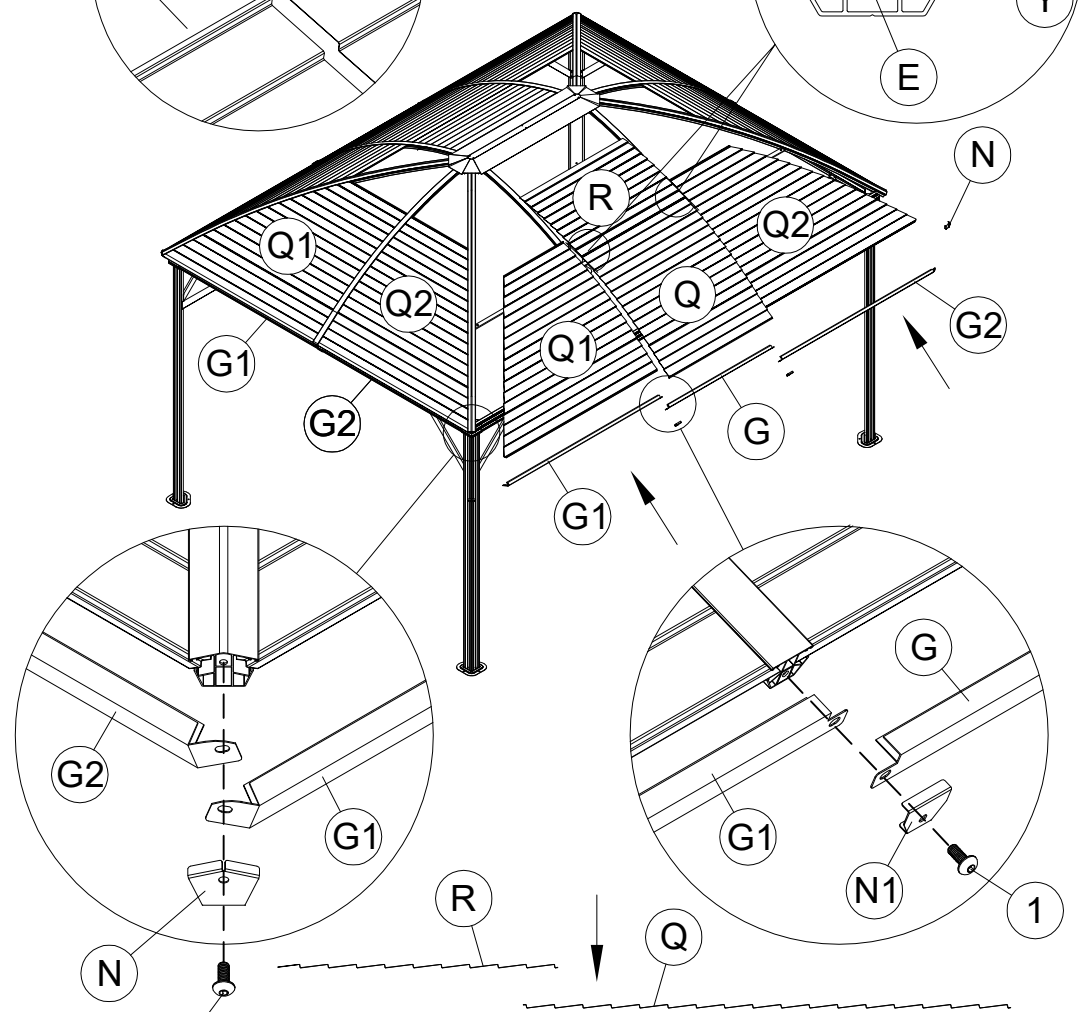
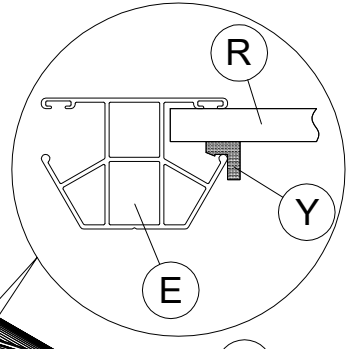
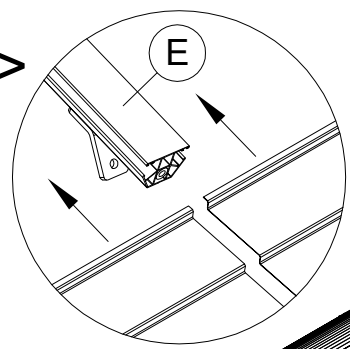


Y 4x

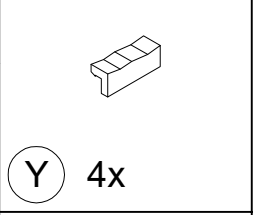
N 4x

12

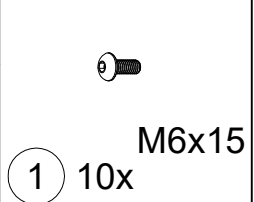
<10>



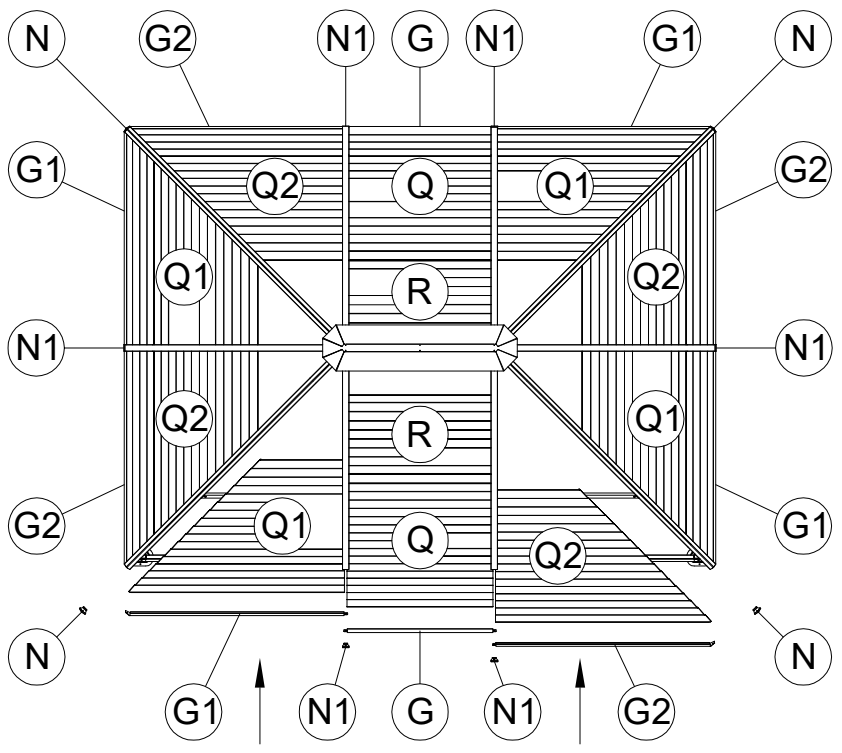
N1 6x

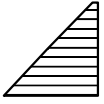


Y 4x

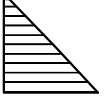


1 10x M6x15





R1 4x

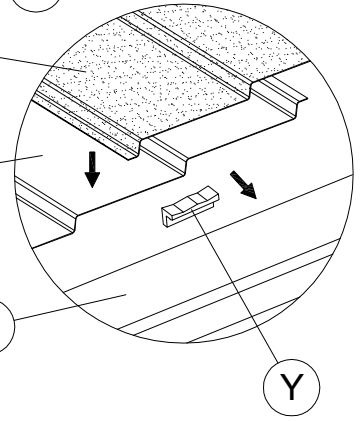


R2 4x

<11>

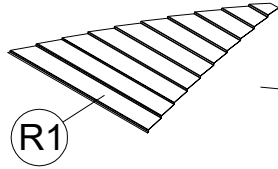
R1 or R2 or R

Q1 or Q2 or Q

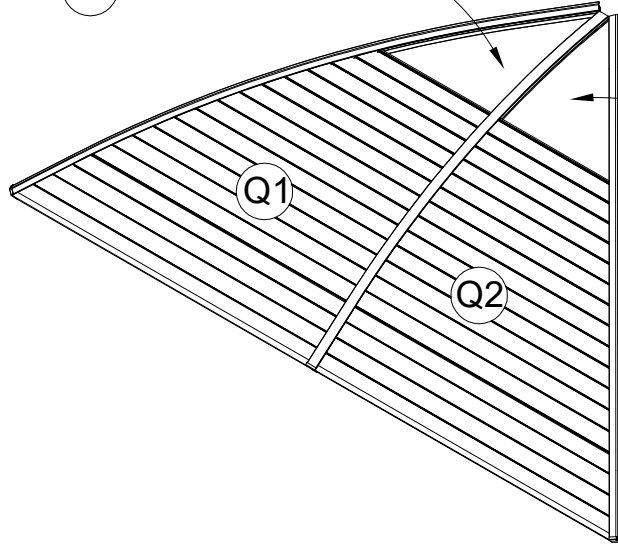


D or E

Y

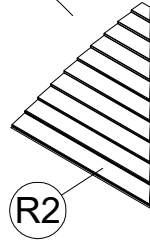


R1

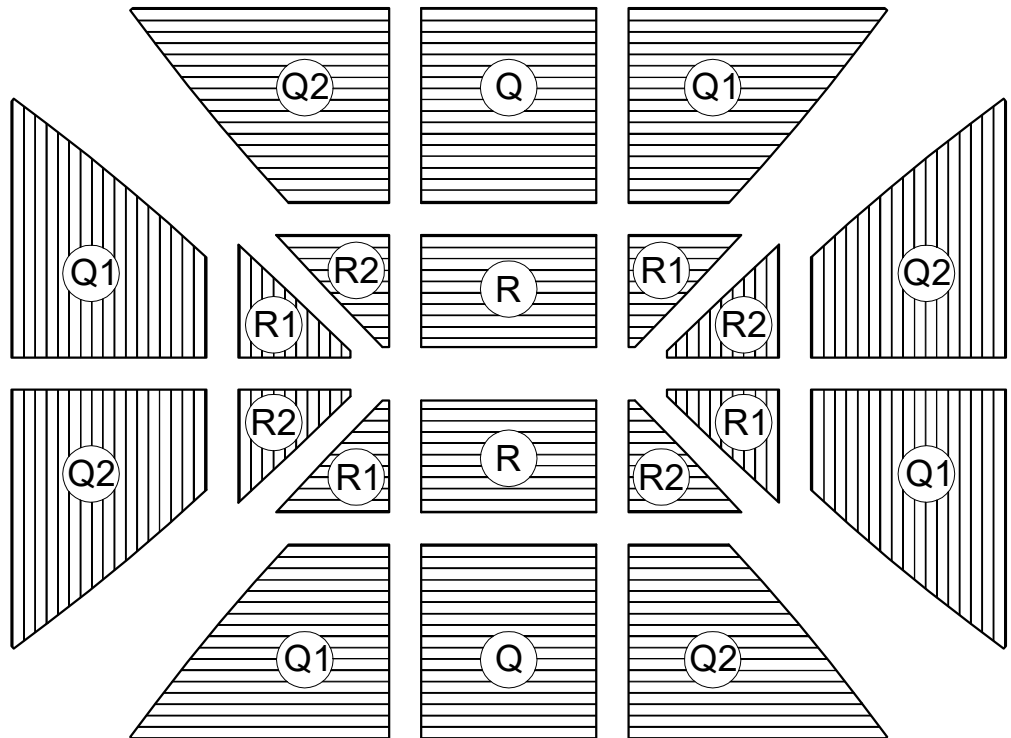


Q1

Q2



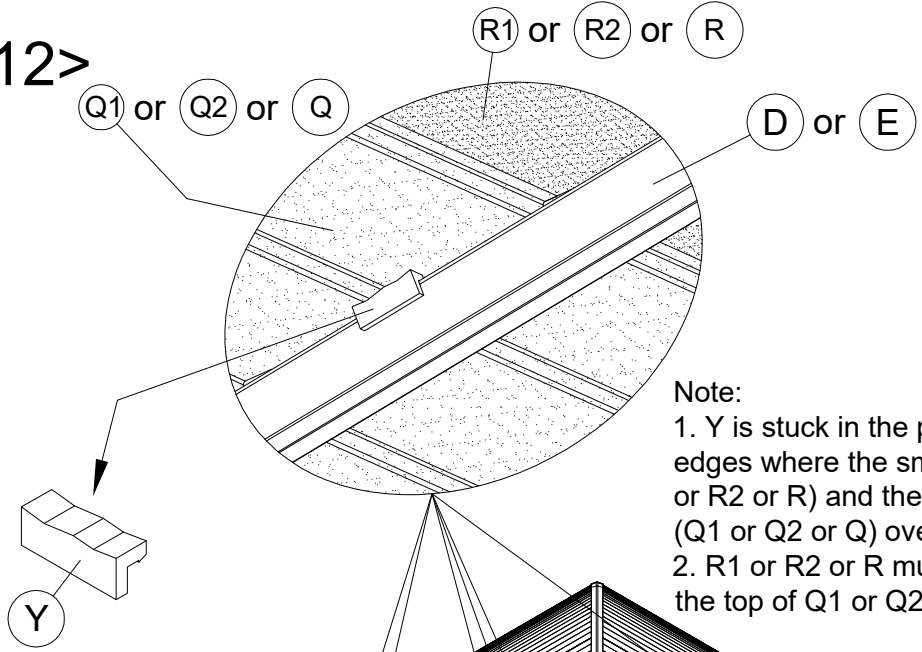
R2





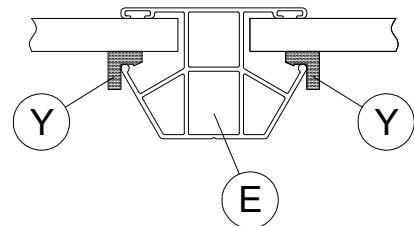
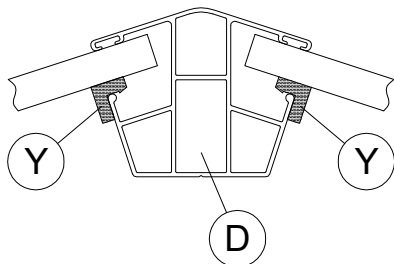
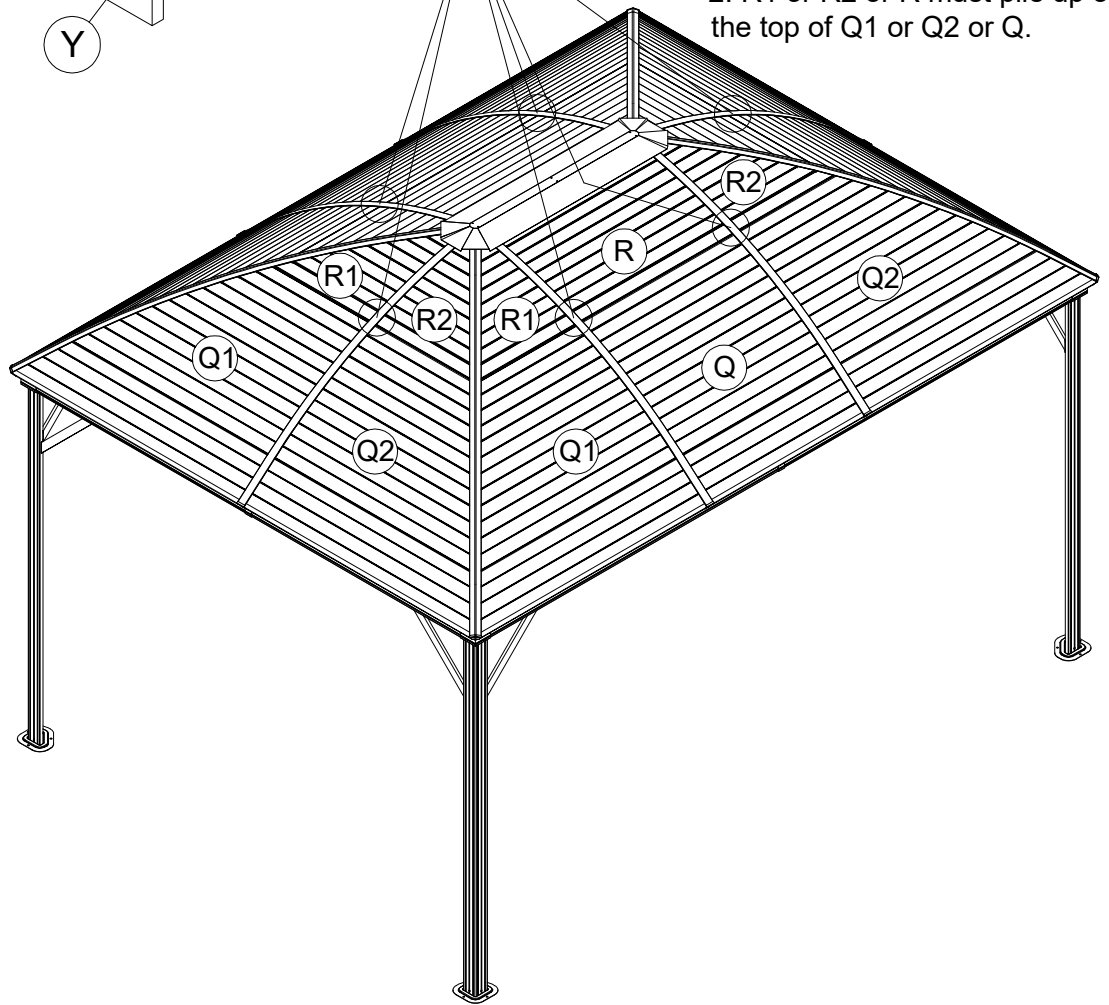
Y 16x

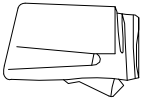
<12>



Note:

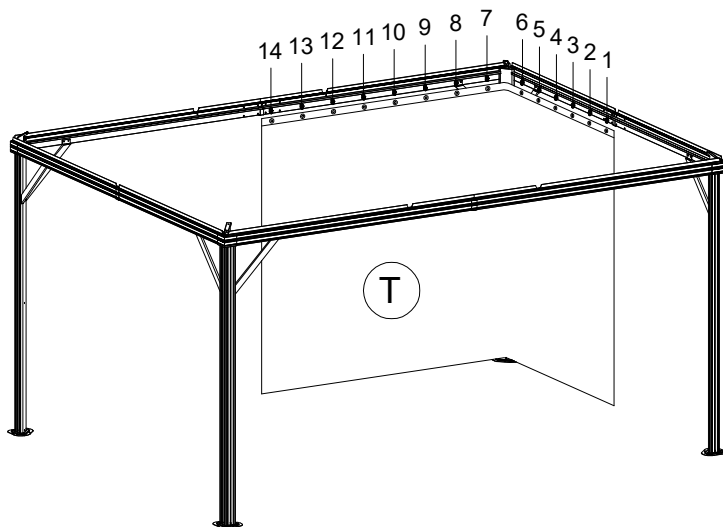
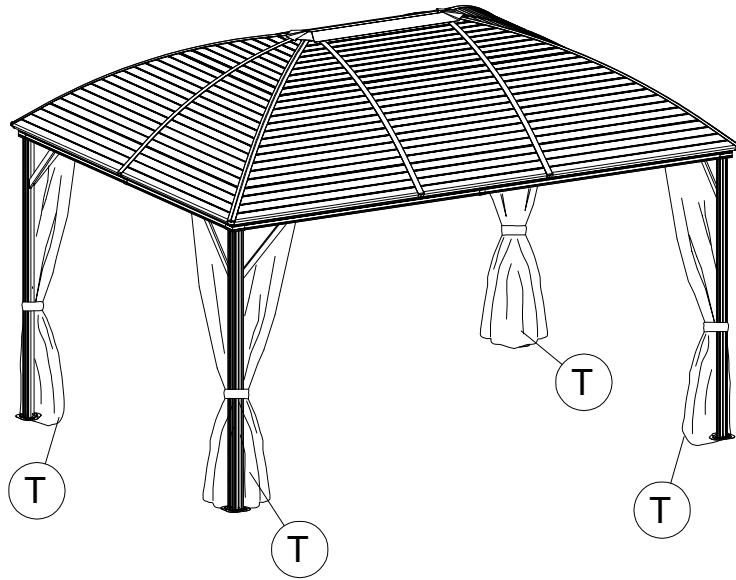
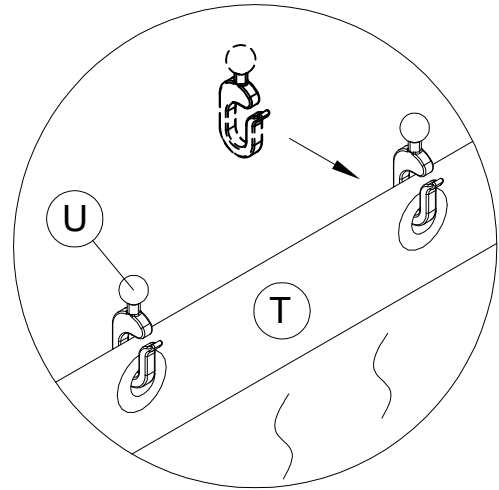
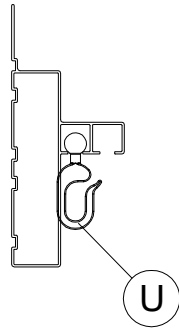
1. Y is stuck in the position of the edges where the small piece (R1 or R2 or R) and the large piece (Q1 or Q2 or Q) overlap.
2. R1 or R2 or R must pile up on the top of Q1 or Q2 or Q.



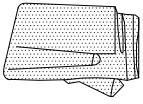


<13>

T 4x

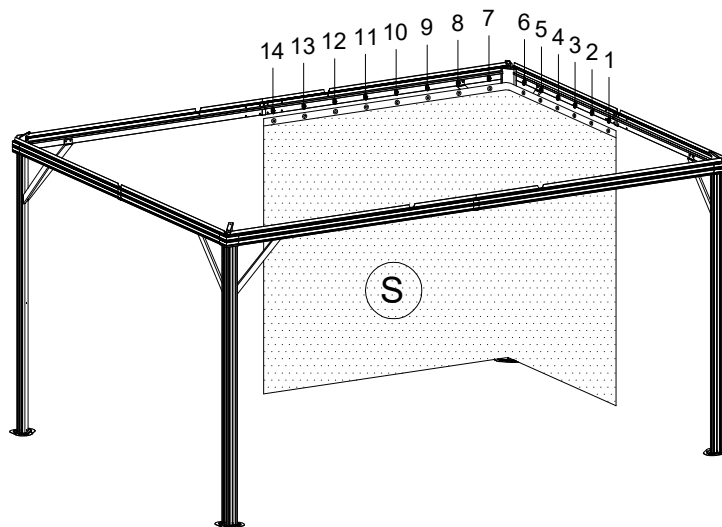
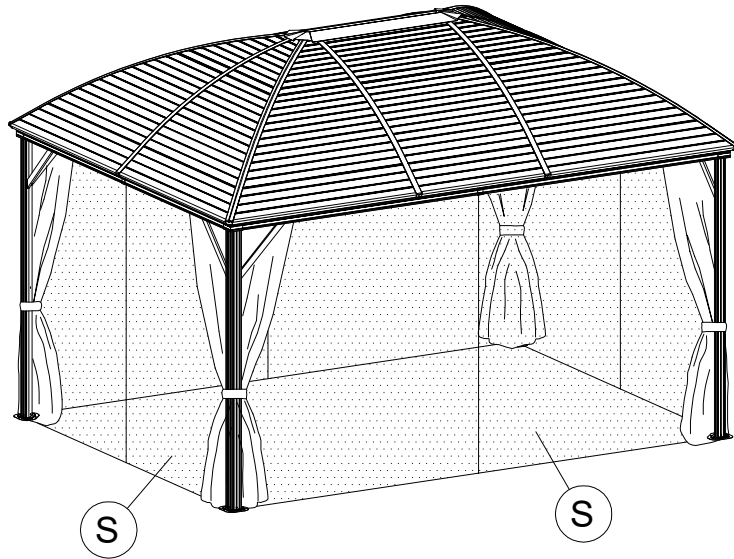
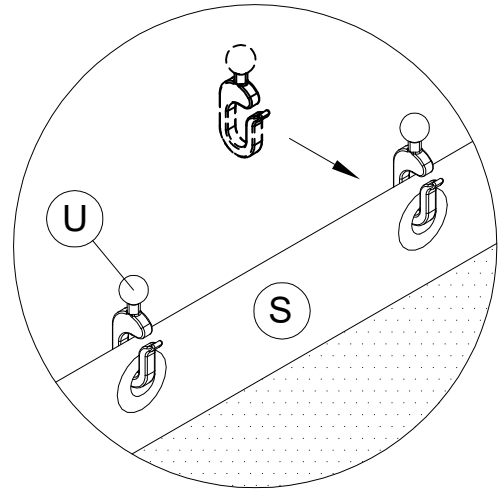
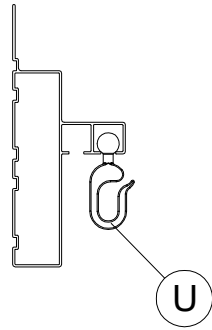






<14>

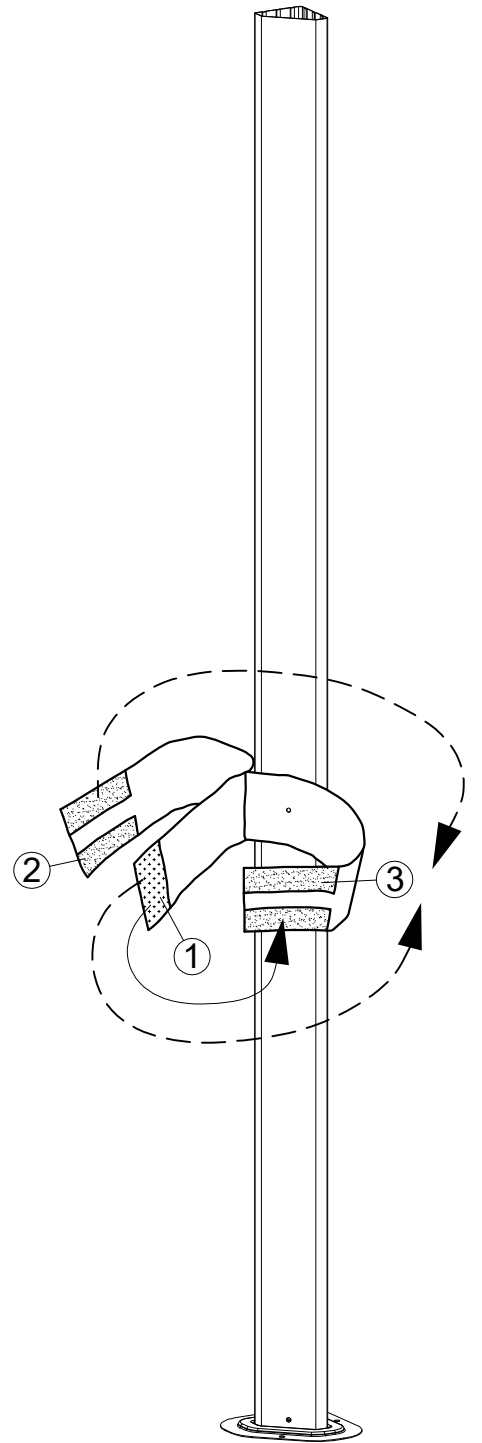
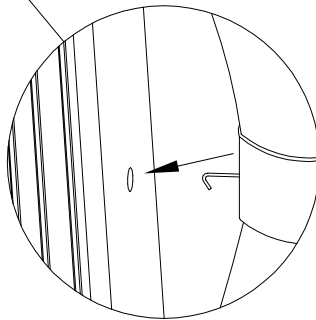
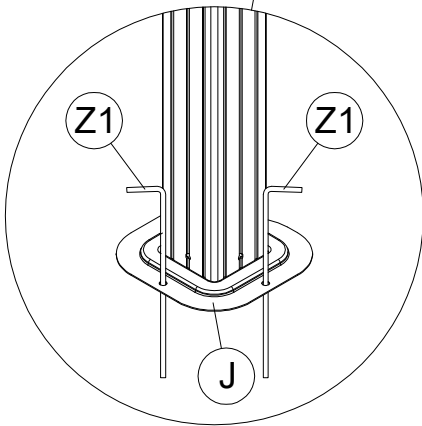
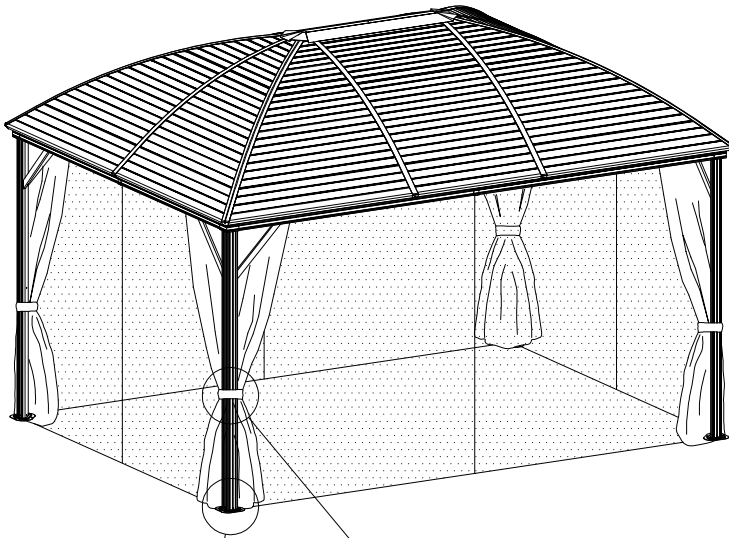
S 4x





<15>

Z1 12x



Note:

1. 1 stick 2 tie S and T together
2. 1 stick 3 towards back tie T
3. 1 stick 3 towards front tie S

## Contact information

Austria



Belgium



Croatia



Denmark



Estonia



Finland



France



Germany



Ireland



Italy



Latvia



Lithuania



Nederland



Norway



Poland



Portugal



Spain



Sweden



Switzerland



UK

