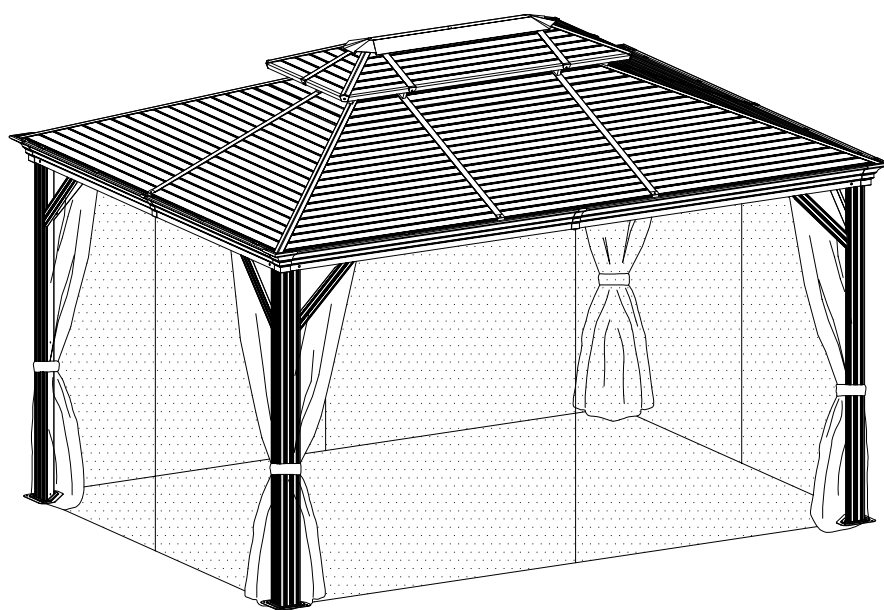


# CosyLifeStyle<sup>®</sup>

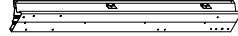
Manual  
for  
Gazebo San Bruno  
3x4m

**3 x 4 M**

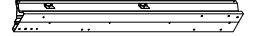




A 4x



B 2x



B1 2x



B2 2x



B3 2x



C 2x



C1 2x



C2 2x



C3 2x



E 4x



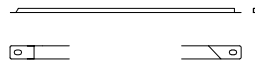
E1 6x



F 2x



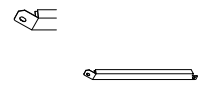
F1 4x



F2 4x



G 2x



G1 4x



G2 4x



G3 2x



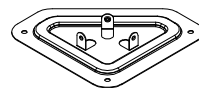
G4 2x



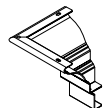
H 4x



H1 4x



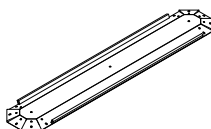
J 4x



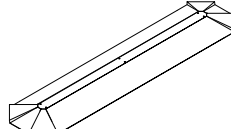
K 4x



K1 4x




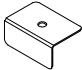
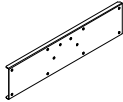
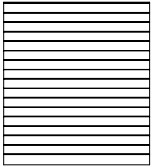
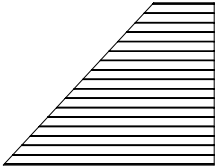
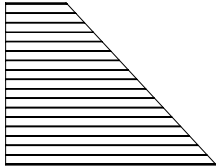
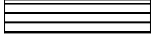


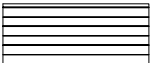


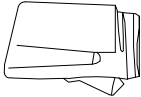
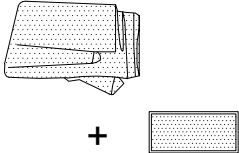

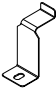


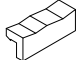









L 1x



M 1x



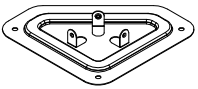
N 8x

			
N1 6x	N2 6x	P 4x	Q 2x
			
Q1 4x	Q2 4x	R 2x	R1 4x
			
R2 4x	S 2x	S1 4x	S2 4x
			
T 4x	T1 4x + 1x	U 112x	V 4x
			
W 18x	W1 2x	Y 20x	Za 12x
			
M6x15 1 203x	2 8x	M5x12 3 4x	ST4.8x12 4 30x
			
5 2x	M5x6 6 18x	ST4x12 7 4x	S4 1x

<1>



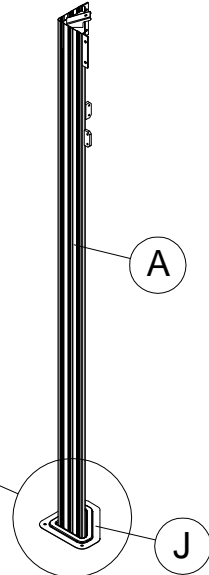
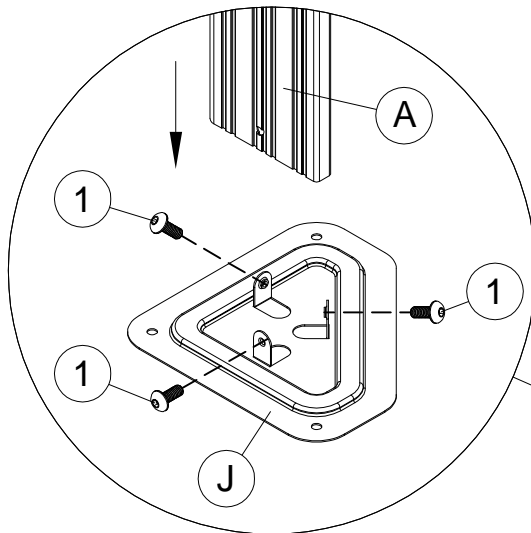
A 4x

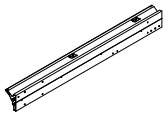


J 4x

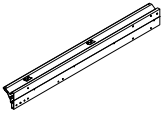


1 12x M6x15

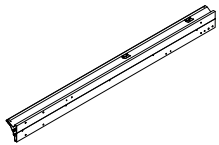




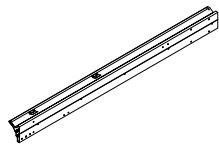
B 2x



B1 2x



B2 2x



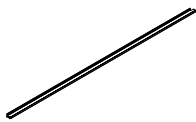
B3 2x



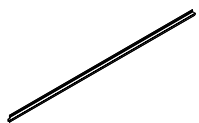
C 2x



C1 2x



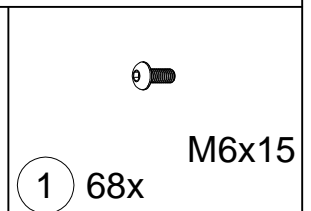
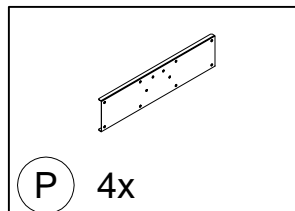
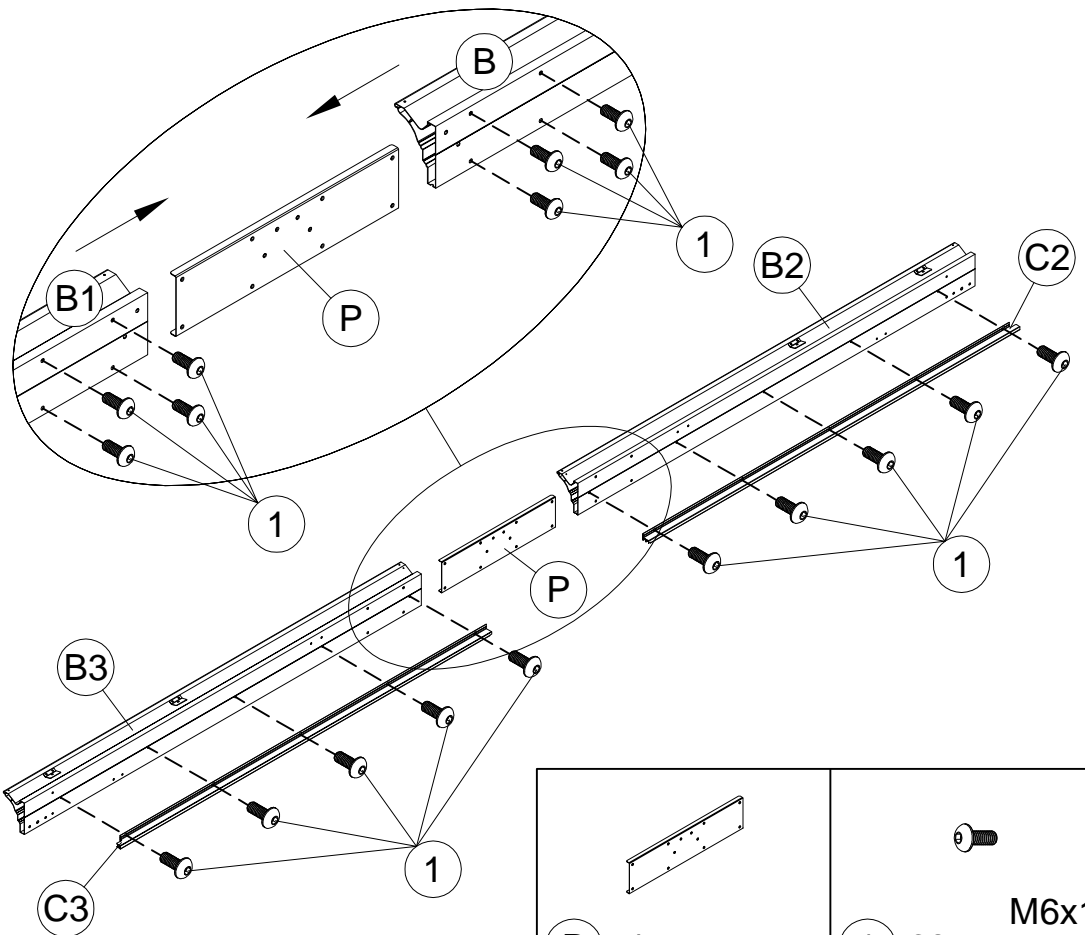
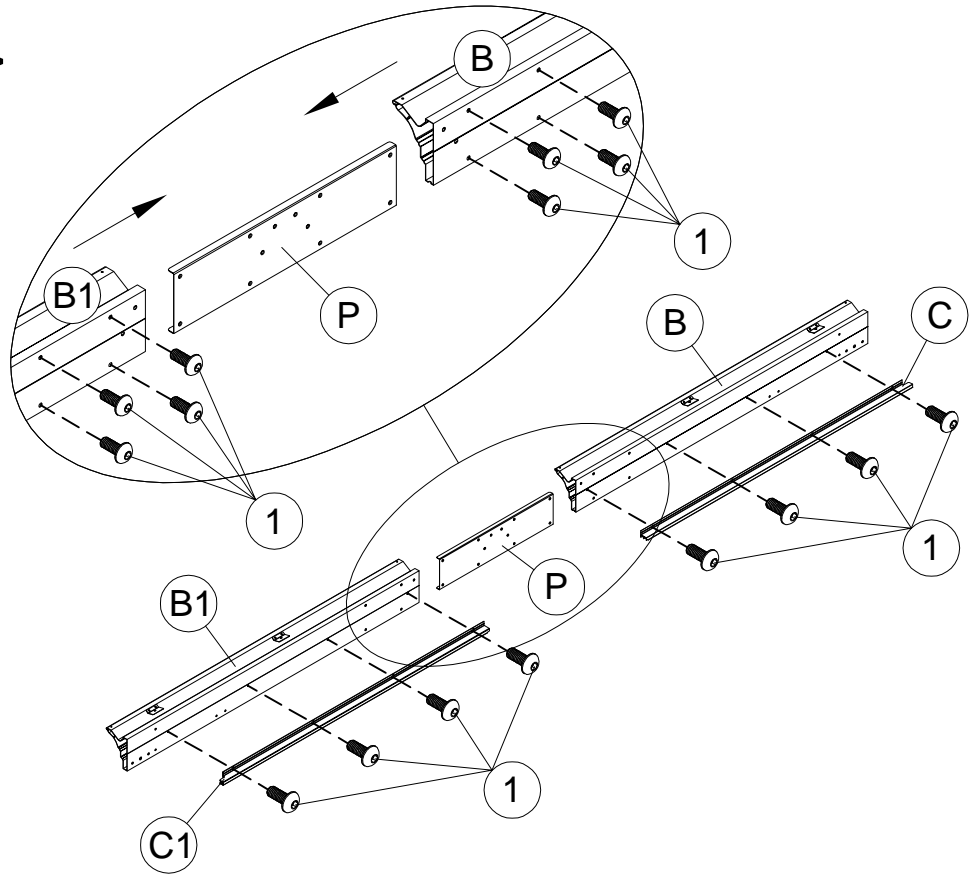
C2 2x



C3 2x

5

<2>





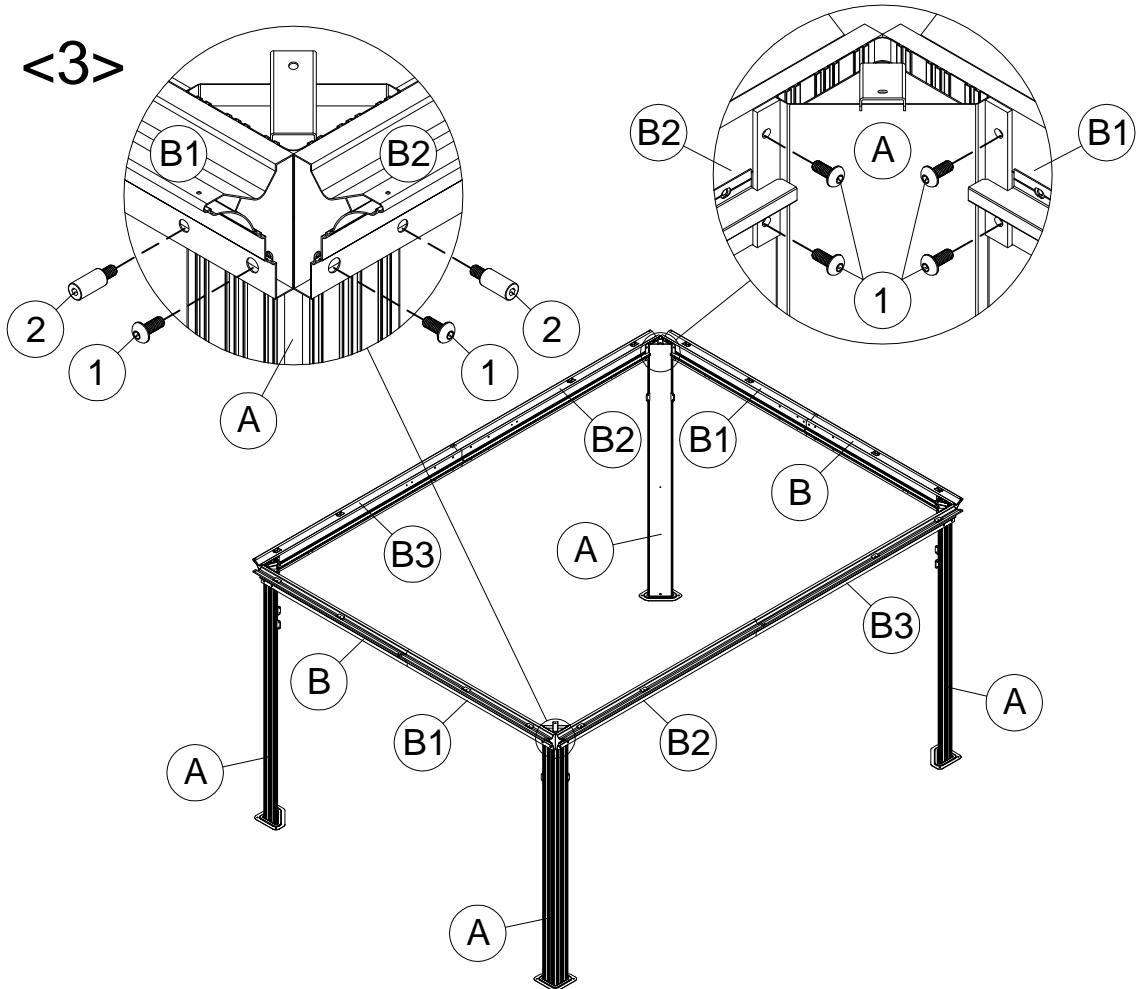
M6x15

1 24x



2 8x

<3>



H 4x



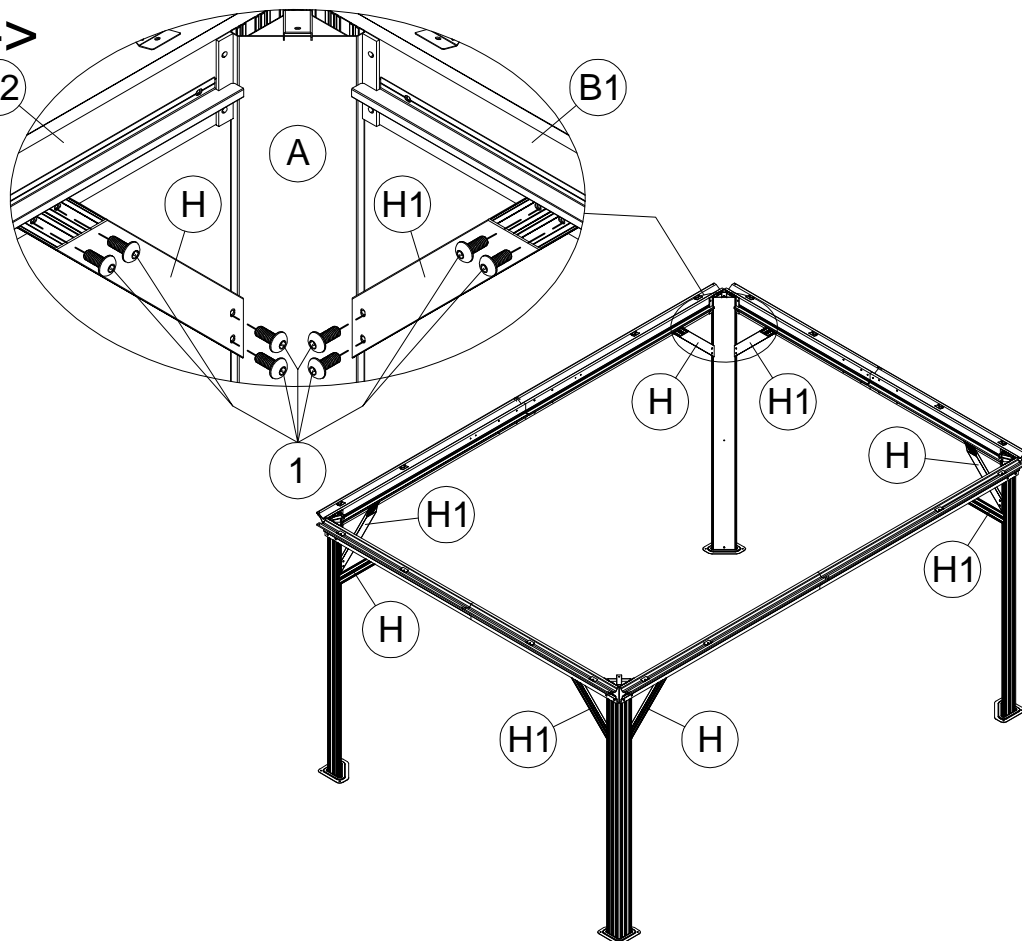
H1 4x



M6x15

1 32x

<4>

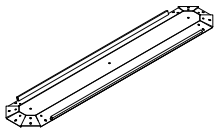


6



<5>

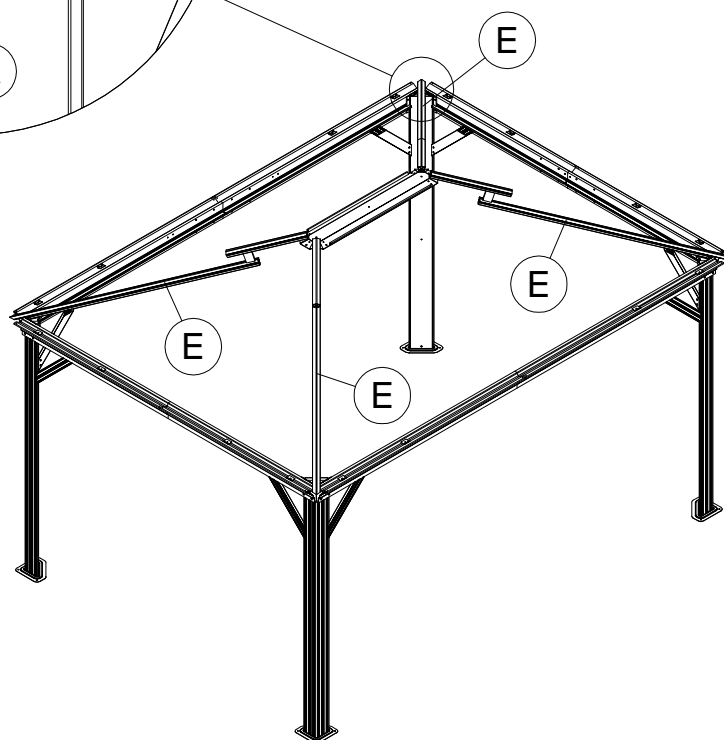
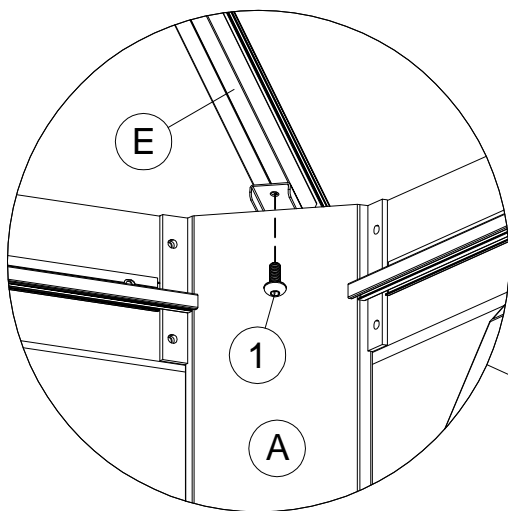
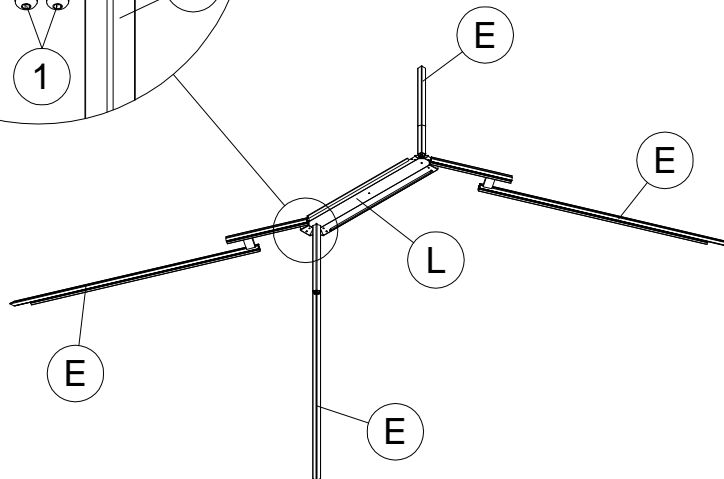
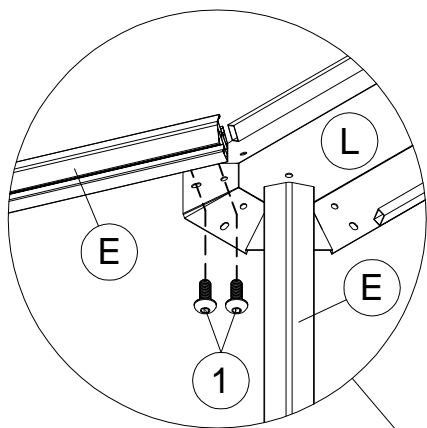
E 4x



L 1x

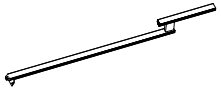


1 12x M6x15



7



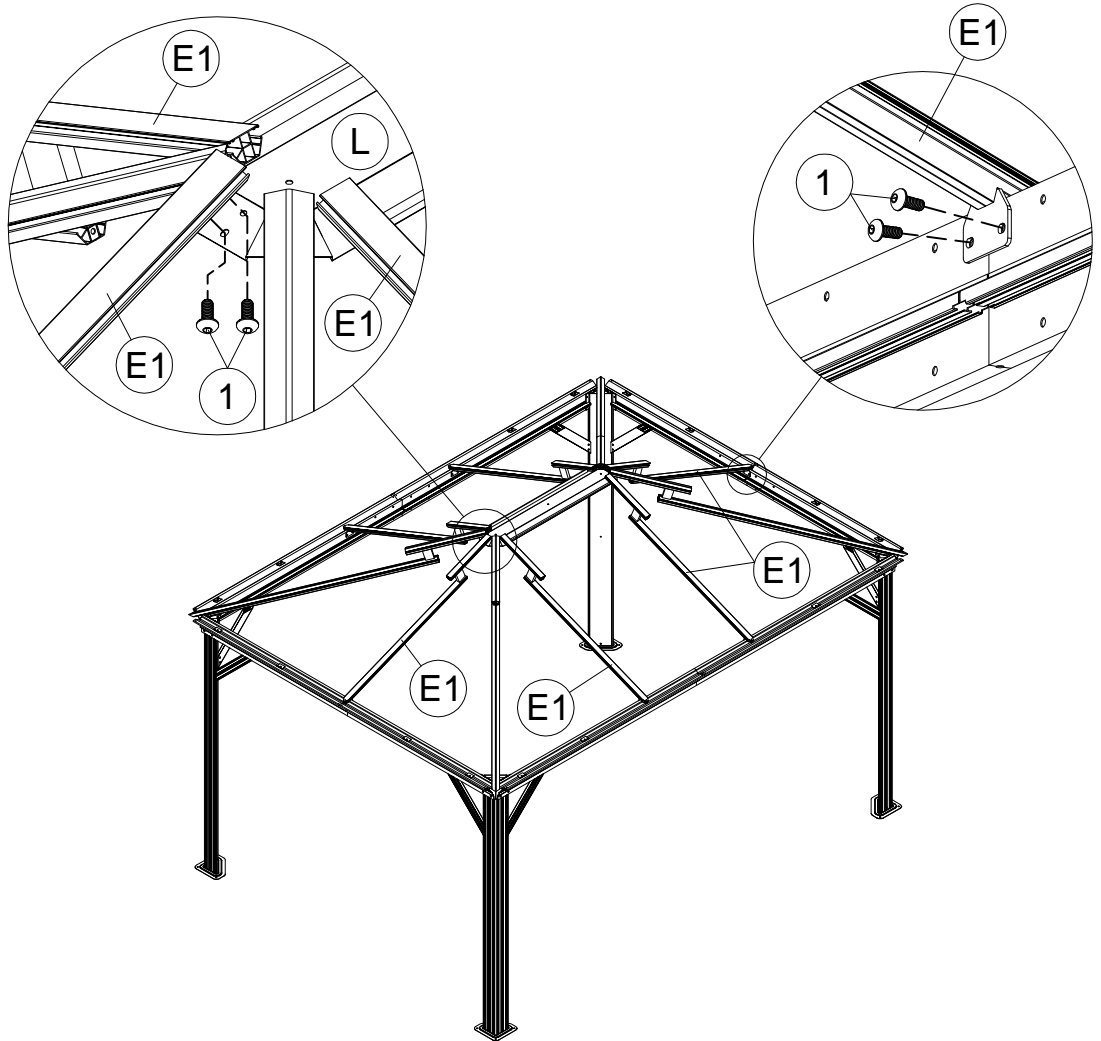


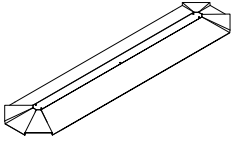
<6>

E1 6x



M6x15  
1 24x





<7>

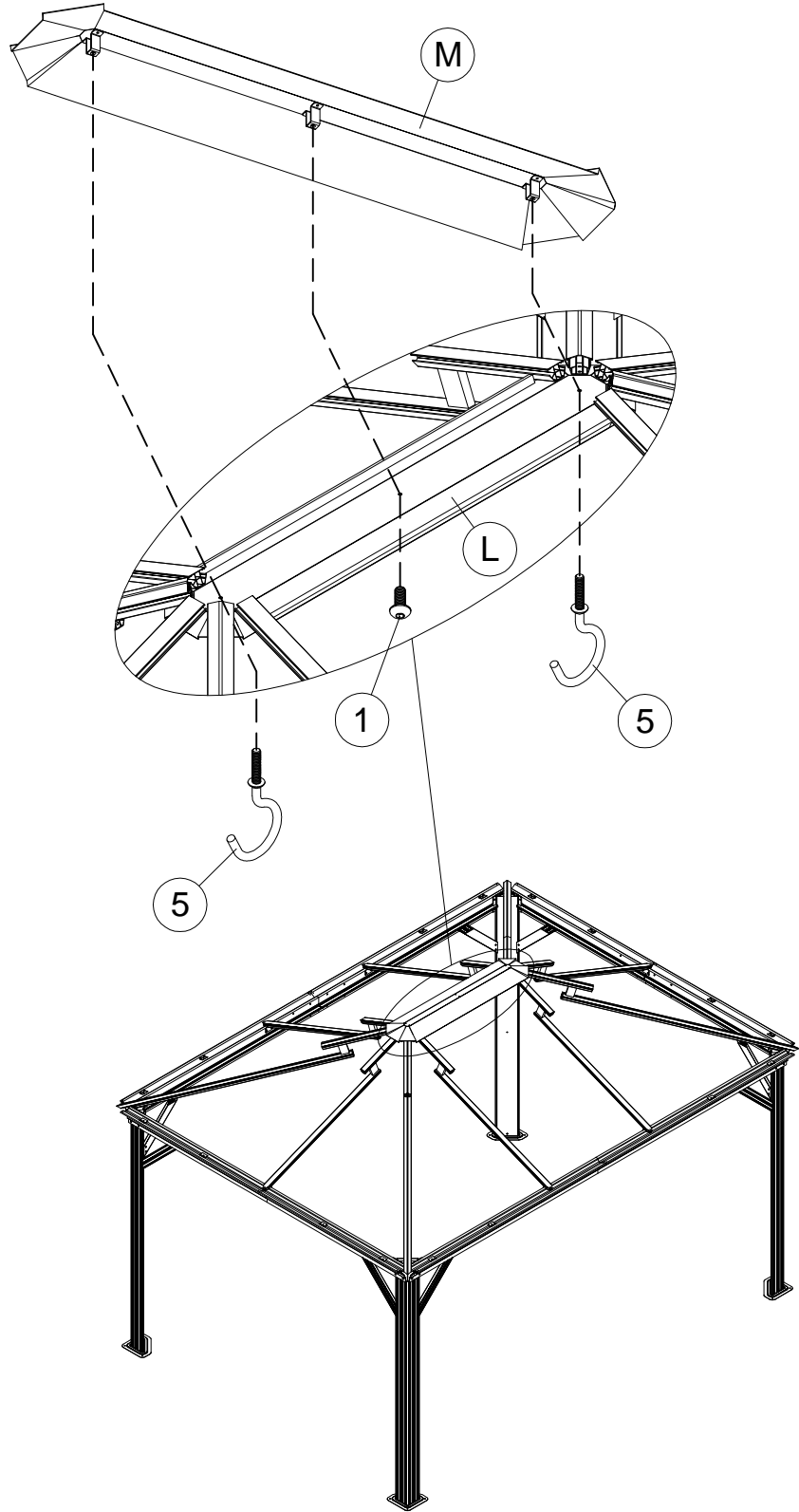
M 1x

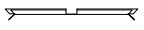


1 1x M6x15



5 2x





<8>

G3 2x

G4 2x

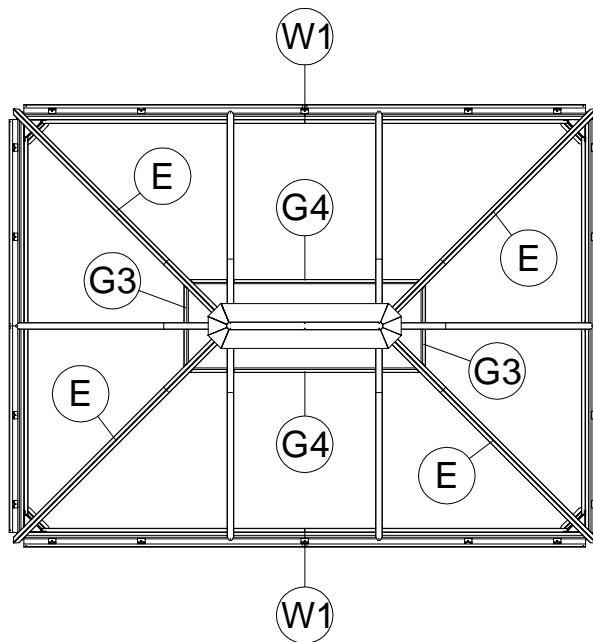
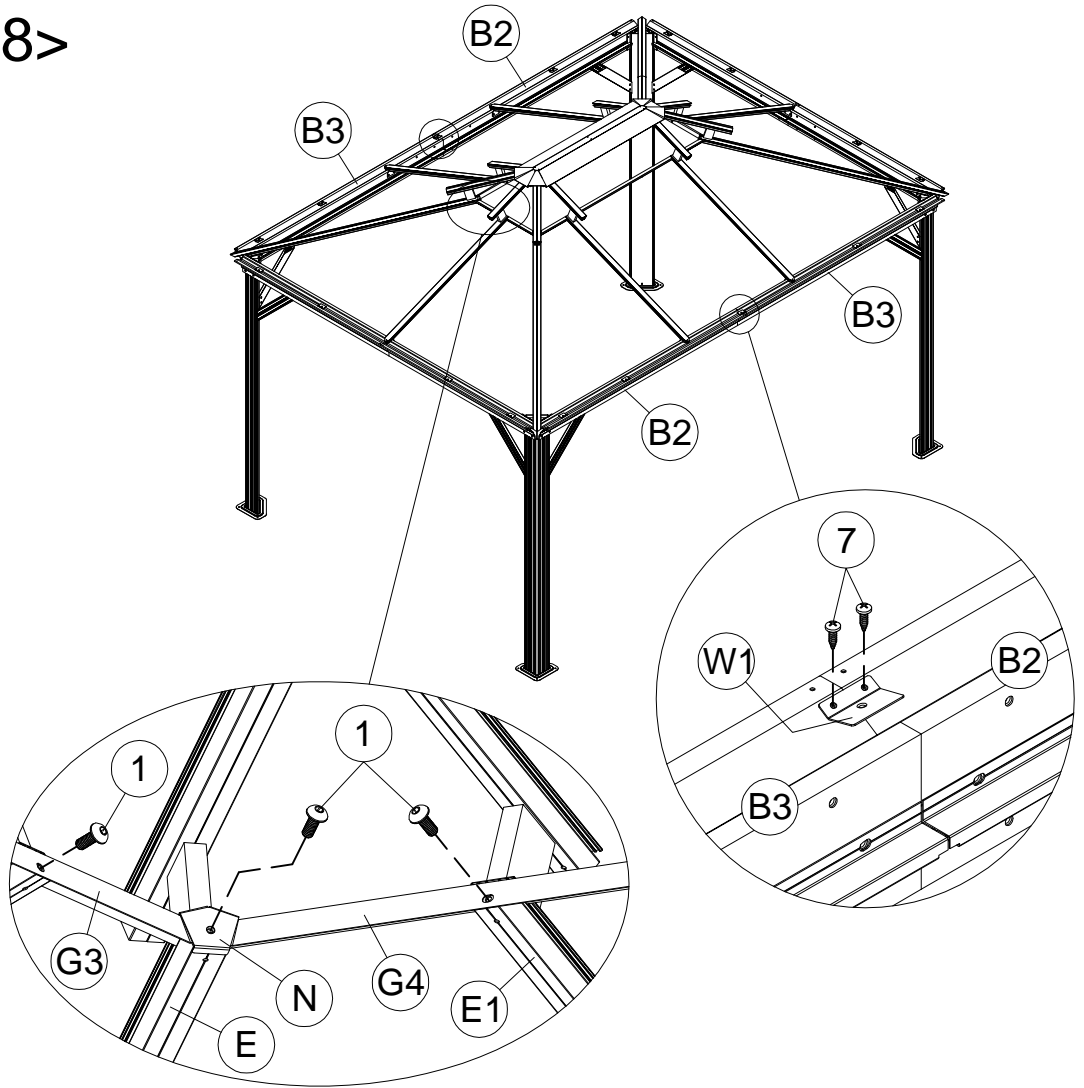
N 4x

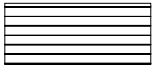
1 10x M6x15

W1 2x

7 4x ST4x12

10





(S) 2x

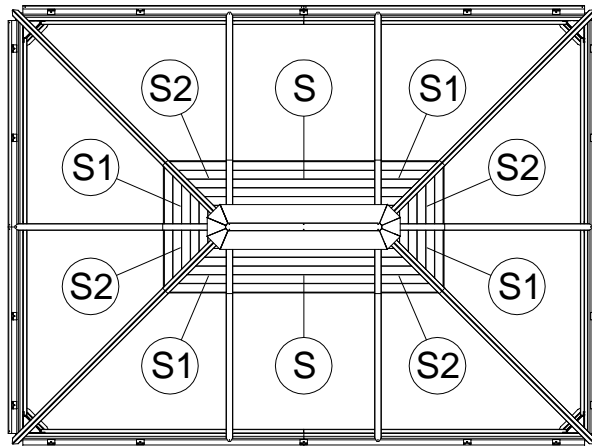
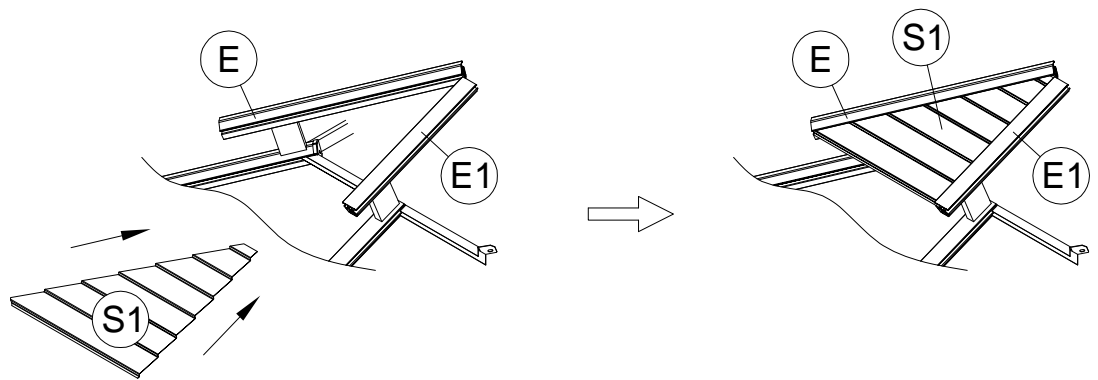
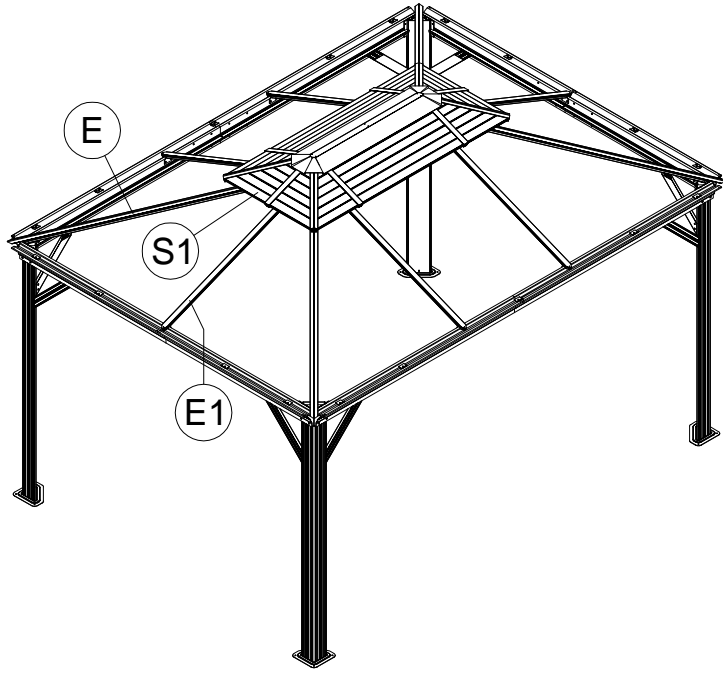


(S1) 4x



(S2) 4x

<9>

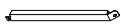


<10>

G 2x



G1 4x



G2 4x



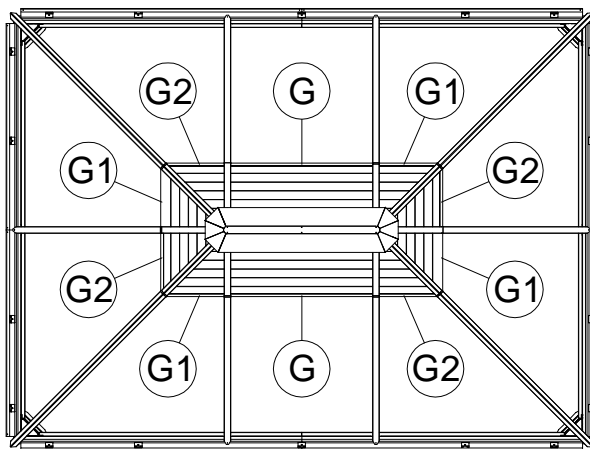
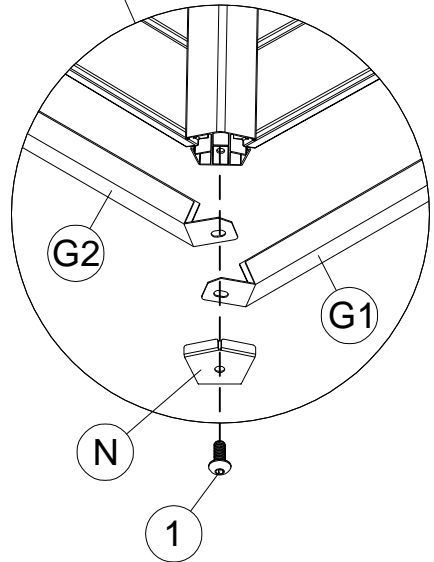
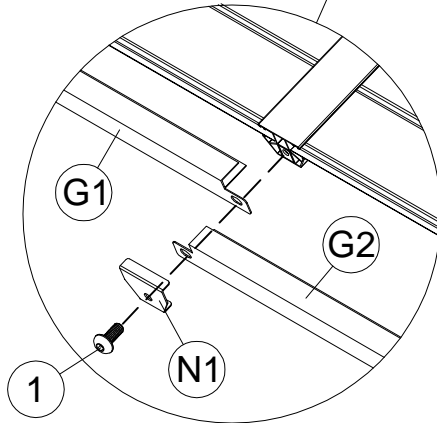
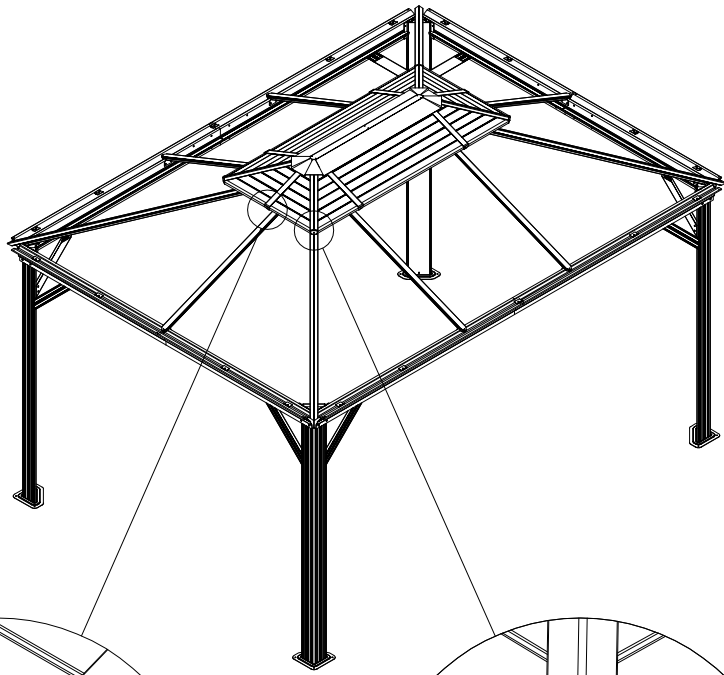
N 4x



N1 6x



1 10x M6x15



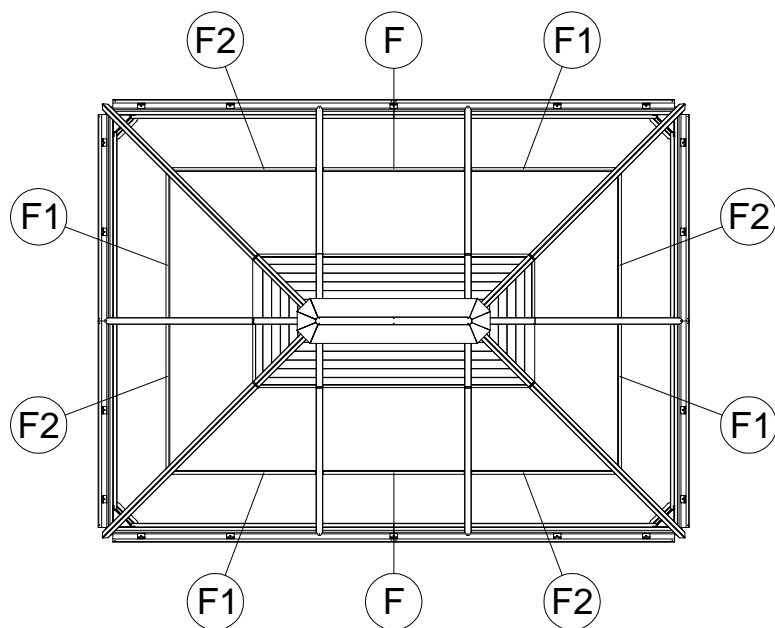
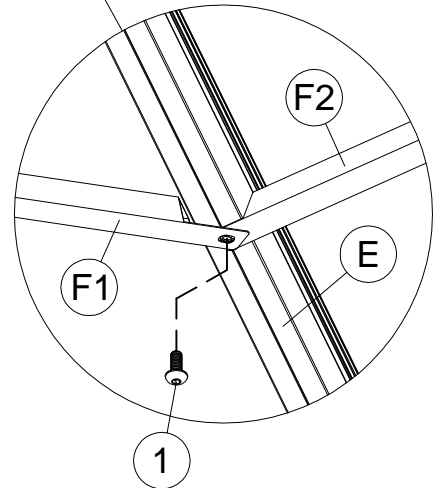
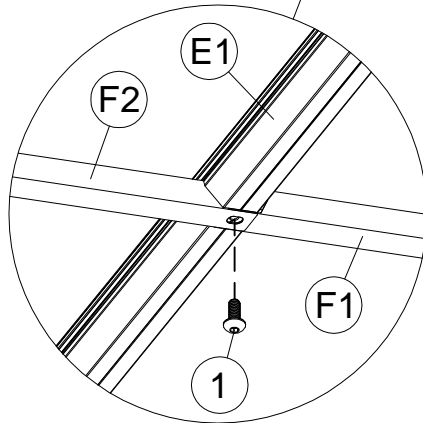
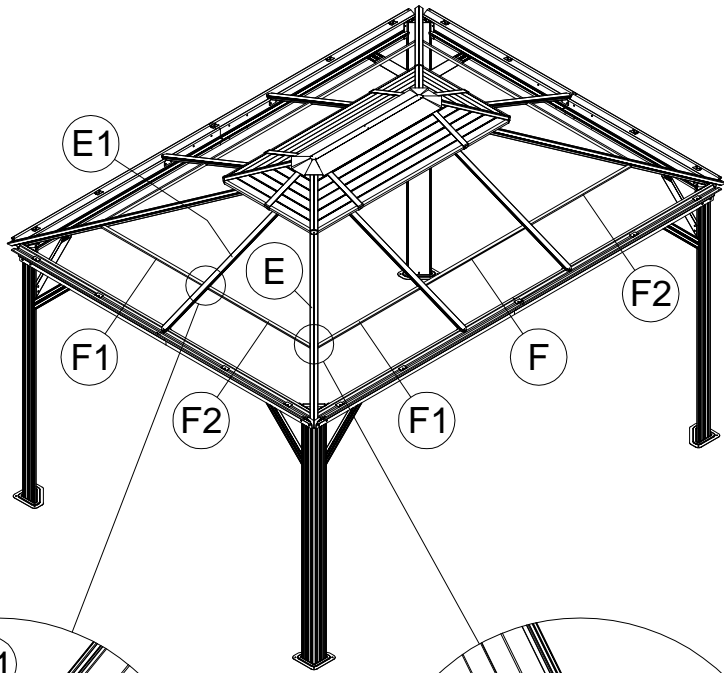
<11>

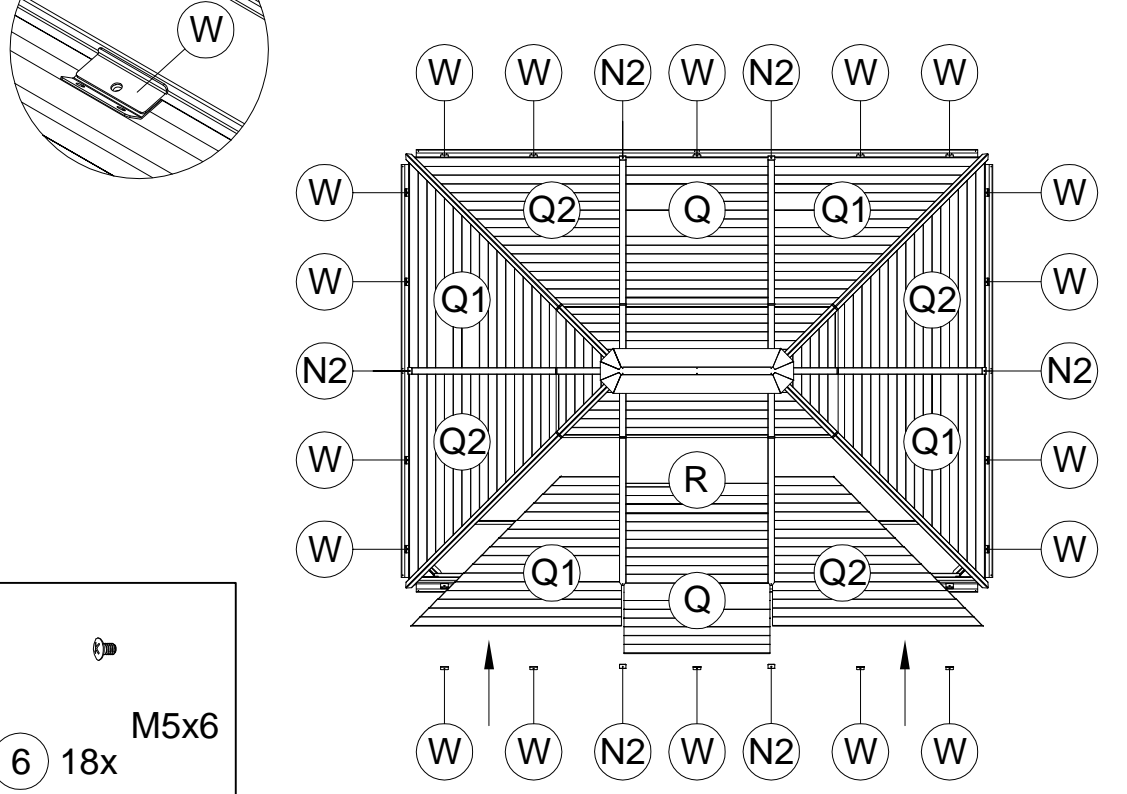
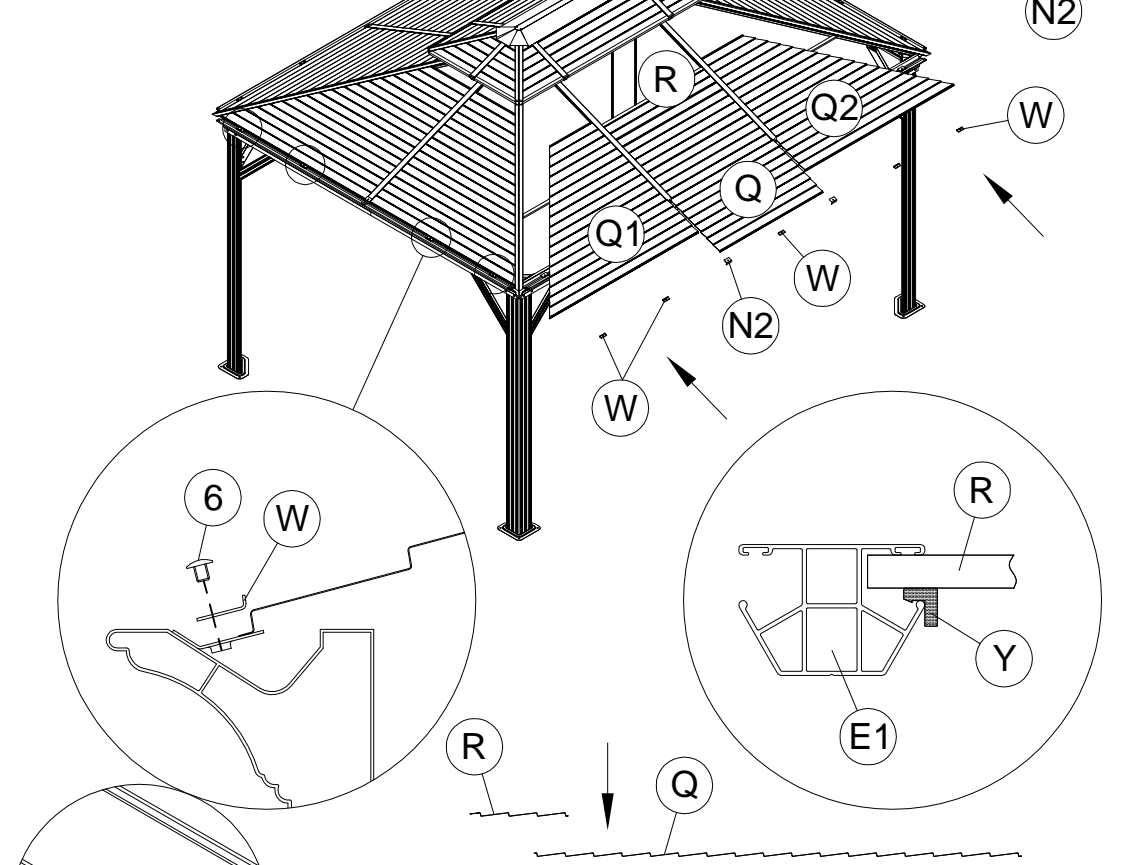
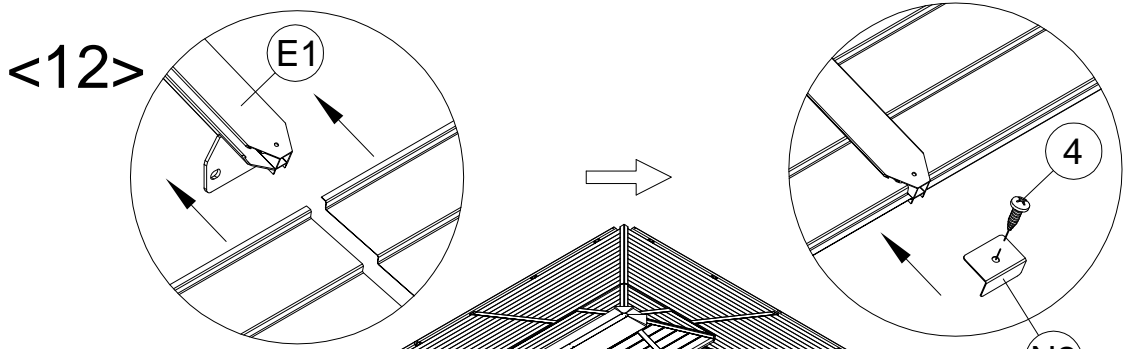
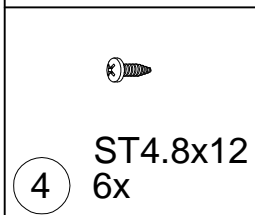
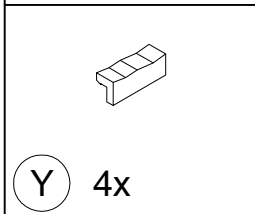
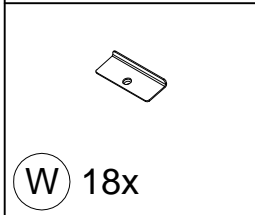
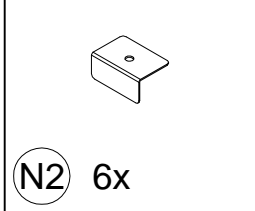
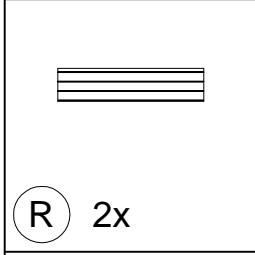
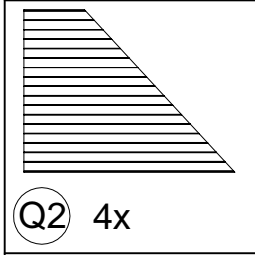
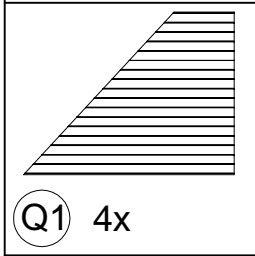
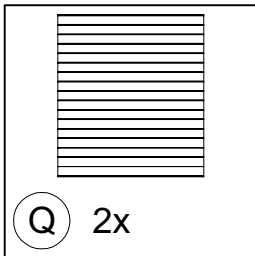
F 2x

F1 4x

F2 4x

1 10x M6x15







<13>

R1 4x



R2 4x



Y 16x

<a>

R1

<b>

R2

R1

R2

R1 or R2 or R

Q1 or Q2 or Q

R1 or R2 or R

E or E1

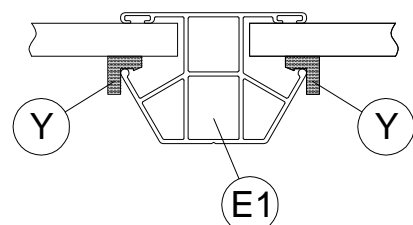
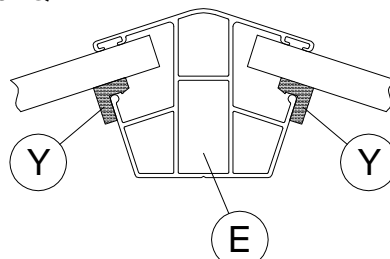
Y

Q1 or Q2 or Q

Y

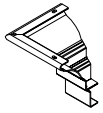
Note:

1. Y is stuck in the position of the edges where the small piece (R1 or R2 or R) and the large piece (Q1 or Q2 or Q) overlap.
2. R1 or R2 or R must pile up on the top of Q1 or Q2 or Q.



15





K 4x



K1 4x



U 112x



V 4x

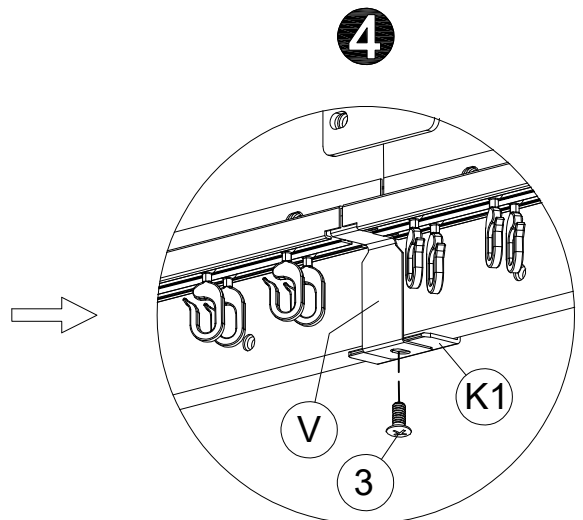
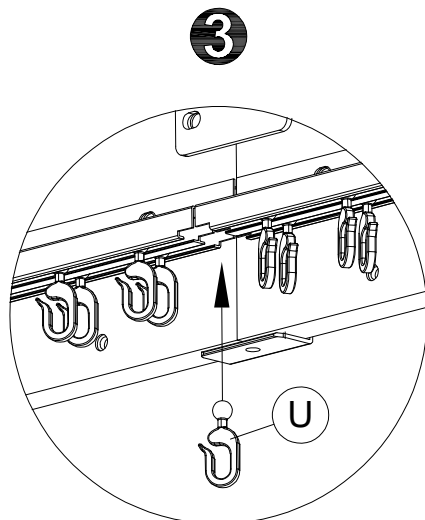
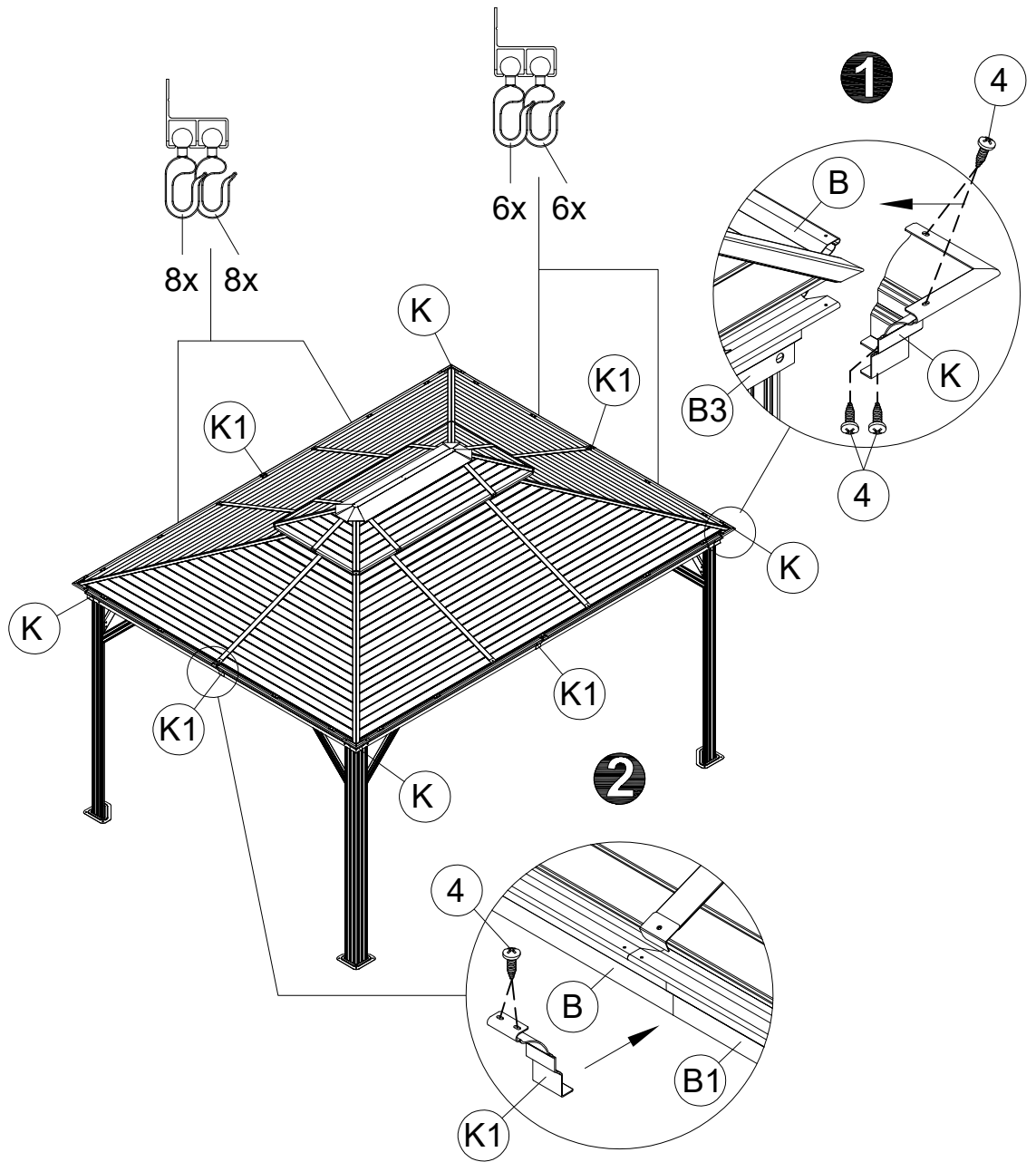


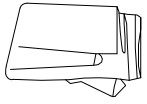
3 4x M5x12



4 24x ST4.8x12

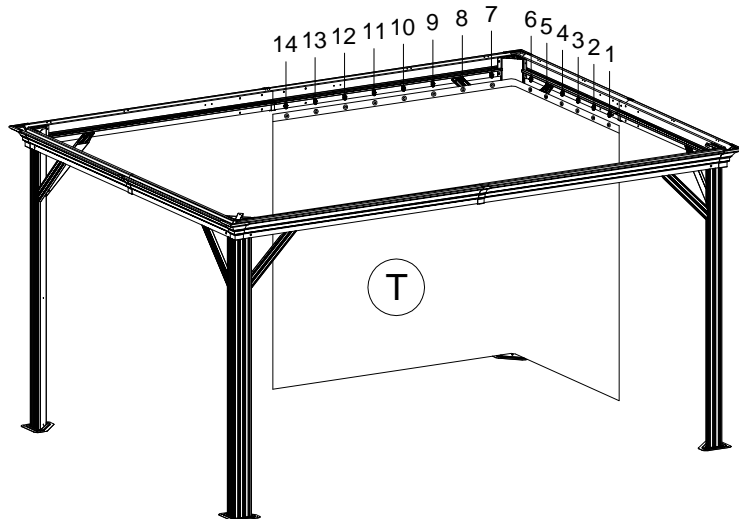
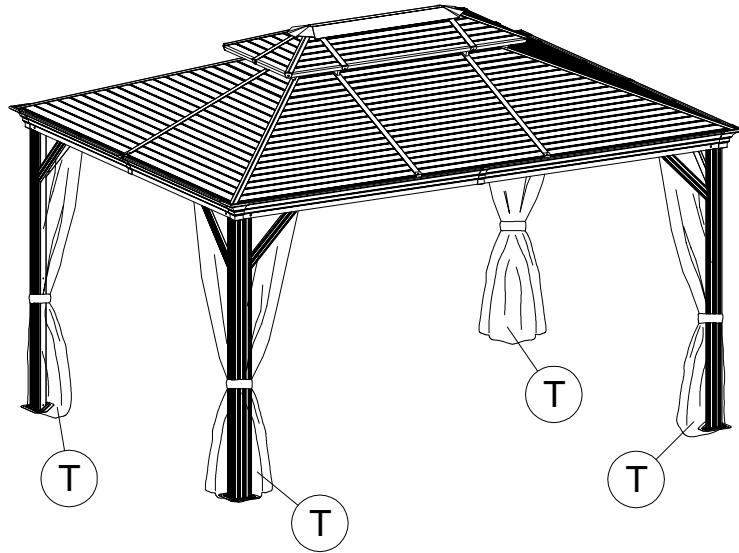
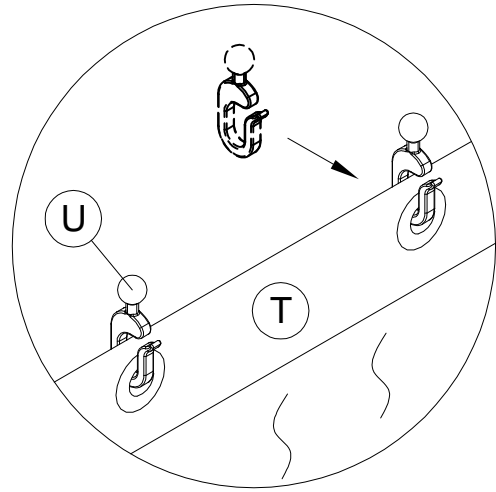
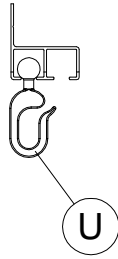
<14>

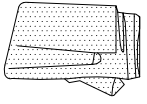




<15>

T 4x



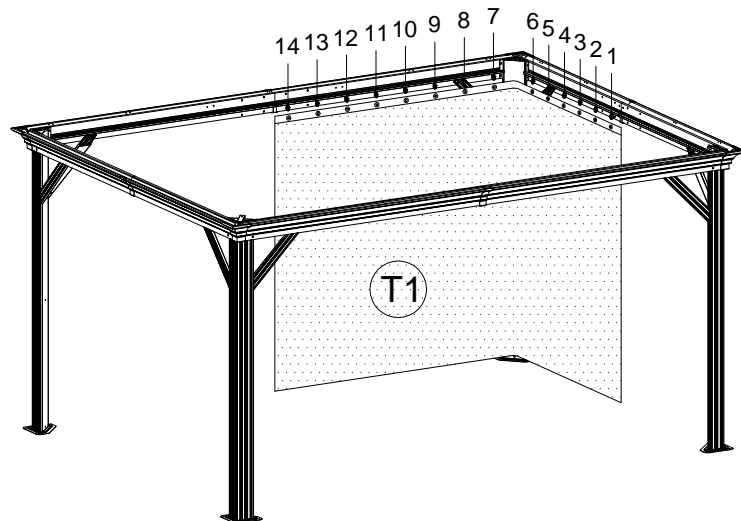
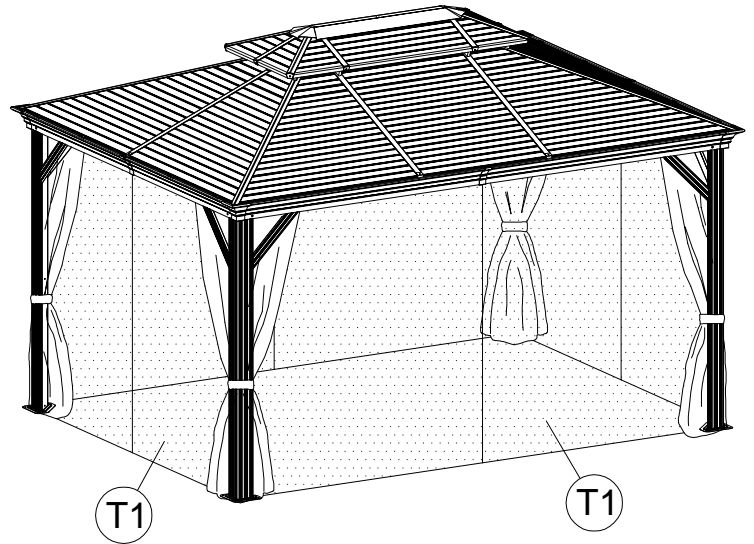
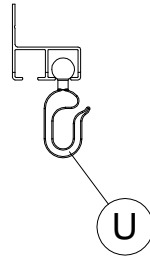
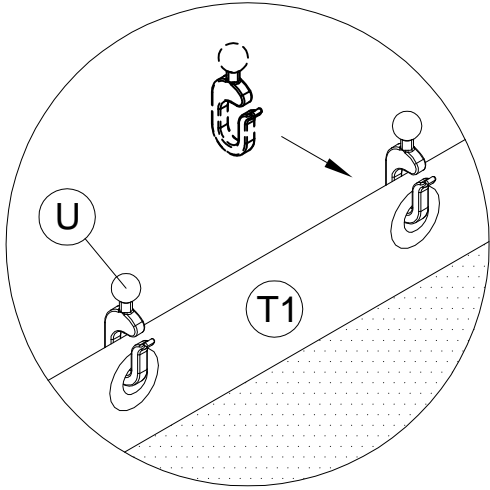
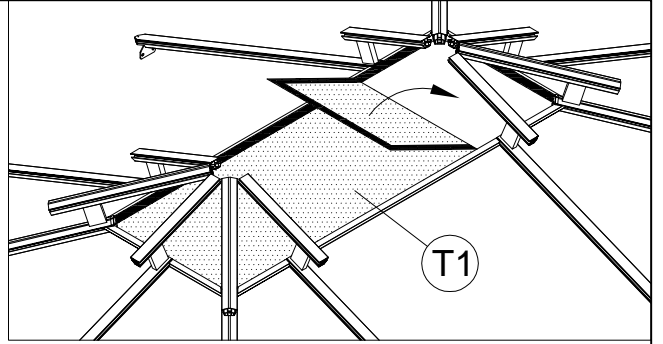


+



T1 4x + 1x

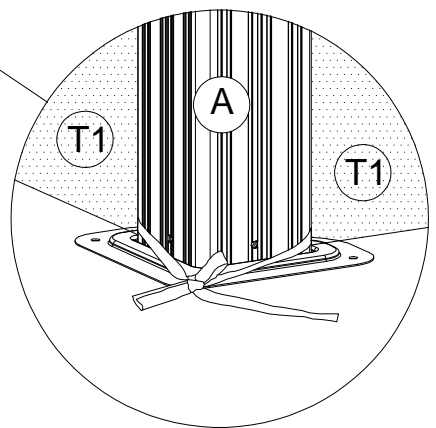
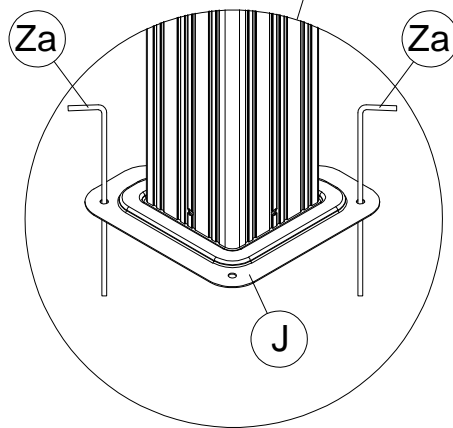
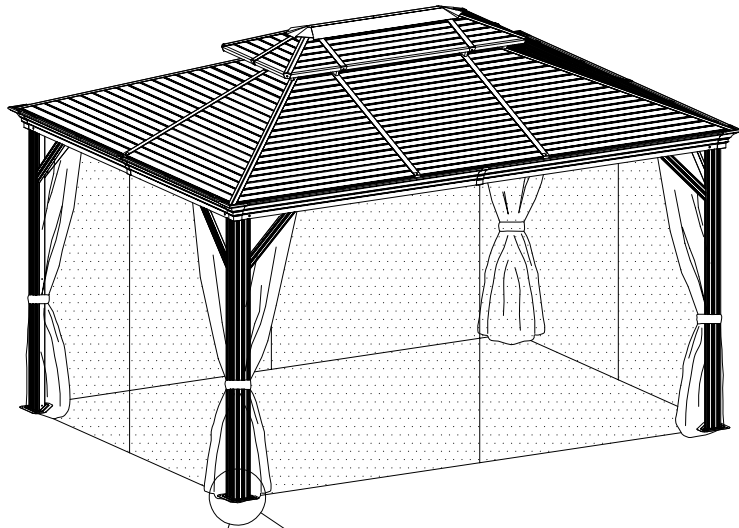
<16>





<17>

Za 12x



## Contact information

Austria



Belgium



Croatia



Denmark



Estonia



Finland



France



Germany



Ireland



Italy



Latvia



Lithuania



Nederland



Norway



Poland



Portugal



Spain



Sweden



Switzerland



UK

