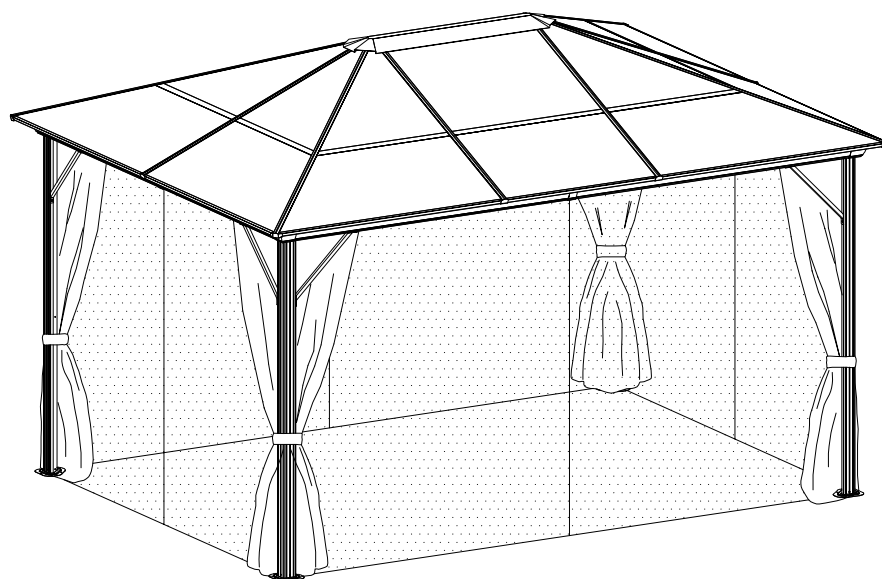


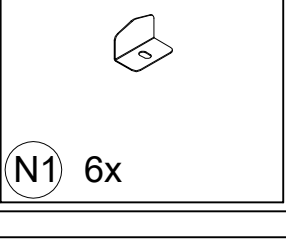
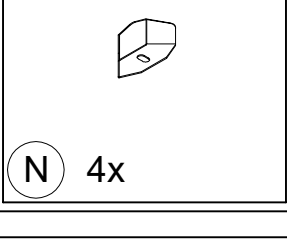
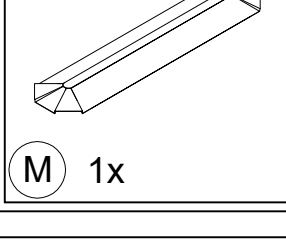
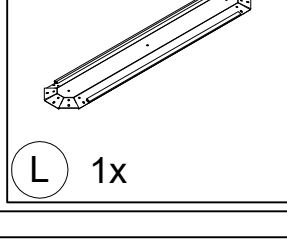
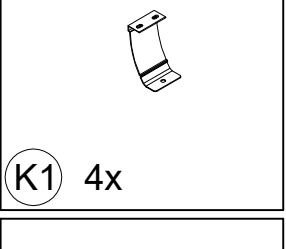
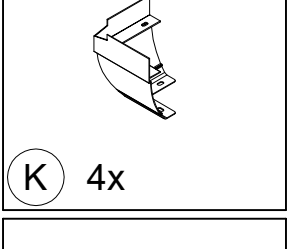
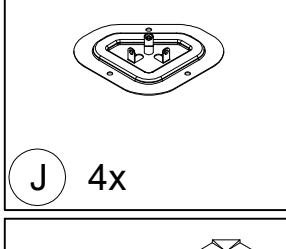
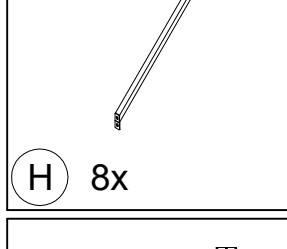
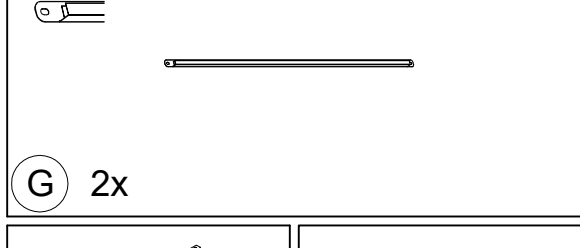
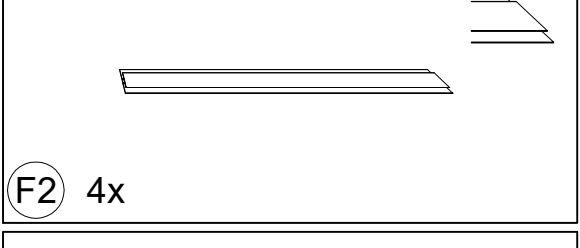
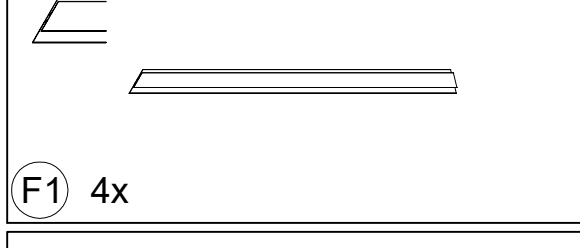
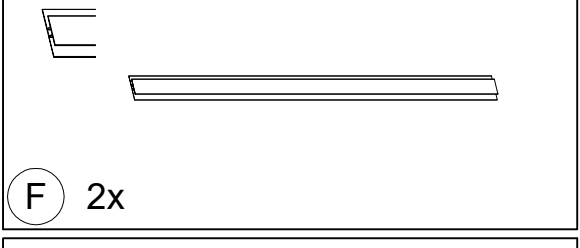
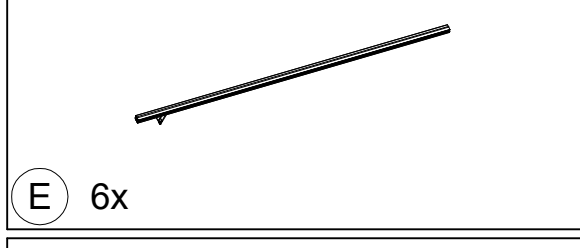
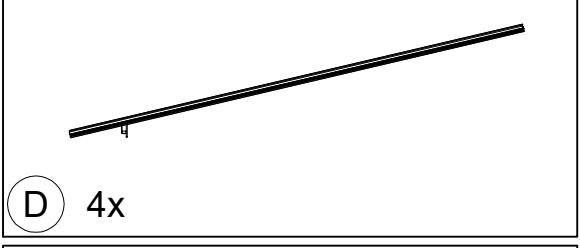
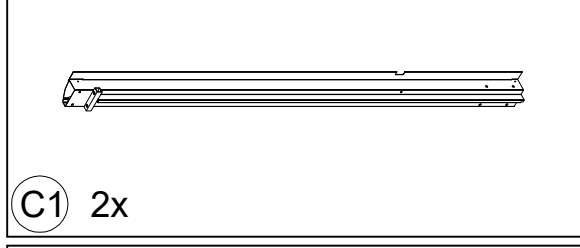
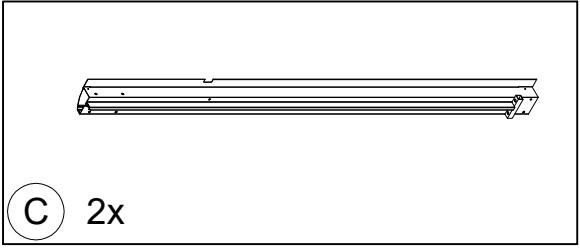
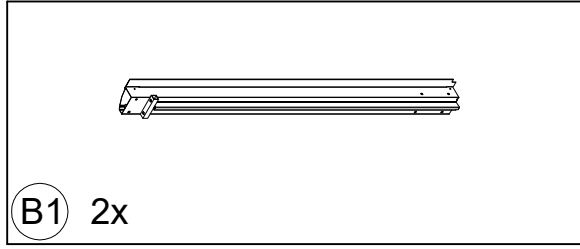
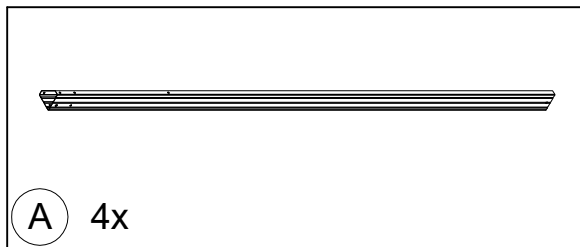
DANCOVER[®]

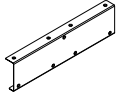
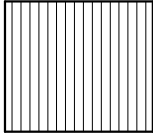
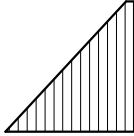
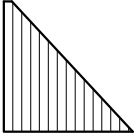
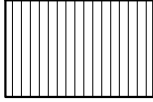
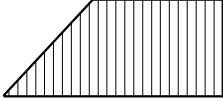
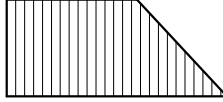
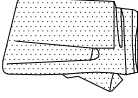
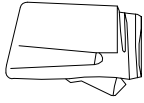

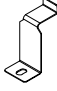







.com

Manual
for
Gazebo Santa Barbara 3x4m
Brown

3 x 4 M



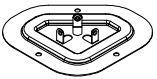


			
(P) 4x	(Q) 2x	(Q1) 4x	(Q2) 4x
			
(R) 2x	(R1) 4x	(R2) 4x	(S) 4x
			
(T) 4x	(U) 112x	(V) 4x	S4 1x
			
M6x15 (1) 107x	M6x35 (2) 16x	M5x12 (3) 16x	ST4.8x12 (4) 24x
			
(5) 2x	(8) 12x		

<1>



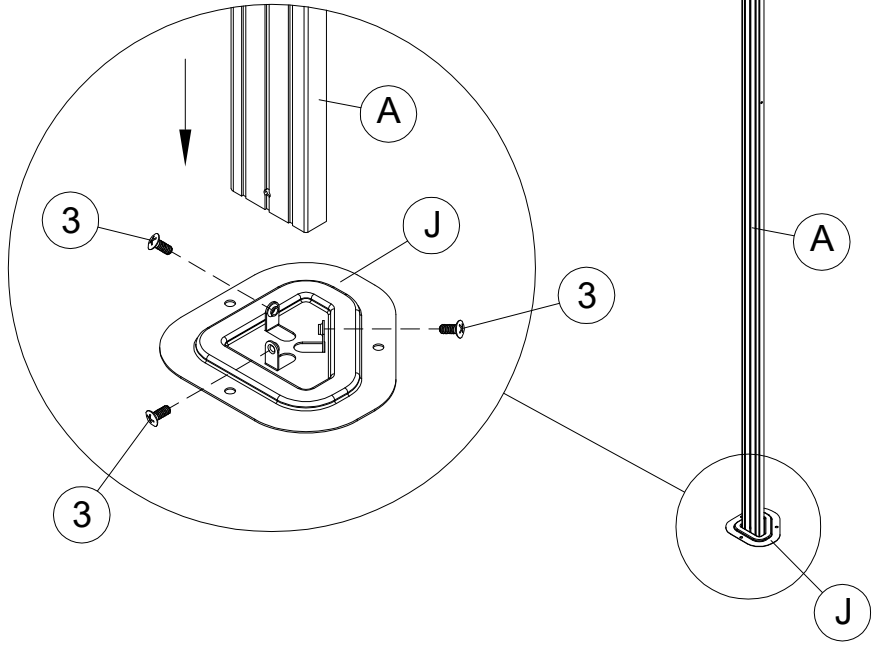
A 4x



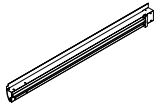
J 4x



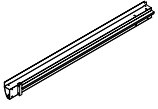
3 12x M5x12



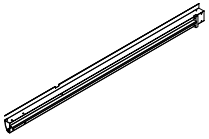
4



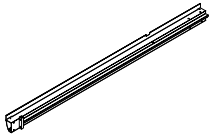
B 2x



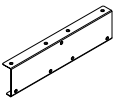
B1 2x



C 2x



C1 2x



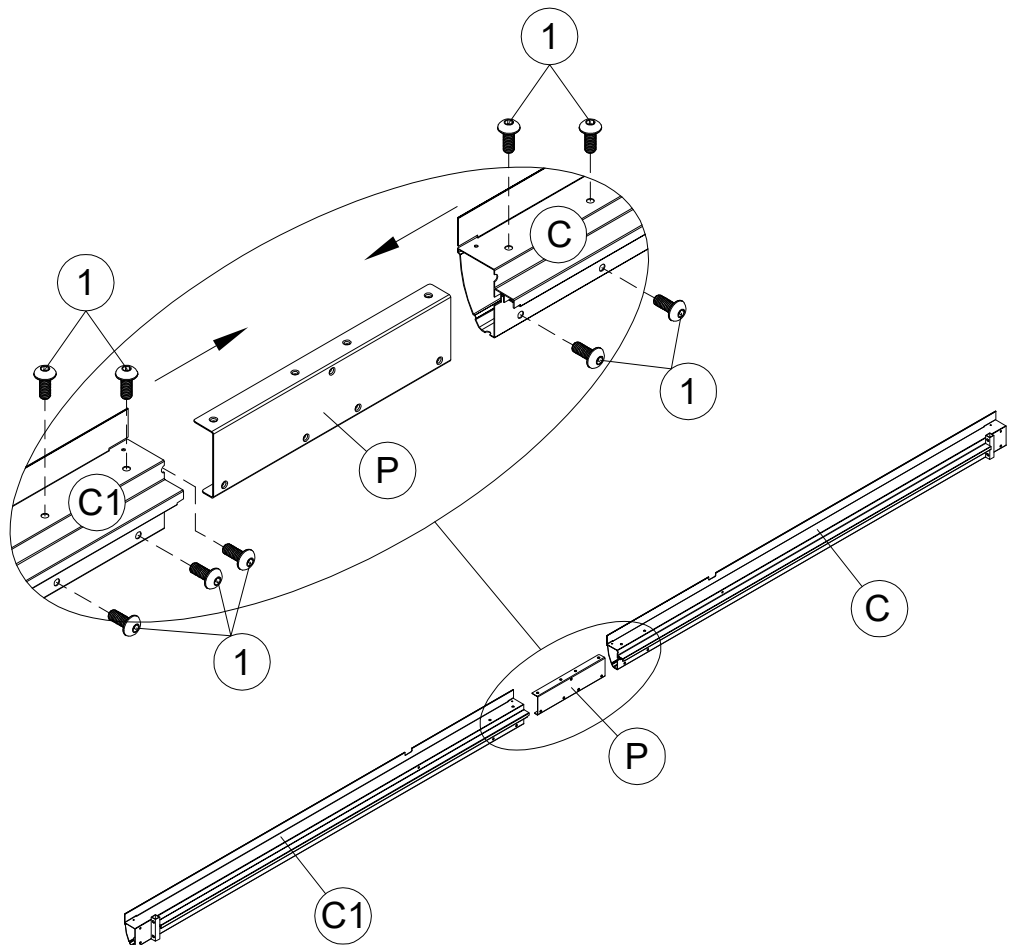
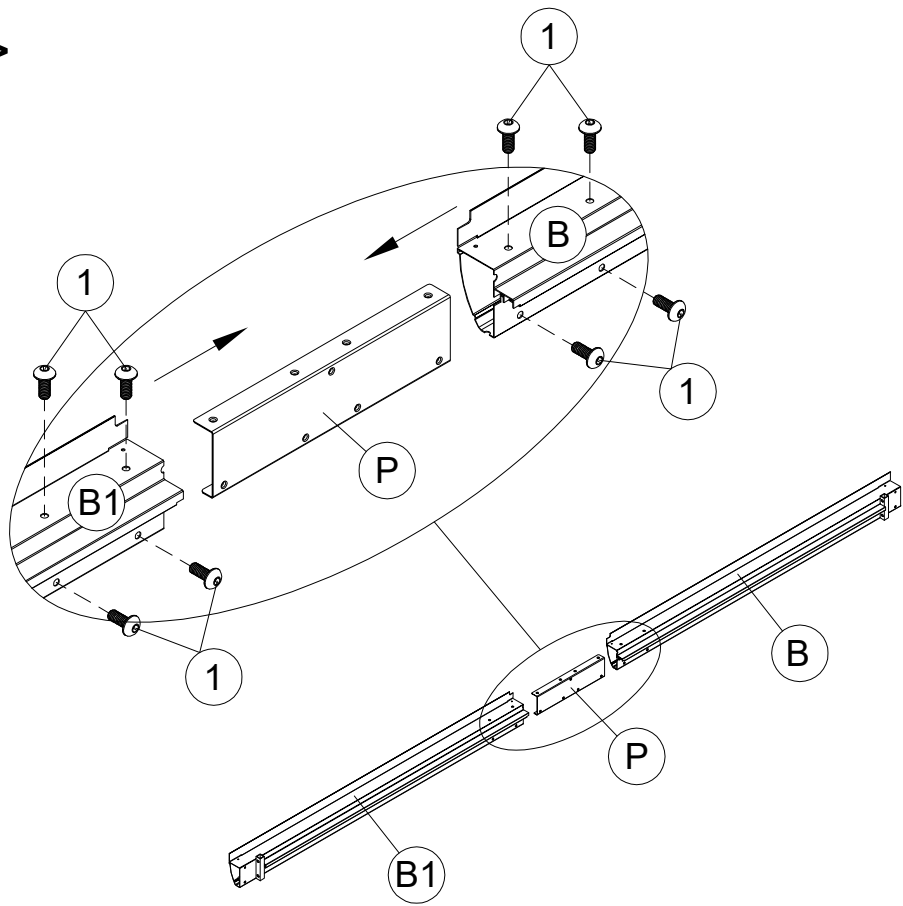
P 4x



1 34x M6x15

5

<2>





1 16x

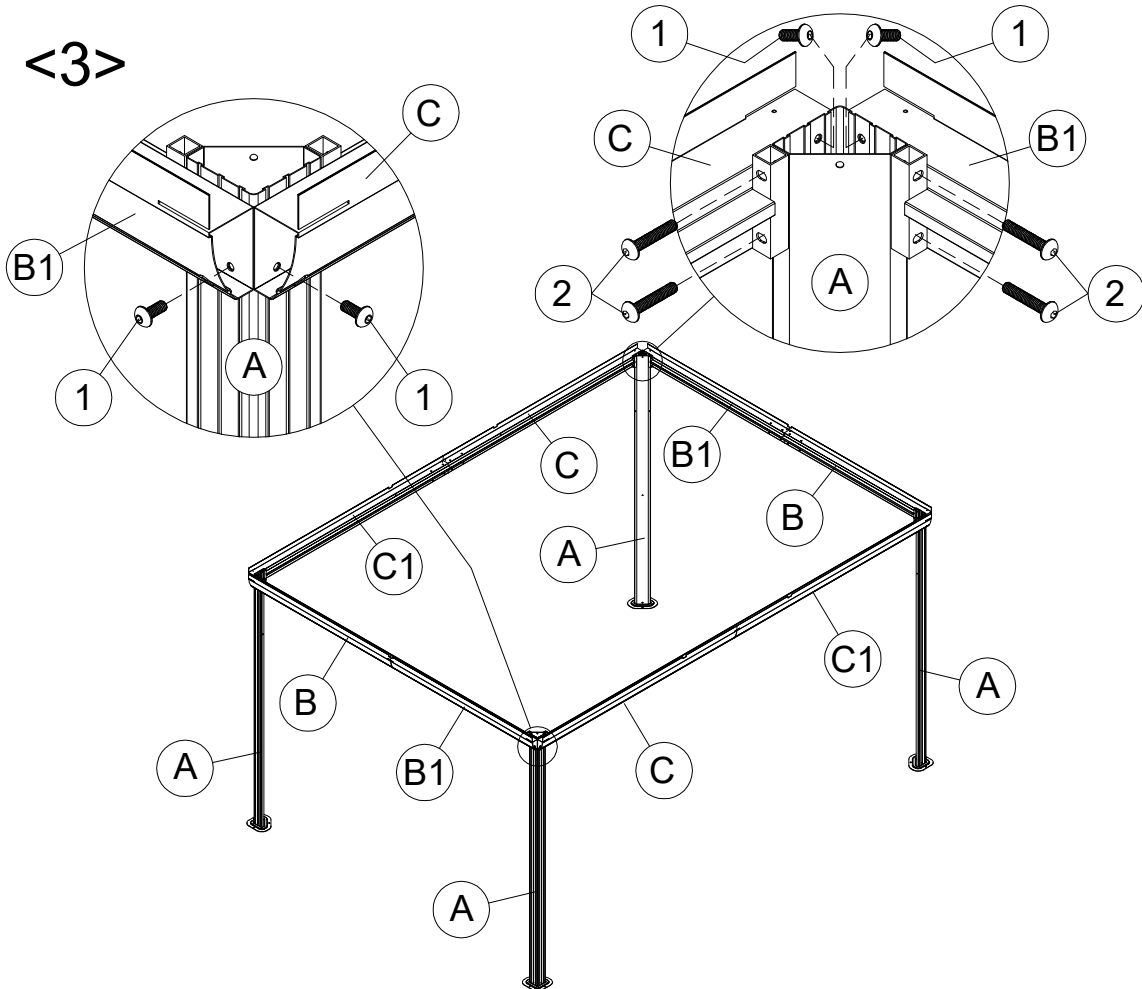
M6x15



2 16x

M6x35

<3>



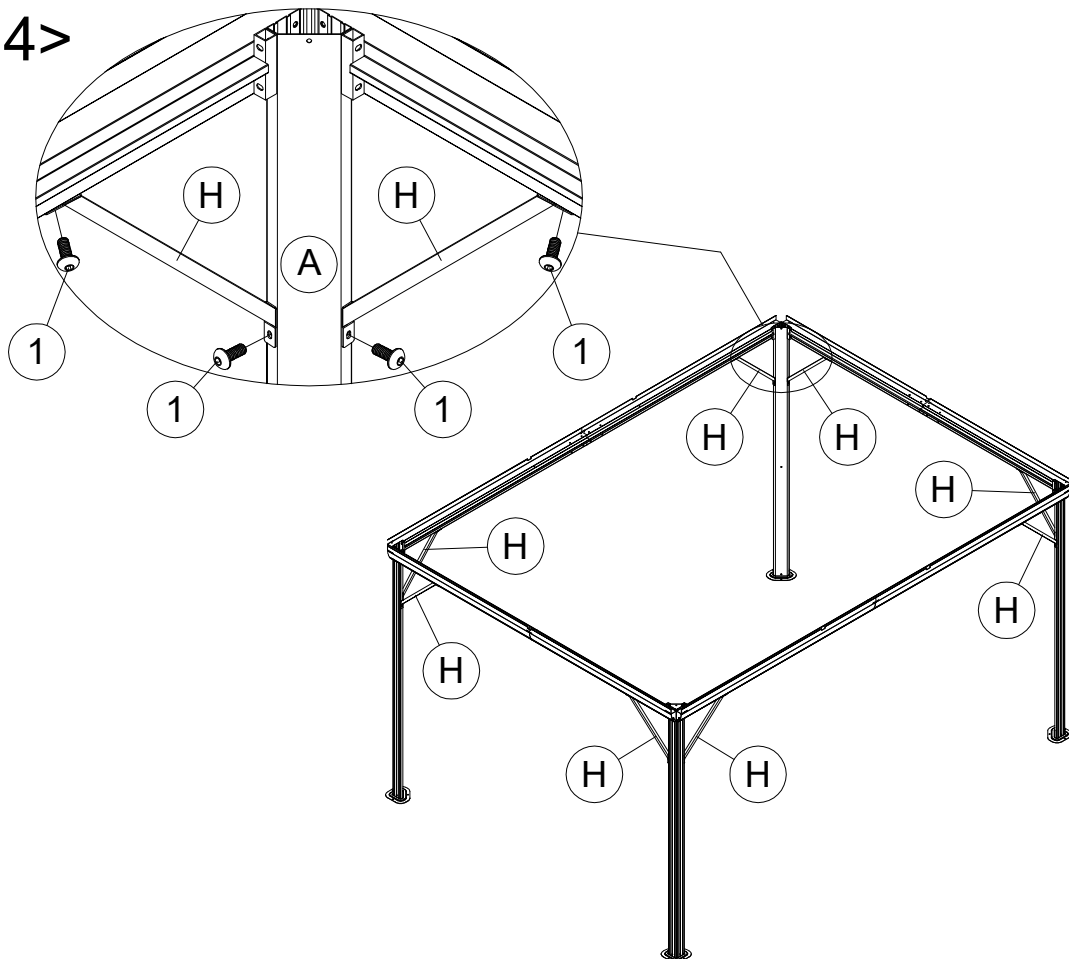
H 8x



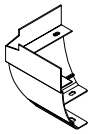
1 16x

M6x15

<4>



6



K 4x



K1 4x



U 112x



V 4x

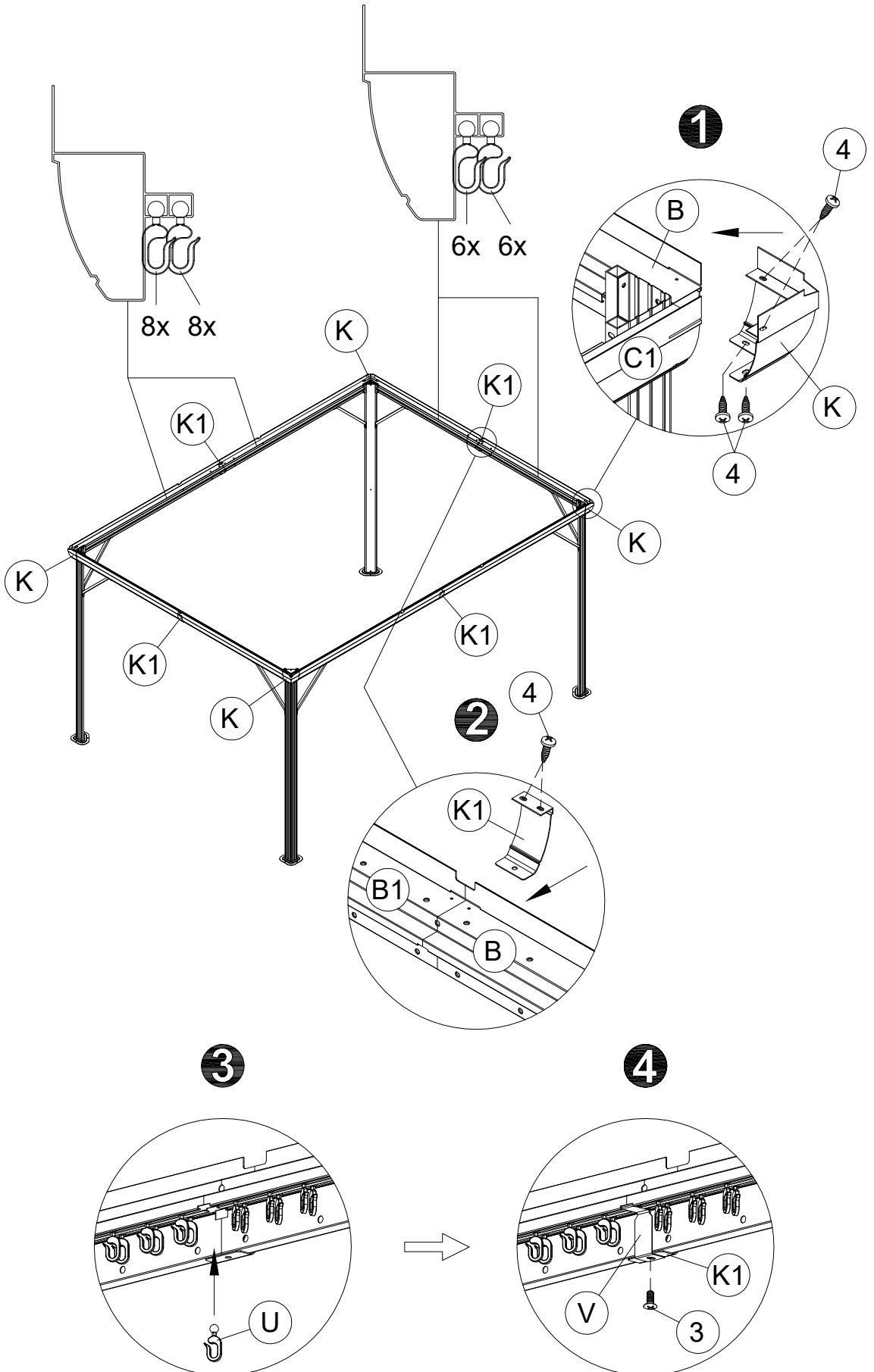


3 4x M5x12



4 24x ST4.8x12

<5>

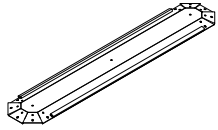


7



<6>

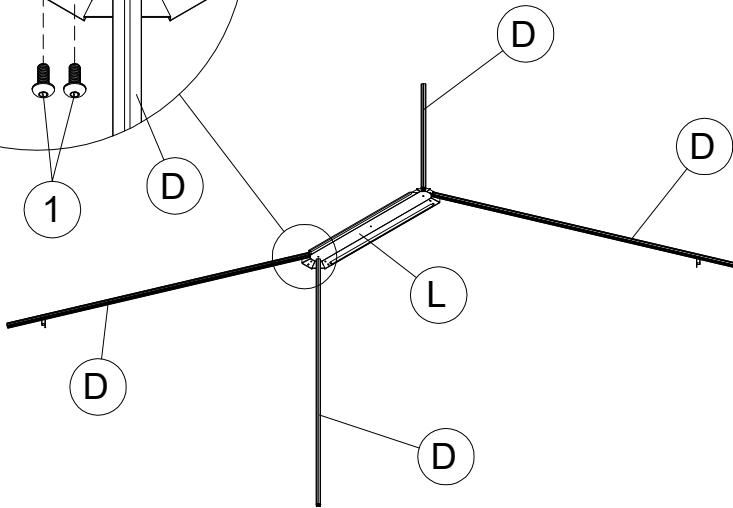
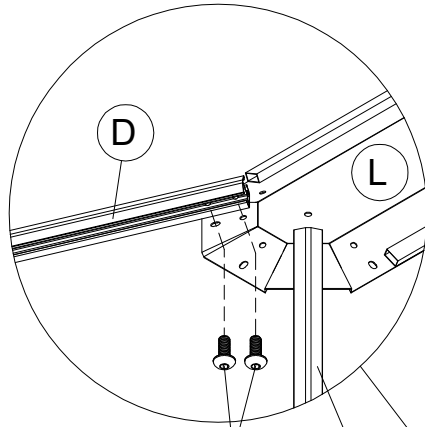
D 4x



L 1x

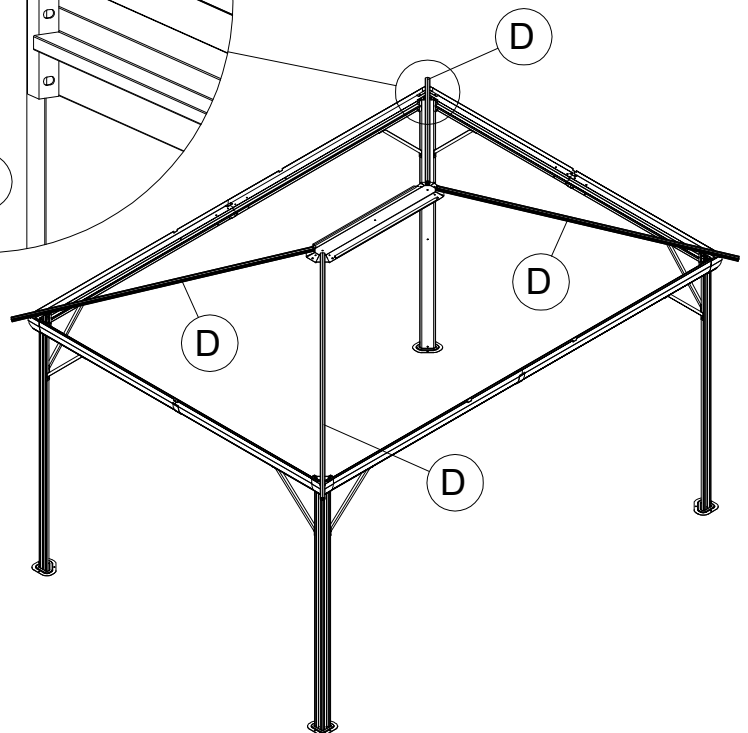
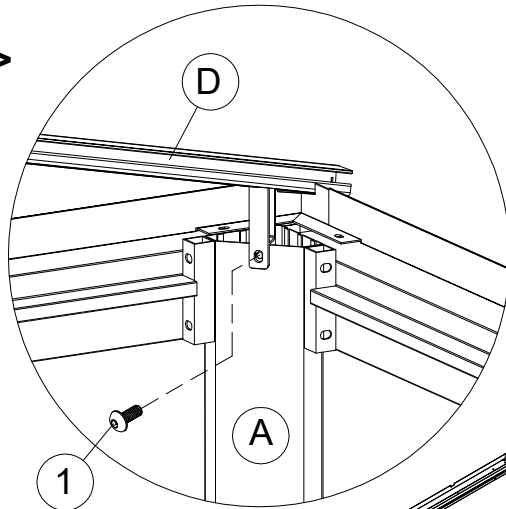


1 8x M6x15



1 4x M6x15

<7>



8

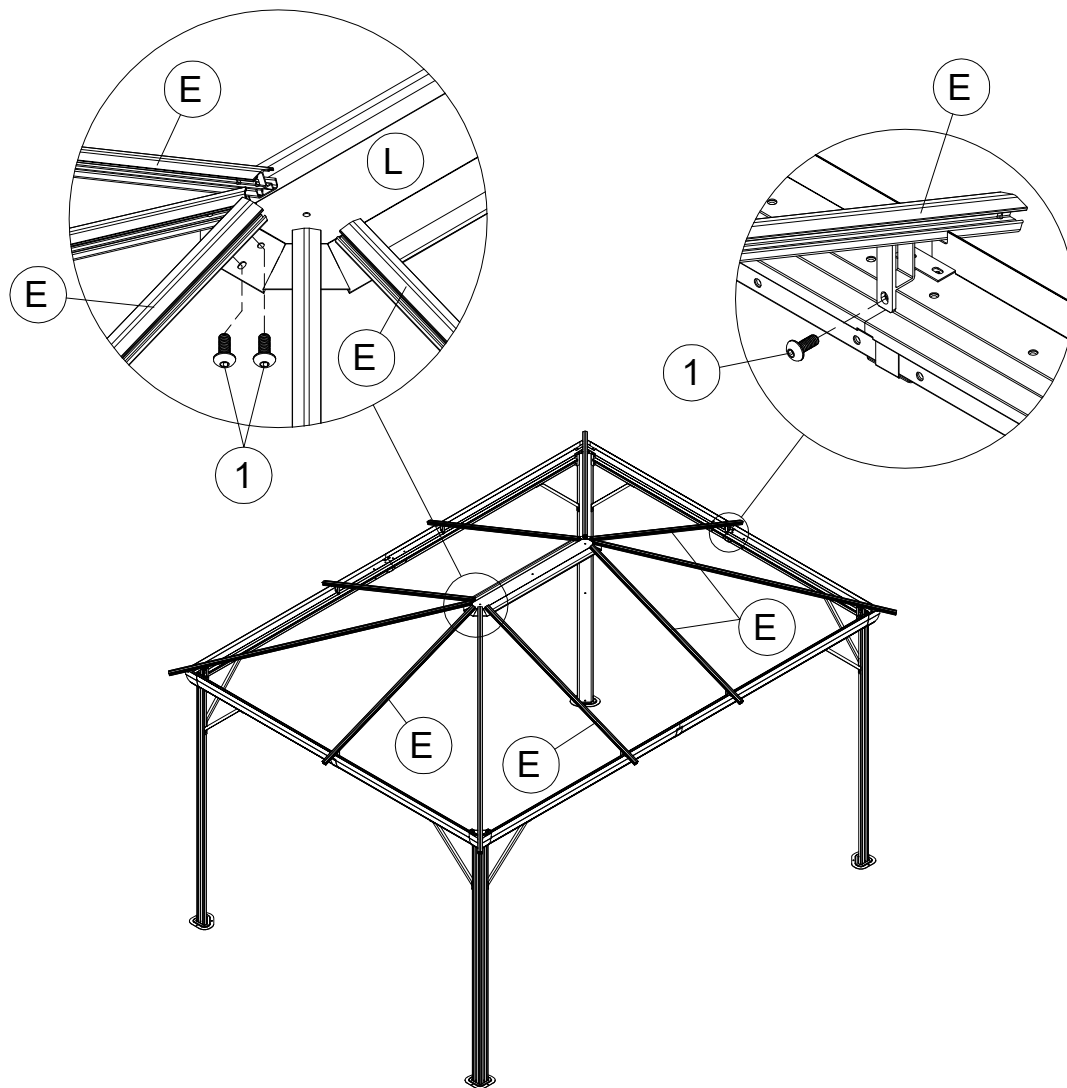


<8>

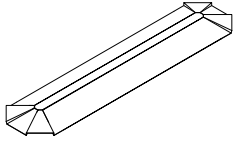
E 6x



1 M6x15
18x



9



(M) 1x

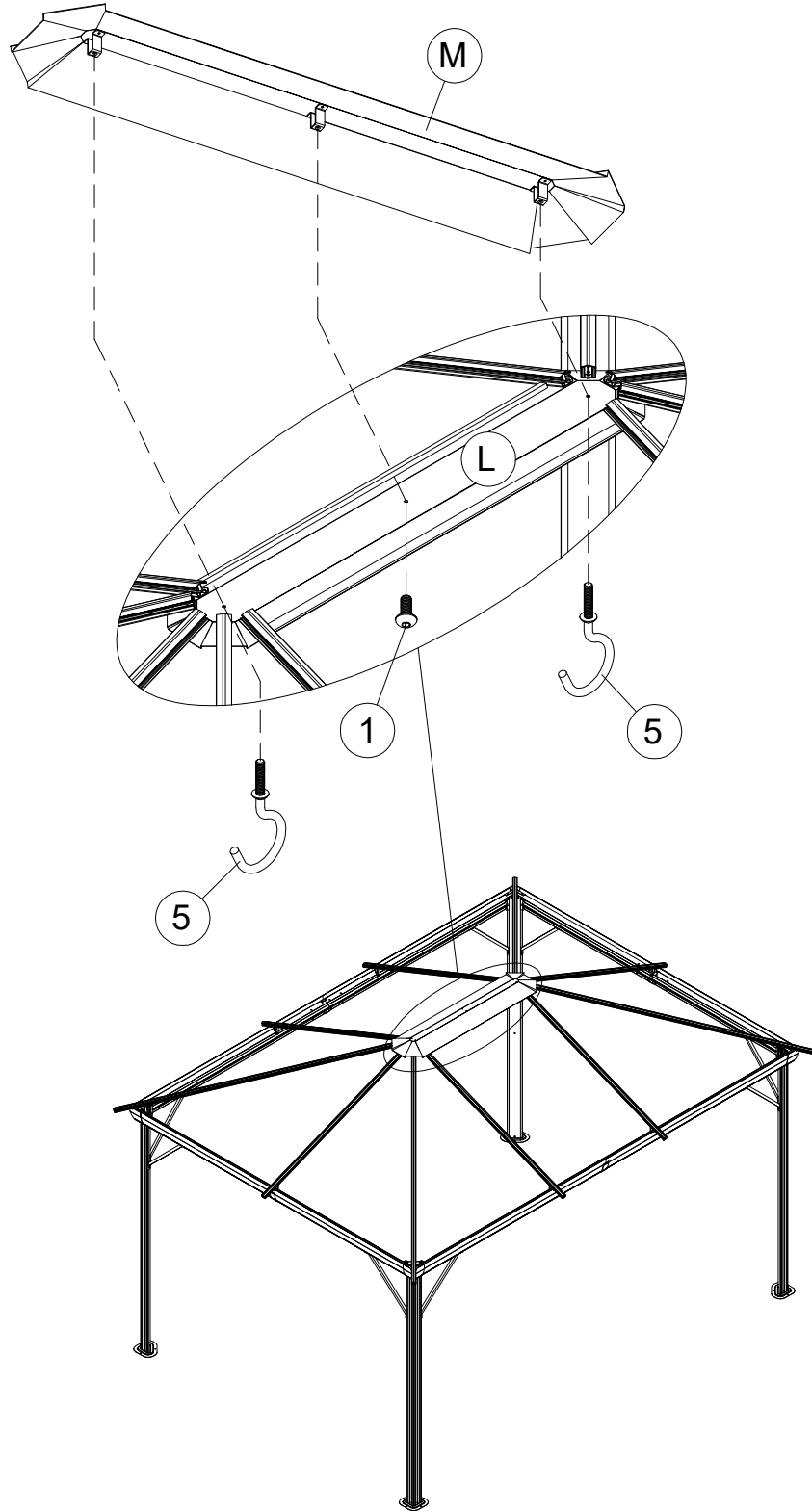


(1) 1x M6x15

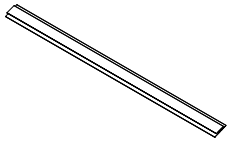


(5) 2x

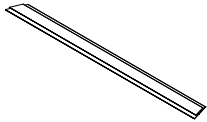
<9>



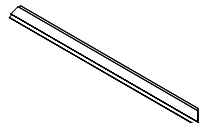
<10>



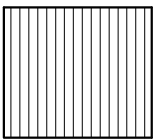
F 2x



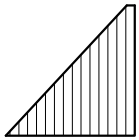
F1 4x



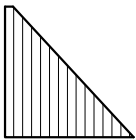
F2 4x



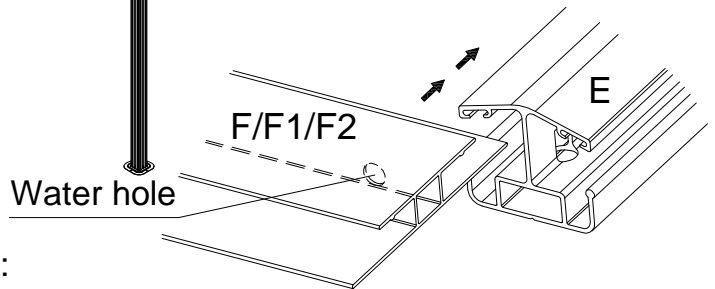
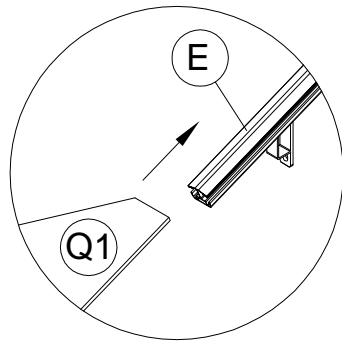
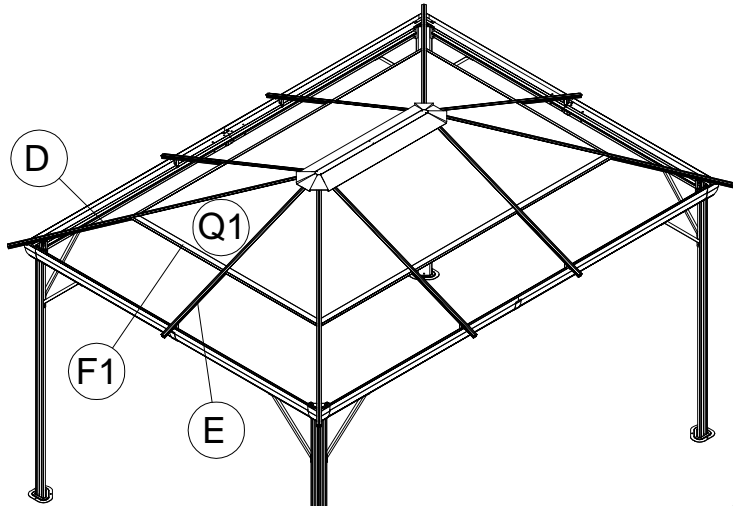
Q 2x



Q1 4x



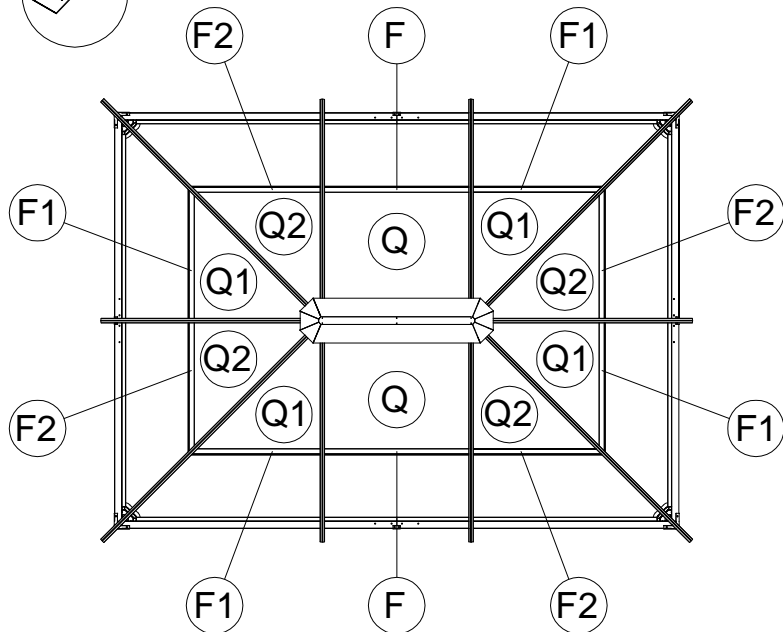
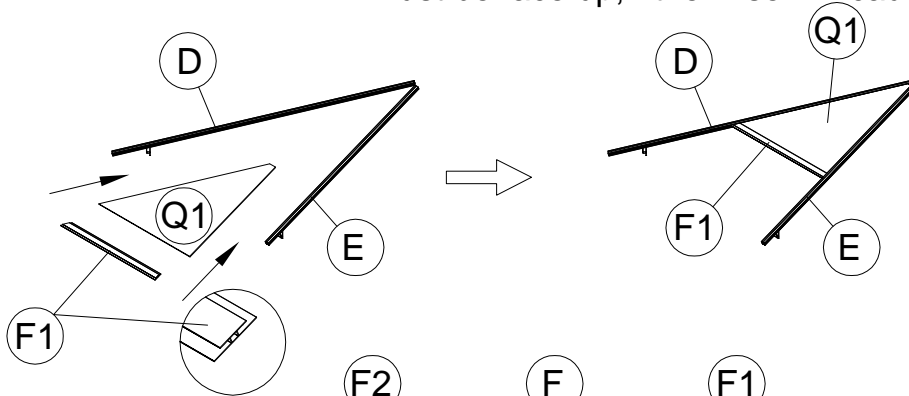
Q2 4x



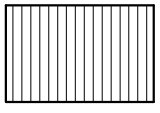
Note:

1. When F1 or F2 or F slide into the E, the wide side must be face down and narrow side face up, otherwise will cause water leaking

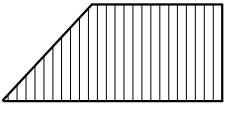
2. F or F1 or F2 the water holes inside of the tube must be face up, otherwise will cause water leaking



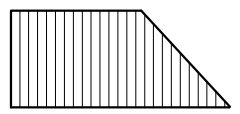
<11>



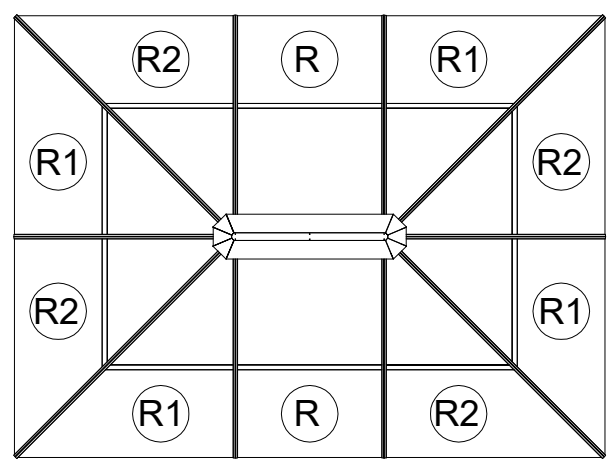
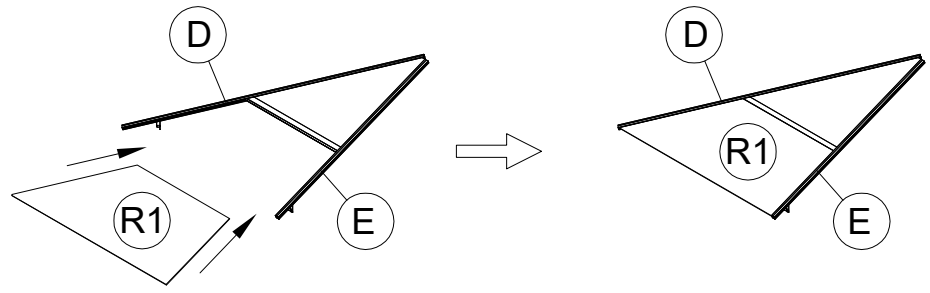
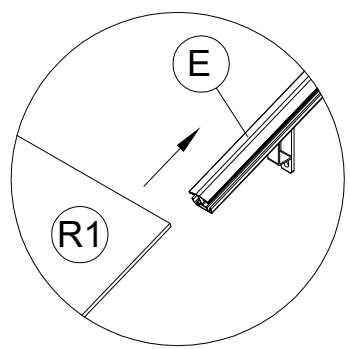
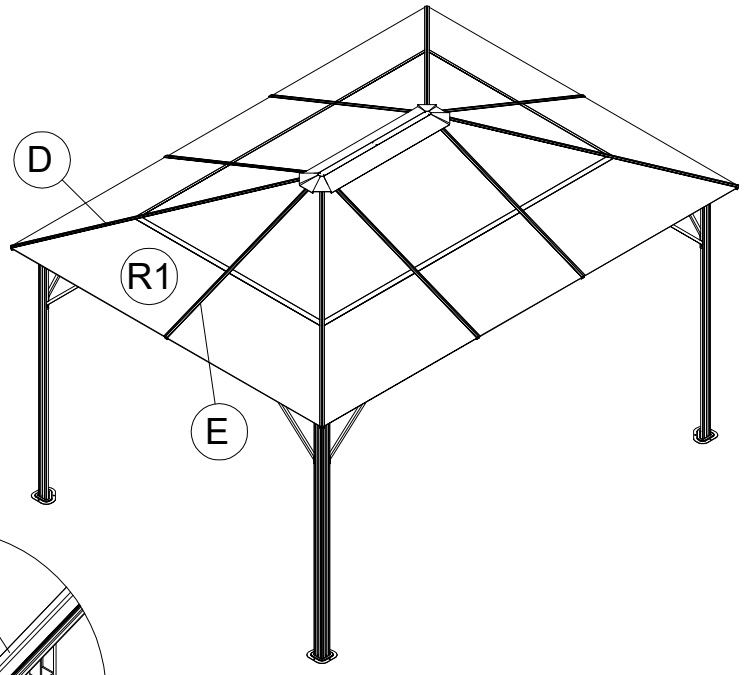
(R) 2x



(R1) 4x



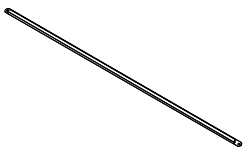
(R2) 4x



<12>



G 2x



G1 8x



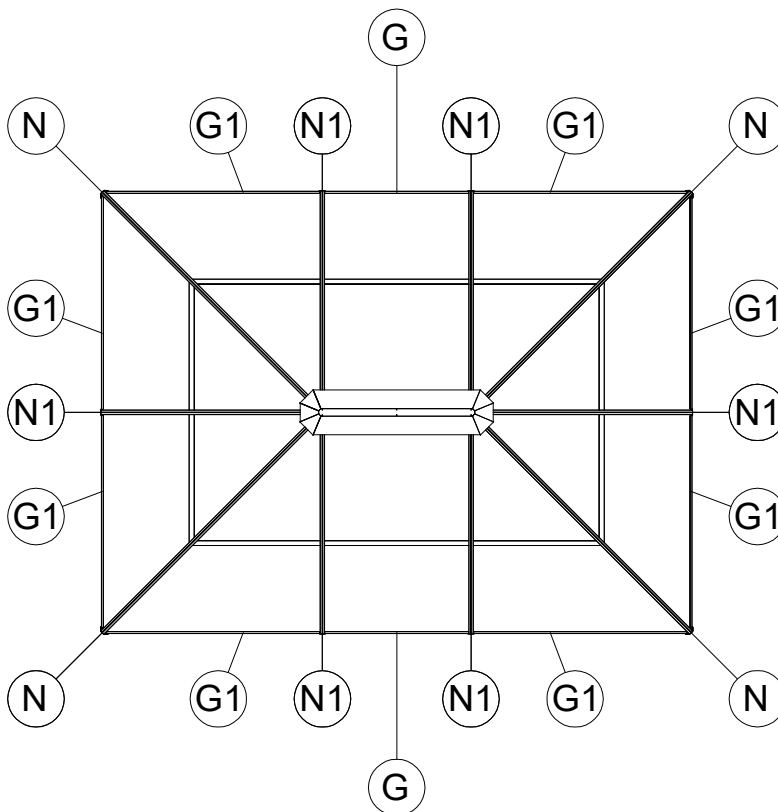
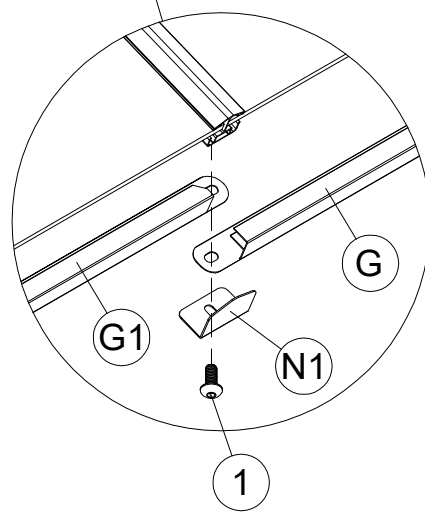
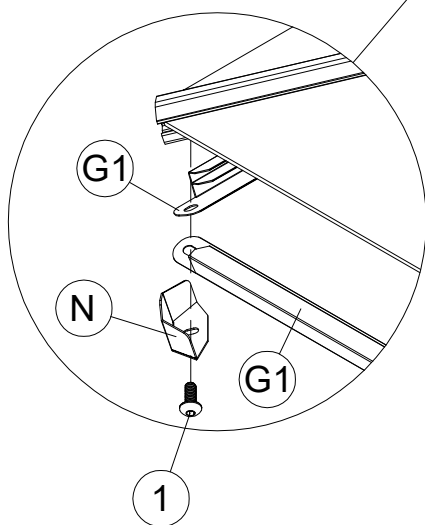
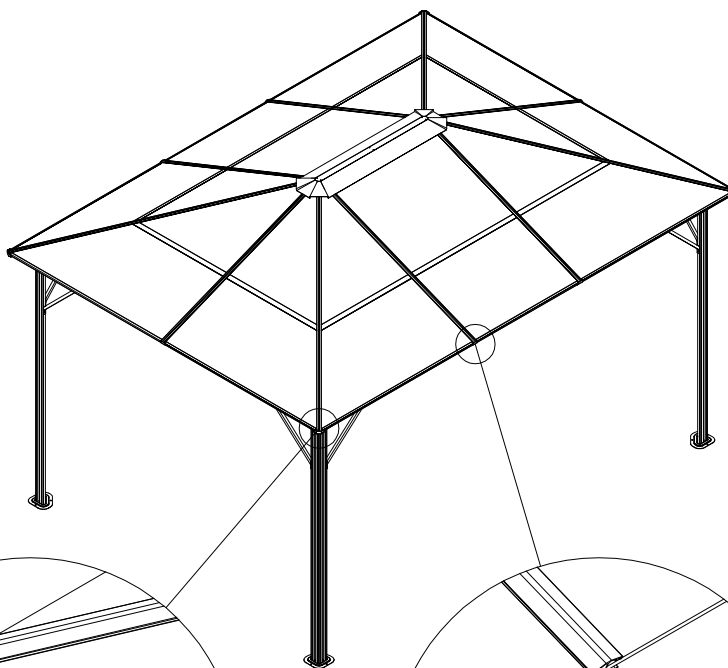
N 4x



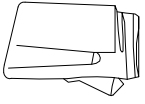
N1 6x



1 10x M6x15

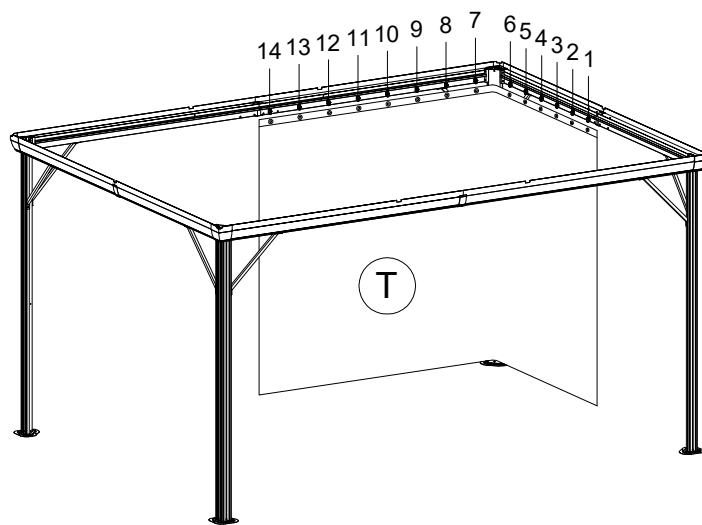
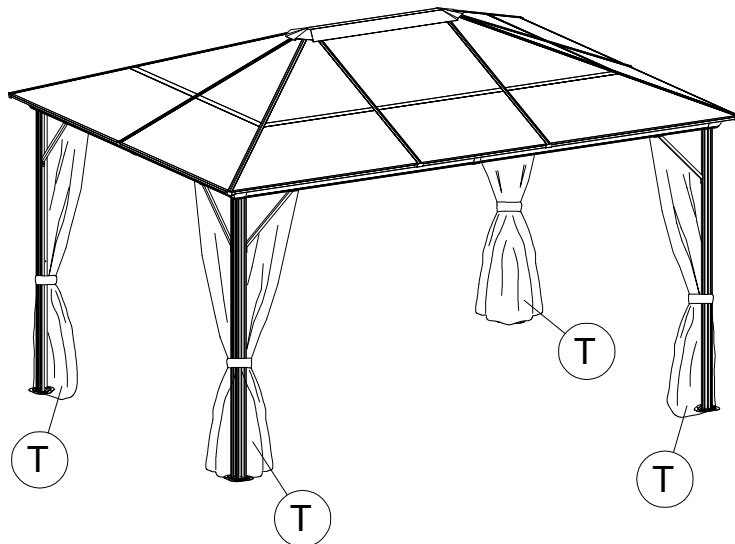
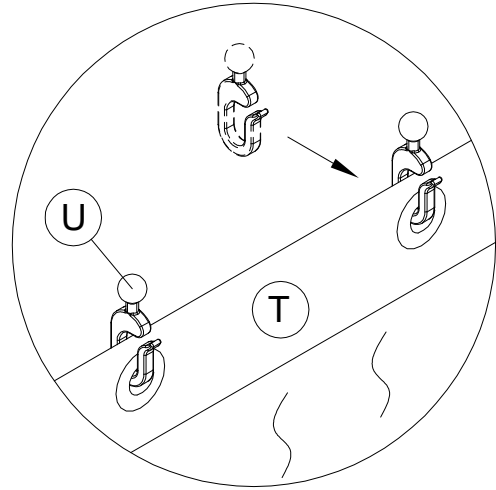
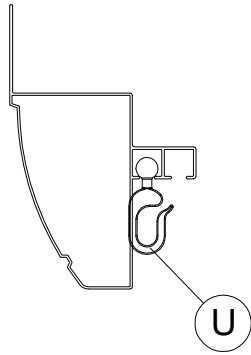


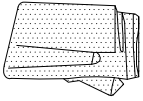
13



<13>

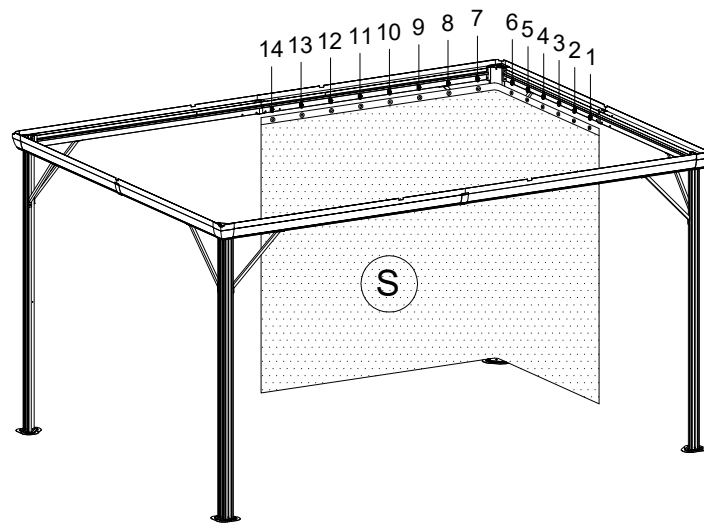
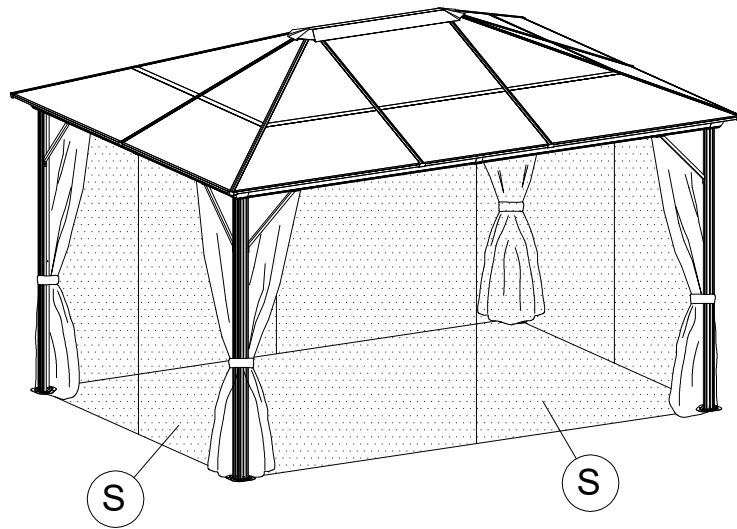
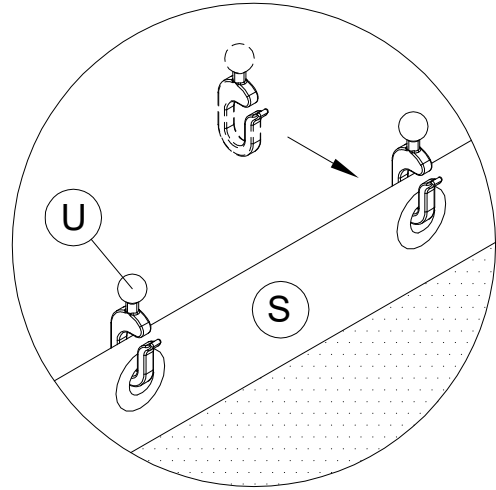
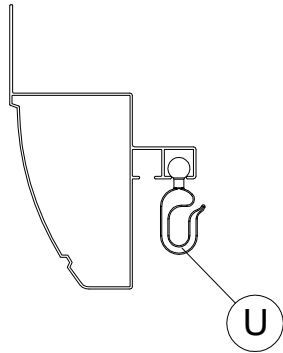
T 4x

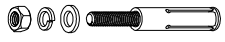




<14>

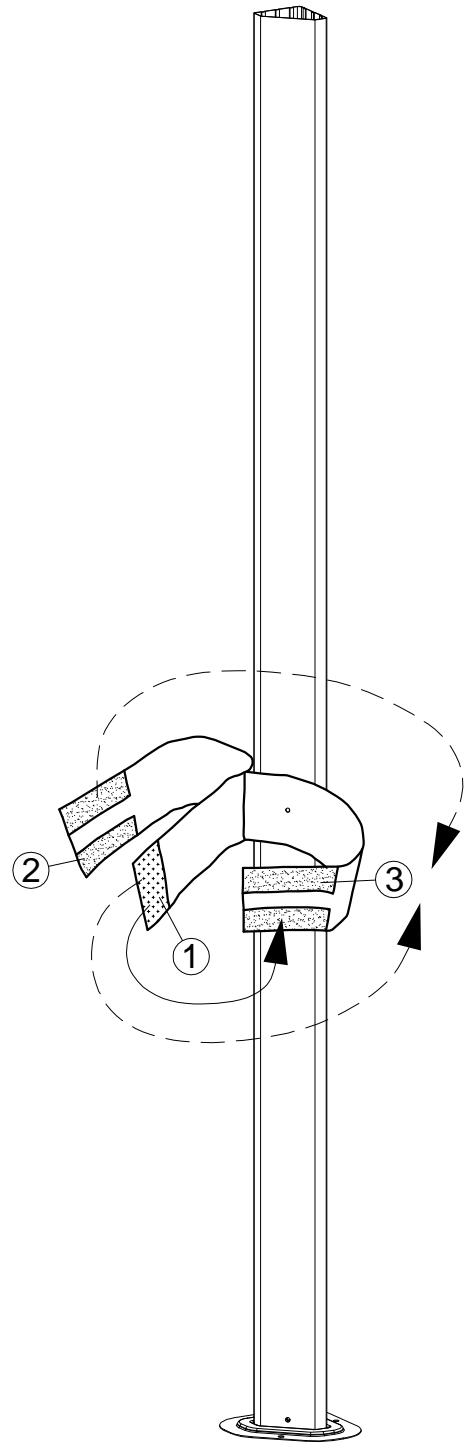
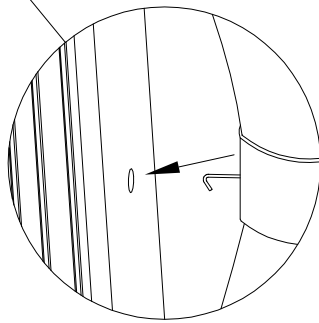
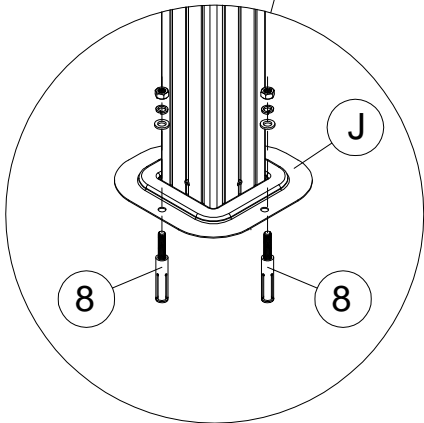
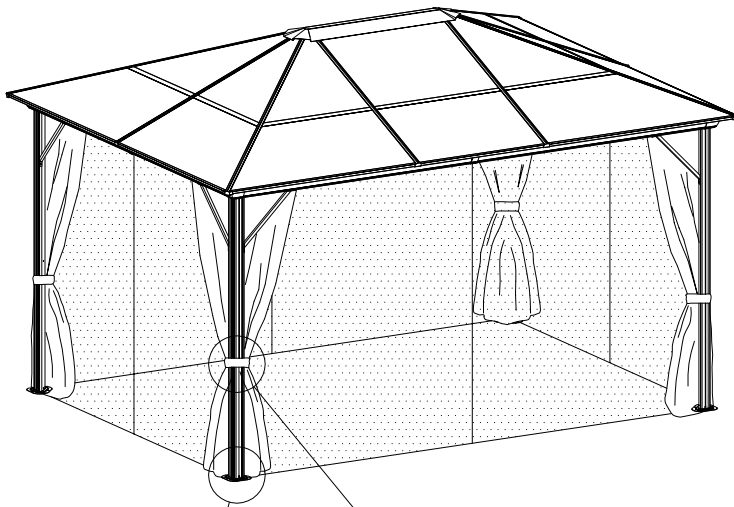
S 4x





<15>

8 12x



Note:

1. 1 stick 2 tie S and T together
2. 1 stick 3 towards back tie T
3. 1 stick 3 towards front tie S

16

Contact information

Austria



Belgium



Croatia



Denmark



Estonia



Finland



France



Germany



Ireland



Italy



Latvia



Lithuania



Nederland



Norway



Poland



Portugal



Spain



Sweden



Switzerland



UK

