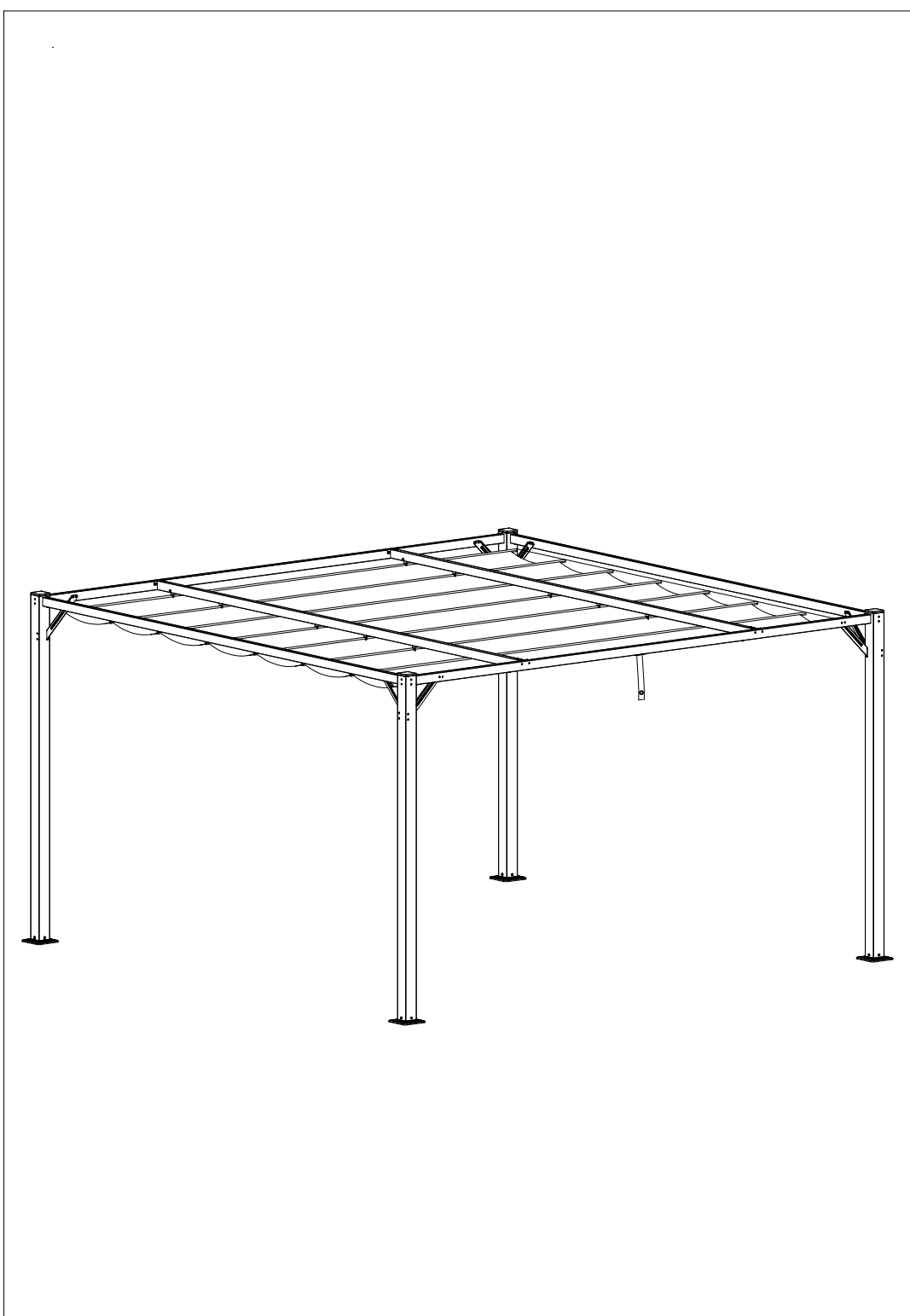


DANCOVER[®]

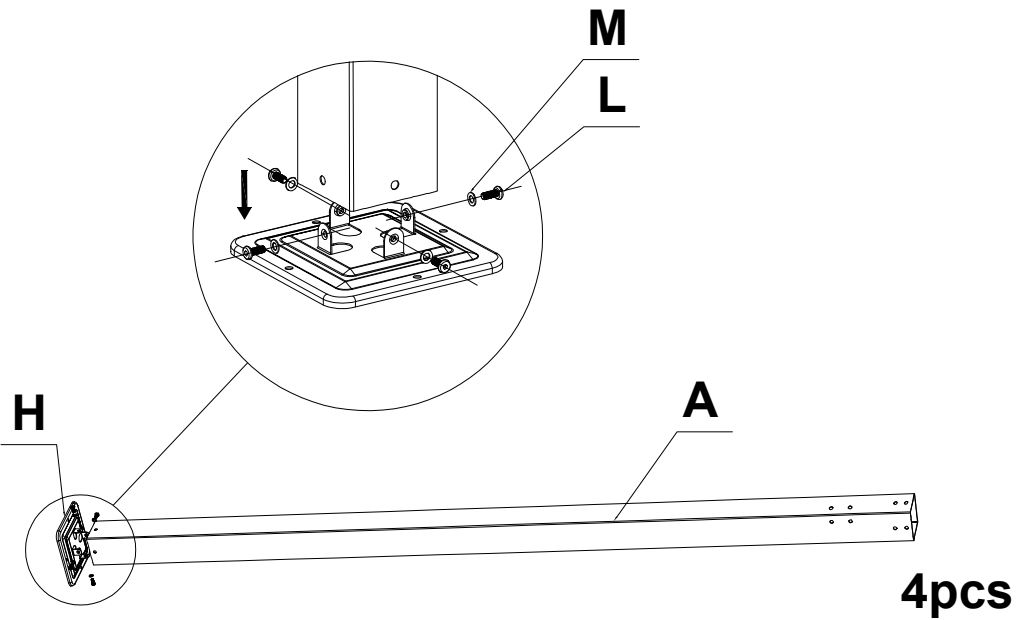


Manual
for
Pergola Gazebo Santa Cruz
4x4m

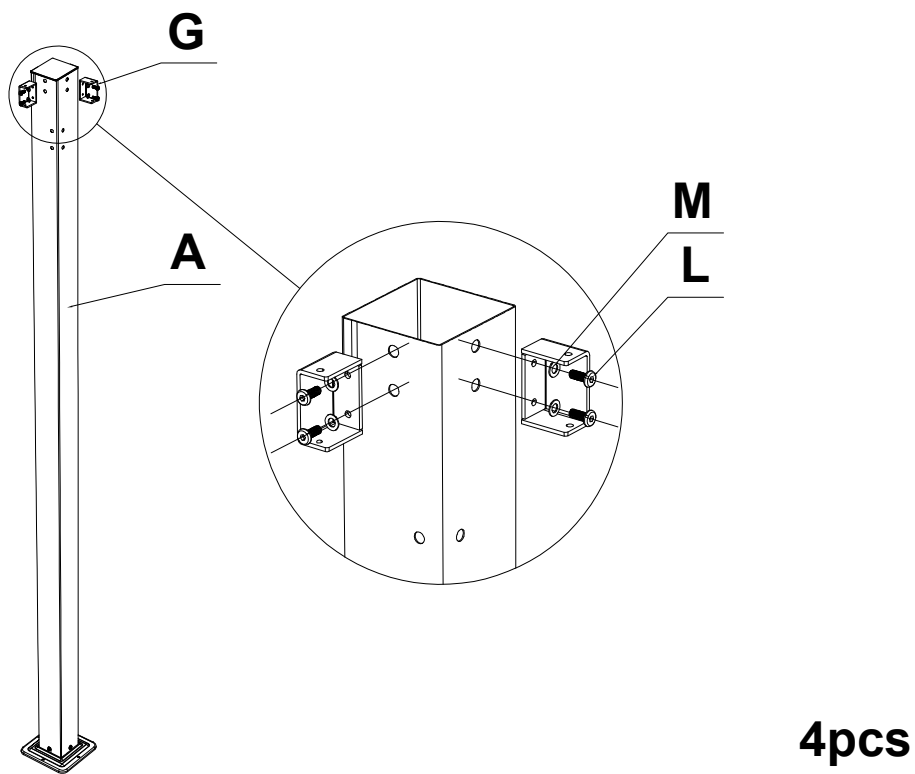


A		4		
B		1		
C		2		
D		1		
E		2		
F		8		
Gx8	Hx4	Ix4	Jx4	Kx4
M6*15 L x96	Ø6.5*Ø12*1 M x112	N x14	M6*65 O x16	Px4
Q X1	Sx16	Ux1		

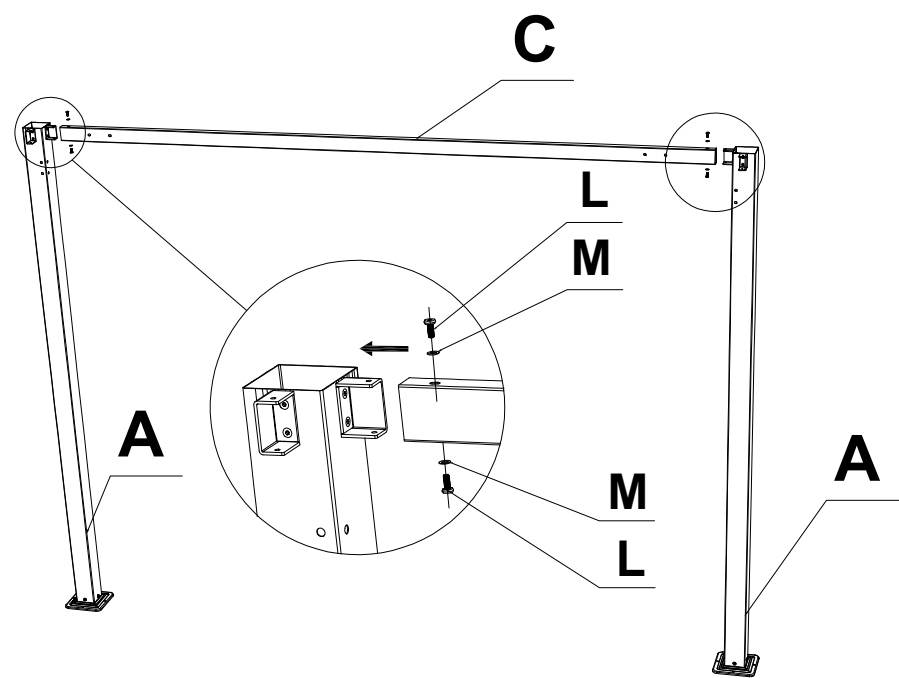
1



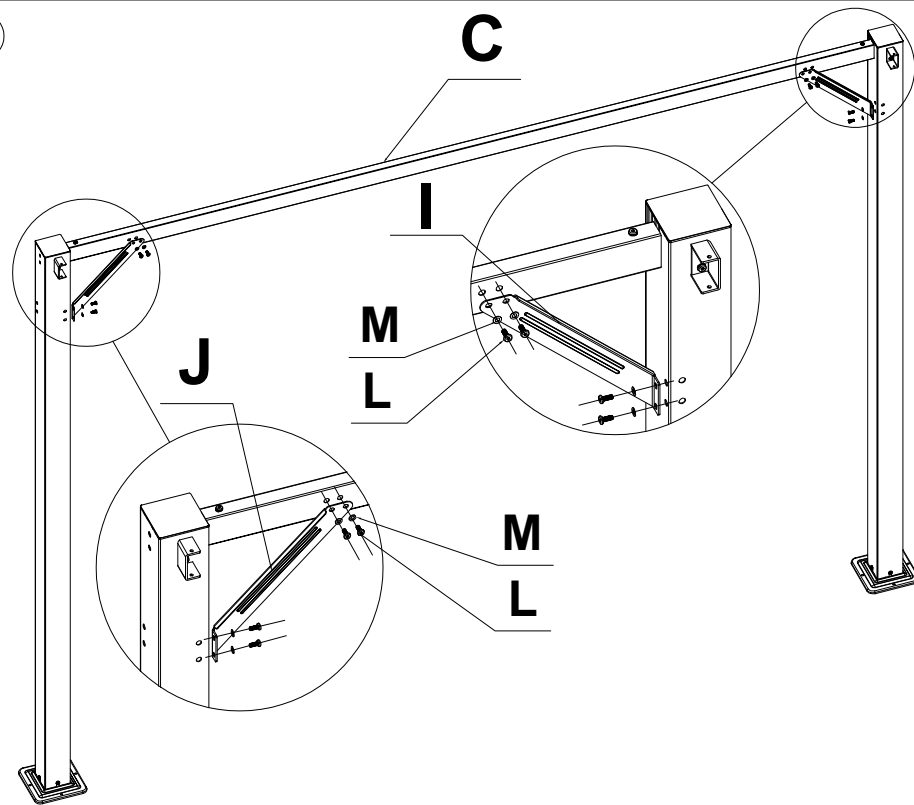
2

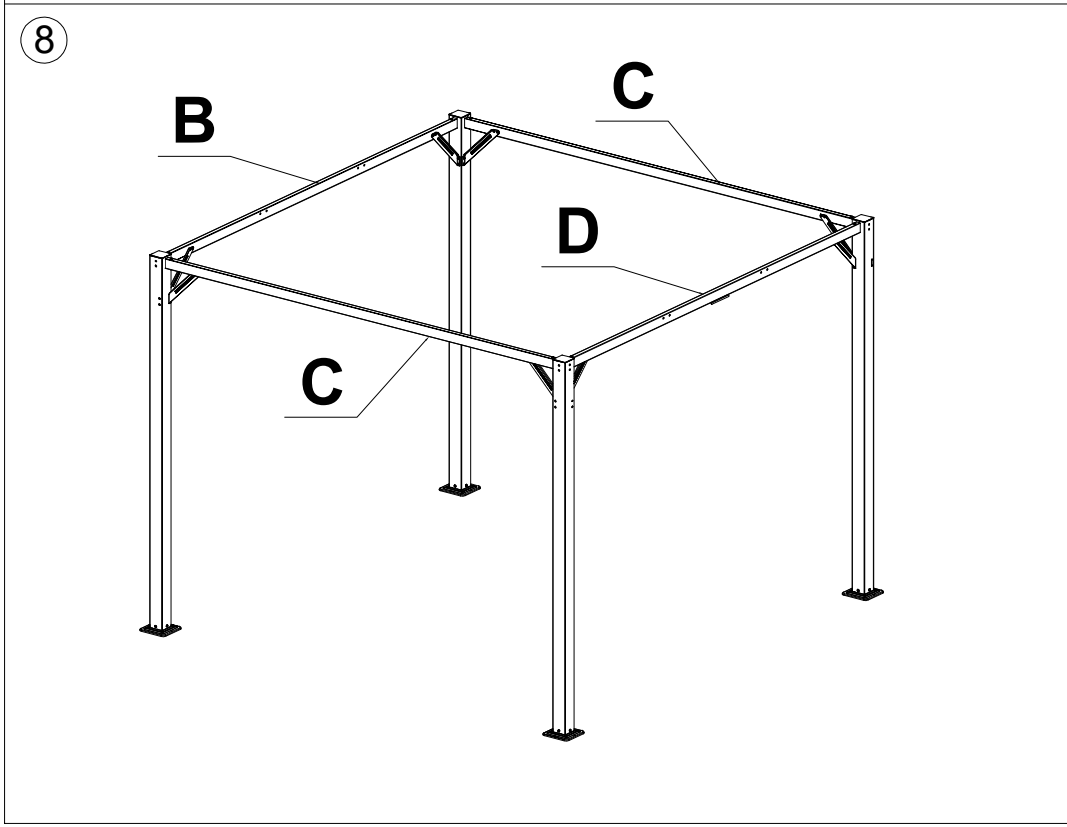
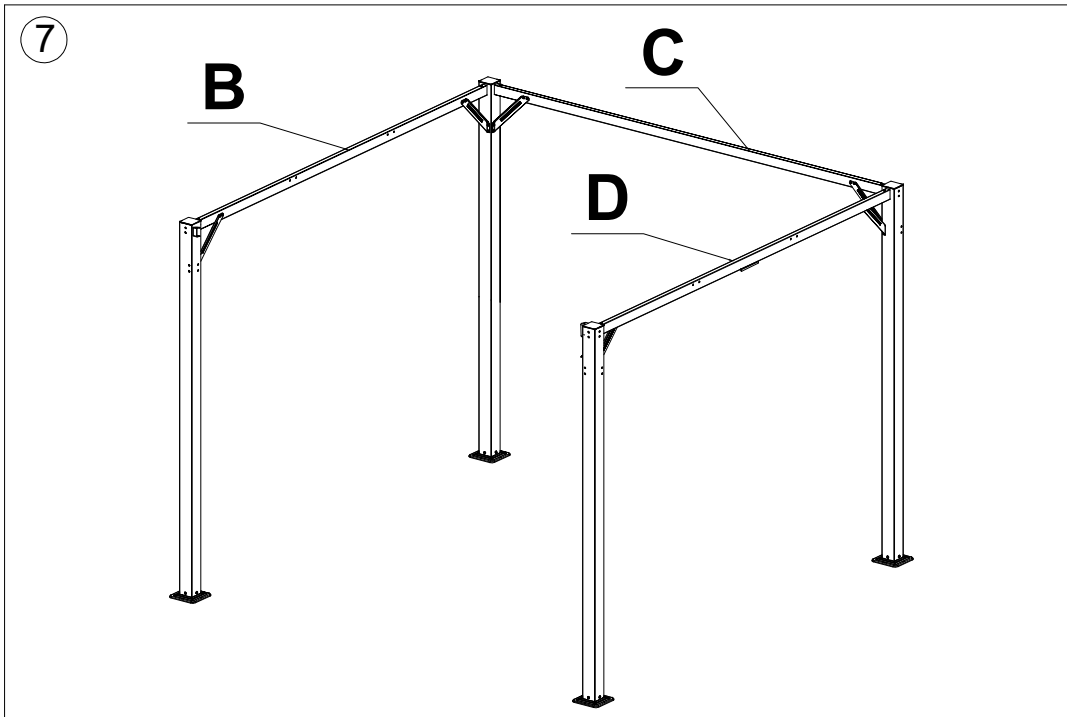
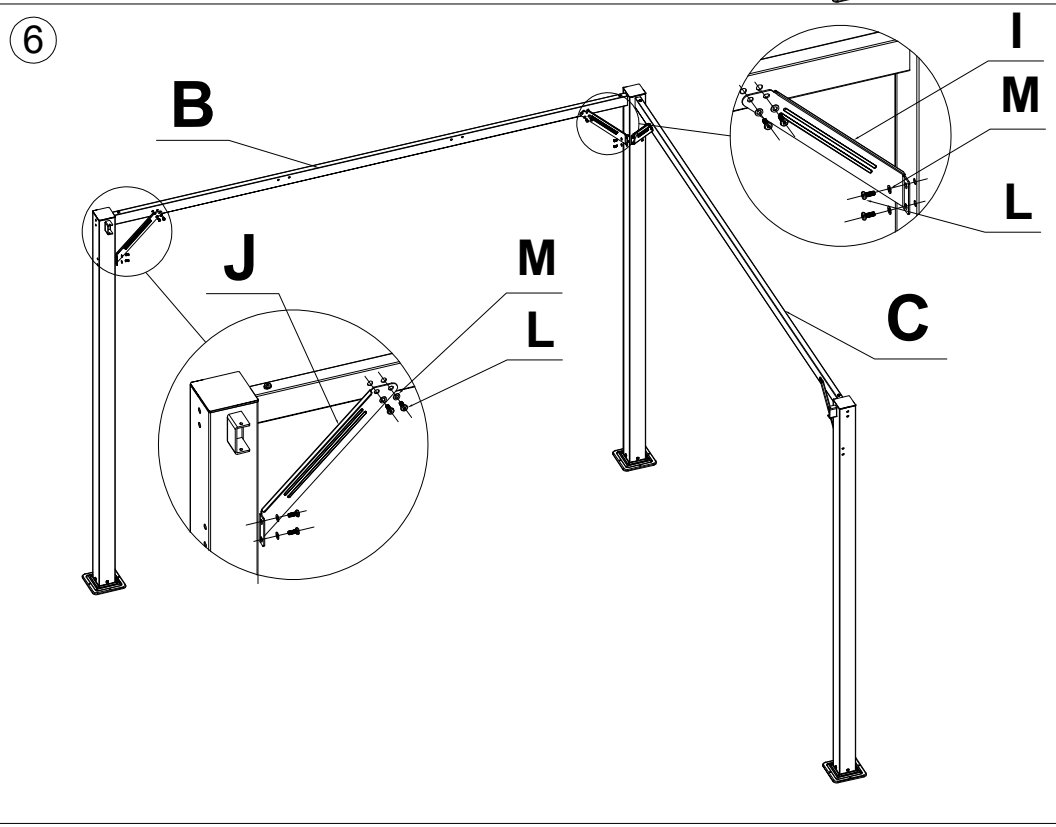
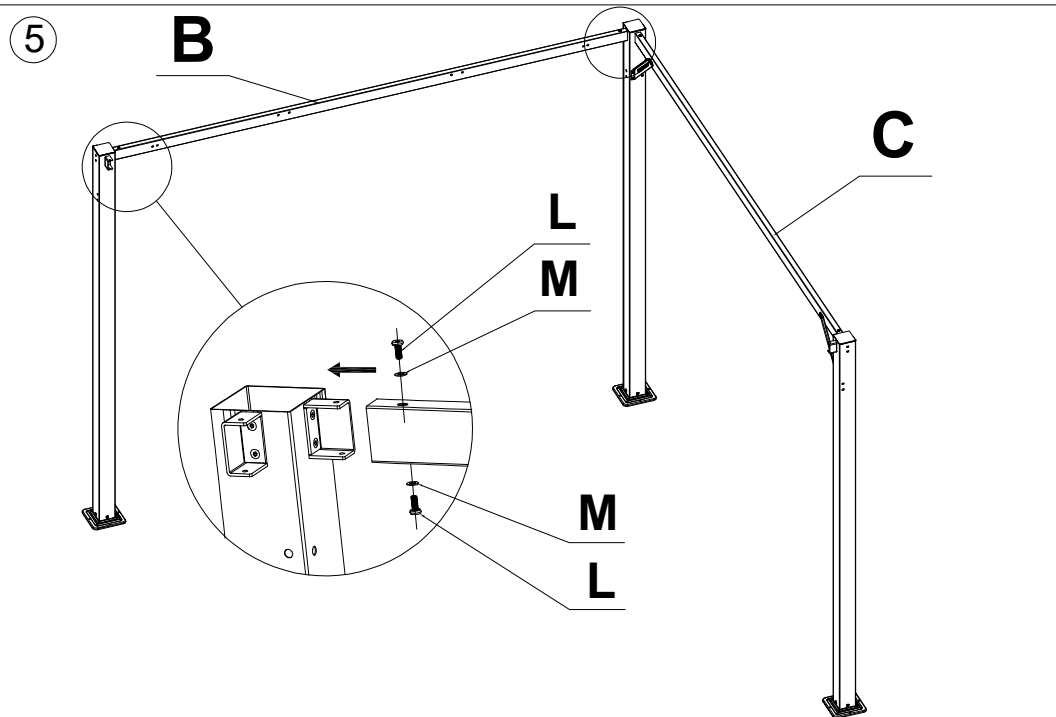


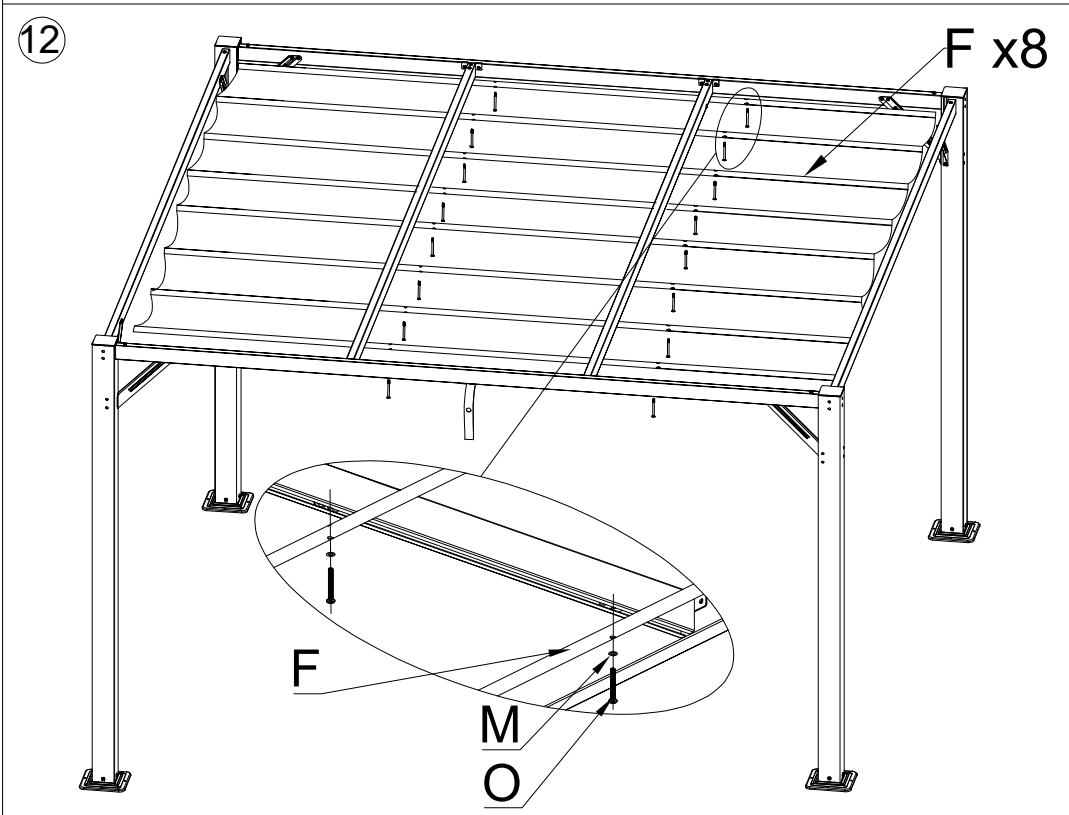
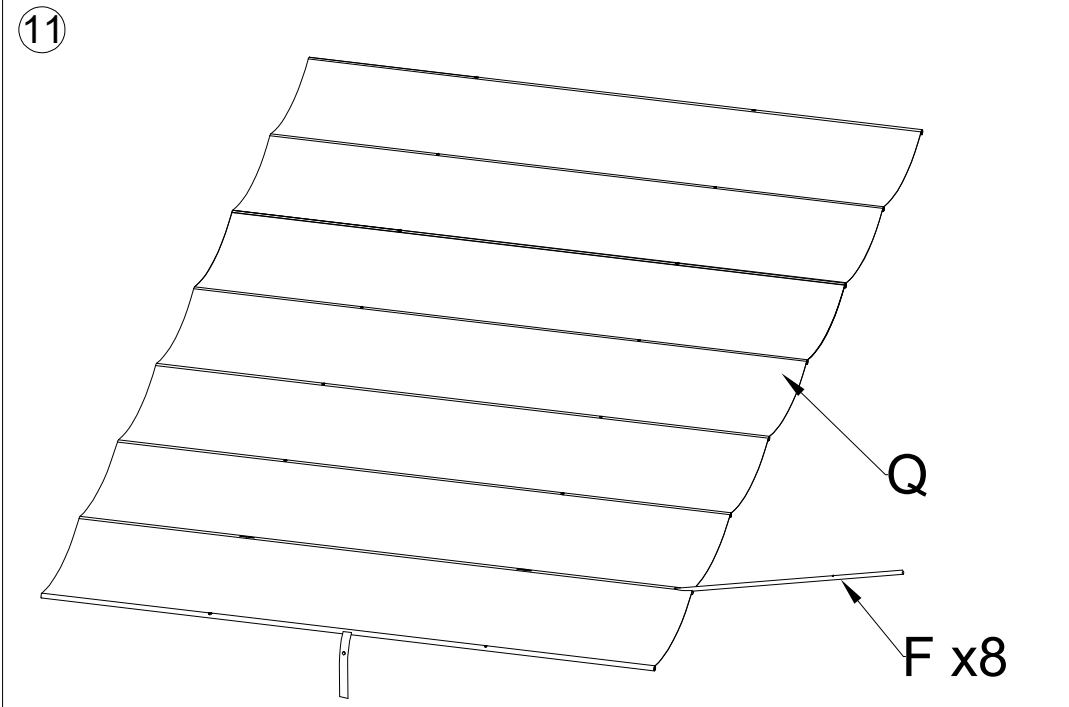
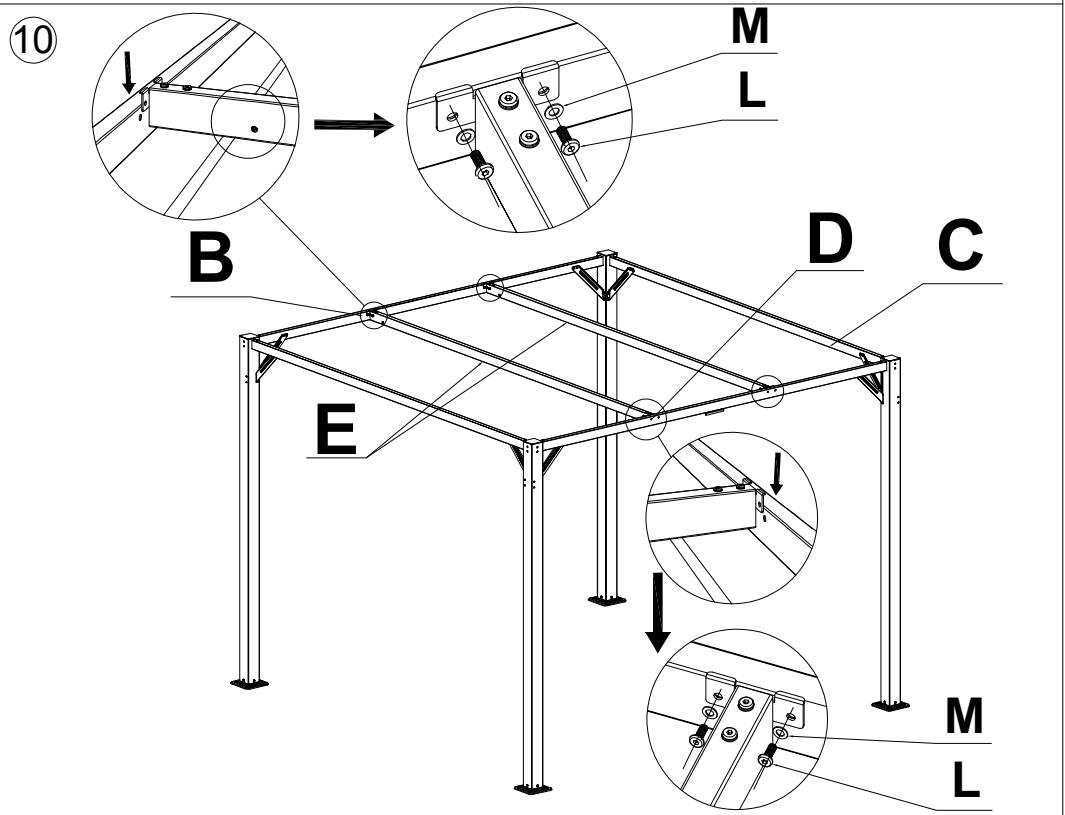
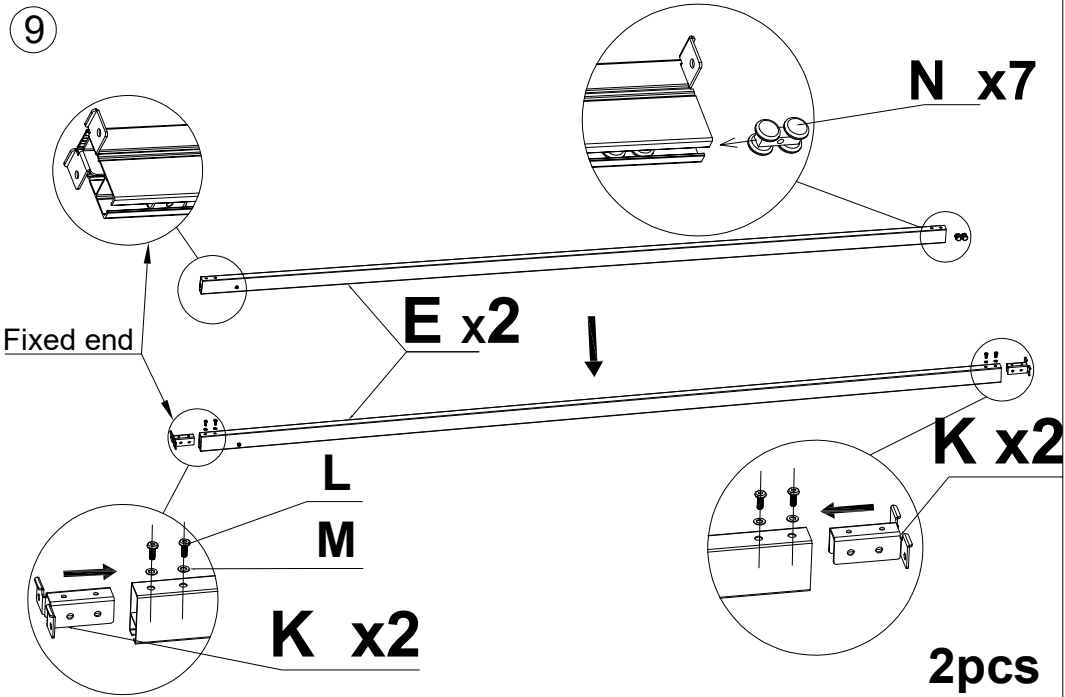
3



4

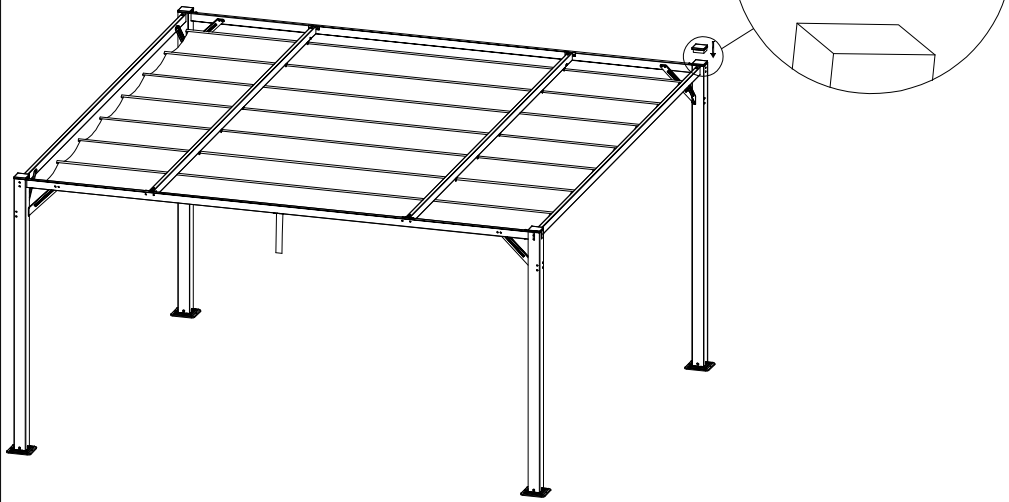






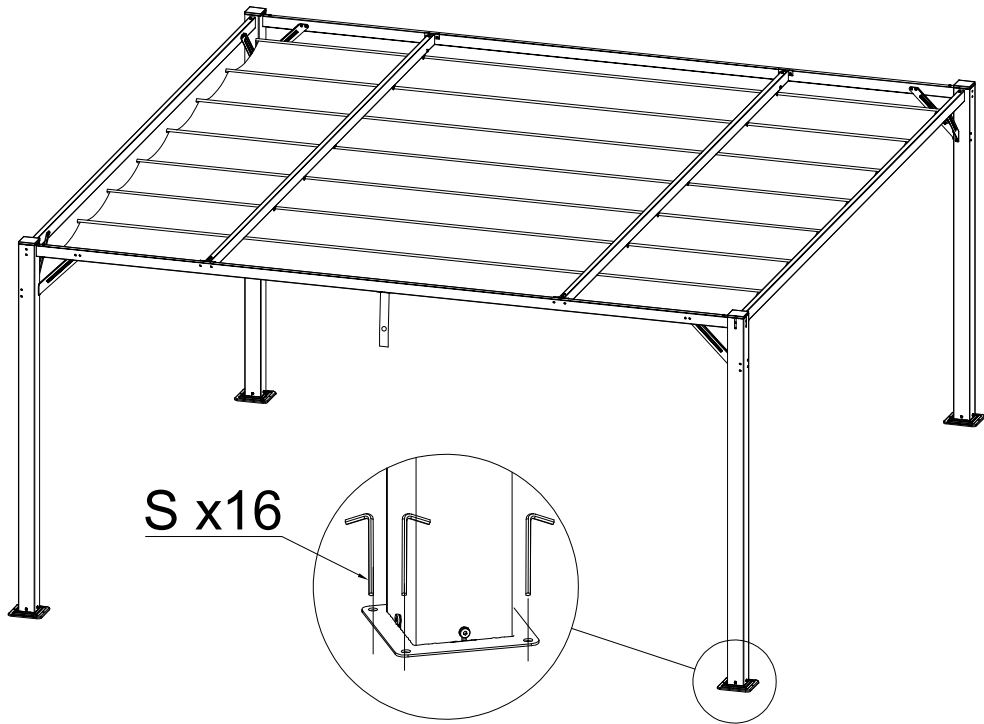
13

P x4

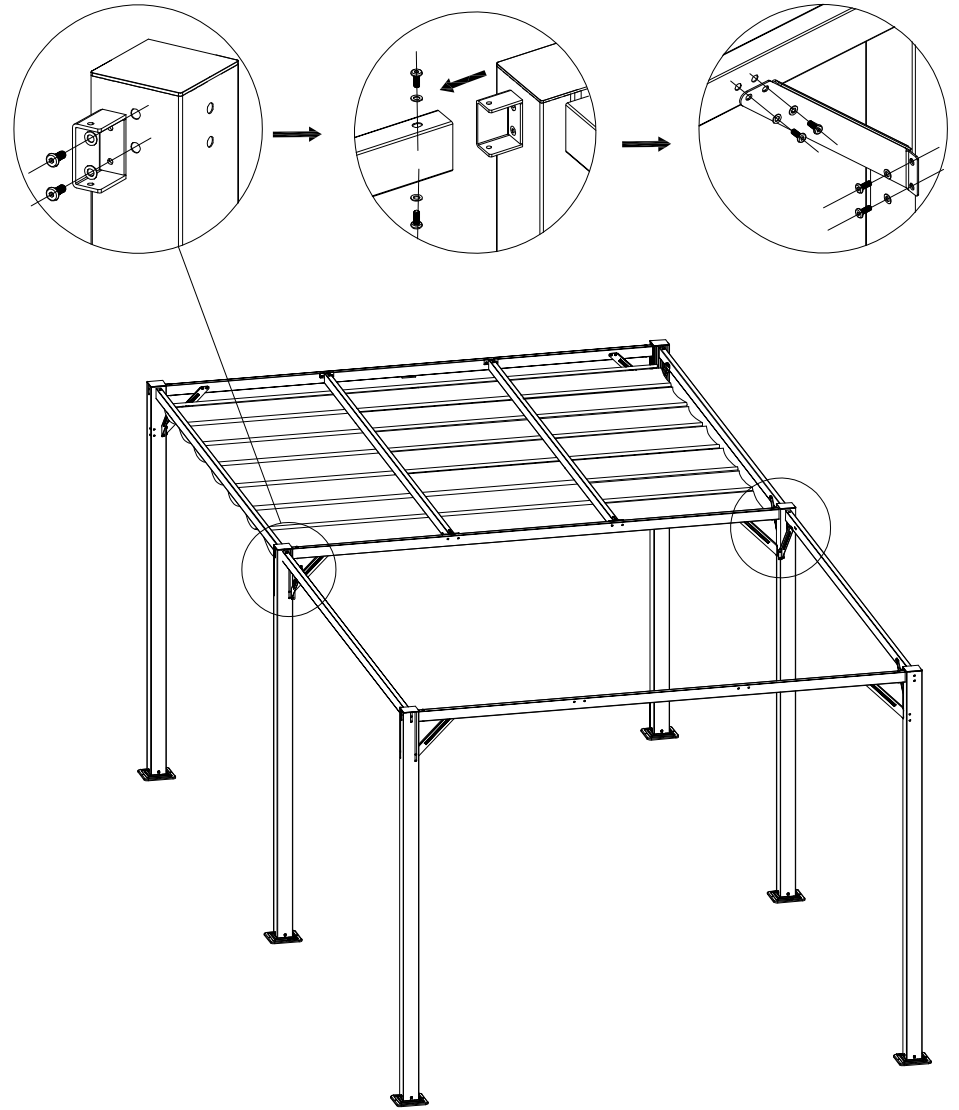


14

S x16



15



DANCOVER[®]

.com

Contact information

Austria



Belgium



Croatia



Denmark



Estonia



Finland



France



Germany



Ireland



Italy



Latvia



Lithuania



Nederland



Norway



Poland



Portugal



Spain



Sweden



Switzerland



UK



For more information please visit: www.dancovershop.com