

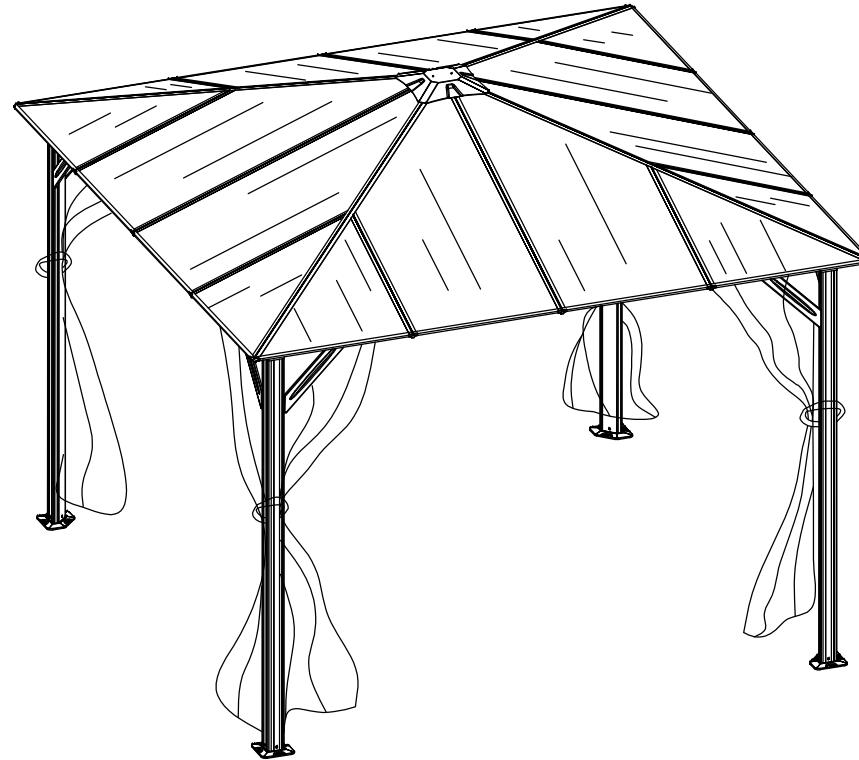
DANCOVER[®]



Manual
for
Gazebo 3x3m

Aluminum Pavilion Instruction manual

size:297Lx297Wx196/252Hcm



IMPORTANT

You must read these instructions carefully before you start to assemble this greenhouse. Please ensure that you find all parts in the carton box in the correct type and quantity as mentioned in the list illustrated in every page accordingly.

Please carry out the steps in the order set out in these instructions.

Do not tighten the steps in the Aluminum Pavilion until completing on the assembly of the poly carbon ate panels.

Keep these instructions in a safe place for future reference.

SAFETY ADVICE

We strongly recommend the use of work gloves during assembly.
Do not attempt to assemble the Aluminum Pavilion in windy or wet conditions,
Do not touch overhead power cables with the aluminum profiles.
Always wear shoes and safety goggles when working with extruded aluminum.
Dispose of all plastic bags safely-keep them out of reach of small children.
The Aluminum Pavilion must be positioned and fixed on a flat level surface.
Do not lean against or push the Aluminum Pavilion during construction.
Keep children away from the assemble area.
Do not position your Aluminum Pavilion in an area exposed to excessive wind.
Do not attempt to assemble this Aluminum Pavilion if you are tired ,have taken drugs or alcohol or if you are prone to dizzy spells.
If using a step ladder or power tools ensure that you follow the manufactures safety advice.
Hot items such as recently used grills, blowtorches etc.must not be stores in the Wall shed.
Ensure there are no hidden pipes or cables in the ground before inserting the pegs.

GENERAL ADVICE

This is a multi-part assembly, Allow at least 200 minutes for assembly.
Selecting a site-choose a sunny level position away from overhanging trees.
If you are fixing your Aluminum Pavilion directly to a solid concrete foundation use the pre drilled holes in the metal base supplied.
The component parts should be checked and laid out close at hand.
Keep all small parts(screws etc)in a bowl so they do not get lost.
Note that the door is hinged on the right hand side and therefore opens tothe right.
Keep roof clear of snow and leaves.

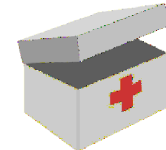
CARE & MAINTENANCE

When your Aluminum Pavilion needs cleaning, use a mild detergent solution and risen with cols clean water.
Do NOT use acetone, abrasive cleaners or other special detergents to clean the clear panels.

TOOLS & EQUIPMENT REQUIRED

Protective Equipment:

- 1.Helmet
- 2.Glove
- 3.Long Sleeve Cotton Overalls
- 4.Emergency Medicine Cabinet
- 5.Eye Shield



Measure (metric):

- 1.The Tape (5 m)
- 2.Angle Square
- 3.Level Meter



Installation Tool:

- 1.Triangle Stairs≈1.5m Height
- 2.Spanner 10mm (Ratchet Wrench is better)
- 3.Spanner 14mm (Install the expansion screw)
- 4.Hexagon wrench 5mm
- 5.Electric screwdriver+5mm Hexagon wrench (suggest)
- 6.Wooden Mallet
- 7.Marking Pen
- 9.Percussion bit(10mm)
- 10.Knife
- 11.Phillips screwdriver

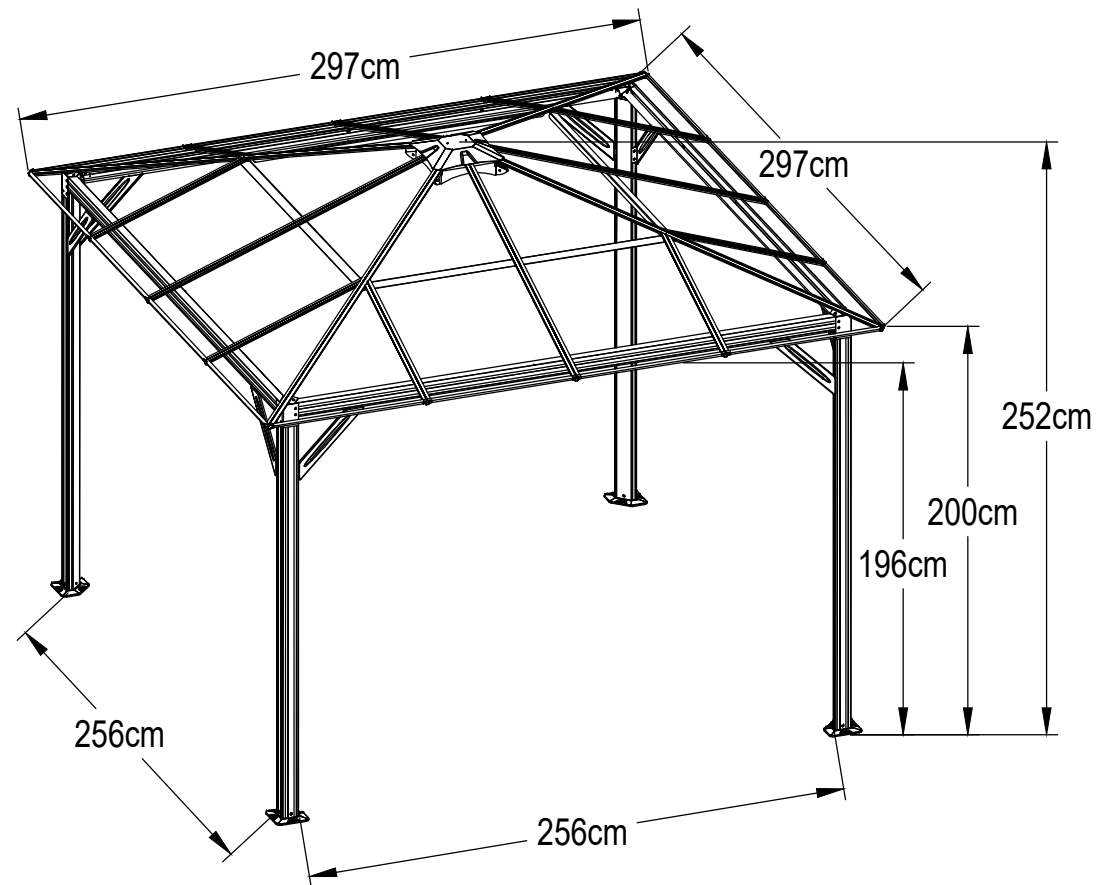


PRODUCT SIZE

Make sure a good installation location

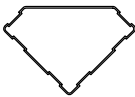
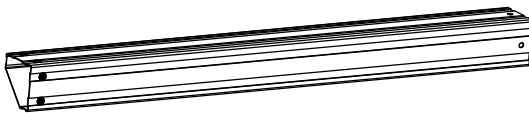
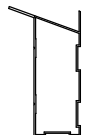
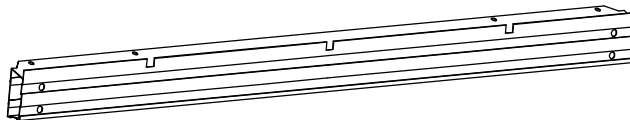

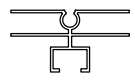

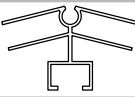




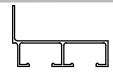

OTHER CAUTIONS

1. 4-5 people required, one is for measuring & taking marks to ensure the installation dimension ,the second person is responsible for the installation and the last one do as assistant and assure the safety.
2. High-power electric tools are required, ensure the normal work of them and highly pay attention to electric safety.
3. Be careful when using the kind of blunt tools, like hammer.
4. Wearing long sleeve cotton overalls,gloves and helmet during installation and wear safety glasses when using power tools .
- 5.No up watching when working height, or the drop screws may hurt your eyes and suffocation causing accidentally when fall into your mouth.
6. No climbing, No standing on the tent to avoid falling down.
7. If injuries immediately, using the first-aid kit to stop bleeding, bind up, In case of emergency, taken immediately to a nearby medical institutions.

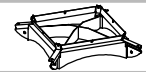



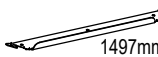
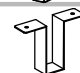

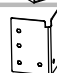





PARTS LIST

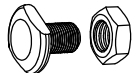

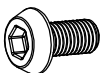

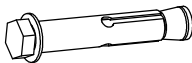



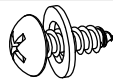

SKELETON

NO.	Qty.		
1	4		1950mm 
2	4		2660mm 
5	4		1423mm 
8L	4		806mm 
8R	4		
6	4		1950mm 
10	8		706mm 
11	8		748mm 
12	4		2548mm 

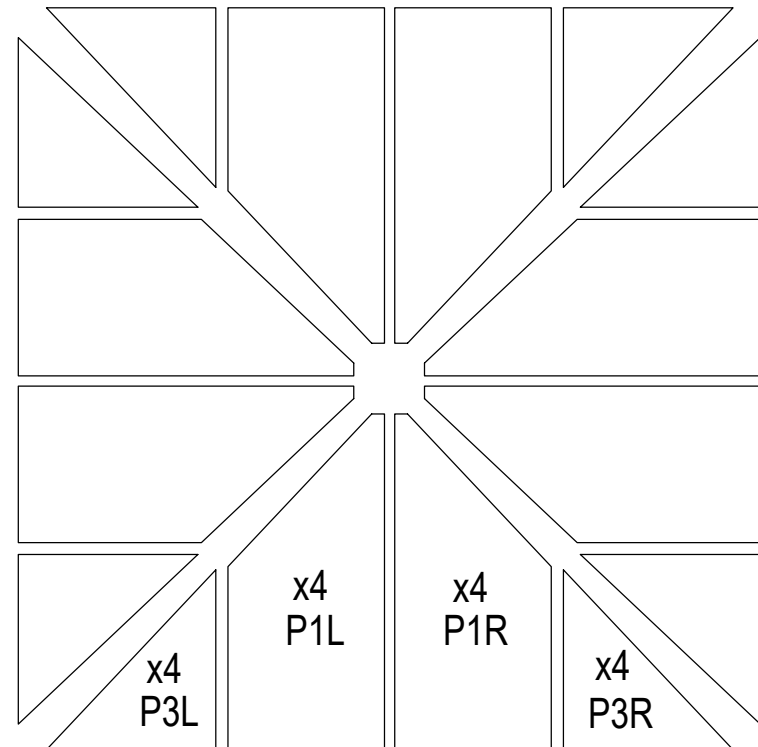
CONNECT

B1	1		B8	8		B13	8	
B2	1		B9	4	 1497mm			
B3	1		B10	12				
B5	4		B11	4				
B6	4		B12	4				

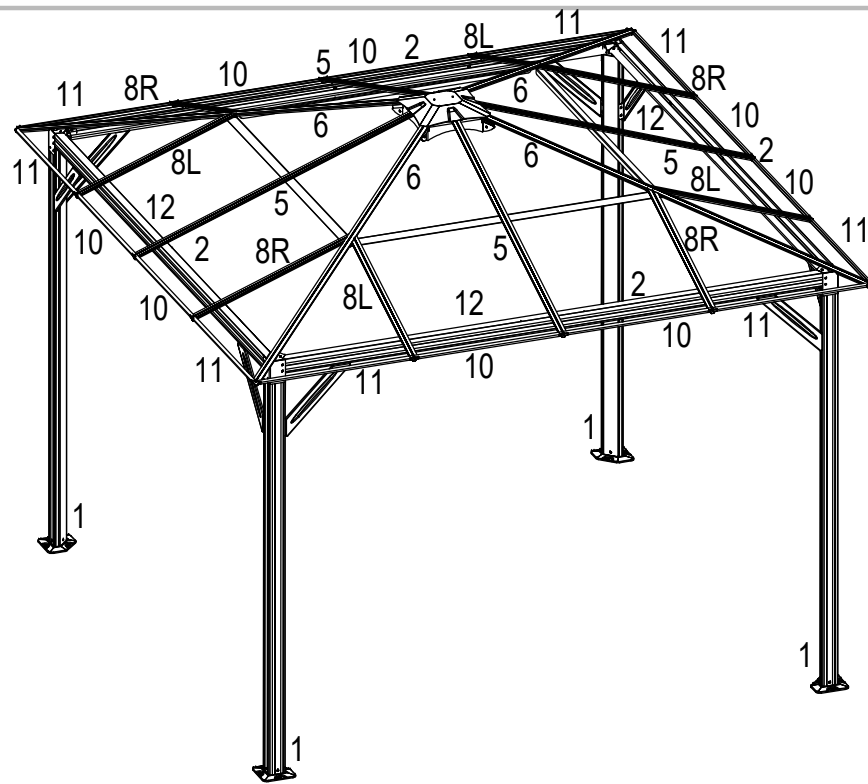
SCREW

F1	48		F6	2	
F2	76		B15	12	
F3	12		S6	112	
F4	8		S8	12	
F5	32		S9	48	

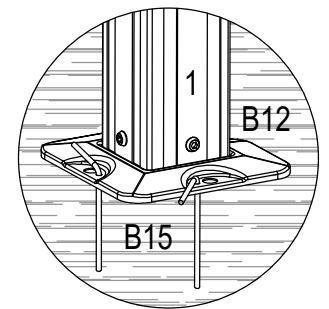
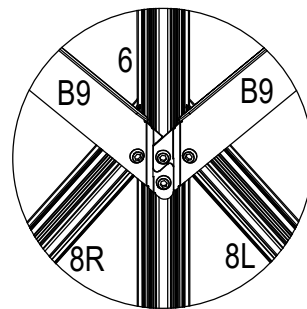
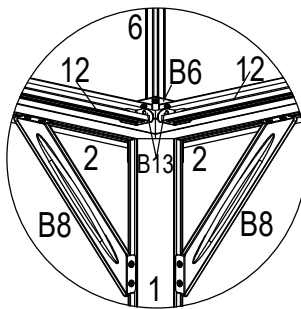
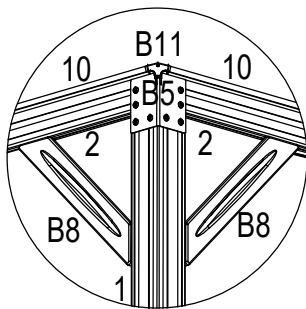
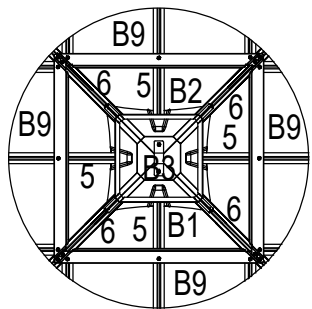
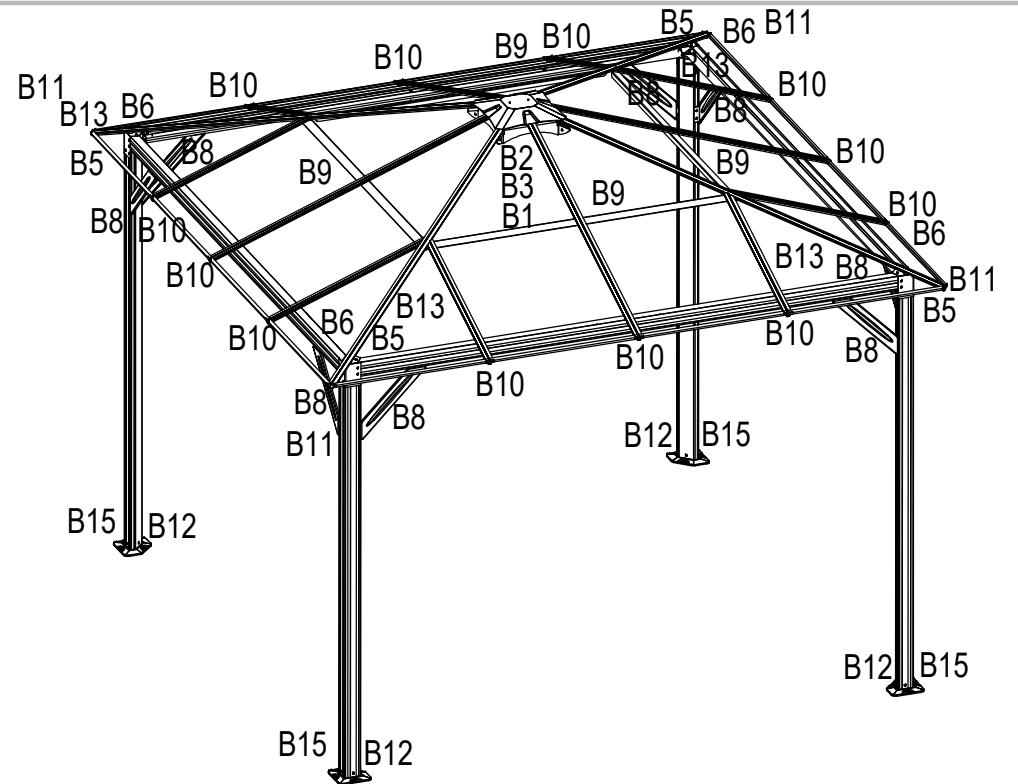
SUMMARY STATEMENT FOR POLYCARBONATE PANEL



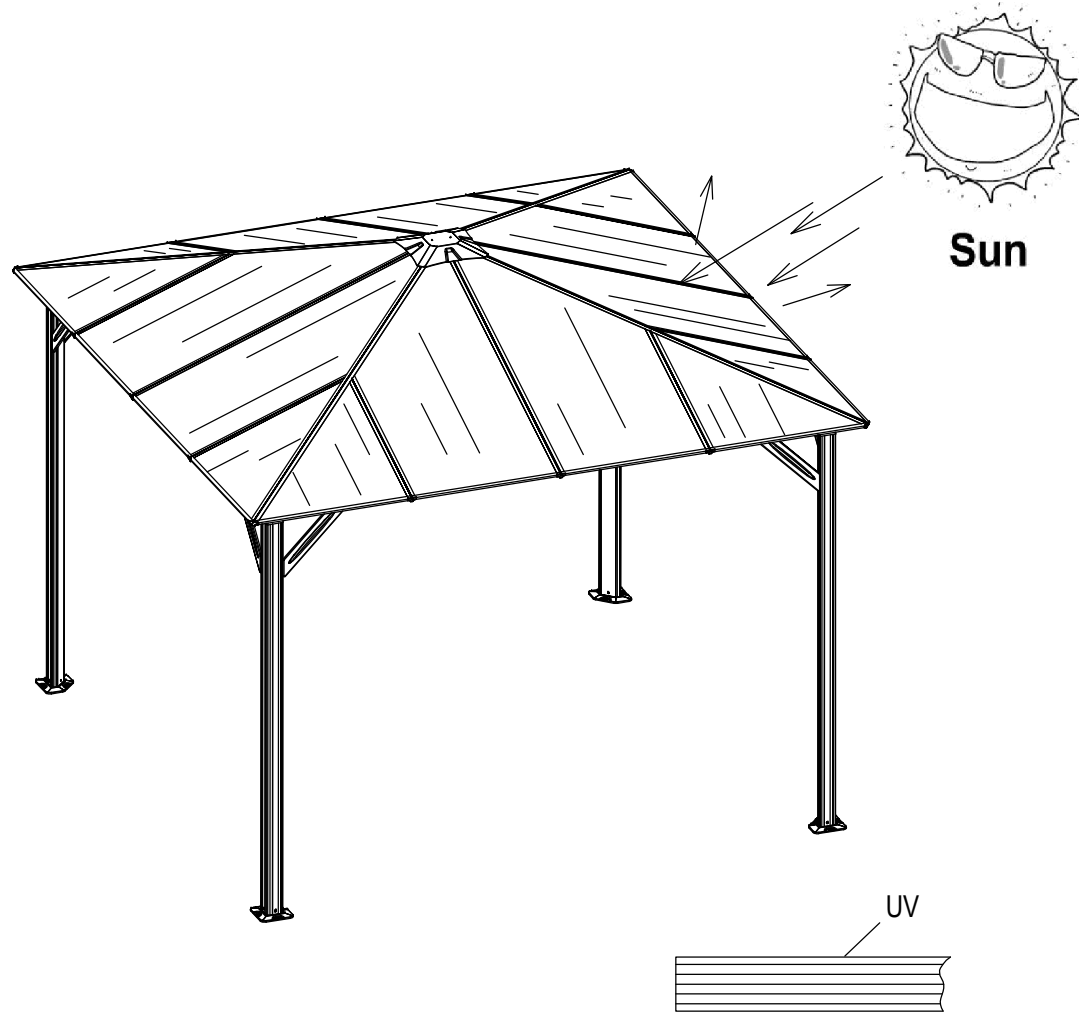
Install schematic diagram of frames



Install schematic diagram of connections



SUMMARY STATEMENT FOR POLYCARBONATE PANEL



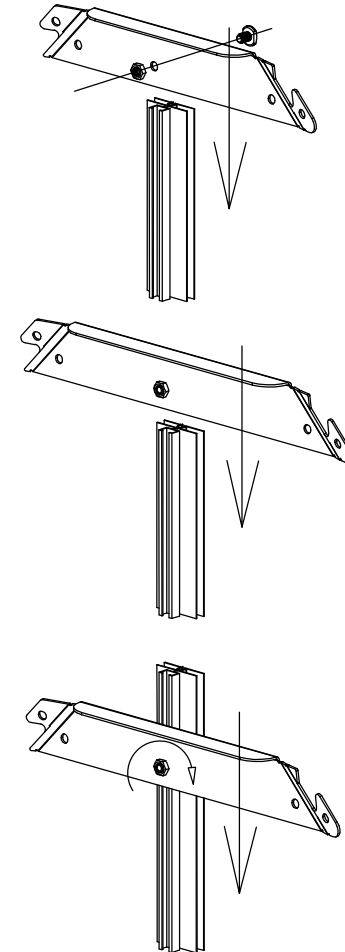
Towards the white film side to the sun as it is UV-protected.

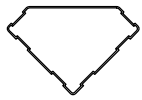
"hexagonal screw" installation

Place the "hexagonal screw" into the groove, turn clockwise until it stops turning.

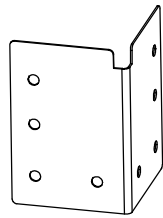
Adjust the "hexagonal screw" by hand and twist so threads fix it in place.

Place other parts on "screw" and assemble nut .

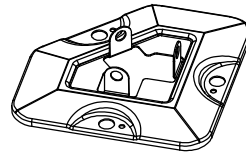




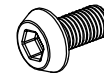
1 x4



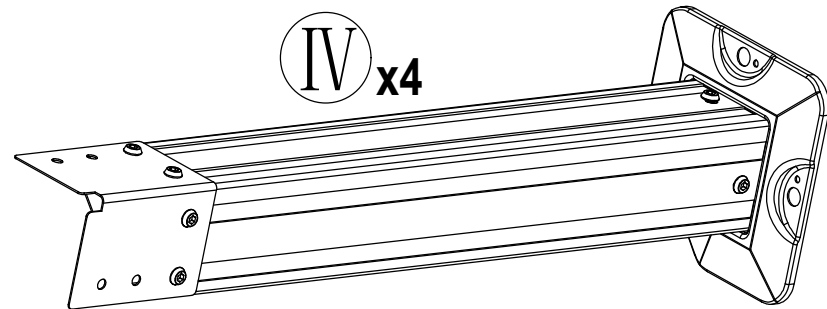
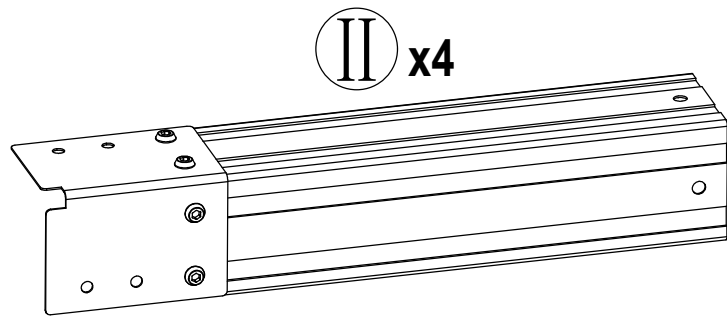
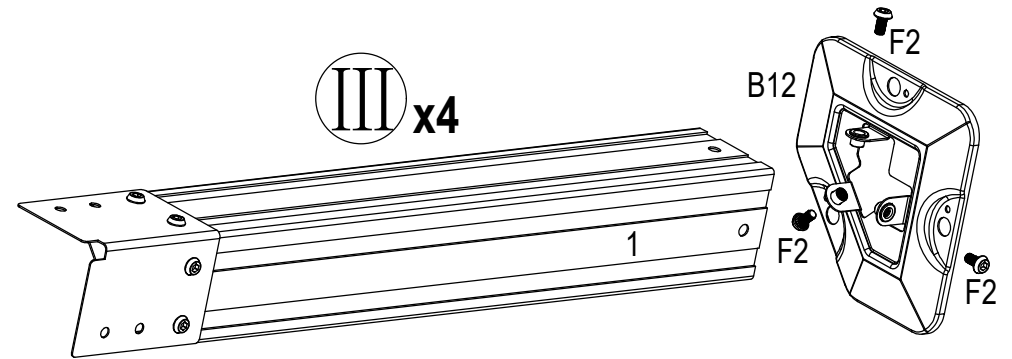
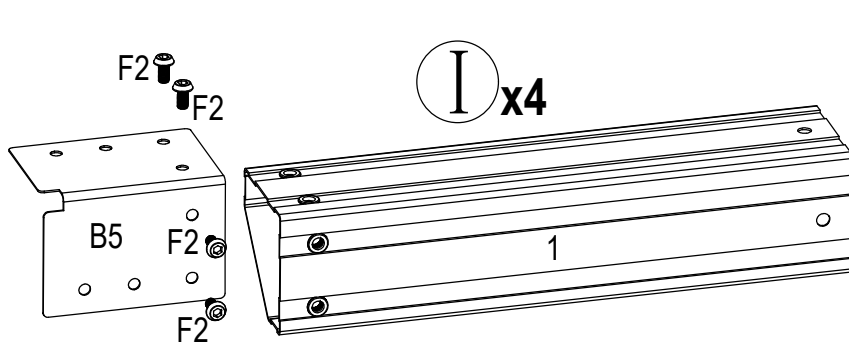
B5 x4

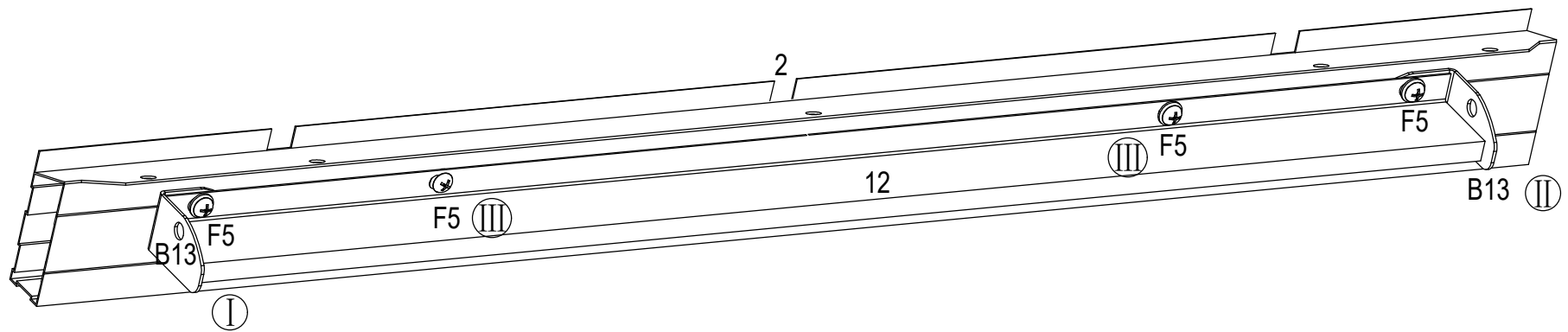
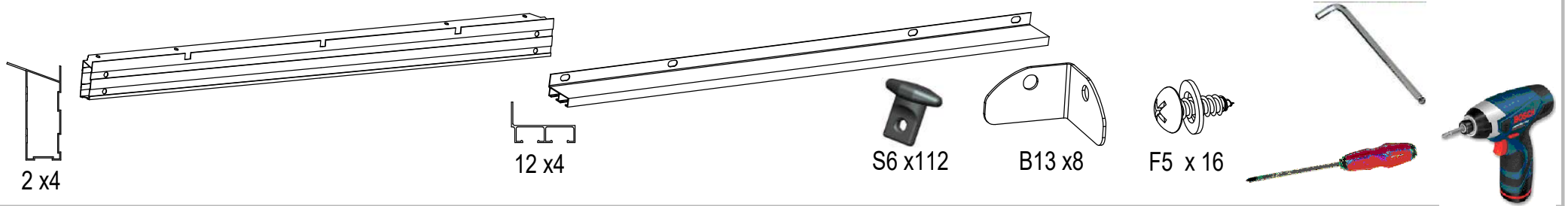


B12 x4

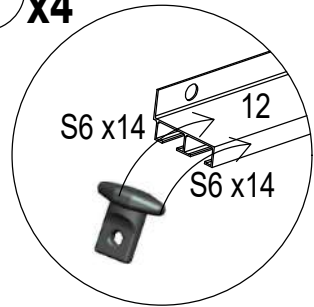


F2 x28

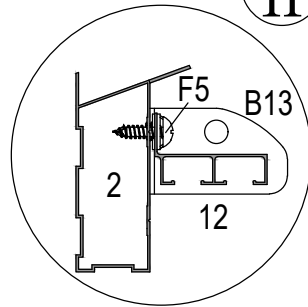




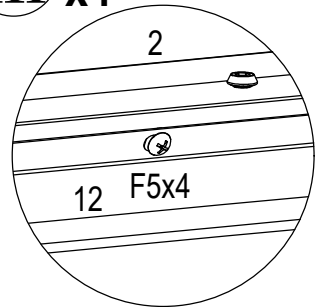
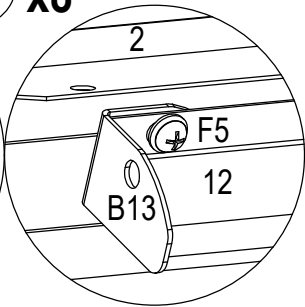
I x4

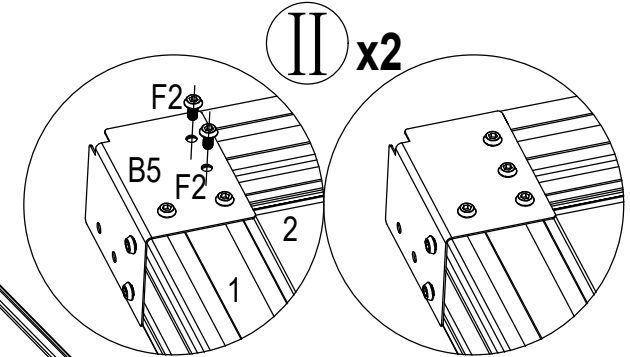
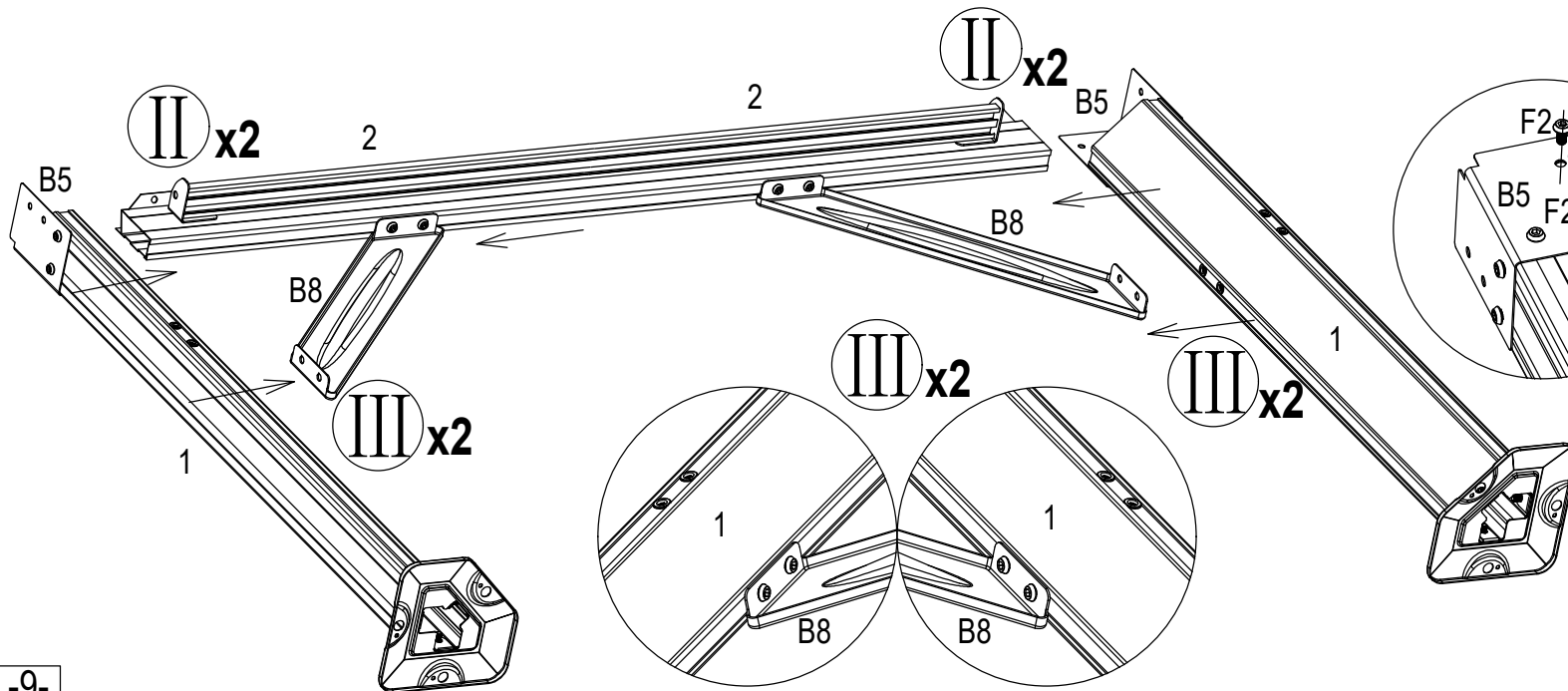
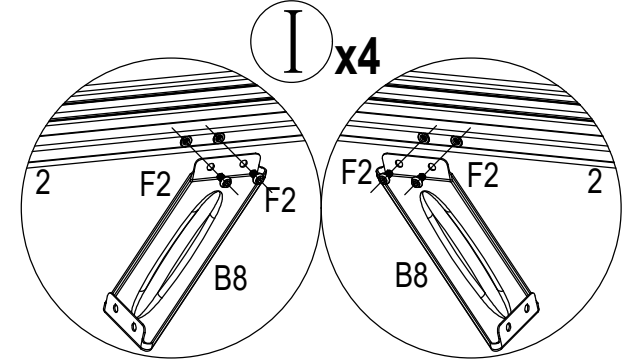
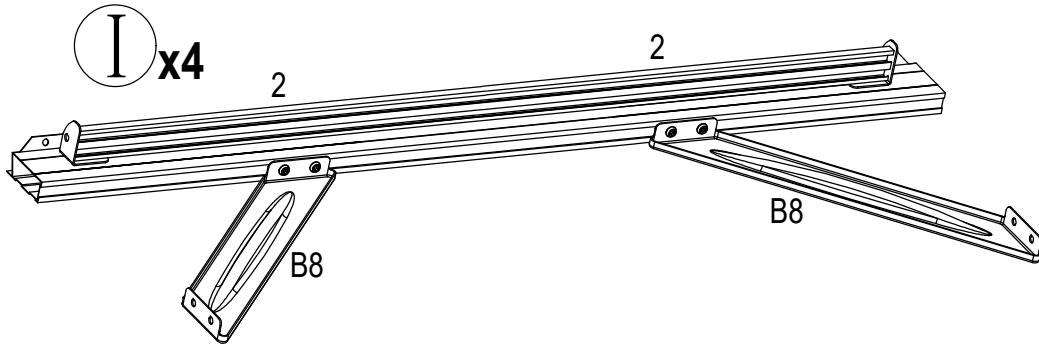
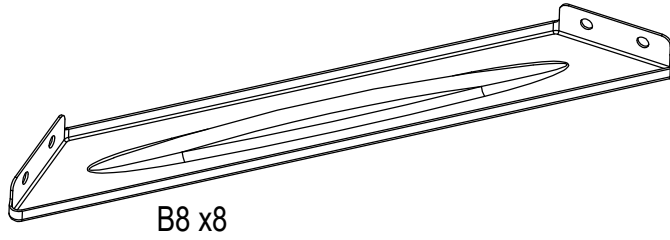


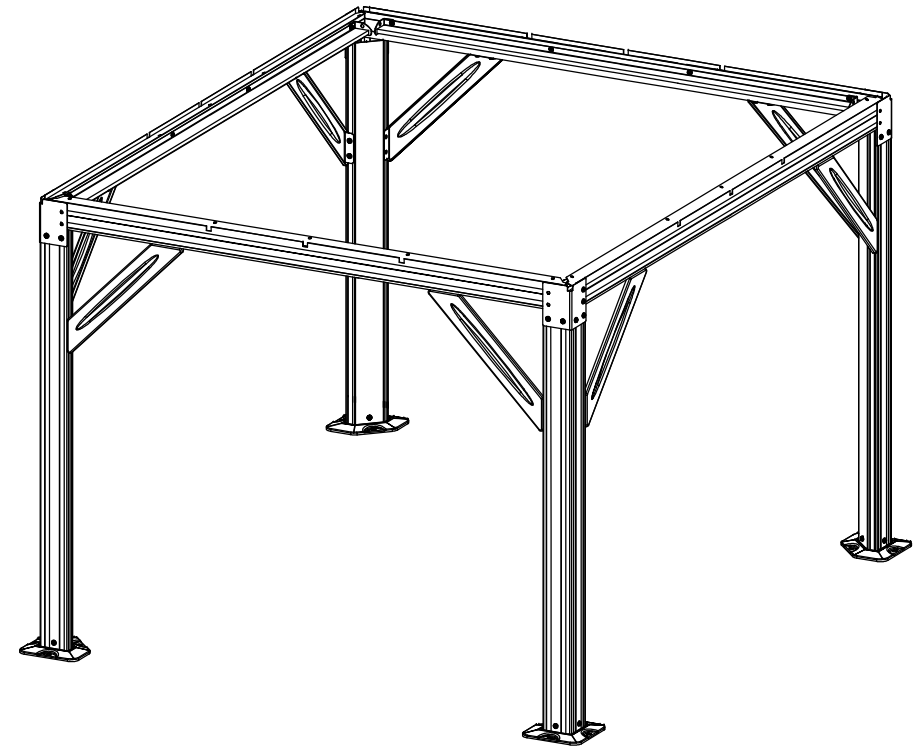
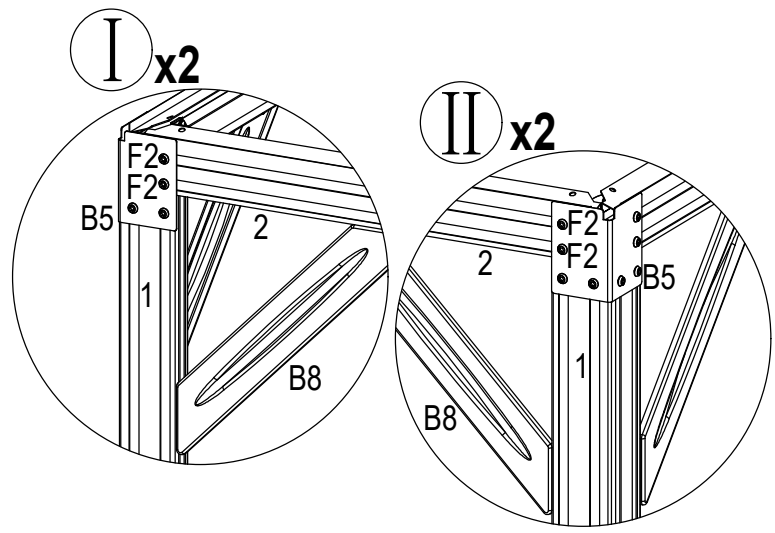
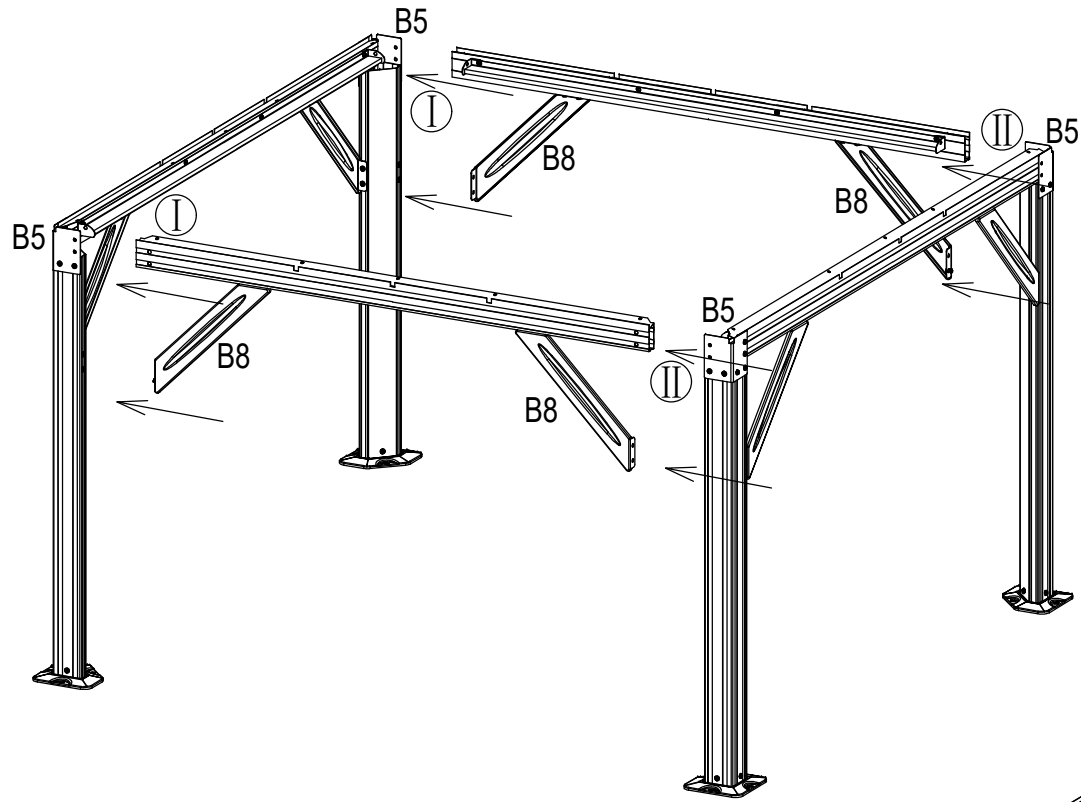
II x8

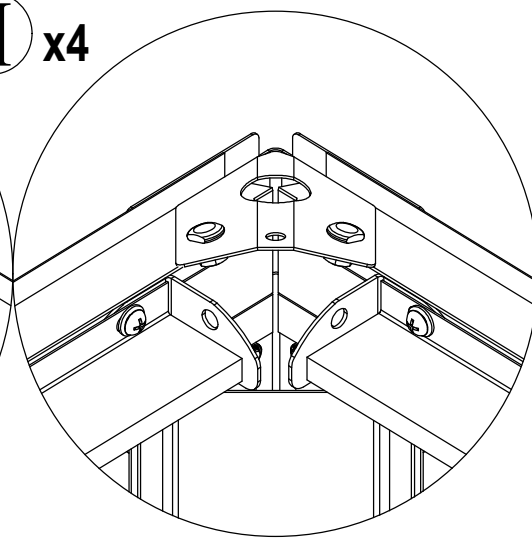
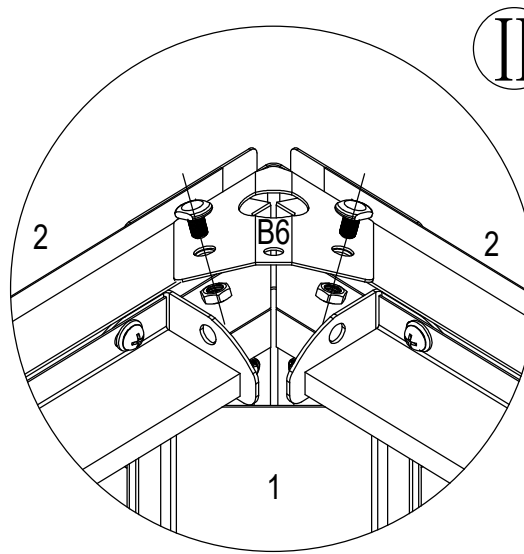
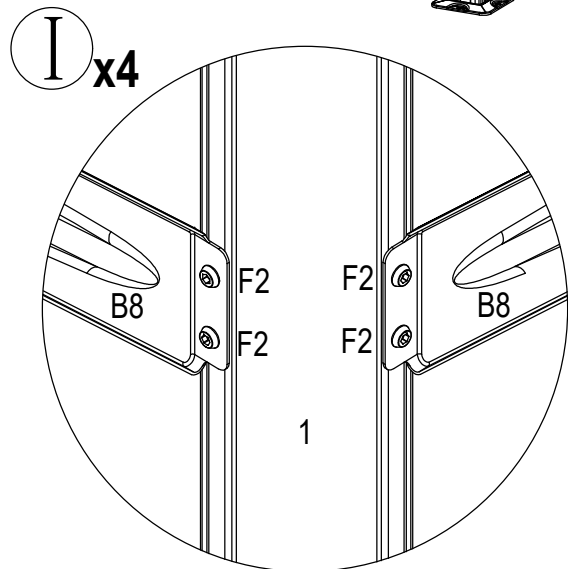
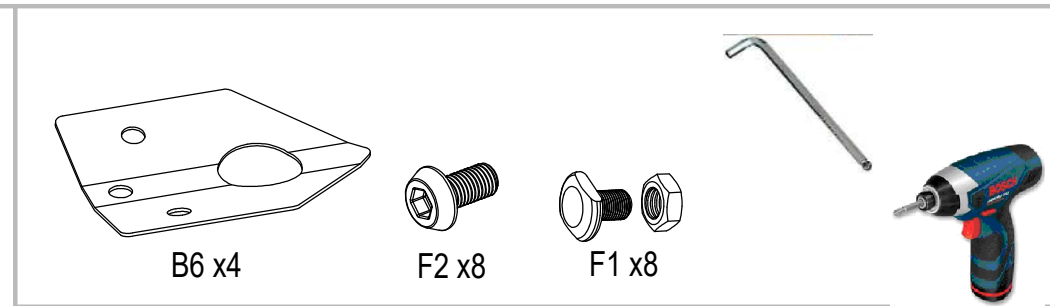
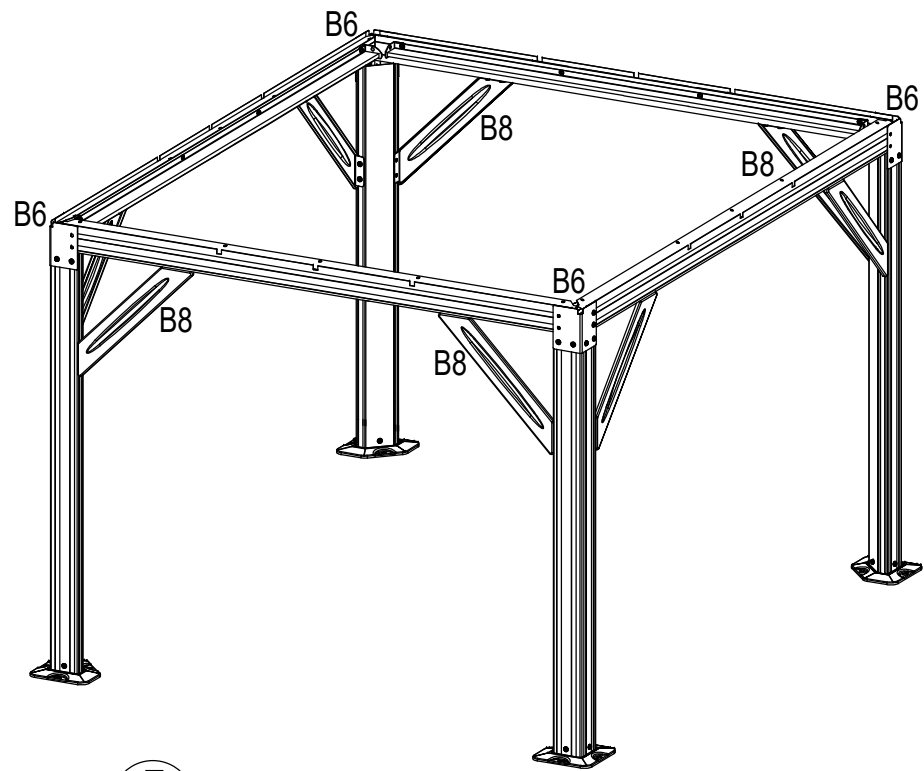


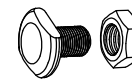
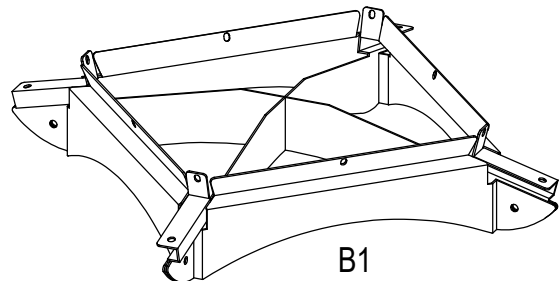
III x4



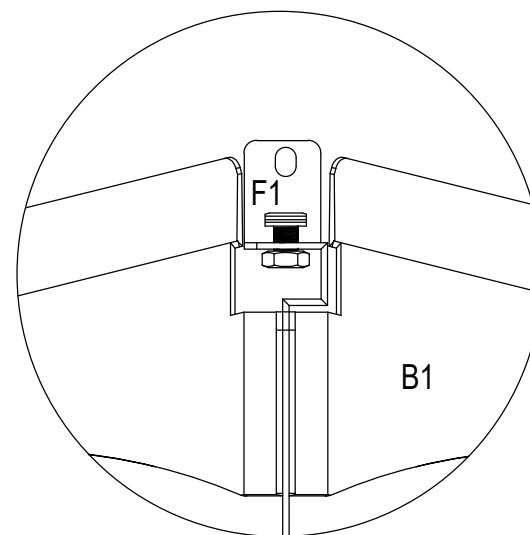
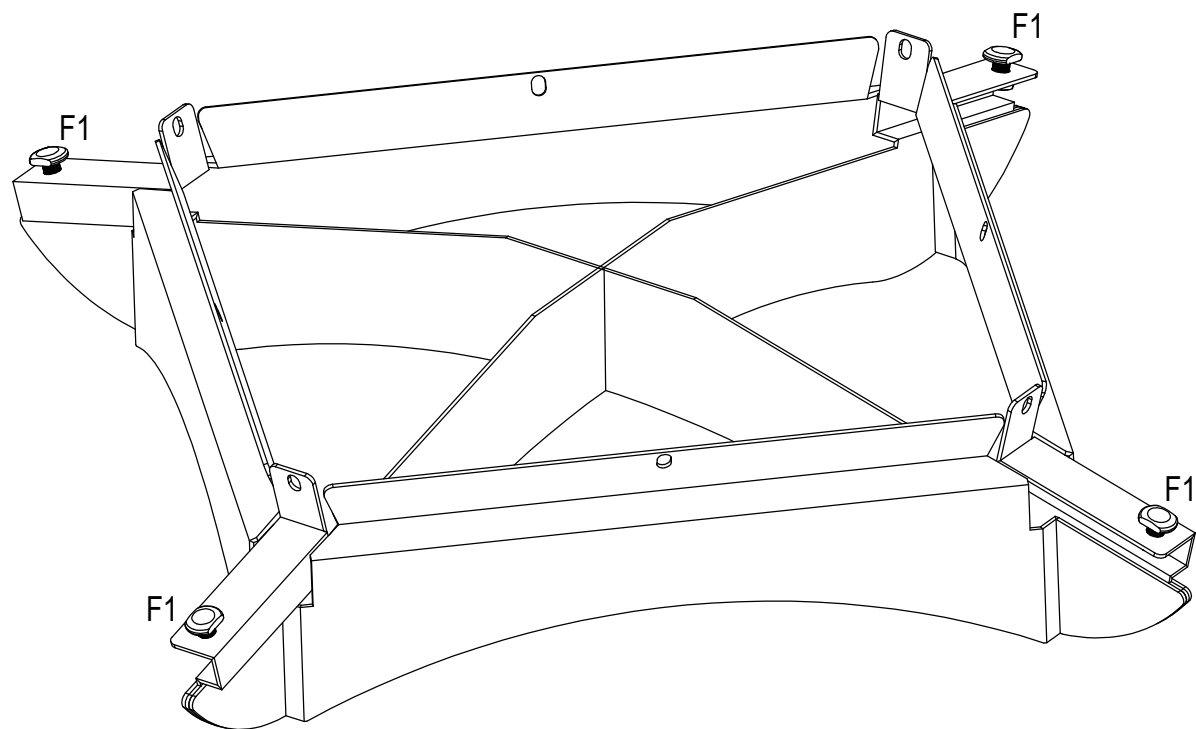




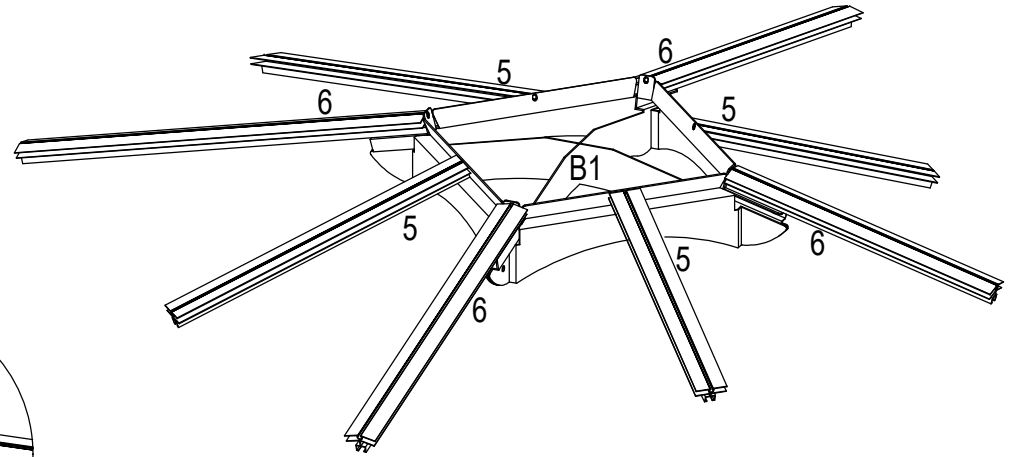
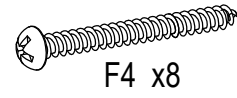
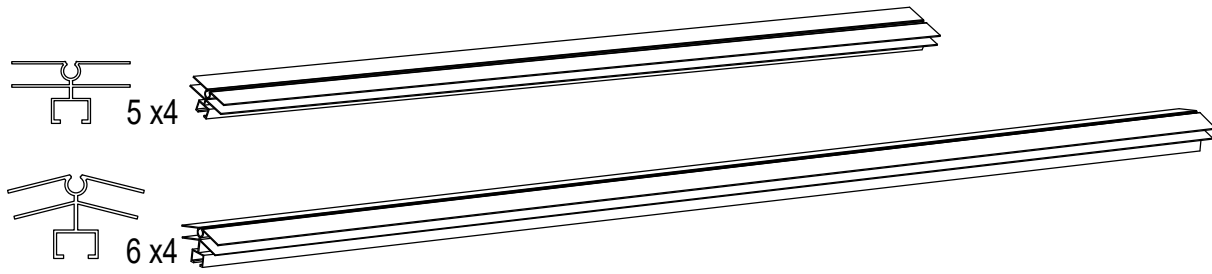




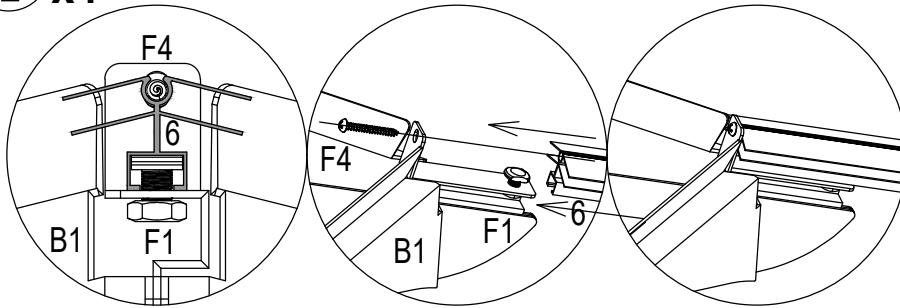
F1 x4



F1, no need tighten.

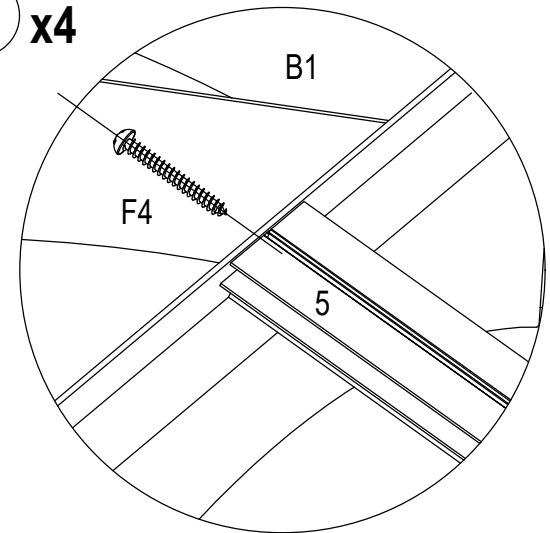


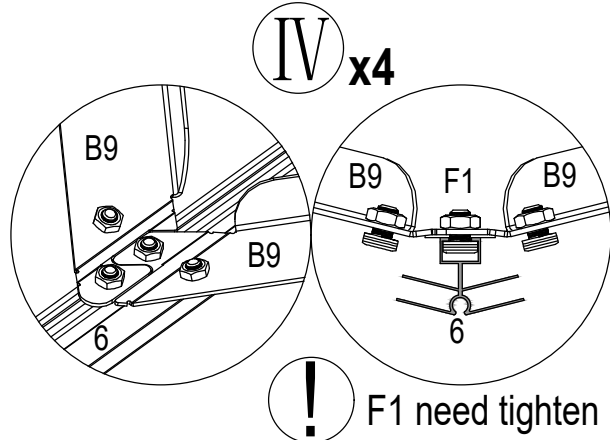
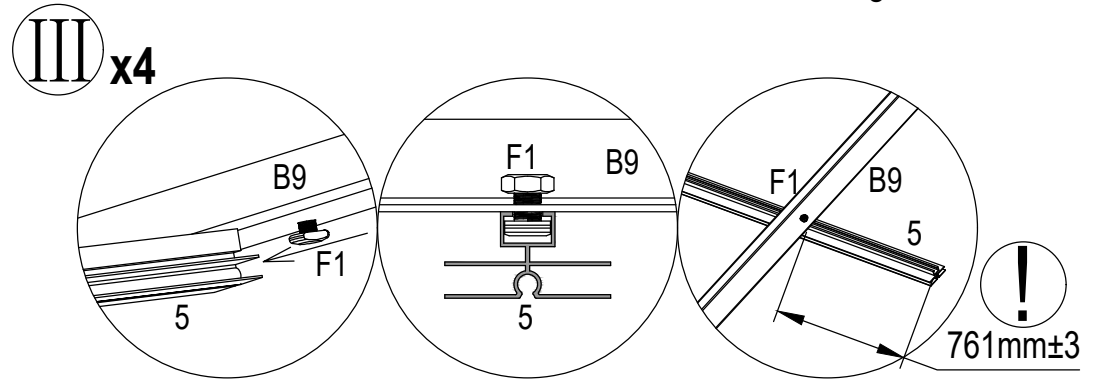
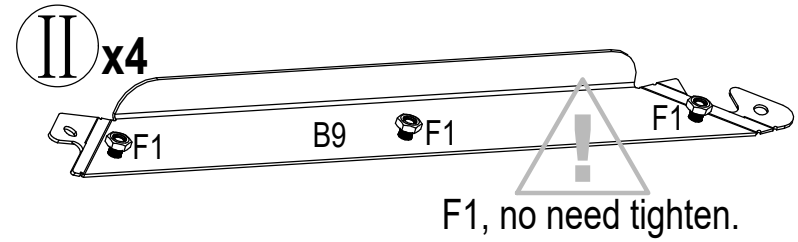
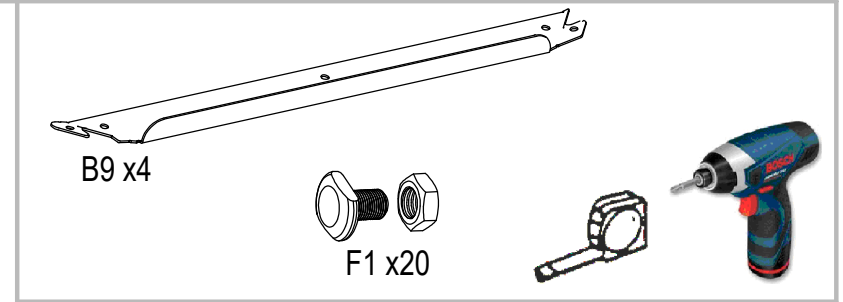
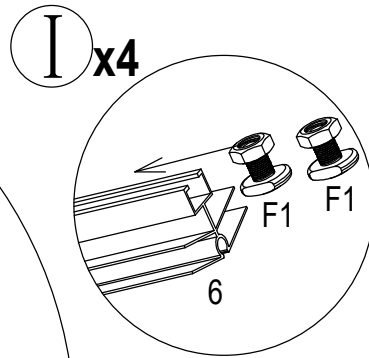
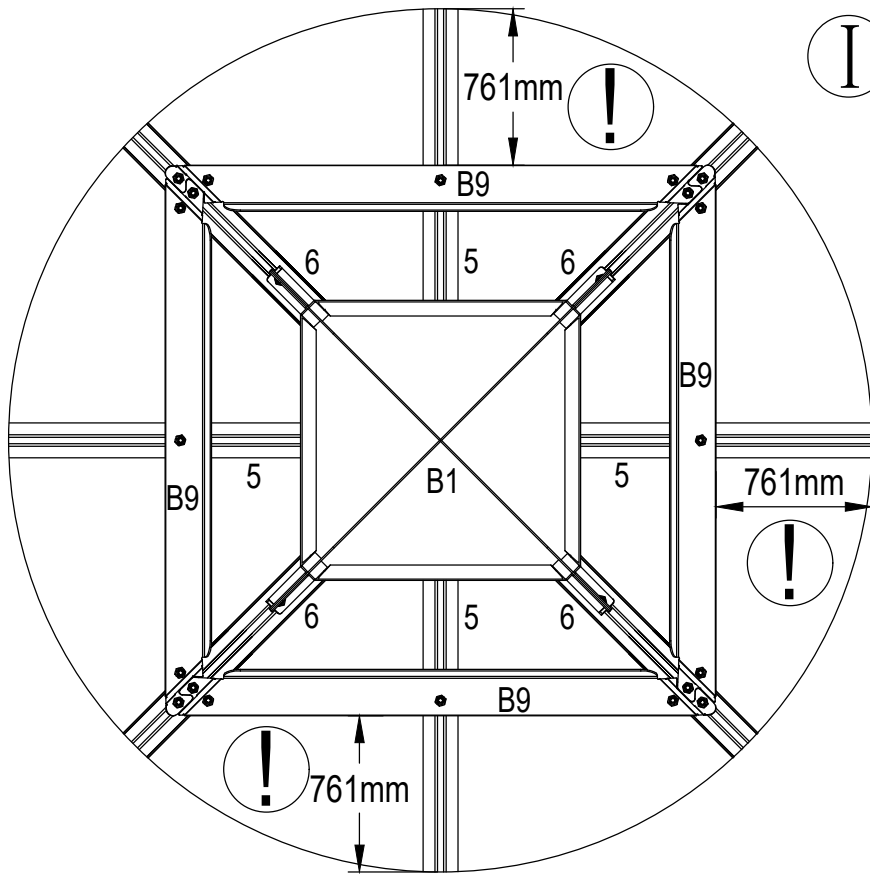
I x4

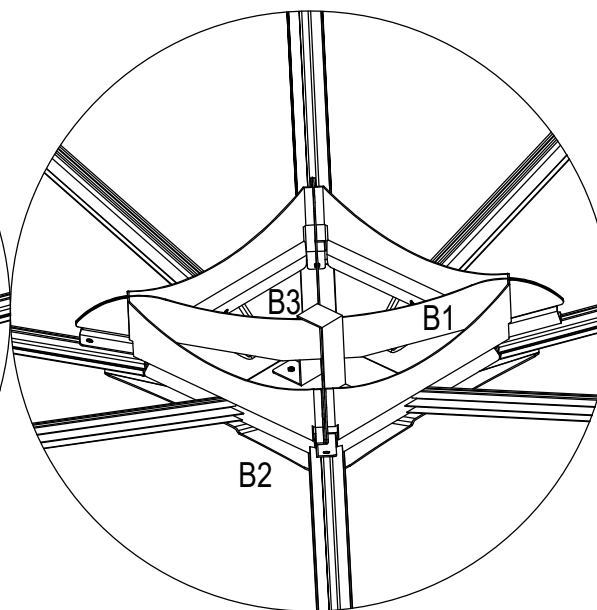
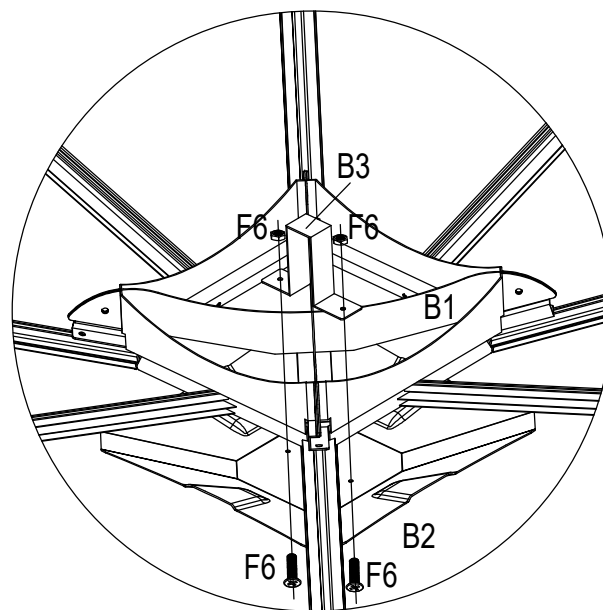
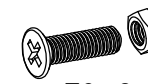
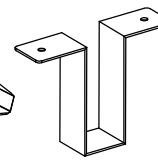
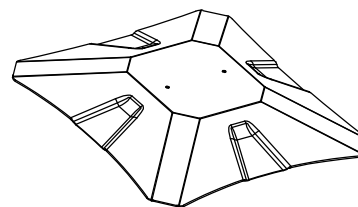
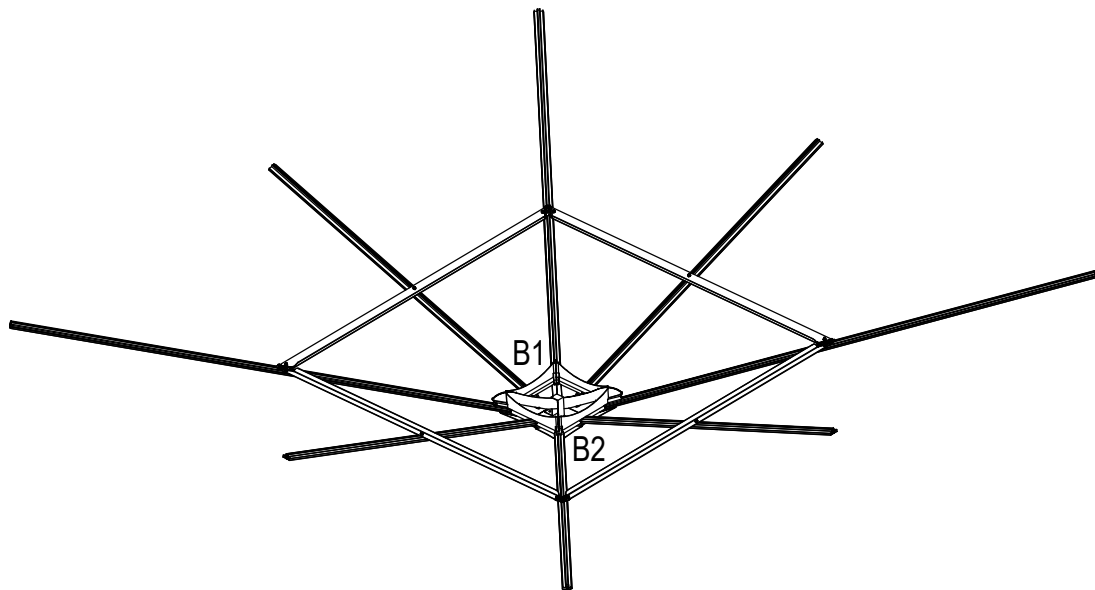


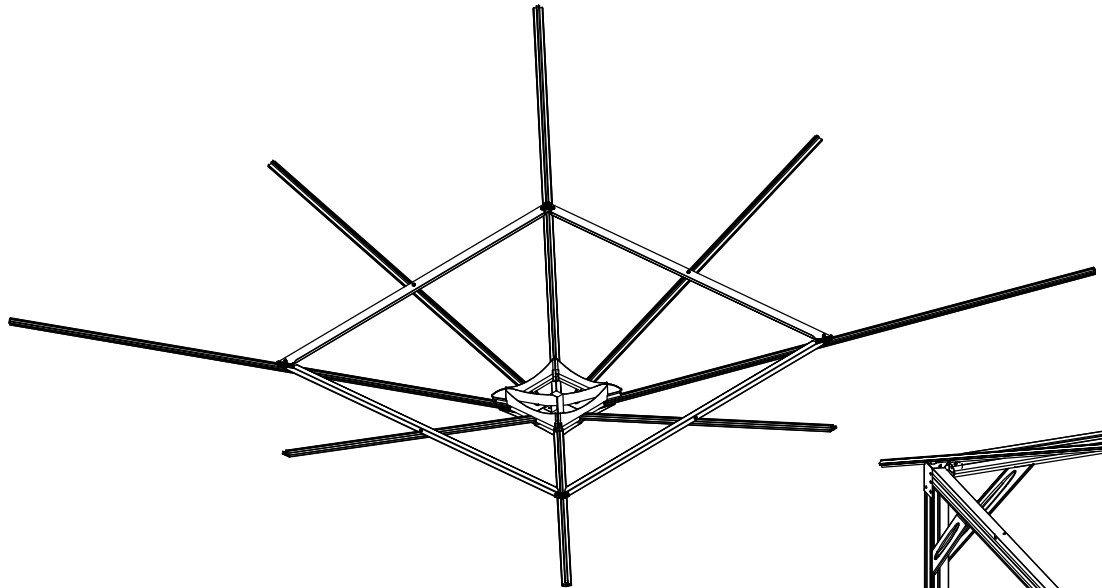
! F4 and F1 need tighten

II x4





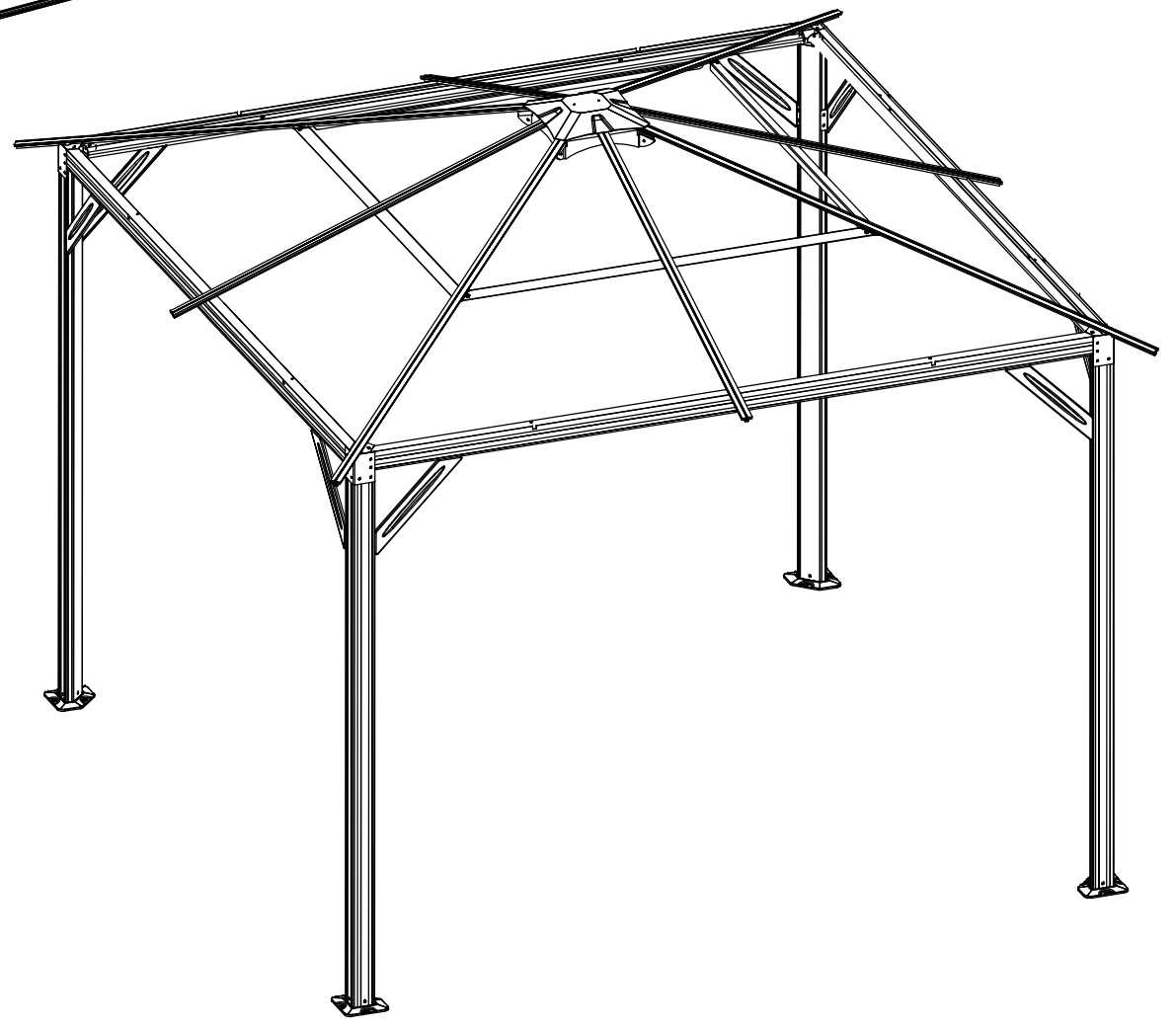


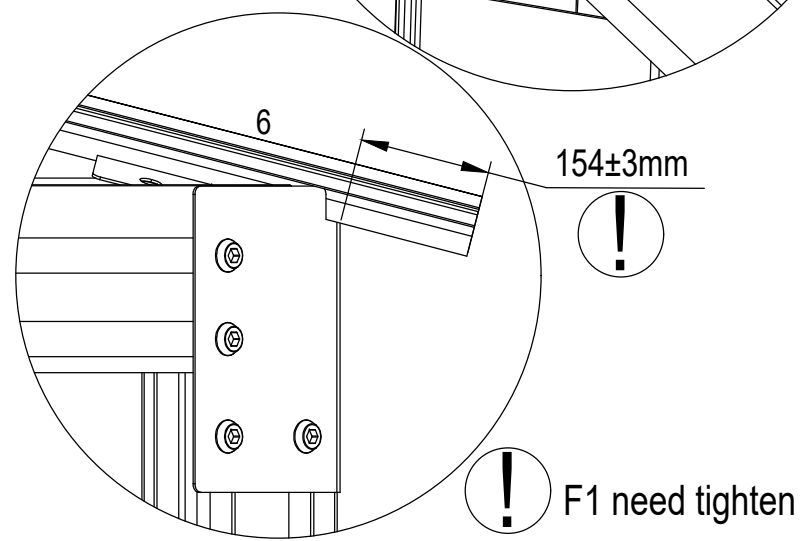
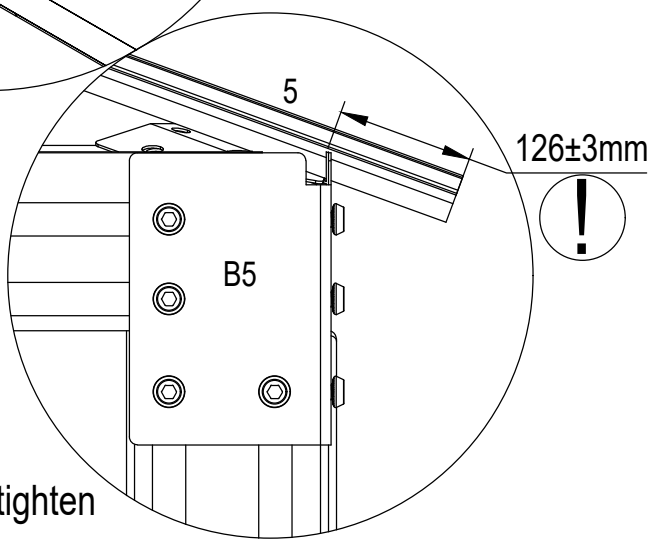
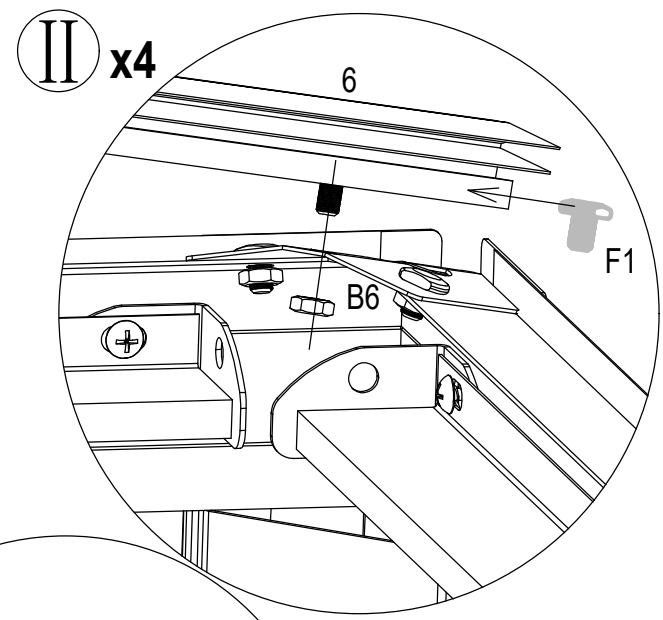
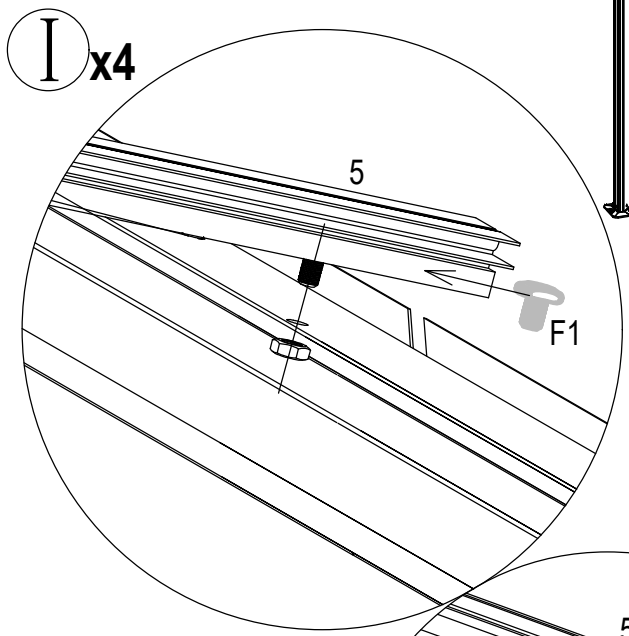
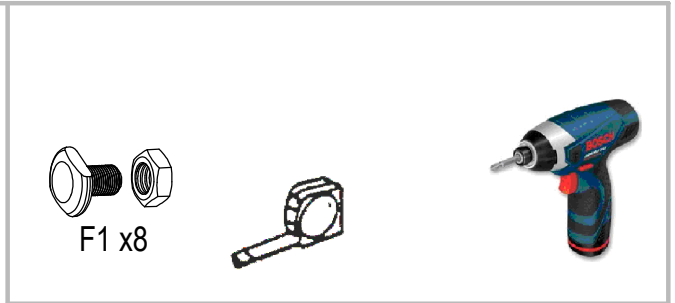
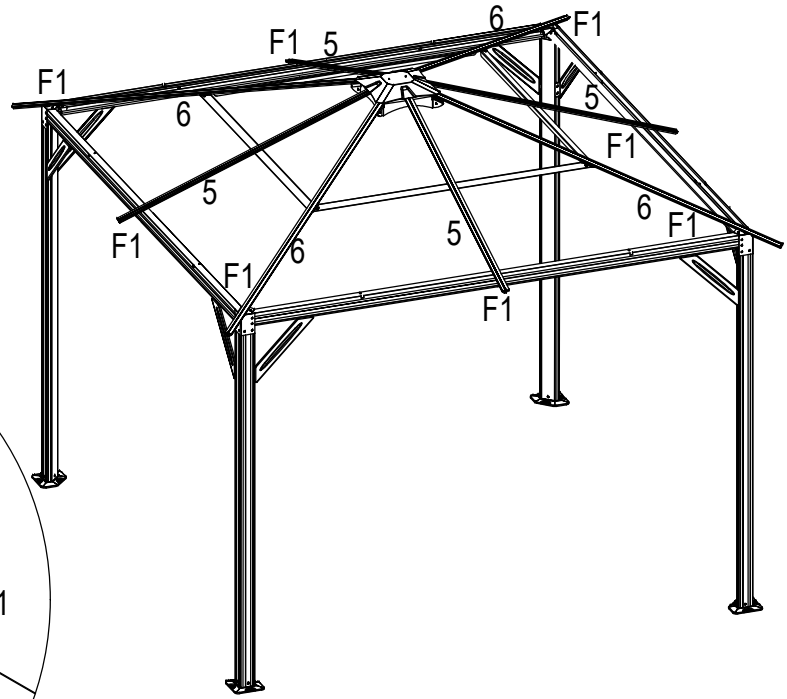


2 People required



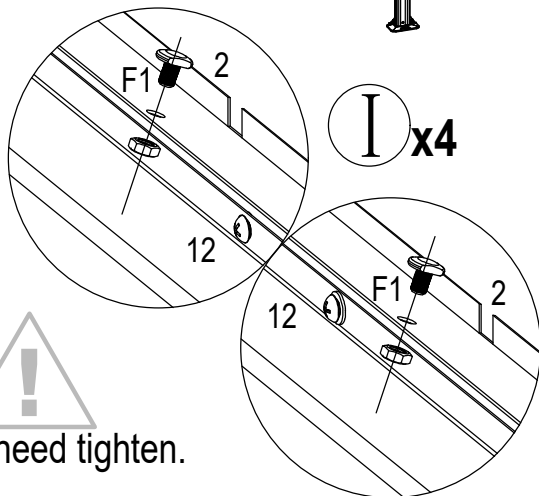
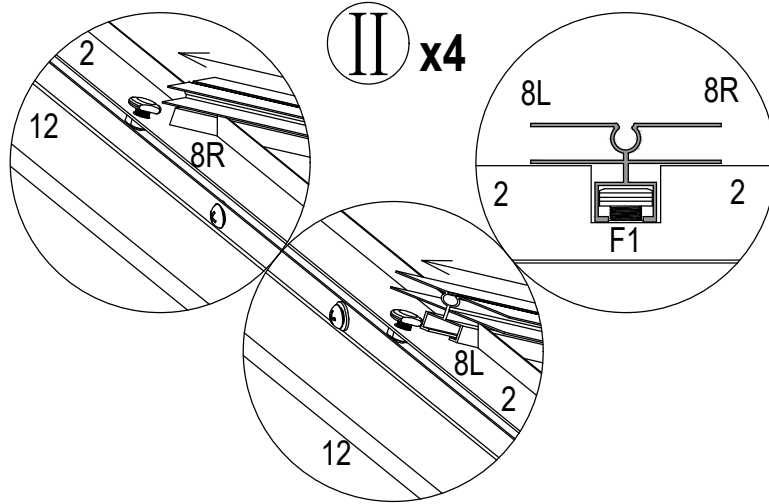
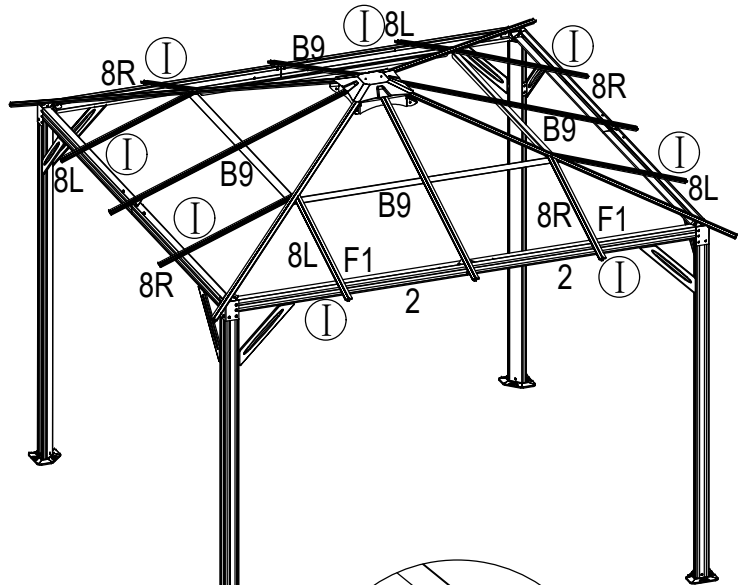
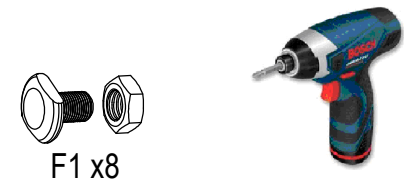
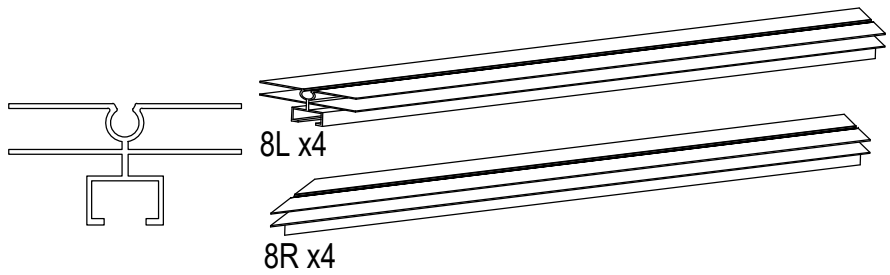
180°



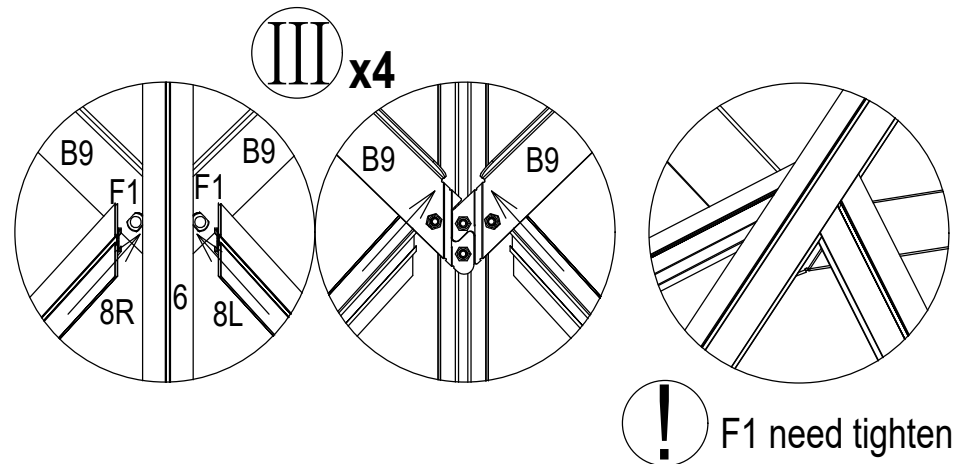


! F1 need tighten

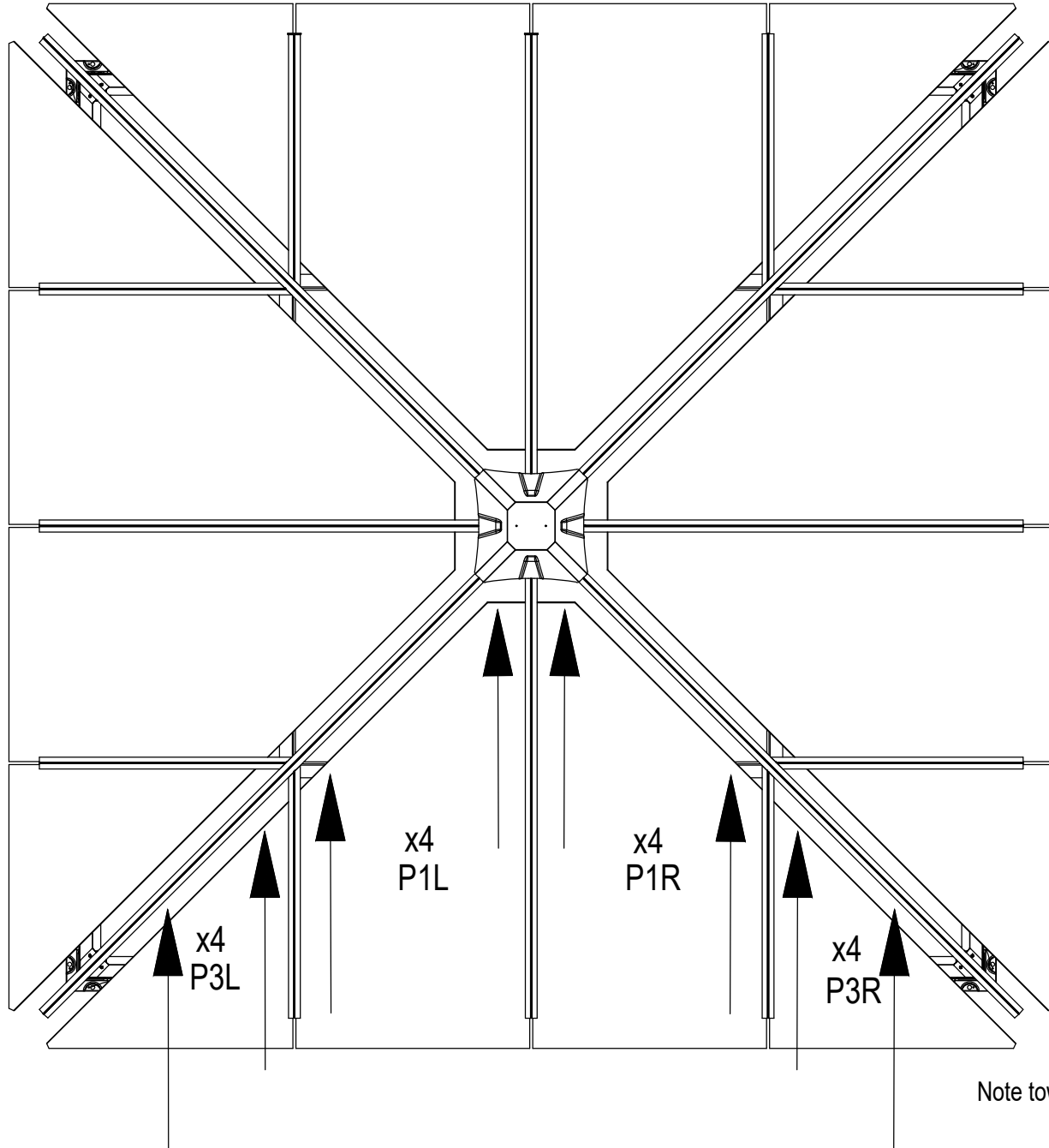
! F1 need tighten



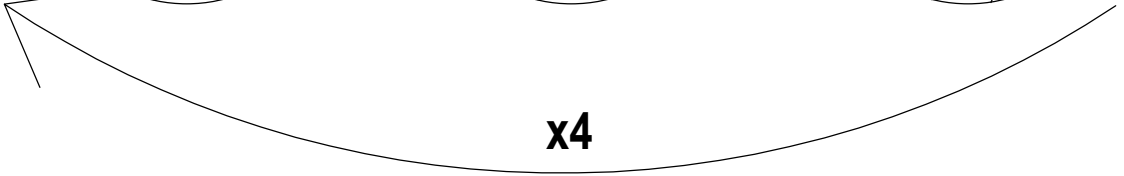
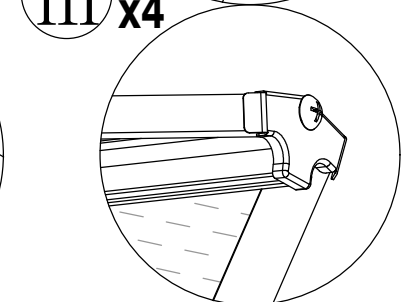
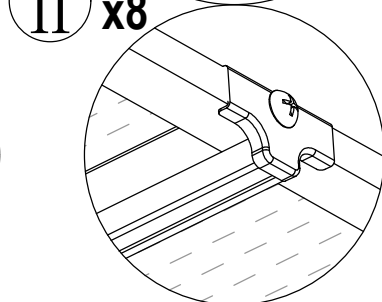
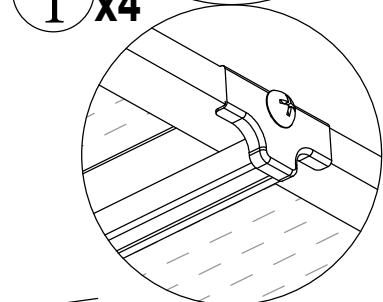
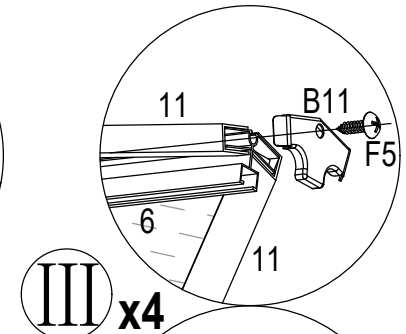
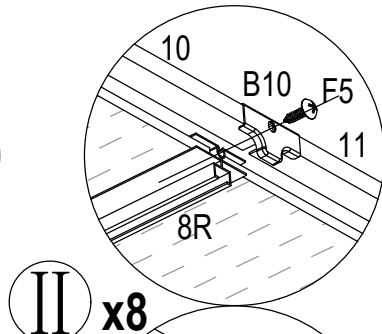
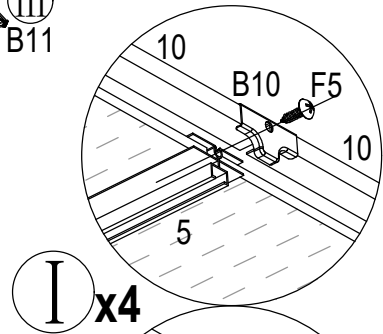
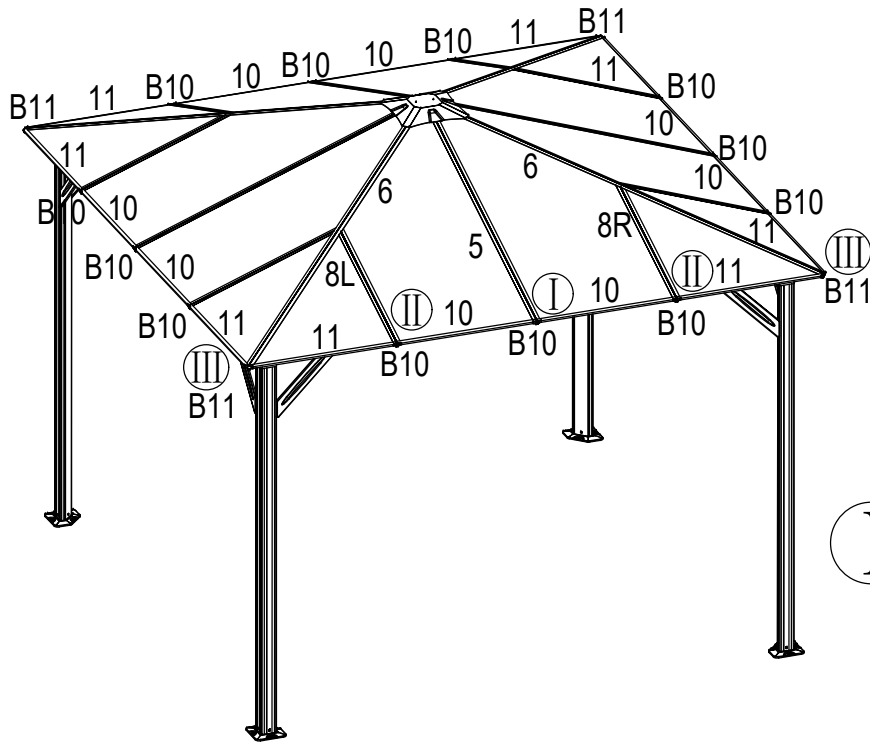
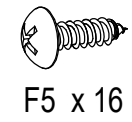
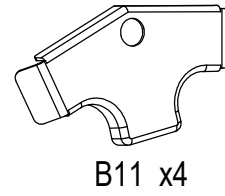
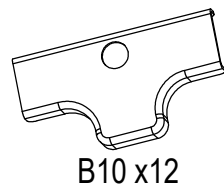
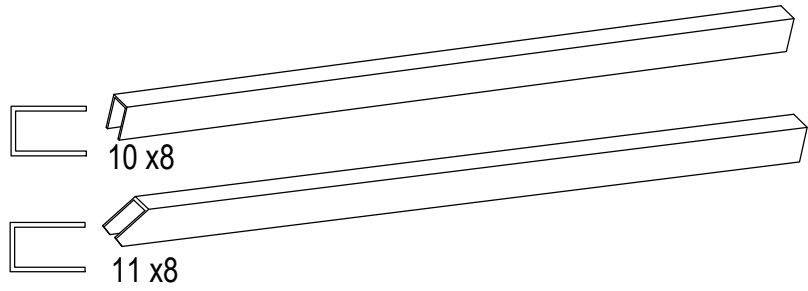
F1, no need tighten.

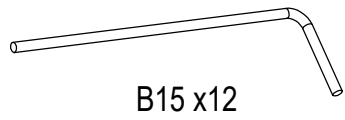


! F1 need tighten

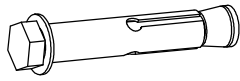


Note toward the UV surface to the Sun.





B15 x12



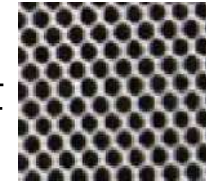
F3 x12



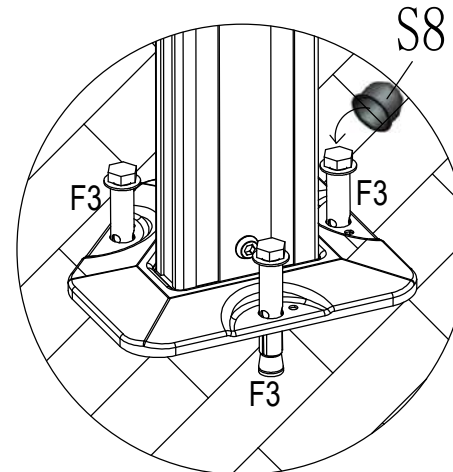
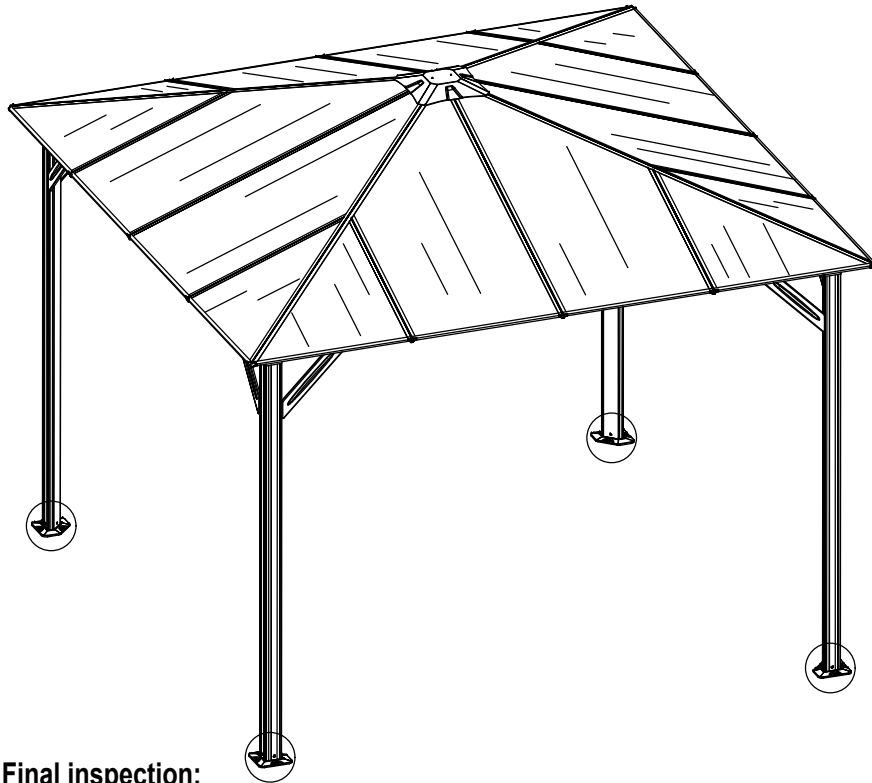
S8 x12



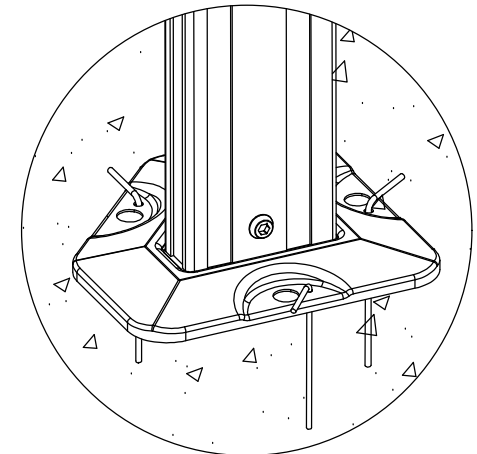
x4



x4



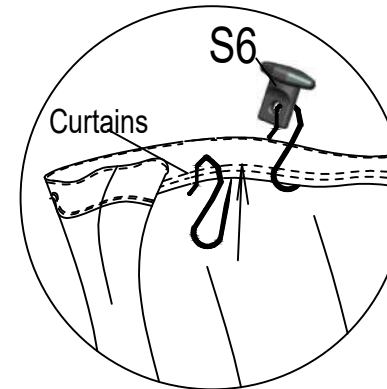
Prison ground



Soft ground

Final inspection:

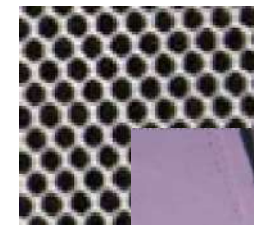
1. With a wooden hammer tap No. 2, Listen to whether there are noise or not, If have compact murmurs that means there have some components are not installed, then repaired. Tapping on NO.2 with a wooden hammer tightly, any noise mean not-compact installed, please repaired
2. Keep 2 vertical to the ground, please adjust vertically if not.
3. Tighten all screws



Curtains

S6

! Inside



x4



x4

Outside

Maintenance:

In a timely manner the centralizer skeleton.

1.If the ground not level off, loose soil layer thickness is differ, wall shed may tilt to one end, once found, should be timely the centralizer, in case of deformation.

The shed may be slant when facing the un-level ground or loose soil layer, please righting the shed urgently to avoid deformation

2.Prevent increased loading-weight artificially.

Don't let any lentils, towel gourd, pumpkin and climbing fruits and vegetables to grow up on the canopy, otherwise if it is windy and rainy, skeleton is unbearable, and easy to cause skeleton crack, broken, collapse Avoid kinds of vine plant climbing on the canopy, or it can not bearing for the wind and heavy rain, broken,collapse may accured.

The sunshine board maintenance:

1.In the using canopy, note do not use sharp objects collision films, avoid to cut films. Be careful not collide with a sharp object films,in order to avoid scratched films when using.

2.If films appear rupture, can use glue to repair or repair with transparent tape. Available polyurethane adhesive for repairing. Often keep the films clean, generally the PC sheet replacement using 3~ 5 years later, so as not to affect the light transmittance. Using transparent tape adhesive to patch cracks of film when any broken in case .Keep clean films,it will better replaced by new panels after 3~ 5 years to avoid affect the Light transmittance

3.The flame retardant in polycarbonate material, but still need to stay away from fire, avoid softening deformation.

As Polycarbonate is fire-retardant materials, please stay away from the fire ,to avoid softening deformation.

Frame maintenance:

1.The frame is aluminum alloy structure, if there is a white problem can wipe with a cloth in time, under high temperature and wet environment.

All frames are made of alloy aluminum. White spots may appeared under wet-hot environment, just wipe it.

2.If there is any distortion calibration shall be carried out in a timely manner in order to avoid sunshine board out, If Polycarbonate out of frame, please removed screws. Carried out in accordance with the manual installation steps, and partial restoration.Any distortion calibration shall be carried out in a timely to avoid the sunshine board fall off. Repair work should be according to the IM.

3.If connection piece serious rust, should change in time the new screws and connectors to ensure connection parts are firm

Please replaced the serious rust screws and connection for stable.

How to do in bad weather:

1.If there is lightning may not stay in the shed, because aluminum alloy skeleton is conductive and will be caused serious consequences

Do not stay under shed when lightning.

2.Wind power reaches 70 km/h should be prepared ready to defense equipment, fixed wall shed. Fixed method with a strong rope or cable connect the cornice work four Angle of anchor block inserted into the soil or tied in a nearby tree stem > 10 cm in diameter. Pay attention to the weather turns good dismantled after the rope or cable to avoid injury and pedestrian.

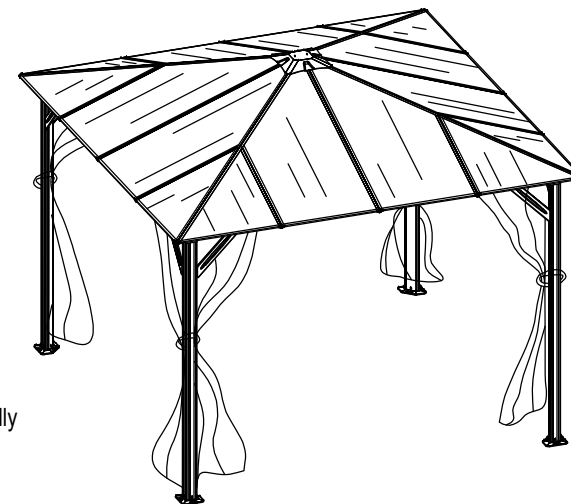
Please get defensive measures when facing heavy wind (abt 70km/H). Reinforce by steel rope and anchors which insert into ground or Strapping on a big tree

3.Clear in time at the top of the deciduous leaves led to the decrease of the canopy transparency, heat preservation effect is reduced

To avoid greenhouses reduced transparency, heat preservation effect is reduced, please clean up the leaves at the top.

4.During snow, removal work in time, if not timely to snow removal, Use solid wooden plate supporting internal intermediate point and middle position of polycarbonate, prevent snow collapsing the wall shed.

To prevent collapsing by snow, please remove the snow in time,Or support by a wooden stick support in the center of the sunshine board for reinforcement



DANCOVER[®]

.com

Contact information

Head office:

Dancover A/S
Nordre Strandvej 119 G
3150 Hellebæk
Denmark

For more information
please visit:
www.dancovershop.com

National contact

Denmark: 70 26 76 20
denmark@dancover.com

UK: 020 8099 7570
uk@dancover.com

Germany: 041 0266 7040
germany@dancover.com

France: 0975 181 800
france@dancover.com

Sweden: 040 233 262
sverige@dancover.com

Finland: 0 931 581 720
suomi@dancover.com

Poland: 22 300 8602
polska@dancover.com

Luxembourg: +49 041 0266 7040
luxembourg@dancover.com

Portugal: 308 800 899
portugal@dancover.com

Spain: 911 436 828
espana@dancover.com

Italy: 02 479 21 198
italia@dancover.com

Switzerland: 0840 000125
schweiz@dancover.com

Austria: 0662 626935
austria@dancover.com

Norway: 231 00 690
norge@dancover.com

Nederland: 0 858 880 524
nederland@dancover.com

Ireland: 0 151 33 003
ireland@dancover.com

Belgium: 0 28 08 08 09
belgique@dancover.com