

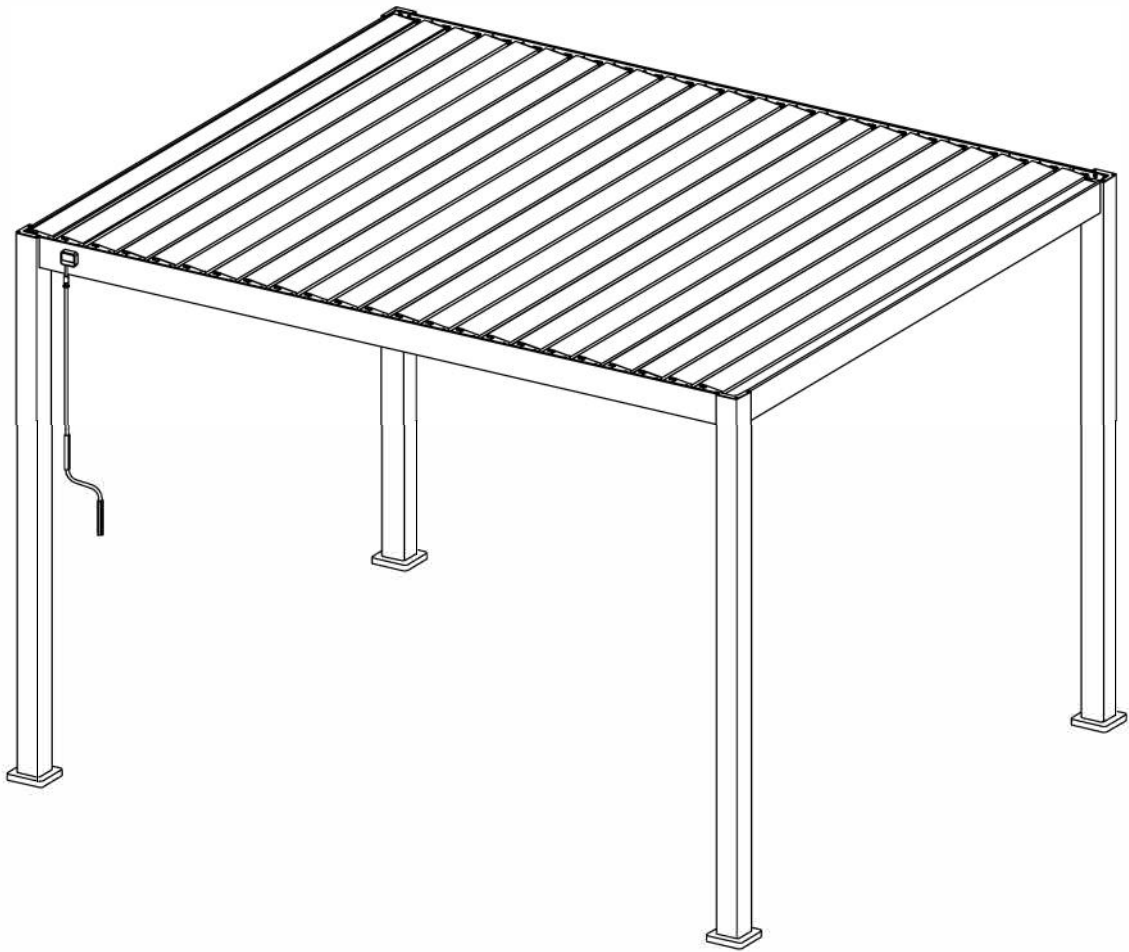
DANCOVER[®]

.com

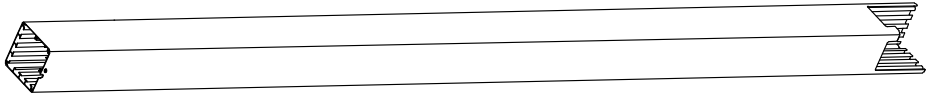
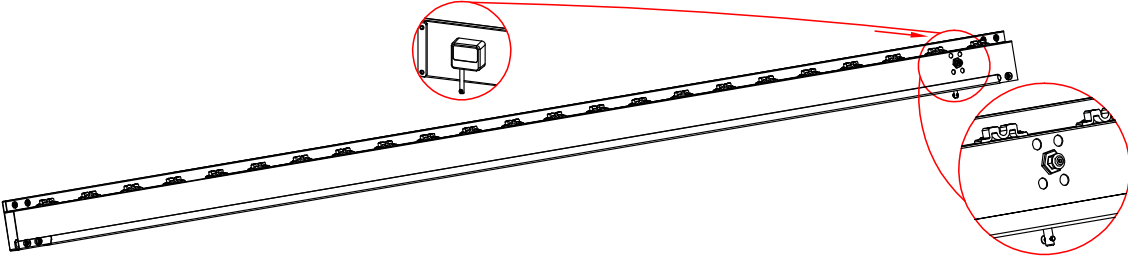
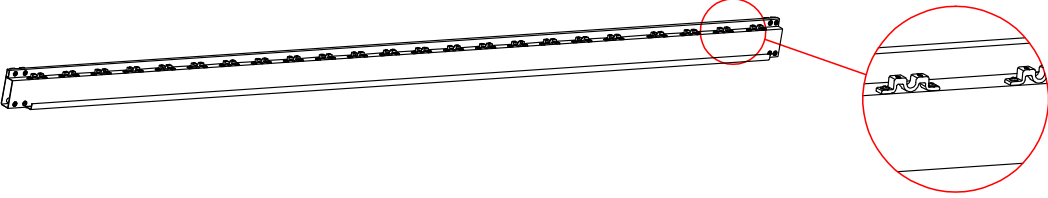
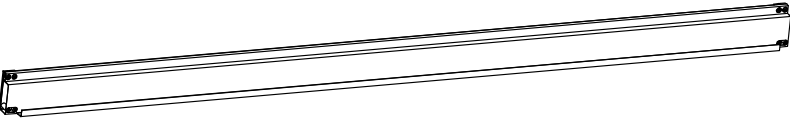
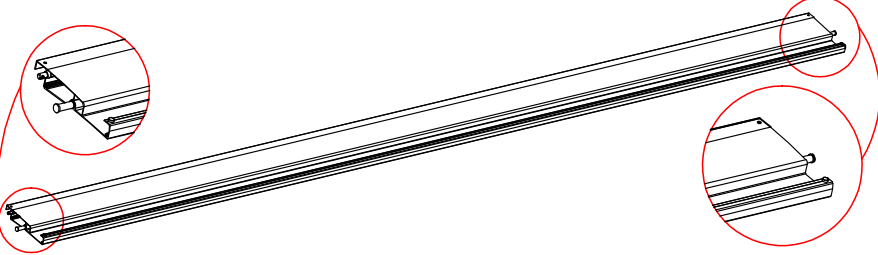
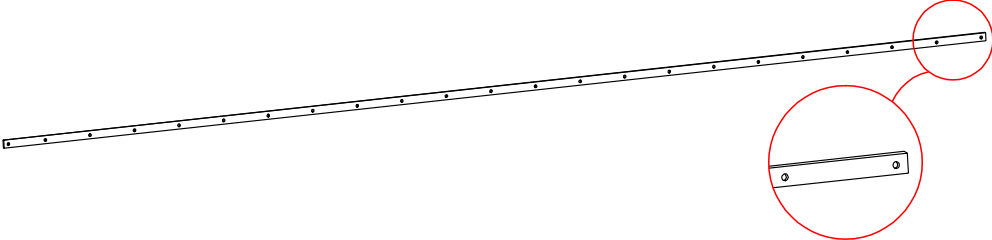

Manual
for
Pergola Gazebo
3x3,6m

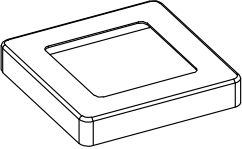
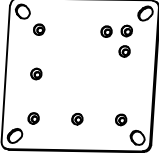
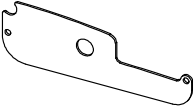
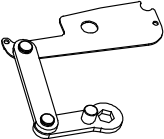
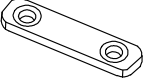
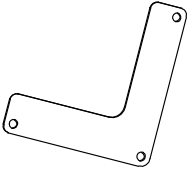
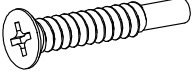
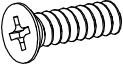

3x3.6m


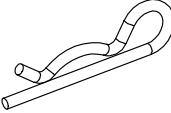
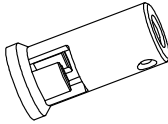
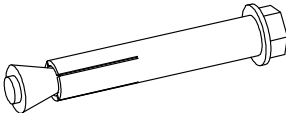

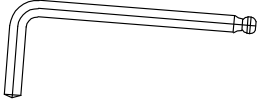
User Manual



	REF	QTY	REF	QTY	REF	QTY
Carton 1/4	(A)	4PCS	(I)	4PCS	(J)	4PCS
	(K)	47PCS	(L)	1PC	(M)	48PCS
	(N)	4PCS	(O)	24PCS	(P)	96PCS
	(Q)	96PCS	(R)	12PCS	(S)	27PCS
					(V)	1PC
	(W)	16PCS	(X)	1PC	(Y)	2PCS
	User Manual	1SET				
Carton 2/4	(B1)	1PC	(B2)	1PC	(C)	2PCS
	(G)	1PC	(H)	1PC		
Carton 3/4	(D)	12PCS				
Carton 4/4	(D)	11PCS				

REF	PICTURE	QTY
A		4PCS
B1		1PC
B2		1PC
C		2PCS
D		23PCS
G		1PC
H		1PC

REF	PICTURE	QTY
I		4PCS
J		4PCS
K		47PCS
L		1PC
M		48PCS
N		4PCS
O		24PCS
P	 M5x12mm	96PCS
Q	 4.2x25mm	96PCS

REF	PICTURE	QTY
R	 5.5x19mm	12PCS
S		27PCS
V		1PC
W		16PCS
X		1PC
Y		2PCS

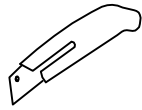
Warning

In snow season or in case of snow forecast open up your shutters in vertical position to avoid any damaging on your pergola.

What you need?



Glove



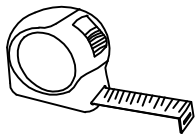
Knife



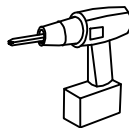
Hammer



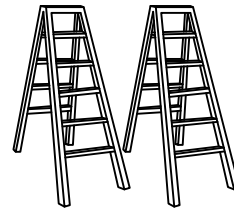
Safety hat



Tapeline

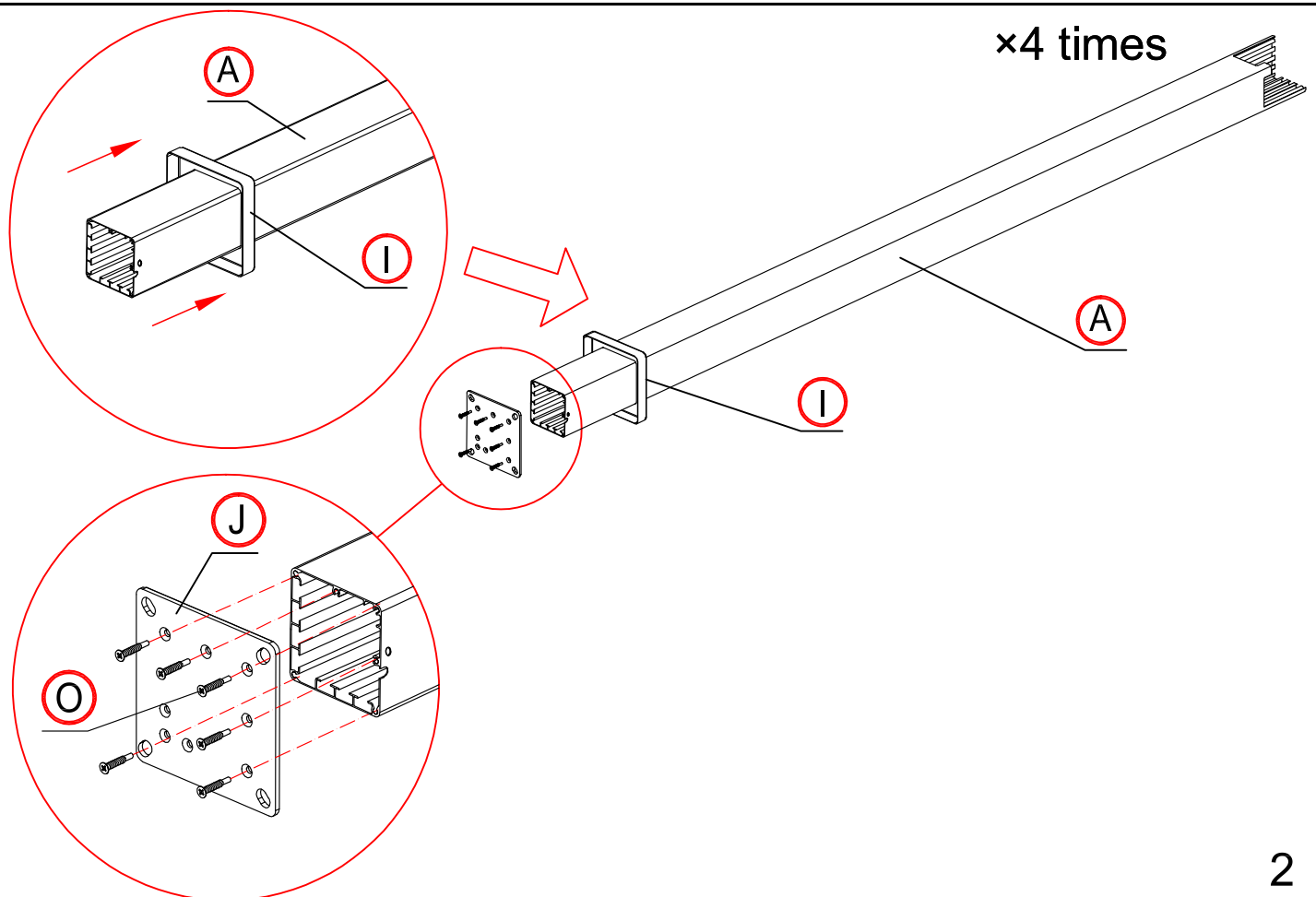


Electric screw driver



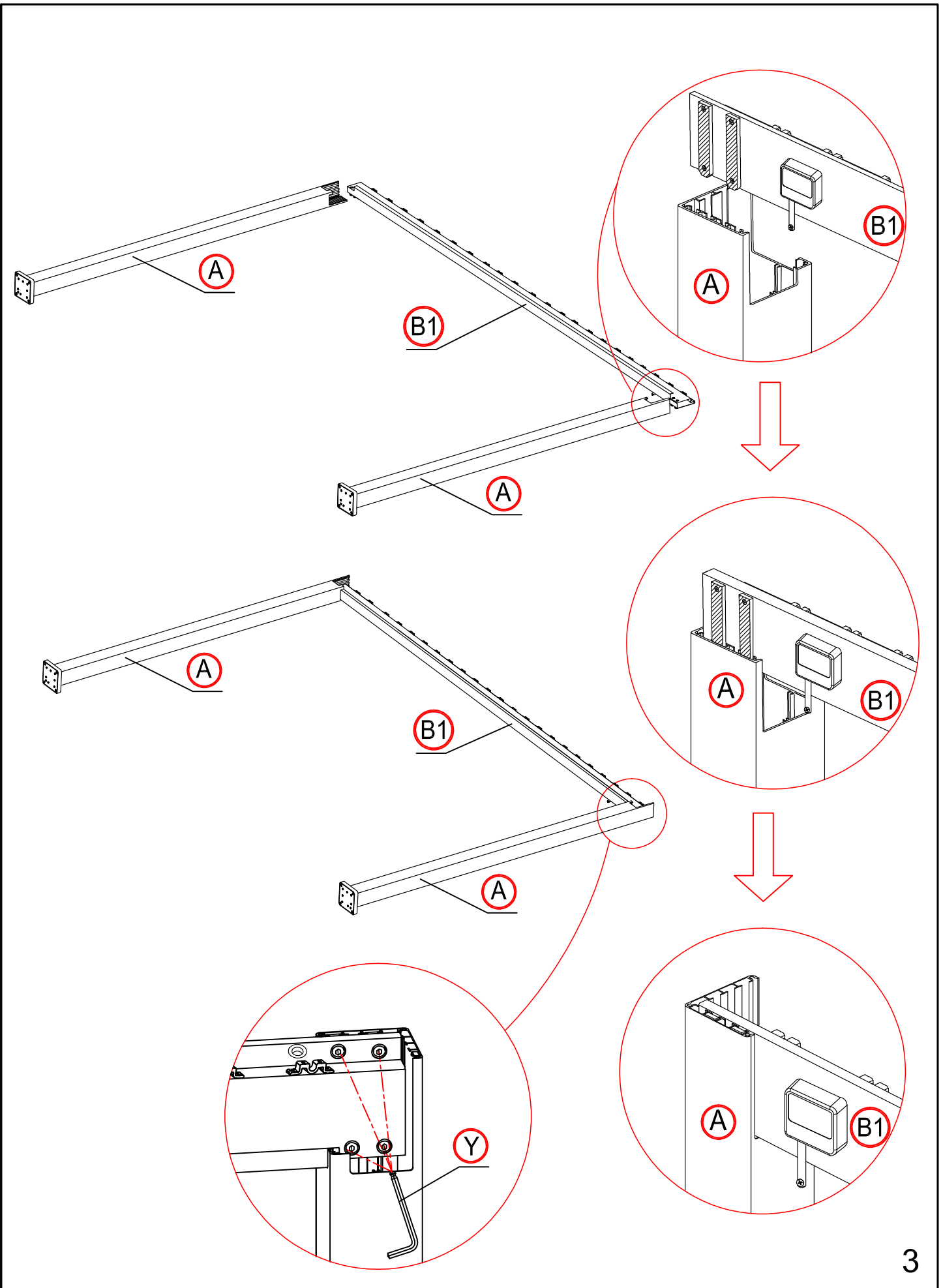
Ladder

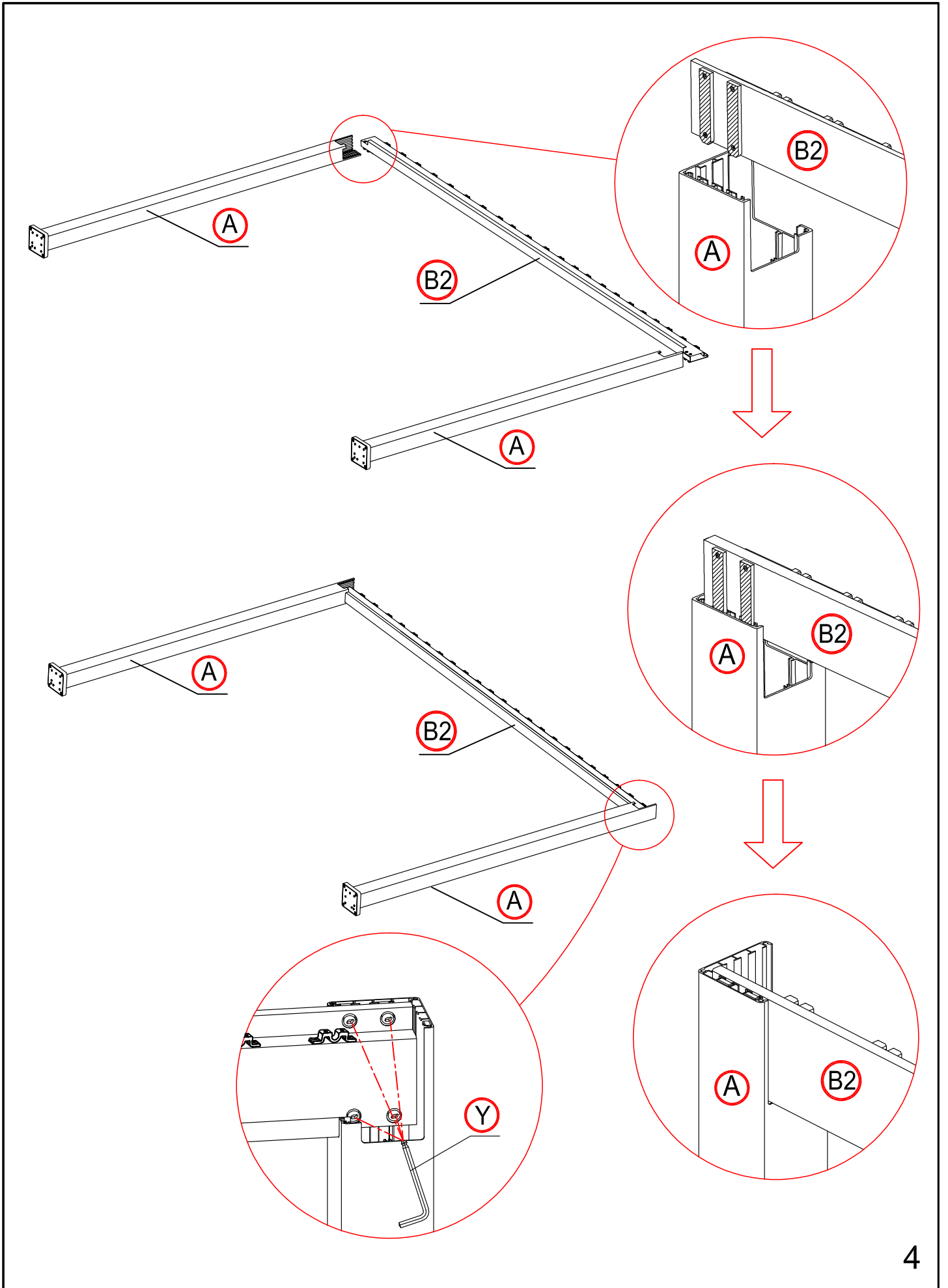
1

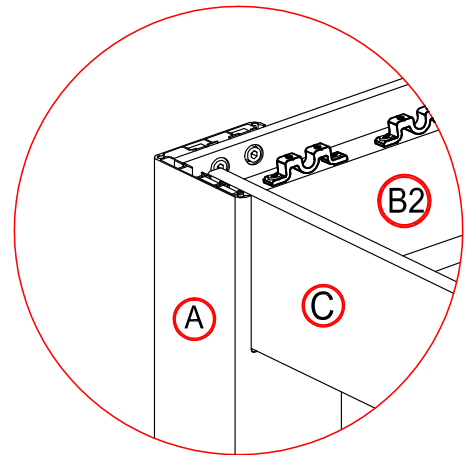
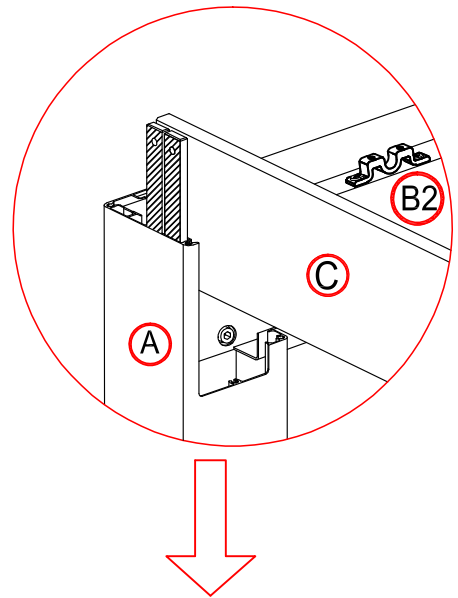
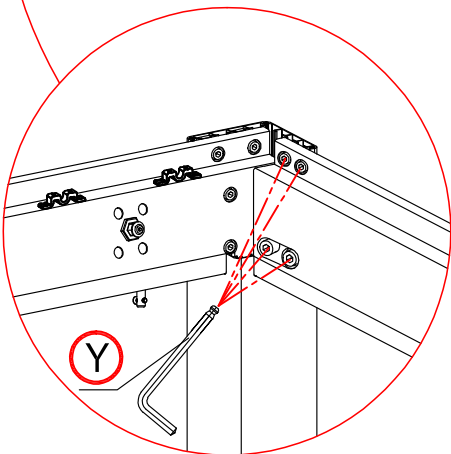
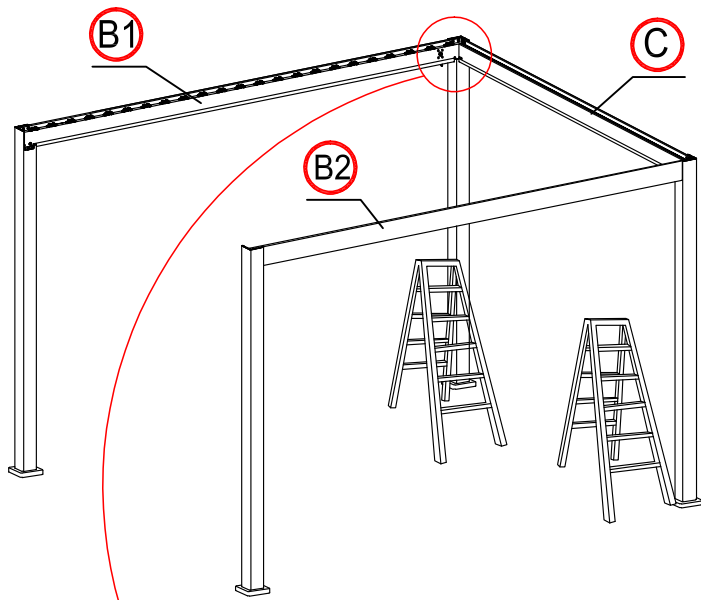
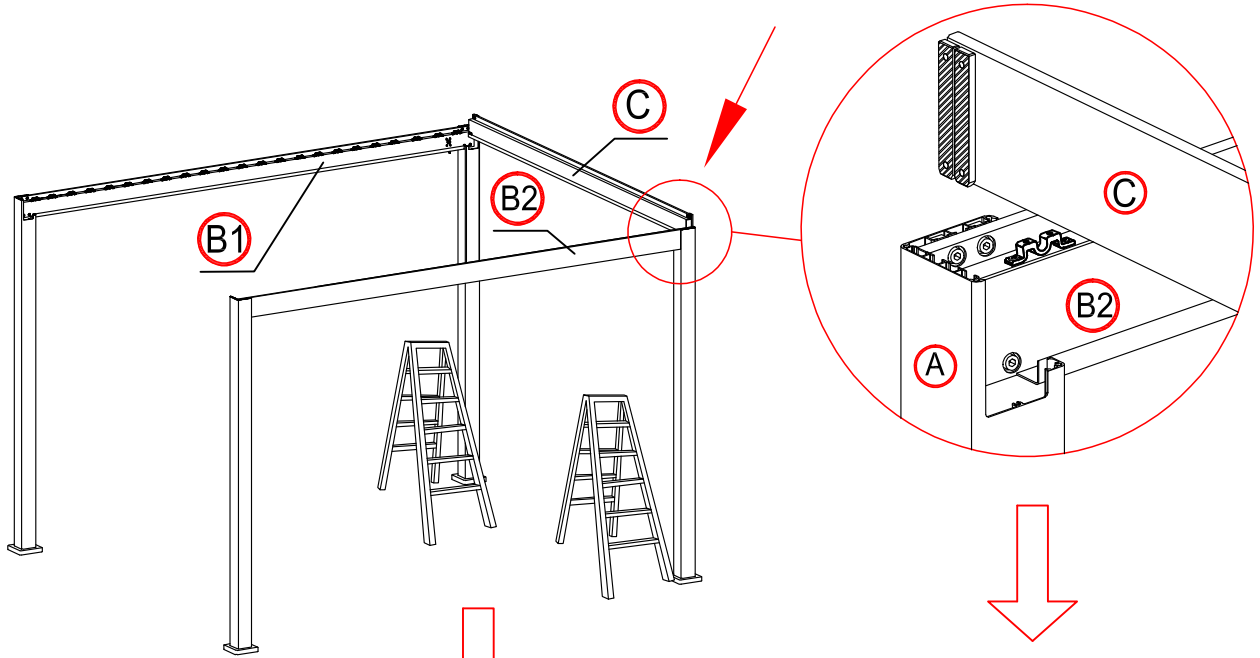


2

3

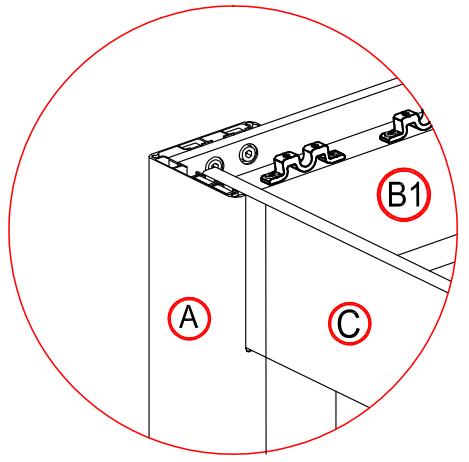
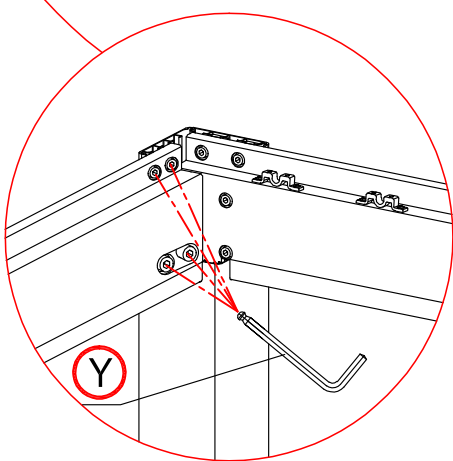
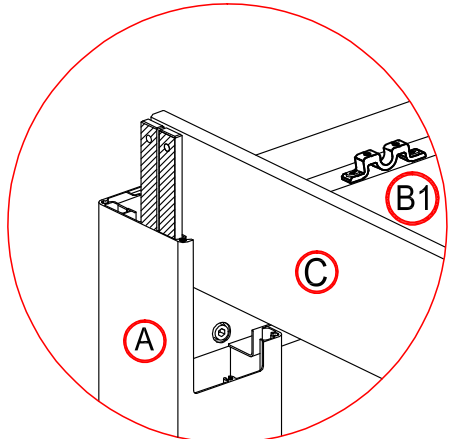
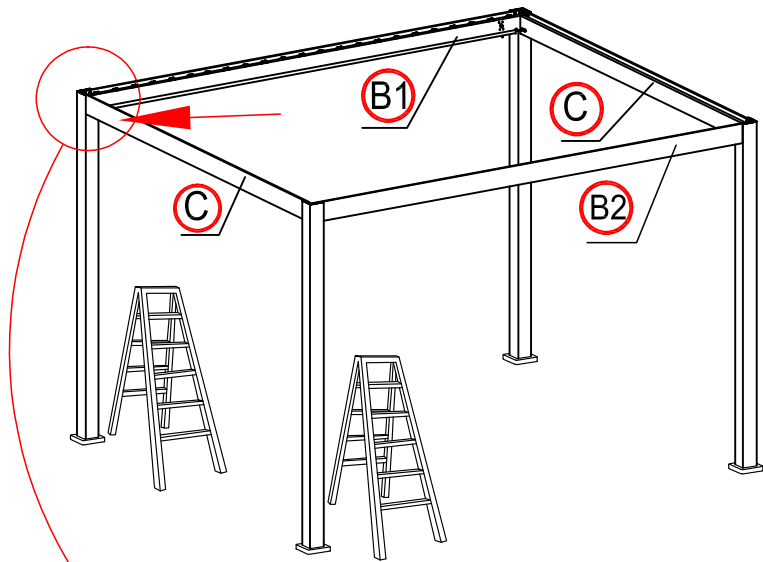
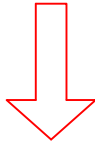
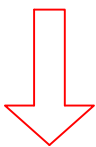
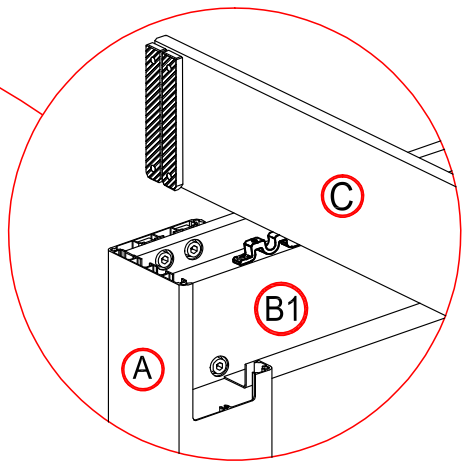
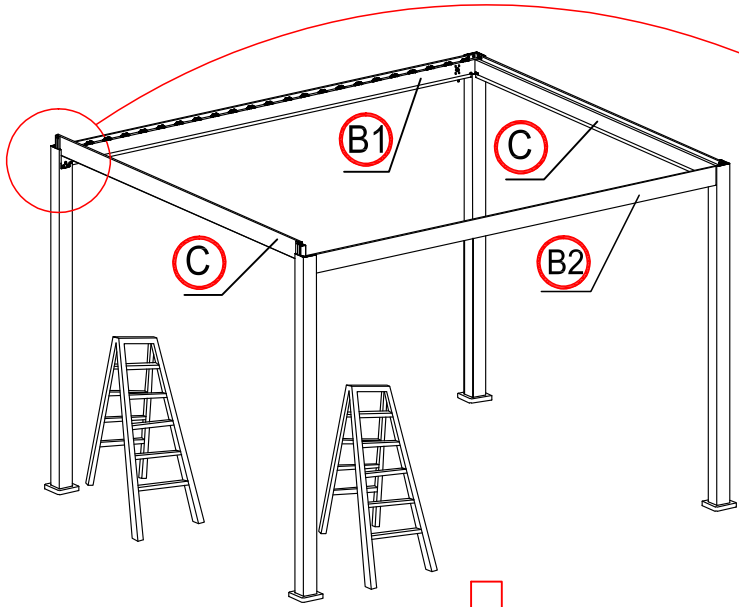


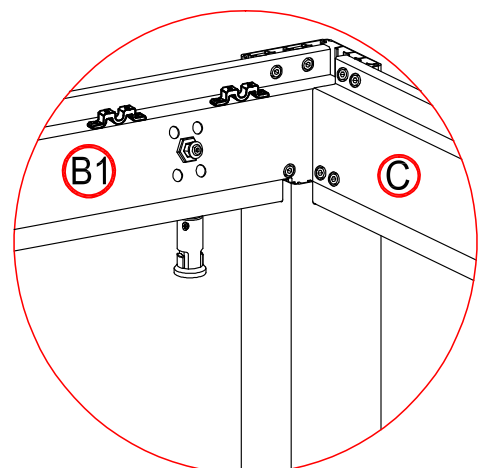
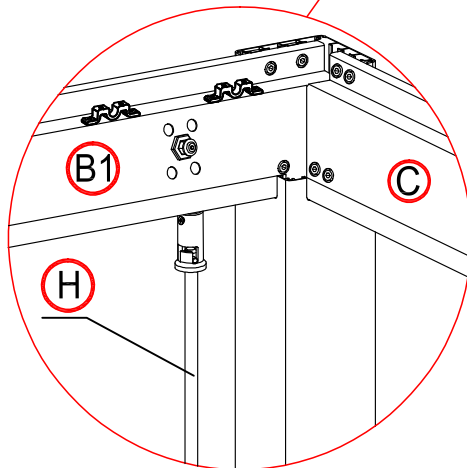
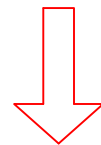
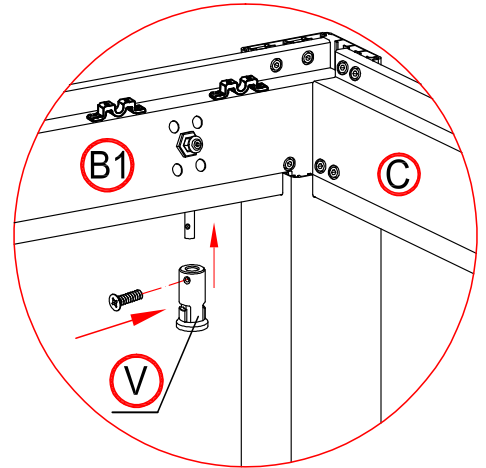
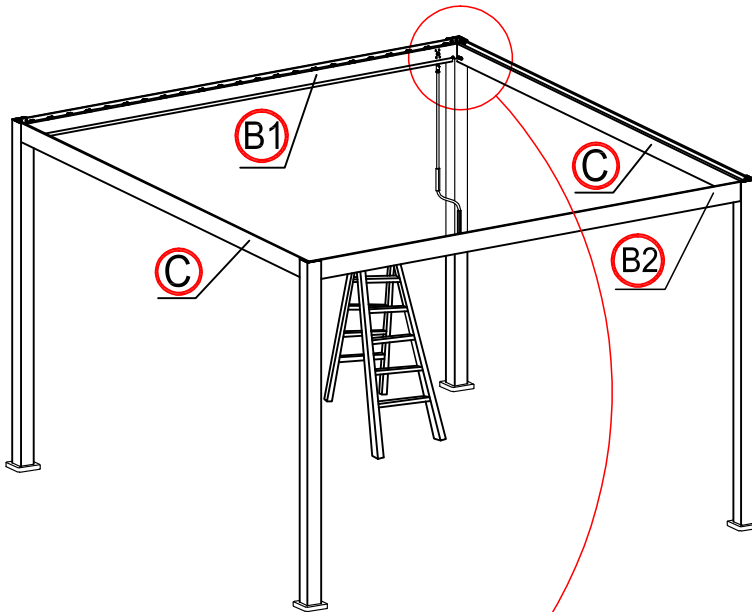
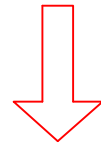
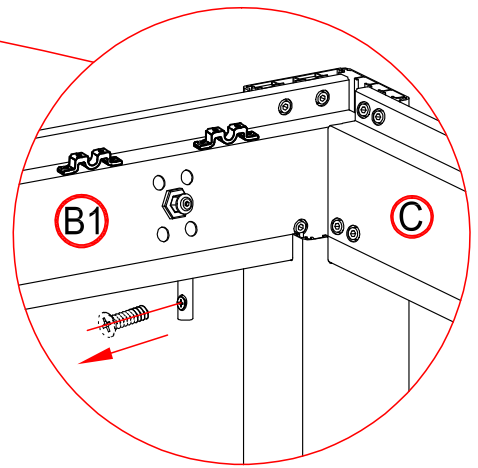
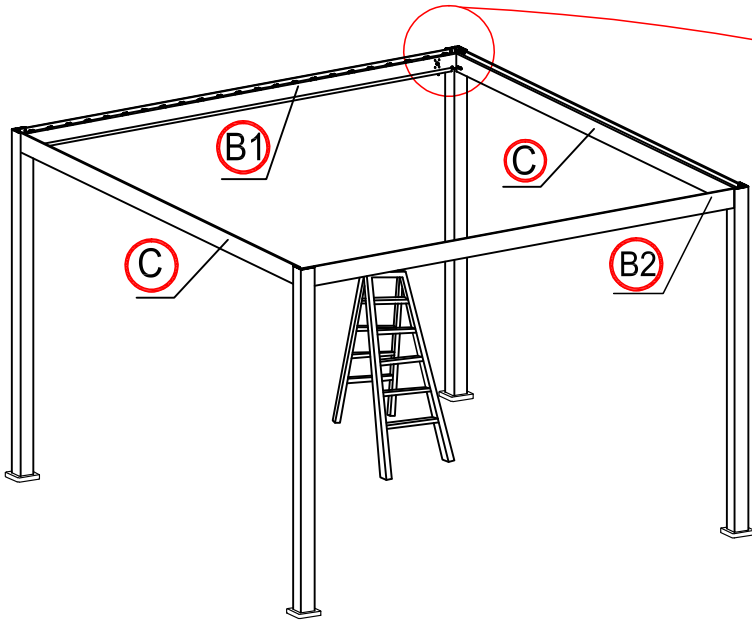




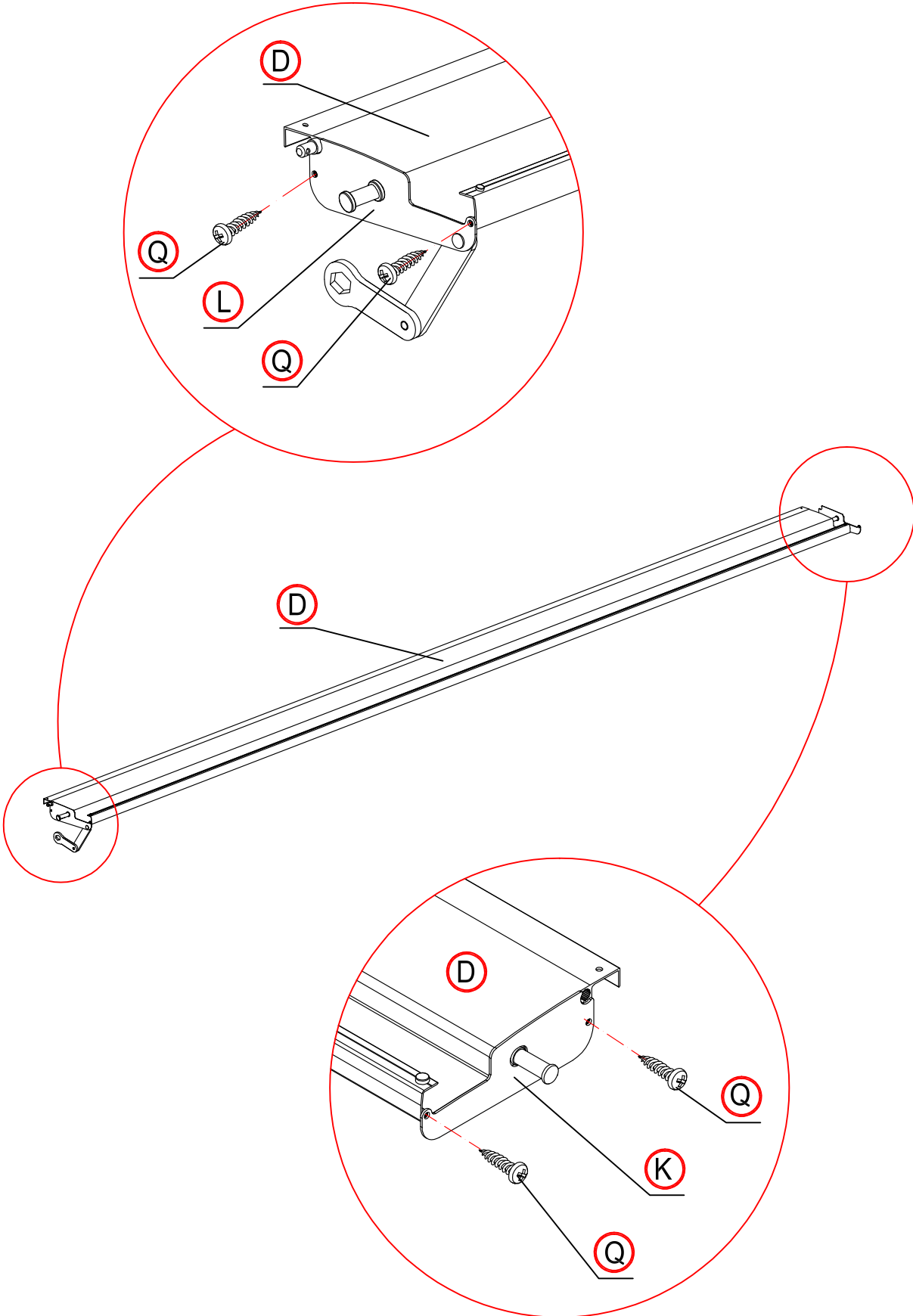
6

5

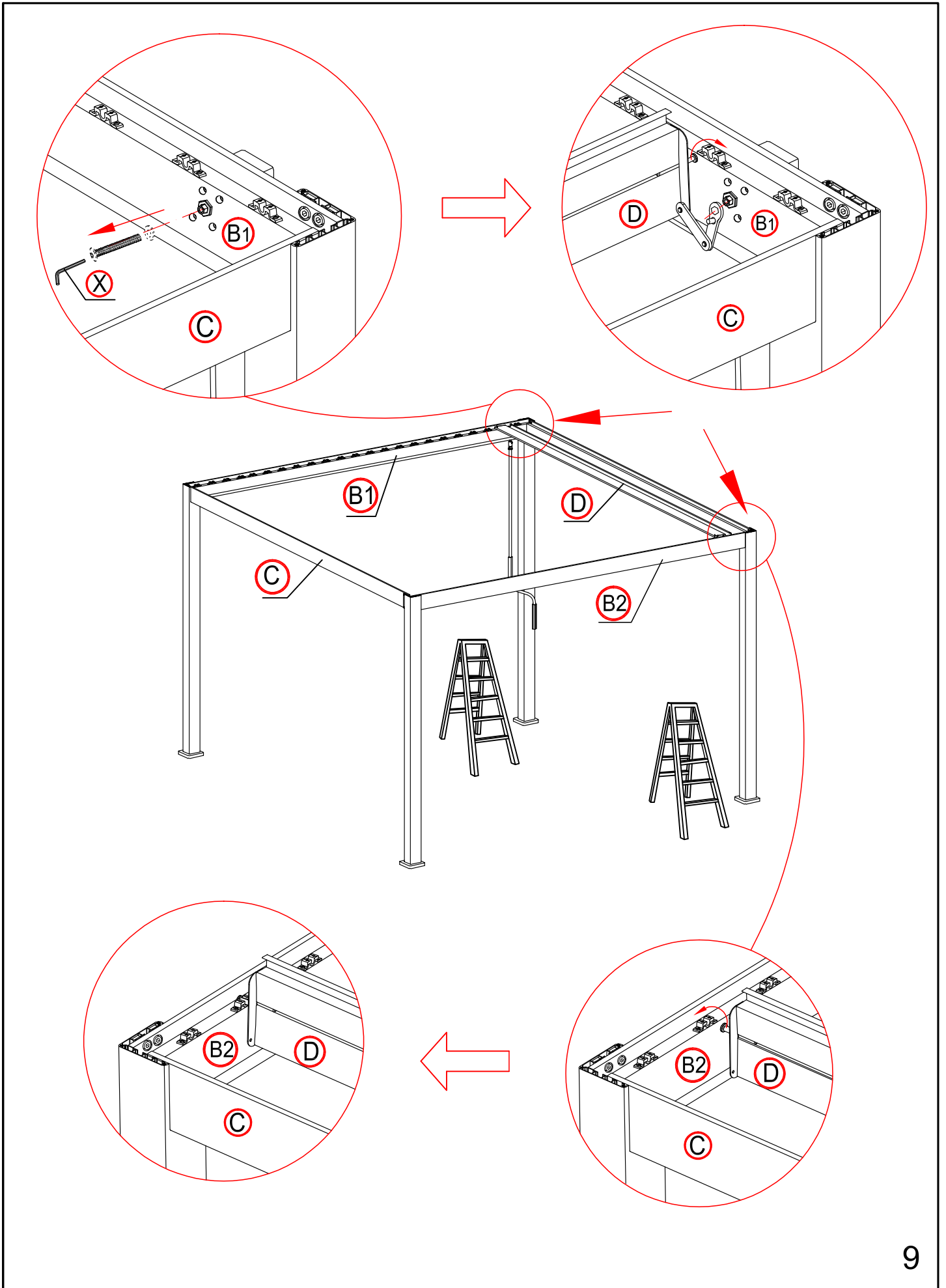


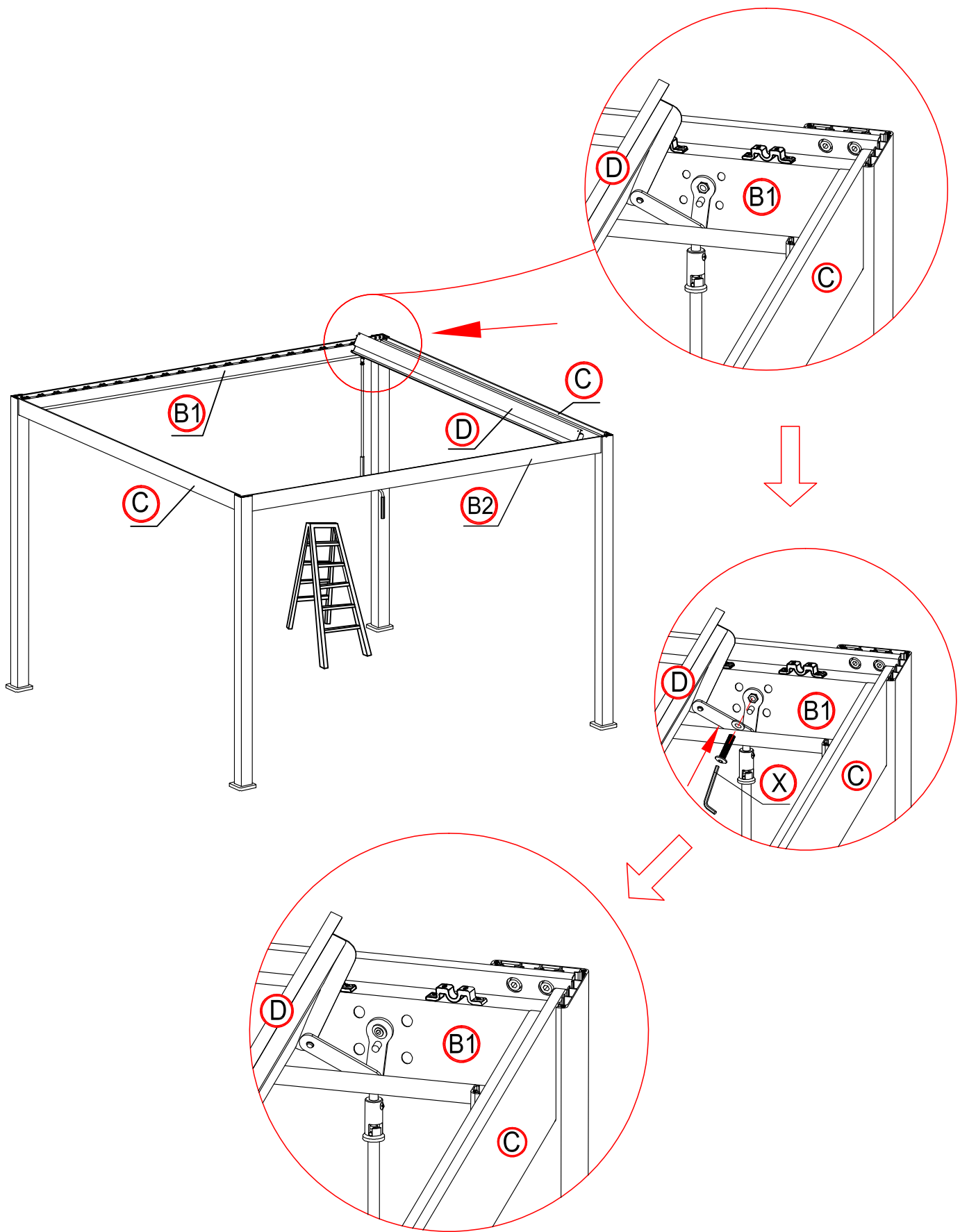


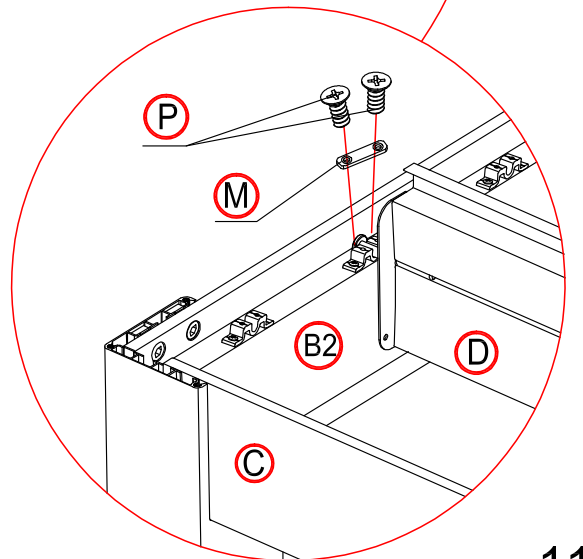
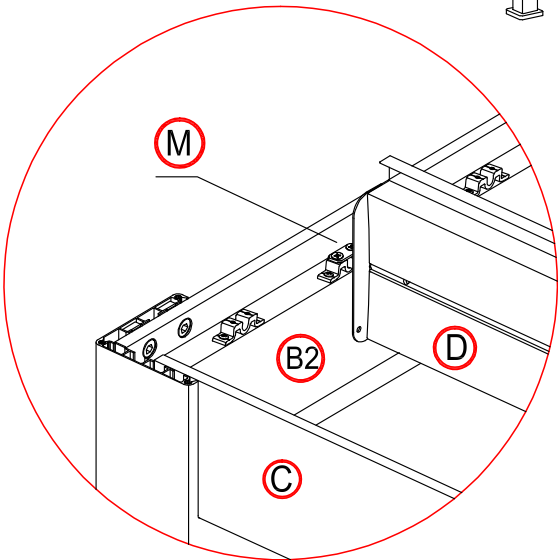
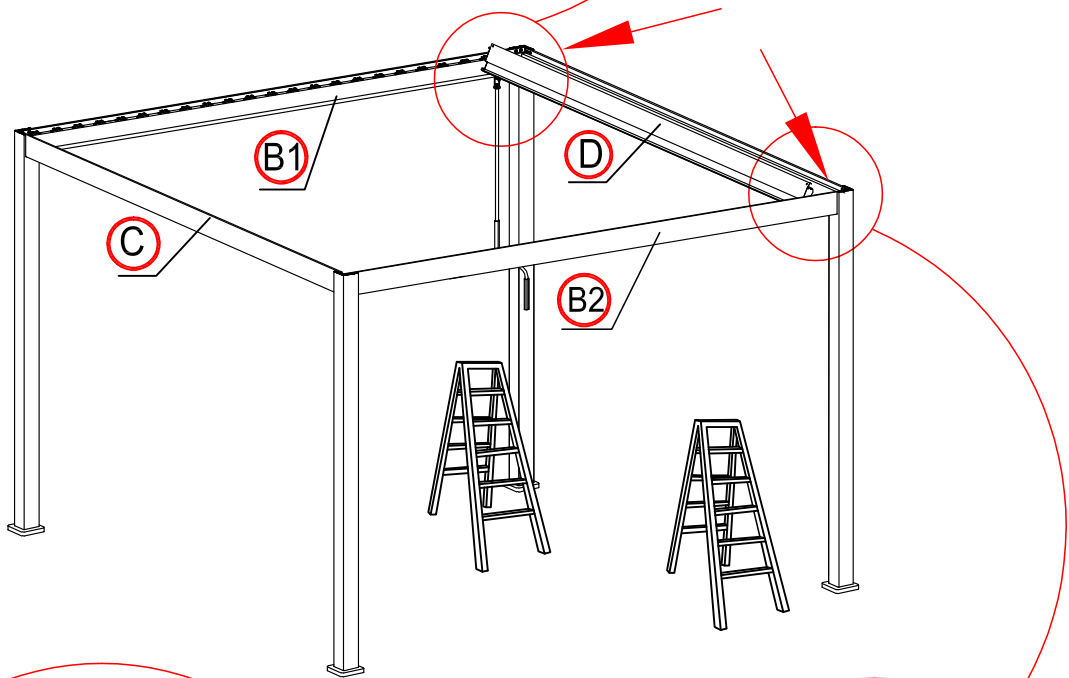
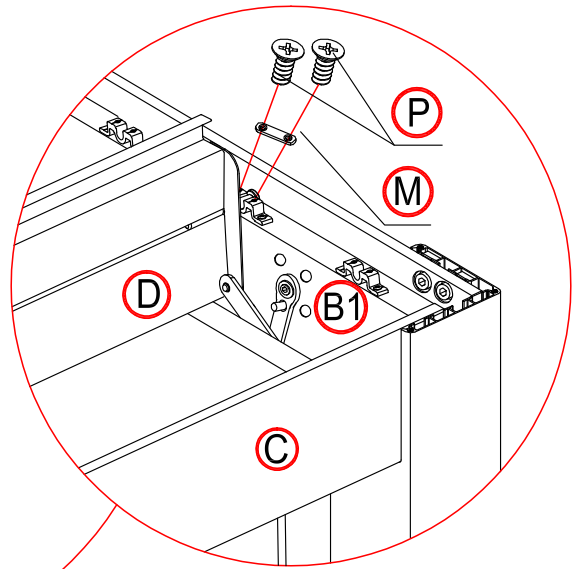
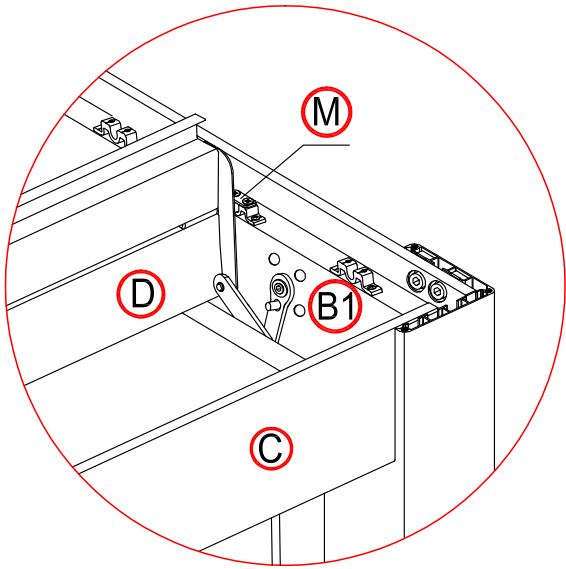
×1 time



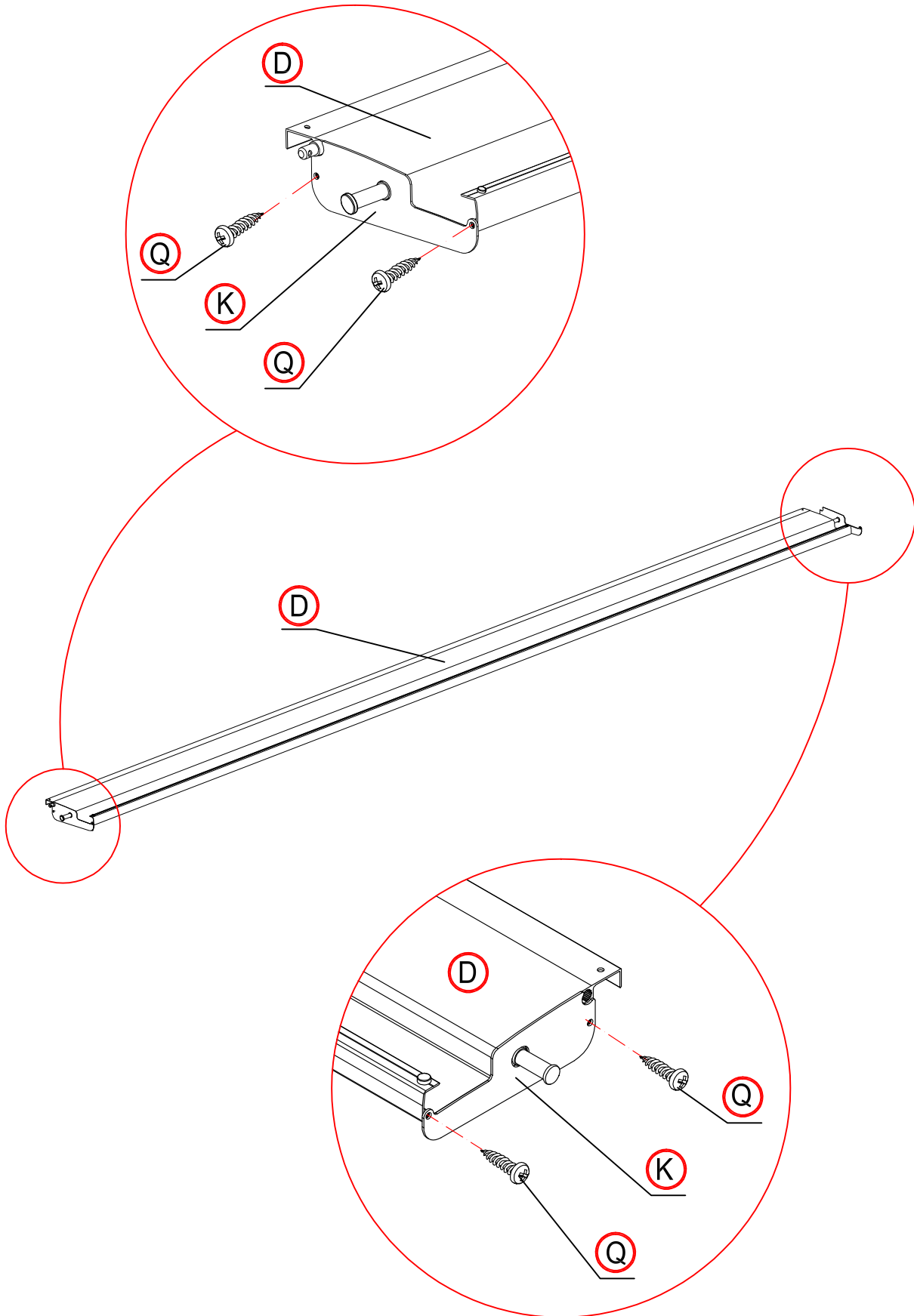
9

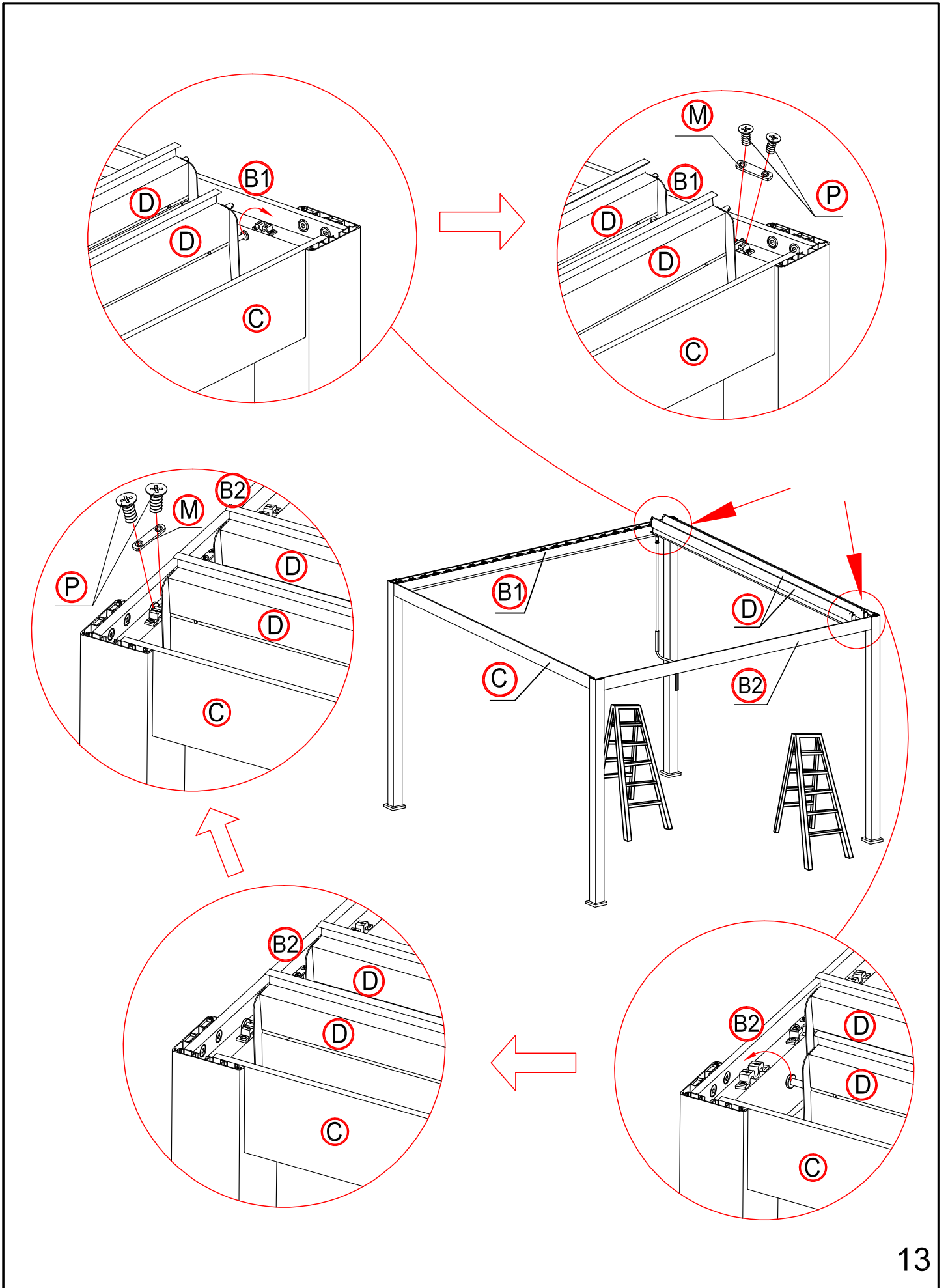




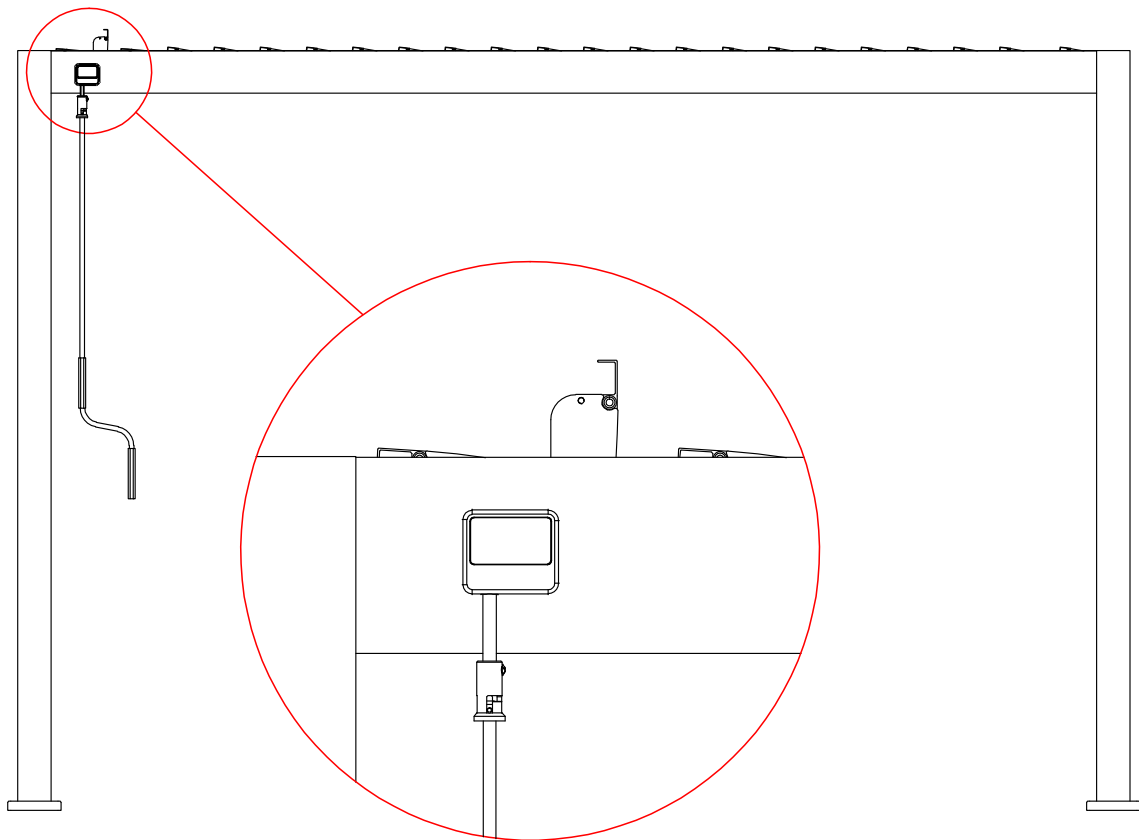


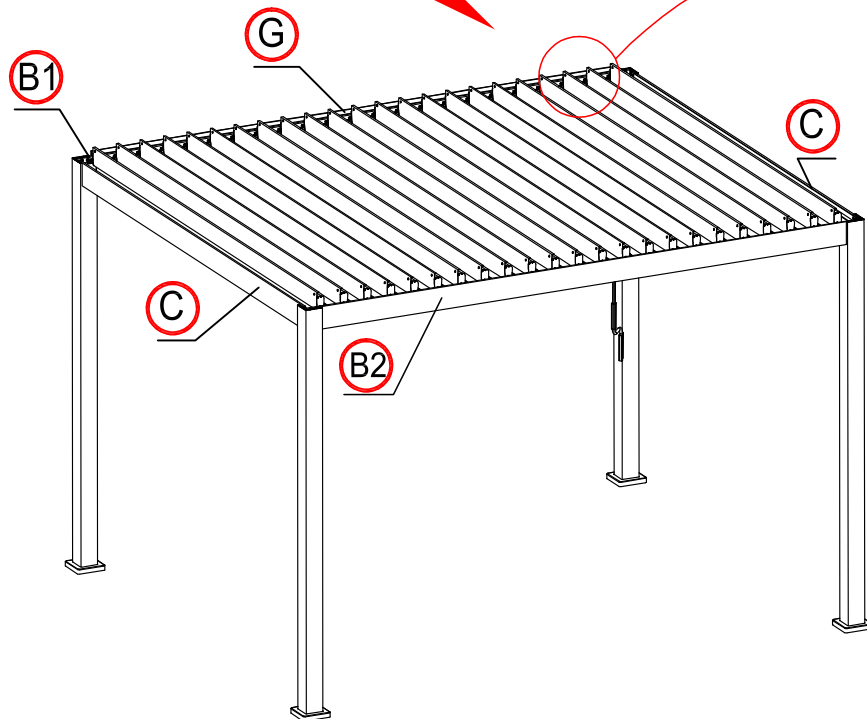
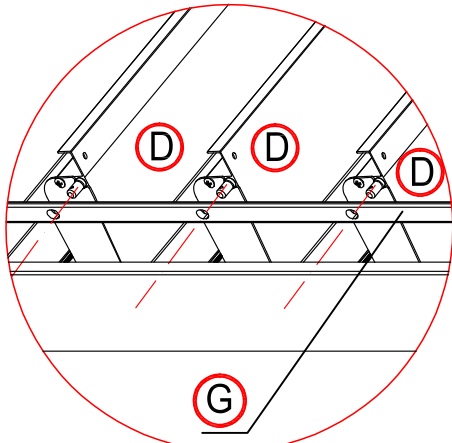
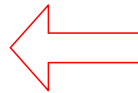
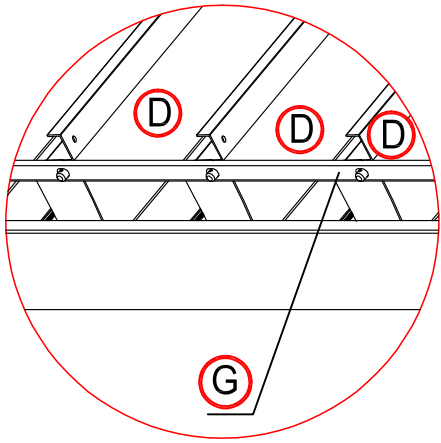
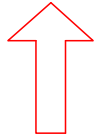
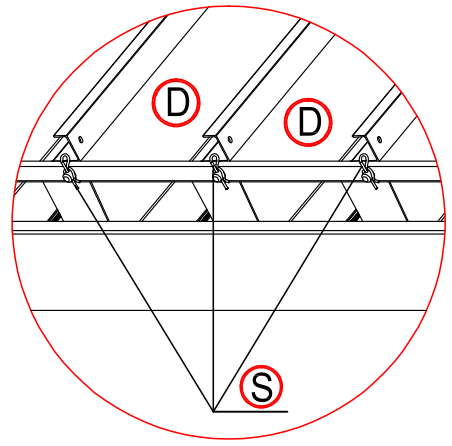
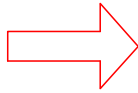
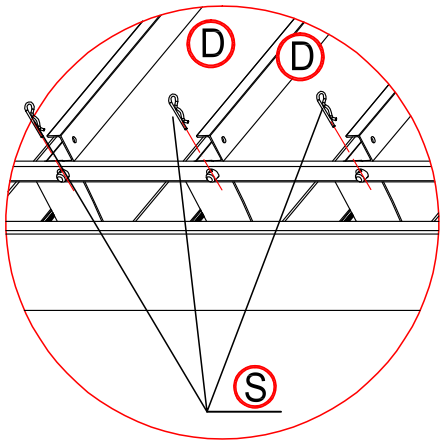
×22 times



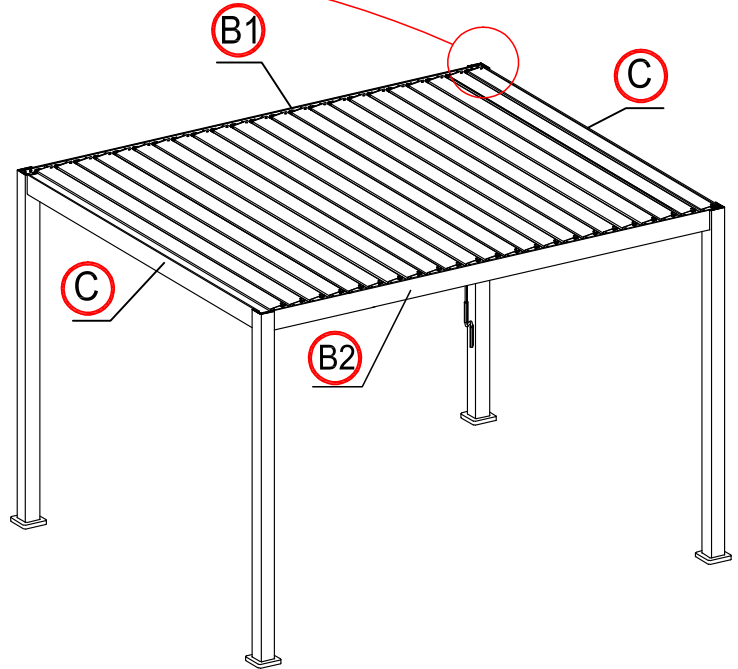
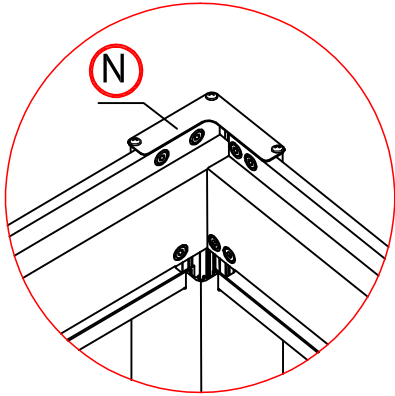
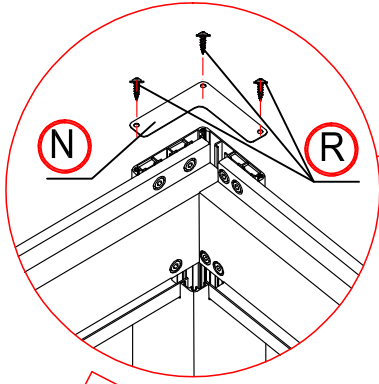


Make the shutter as vertical.



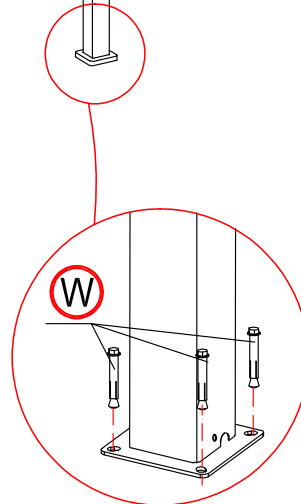
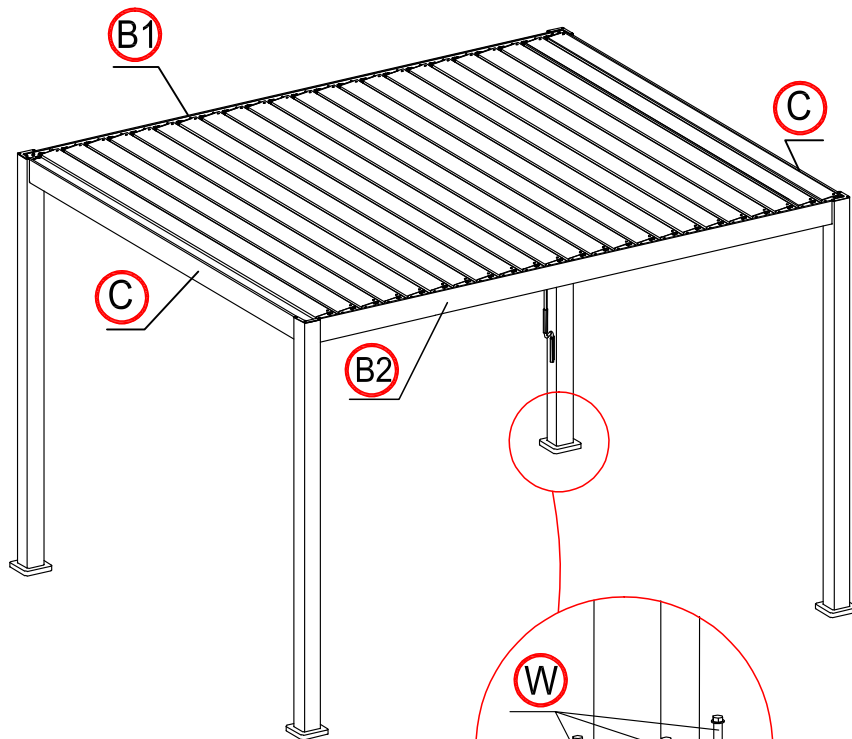


×4 times



16

×4 times



17

17

Contact information

Austria



Belgium



Croatia



Denmark



Estonia



Finland



France



Germany



Ireland



Italy



Latvia



Lithuania



Nederland



Norway



Poland



Portugal



Spain



Sweden



Switzerland



UK

