

DANCOVER[®]



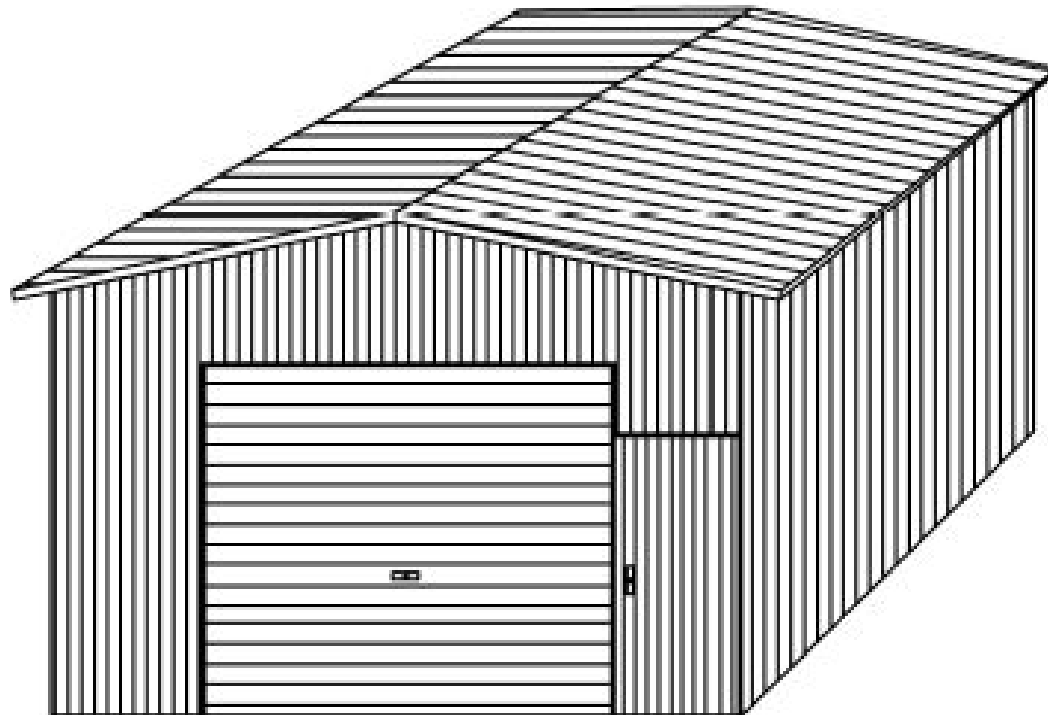
ProShed Garage

5x8m

5x8m Garage Installation Instruction

Metal Garage

Owner's Manual
Instructions for Assembly
Size 5x8m



SAFETY AND HAZARD INSTRUCTIONS

CAUTION

Read the following safety warnings and all instructions in their entirety prior to installation.

WARNING:

Metal parts may get hot when exposed to high heat or direct sunlight. Avoid contact with skin and wear protective gloves and clothing to prevent the possibility of burns.

WARNING:

Metal conducts electricity and electrical shock hazards exist since the structure is made of metal. During installation or storage, keep the structure and all components away from electrical sources. Make sure that your selected location is away from power lines, underground cables, and any other source of electrical power. Serious injury or even death may occur if contact is made with electrical current.

WARNING:

If the structure is moved once it has been installed, be certain to inspect all components and conditions and follow each and every step of these instructions to make certain that the structure is securely anchored, properly installed, and aligned. Failure to follow these steps could lead to collapse of the structure and may result in serious risk of injury.

WARNING:

In the event that your structure is enclosed, be sure to provide proper and adequate egress and ingress.

Hazardous, poisonous or noxious substances should not be stored in the structure and the following all warnings and instructions of the manufacturer of the substance. Also, proper ingress and egress should be provided to prevent persons or children from becoming trapped inside the structure.

WARNING:

The product metal panels are selected to cover all or a portion of your structure, be careful of the sharp edges which may cause cuts or lacerations. Wear protective work gloves and suitable clothing for protection and always take care when handling metal parts.

WARNING:

Always wear safety glasses or goggles when installing self-drilling screws.

Torque Setting

Cordless (14 or 18 volt)
Or Electric Screw Gun
With 5/16" Socket Drive



Safety Goggles
Or glasses



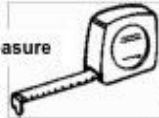
Work Gloves



Pencil/Marker
And Felt Marker



Tape Measure



Hammer



Tin Snips



What you'll need

Chalk Line and
Mason Line or
Nylon String



Level



8 Step Ladders

One must be able to comfortably reach the peak of the building 10' to 16' high depending on building width and height. An extension ladder can also be helpful when installing sheet metal.

Adjustable wrench



Items you may need

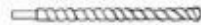
Shovel or
Post Hole
Digger



Hammer
Drill



Masonry
Drill Bit
1/2" x 8"
Drill depth



Wrench, 3/4" & 1/2"



Vise grip or other
quick clamp



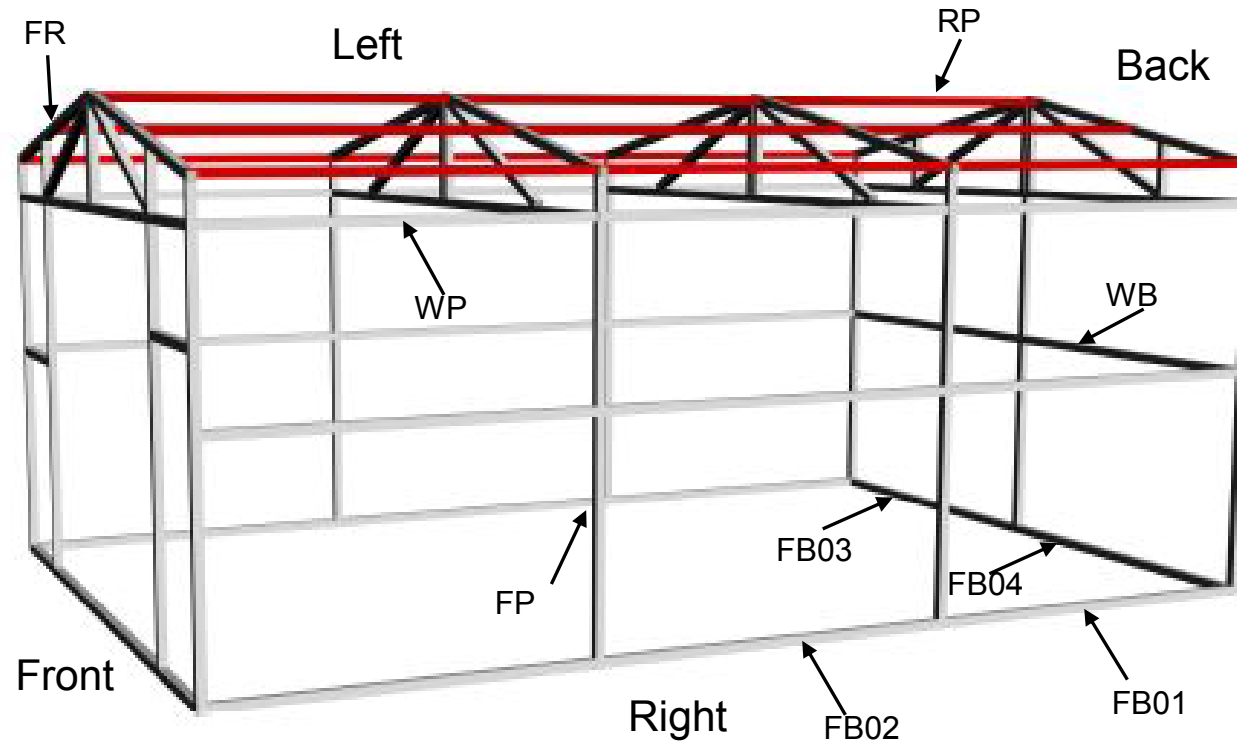
PART LIST FOR 5X8m GARAGE

Part No.	Diagram	Length(m)	QTY(pcs)	Part No.	Diagram	QTY(pcs)
FB01		2.8	4	UC		69
FB02		2.4	2	CC		10
FB03		1.78	1	LC		23
FB03-1		1.78	1	VC		3
FB04		3	1	IC		3
FB04-1		3	1	OC		3
FP		3	7	RB		5
FP-1		3	1	S0		6
FR		2.44	8	S1		
FP01		2.7	2	S2		
FP01-1		2.7	1	S3		
RP		2.6	24	DC		2
WP		2.6	6	DA		1
WB		2.24	2	DG		2
WB-1		0.9	2	DP		1
RP01		2.66	26	DF		1
WP01		3.04	26	WP01		
WP01-1		3.04	1	WP02-3		1
WP01-2		2.94	1			
WP01-3L		2.84	1	WP01-1		1
WP01-4L		2.74	1	WP02-3L		1

5x8m Garage

Frame Sketch

Width:5m
Length:8m
On center frame spacing:2.6m
Wall Height:3m
Ridge height:3.5m

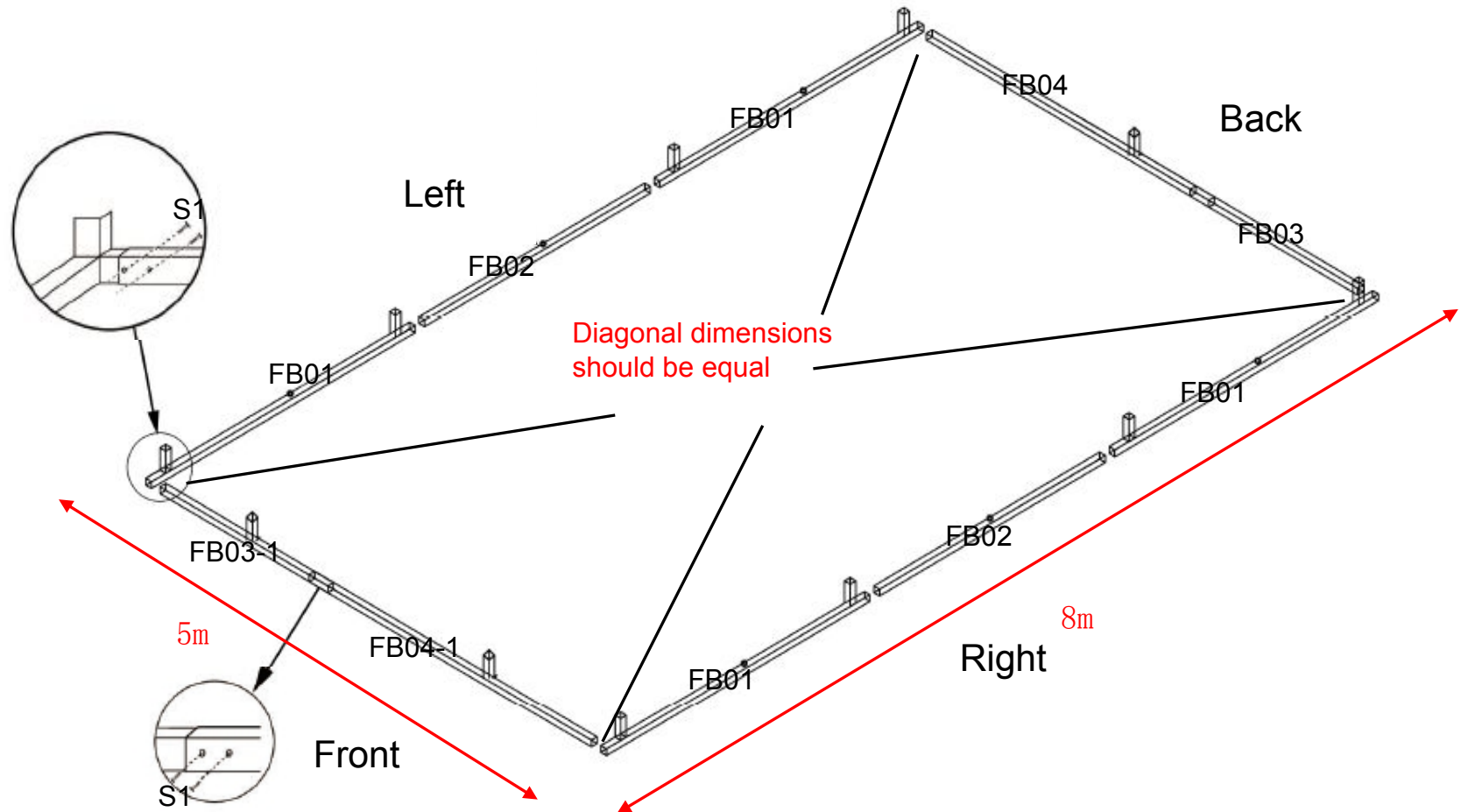


Sep#1.Base Installation

Measure and install base as following.

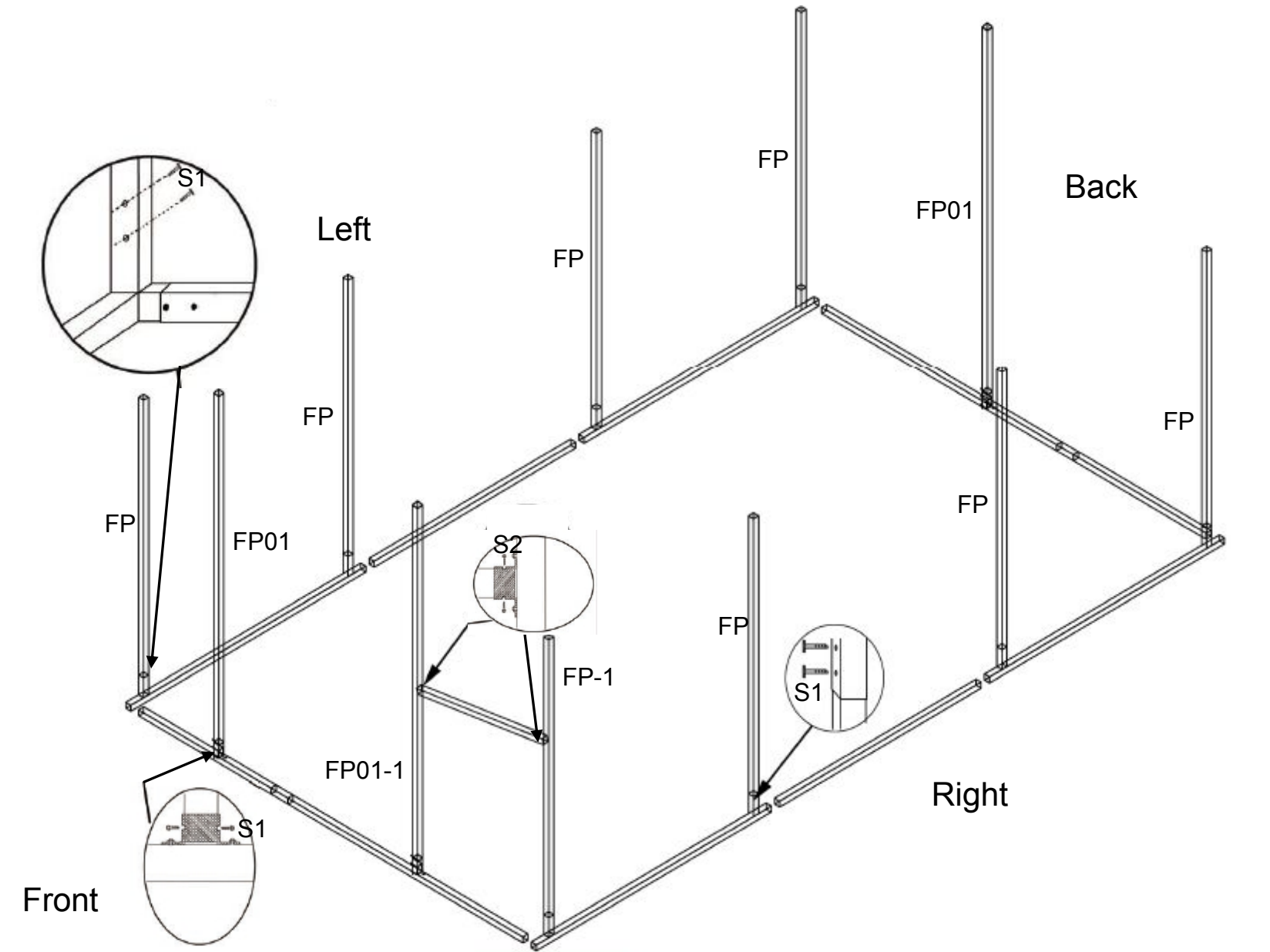
Make sure diagonal dimentsions should be equal.

Note:Don't fix the anchor bolt now.



Sep#2.Post installation

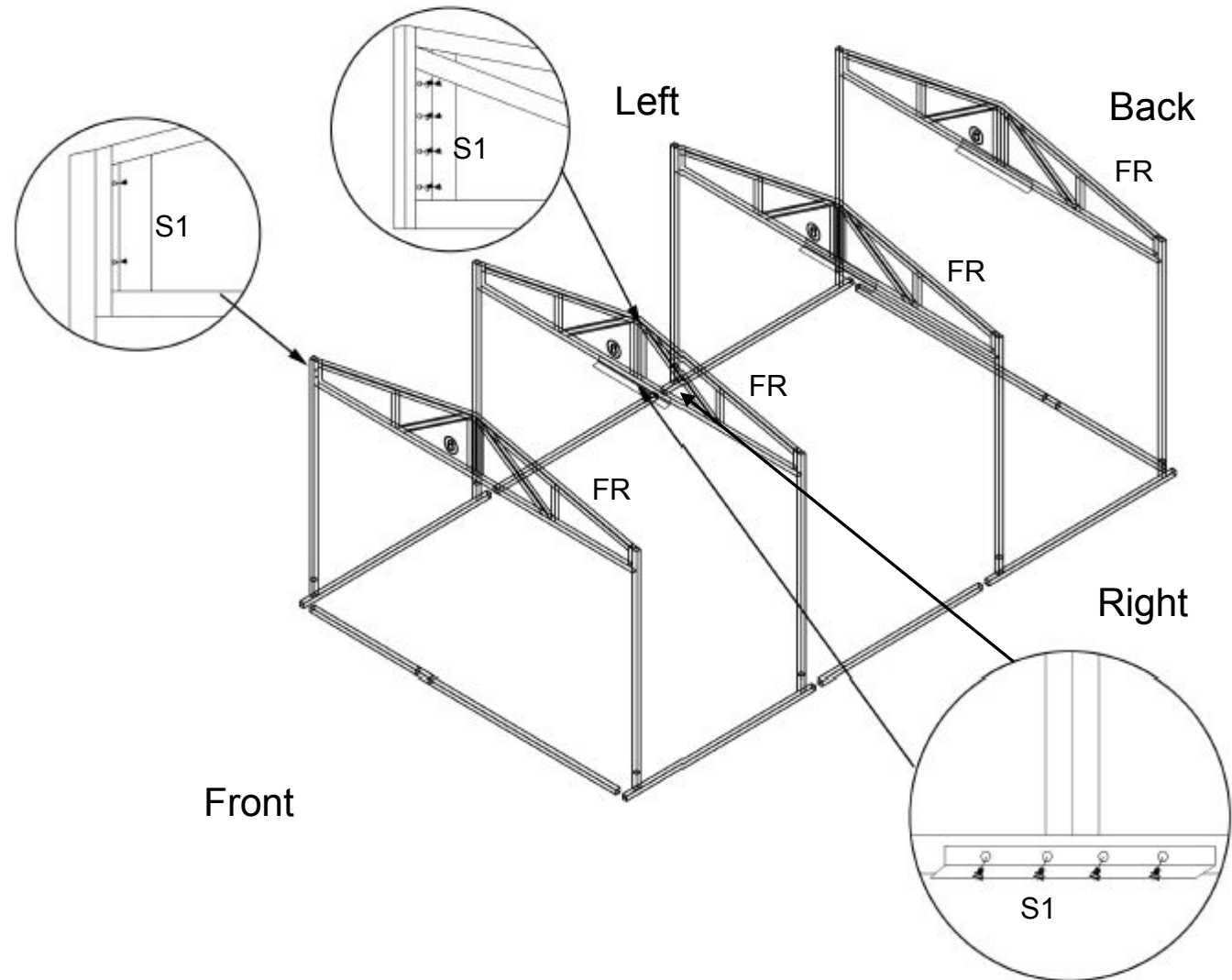
Assemble 11 pcs posts and plug in pins.(as following



Sep#3.Roof frame installation

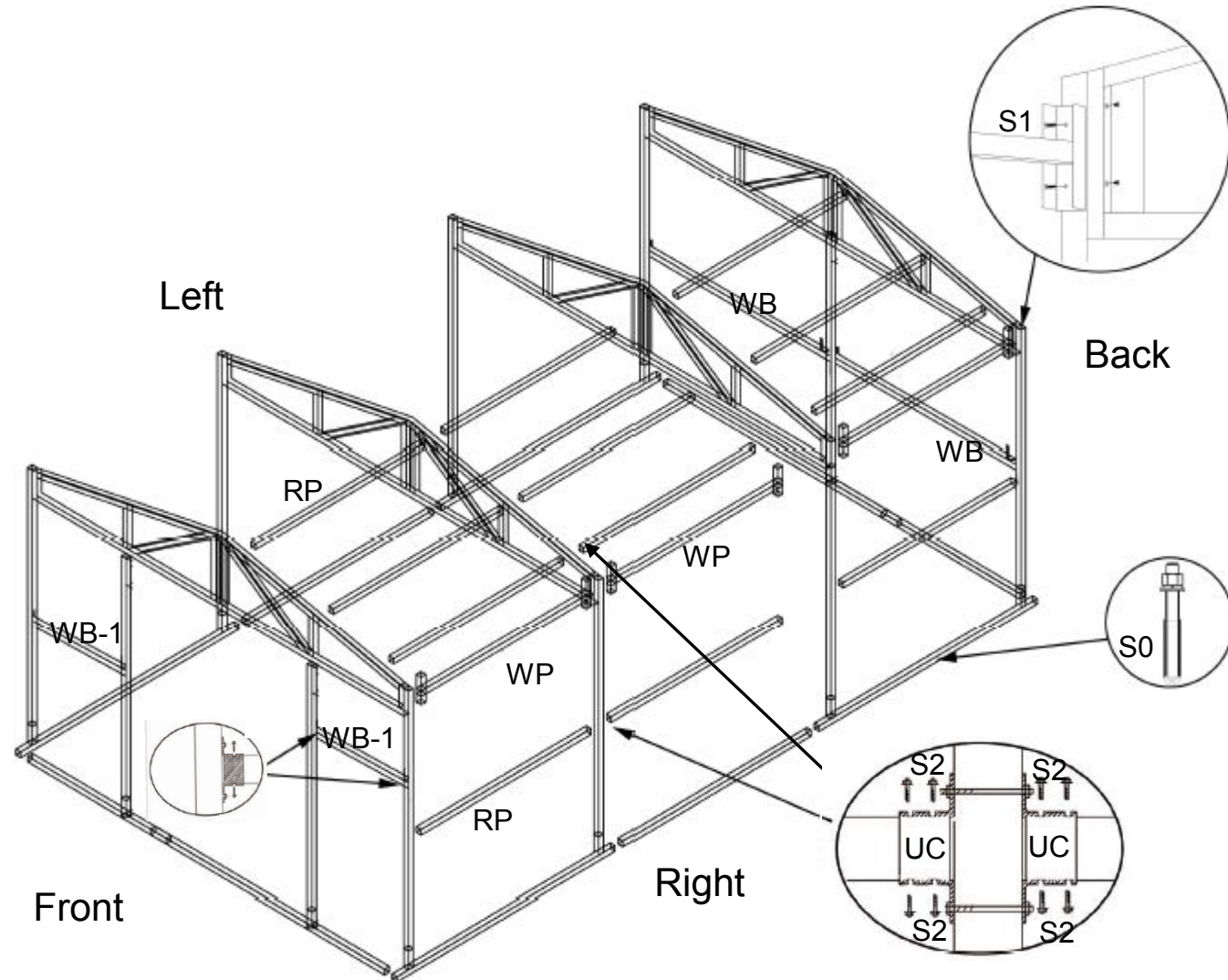
Make 2pcs roof frame as a whole one 4.88m.

Lift and assemble roof frame between 2 posts.(as following)



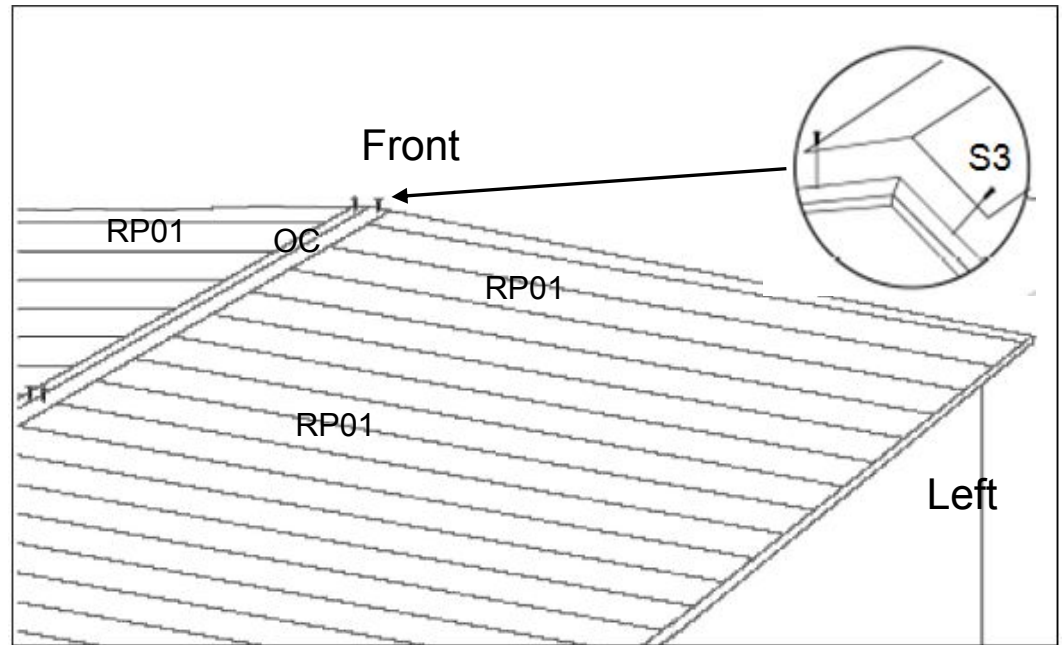
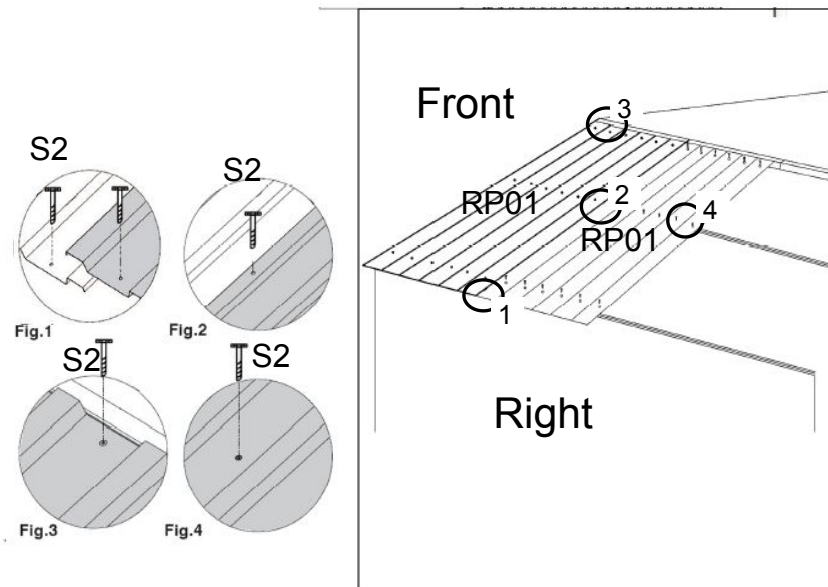
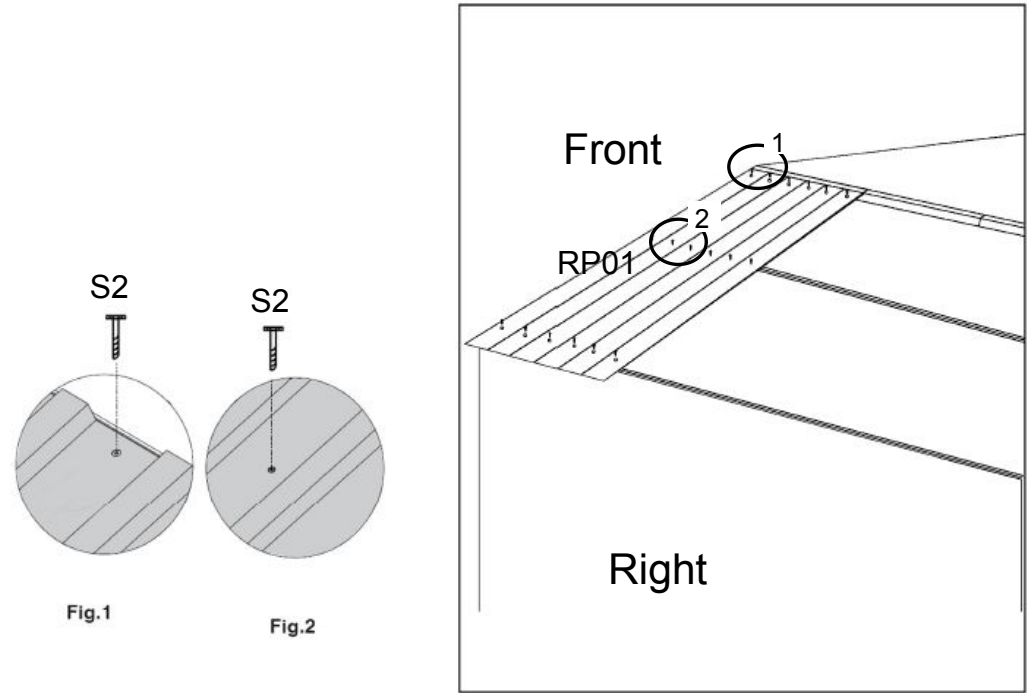
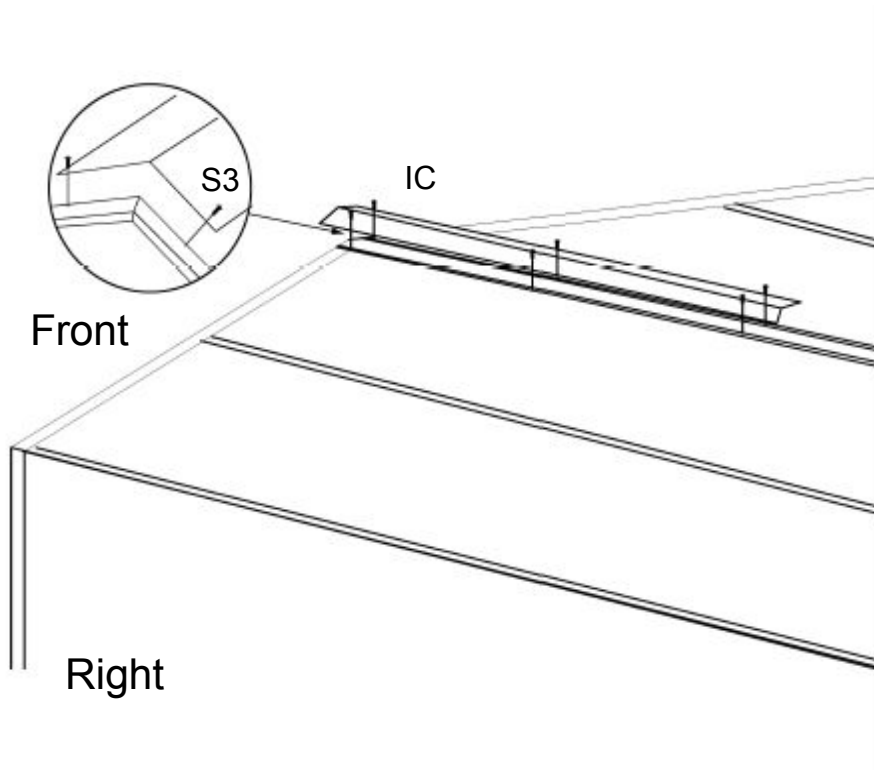
Sep#4.Roof and side wall purlin installation

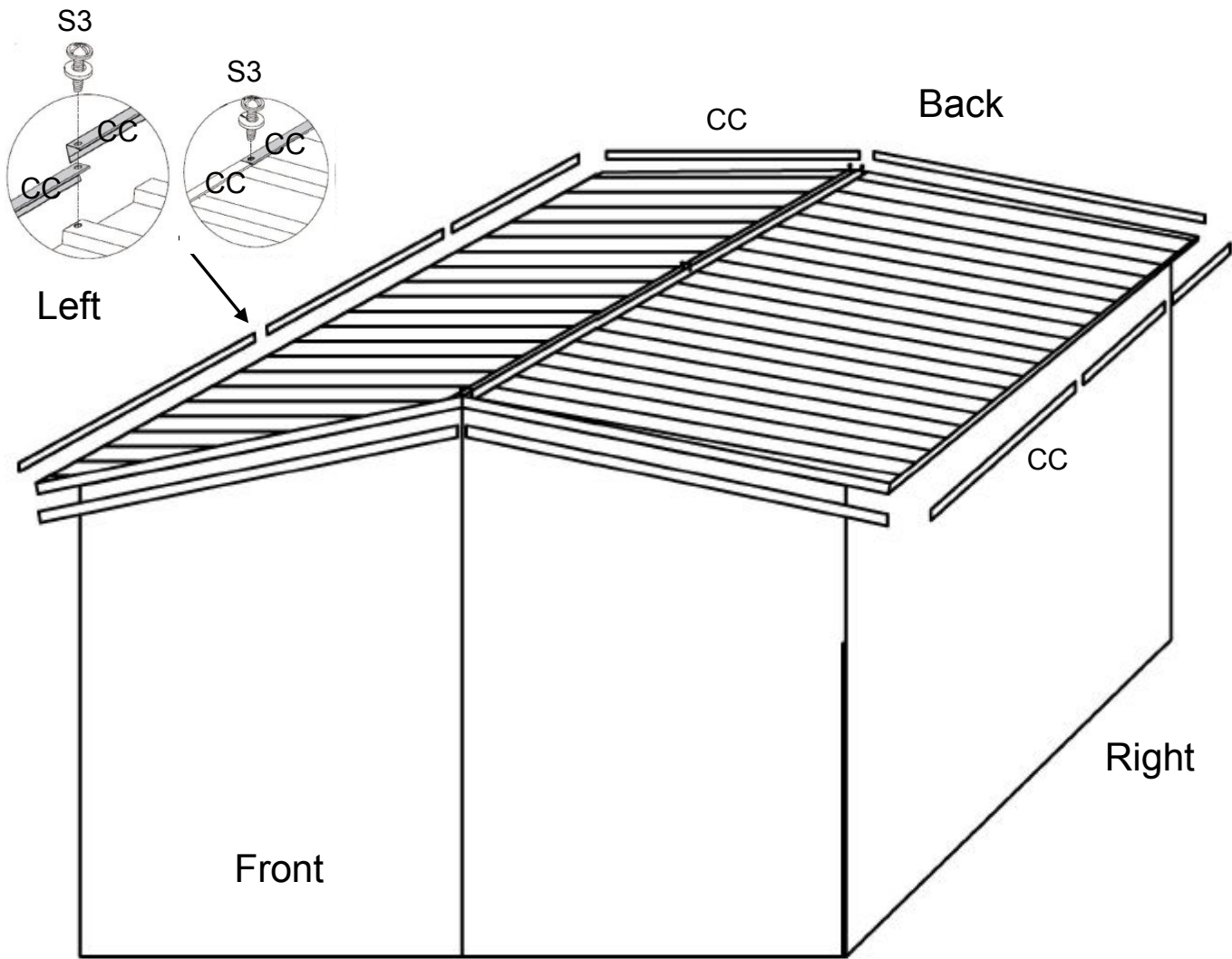
Assemble roof purlin between 2 roof frames.
Then assemble wall purlin between 2 posts.



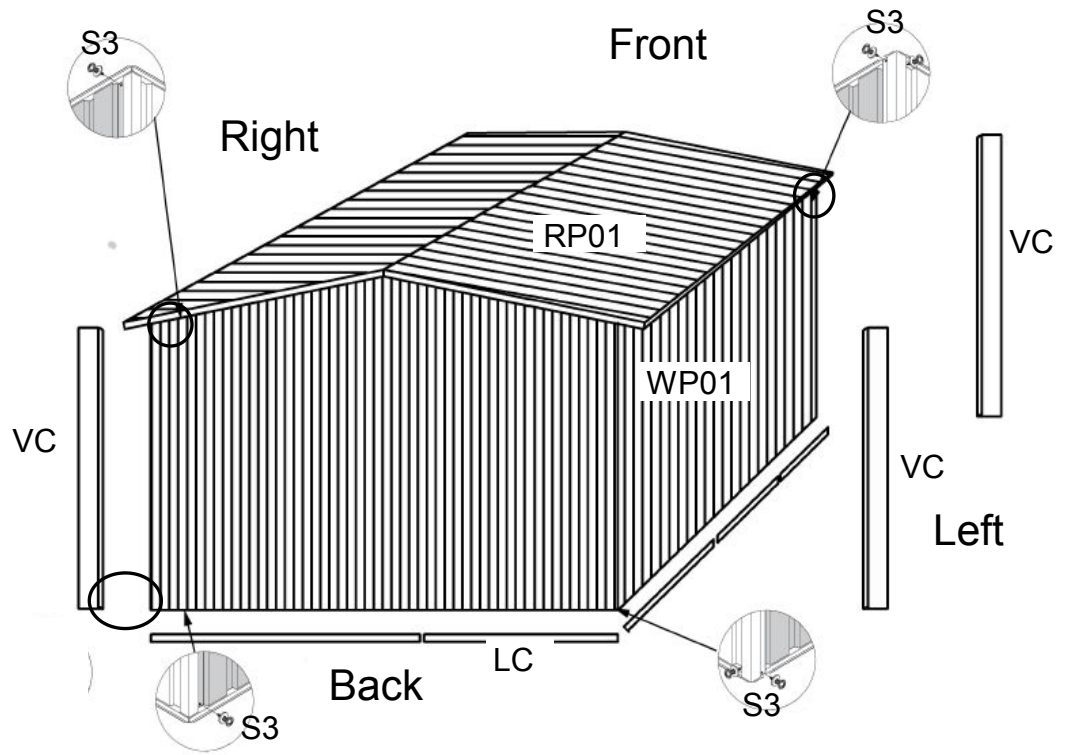
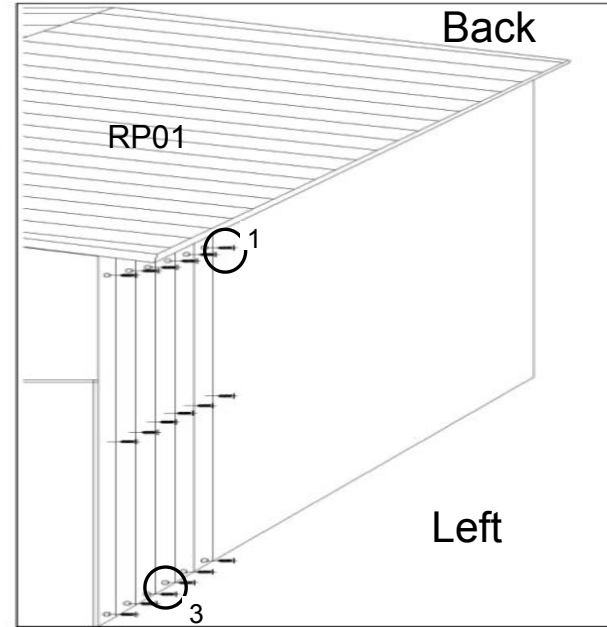
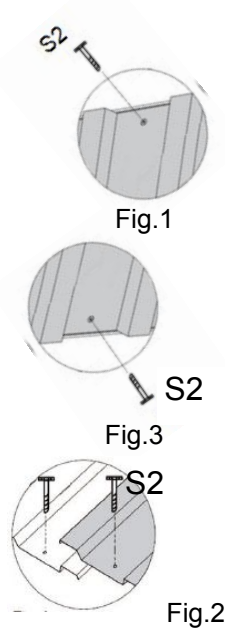
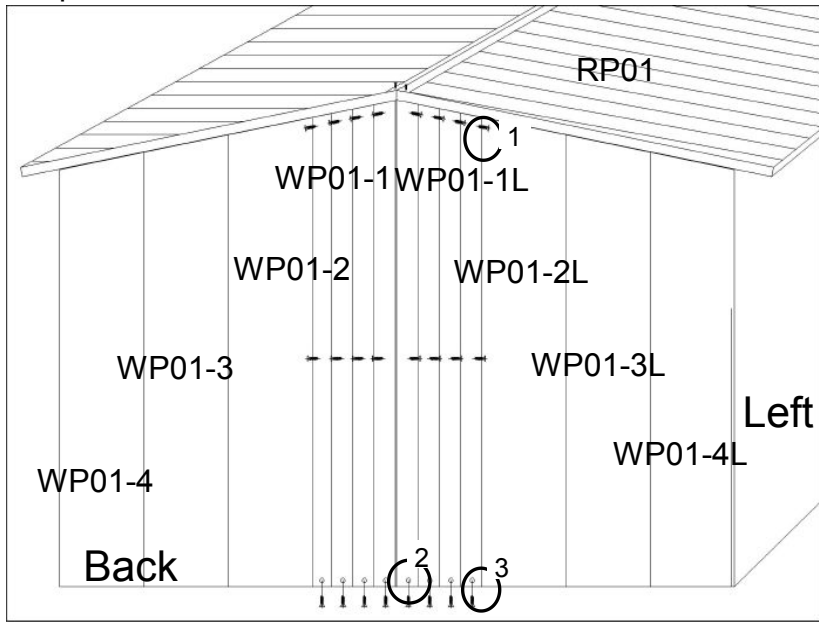
Note:
Adjust the frame.
Now fix the 6pcs S0.

Sep#5.Roof panel installation

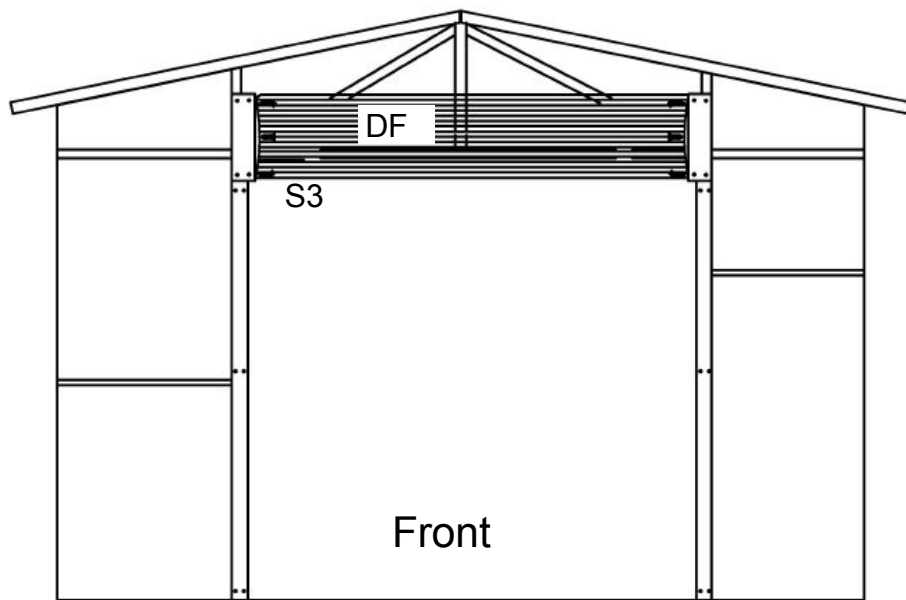
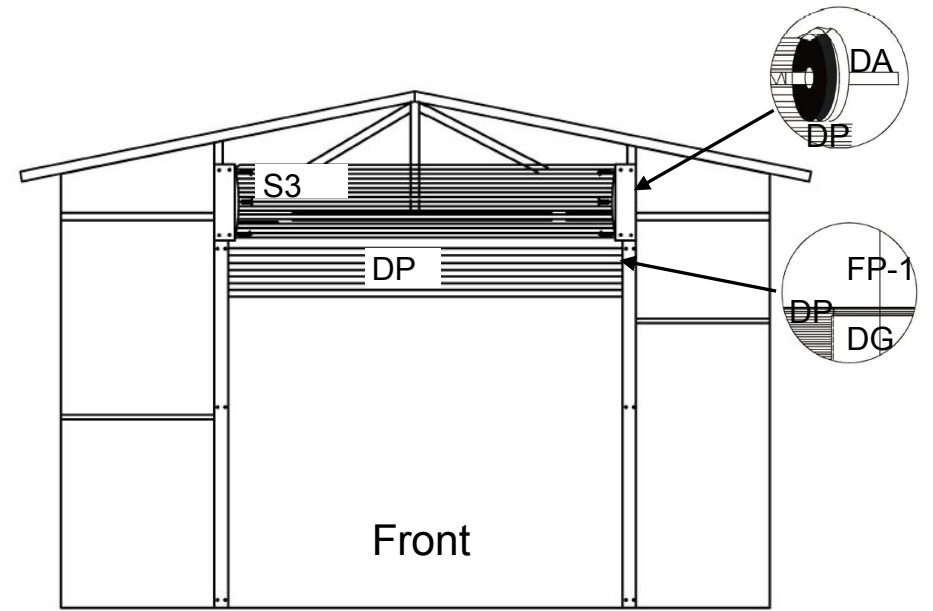
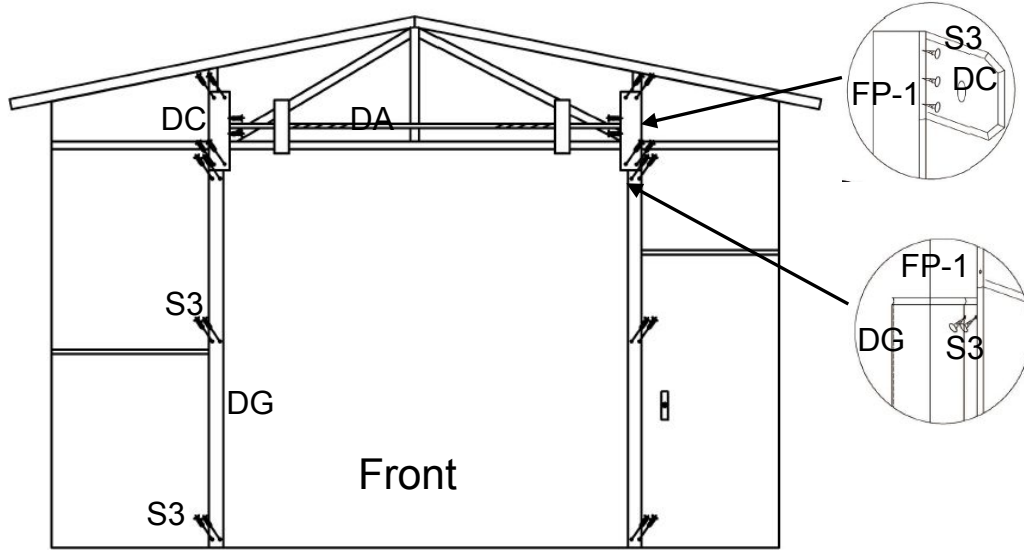




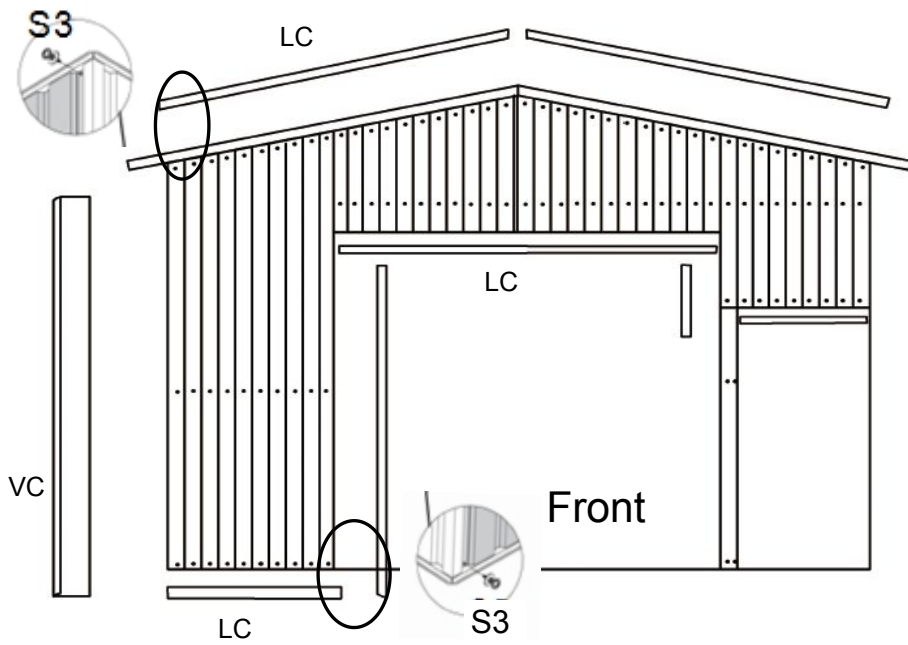
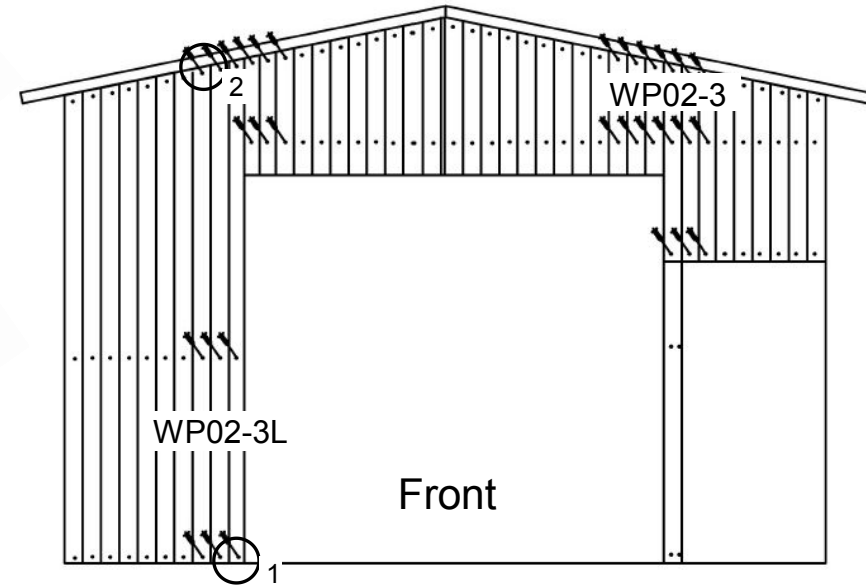
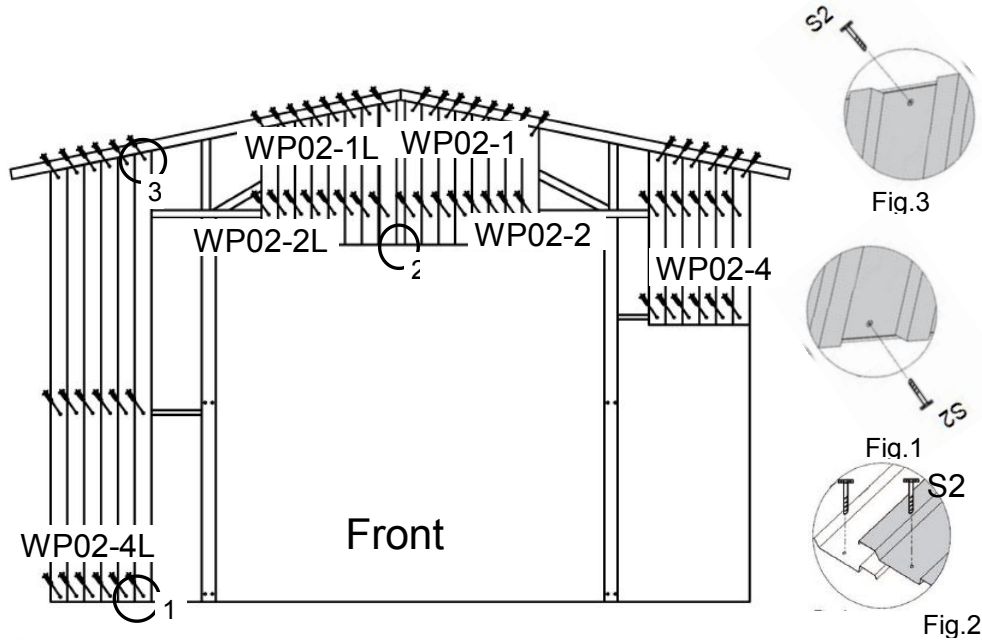
Sep#6.Wall panel installation



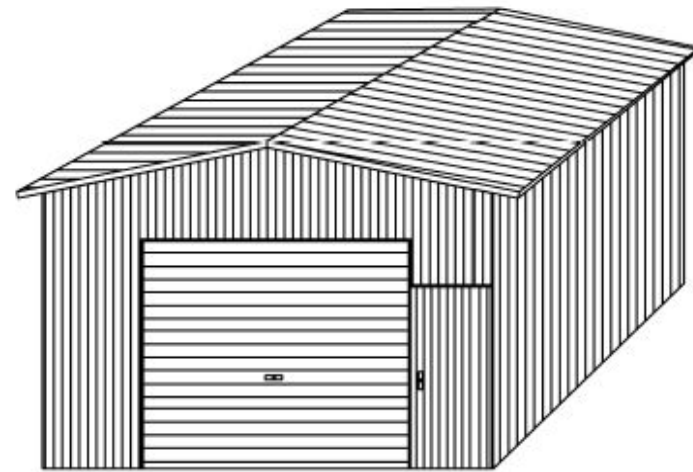
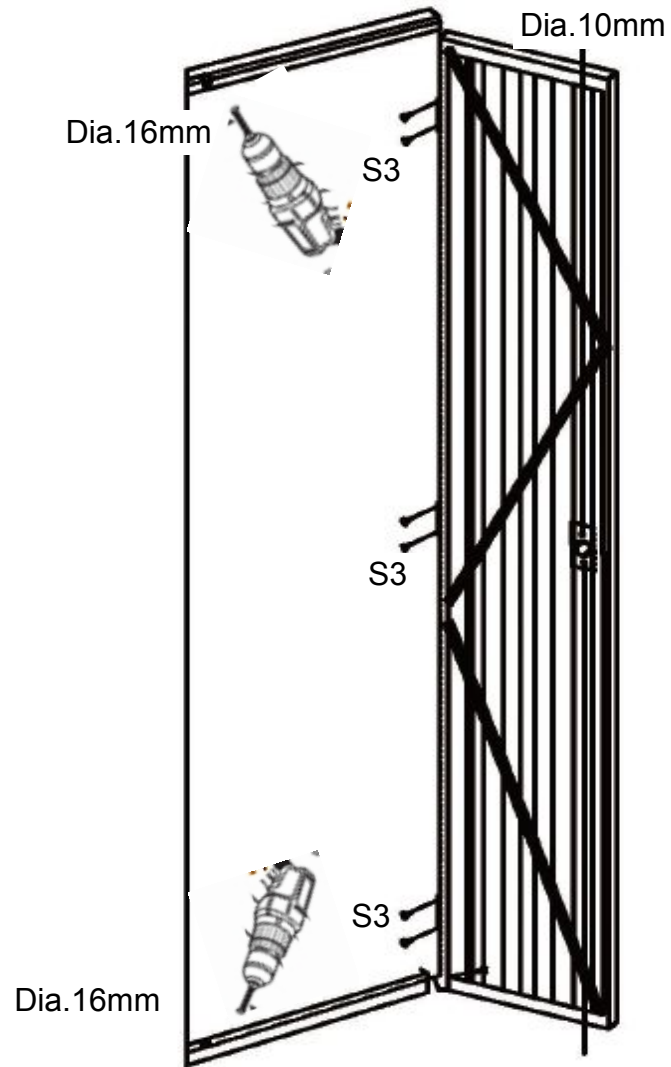
Sep#7. Roller door installation



Sep#8.Front panel installation



Sep#9.Panel door installation



Front

Contact information

Head office:

Dancover A/S
Nordre Strandvej 119 G
3150 Hellebæk
Denmark

For more information
please visit:
www.dancovershop.com

National contacts

Denmark: 70 26 76 20
denmark@dancover.com

UK: 020 8099 7570
uk@dancover.com

Germany: 041 0266 7040
germany@dancover.com

France: 0975 181 800
france@dancover.com

Sweden: 040 233 262
sverige@dancover.com

Finland: 0 931 581 720
suomi@dancover.com

Poland: 22 300 8602
polska@dancover.com

Luxembourg: +49 041 0266 7040
luxembourg@dancover.com

Portugal: 308 800 899
portugal@dancover.com

Spain: 911 436 828
espana@dancover.com

Italy: 02 479 21 198
italia@dancover.com

Switzerland: 0840 000125
schweiz@dancover.com

Austria: 0662 626935
austria@dancover.com

Norway: 231 00 690
norge@dancover.com

Nederland: 0 858 880 524
nederland@dancover.com

Ireland: 0 151 33 003
ireland@dancover.com

Belgium: 0 28 08 08 09
belgique@dancover.com