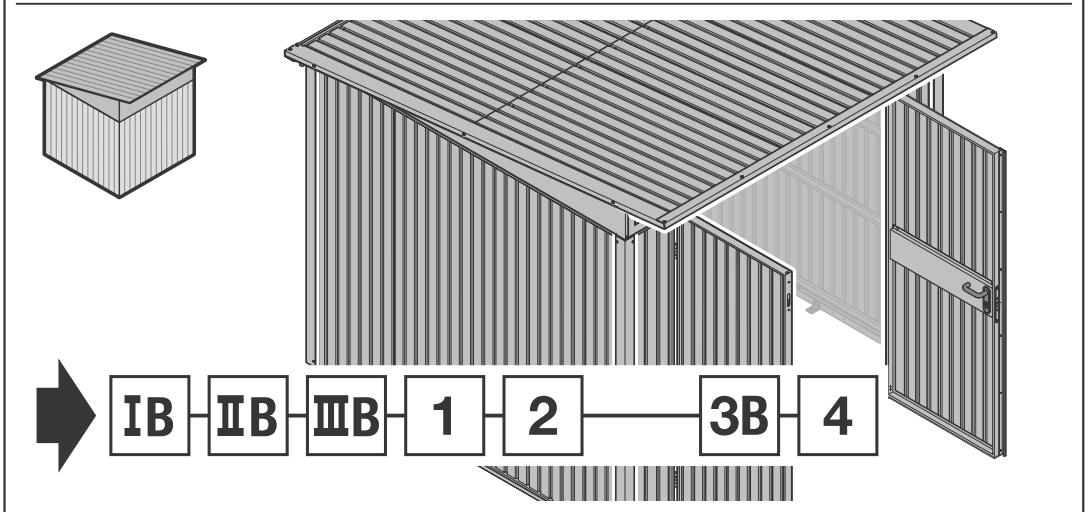
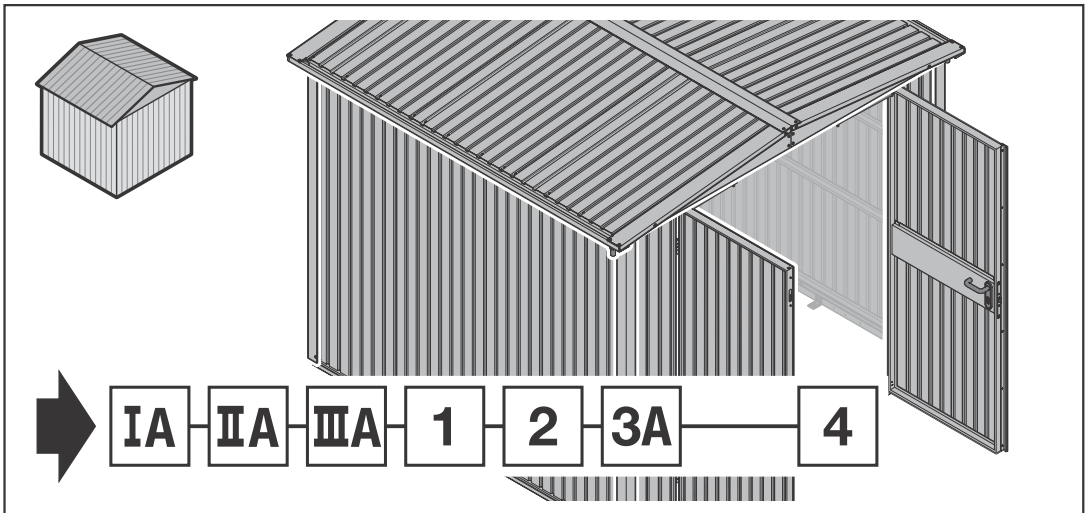
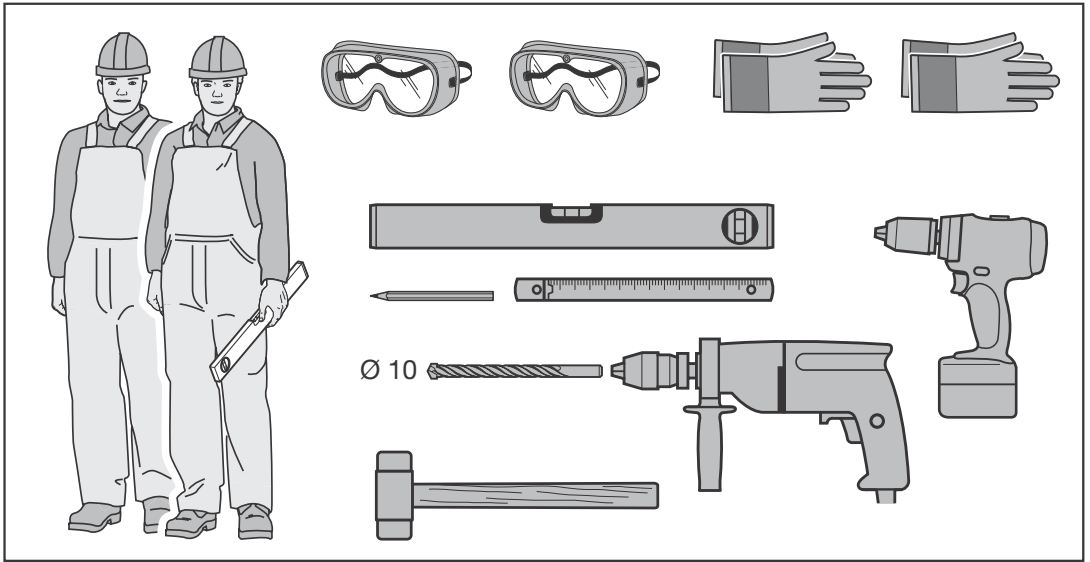


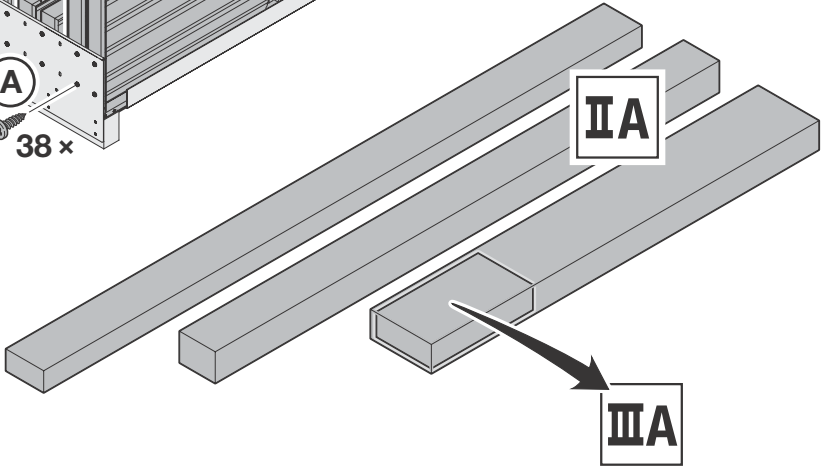
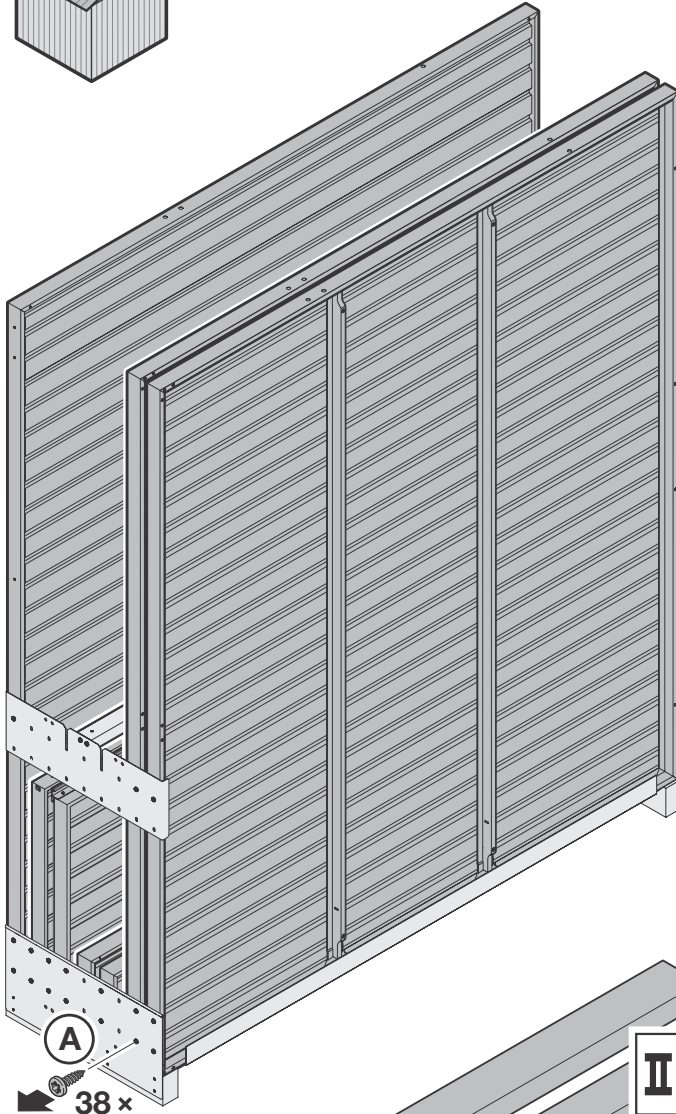
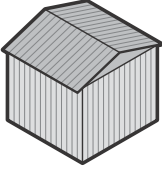
DANCOVER[®]

.com

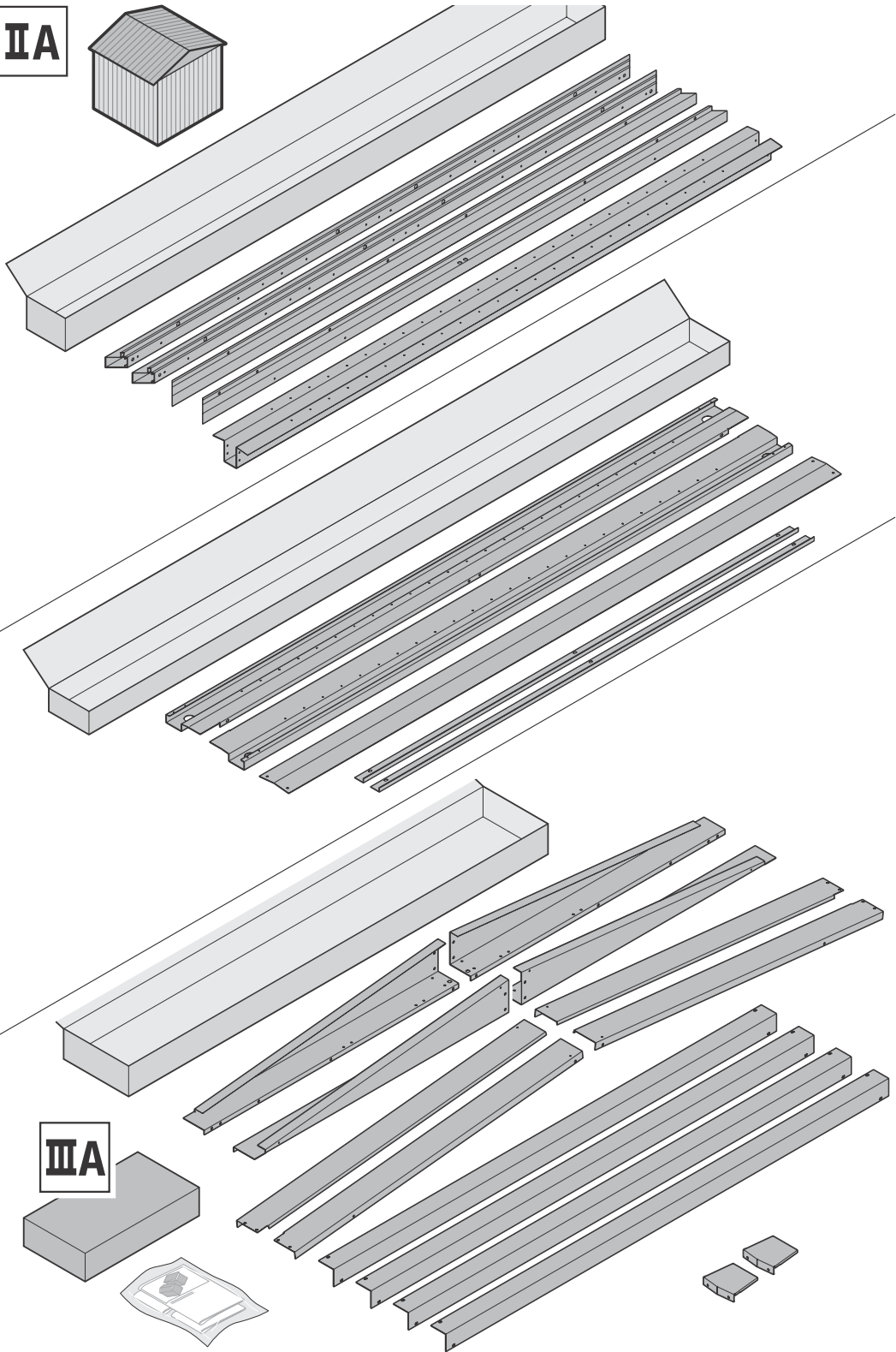
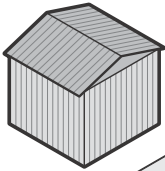
Manual
for
Metal Shed Elegant Typ3
3,24x2,48x2,19m



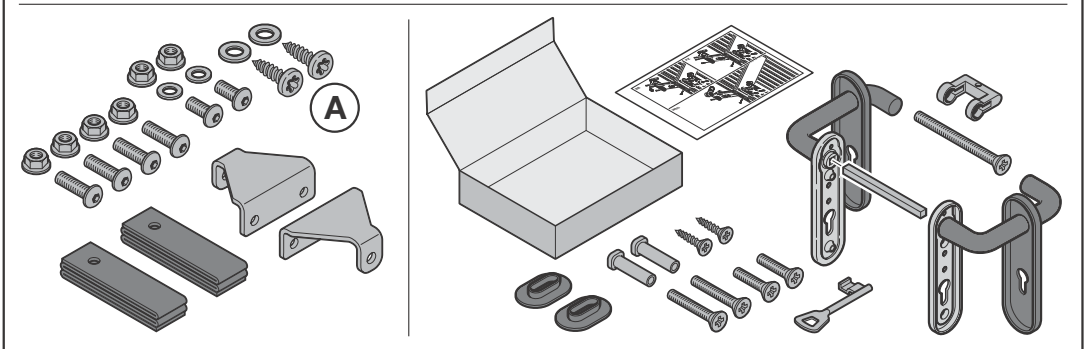
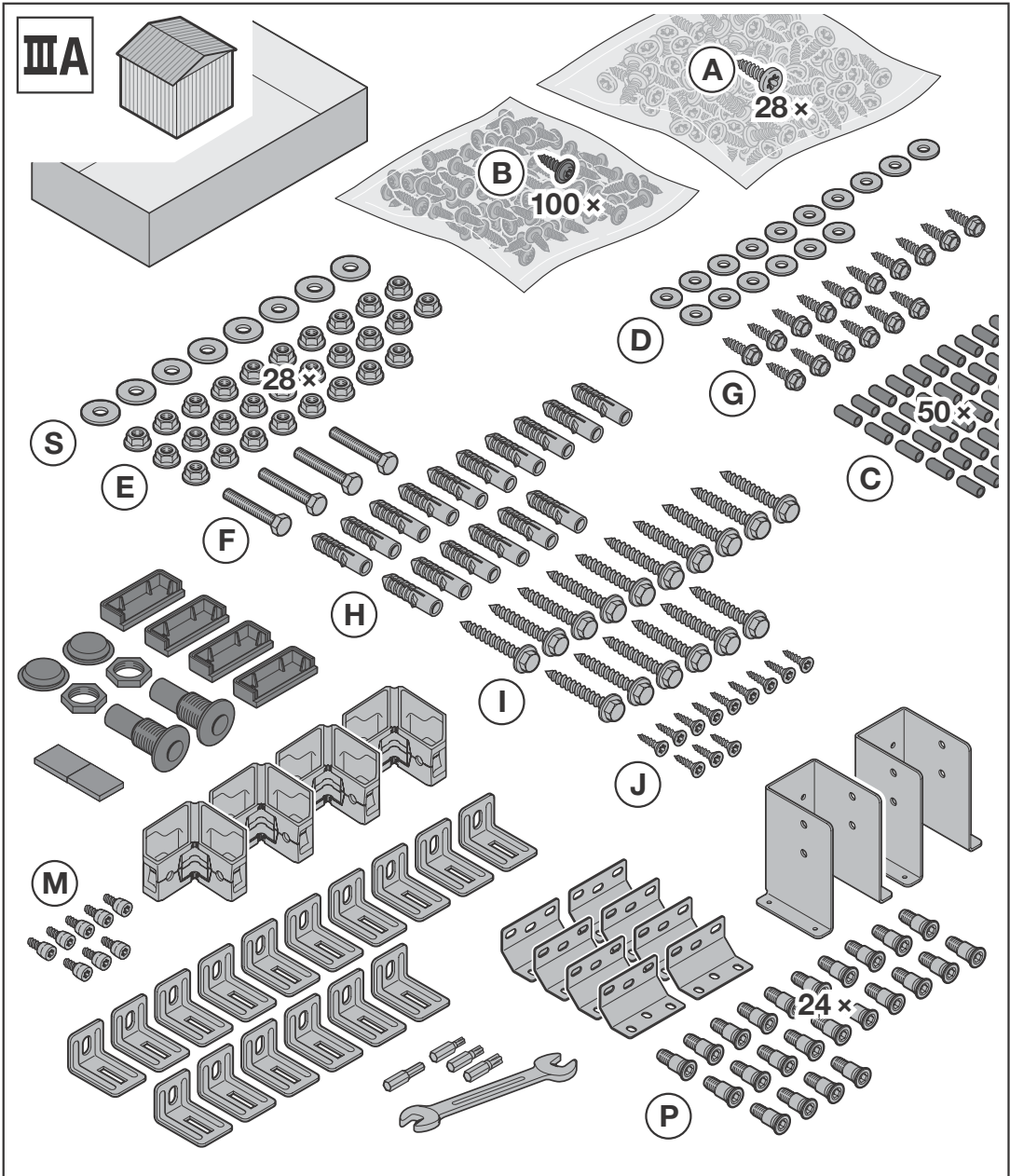
IA



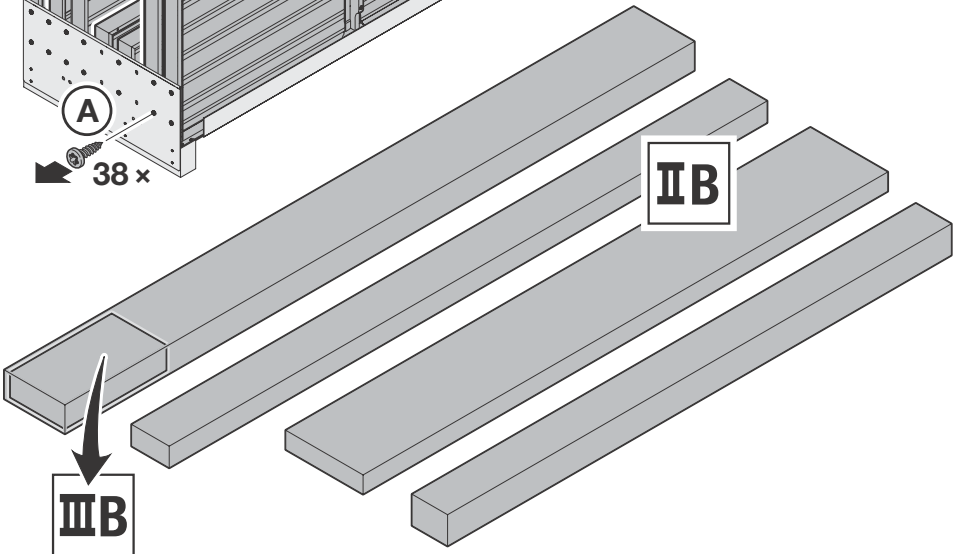
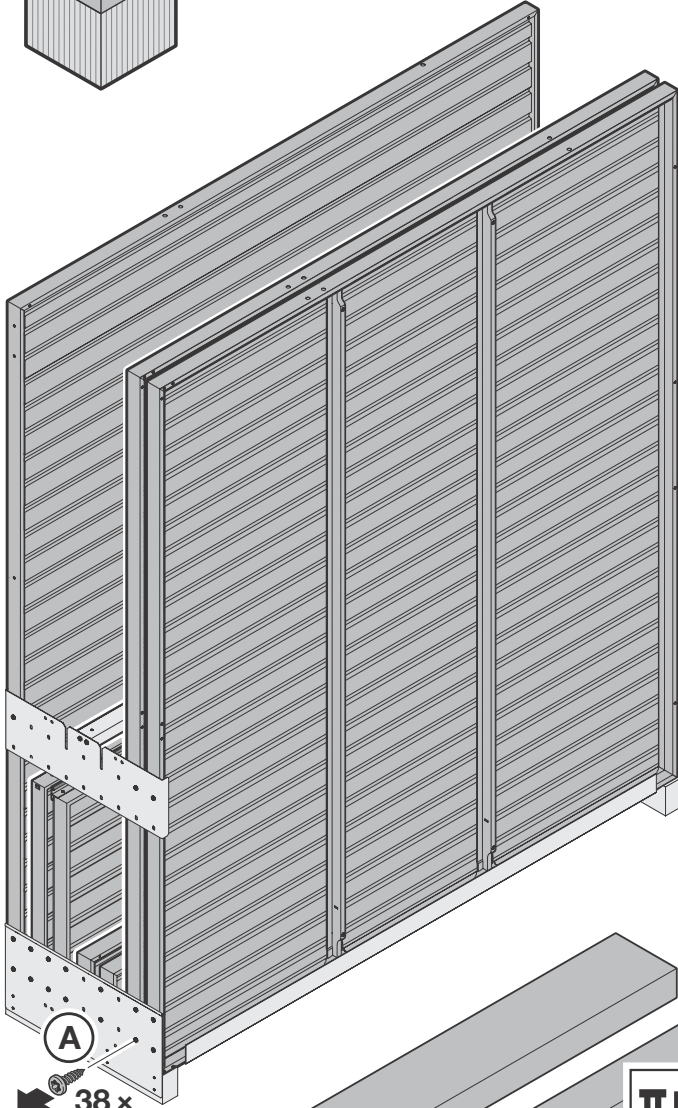
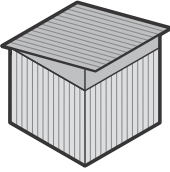
IIA



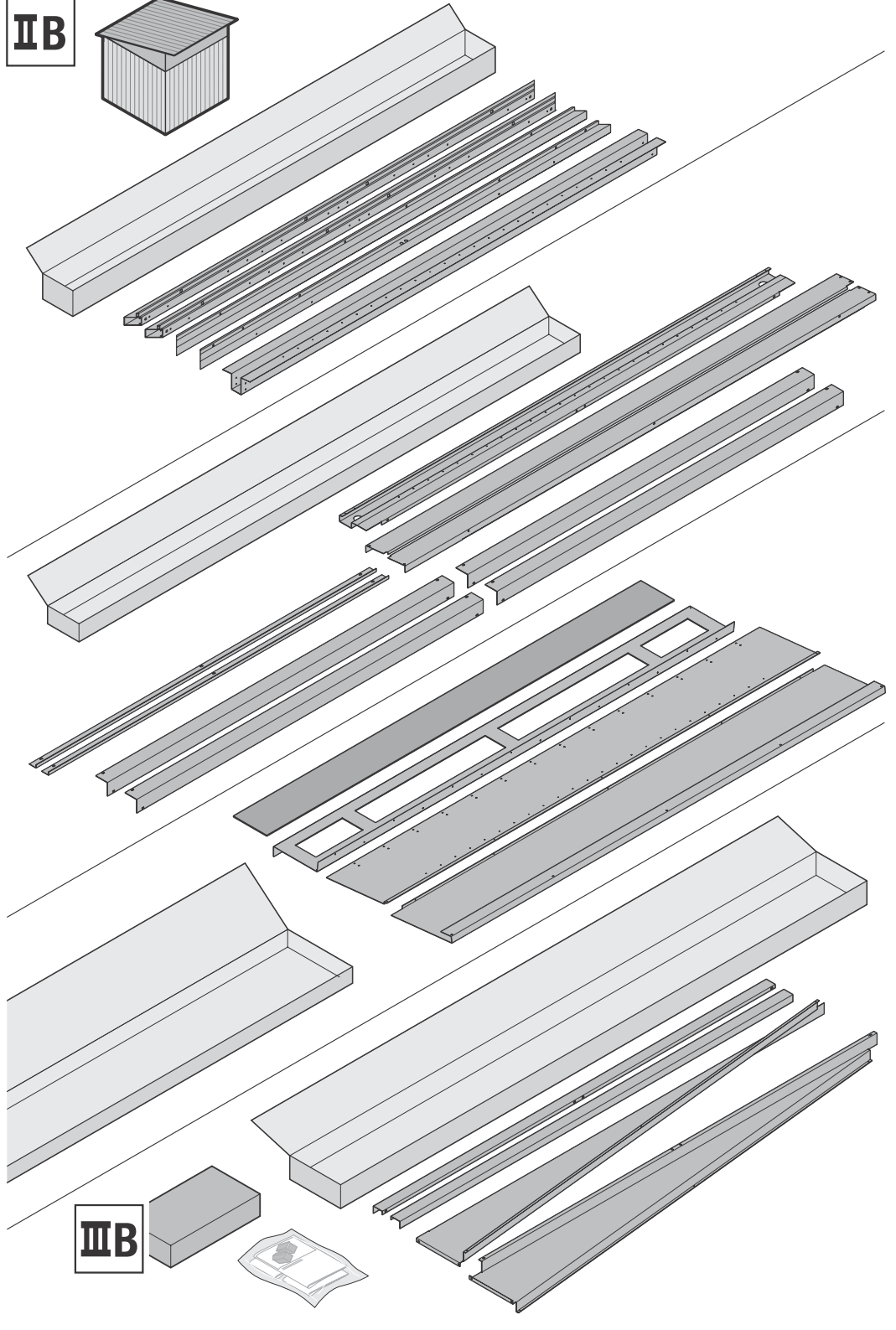
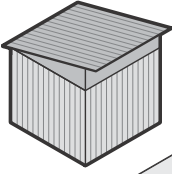
IIIA



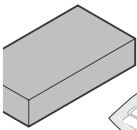
IB



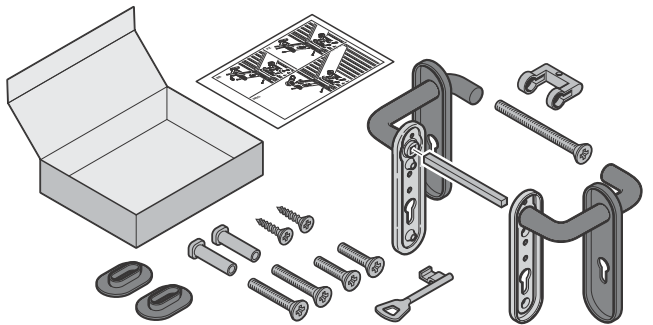
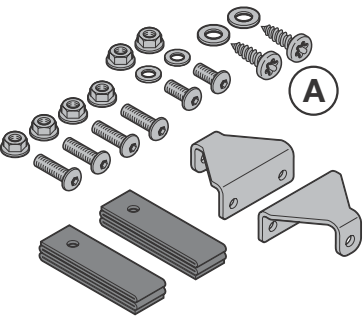
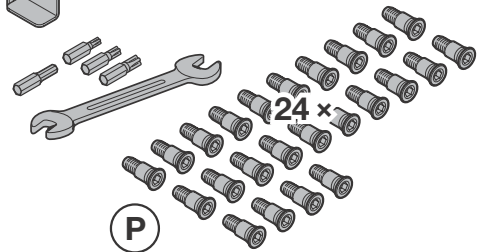
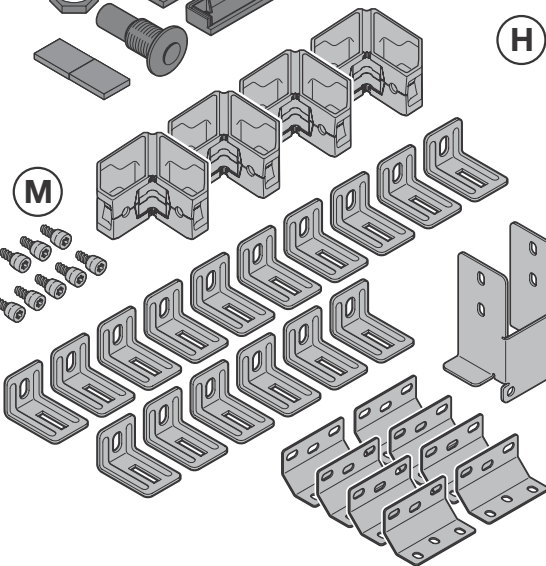
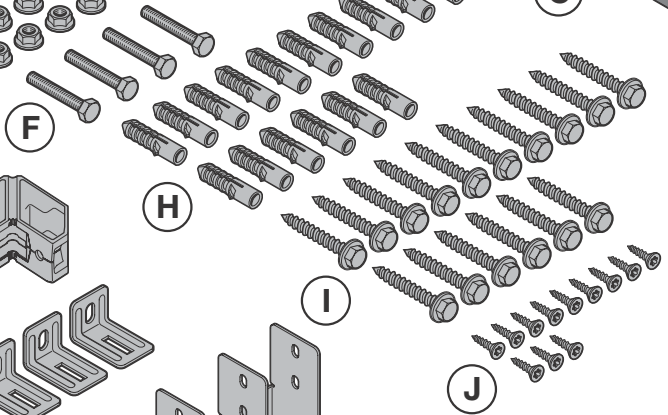
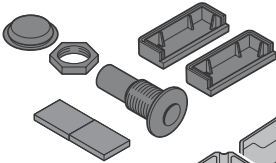
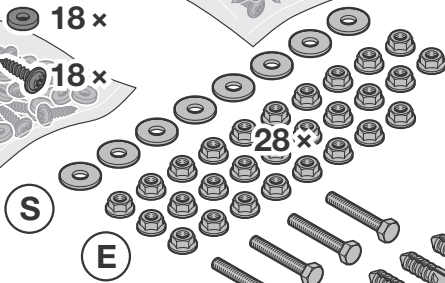
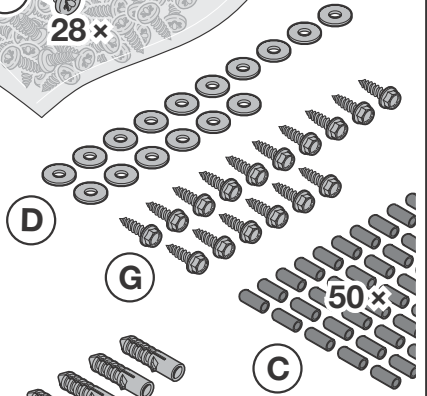
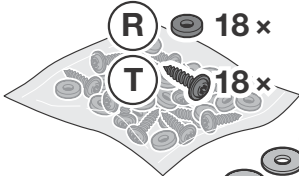
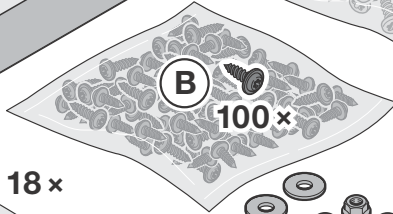
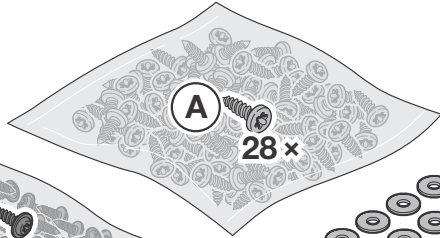
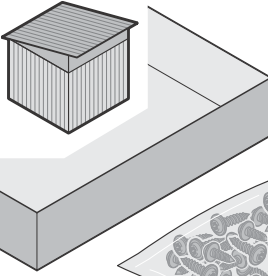
IB



III B



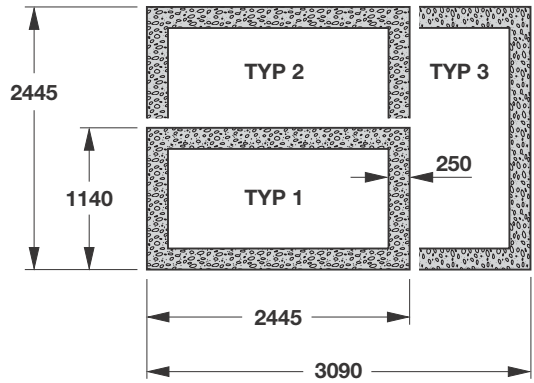
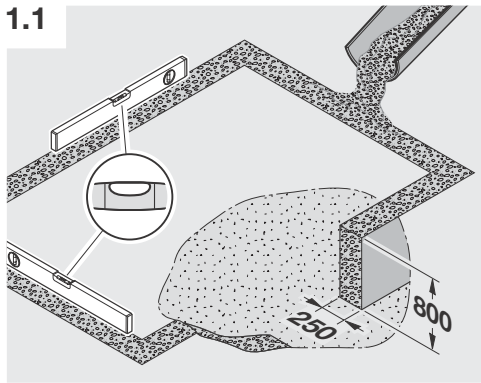
III B



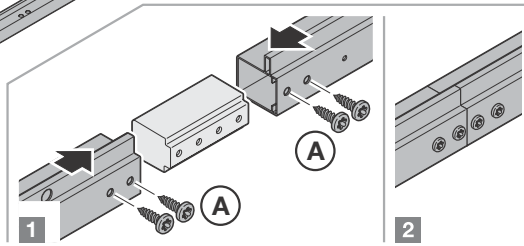
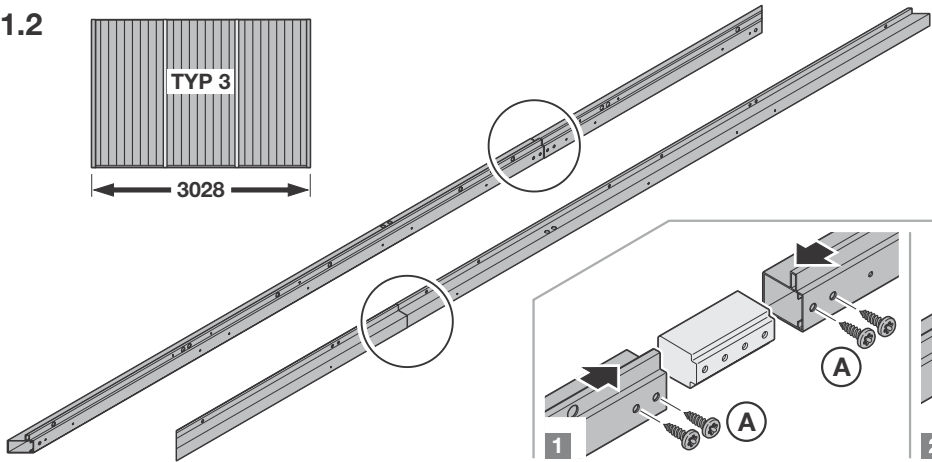
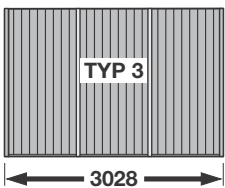
1



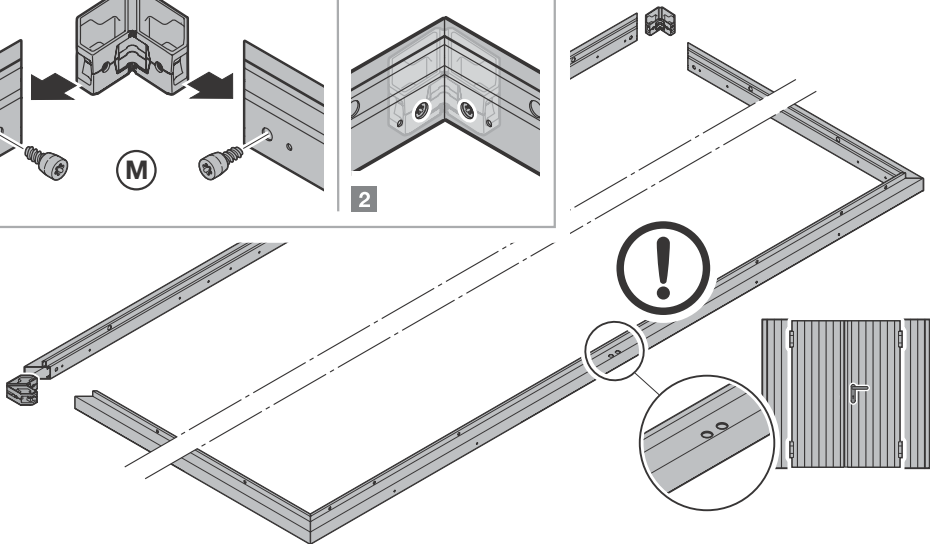
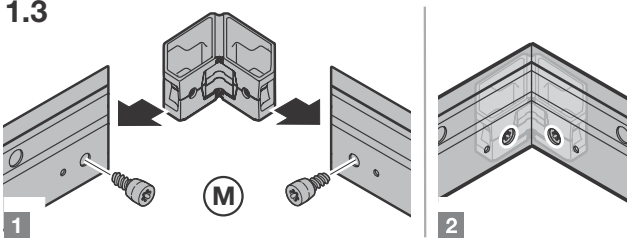
1.1



1.2



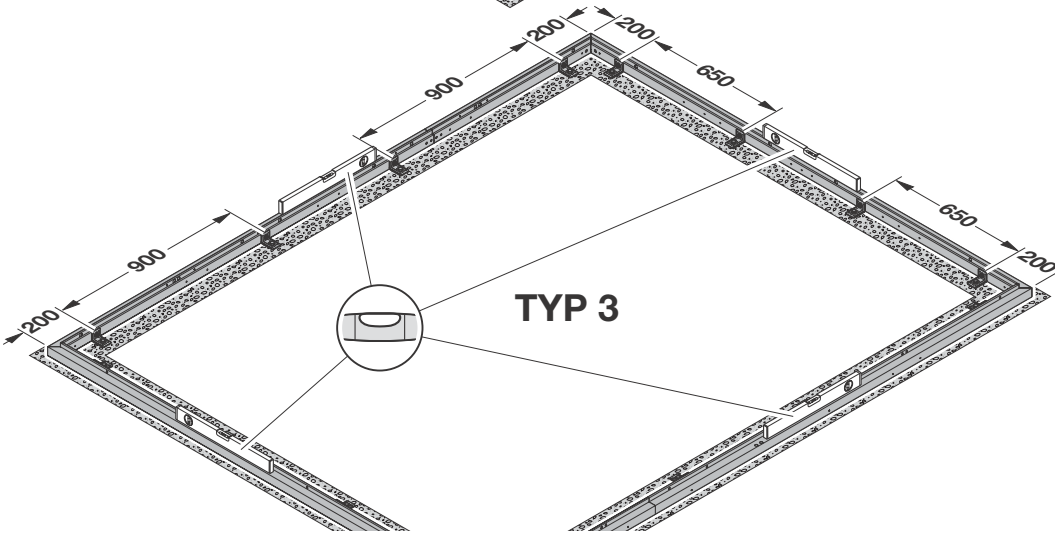
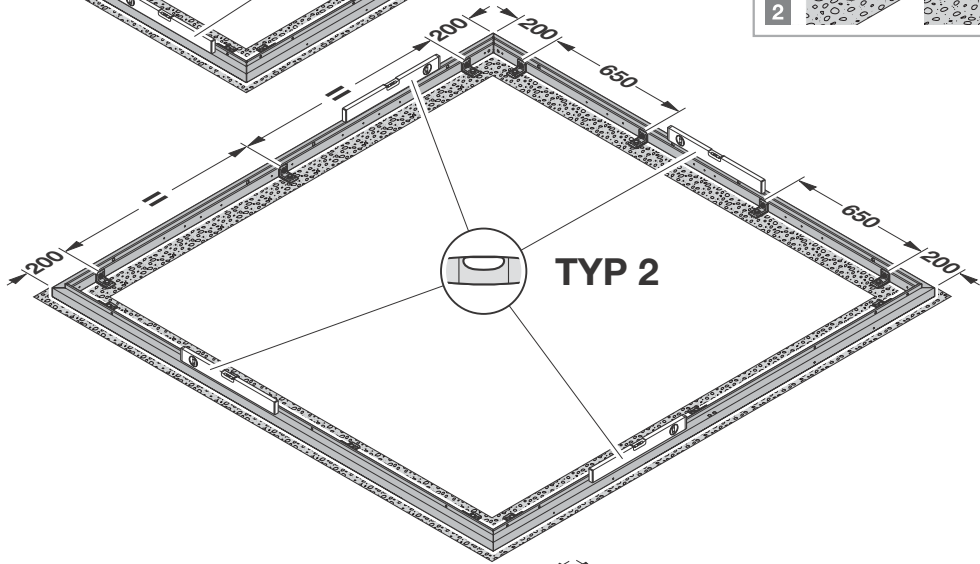
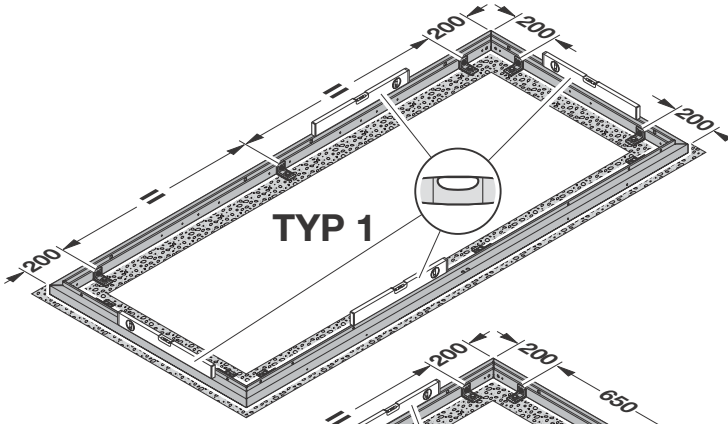
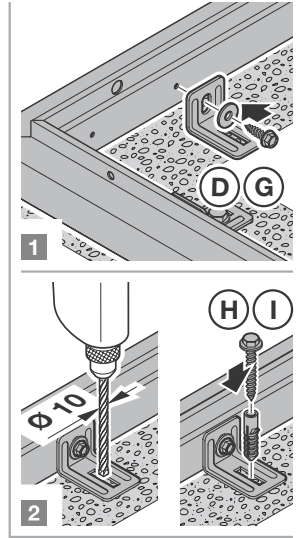
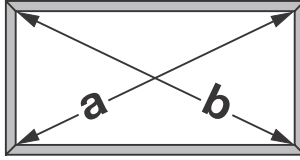
1.3



1.4

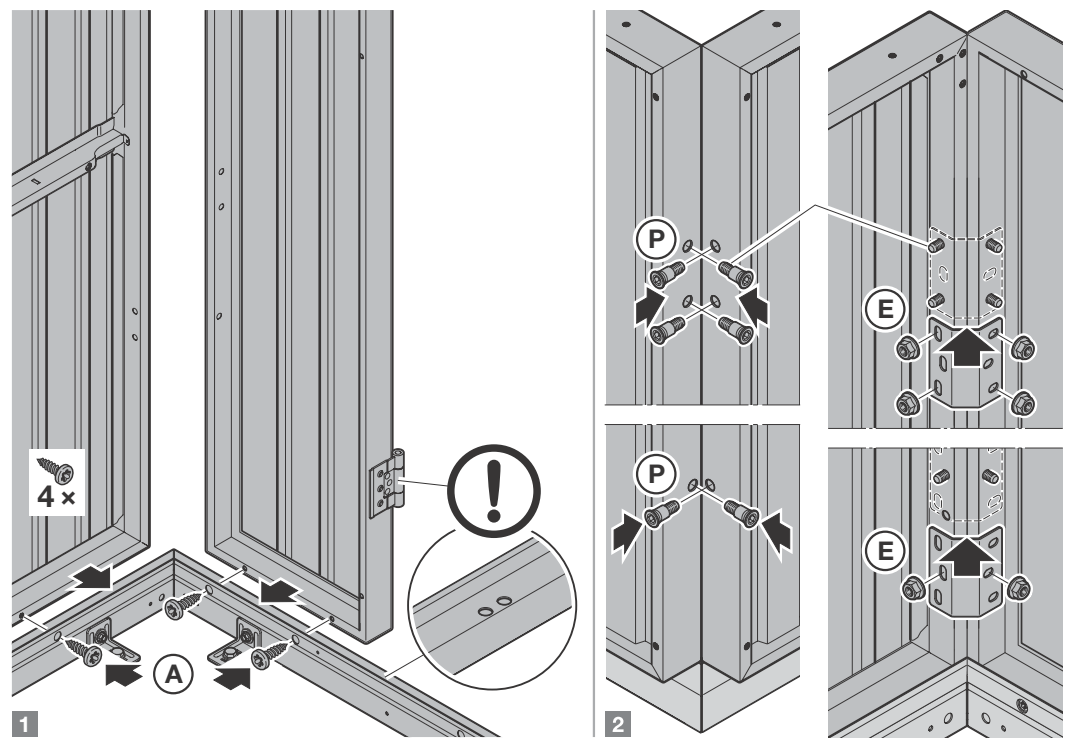
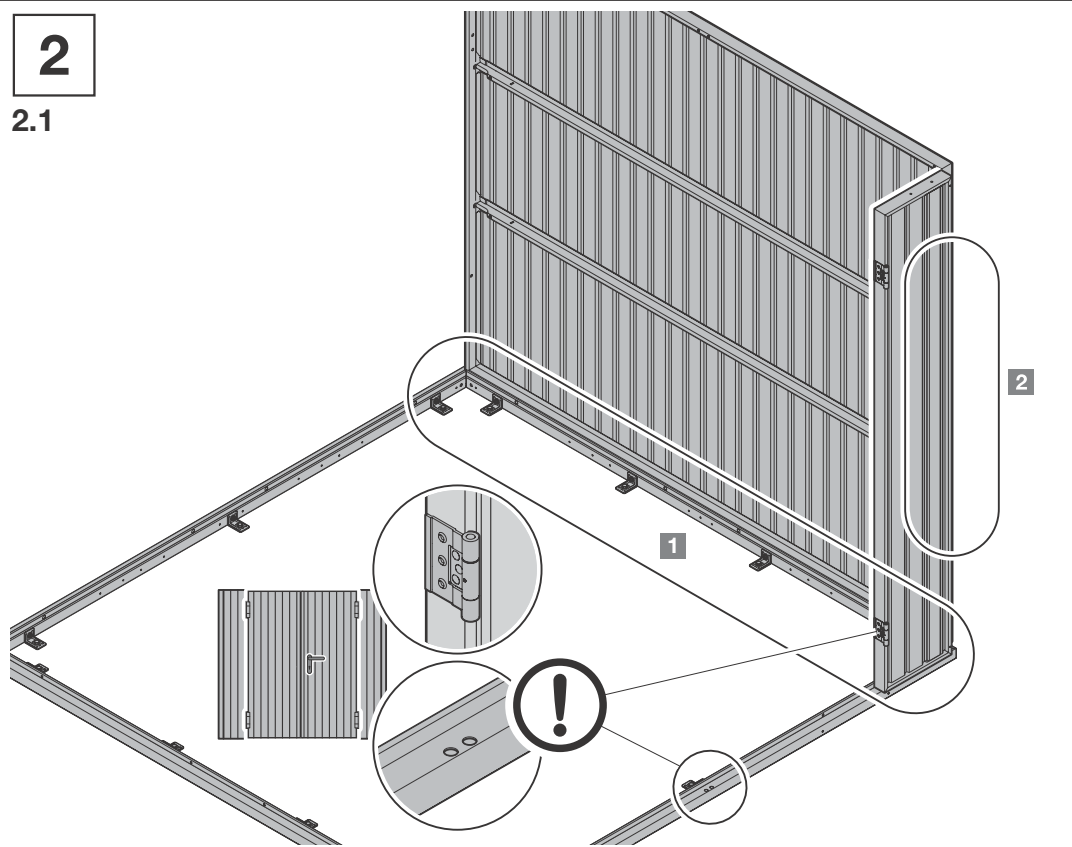


$a = b$

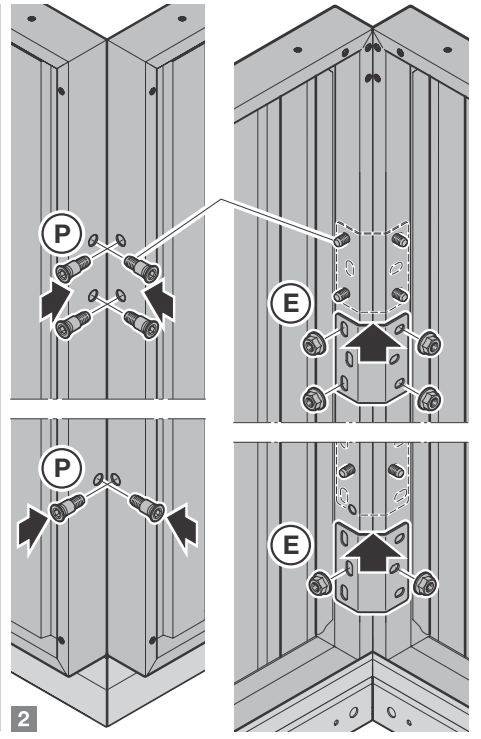
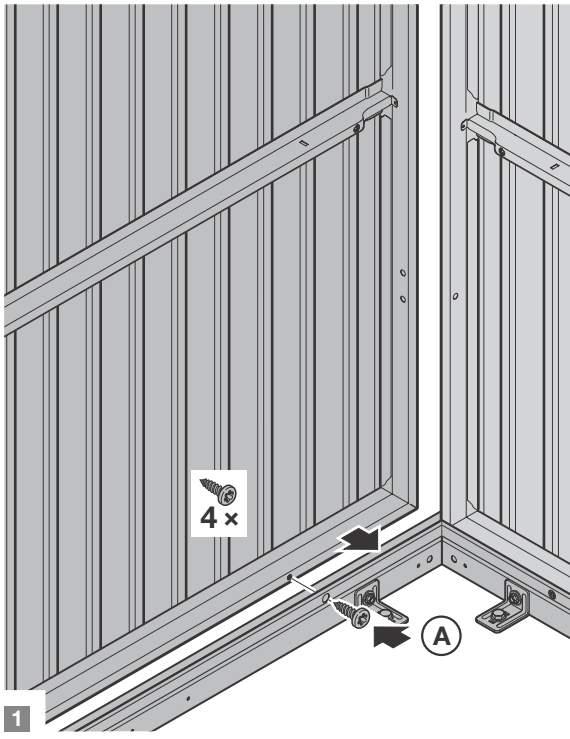
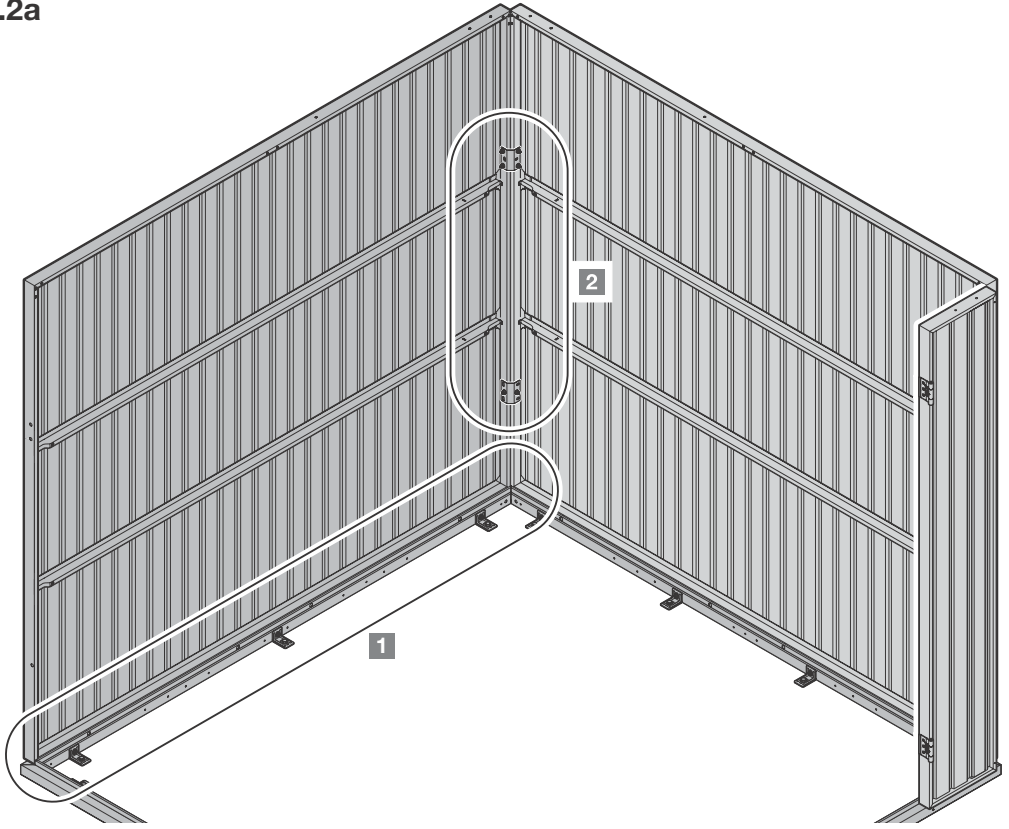


2

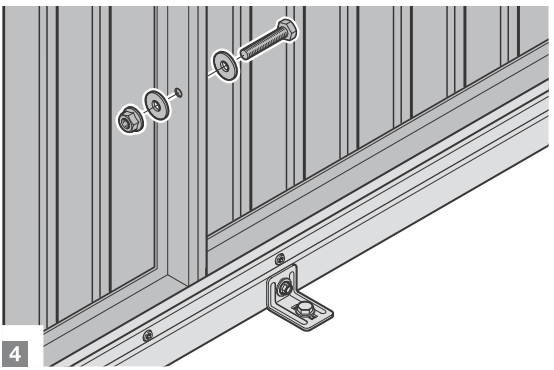
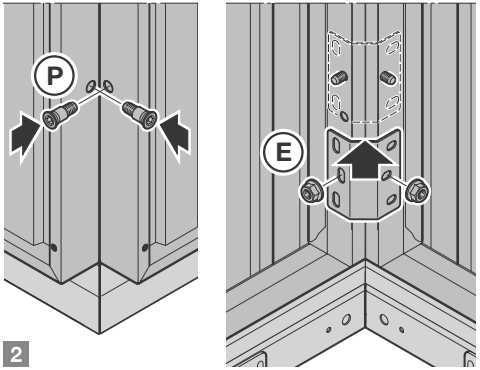
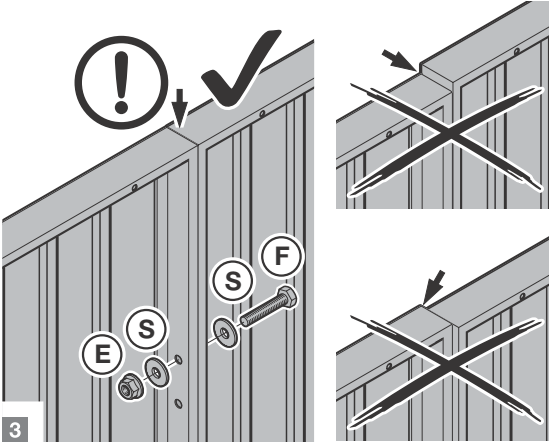
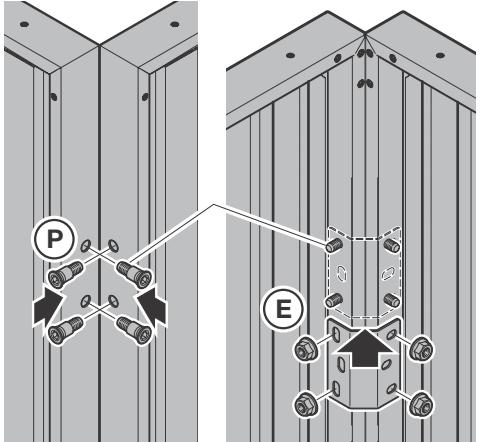
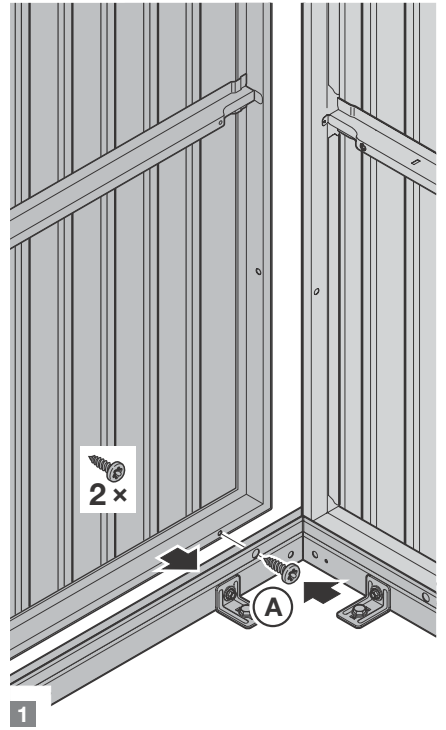
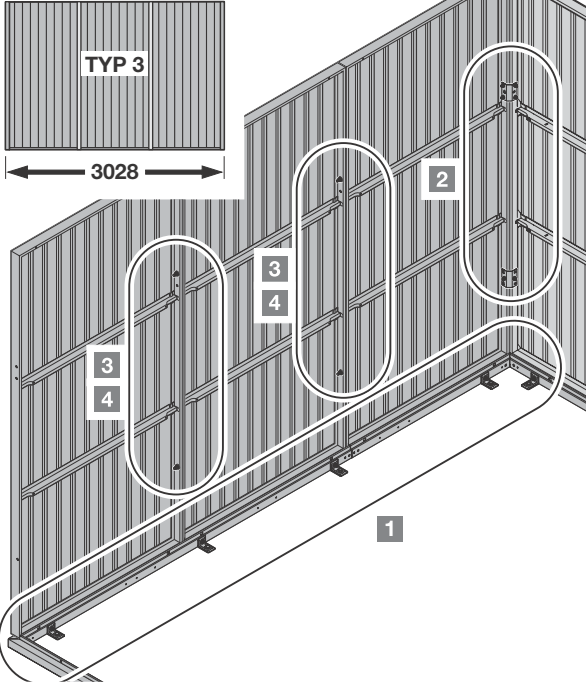
2.1



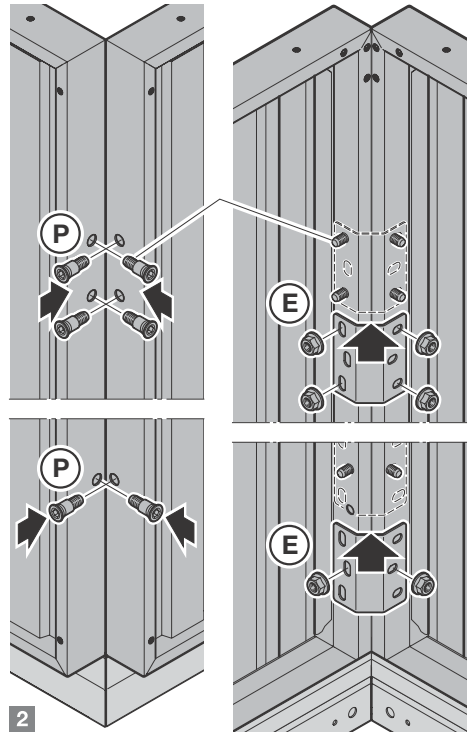
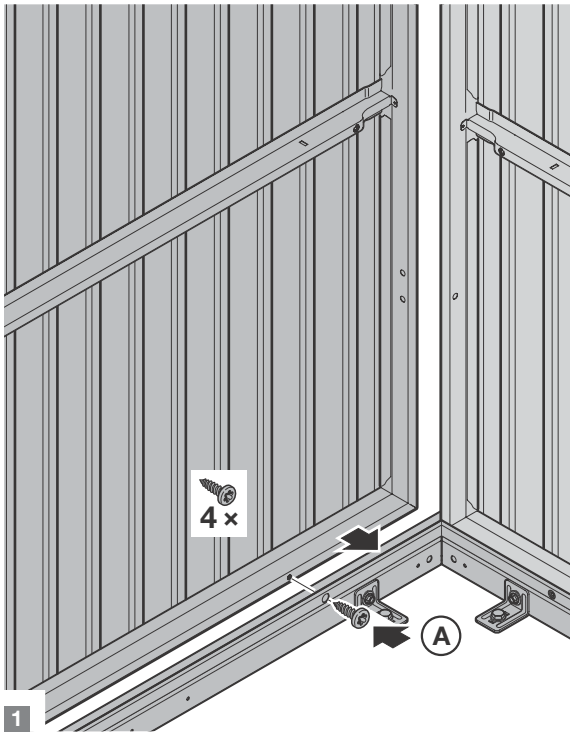
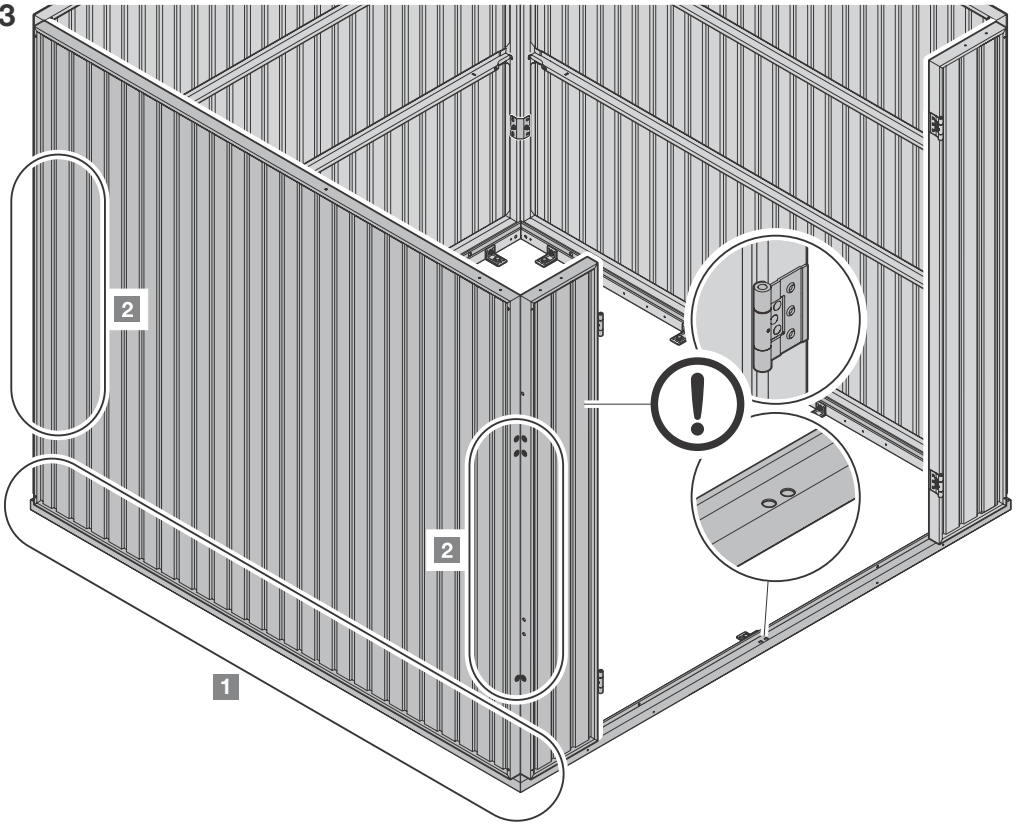
2.2a



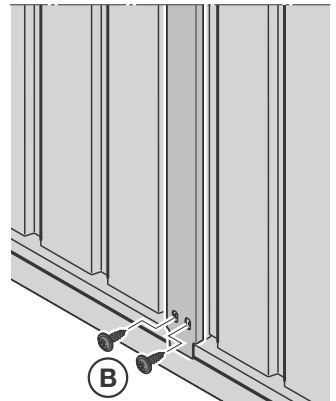
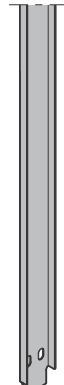
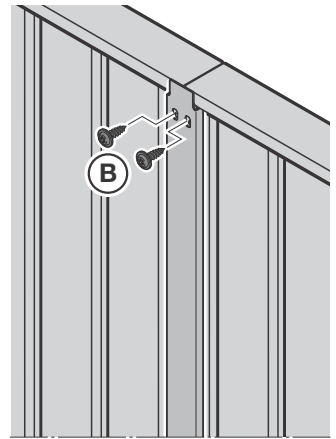
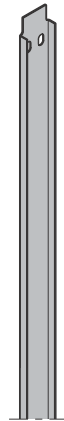
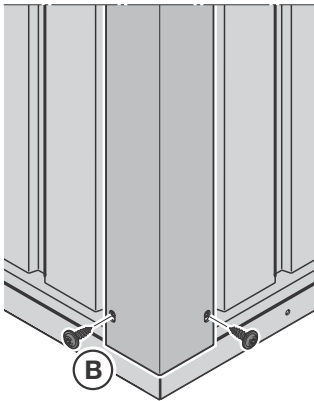
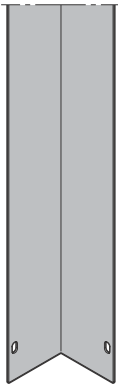
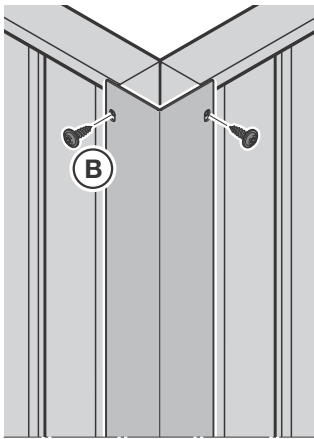
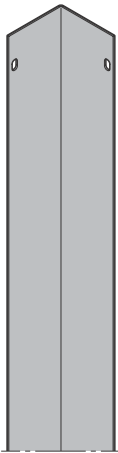
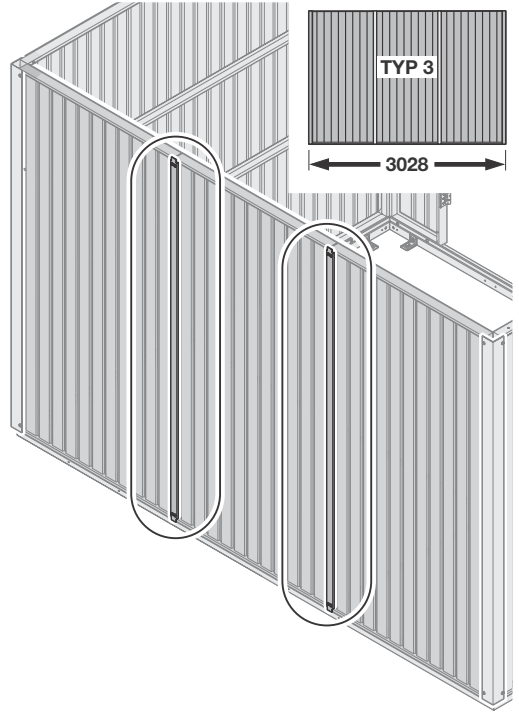
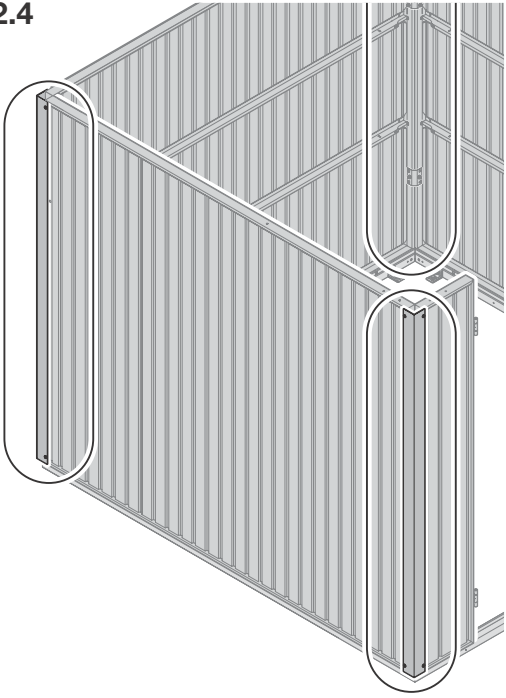
2.2b

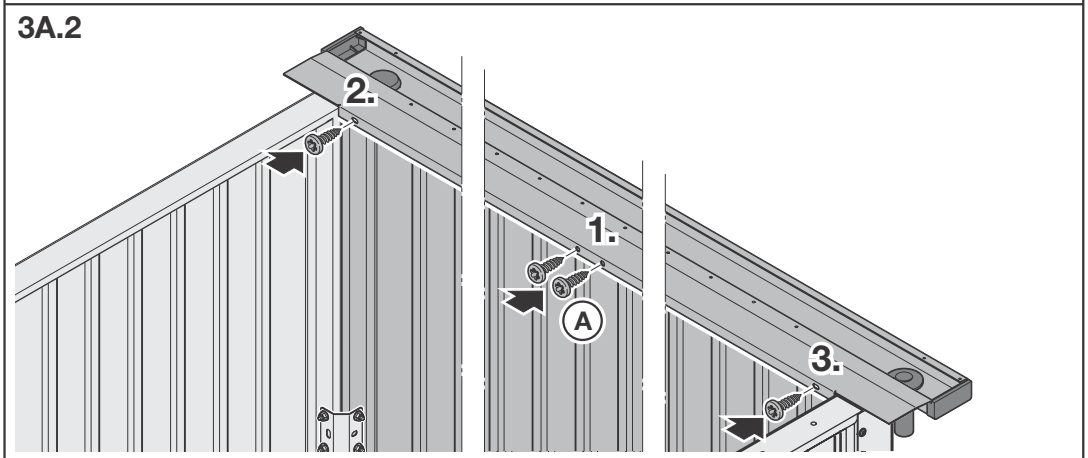
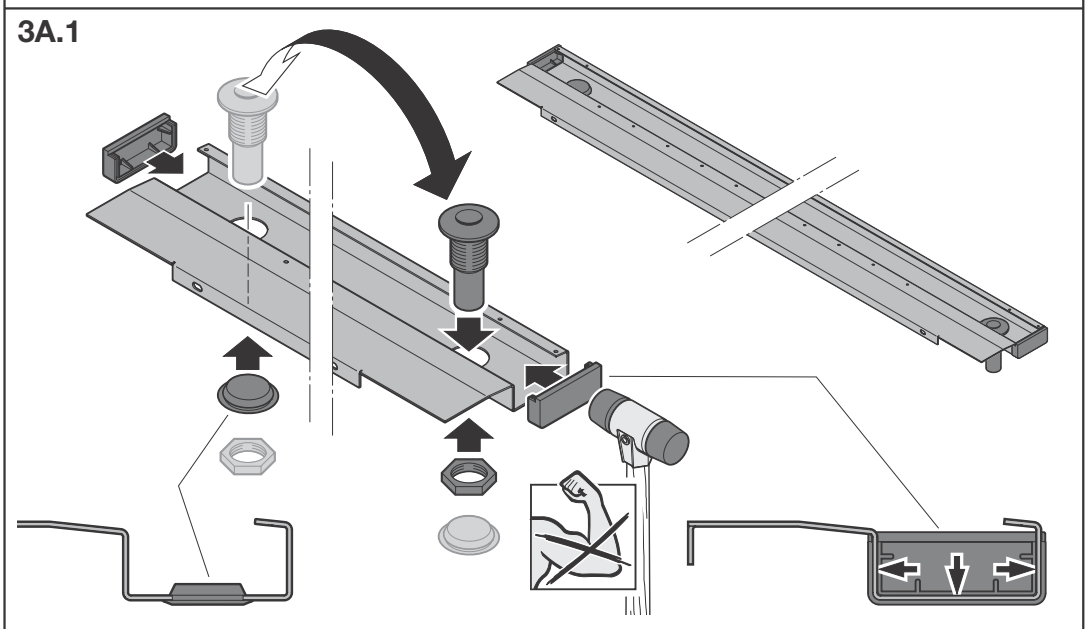
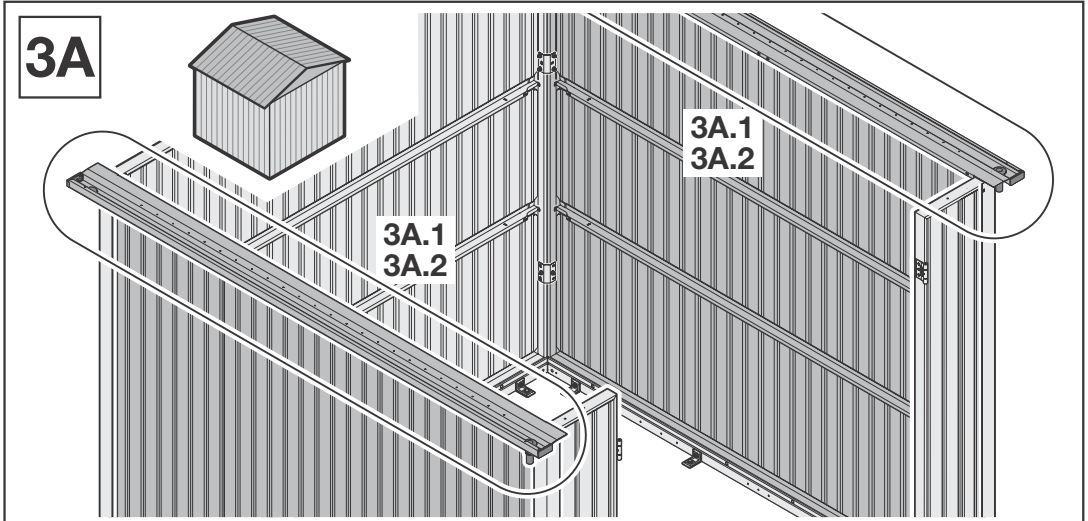


2.3

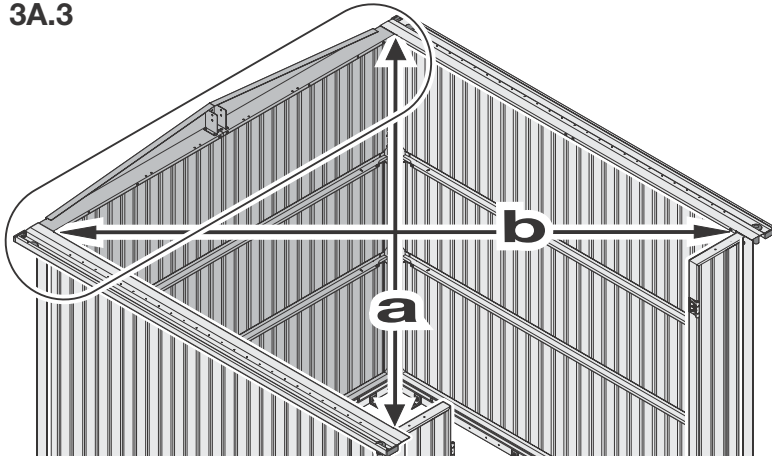


2.4

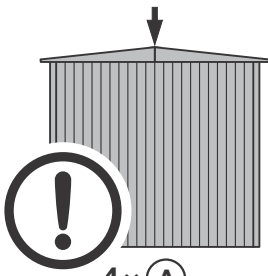
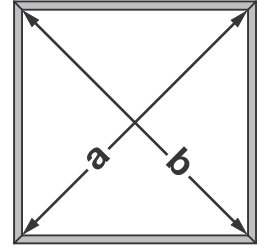




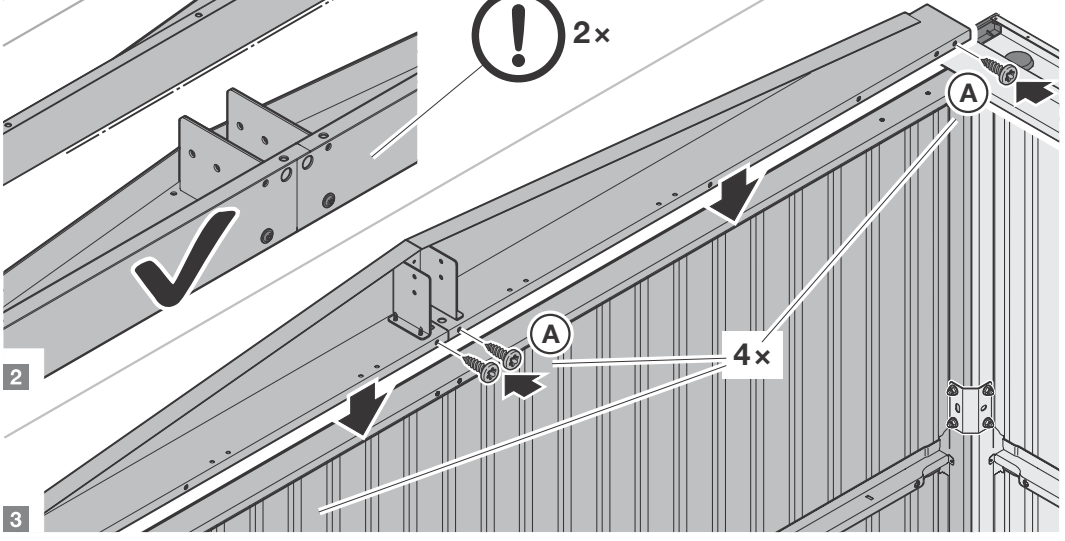
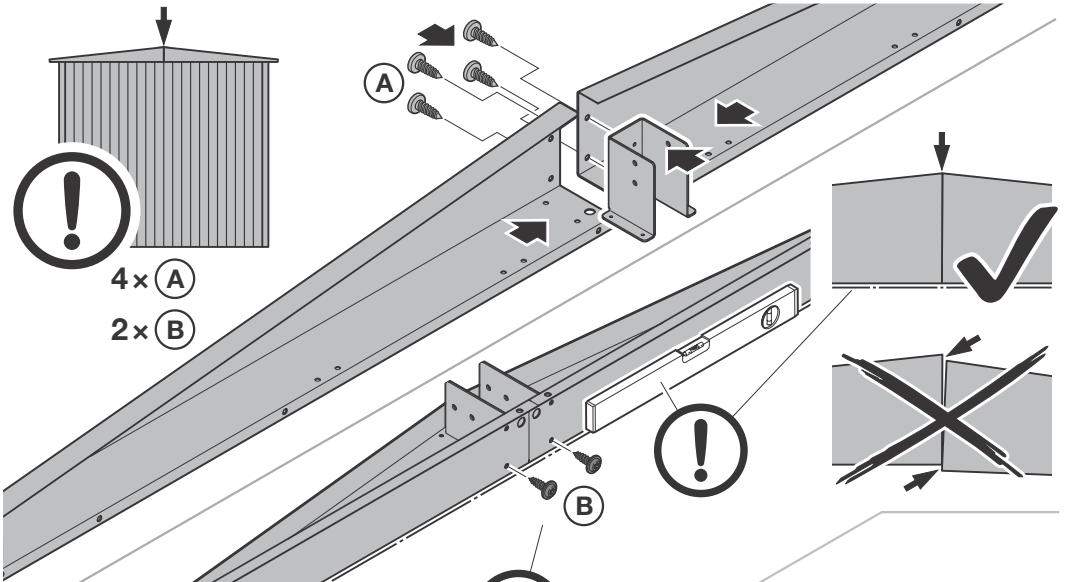
3A.3



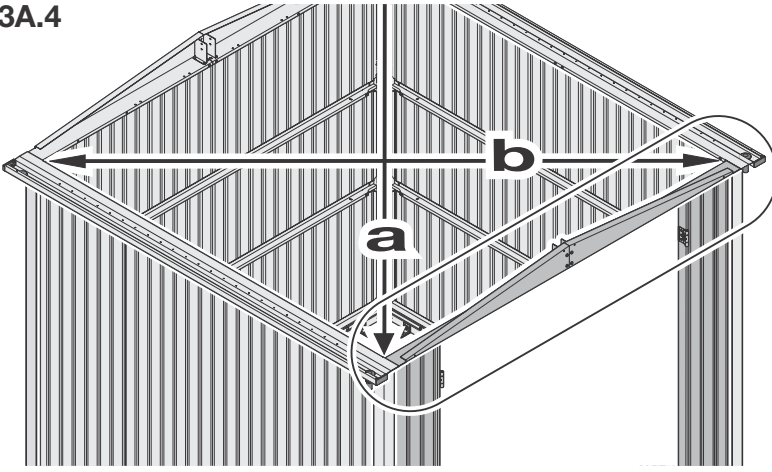
$a = b$



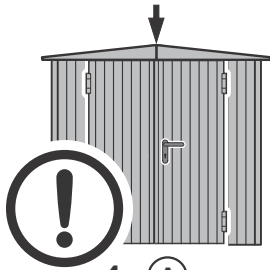
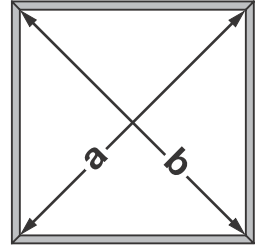
4 x (A)
2 x (B)



3A.4

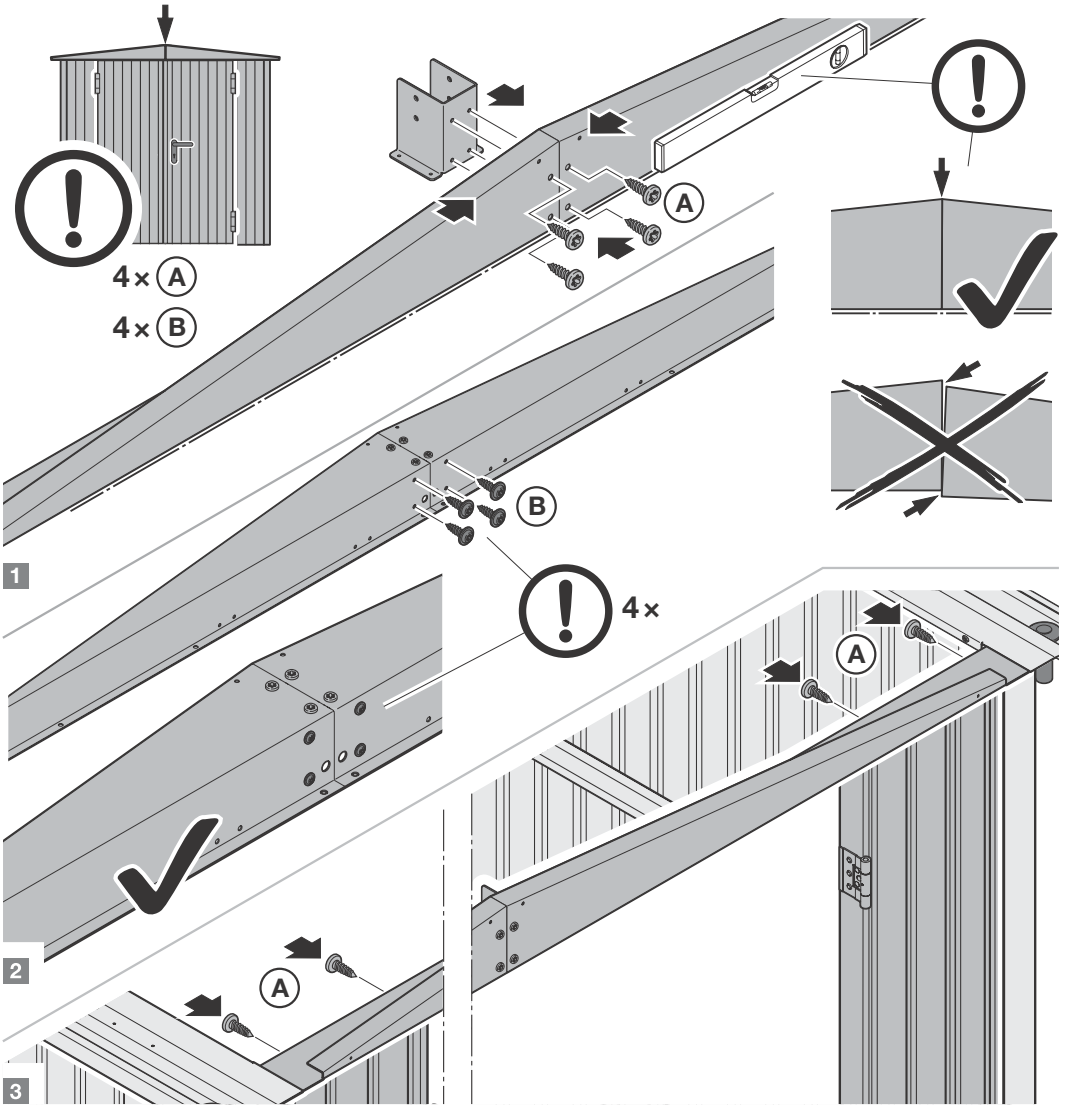


$a = b$

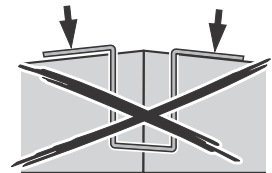
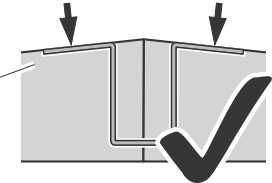
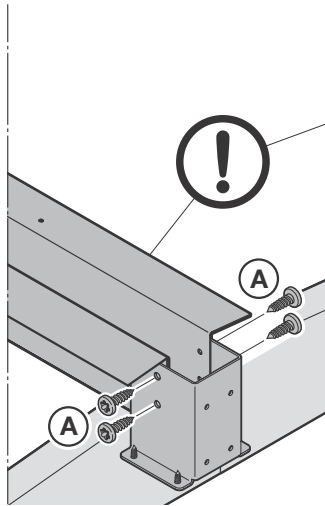
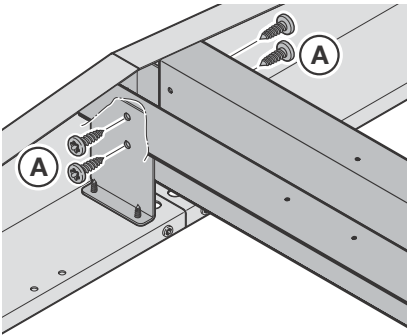
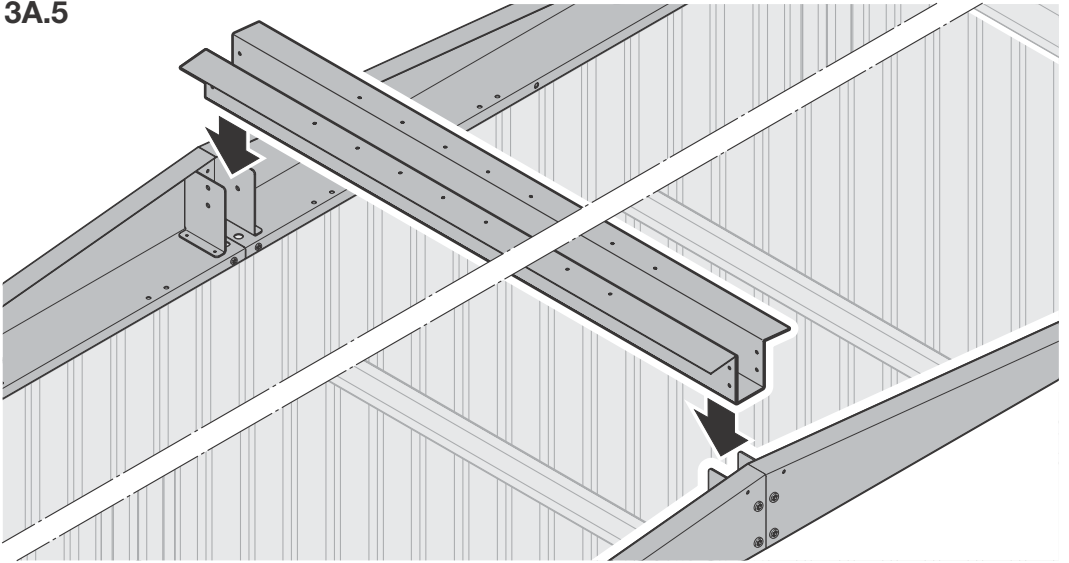


4x (A)

4x (B)



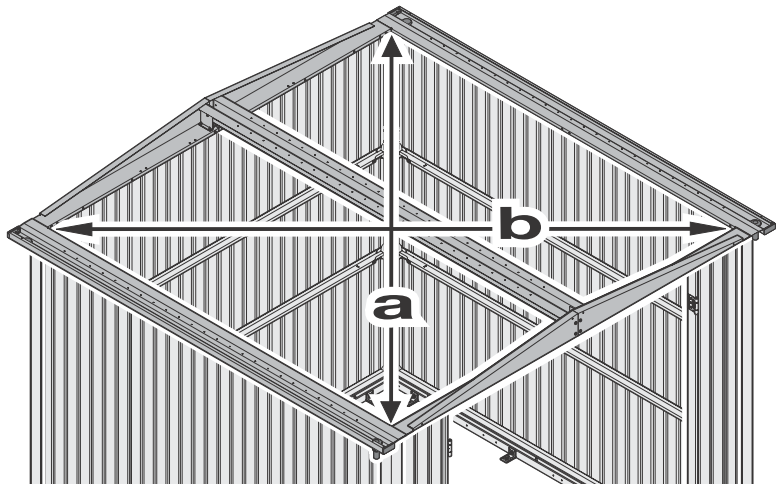
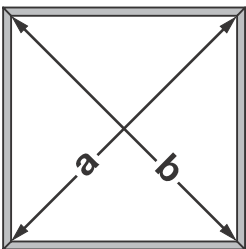
3A.5



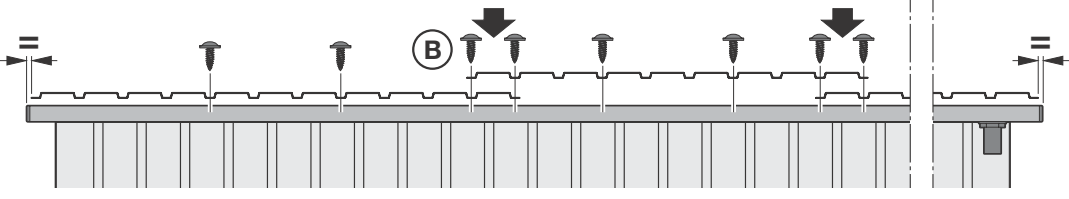
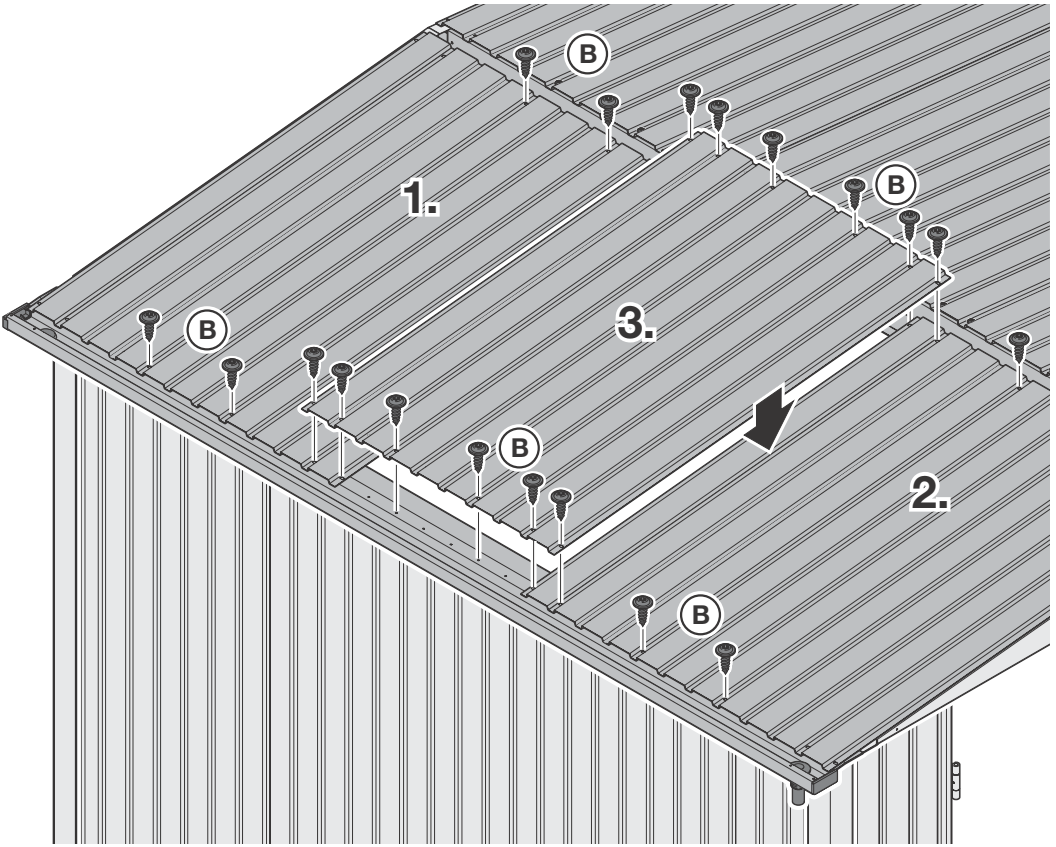
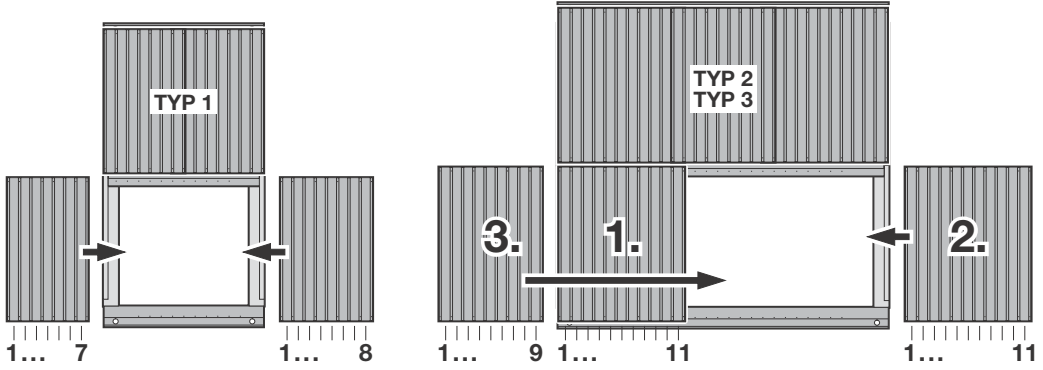
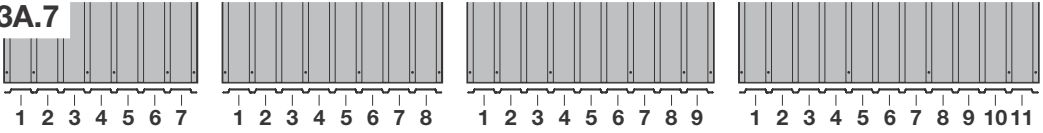
3A.6



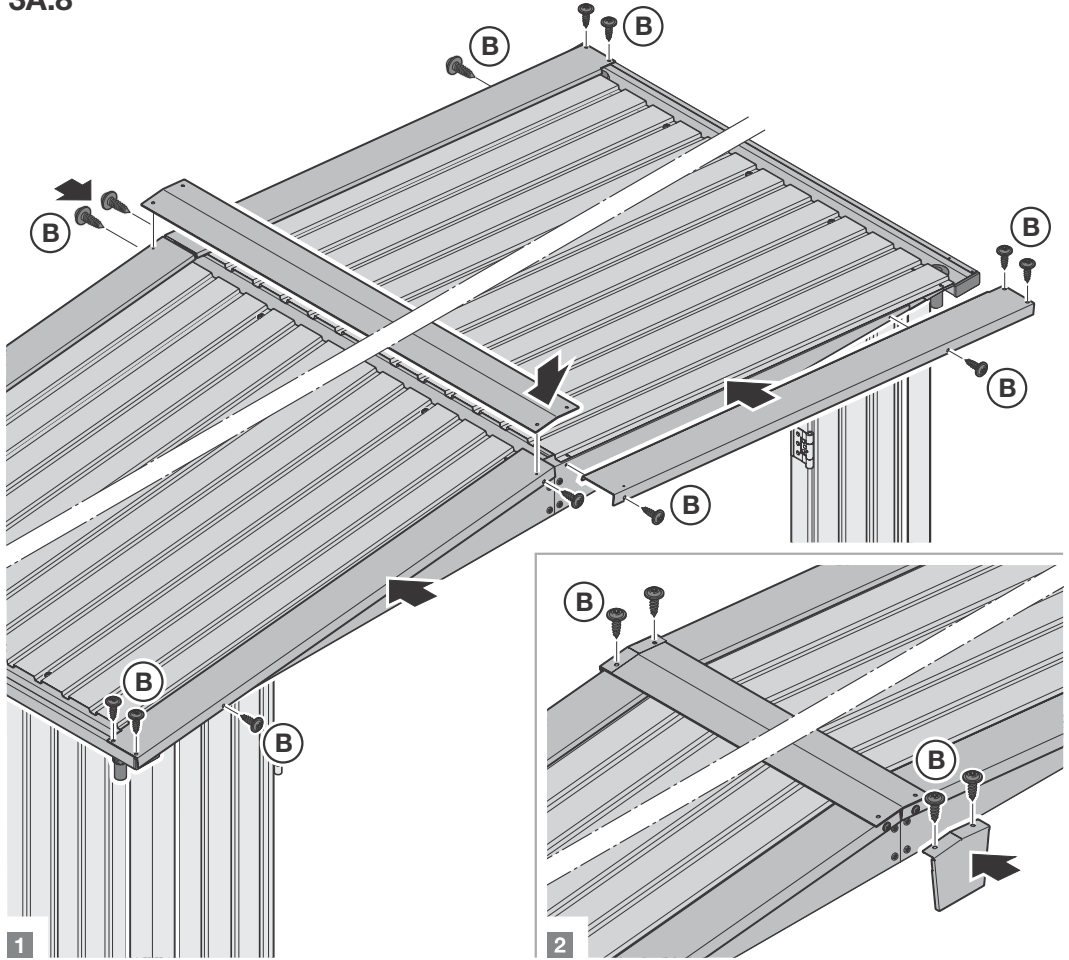
$a = b$



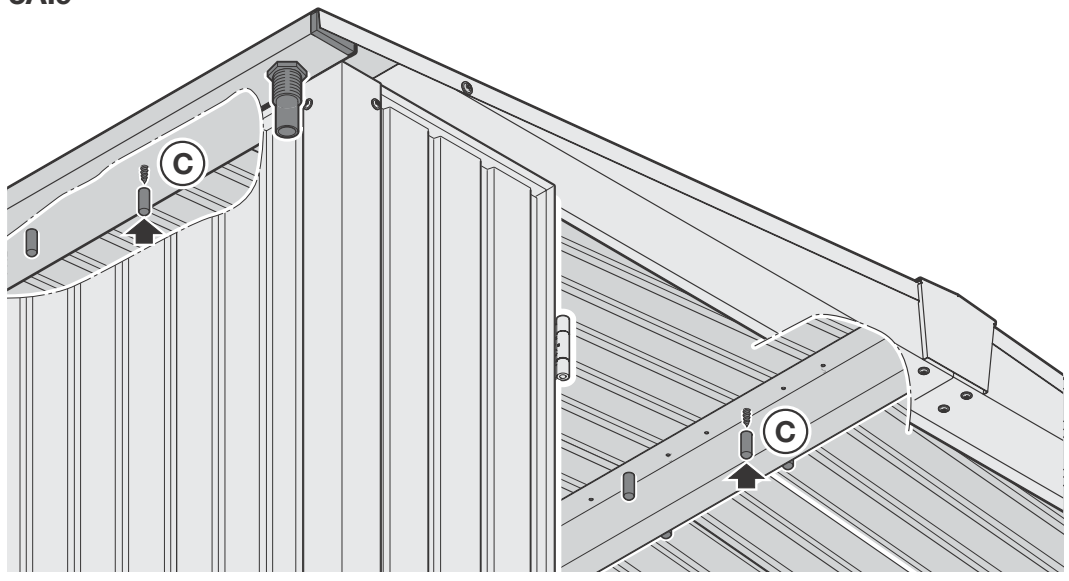
3A.7



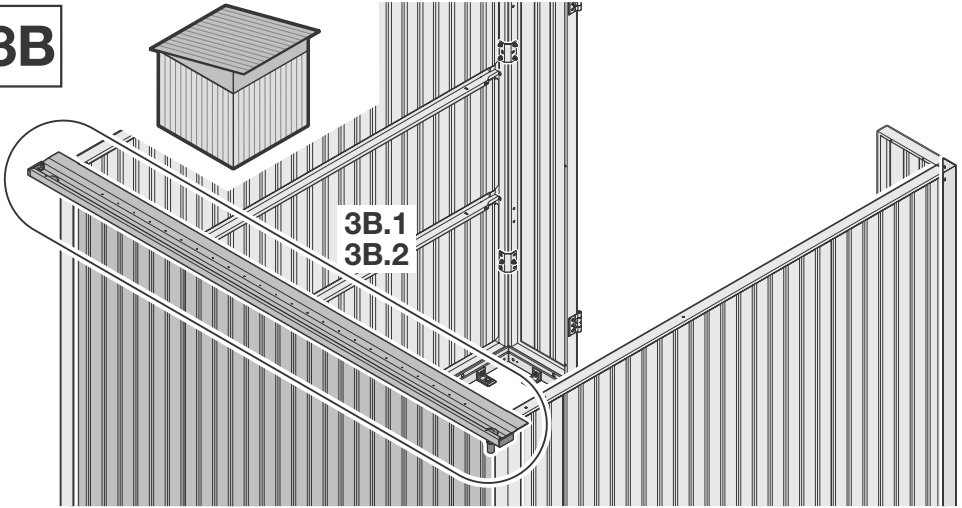
3A.8



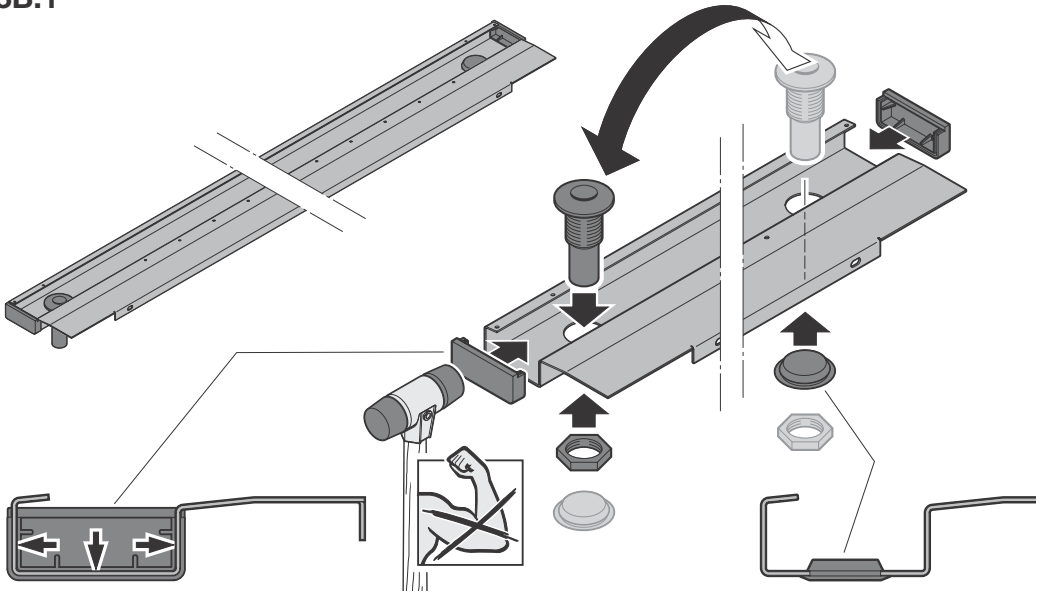
3A.9



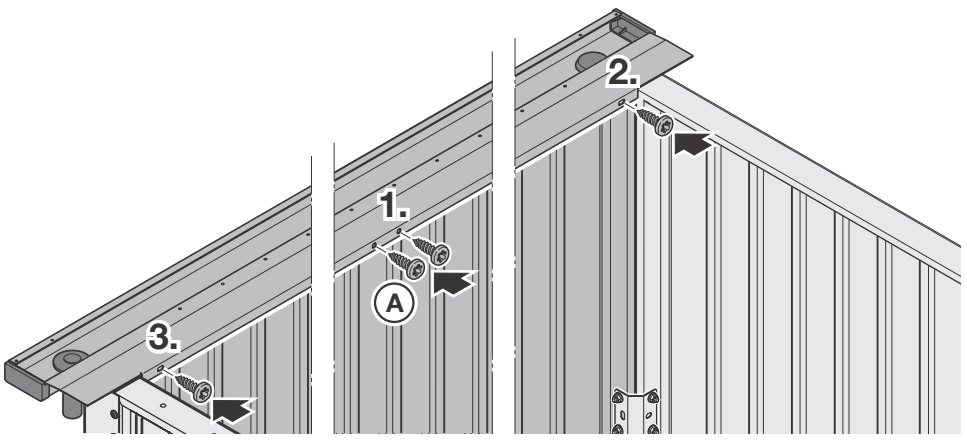
3B

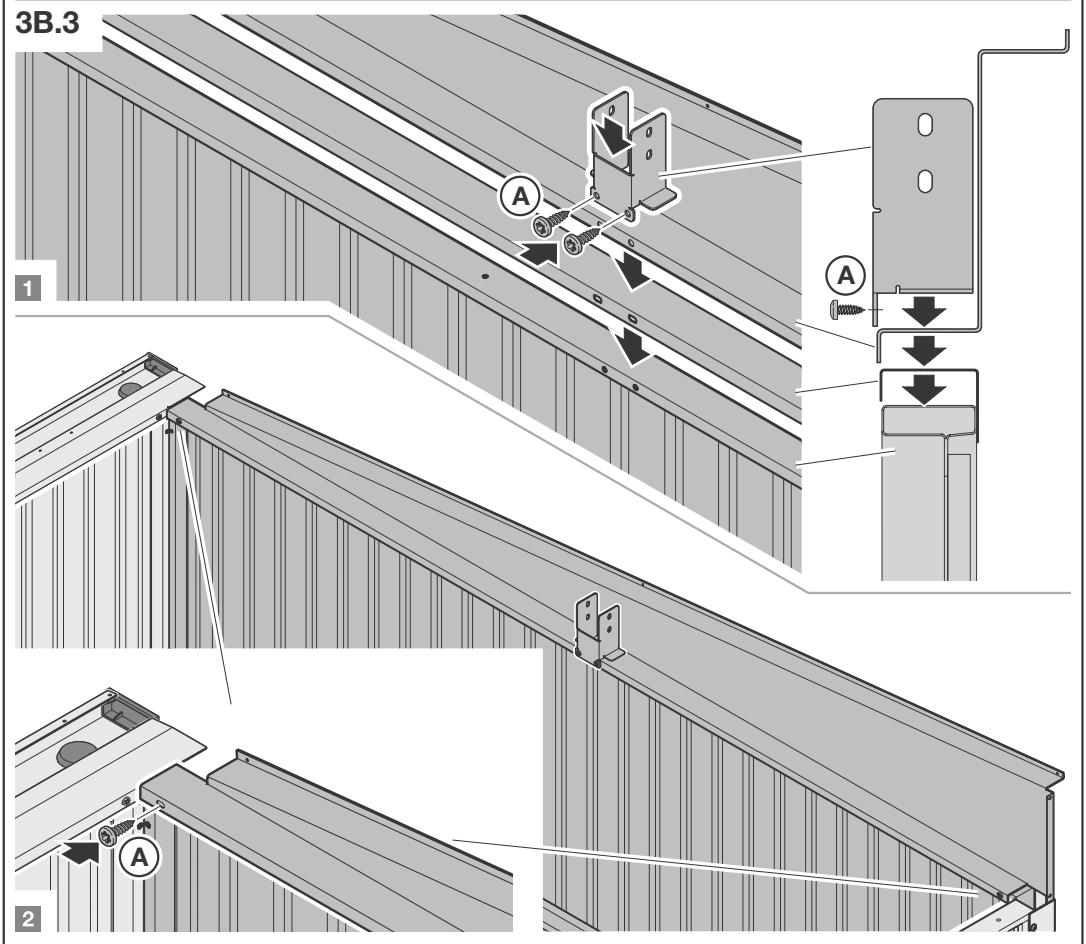
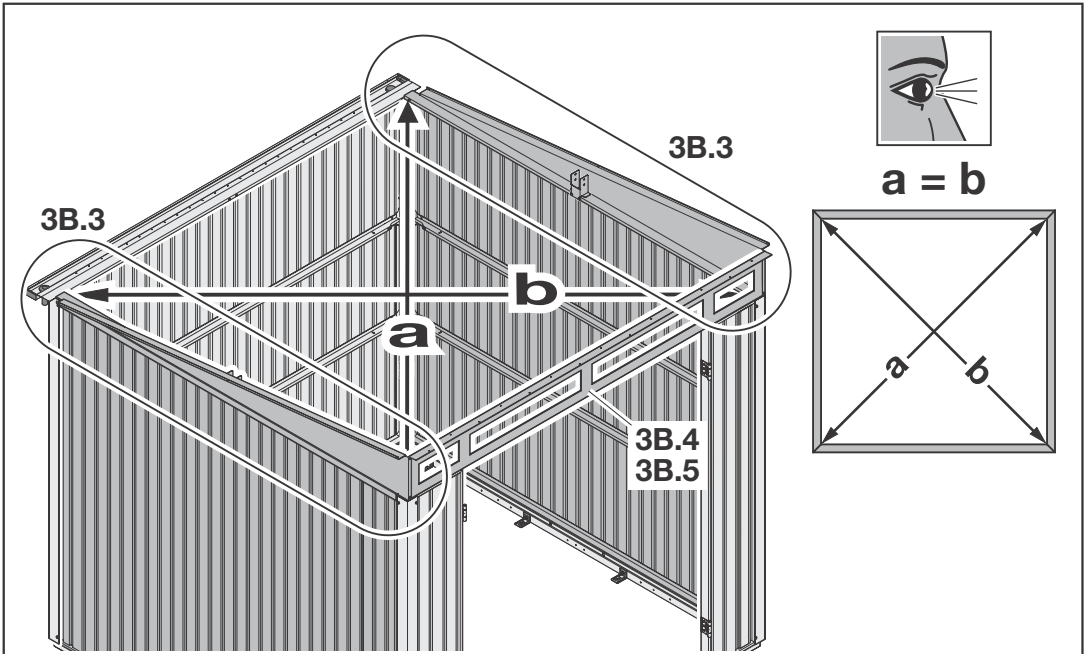


3B.1

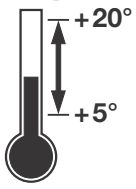


3B.2

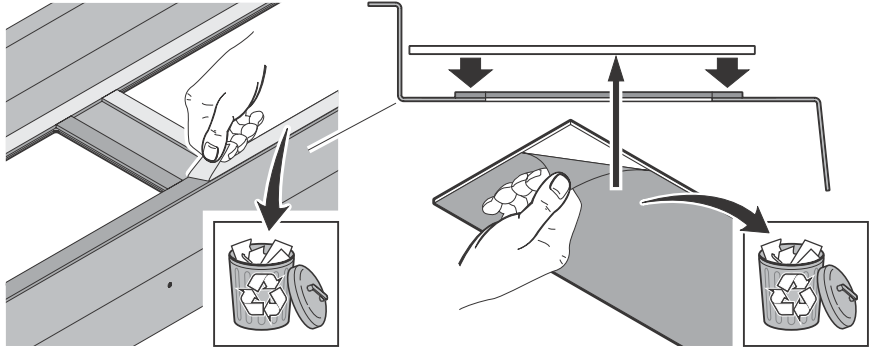




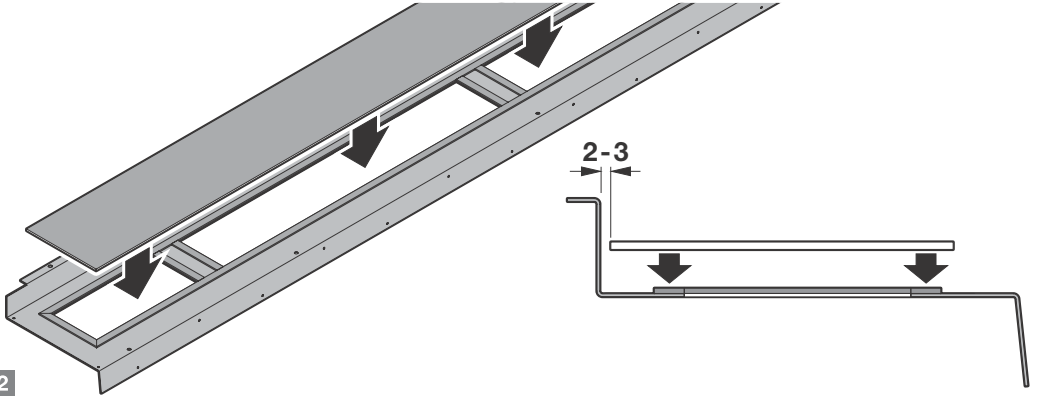
3B.4



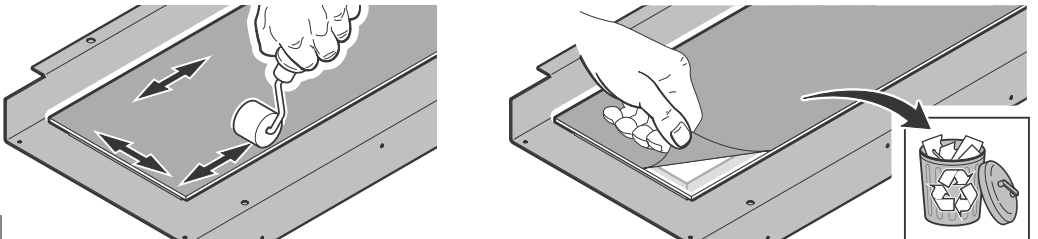
1



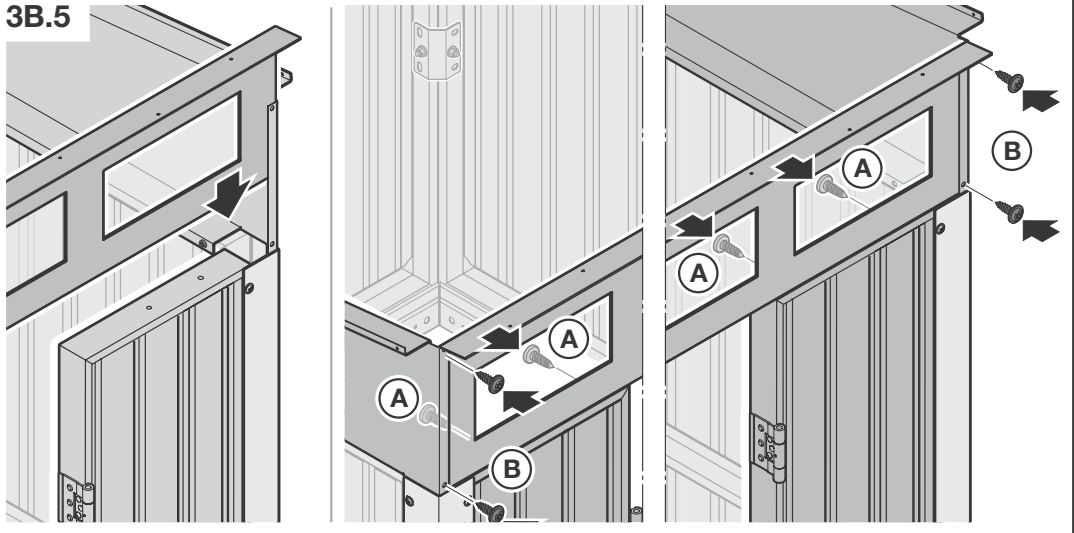
2



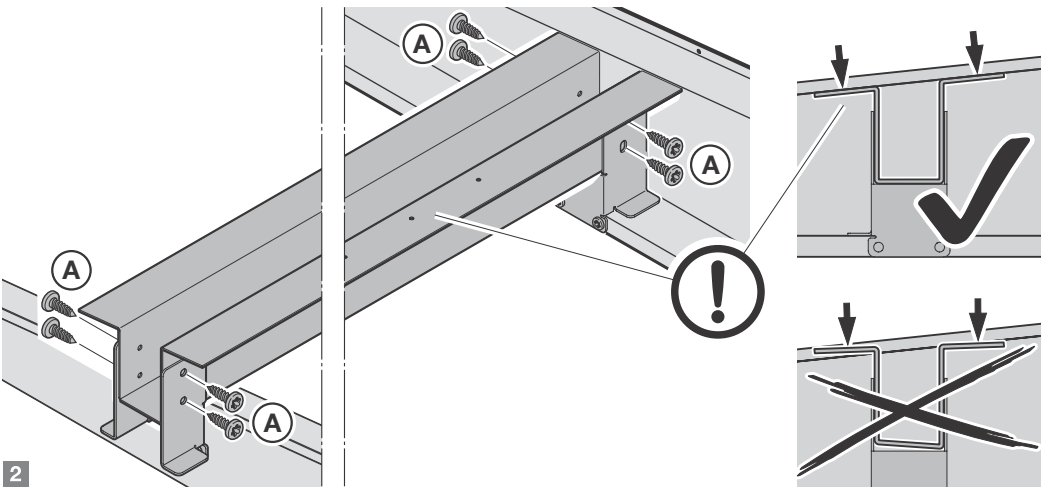
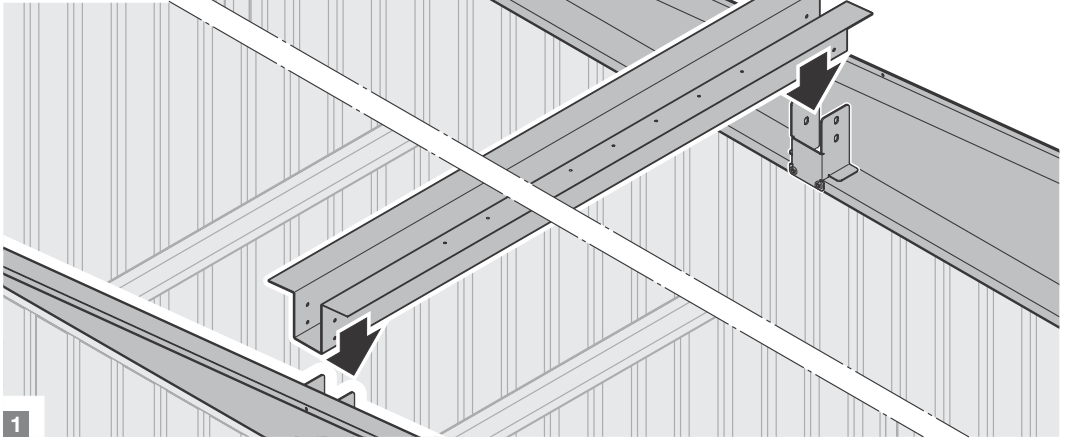
3



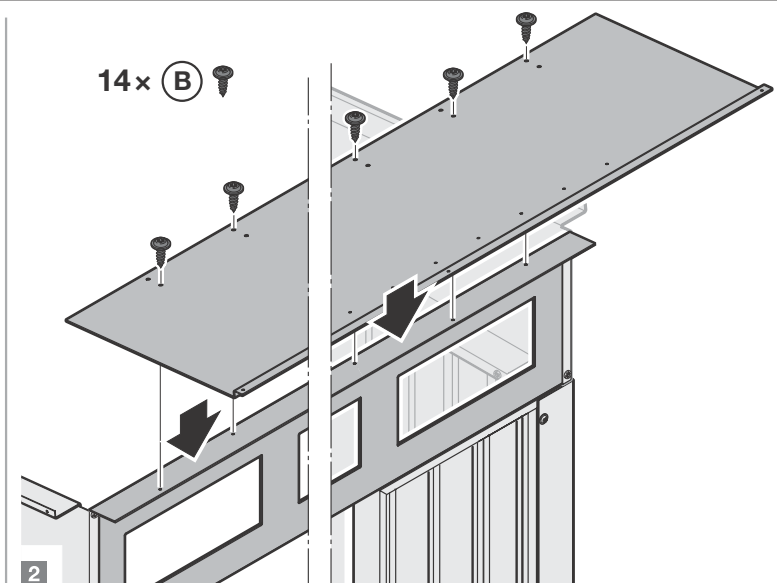
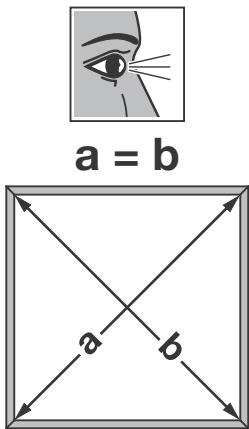
3B.5



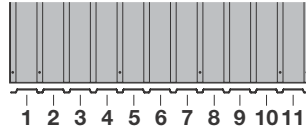
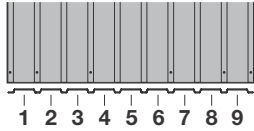
3B.6



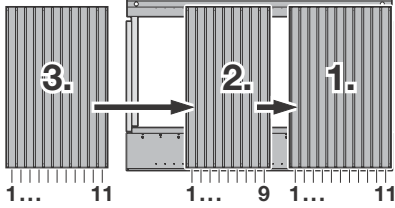
3B.7



3B.8

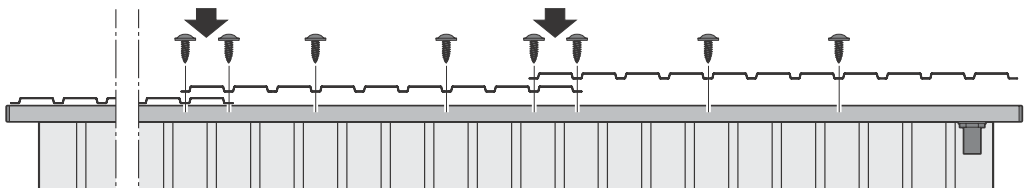
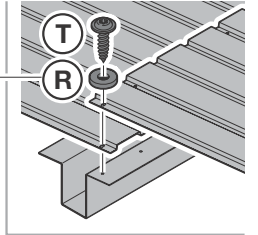
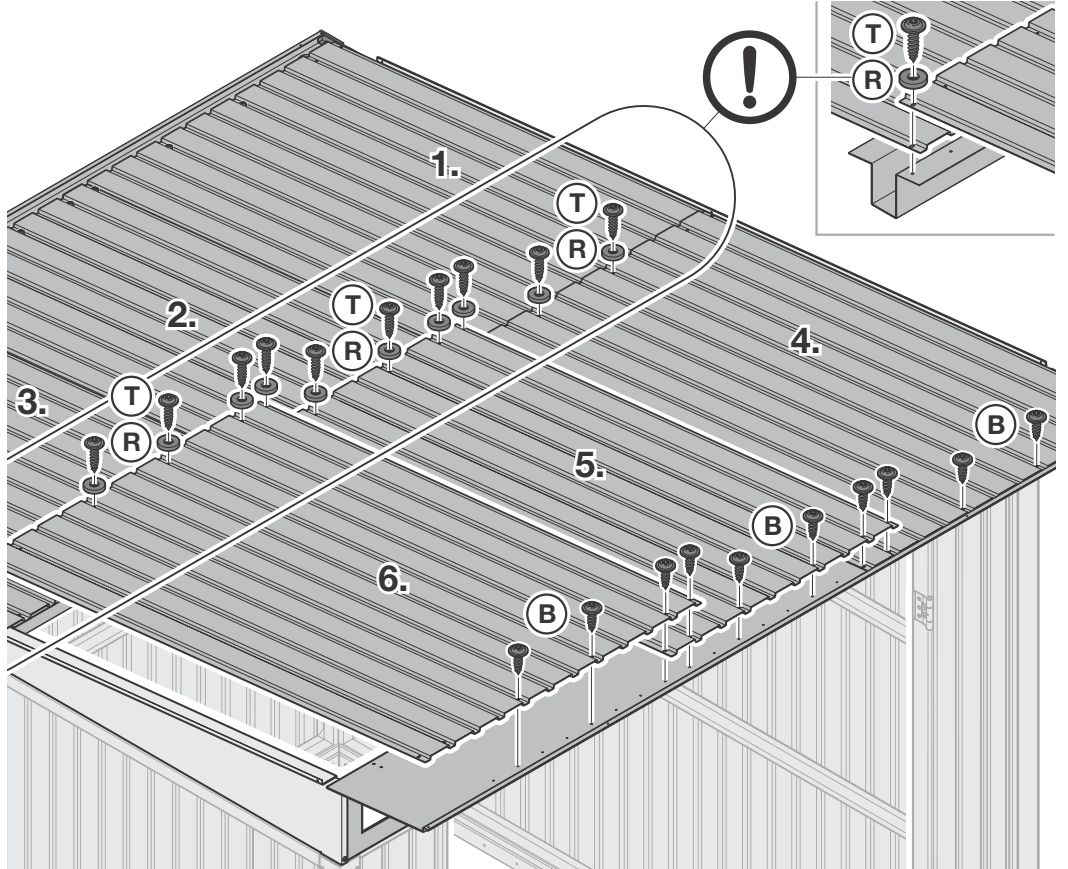
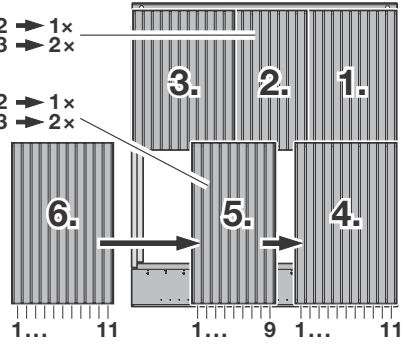


TYP 1

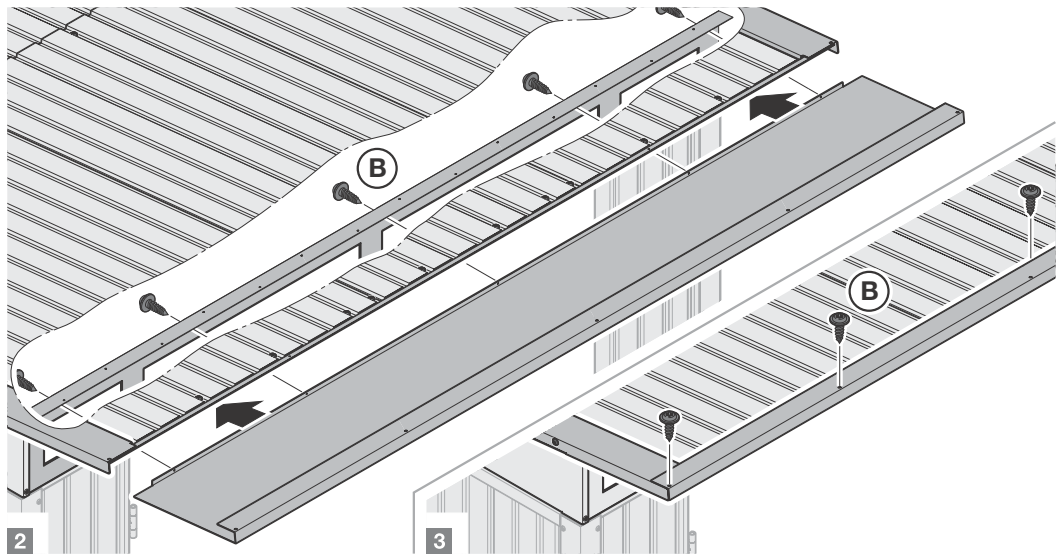
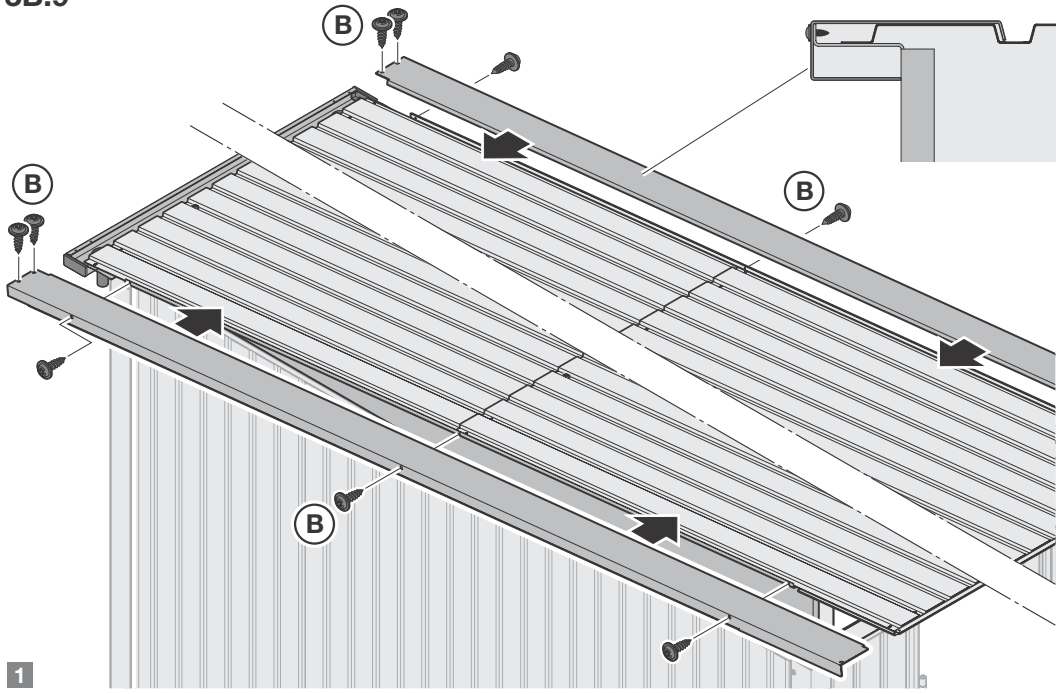


TYP 2 → 1x
TYP 3 → 2x

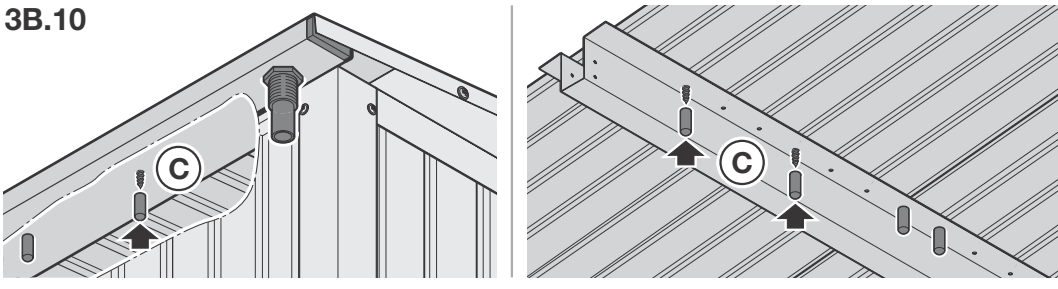
TYP 2 → 1x
TYP 3 → 2x

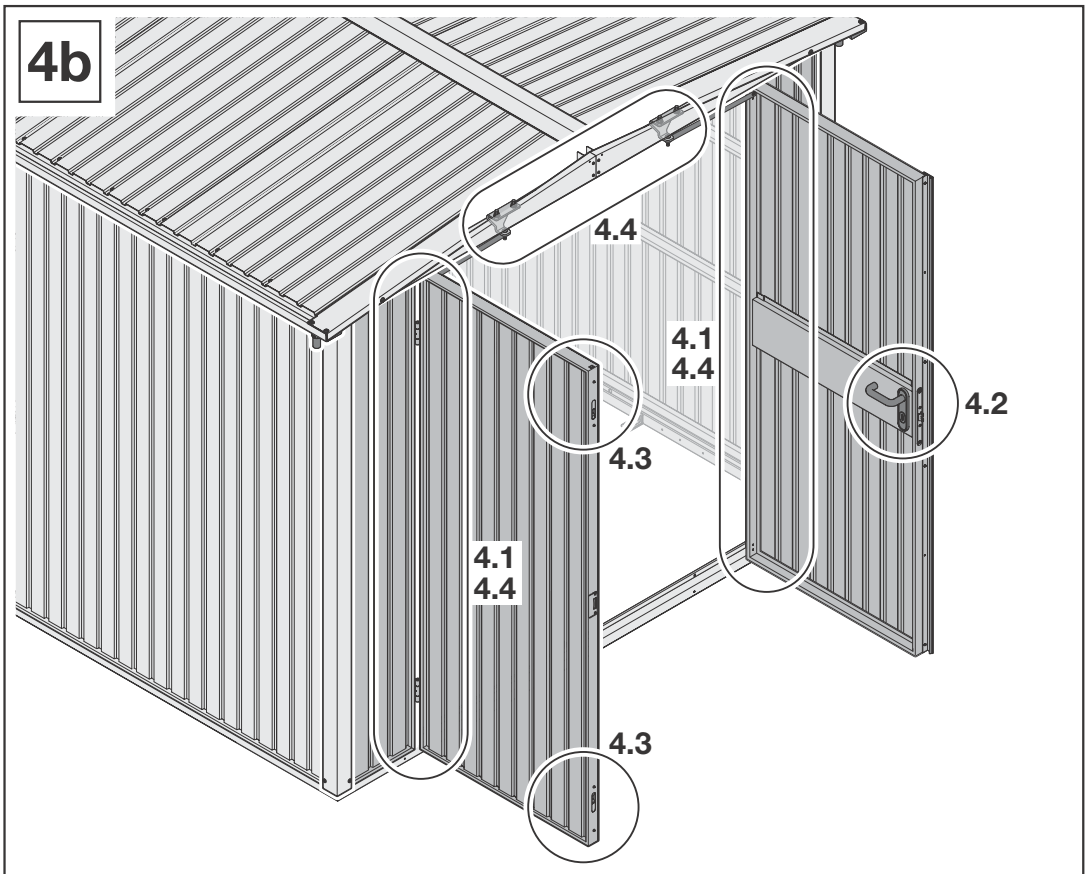
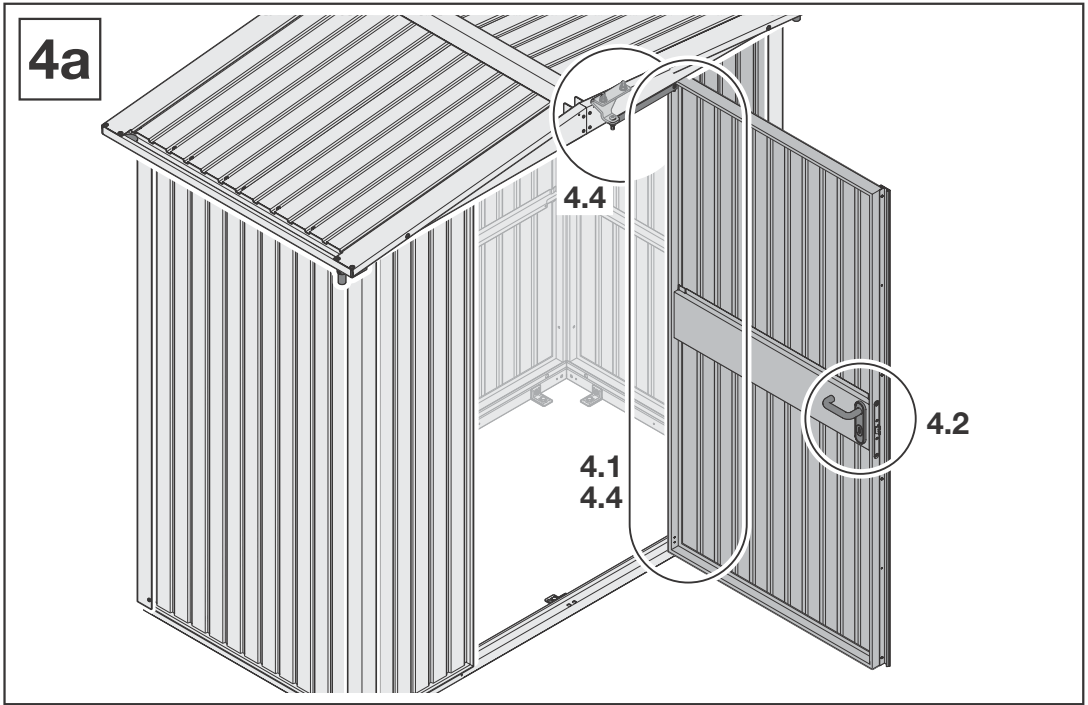


3B.9

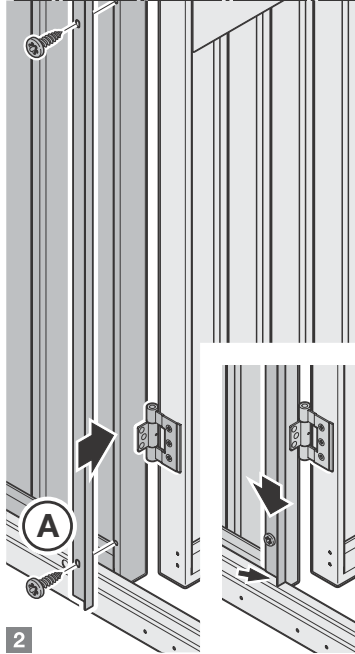
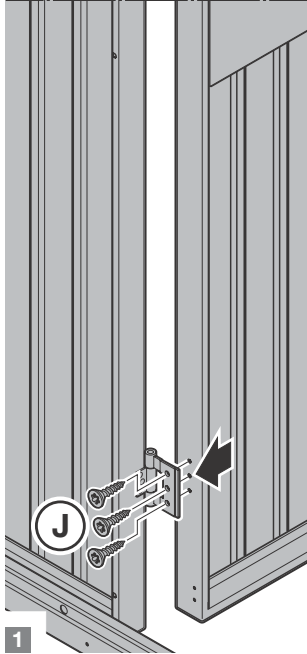
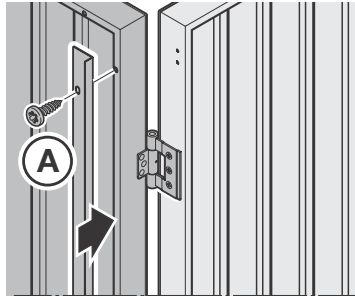
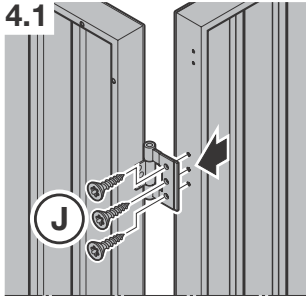


3B.10



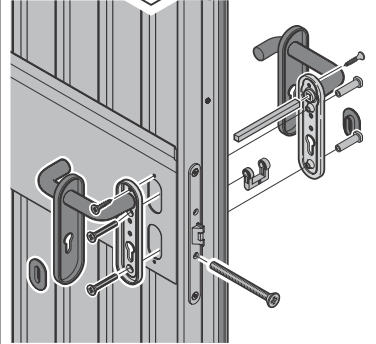


4.1

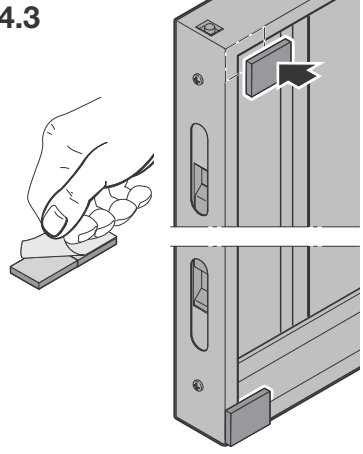


4.2

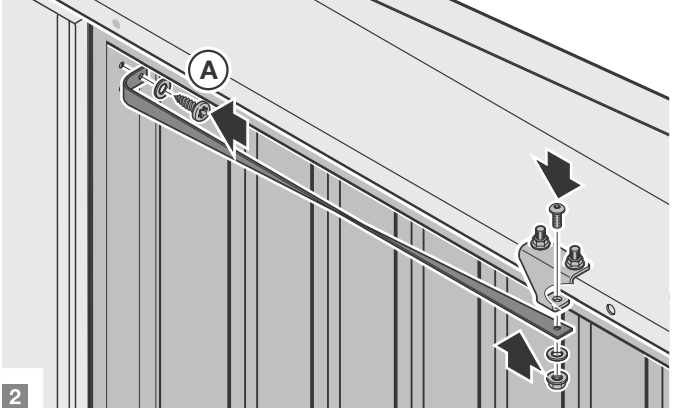
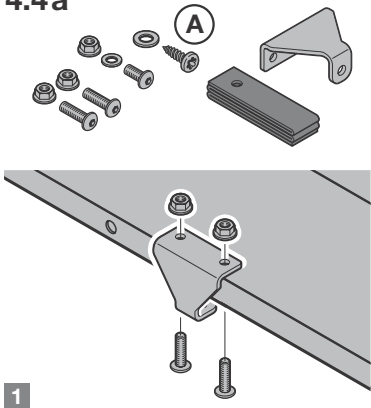
1327 100



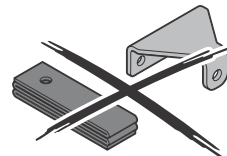
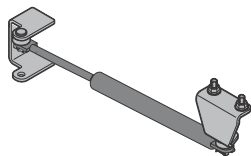
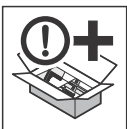
4.3



4.4a



4.4b



Contact information

Austria



Belgium



Croatia



Denmark



Estonia



Finland



France



Germany



Ireland



Italy



Latvia



Lithuania



Nederland



Norway



Poland



Portugal



Spain



Sweden



Switzerland



UK

