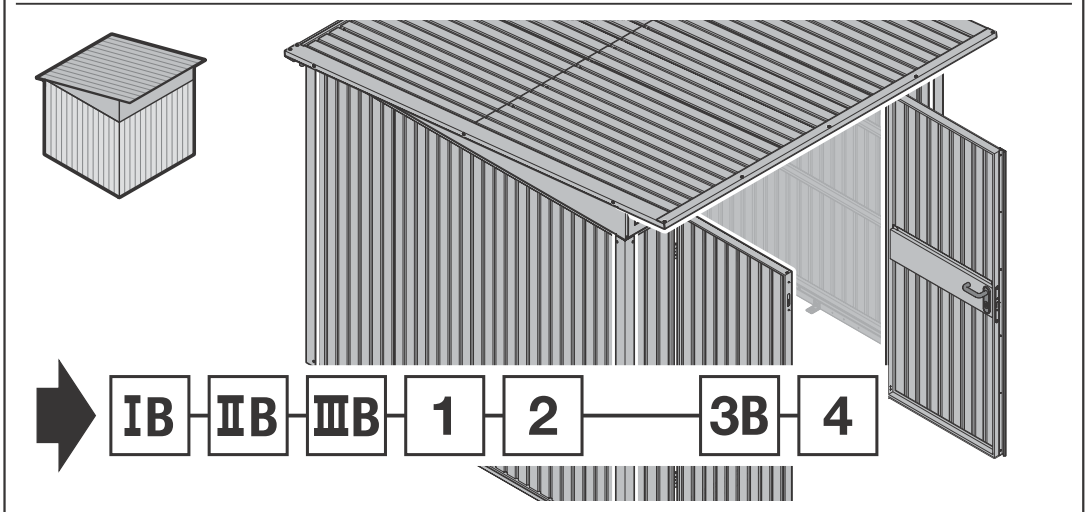
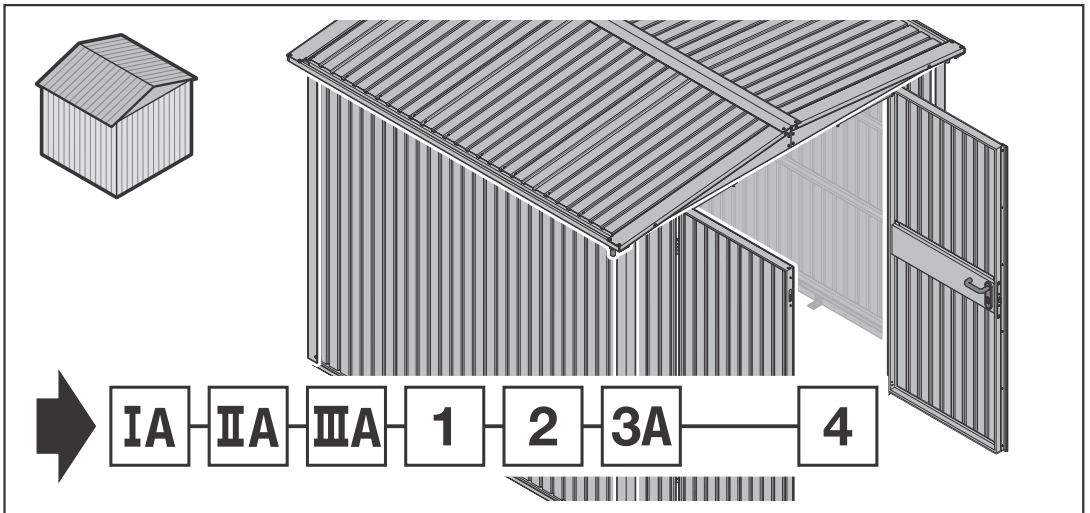
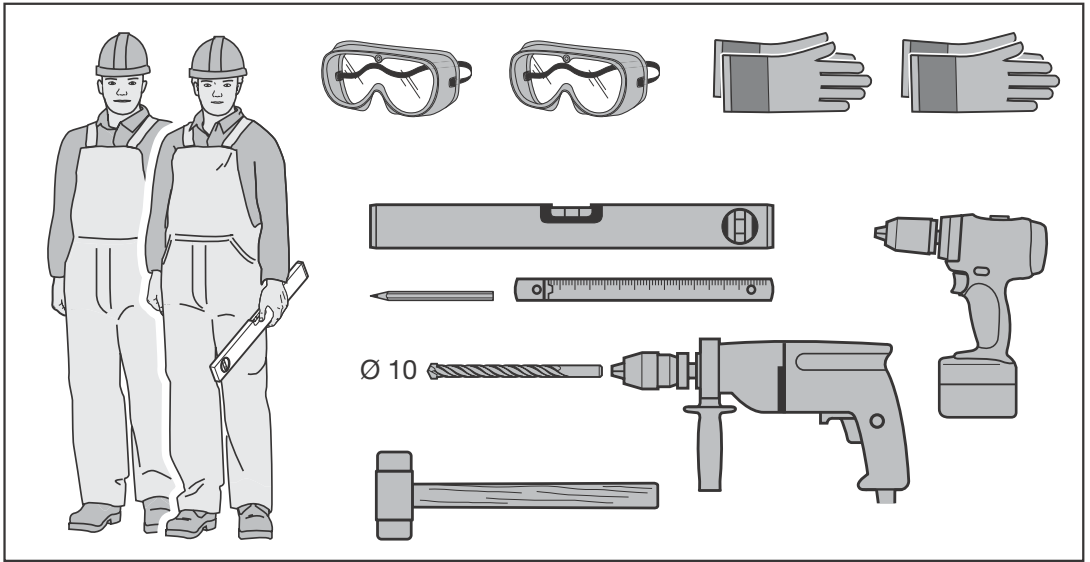


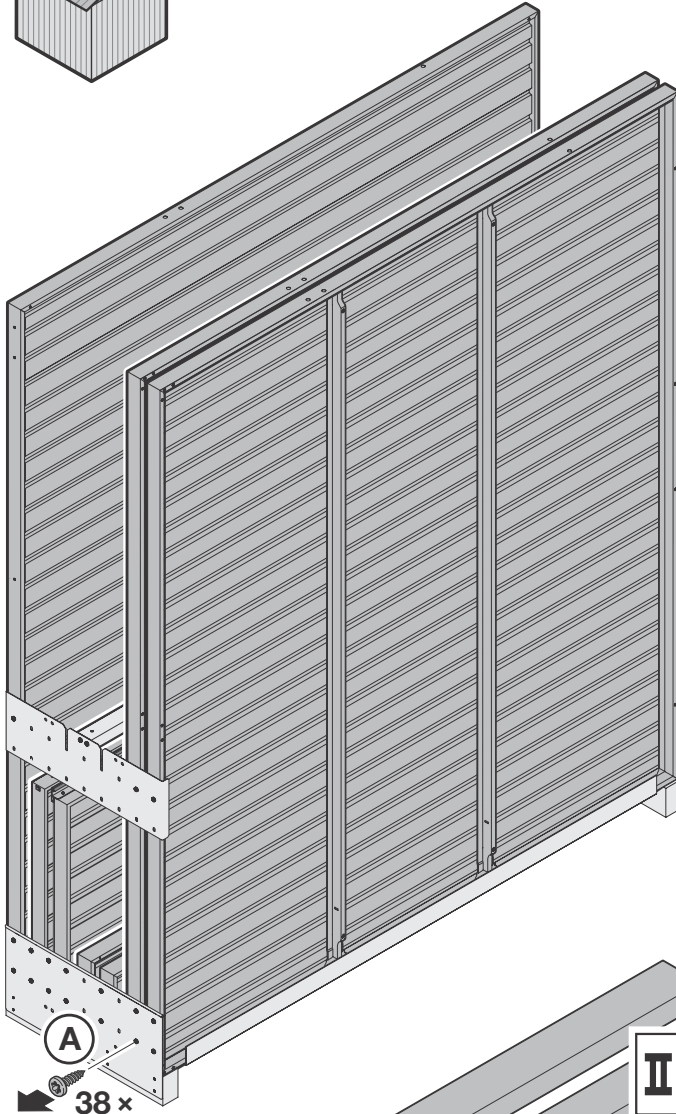
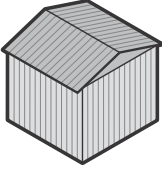
**DANCOVER<sup>®</sup>**

**.com**

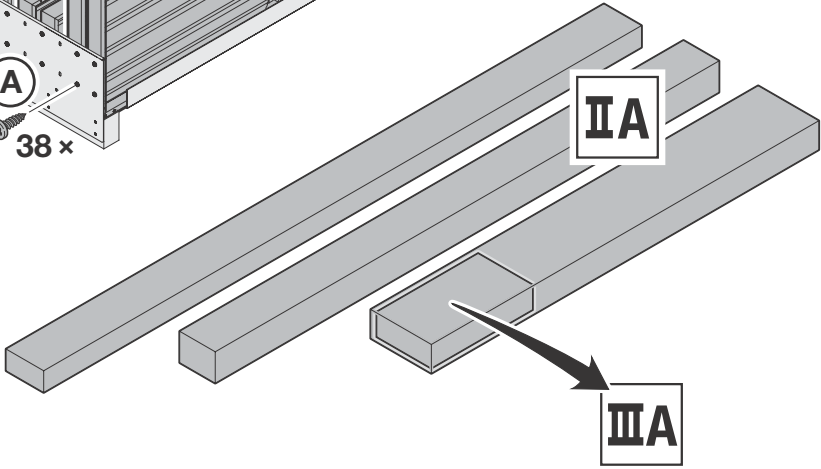
Manual  
for  
Metal Shed Elegant Typ2  
2,59x2,48x2,16m



**IA**



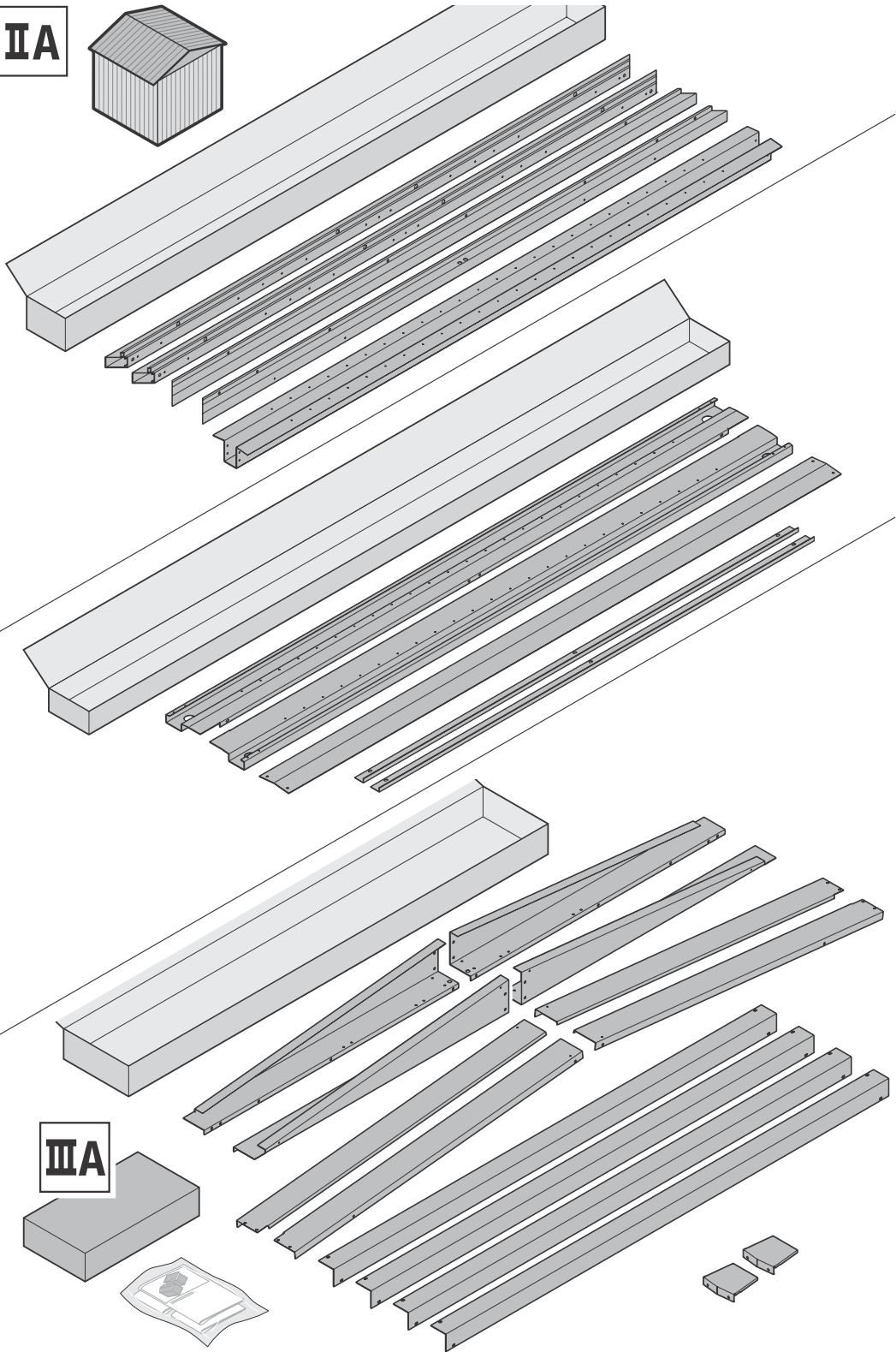
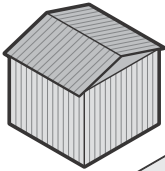
**A**  
38 x



**IA**

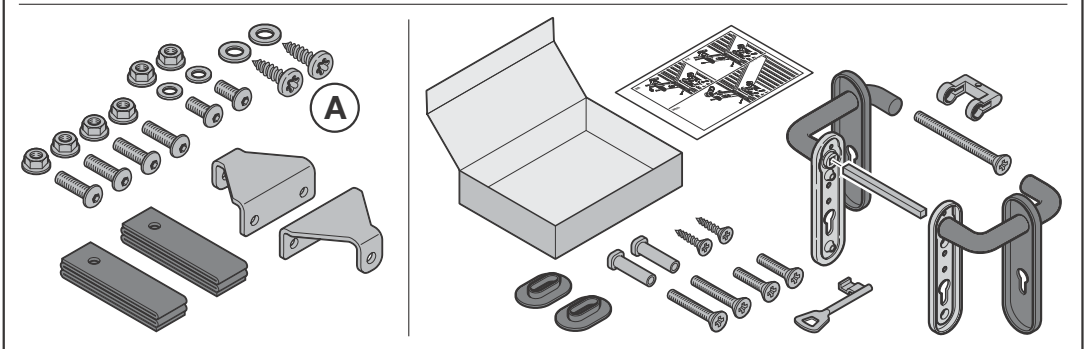
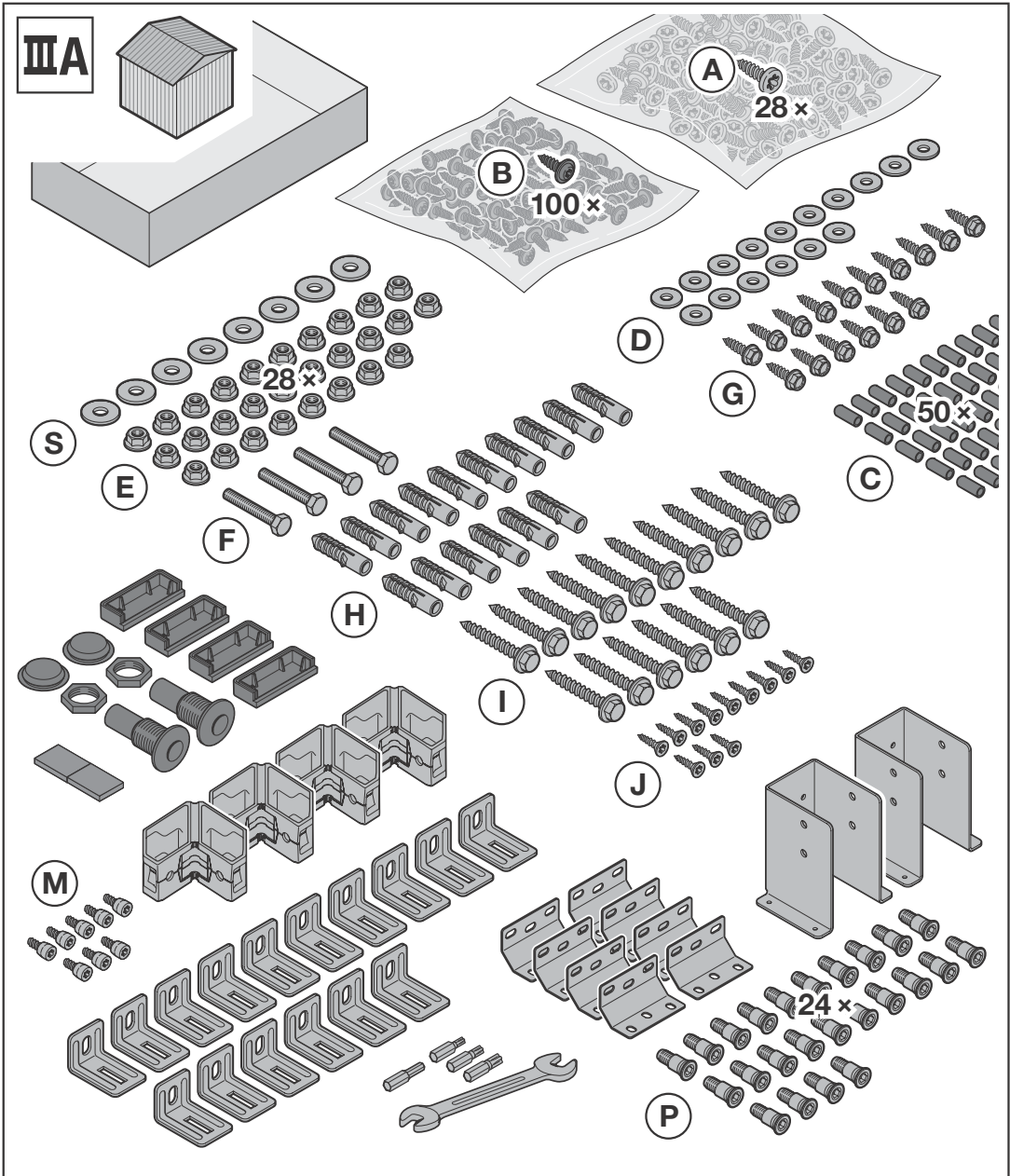
**IIA**

**IIA**

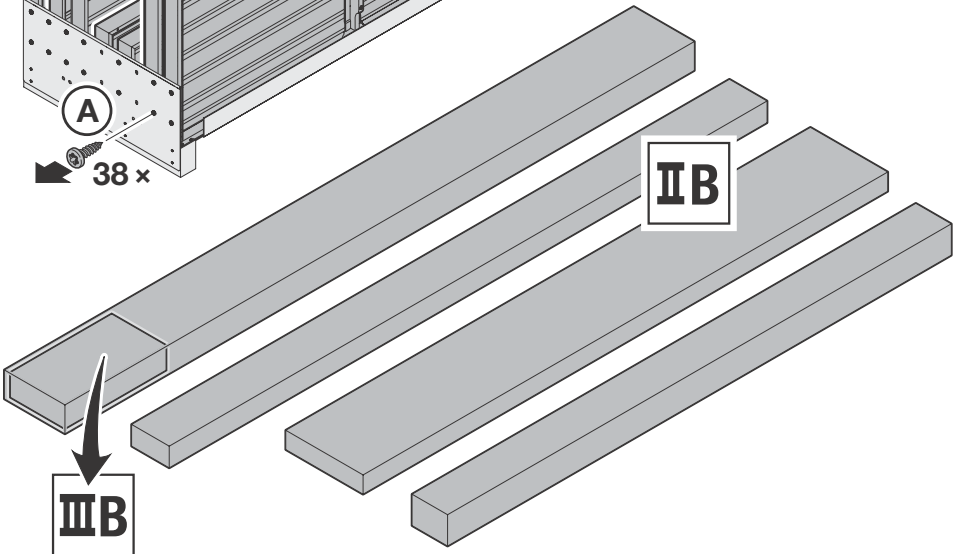
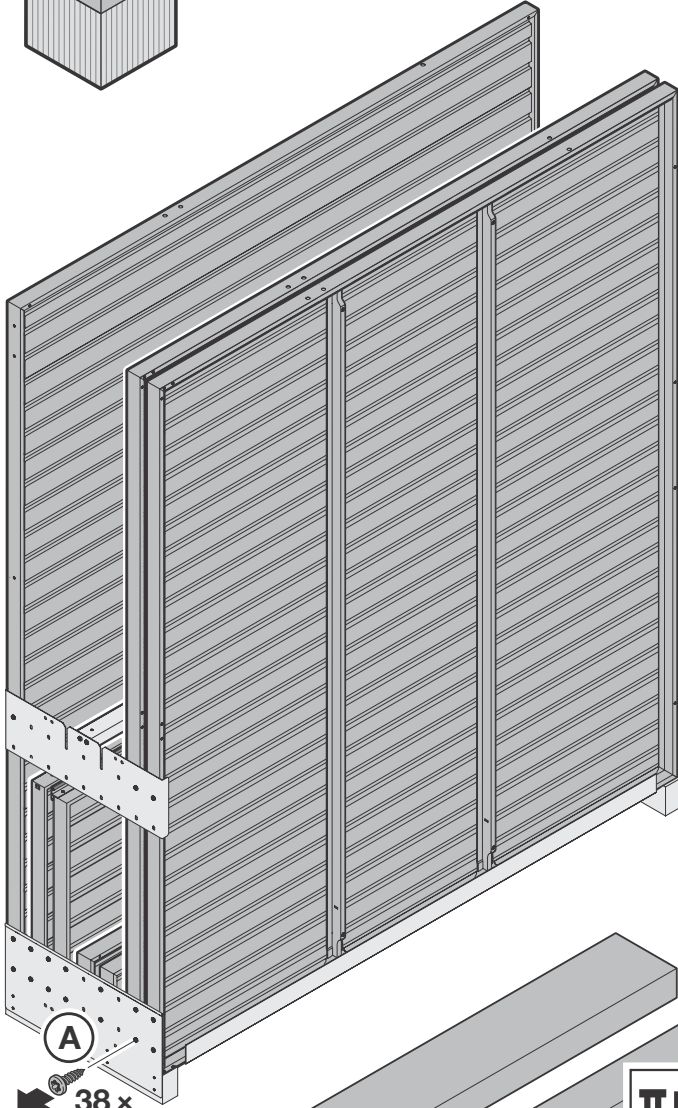
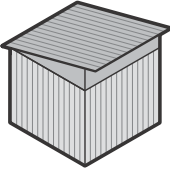


**IIIA**

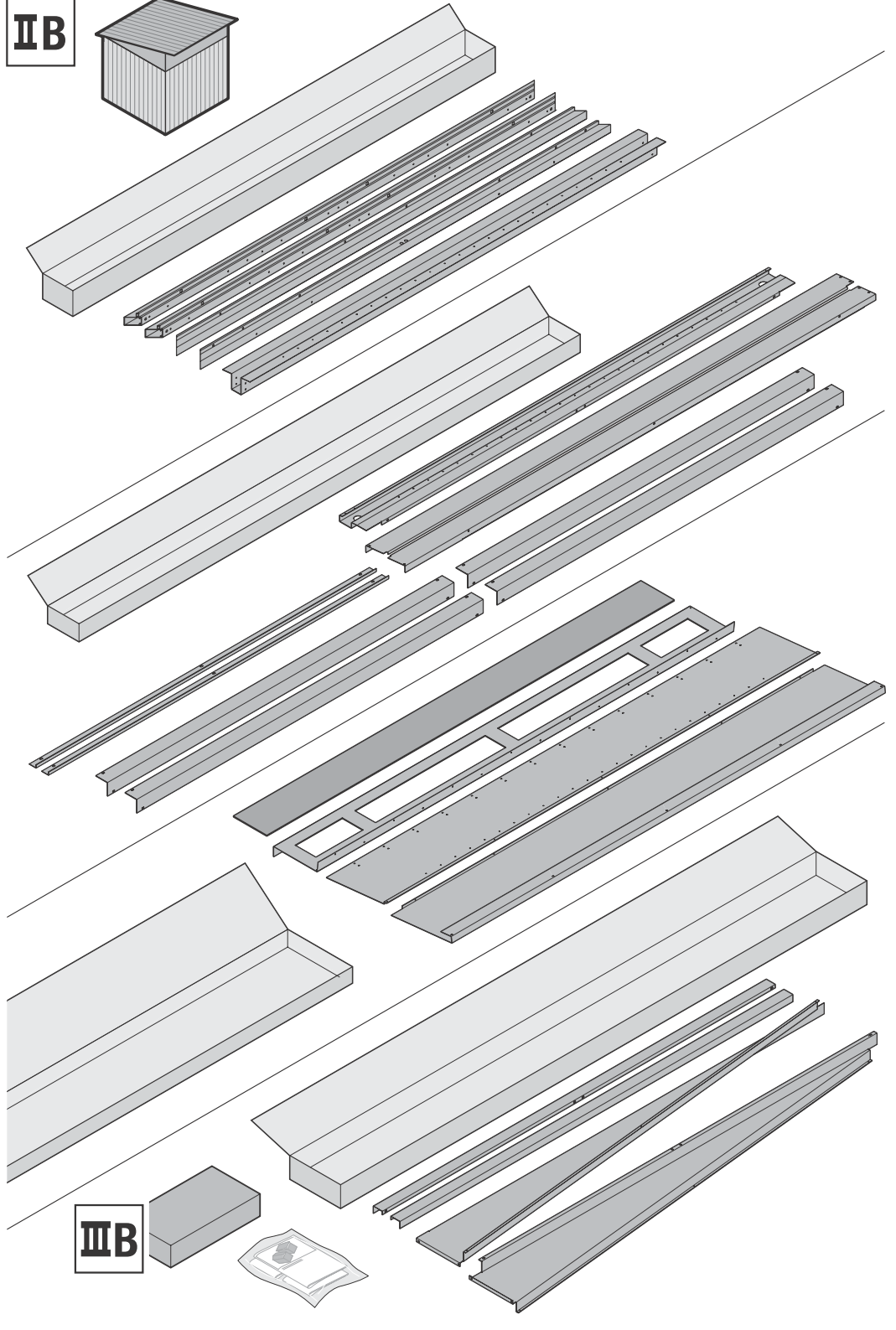
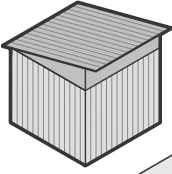




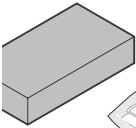
**IB**



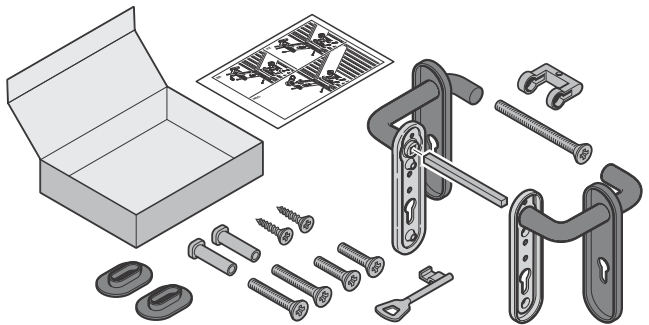
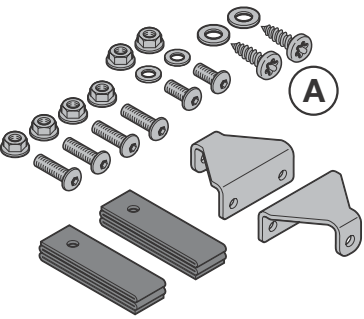
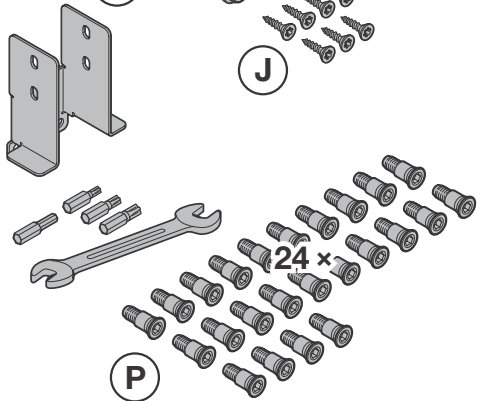
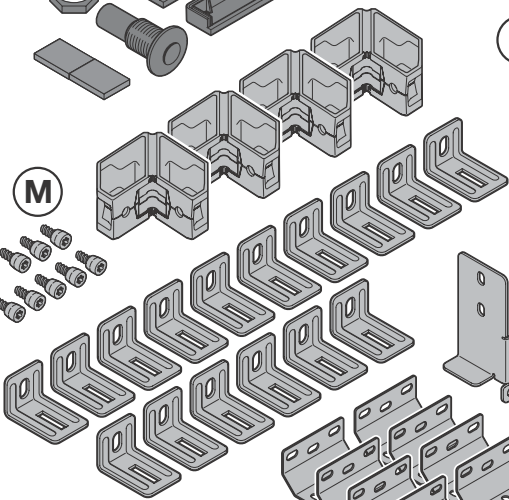
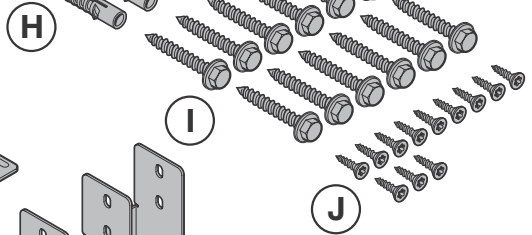
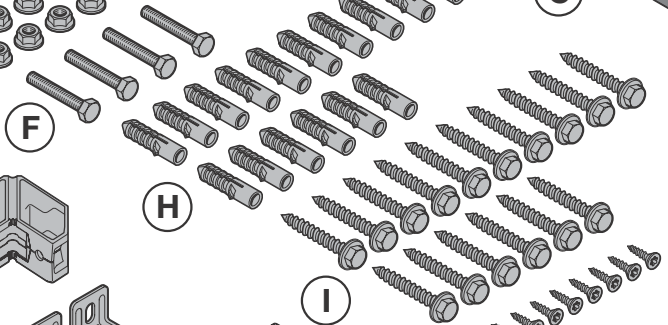
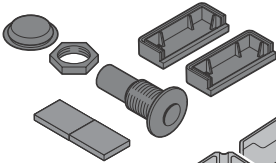
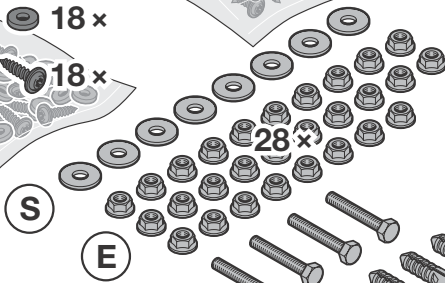
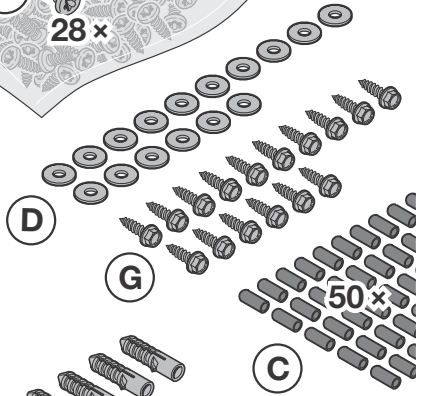
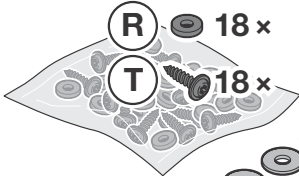
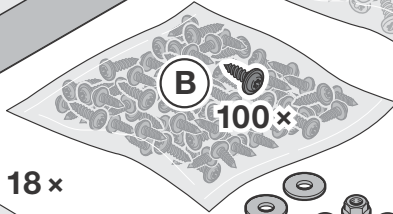
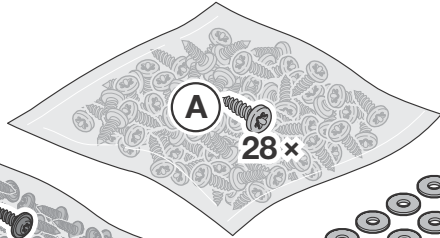
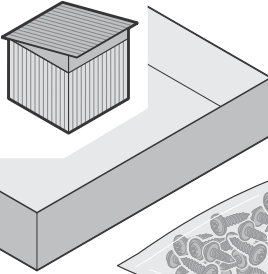
**IB**



**III B**



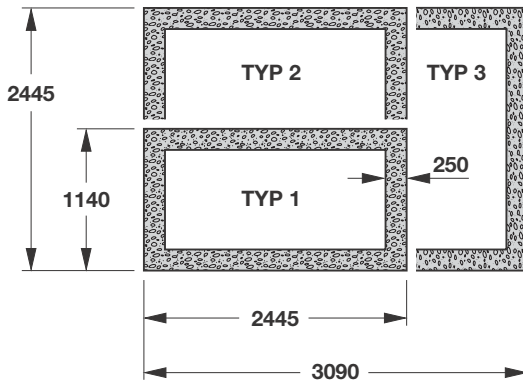
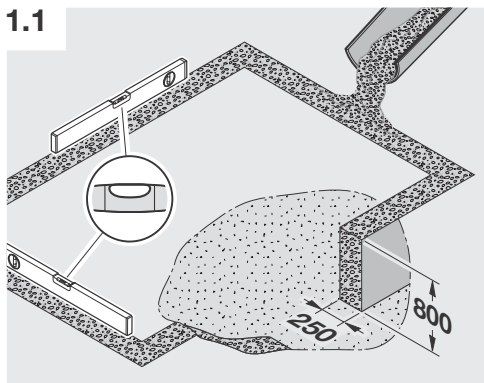
III B



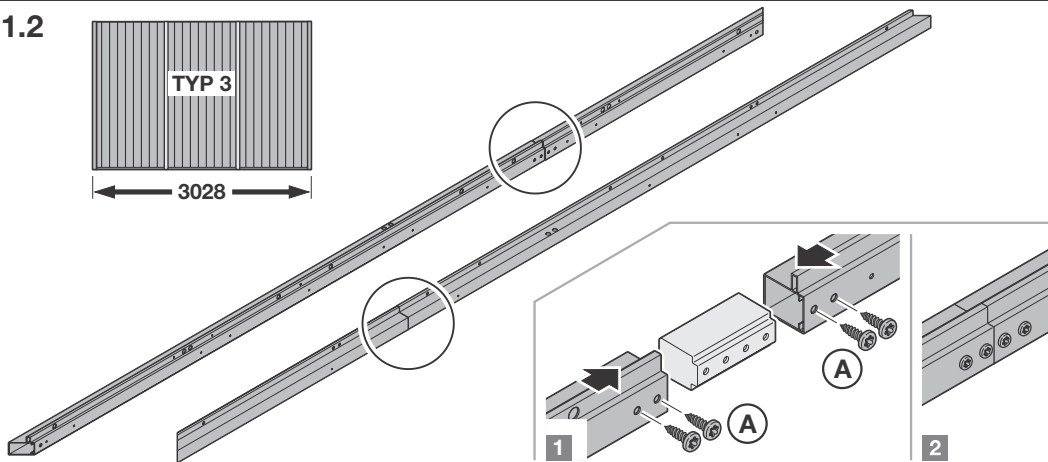
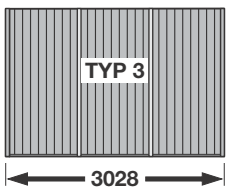
1



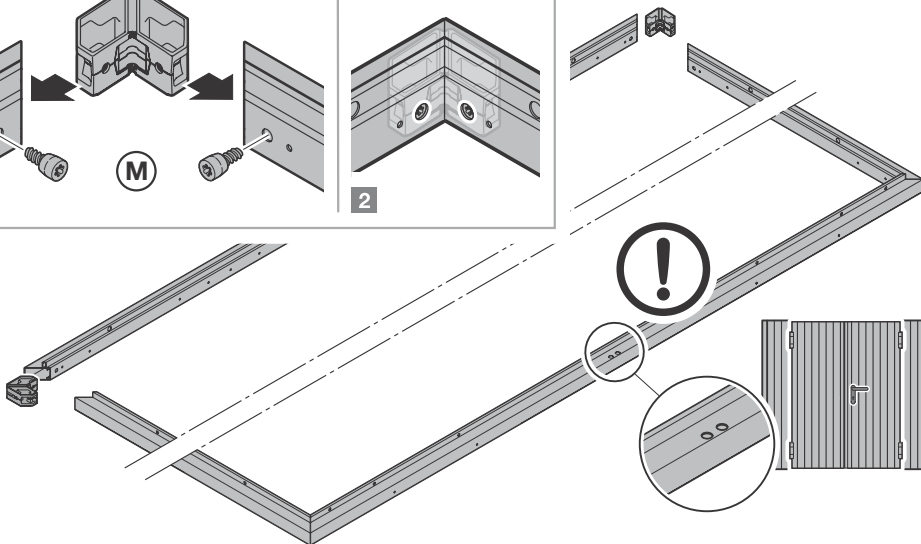
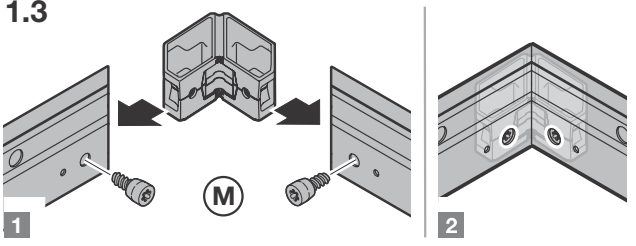
1.1



1.2



1.3

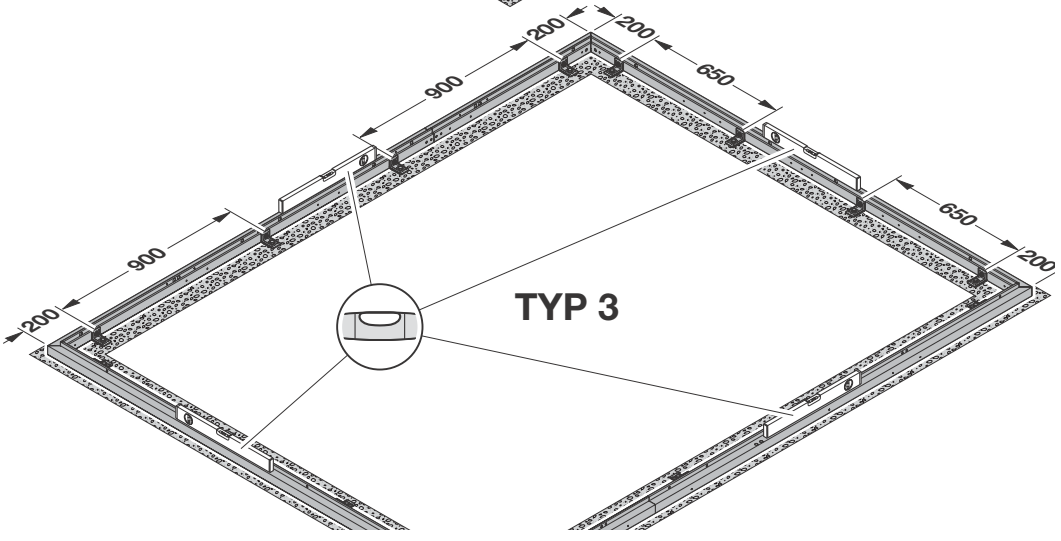
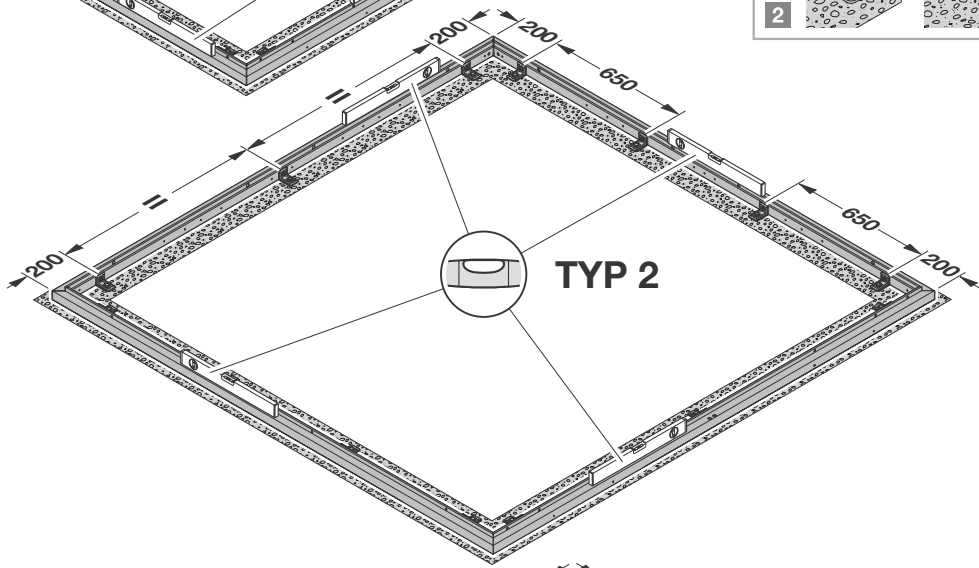
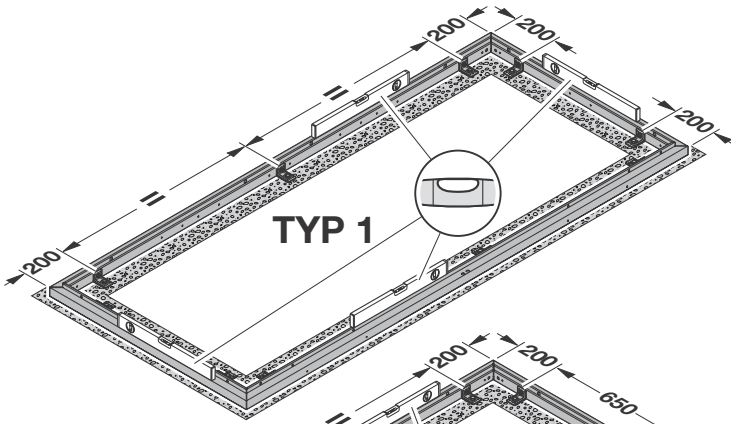
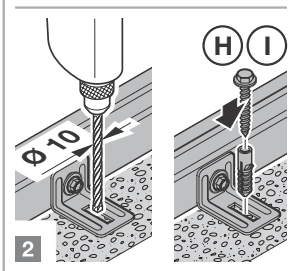
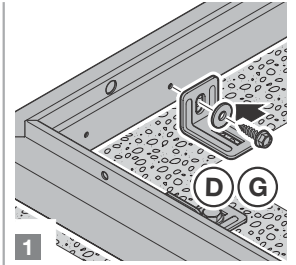
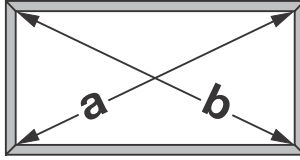




1.4

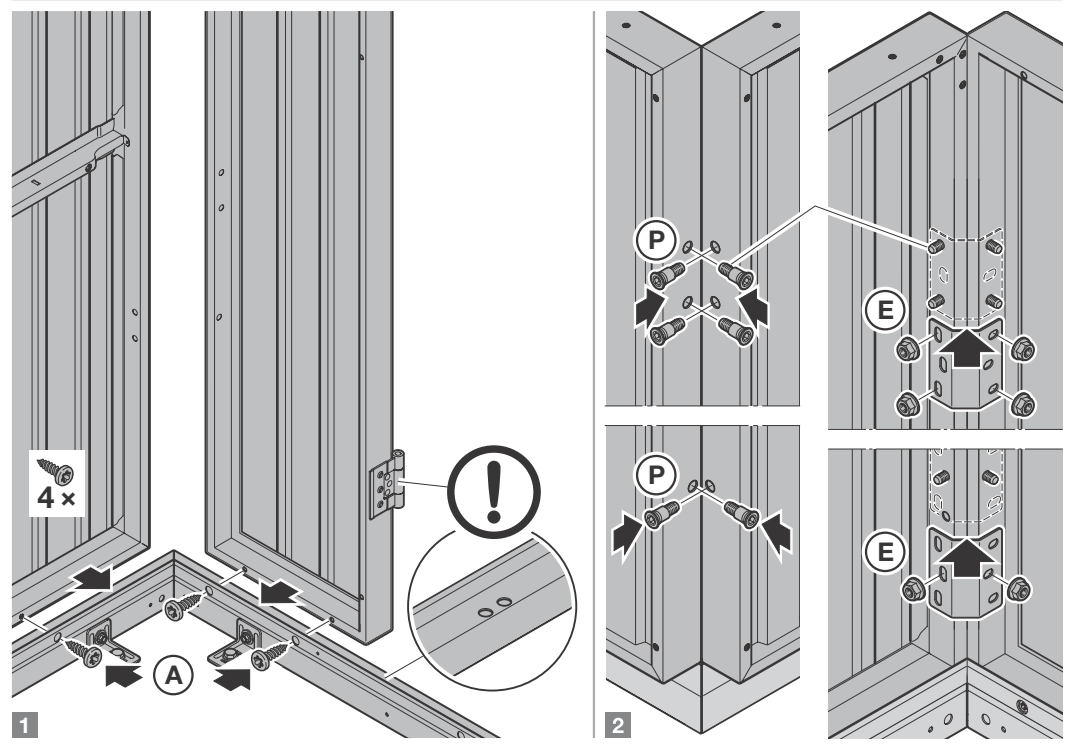
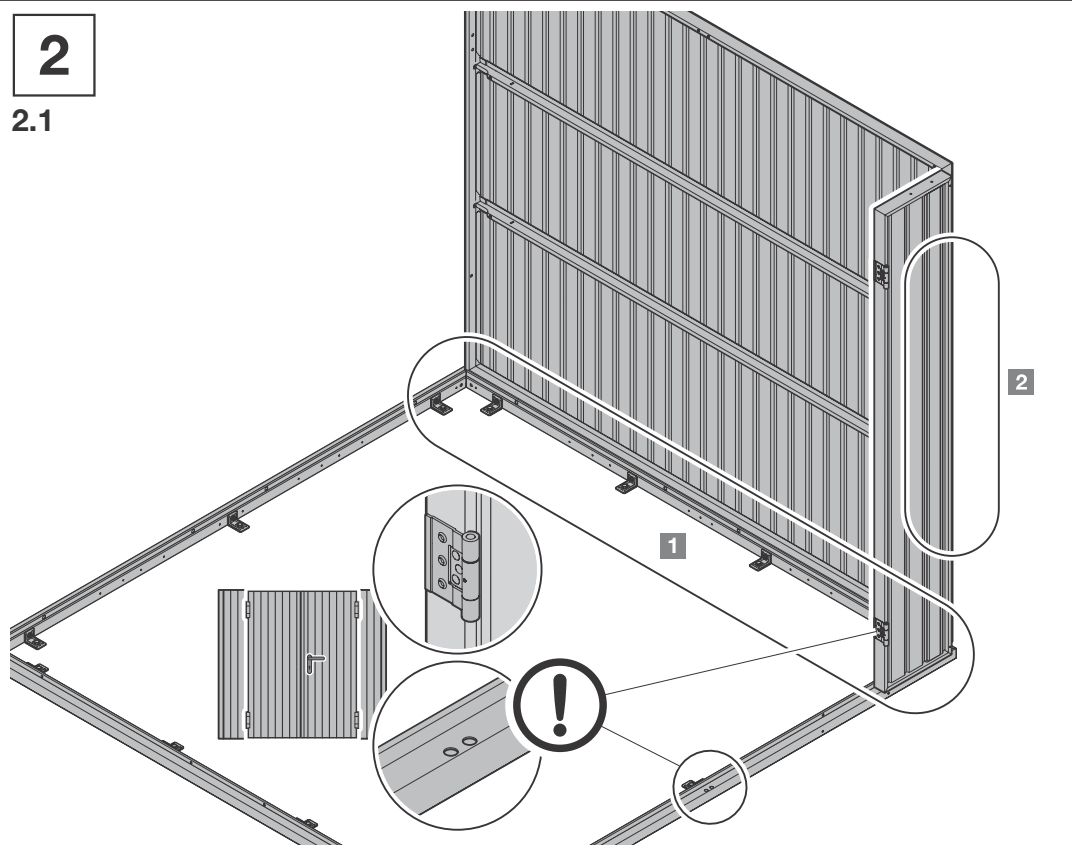


$a = b$

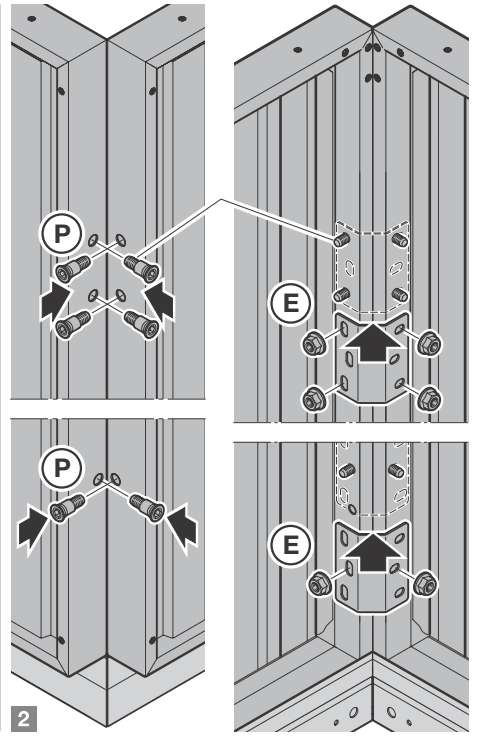
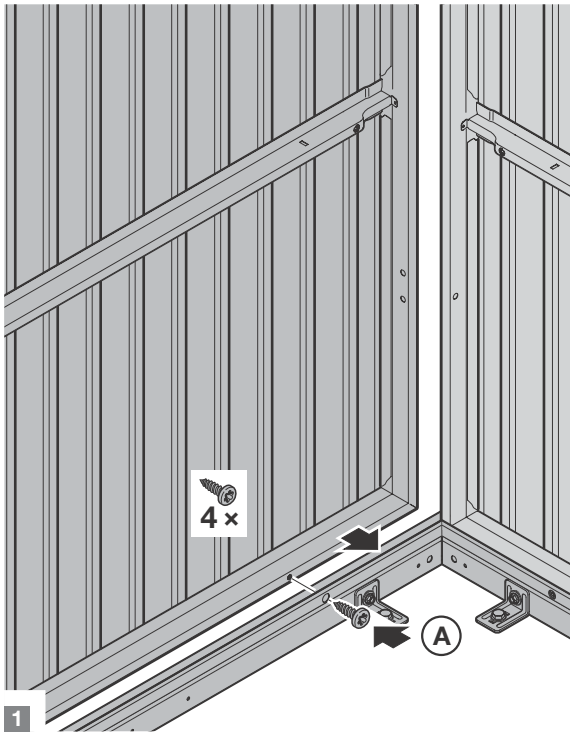
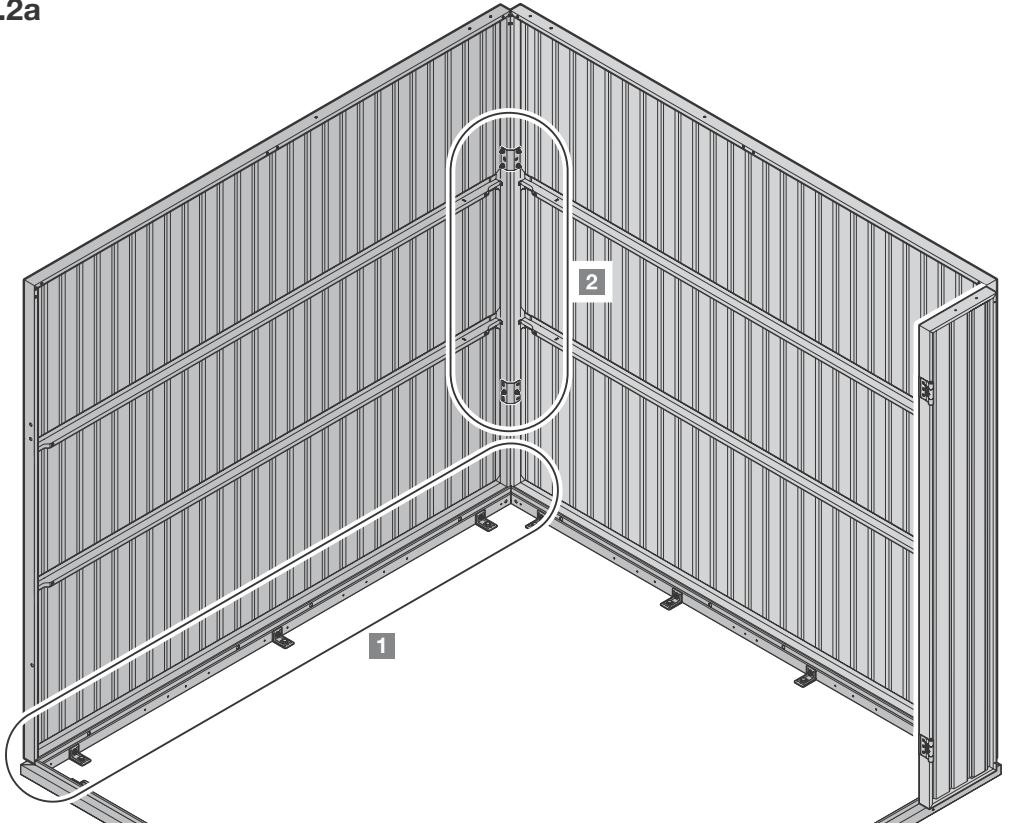


2

2.1

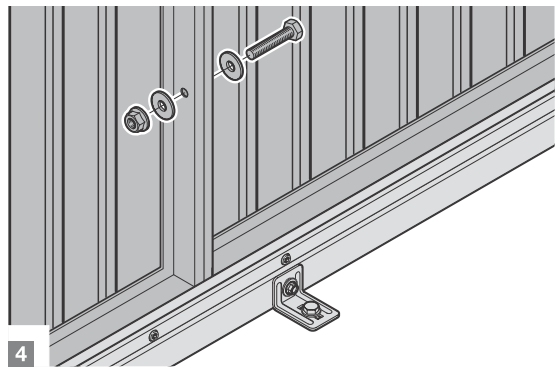
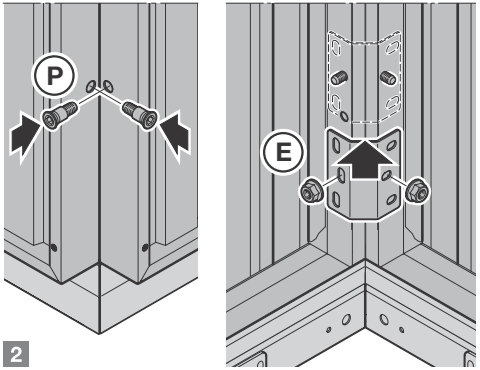
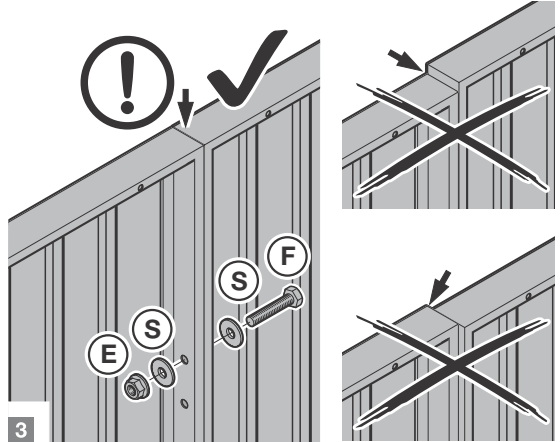
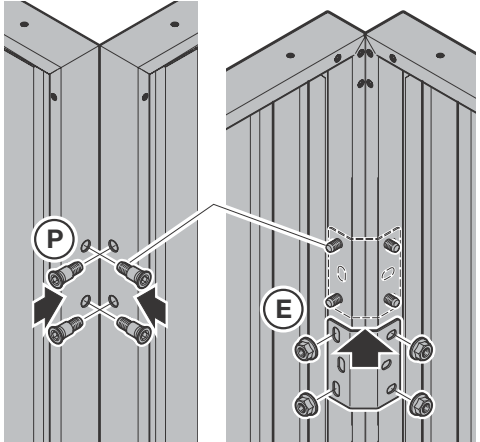
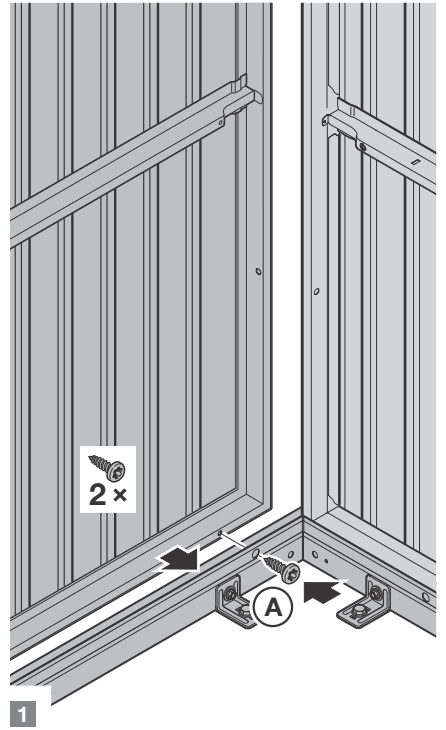
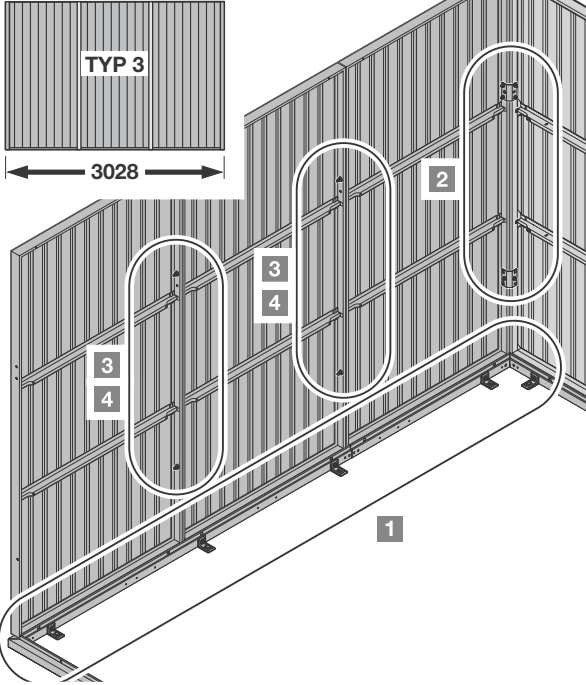


2.2a

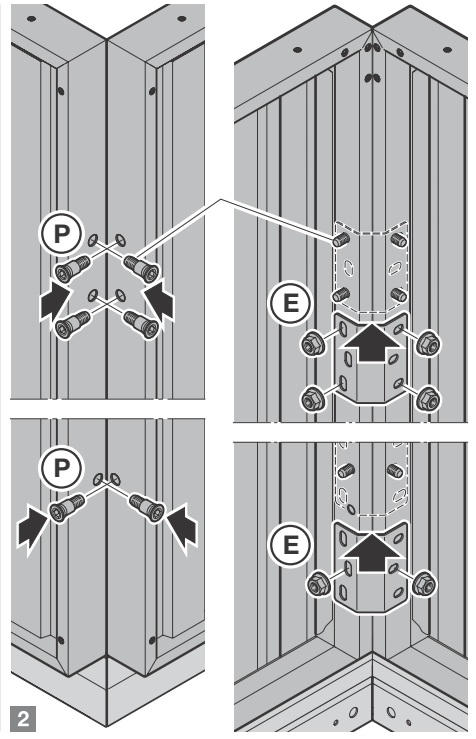
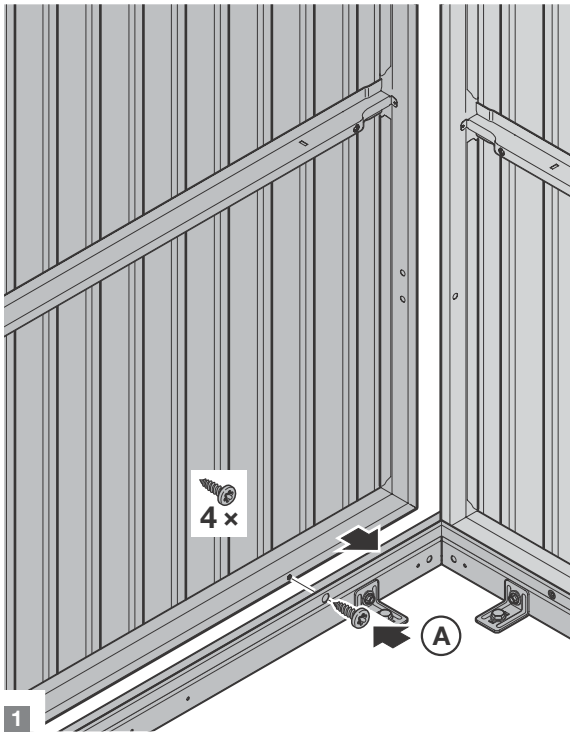
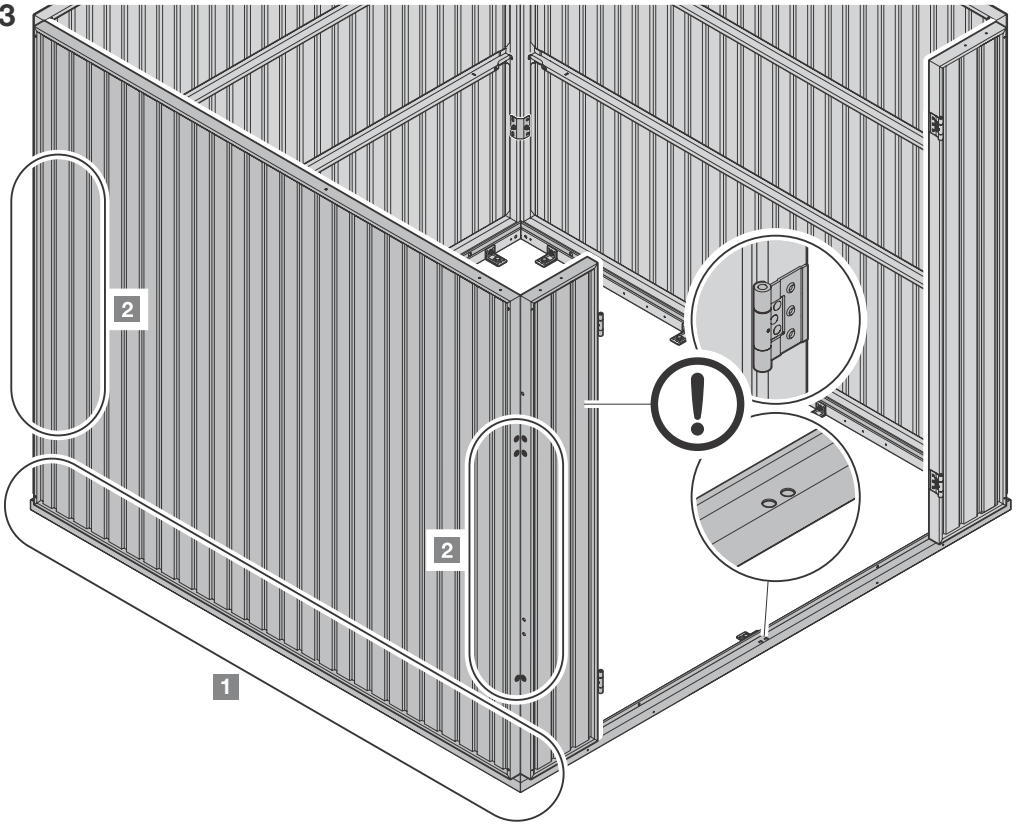




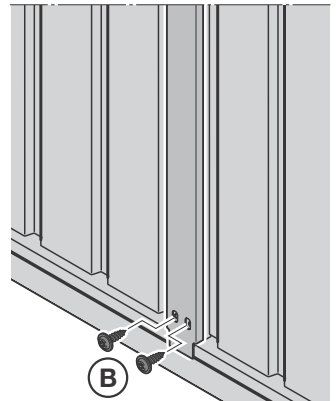
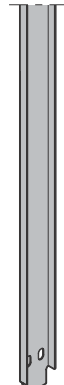
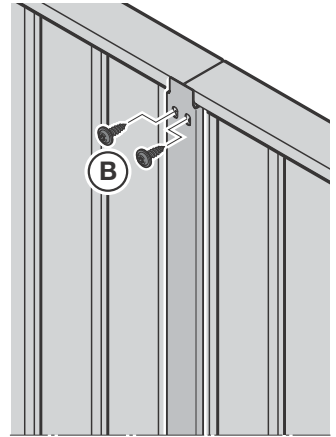
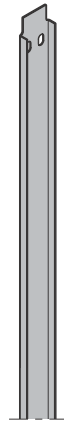
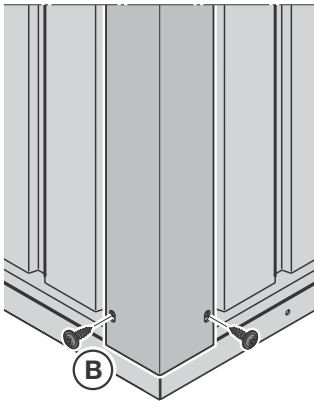
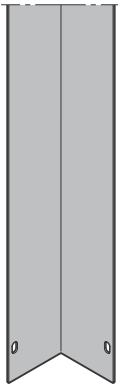
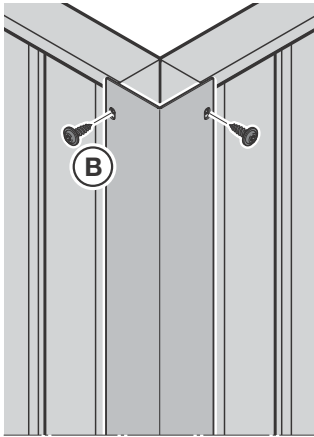
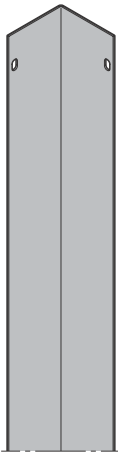
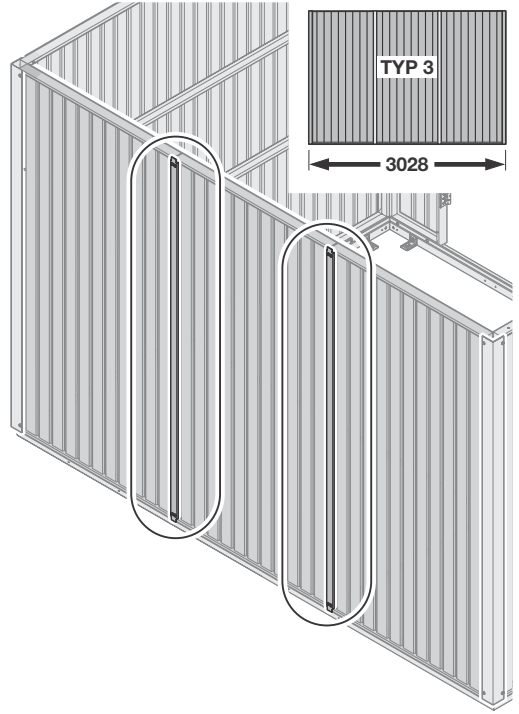
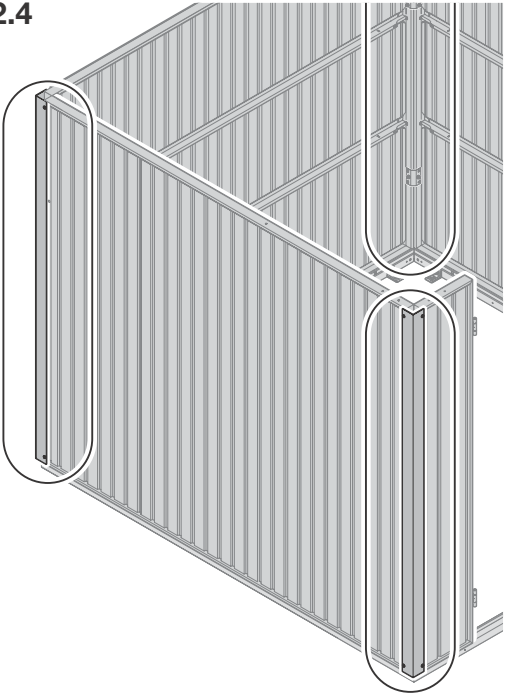
2.2b

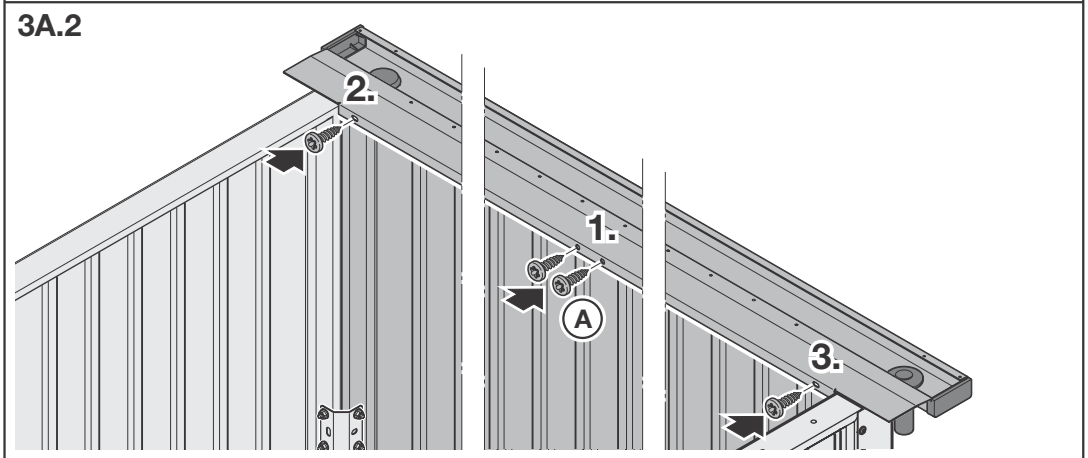
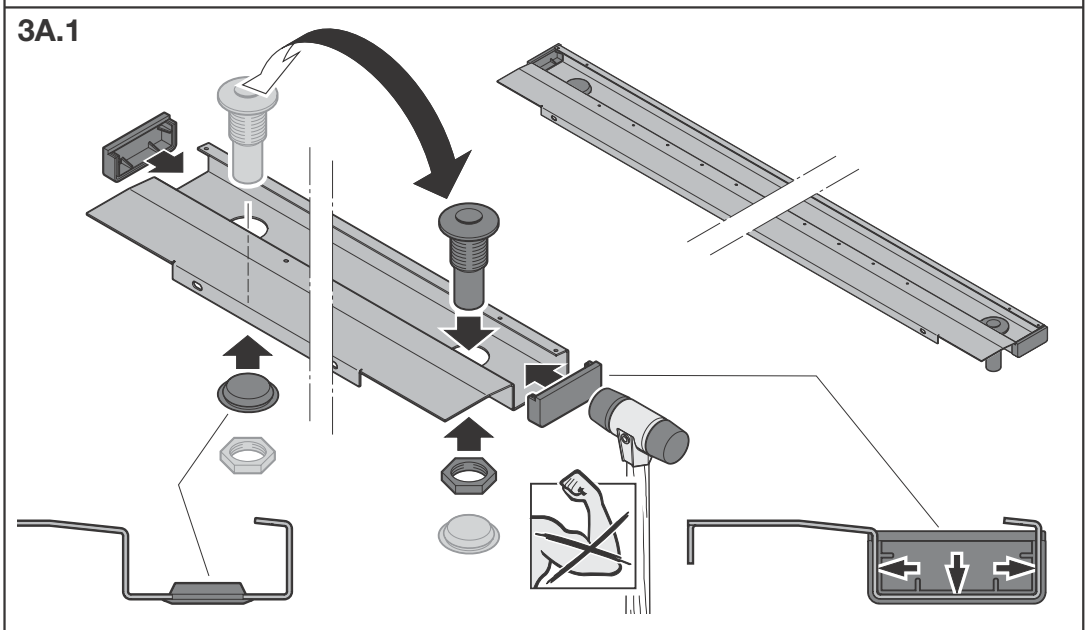
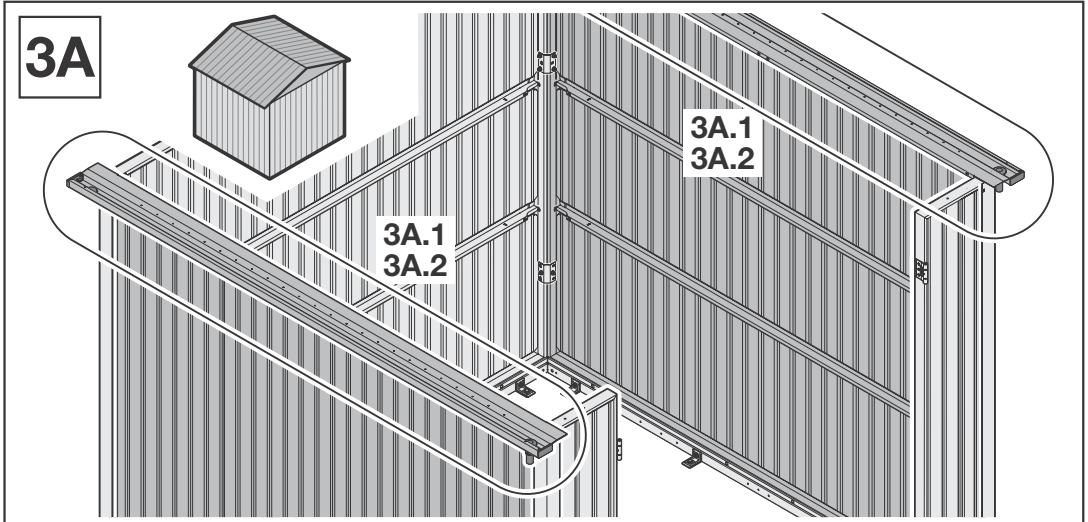


2.3

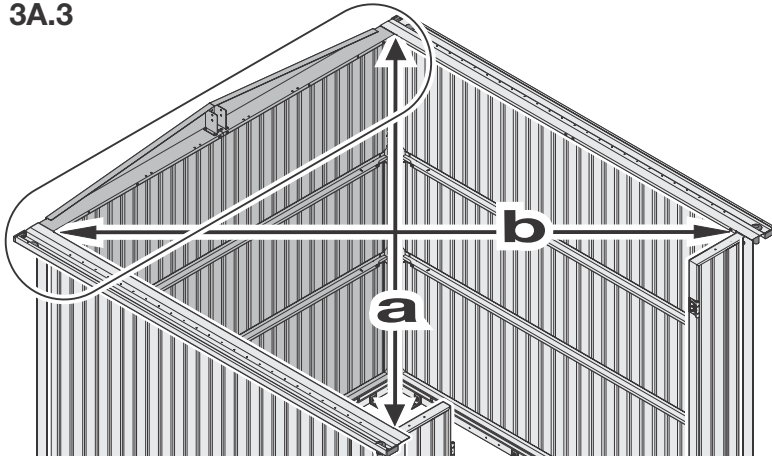


2.4

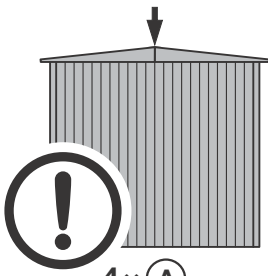
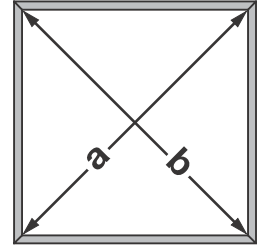




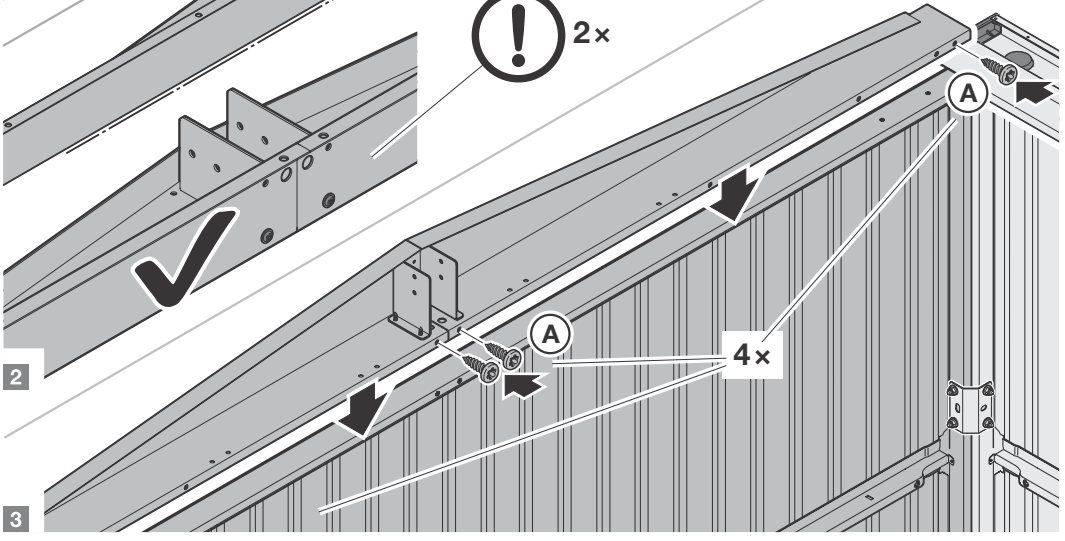
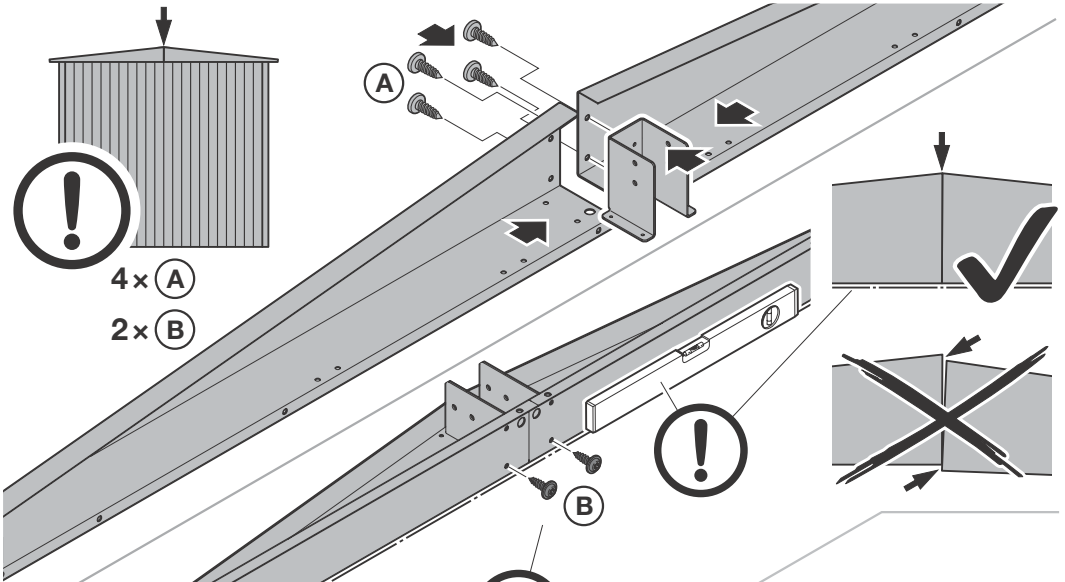
3A.3



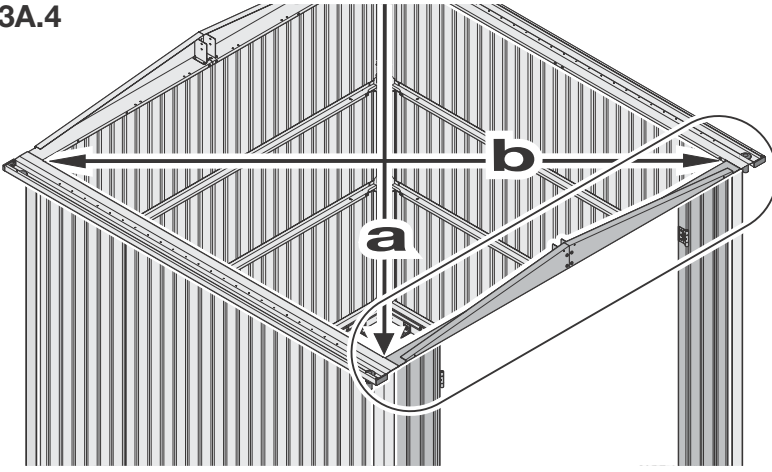
$a = b$



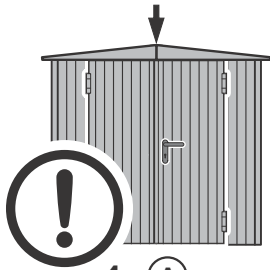
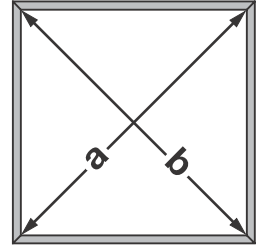
4 x (A)  
2 x (B)



3A.4

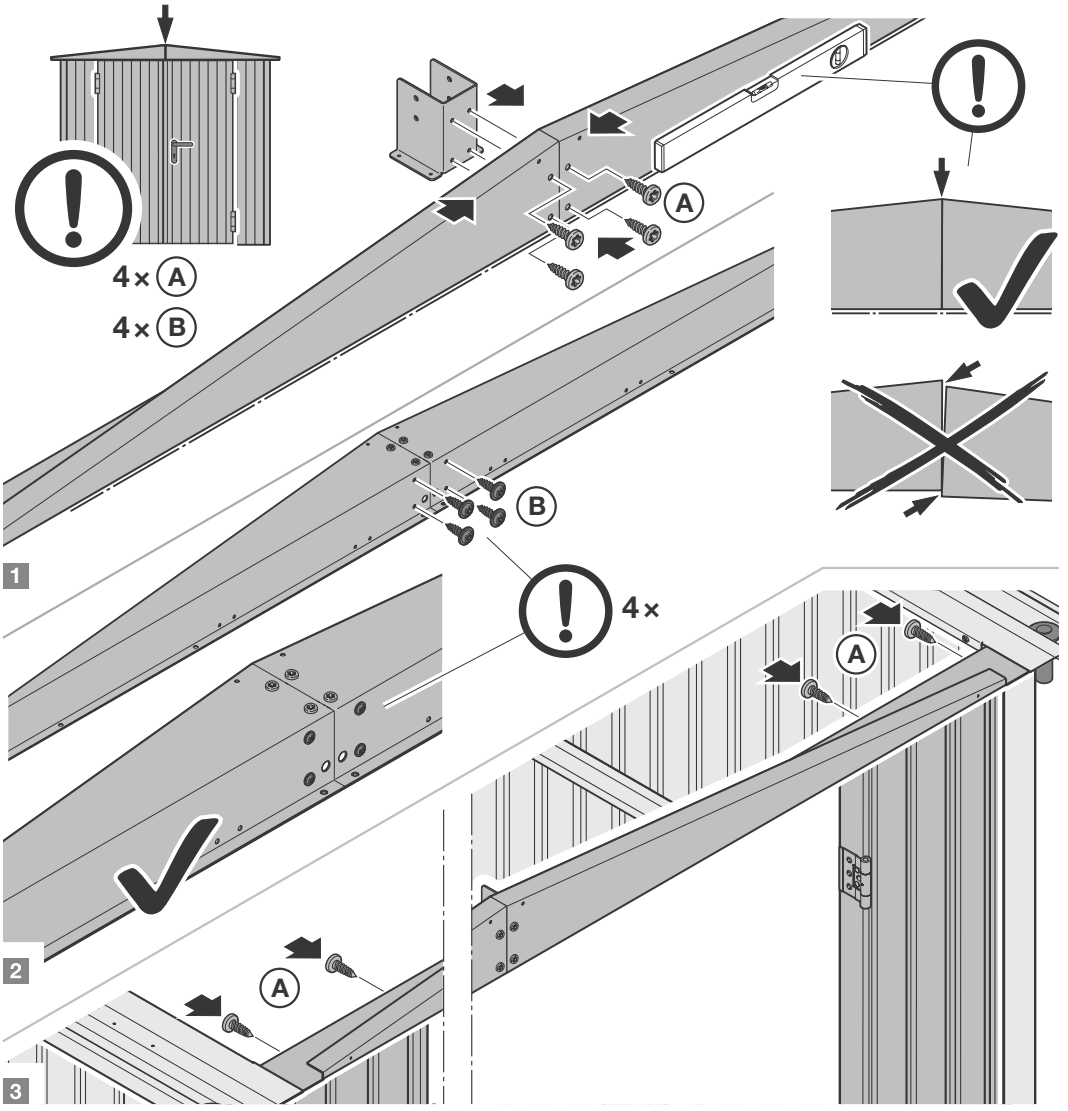


$a = b$

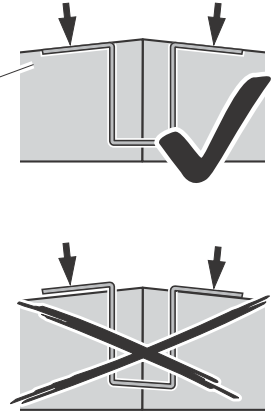
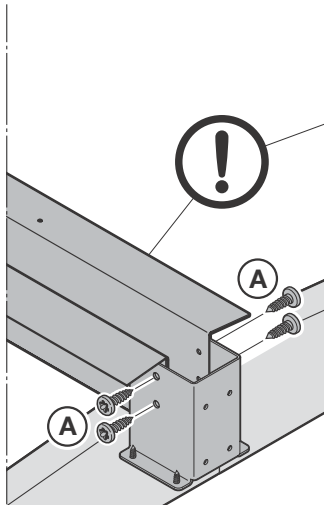
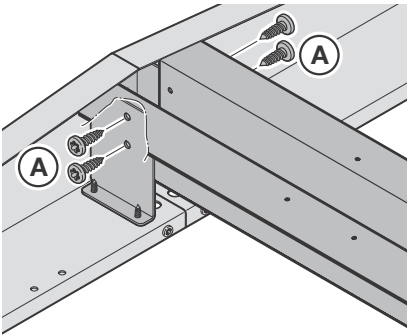
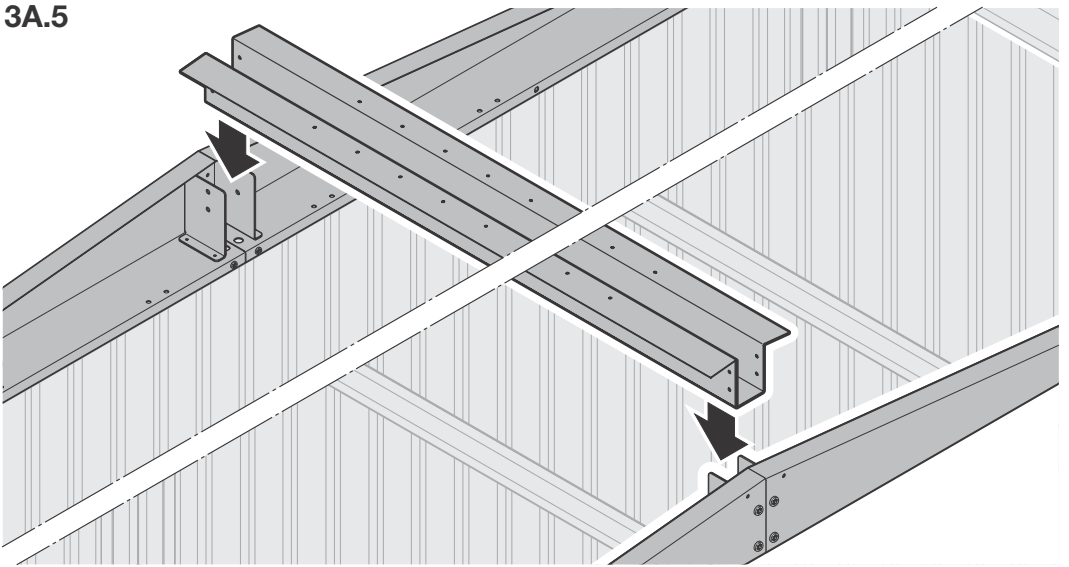


4x (A)

4x (B)



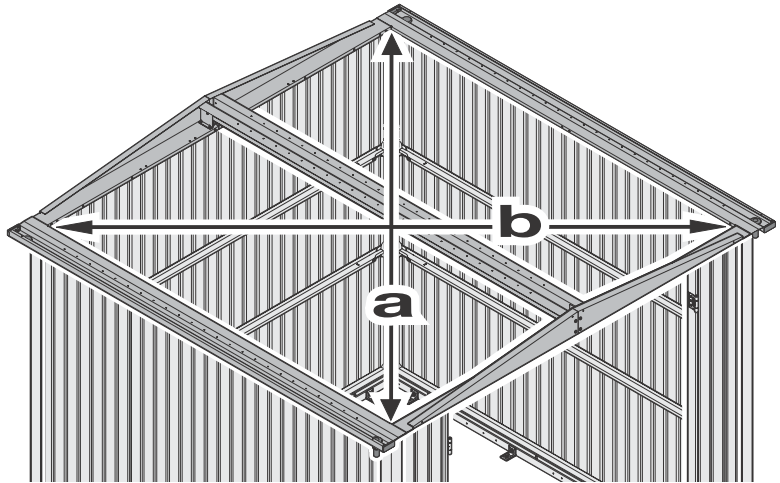
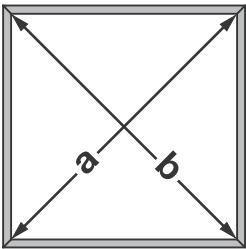
3A.5



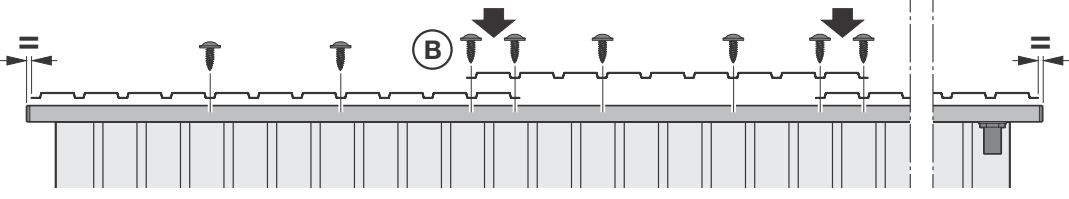
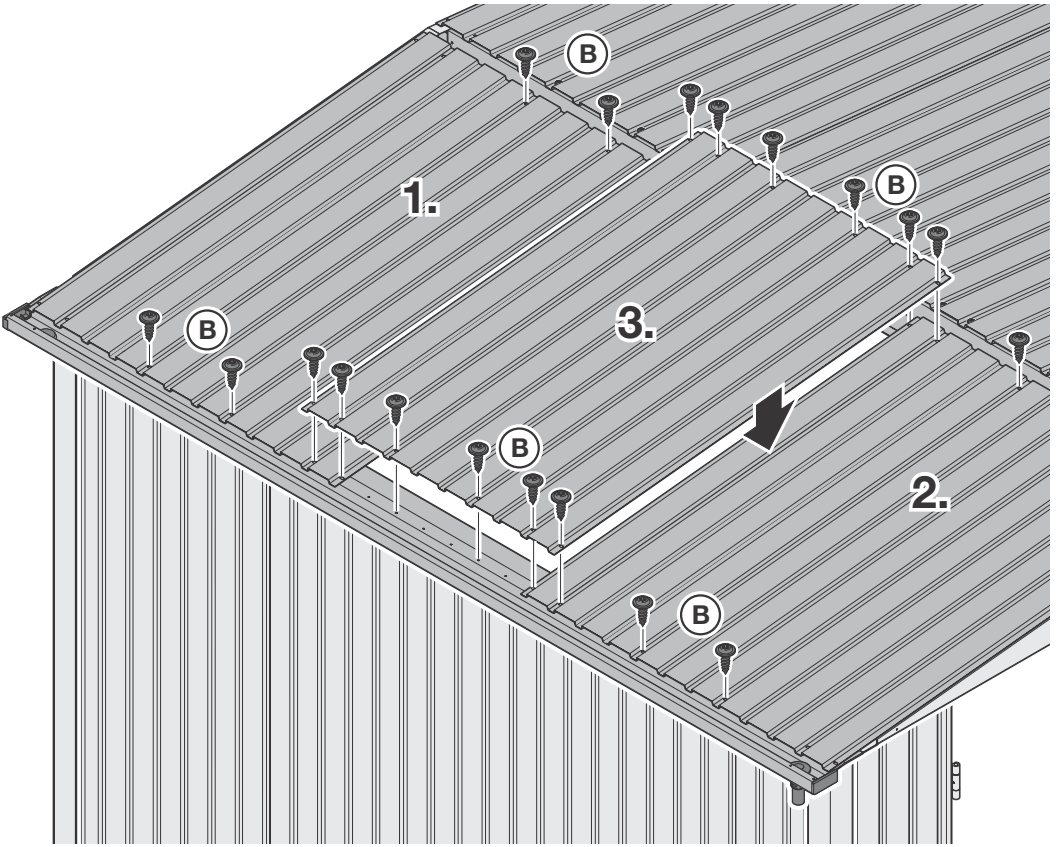
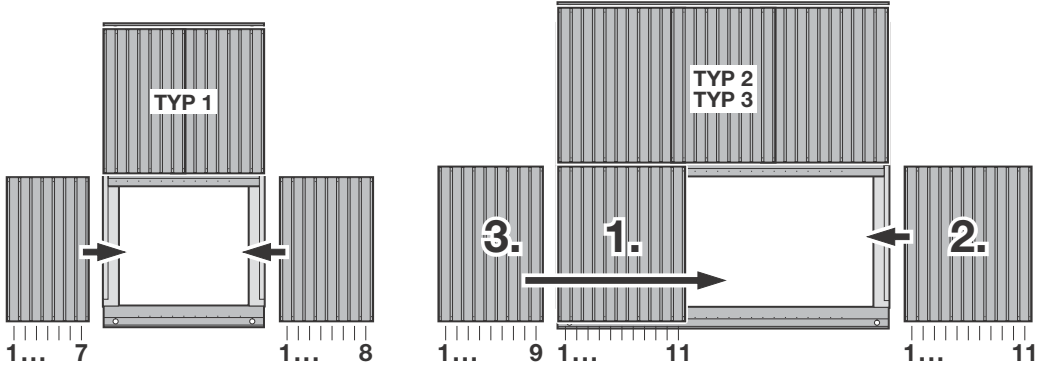
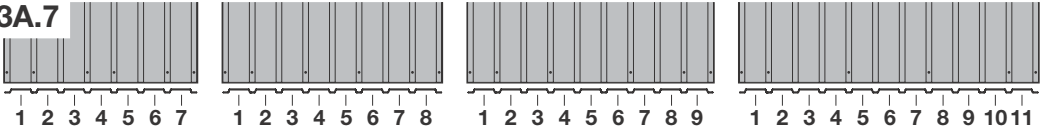
3A.6



$a = b$

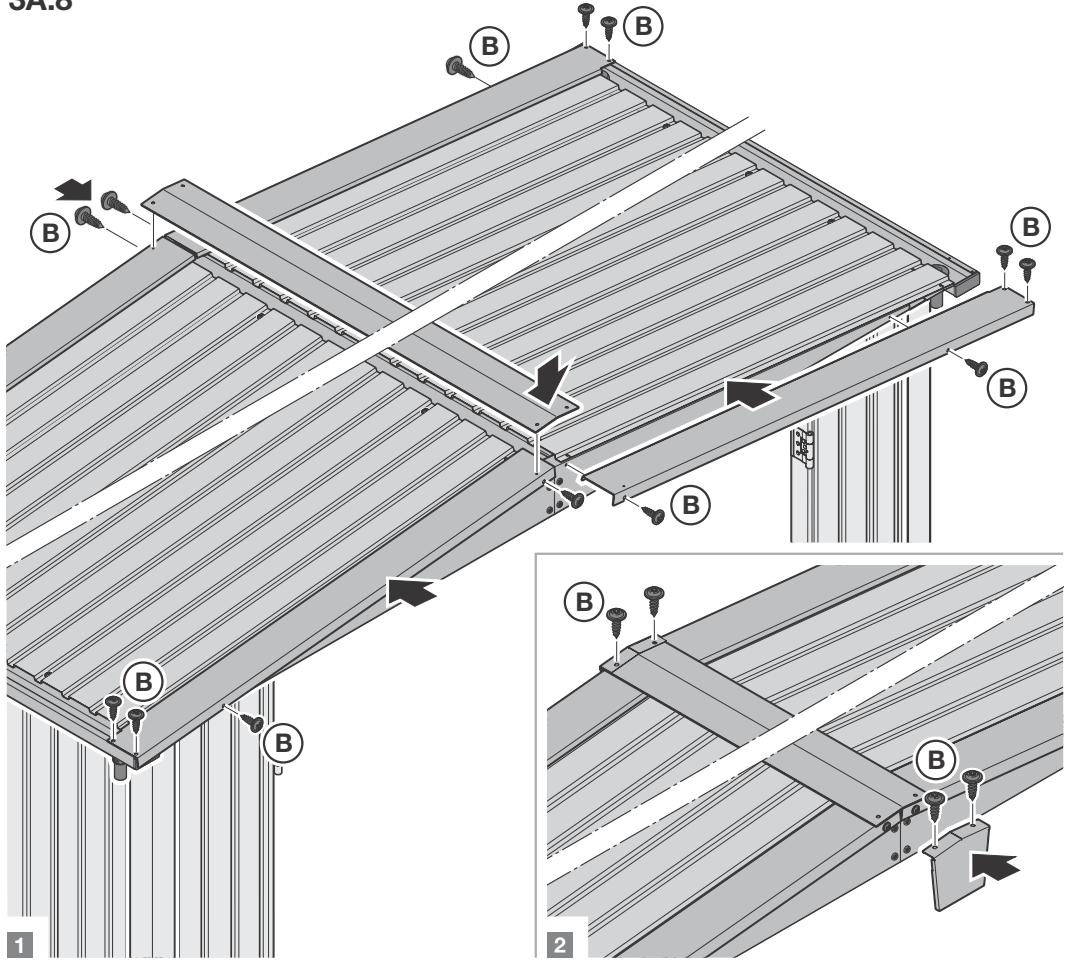


**3A.7**

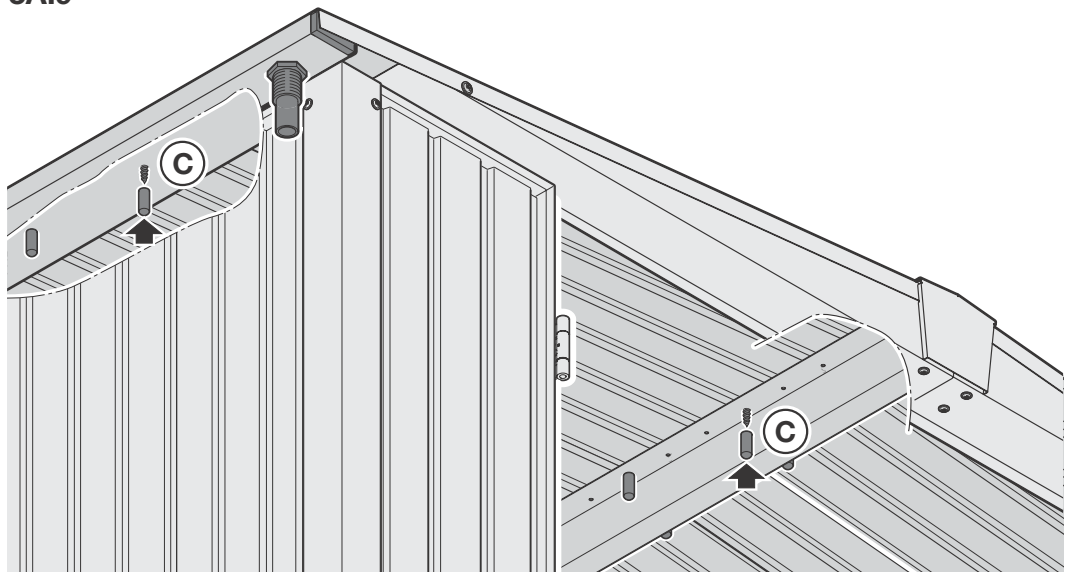




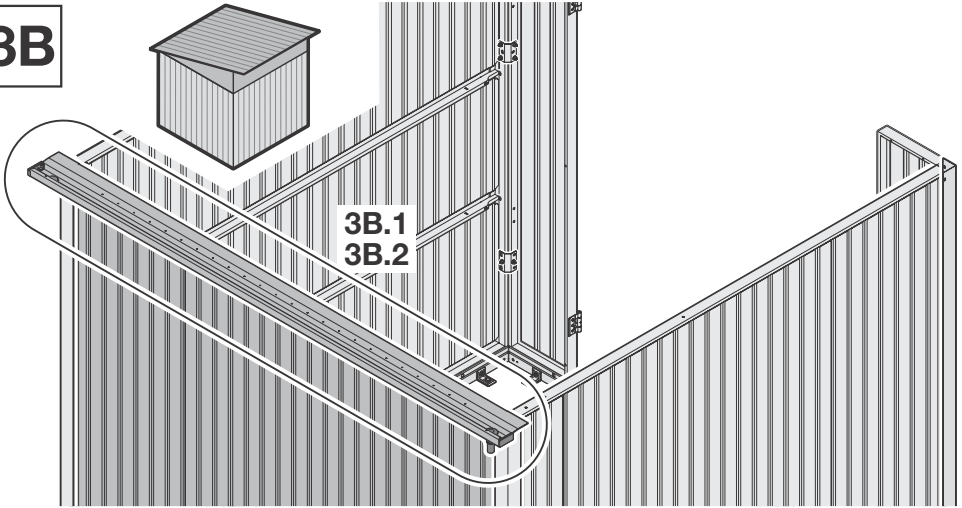
3A.8



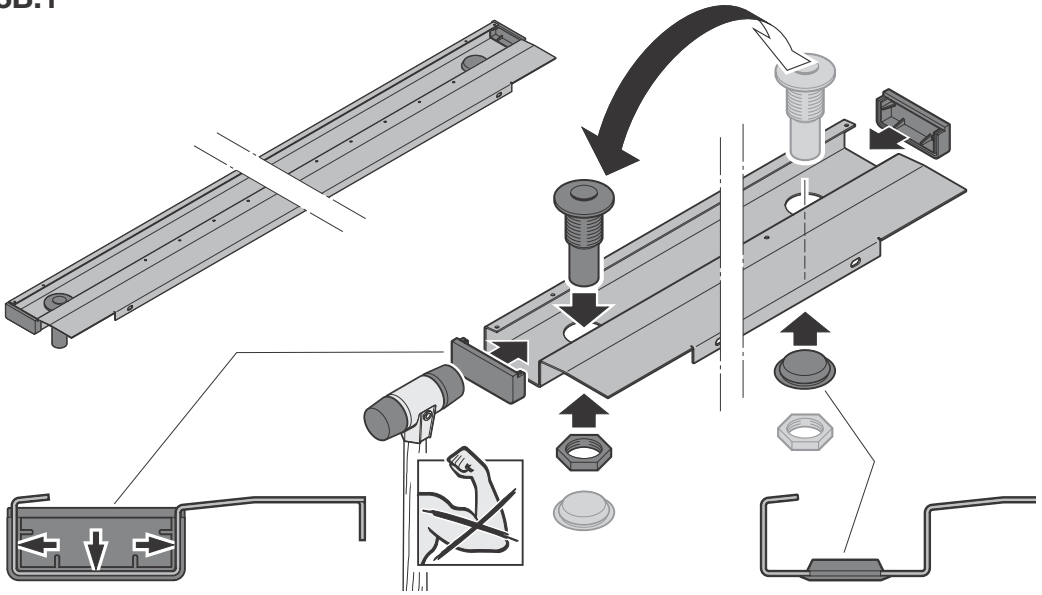
3A.9



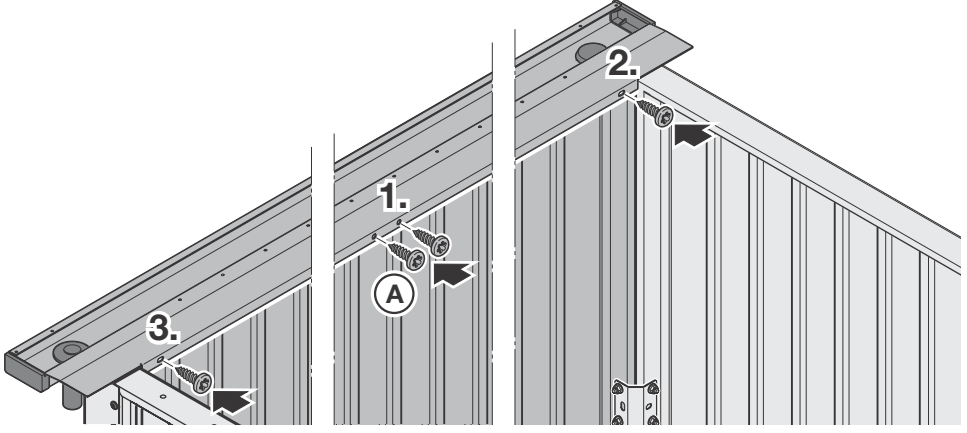
**3B**

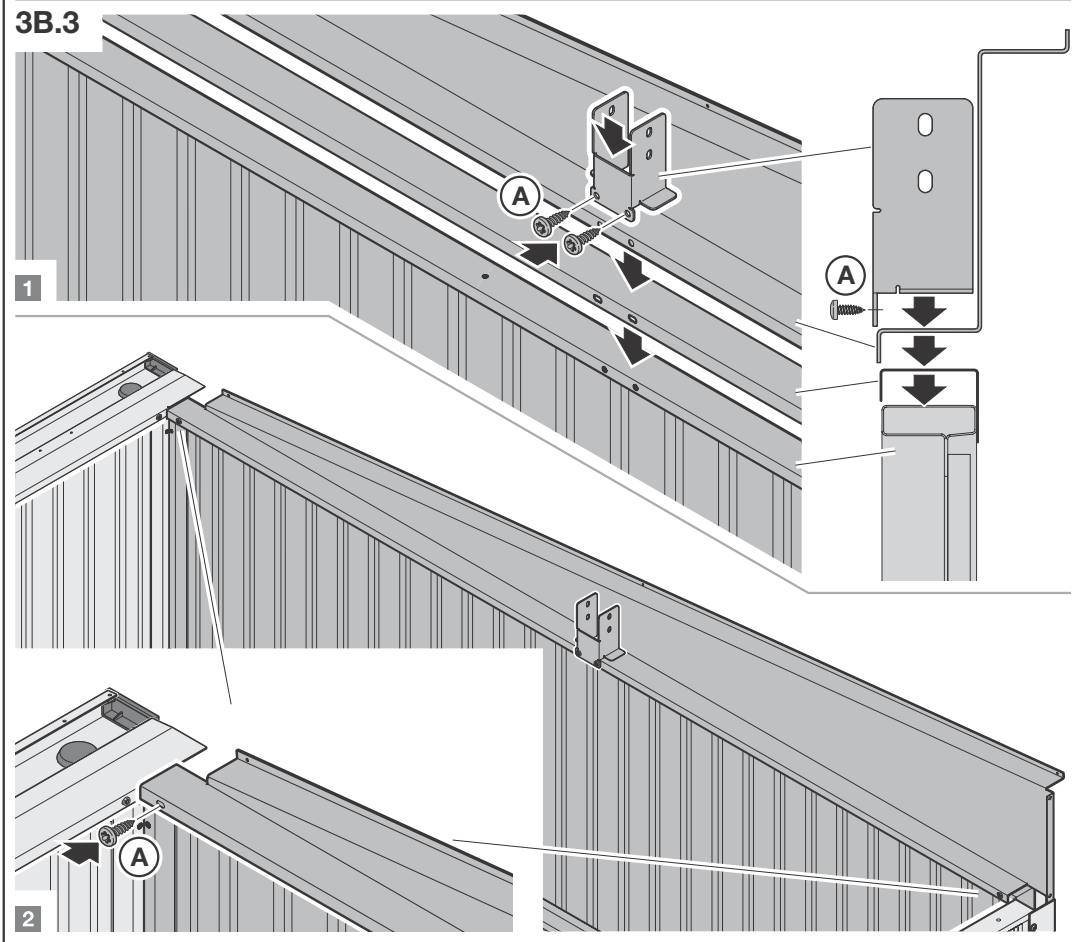
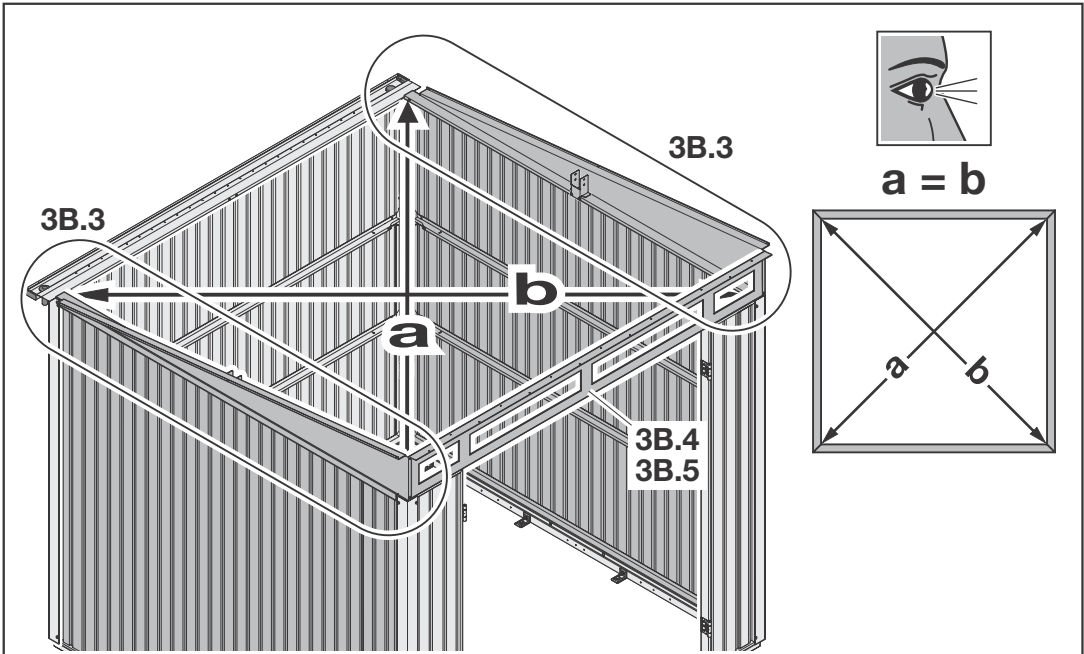


**3B.1**

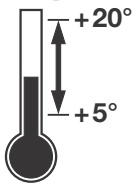


**3B.2**

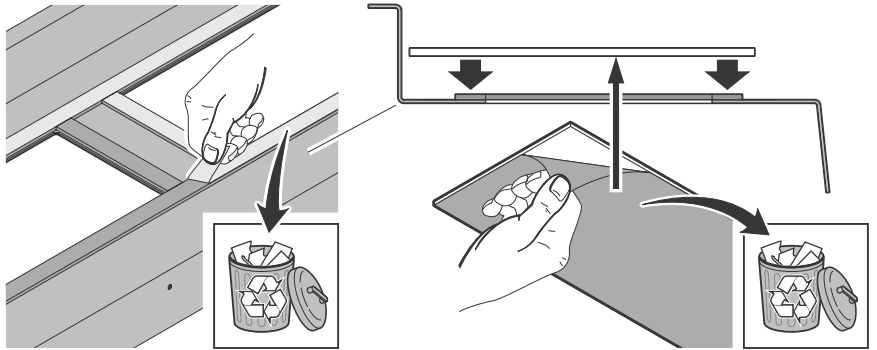




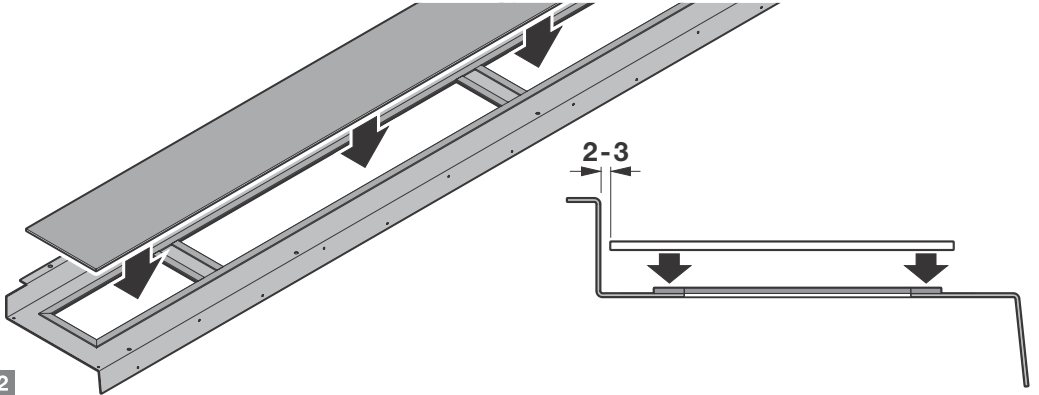
### 3B.4



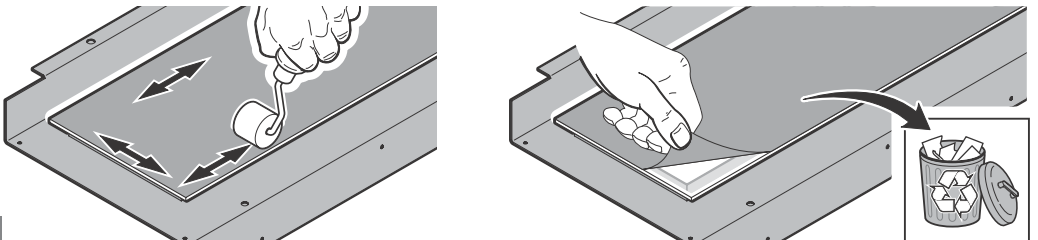
1



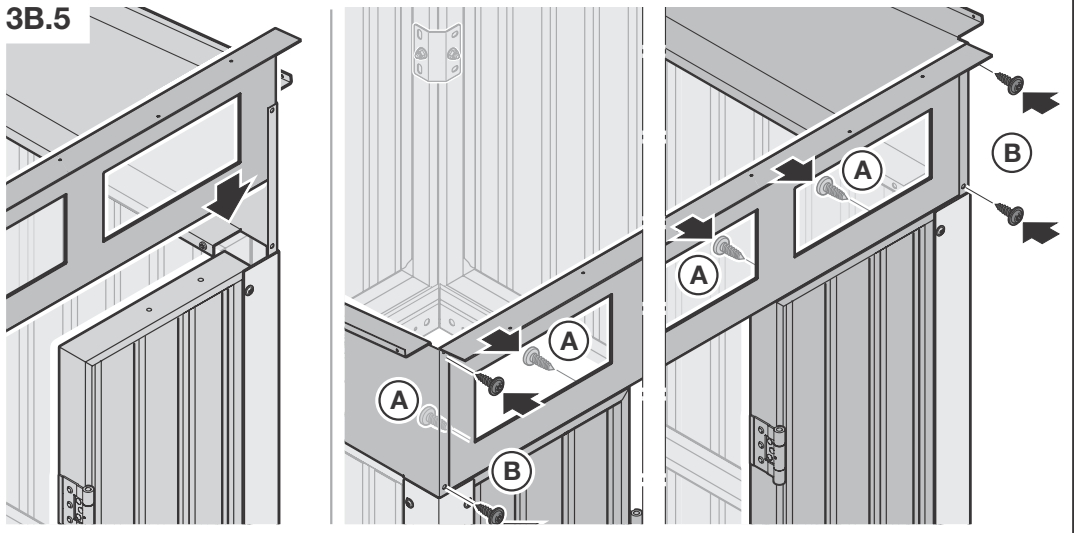
2



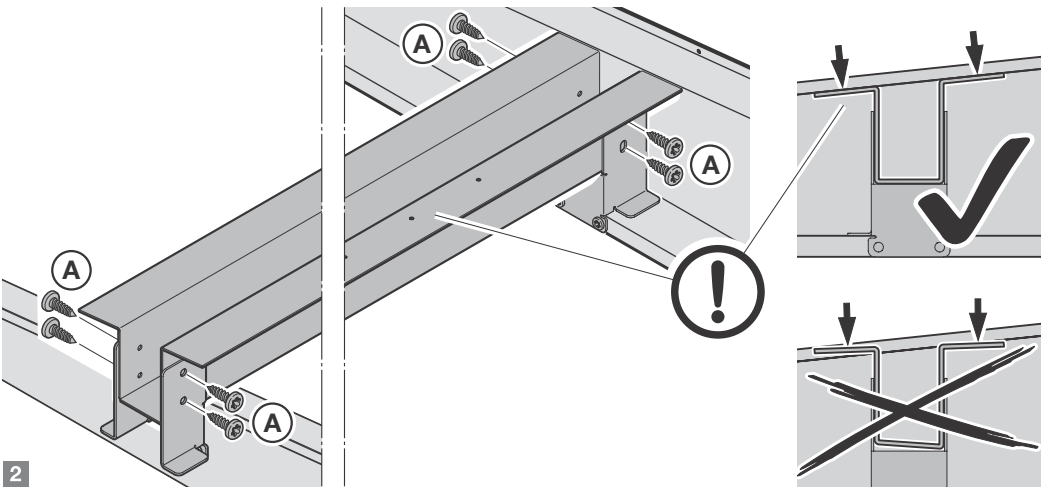
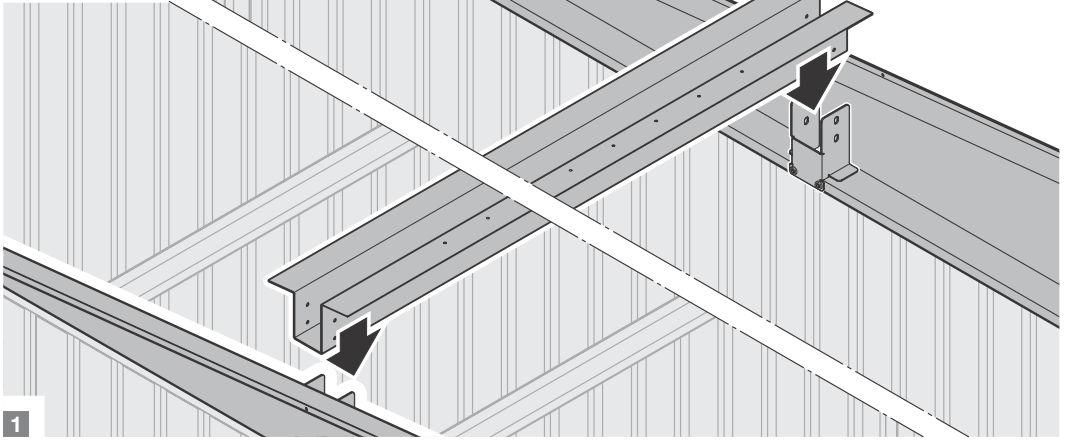
3



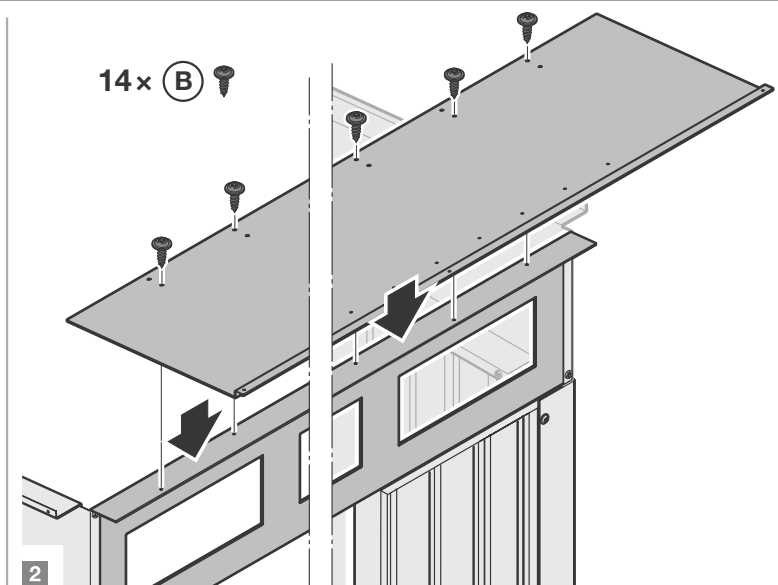
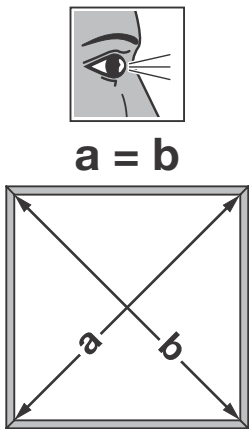
### 3B.5



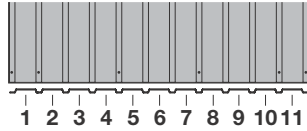
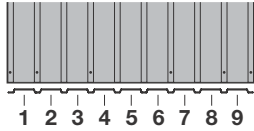
### 3B.6



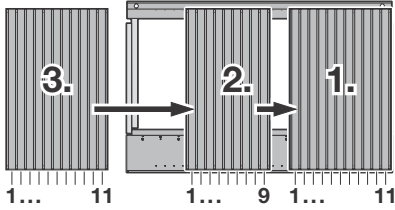
### 3B.7



**3B.8**

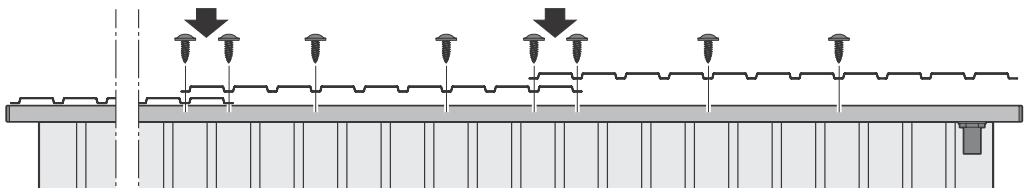
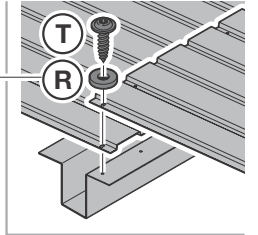
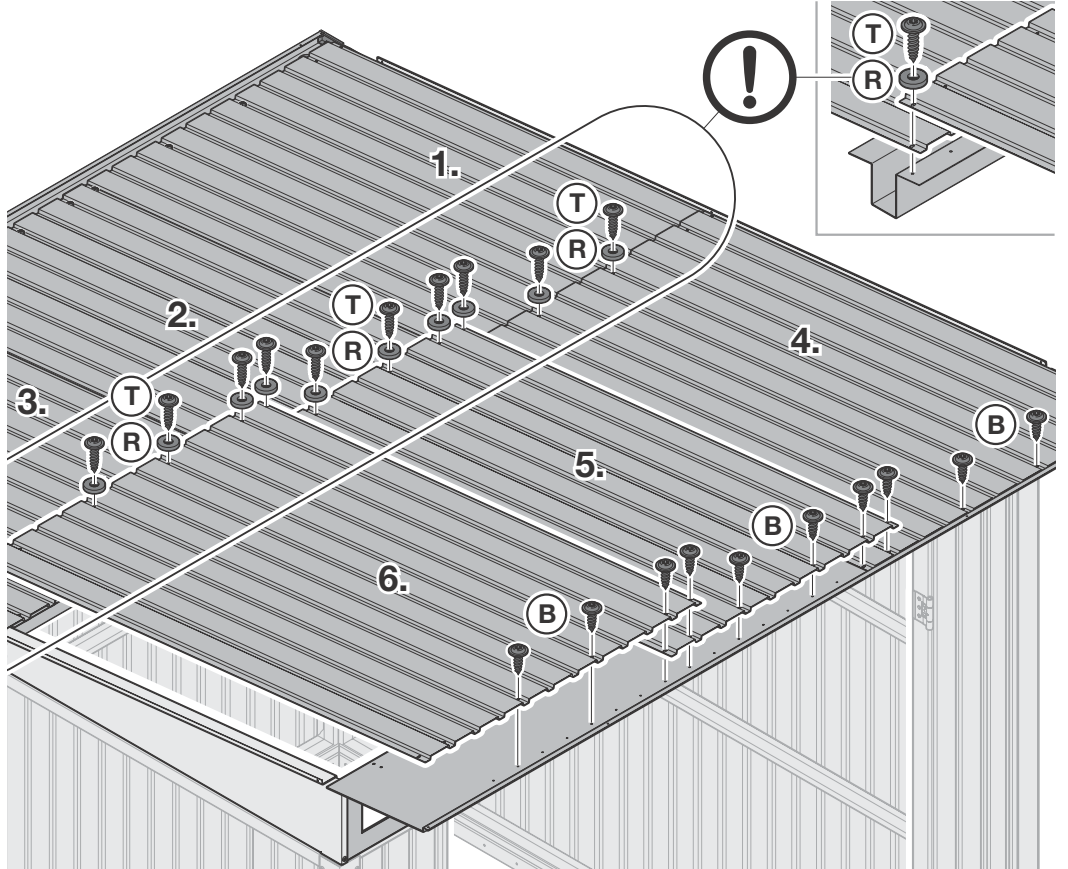
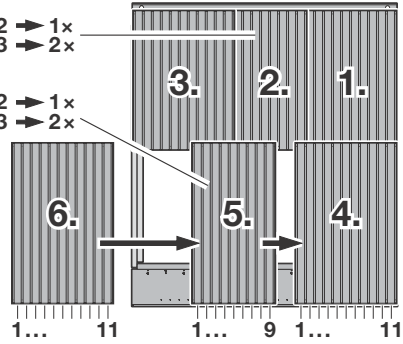


**TYP 1**

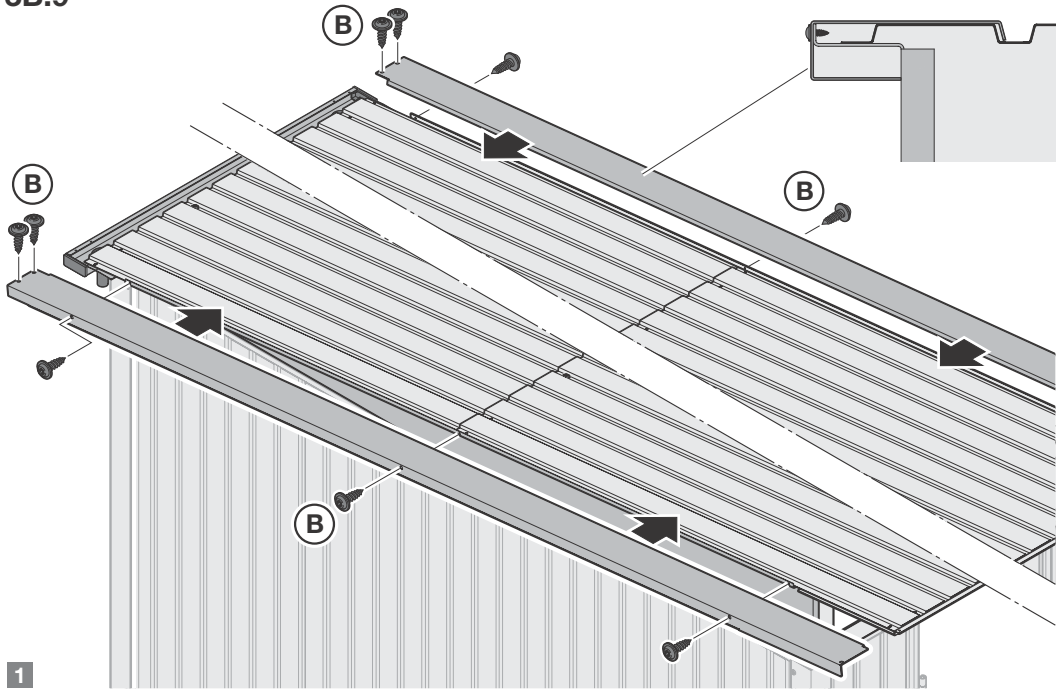


TYP 2 → 1x  
TYP 3 → 2x

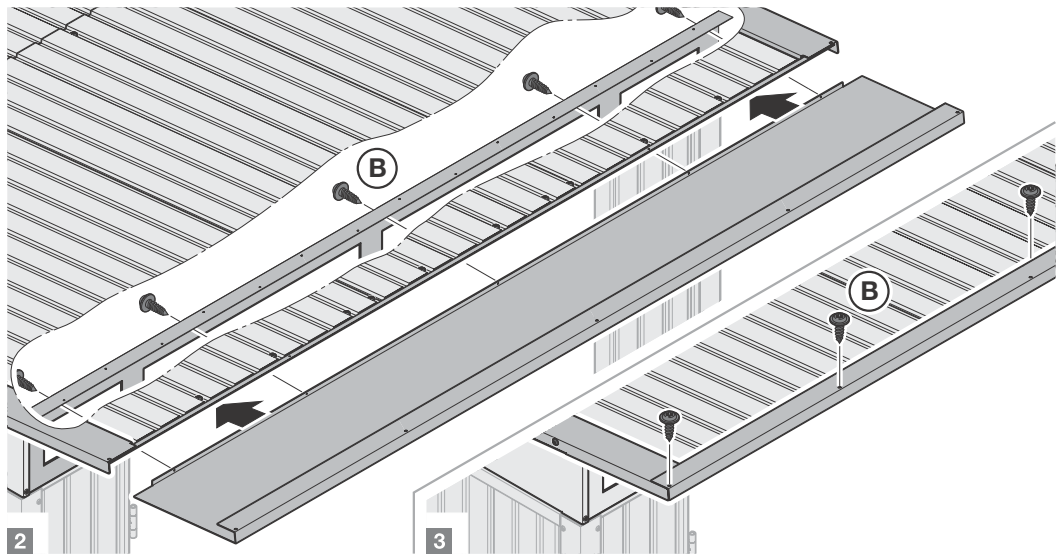
TYP 2 → 1x  
TYP 3 → 2x



3B.9



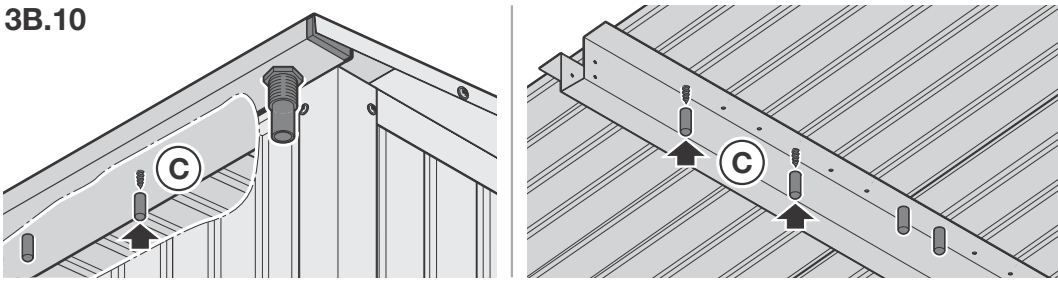
1



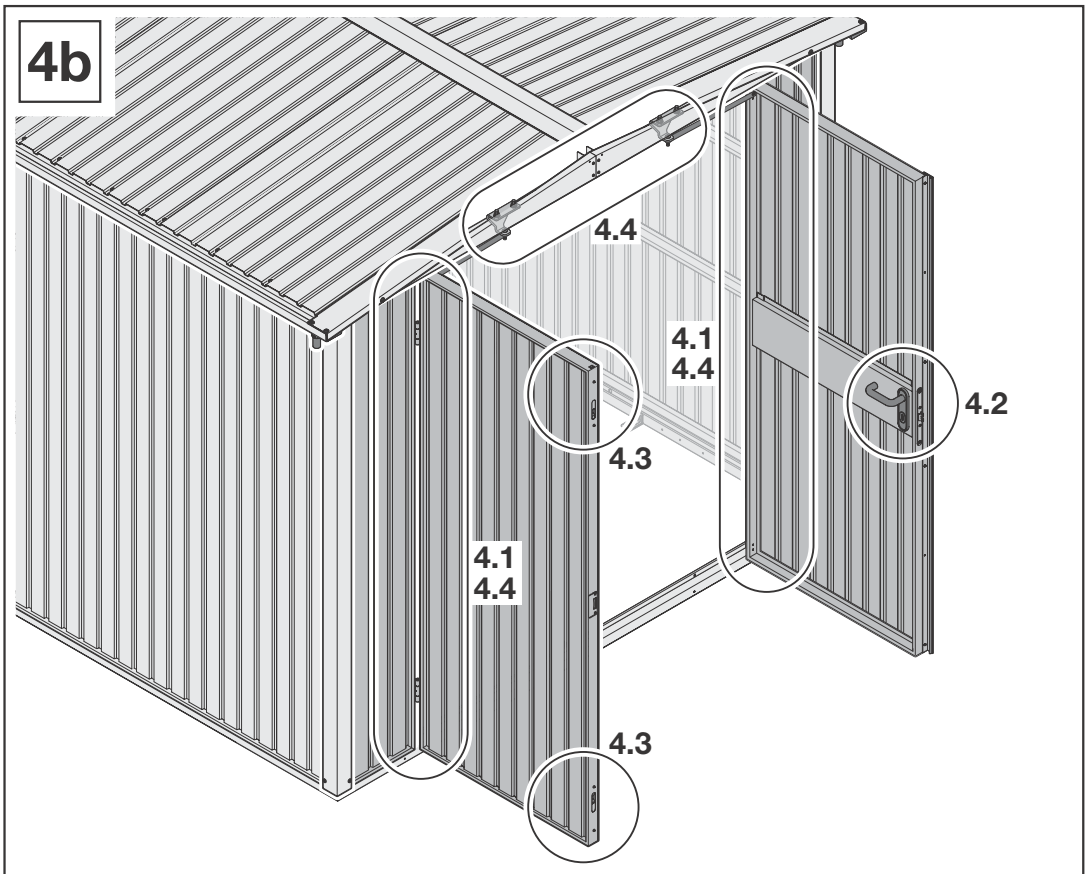
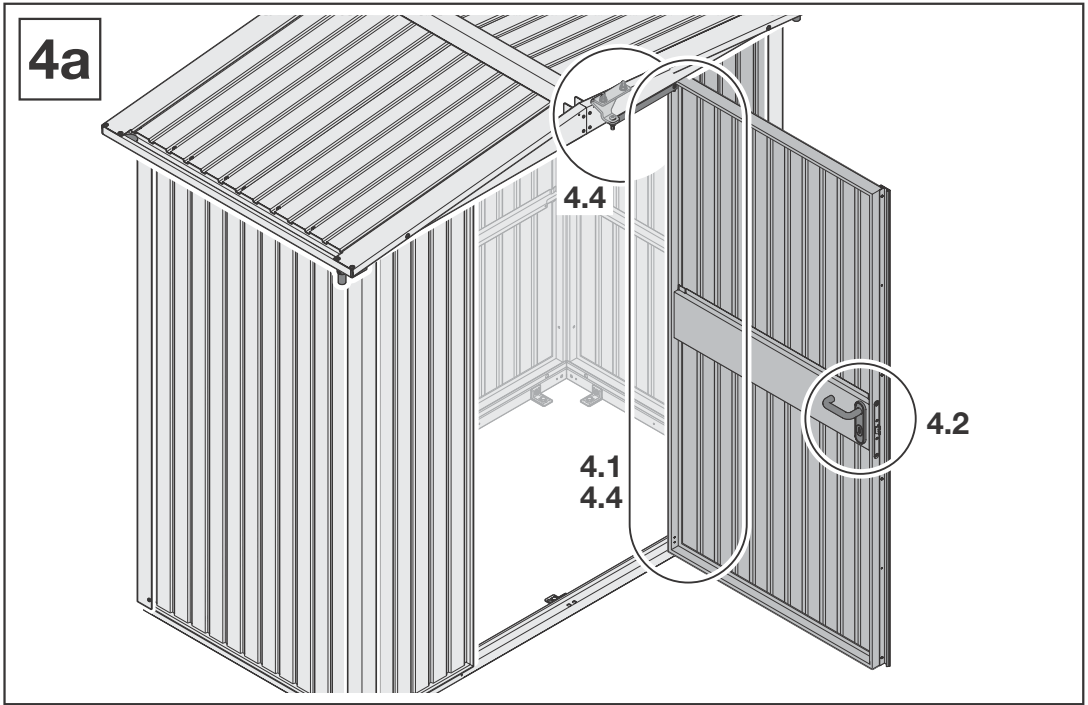
2

3

3B.10

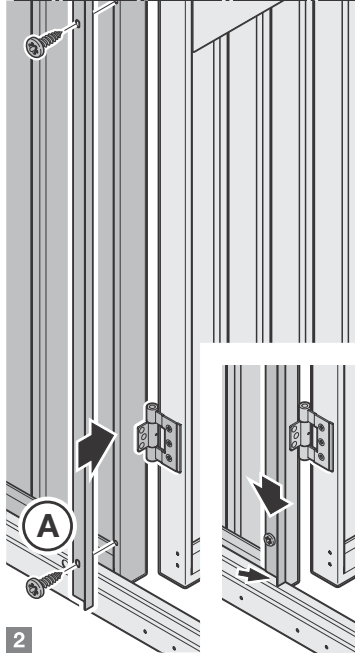
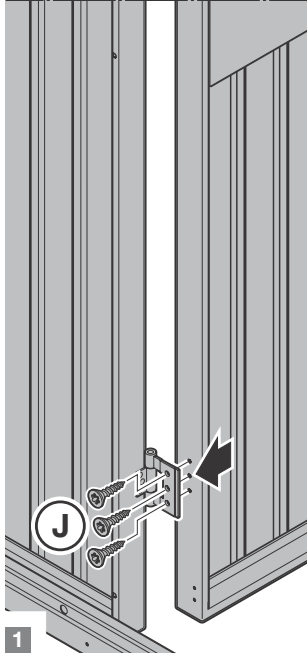
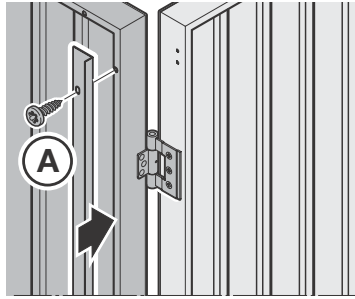
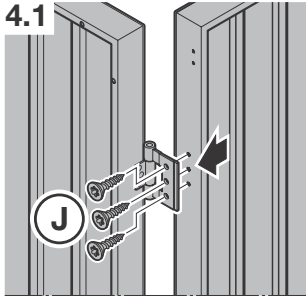






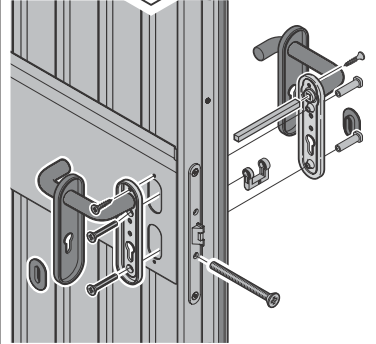


4.1

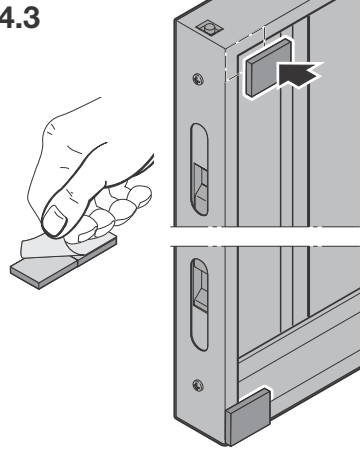


4.2

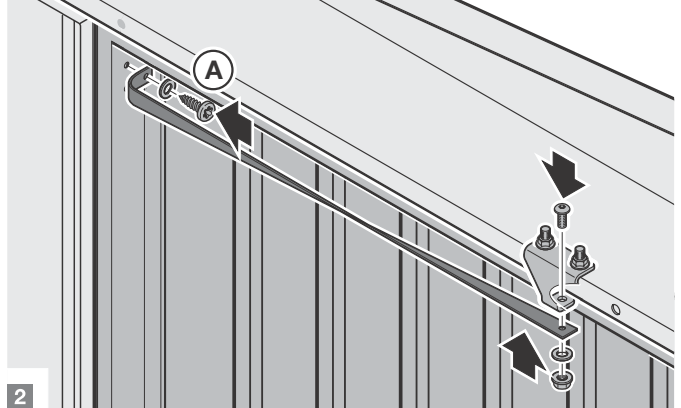
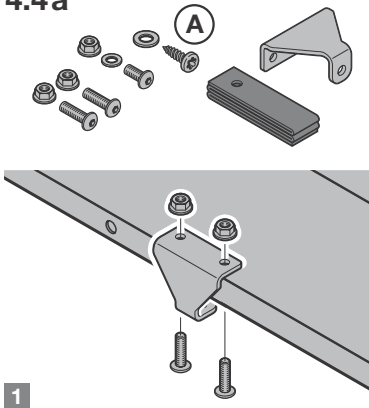
1327 100



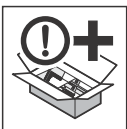
4.3



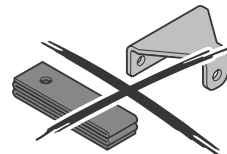
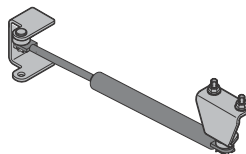
4.4a



4.4b



1342 346



## Contact information

Austria



Belgium



Croatia



Denmark



Estonia



Finland



France



Germany



Ireland



Italy



Latvia



Lithuania



Nederland



Norway



Poland



Portugal



Spain



Sweden



Switzerland



UK

