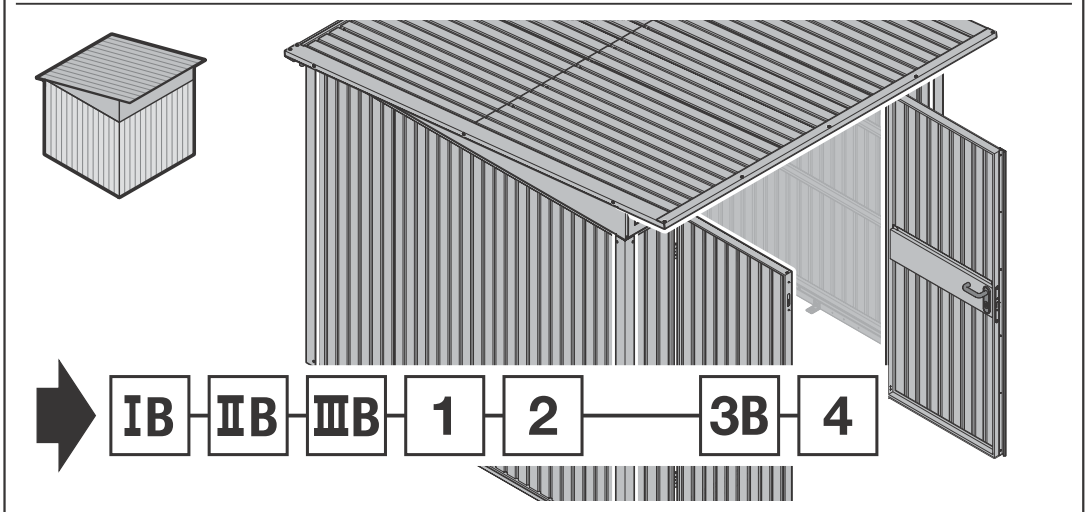
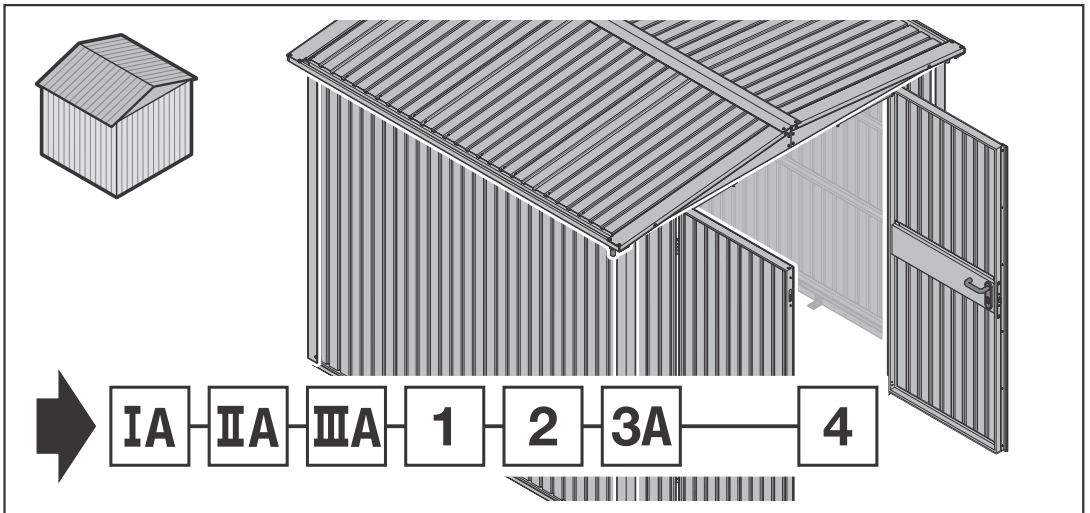
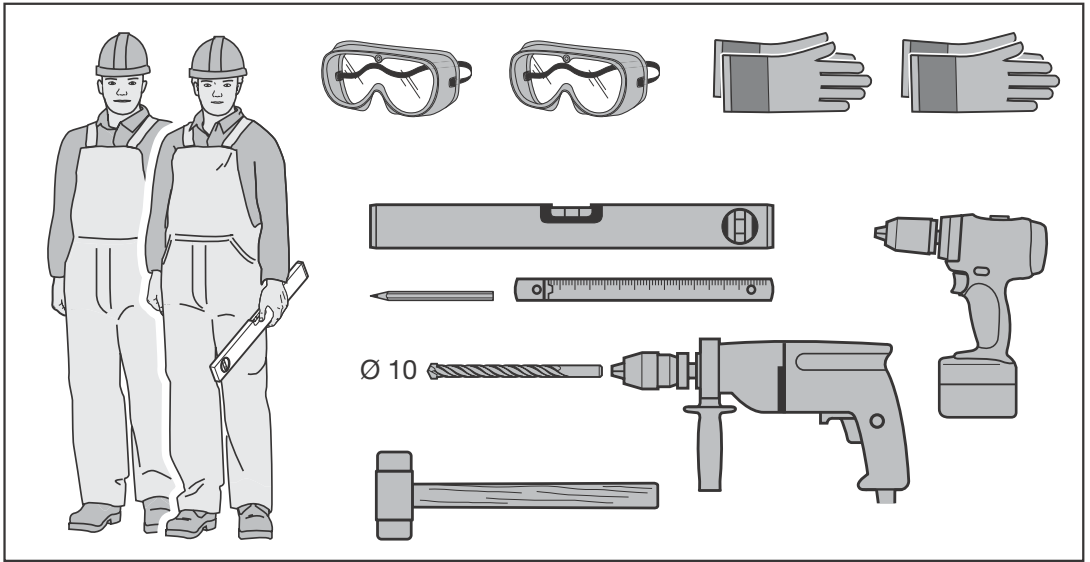


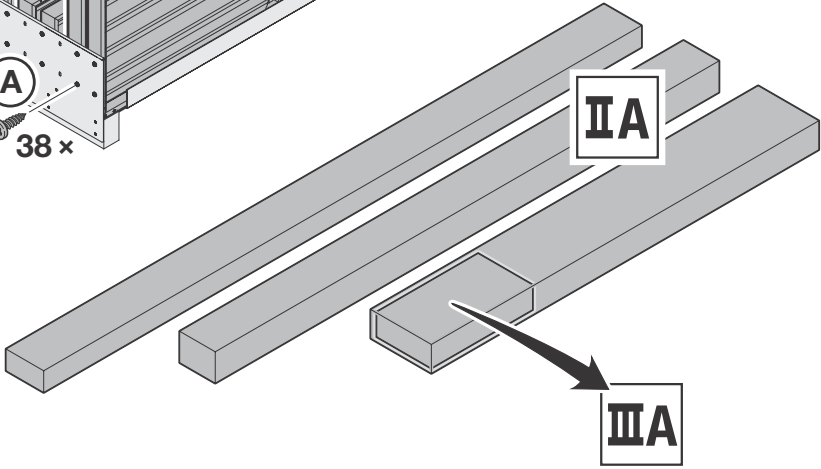
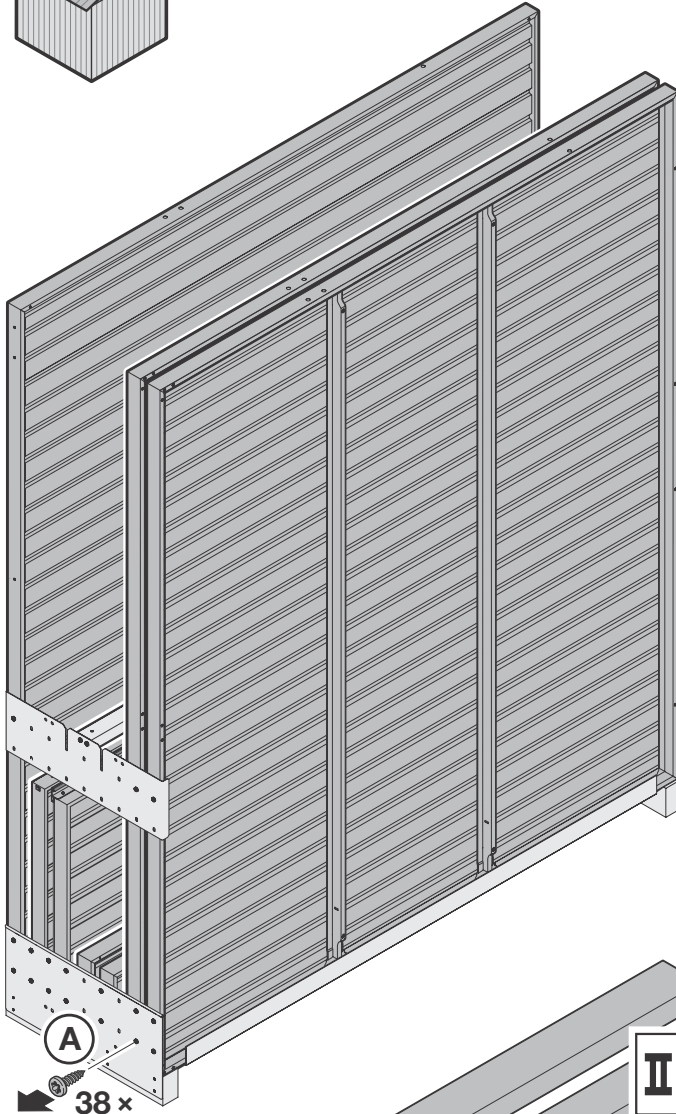
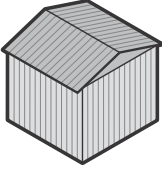
**DANCOVER<sup>®</sup>**

**.com**

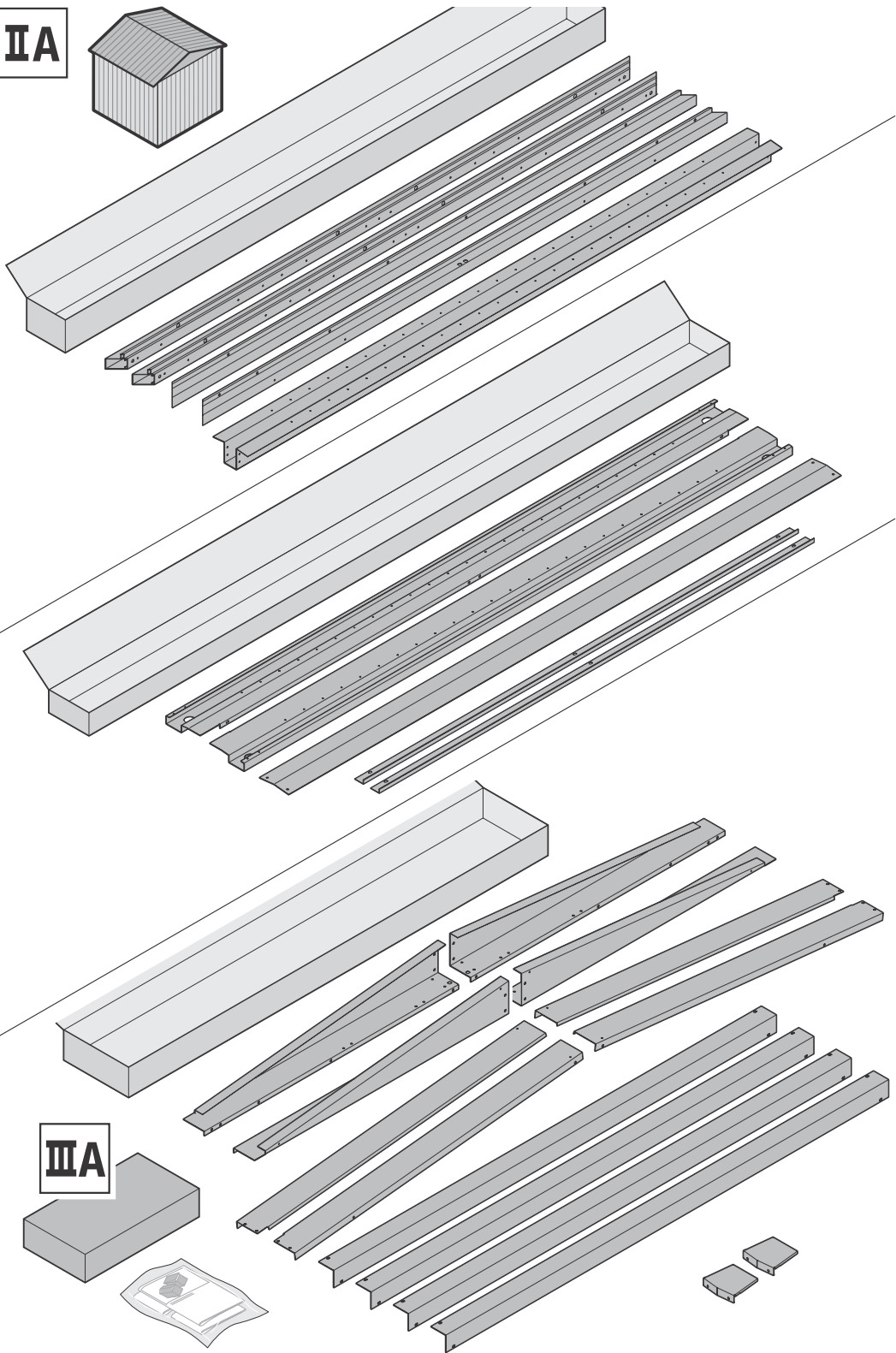
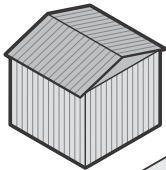
Manual  
for  
Metal Shed Elegant Typ1  
2,48x1,53x2,29m



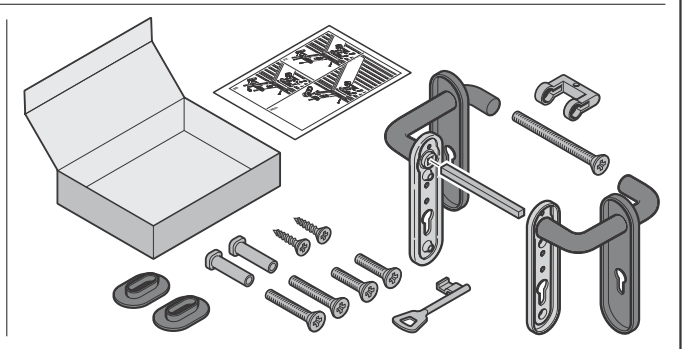
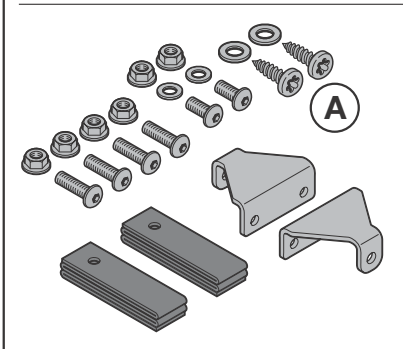
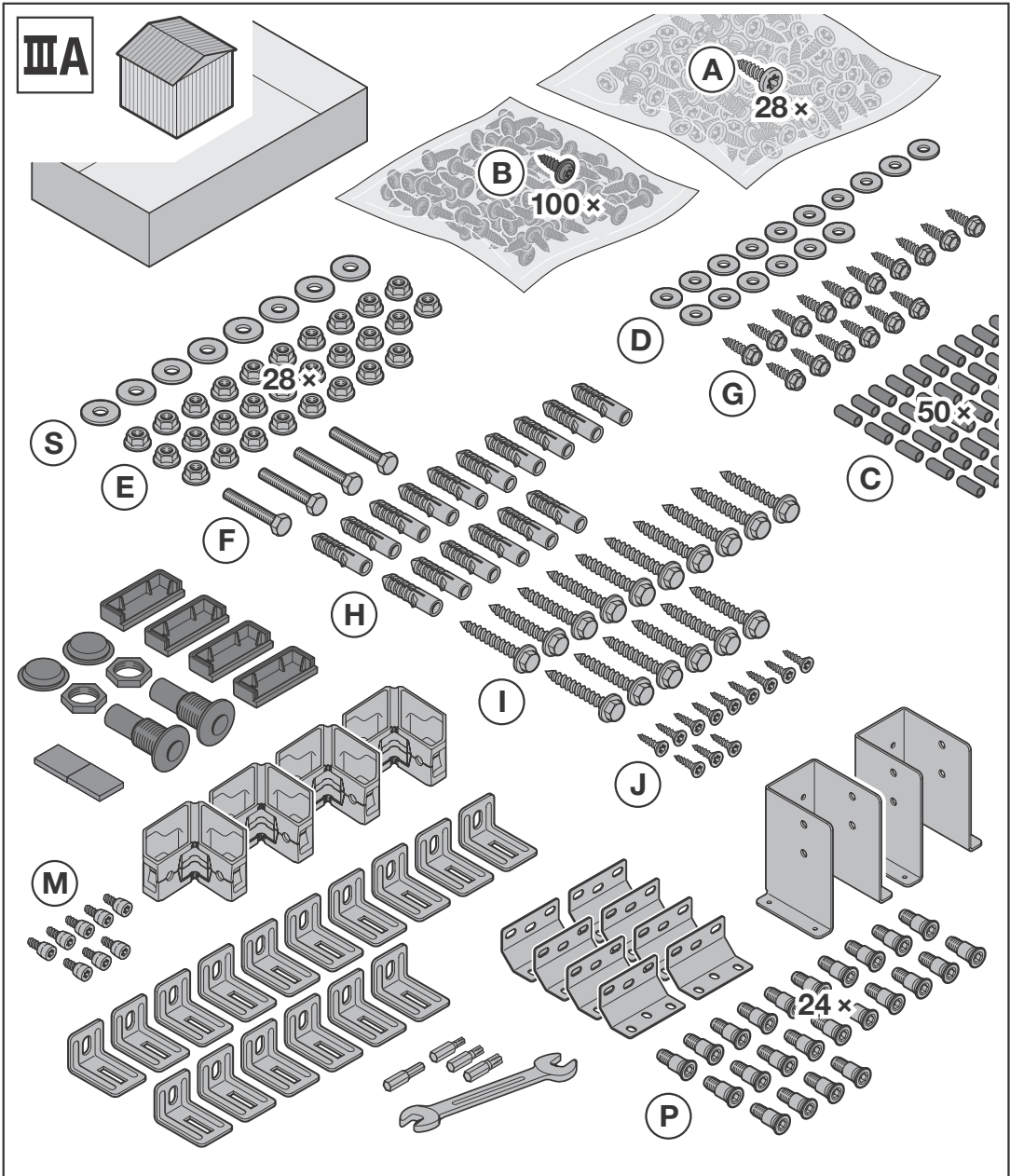
**IA**



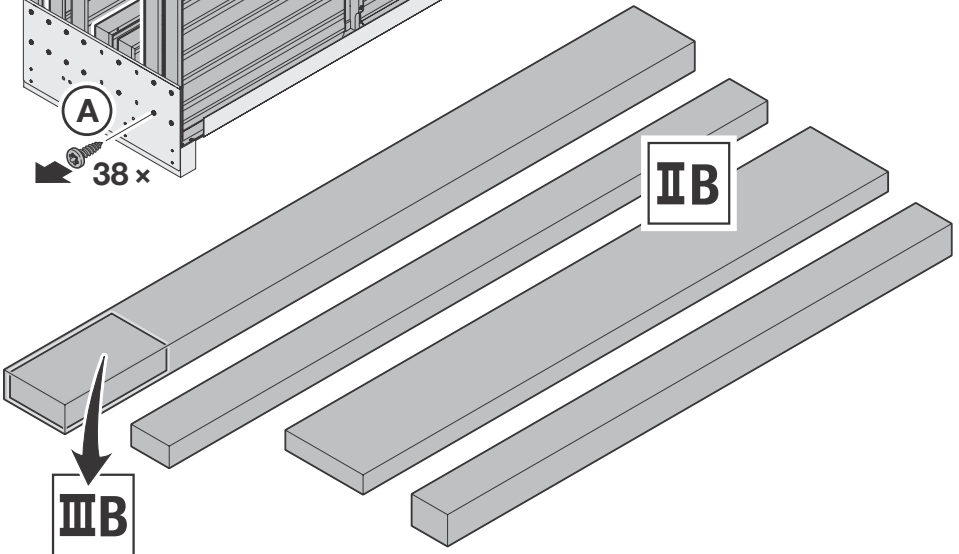
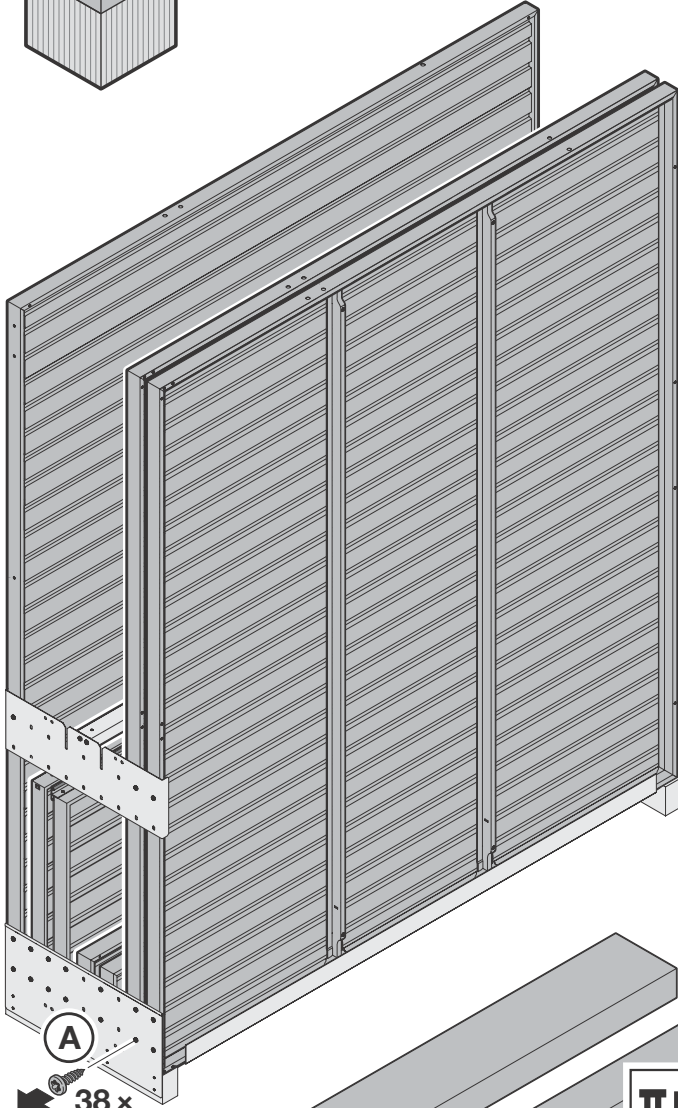
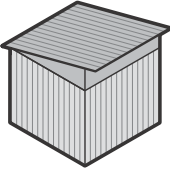
**IIA**



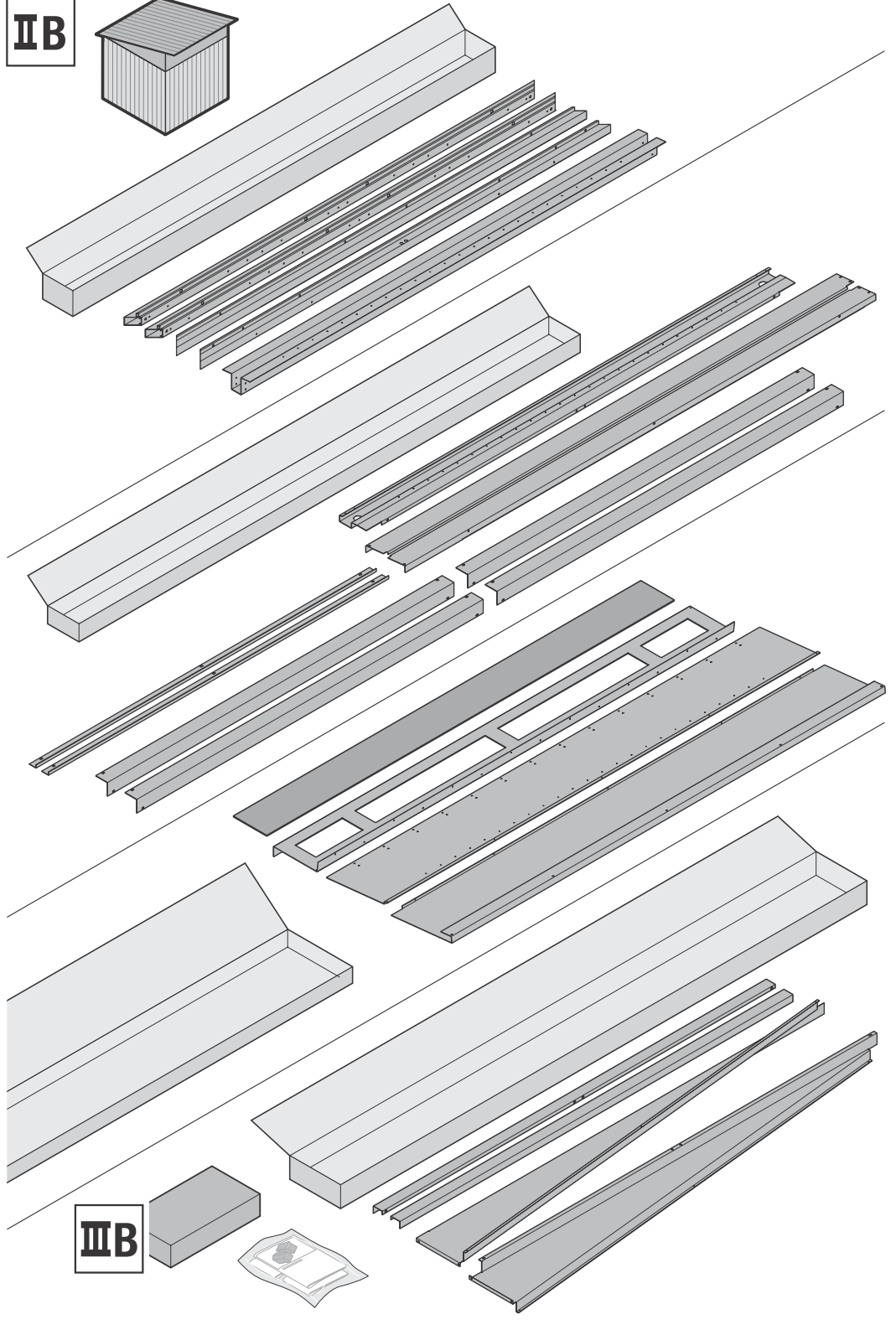
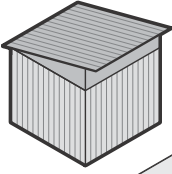
**IIIA**



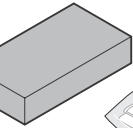
**IB**



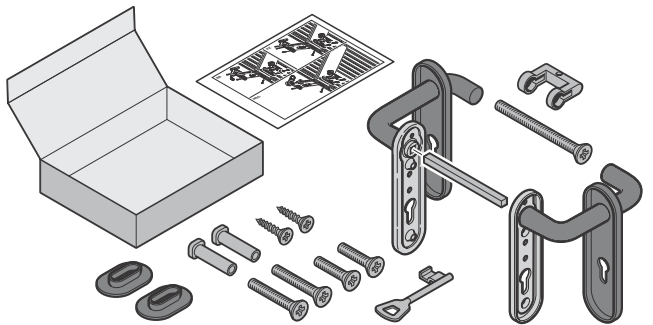
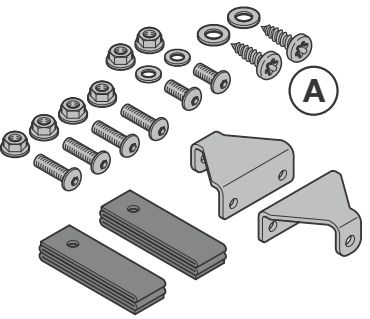
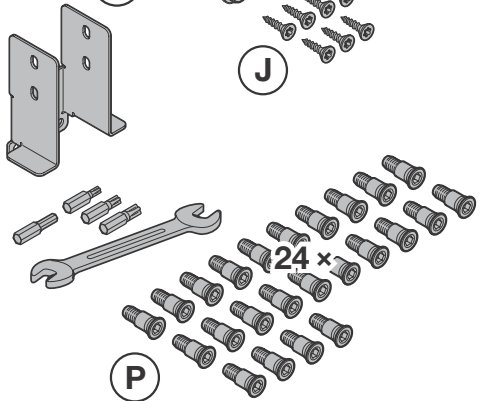
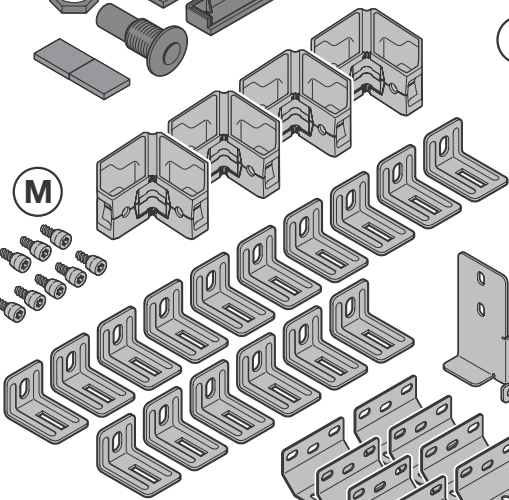
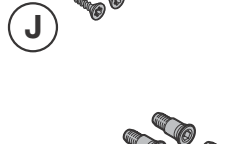
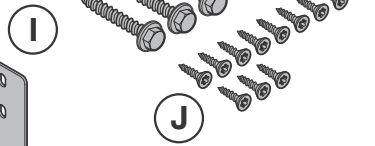
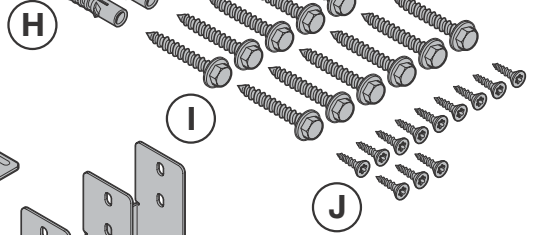
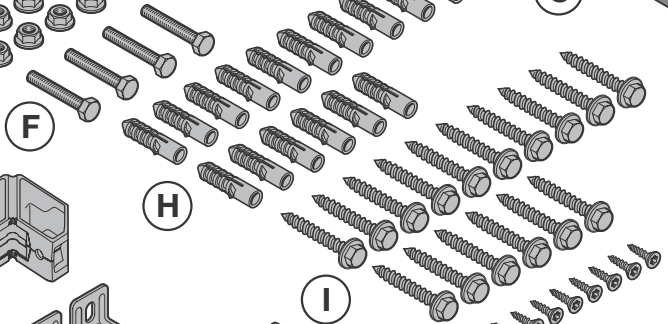
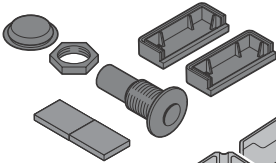
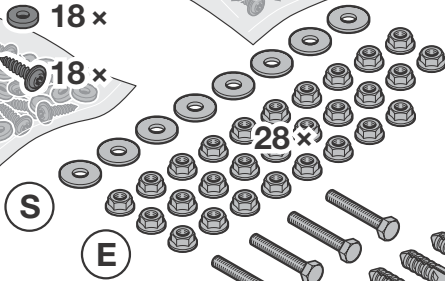
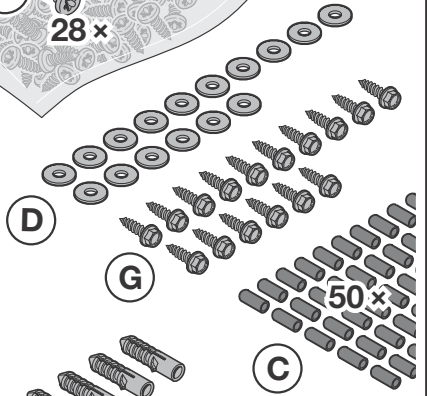
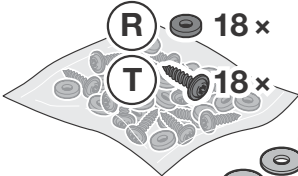
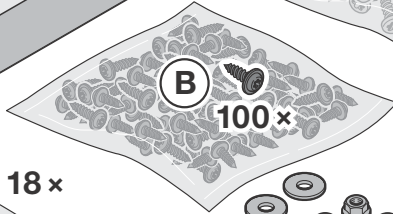
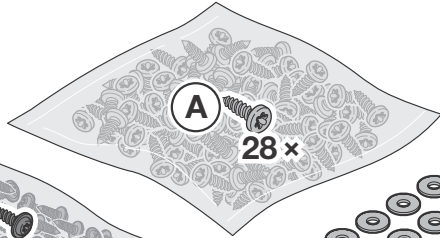
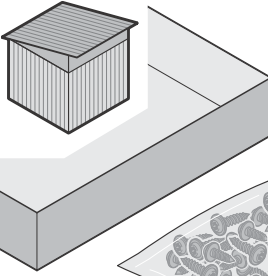
**IB**



**III B**



III B

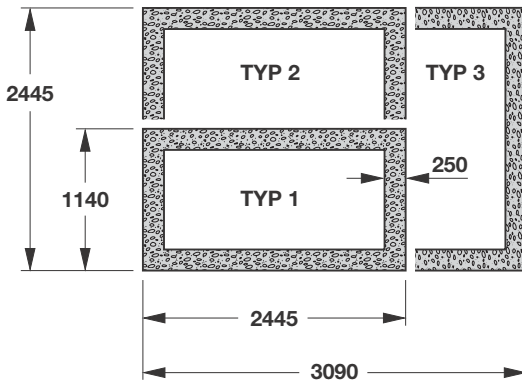
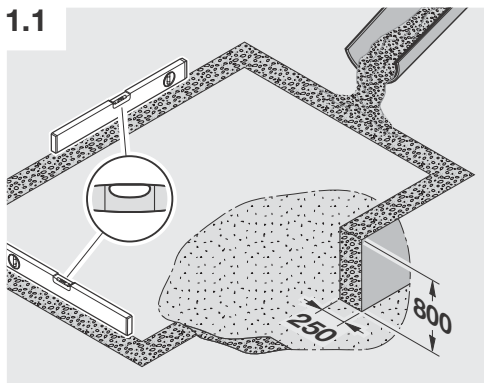




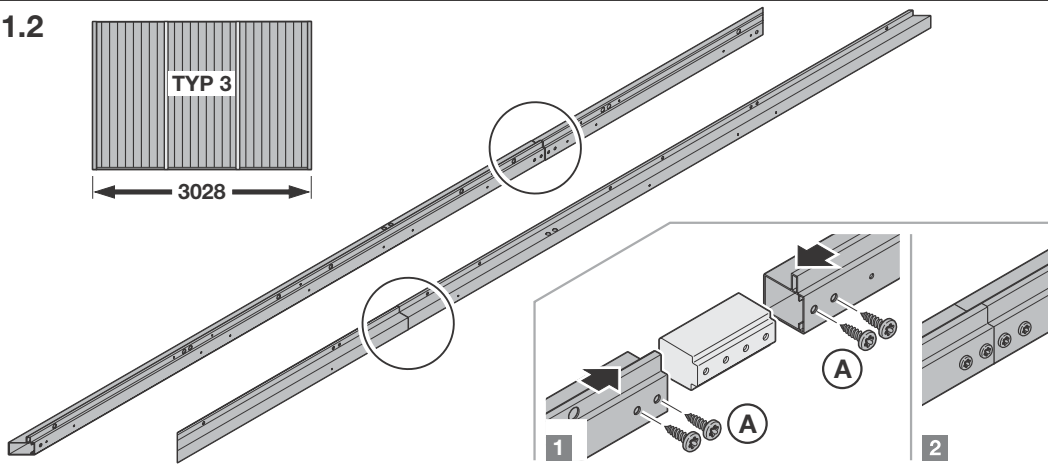
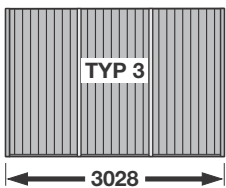
1



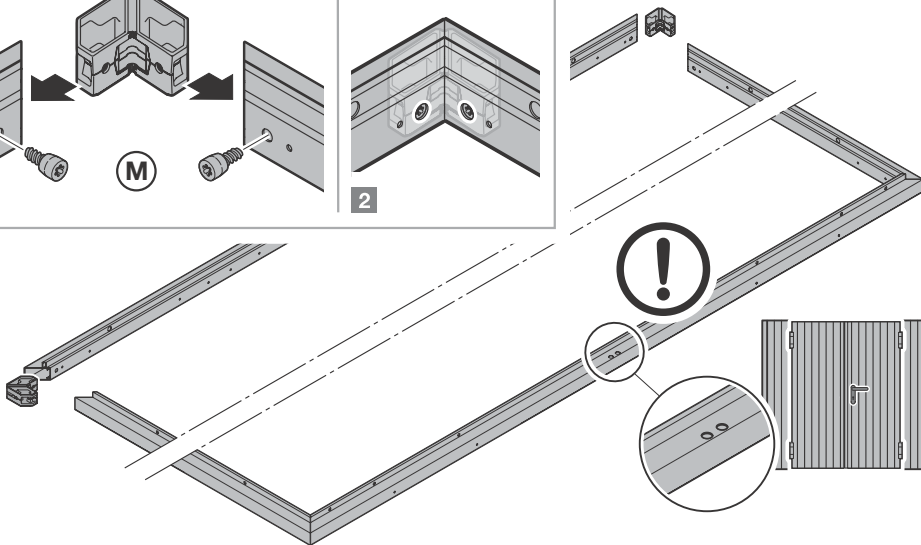
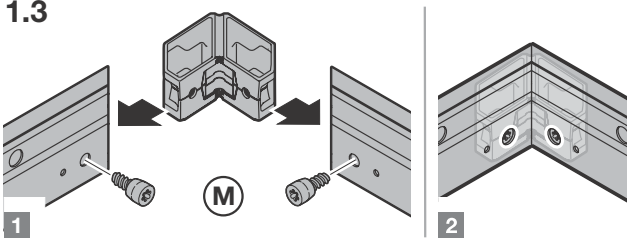
1.1



1.2



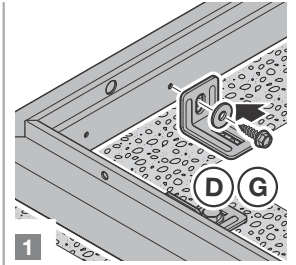
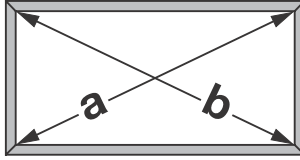
1.3



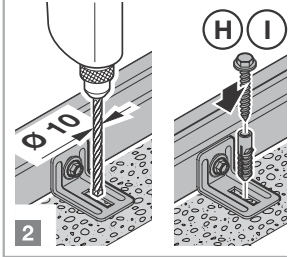
1.4



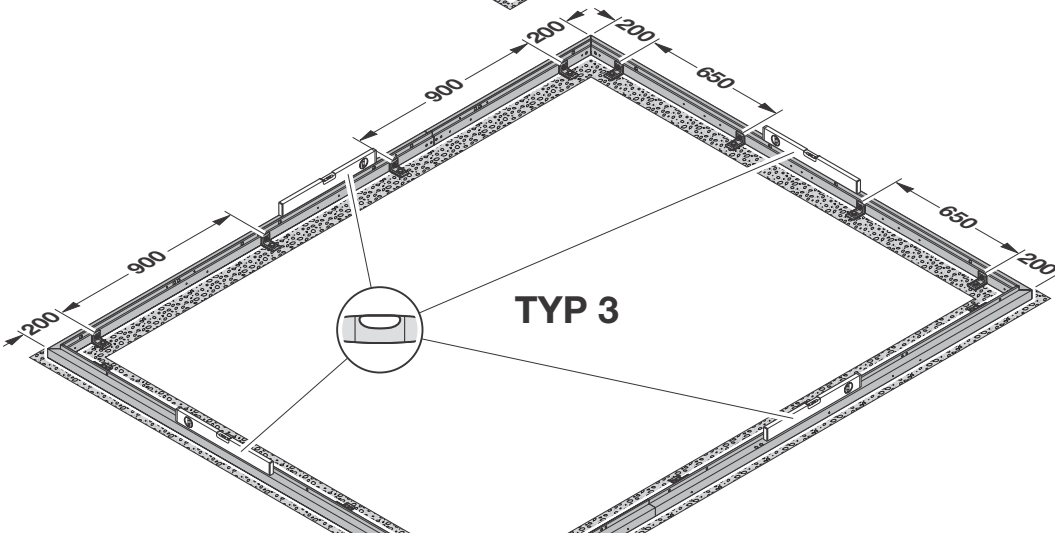
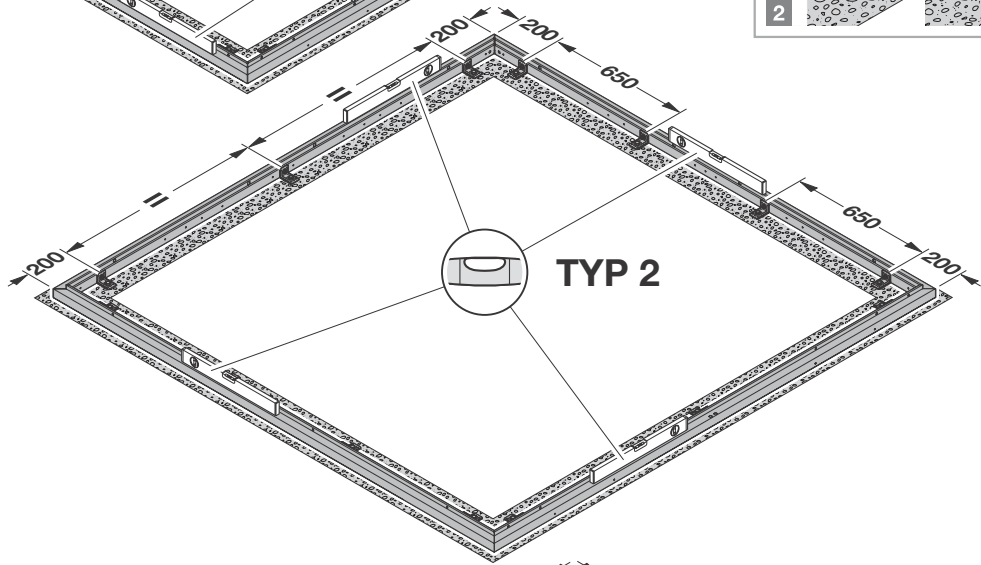
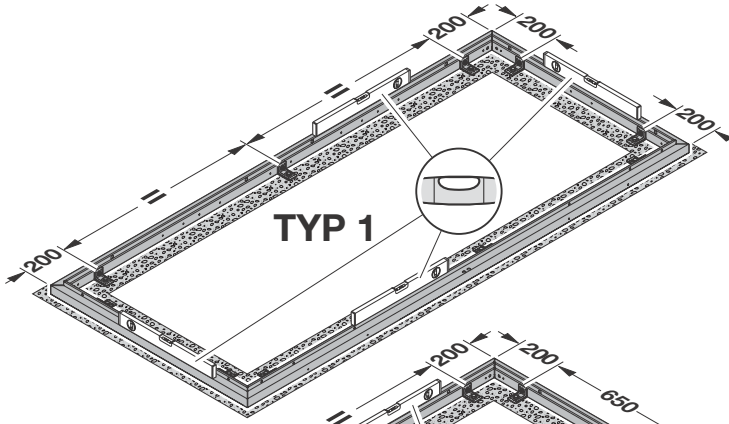
$a = b$



1

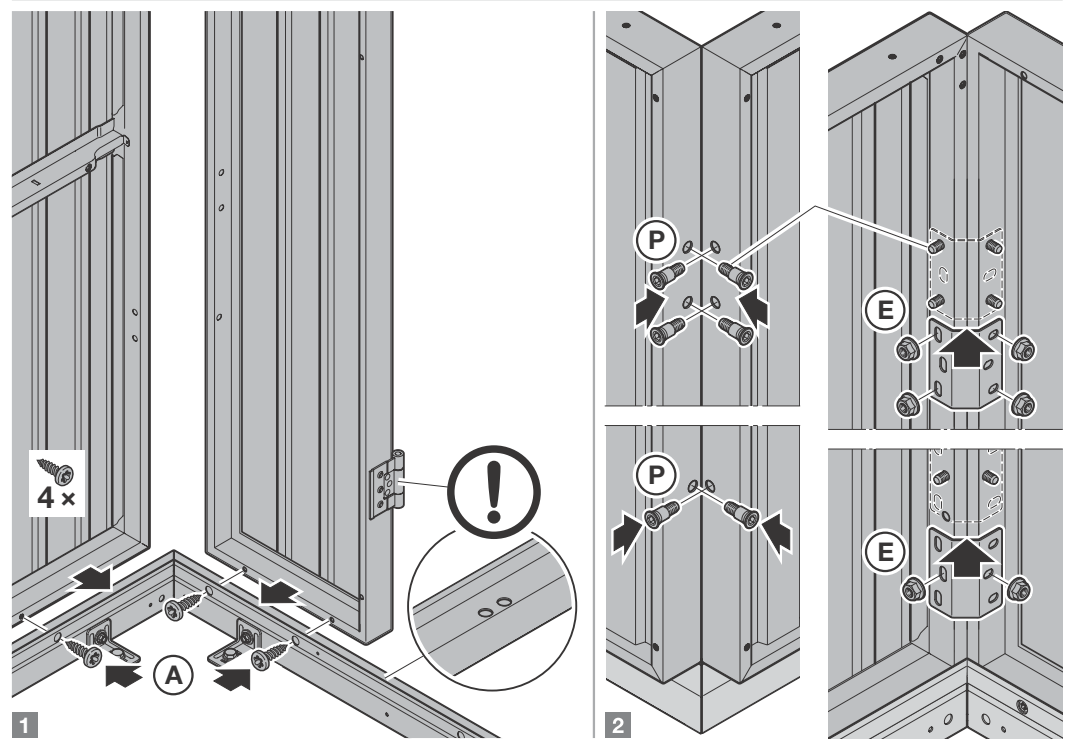
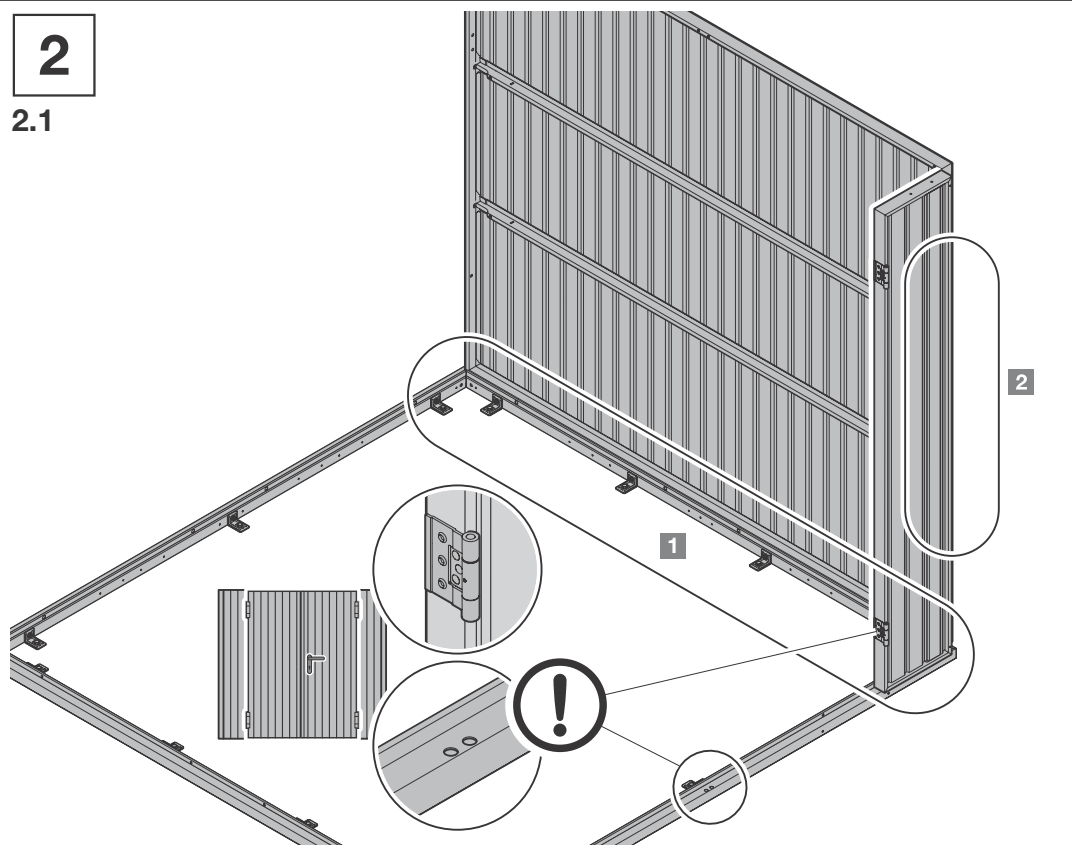


2

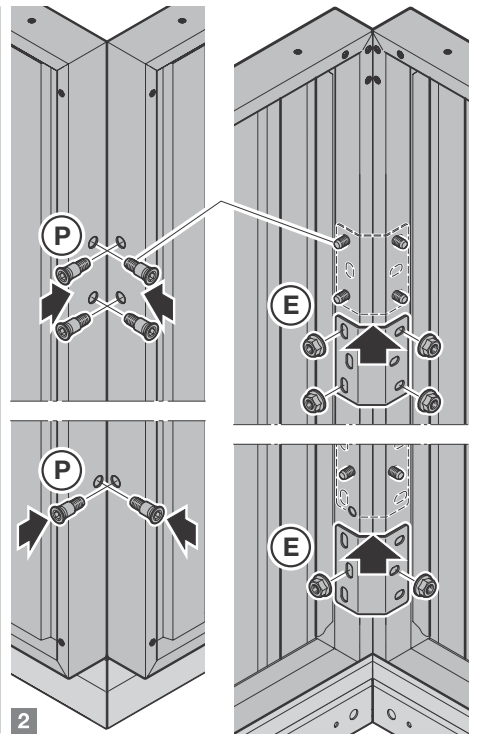
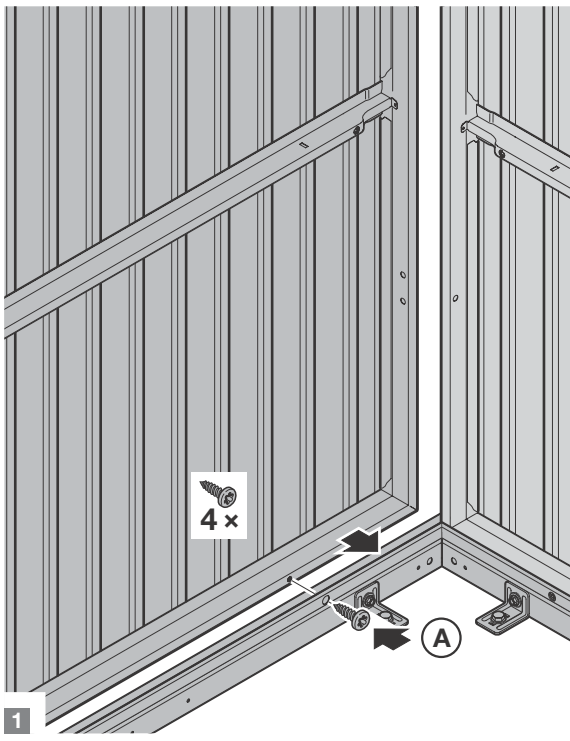
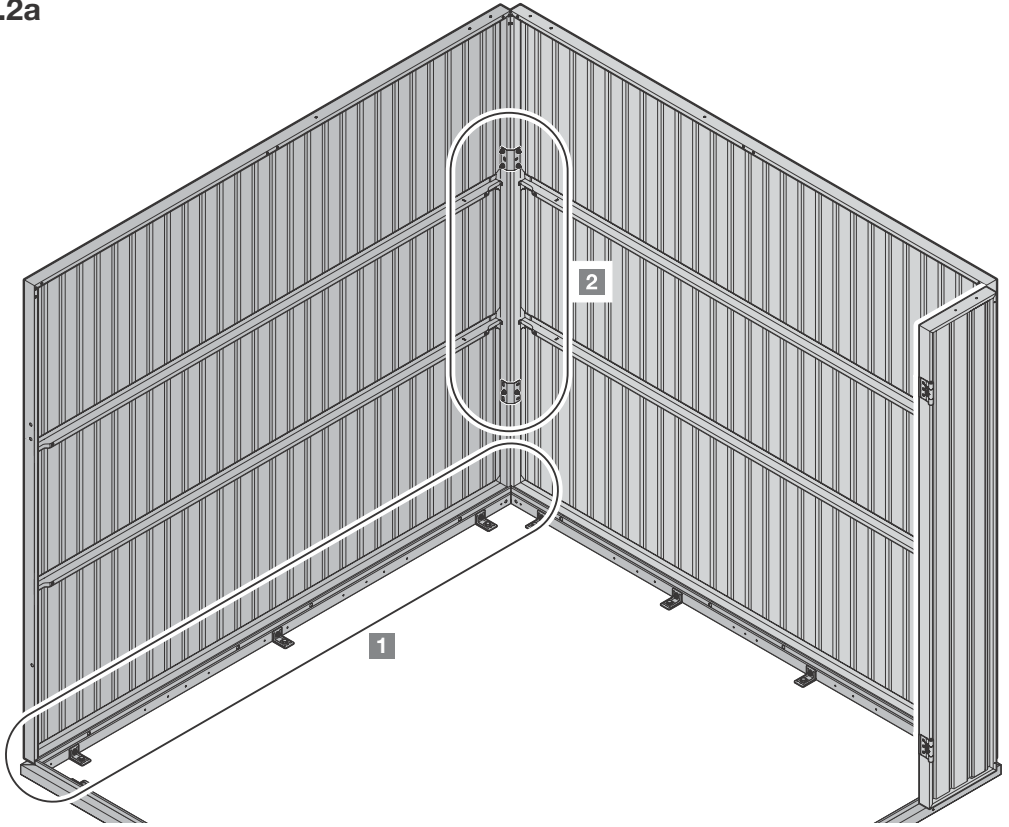


2

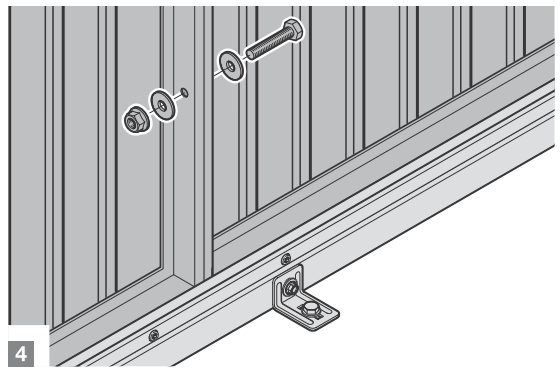
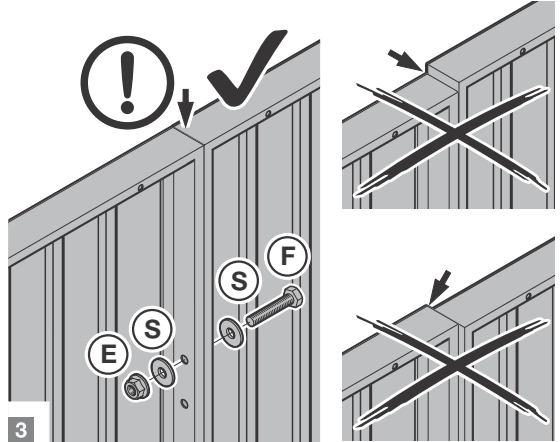
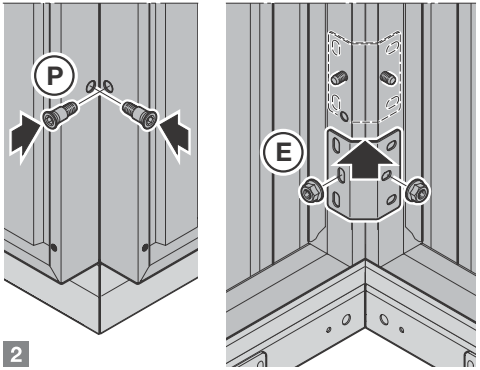
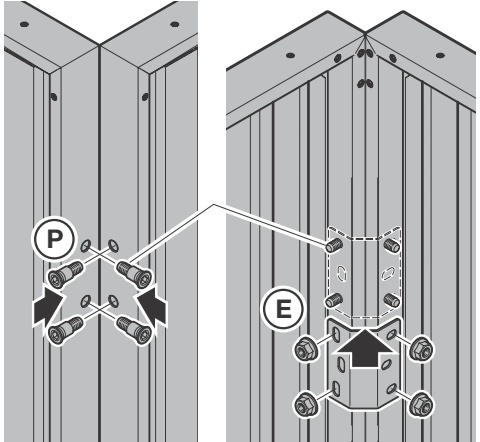
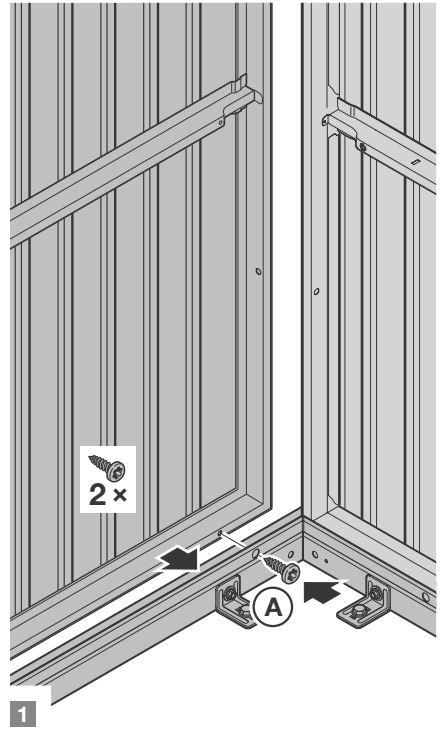
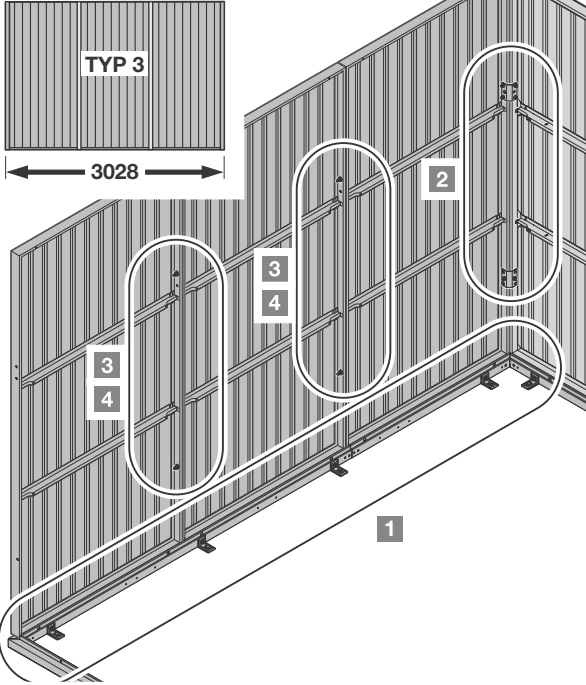
2.1



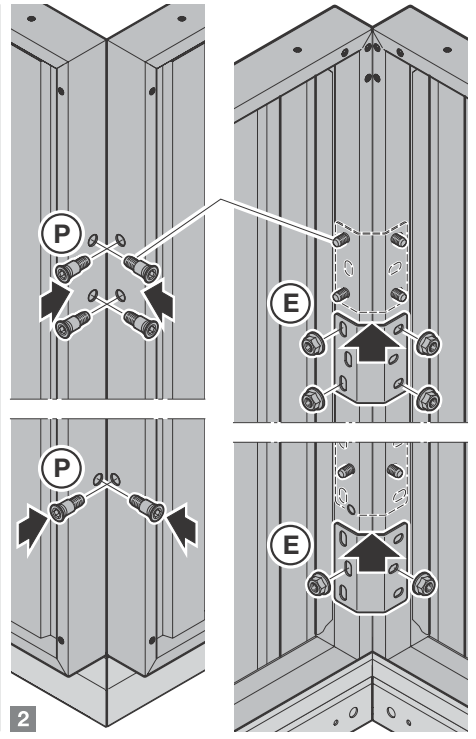
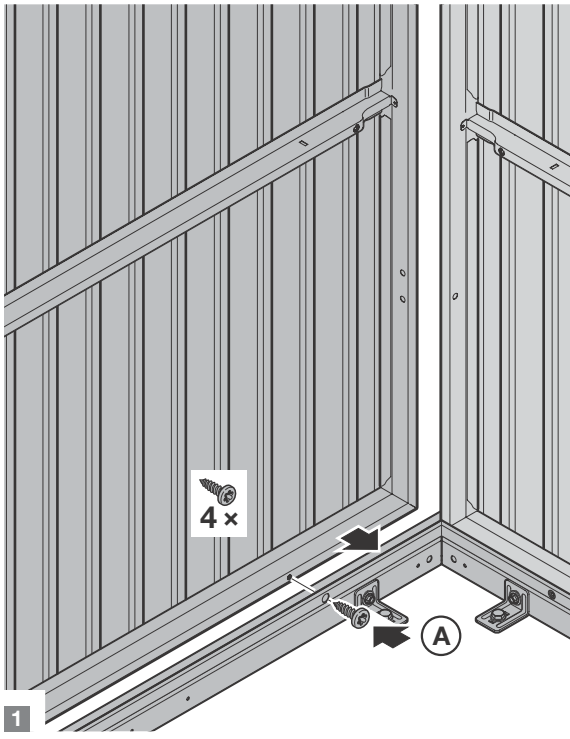
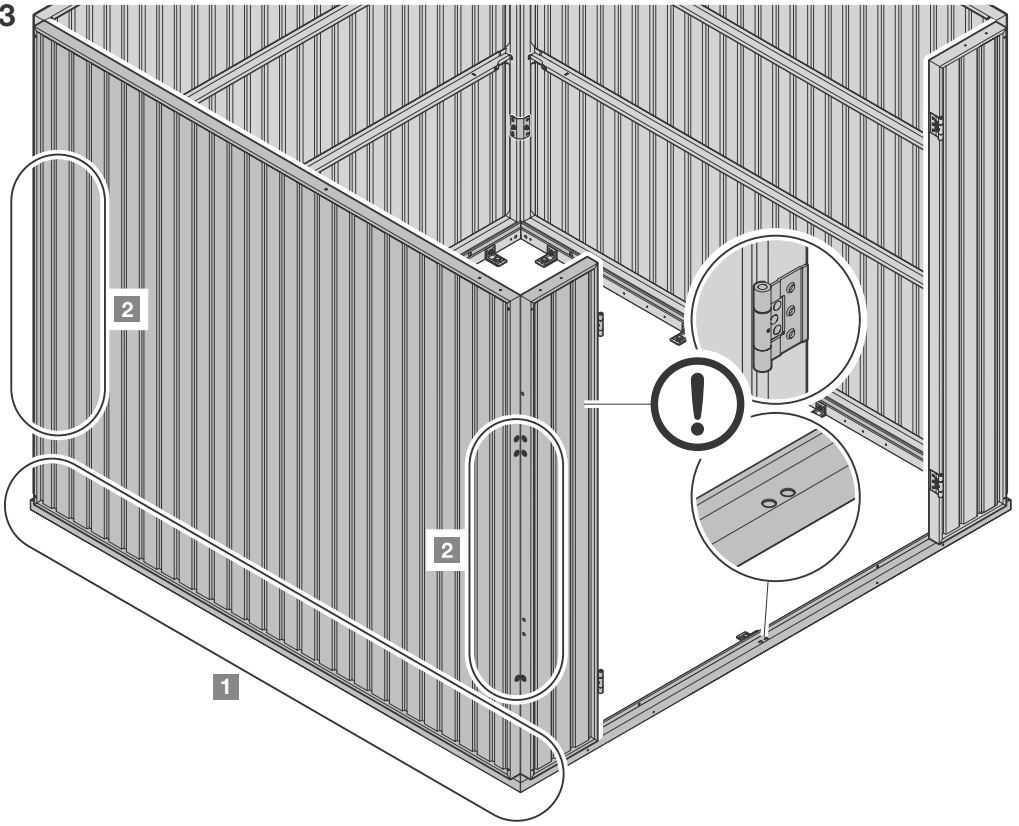
2.2a



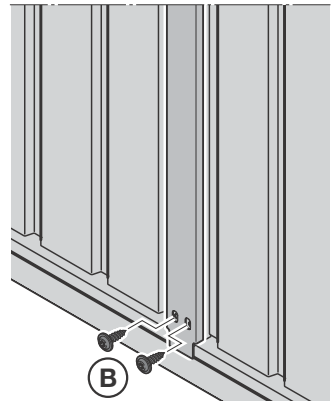
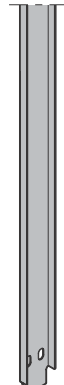
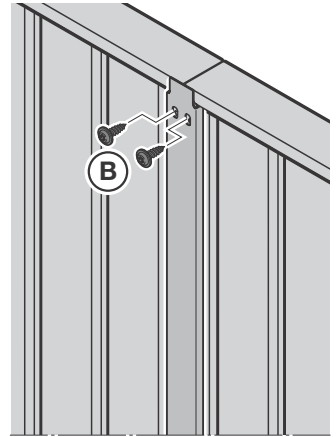
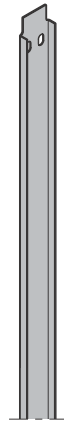
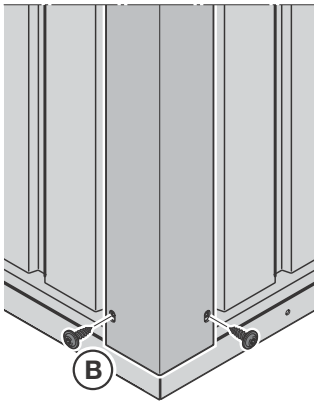
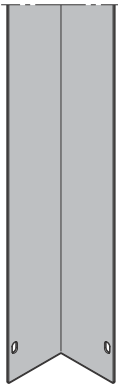
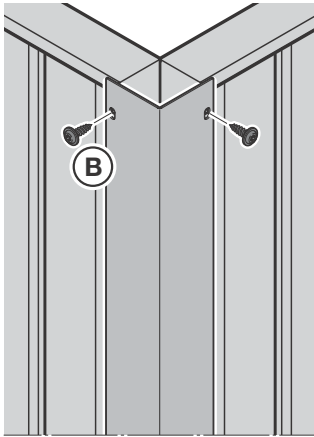
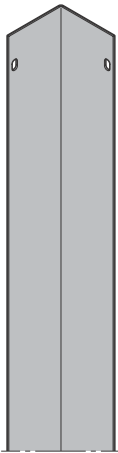
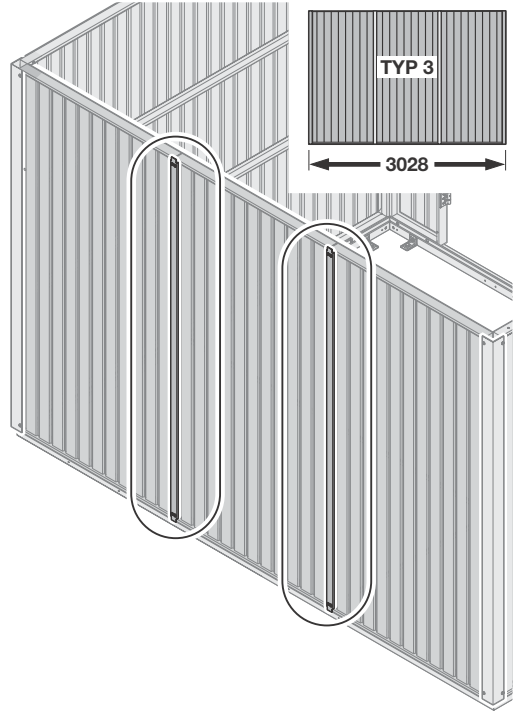
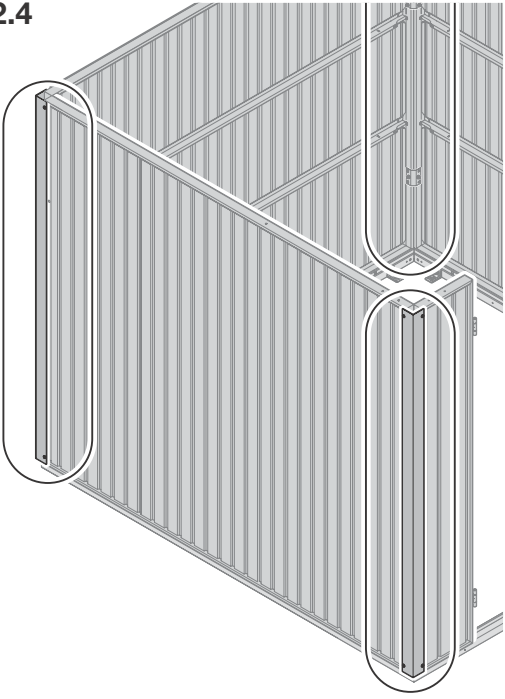
2.2b

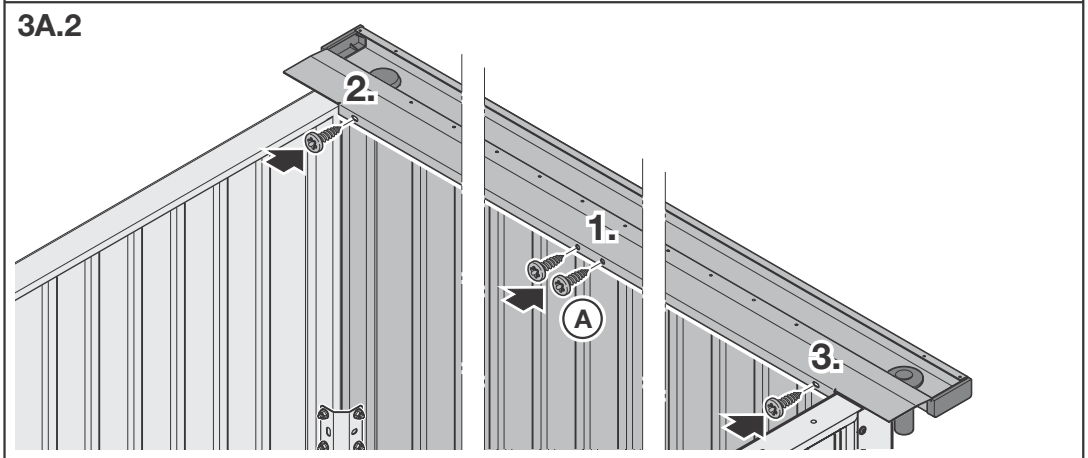
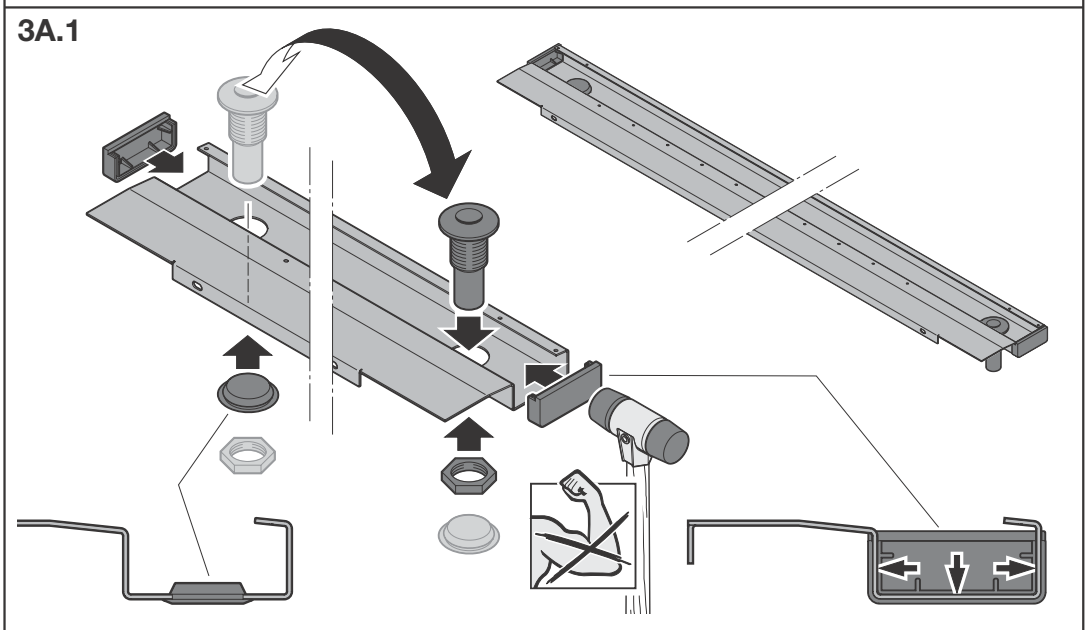
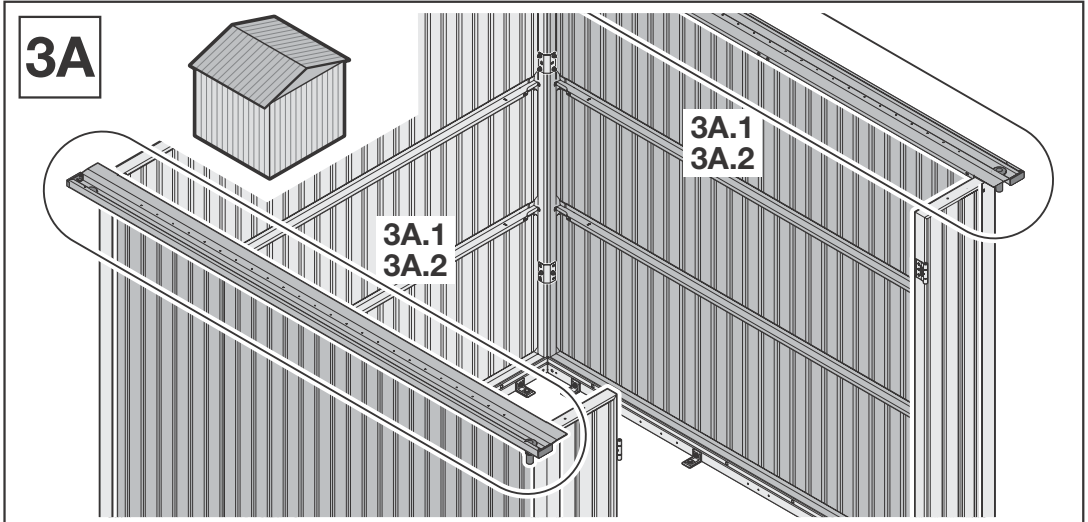


2.3



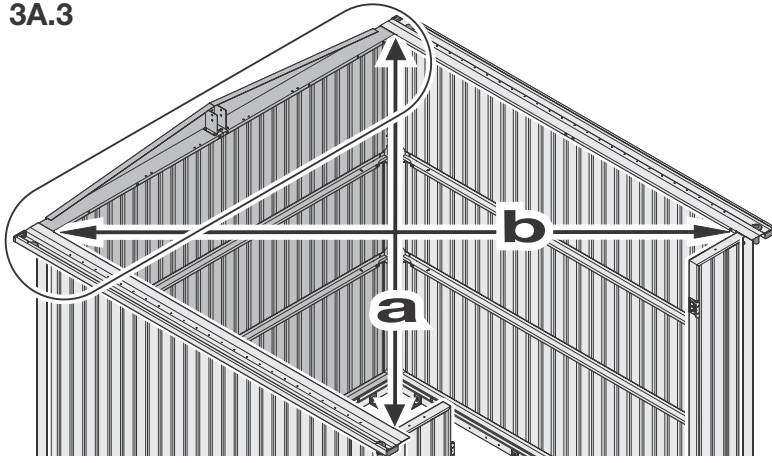
2.4



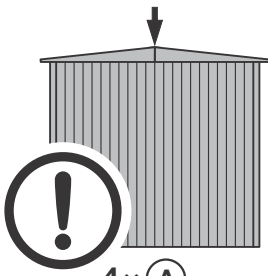
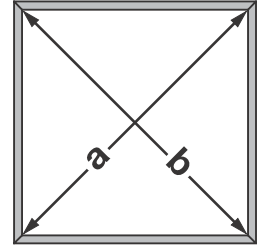




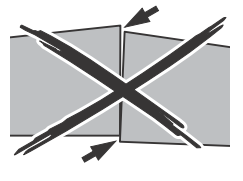
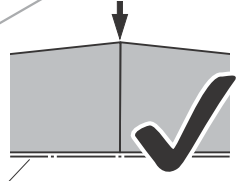
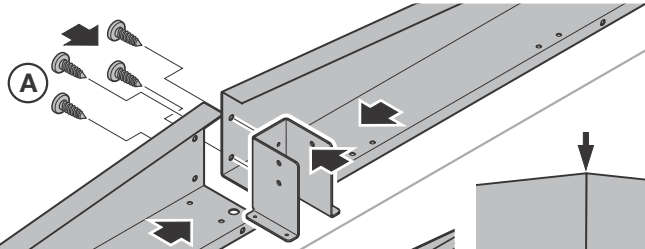
3A.3



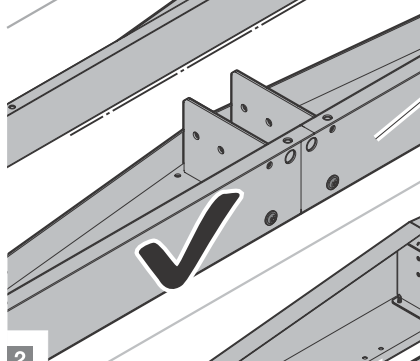
$a = b$



4 x (A)  
2 x (B)

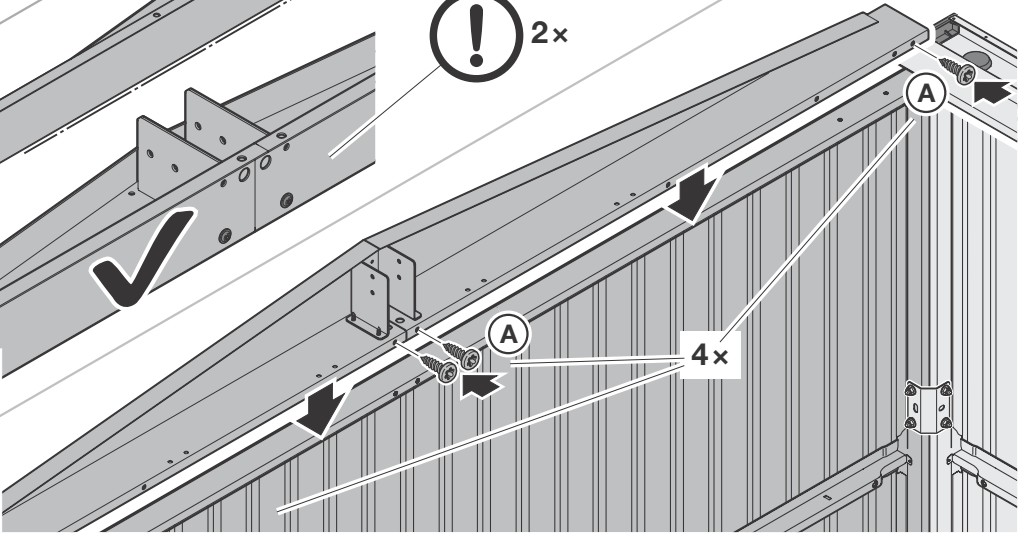


2x



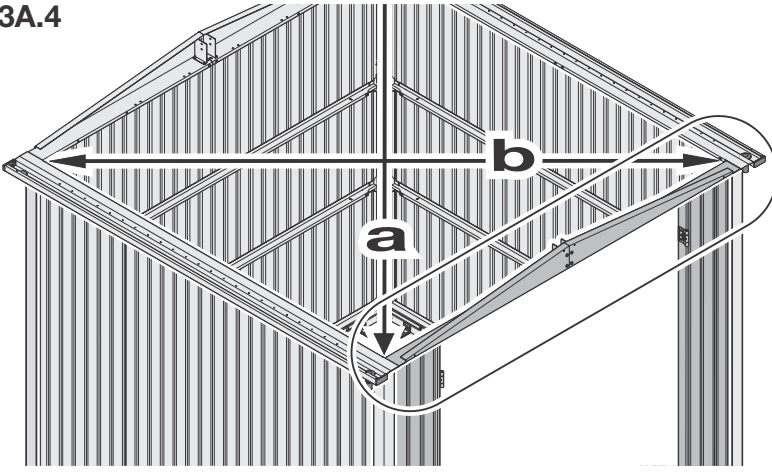
2

3

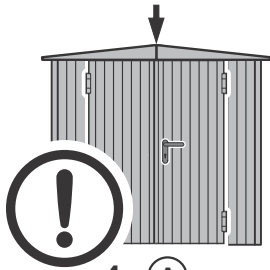
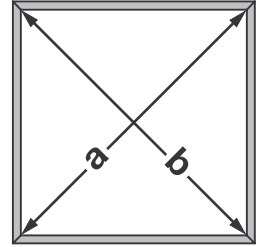


4x

3A.4

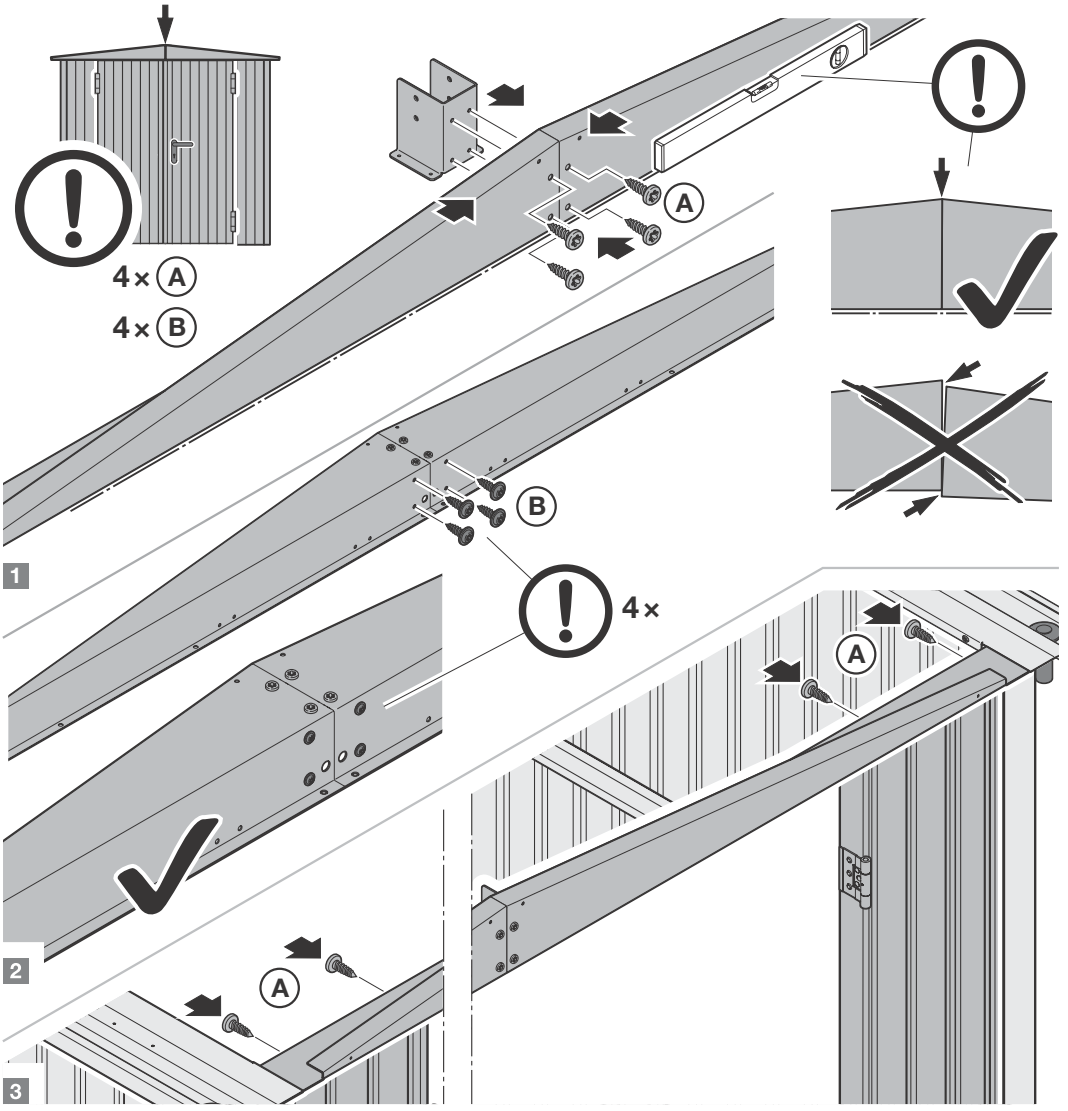


$a = b$

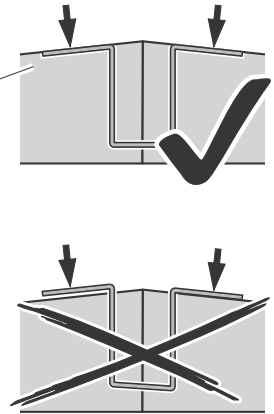
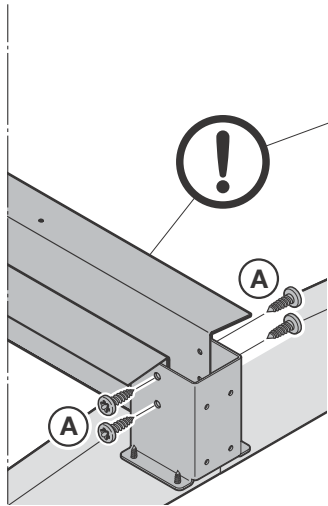
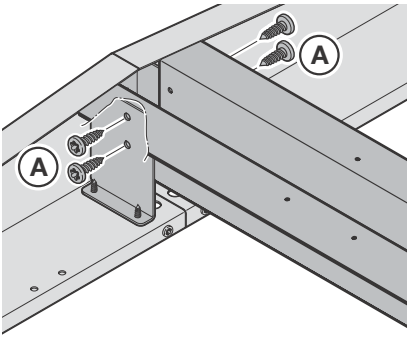
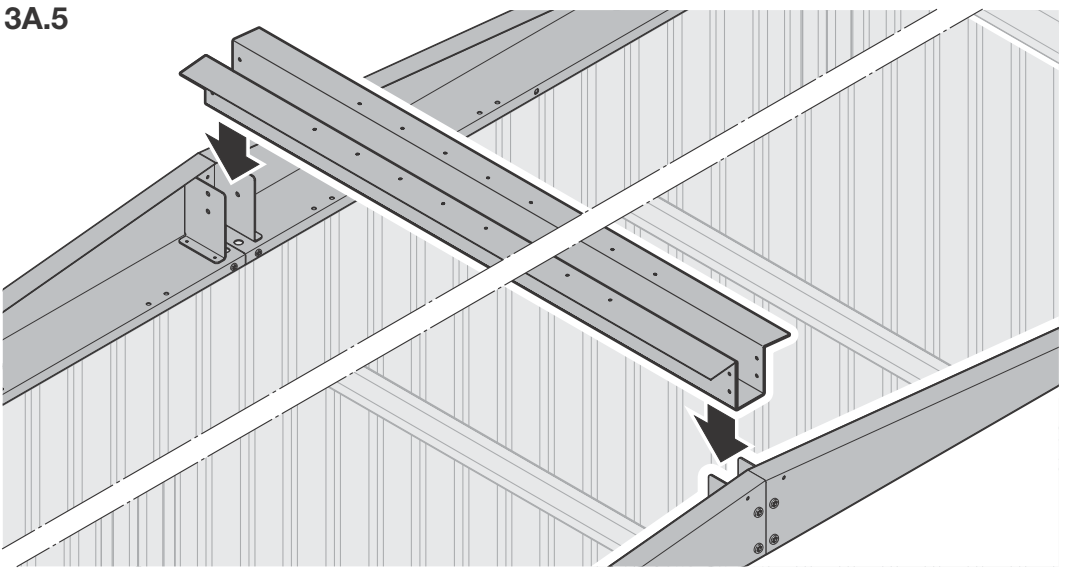


4x (A)

4x (B)



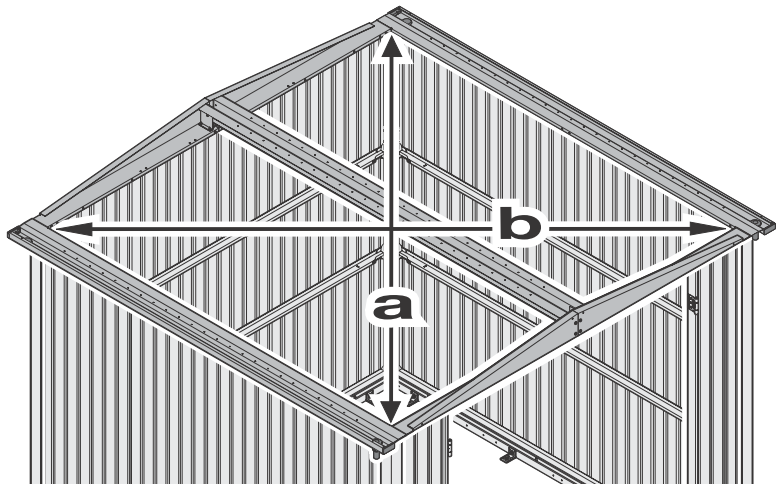
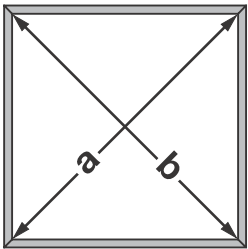
3A.5



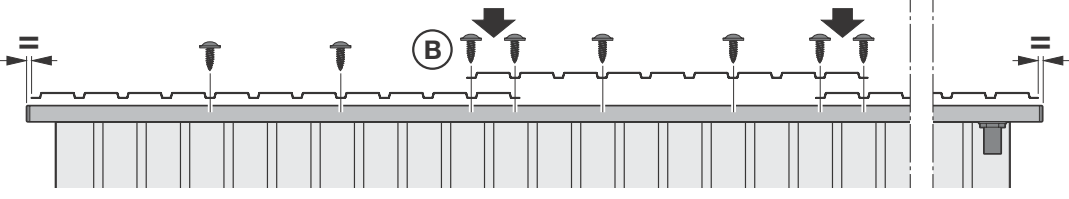
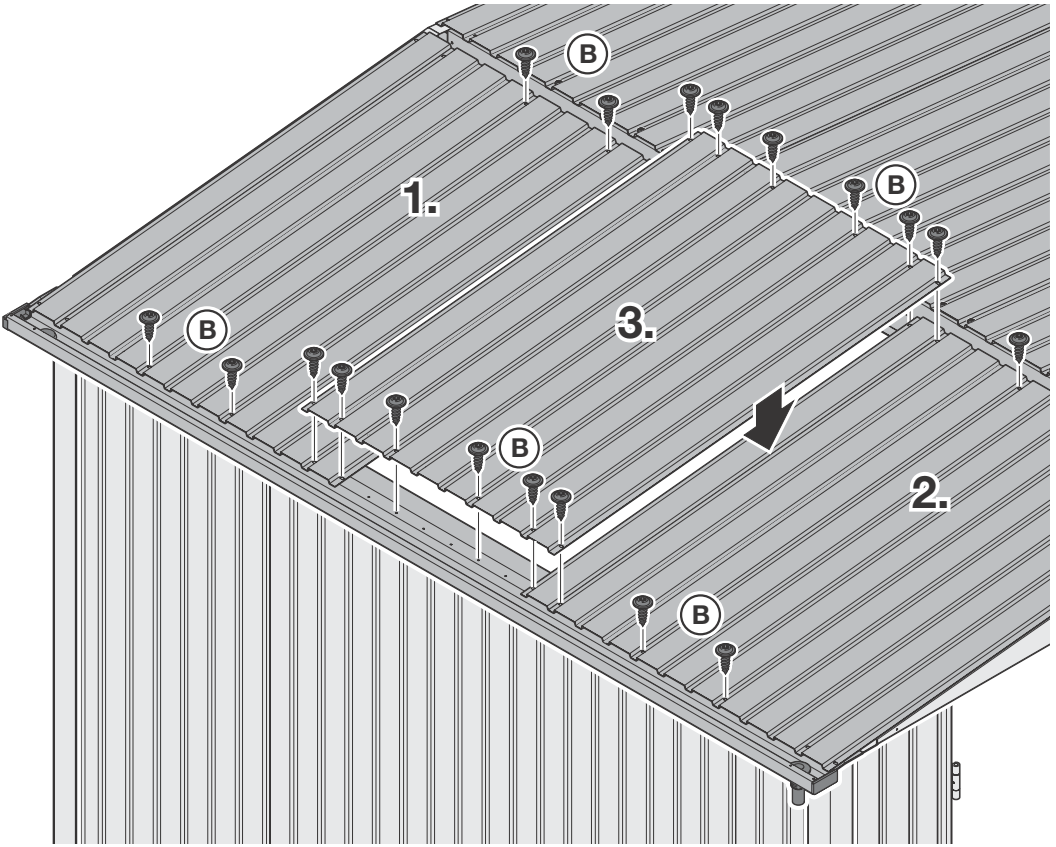
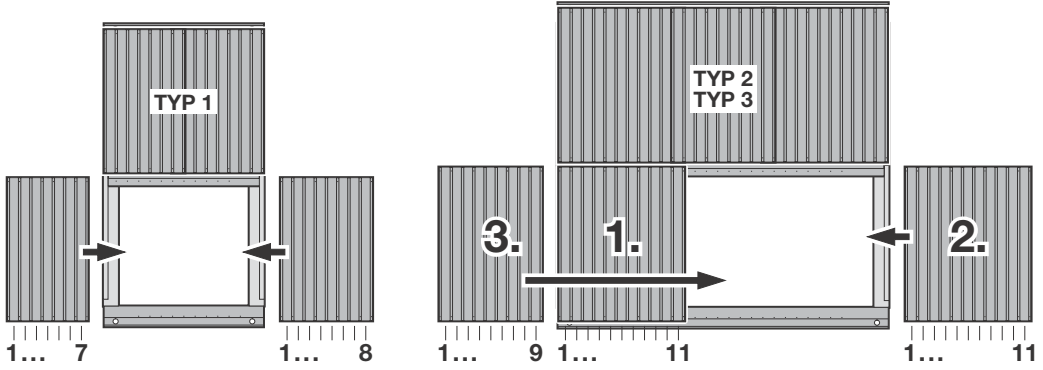
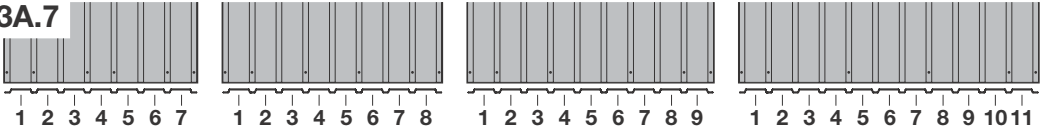
3A.6



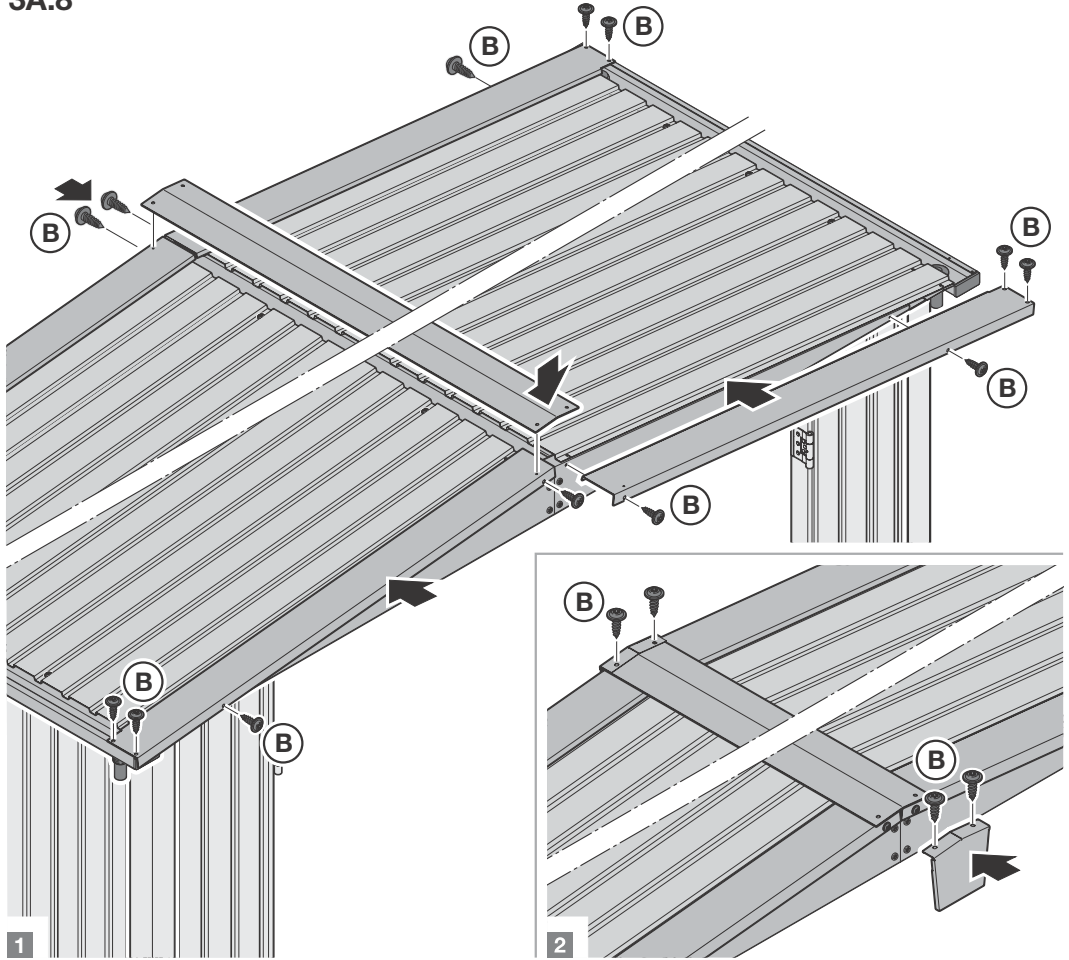
$a = b$



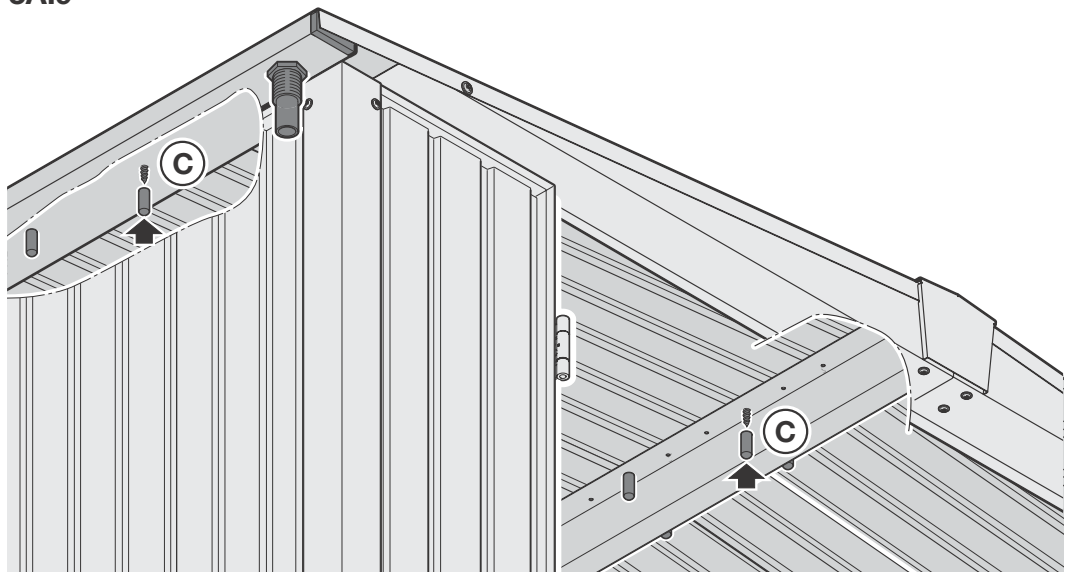
**3A.7**



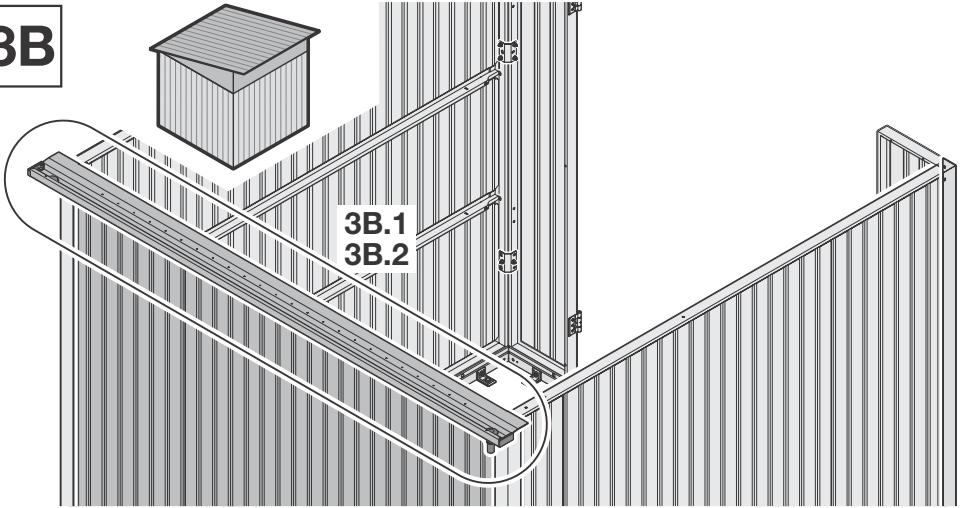
3A.8



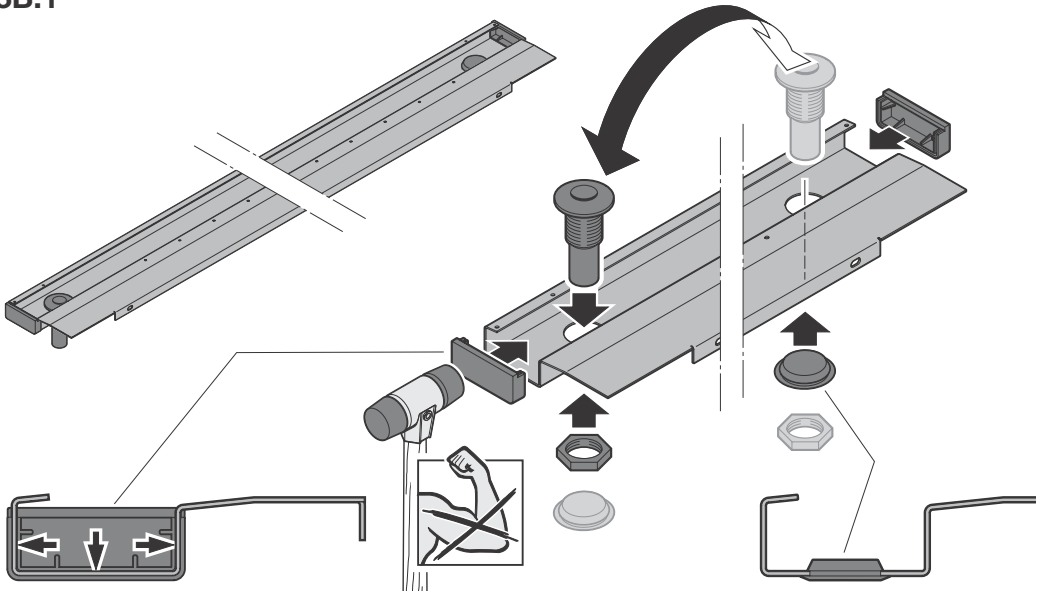
3A.9



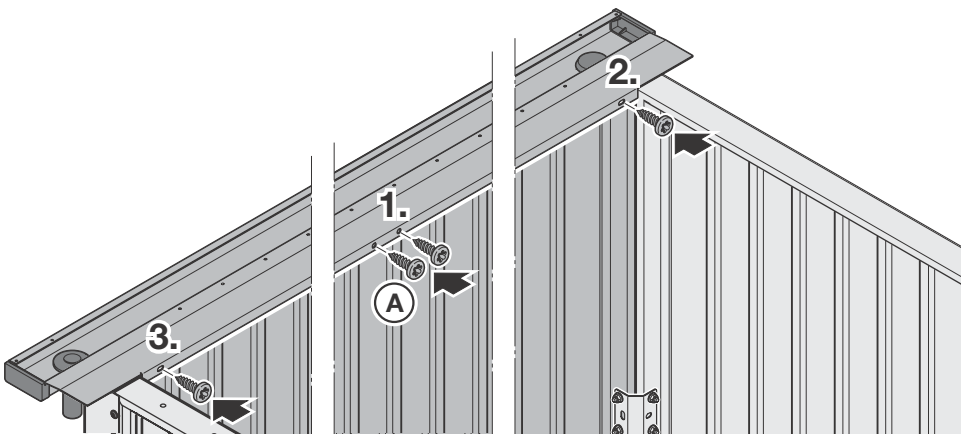
**3B**

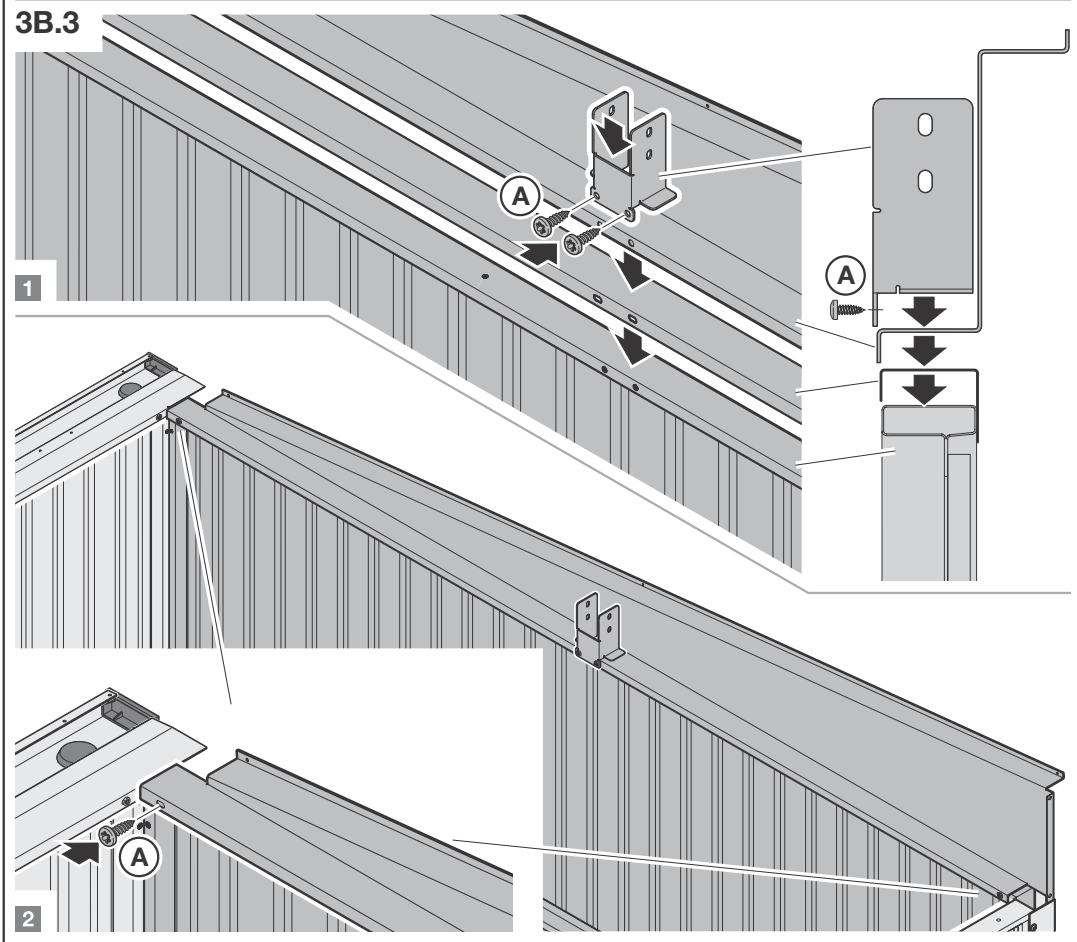
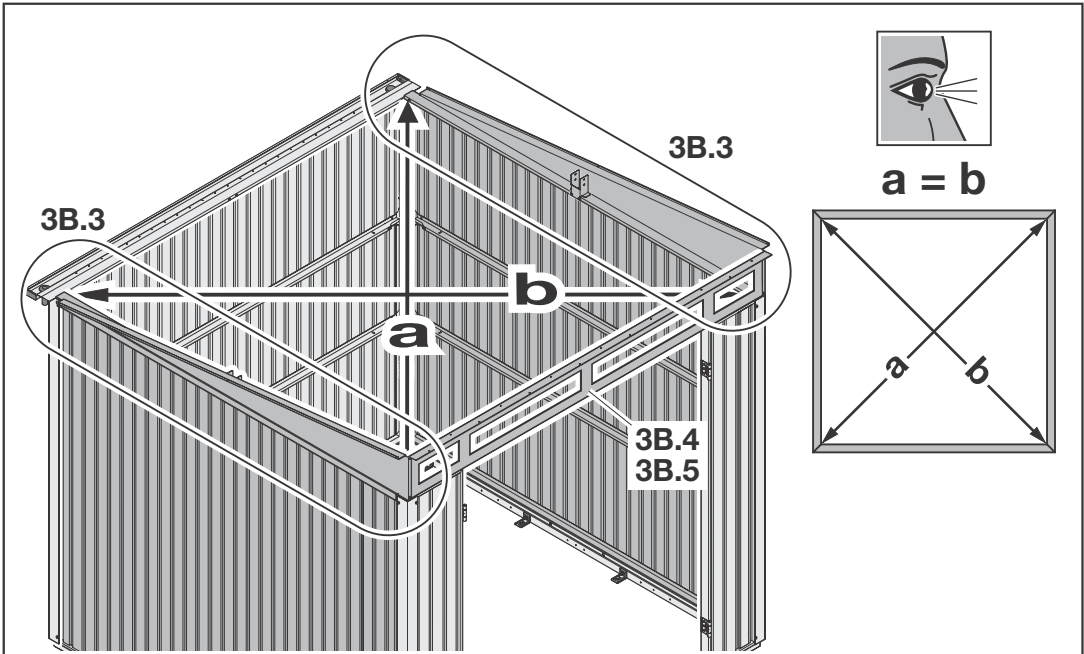


**3B.1**

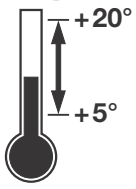


**3B.2**

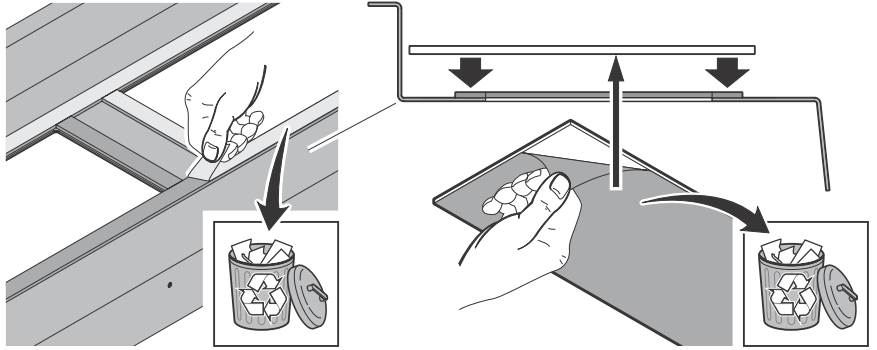




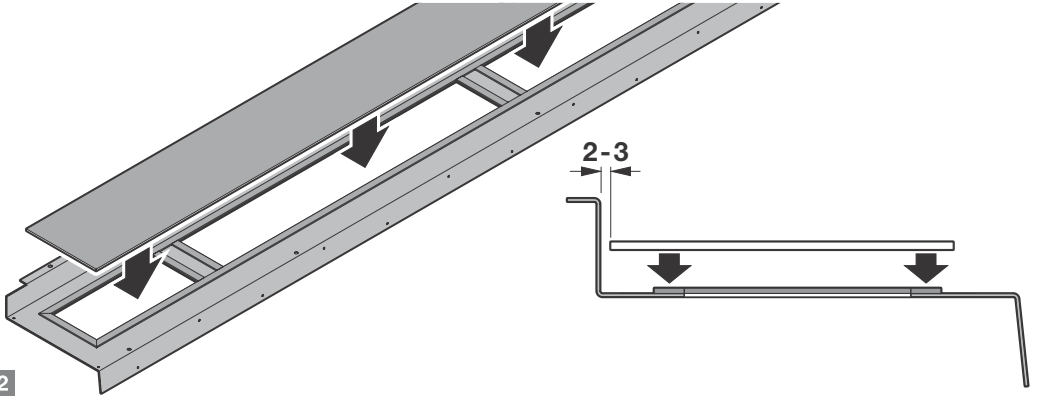
### 3B.4



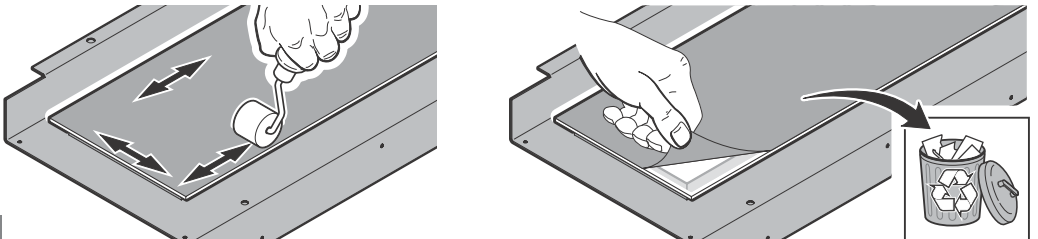
1



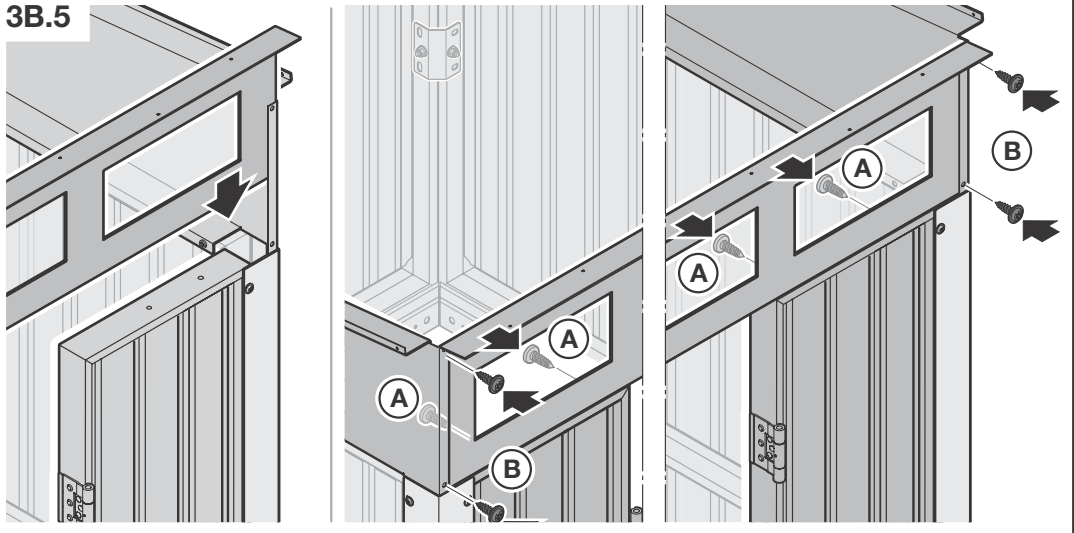
2



3

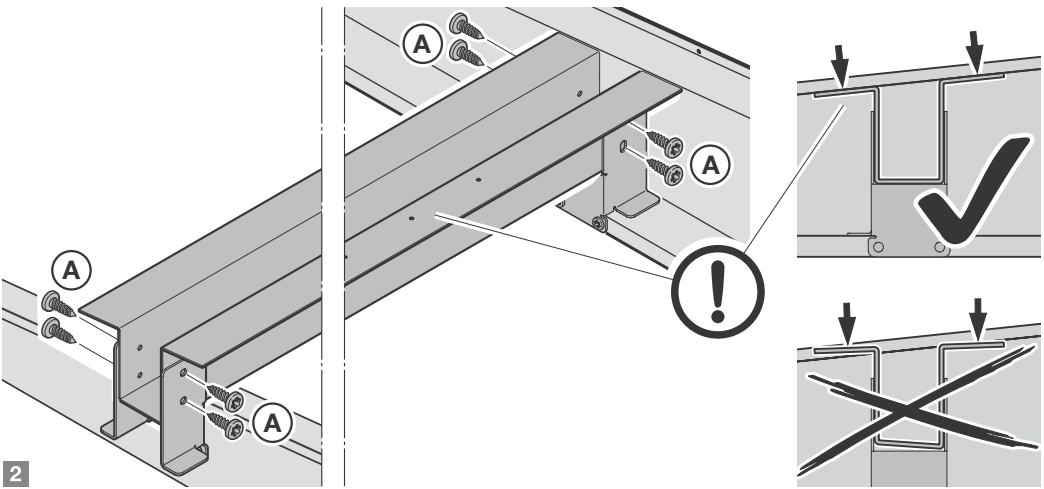
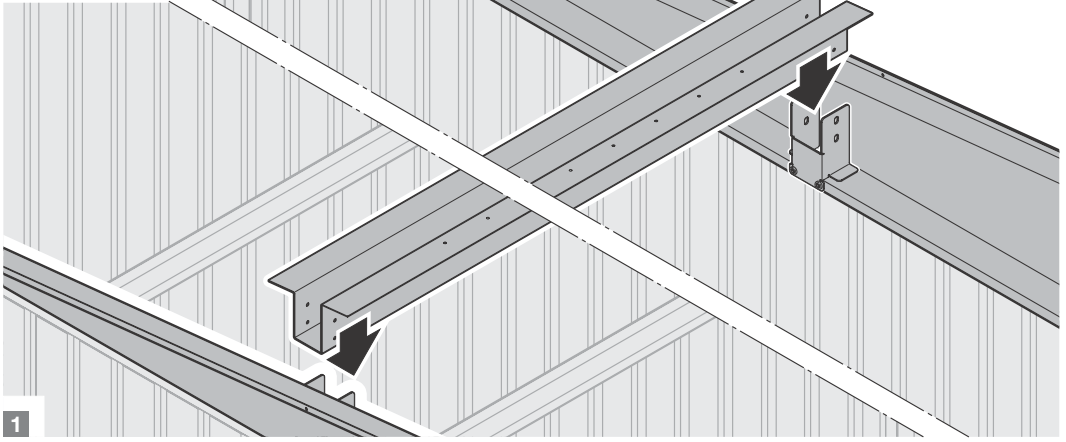


### 3B.5

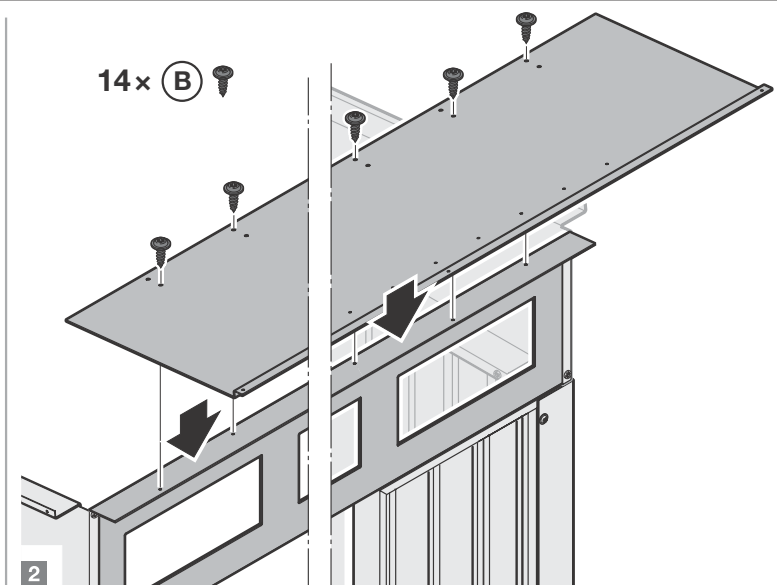
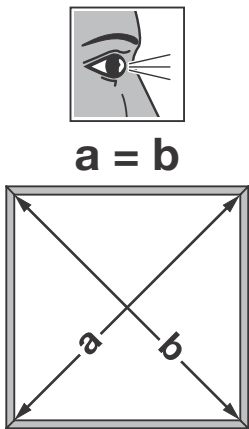




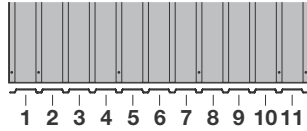
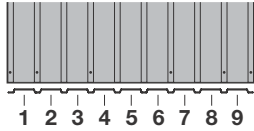
### 3B.6



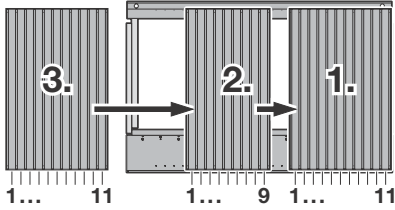
### 3B.7



**3B.8**

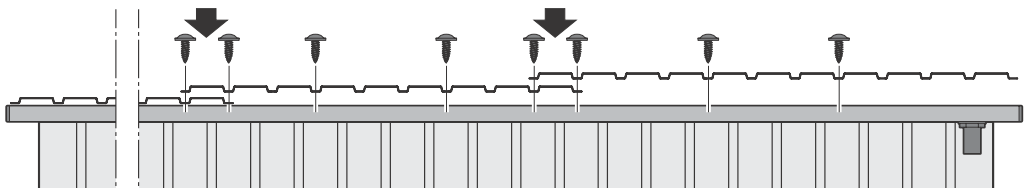
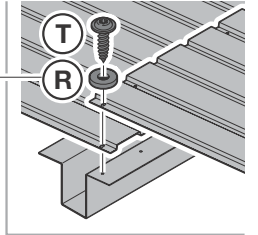
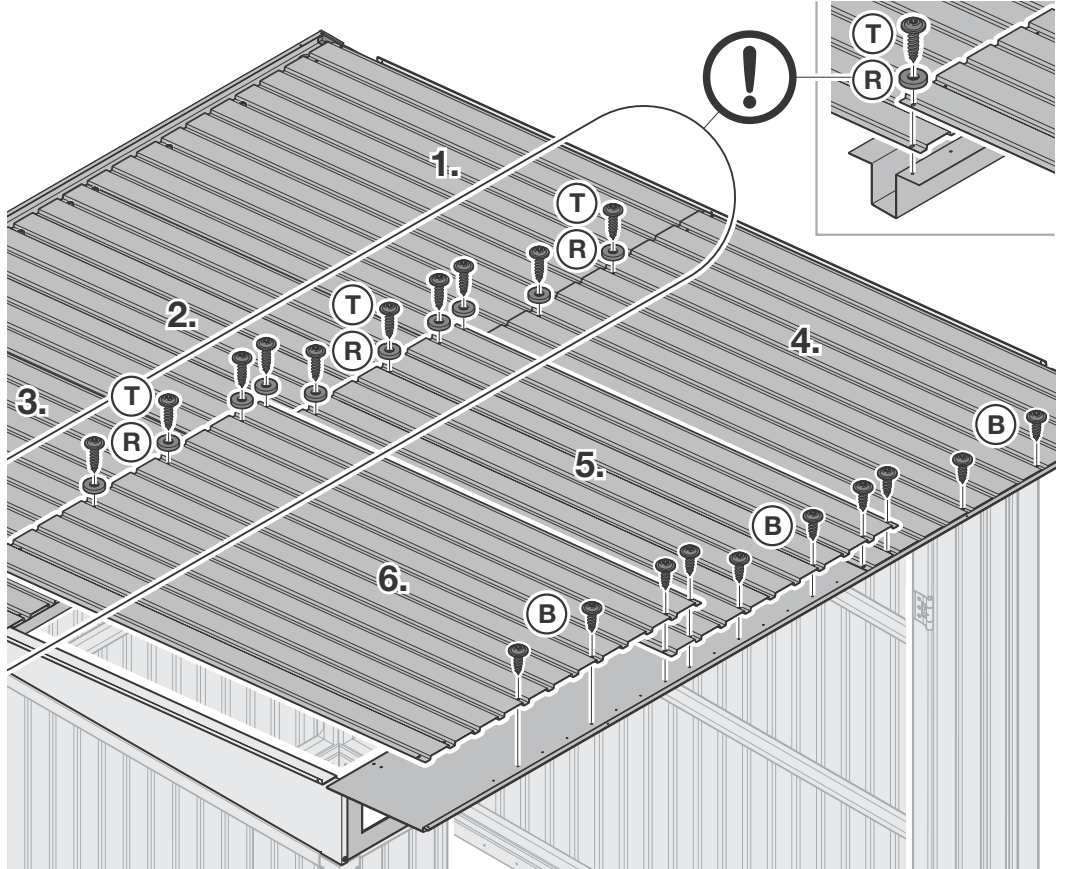
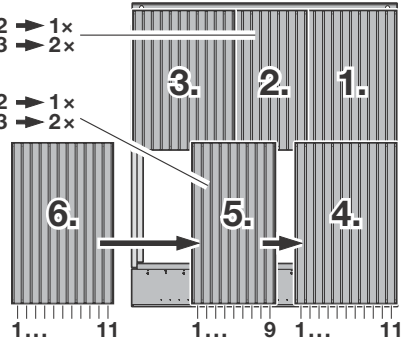


**TYP 1**

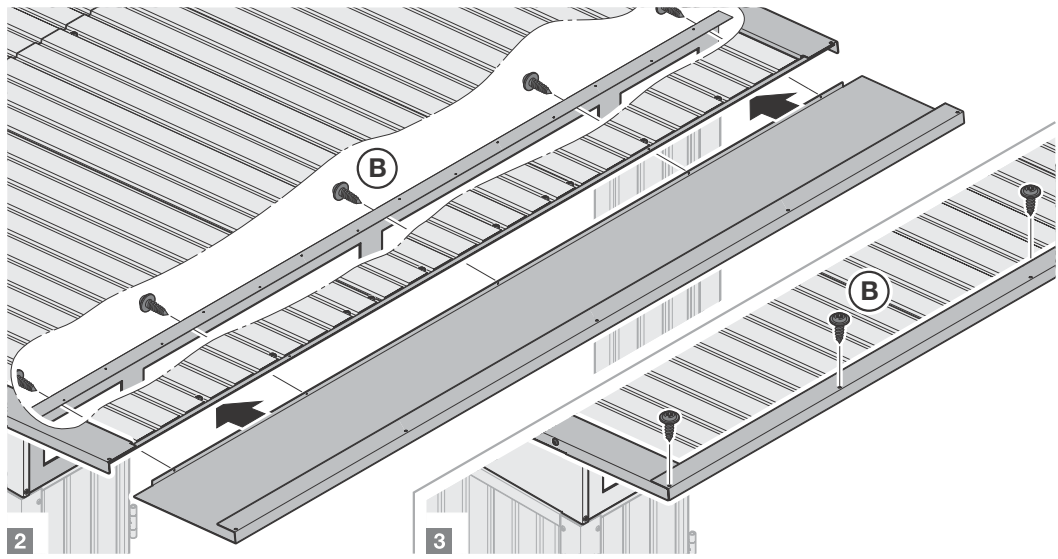
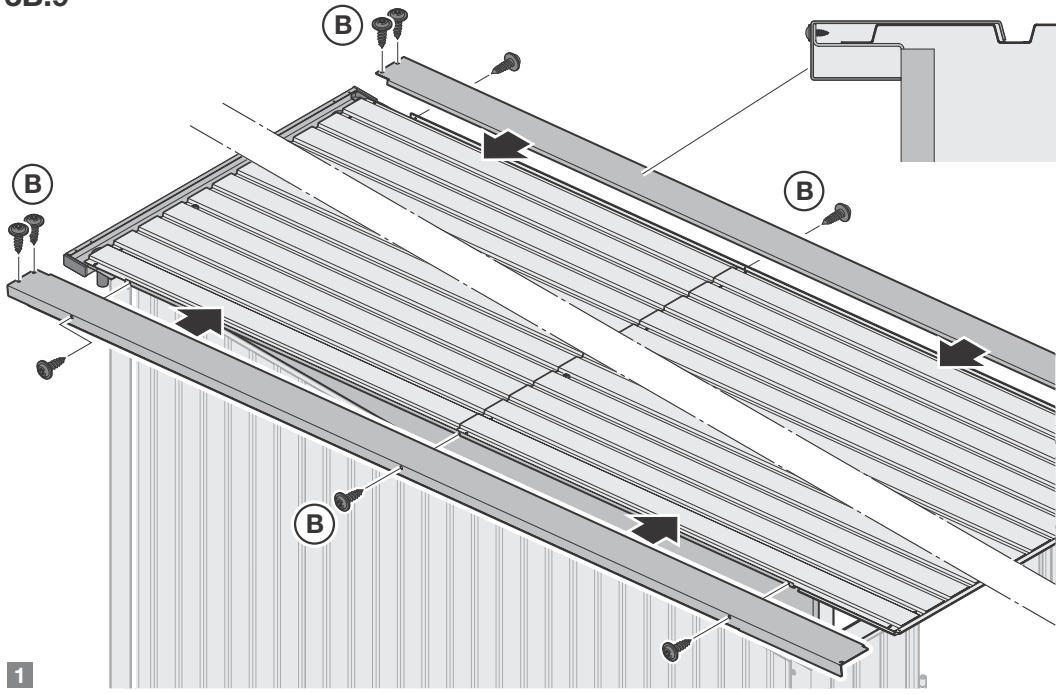


TYP 2 → 1x  
TYP 3 → 2x

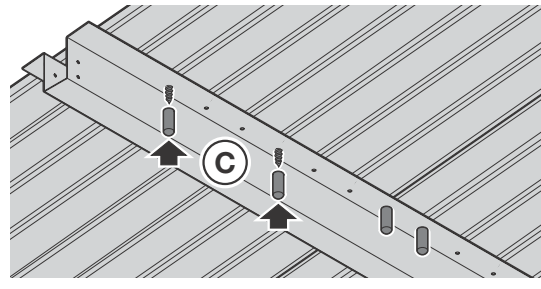
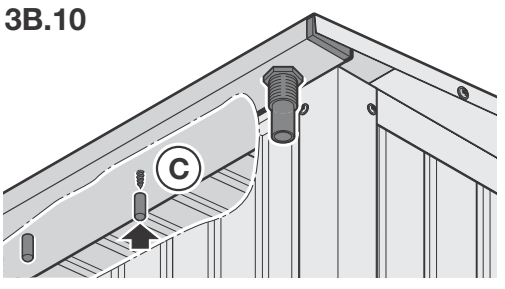
TYP 2 → 1x  
TYP 3 → 2x

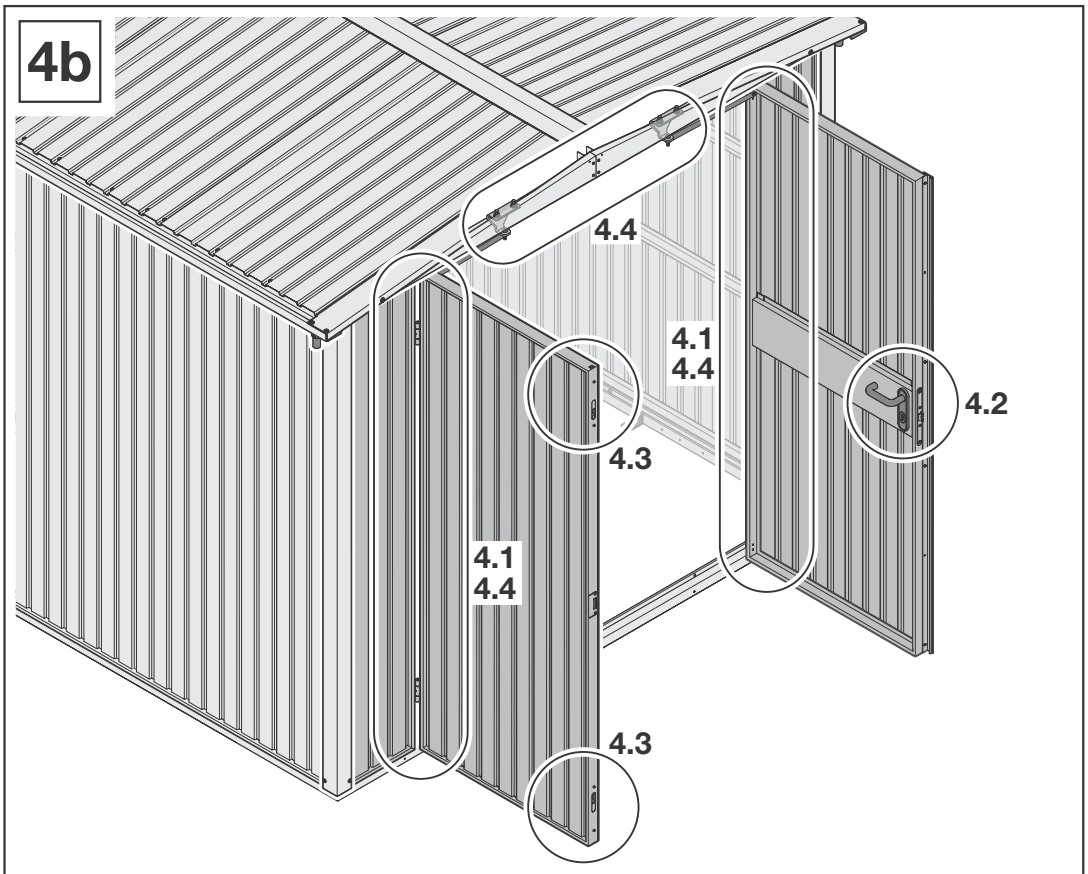
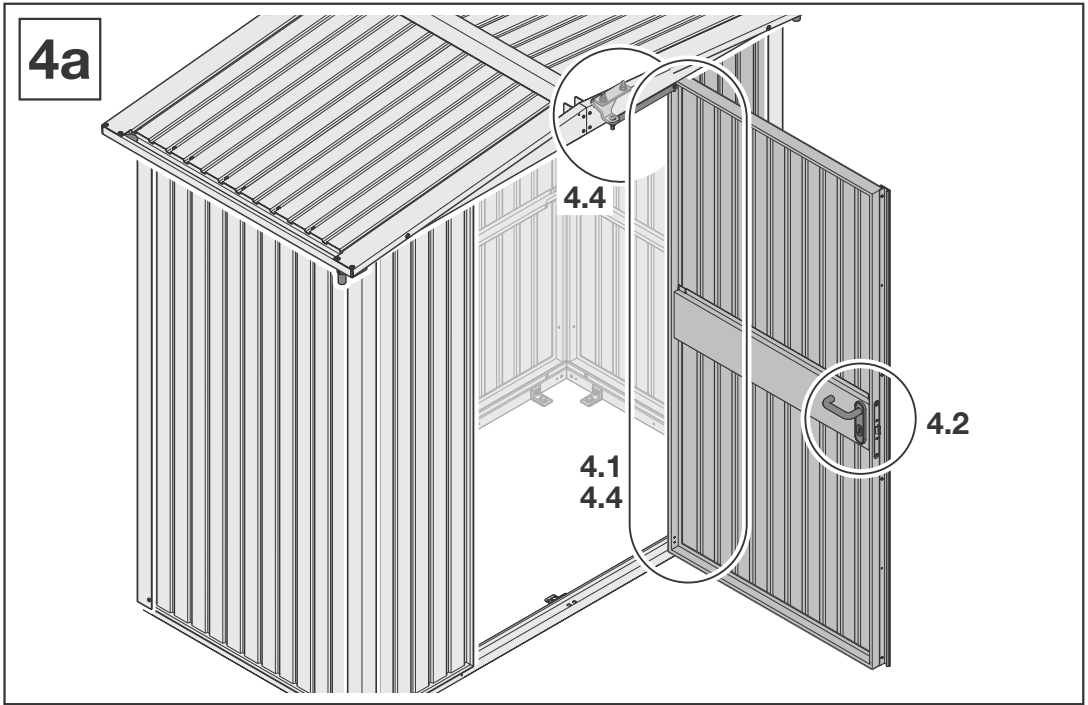


3B.9

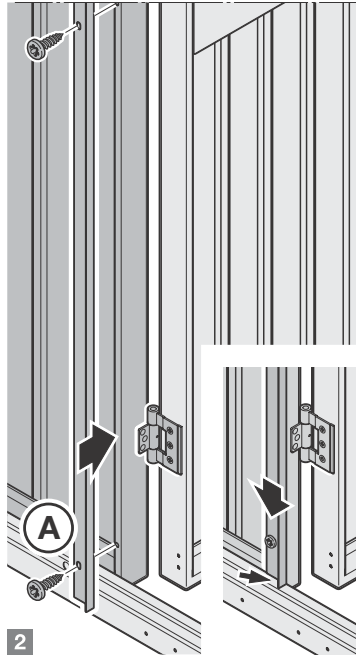
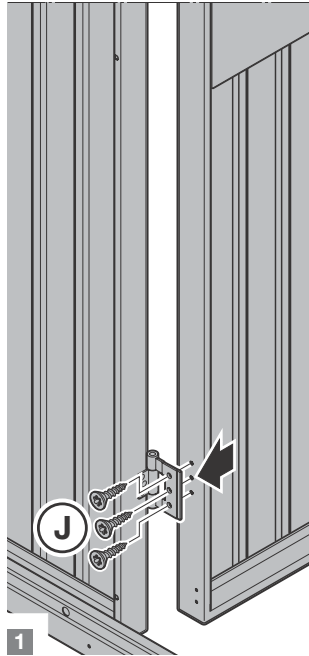
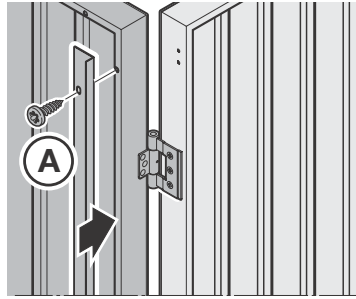
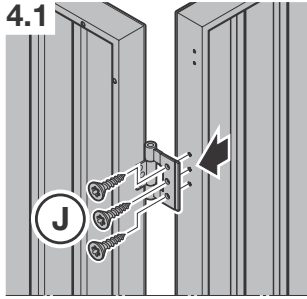


3B.10



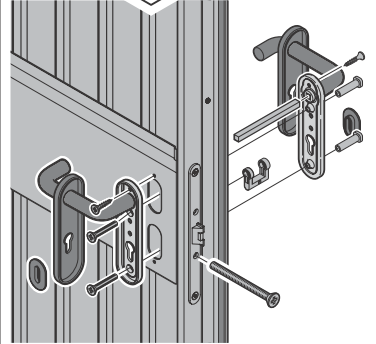


4.1

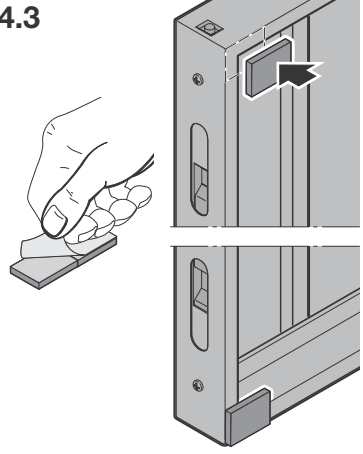


4.2

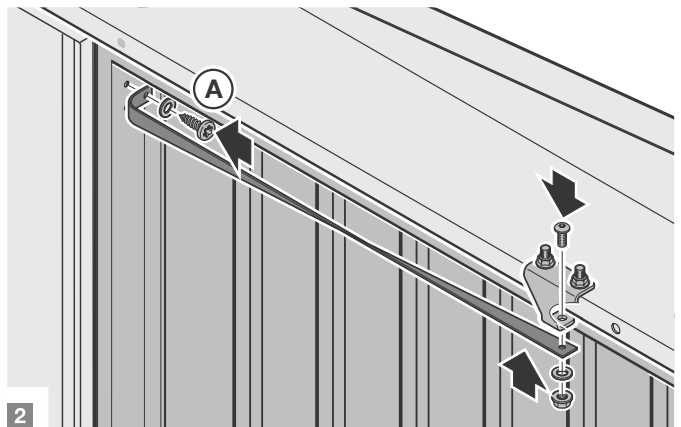
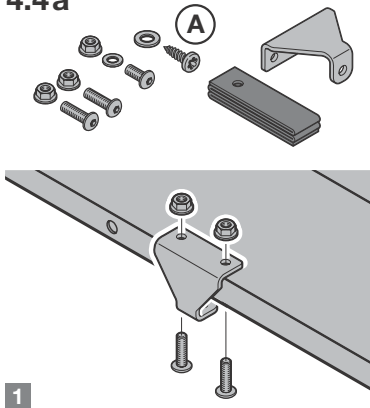
1327 100



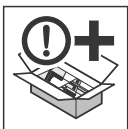
4.3



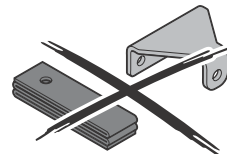
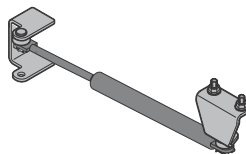
4.4a



4.4b



1342 346



## Contact information

Austria



Belgium



Croatia



Denmark



Estonia



Finland



France



Germany



Ireland



Italy



Latvia



Lithuania



Nederland



Norway



Poland



Portugal



Spain



Sweden



Switzerland



UK

