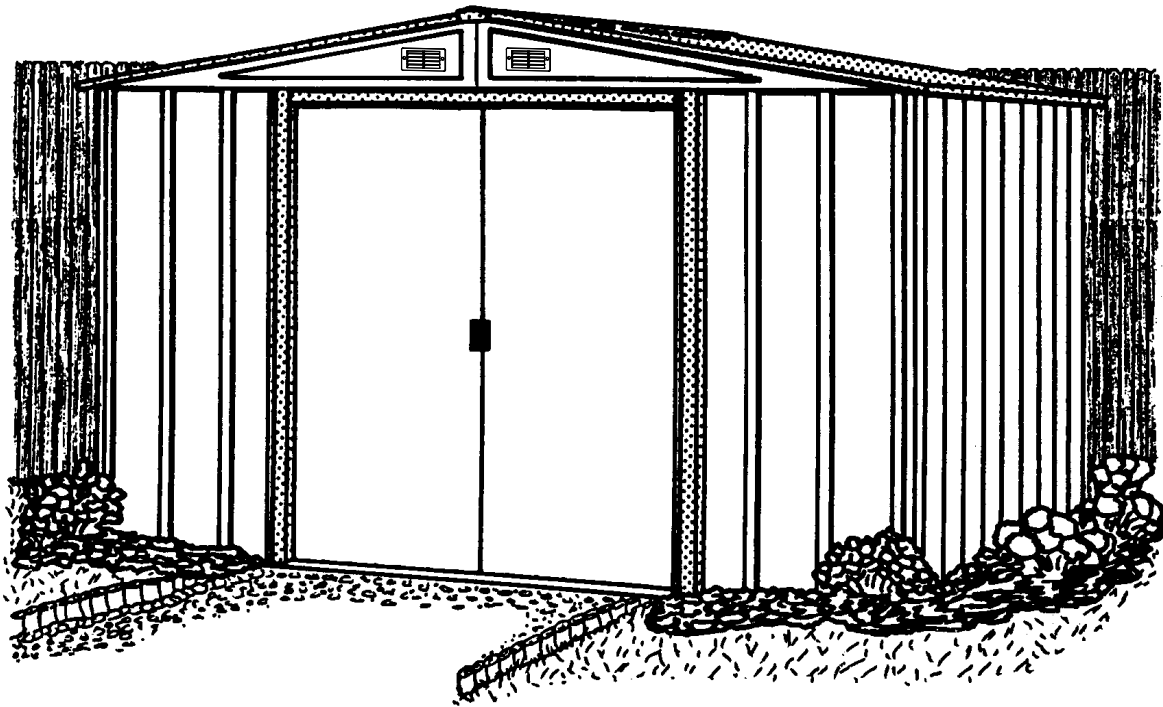


Owner's Manual & Assembly Instructions

IW01



Model No. RGB88ONEU
 RGB88FGEU



728130319

Storage Area: 59 Sq. Ft. 369 Cu. Ft.
 5,5 m² 10,5 m³



CAUTION: SOME PARTS HAVE SHARP EDGES. CARE MUST BE TAKEN WHEN HANDLING THE VARIOUS PIECES TO AVOID A MISHAP. FOR SAFETY SAKE, PLEASE READ SAFETY INFORMATION PROVIDED IN THIS MANUAL BEFORE BEGINNING CONSTRUCTION. WEAR GLOVES WHEN HANDLING METAL PARTS.

BUILDING DIMENSIONS * Size rounded off to the nearest foot

*Approx. Size	Base Size	Exterior Dimensions (Roof Edge to Roof Edge)			Interior Dimensions (Wall to Wall)			Door Opening	
		Width	Depth	Height	Width	Depth	Height	Width	Height
8' x 8'	97 1/2" x 92 3/4"	99 3/4"	95 1/4"	79 1/8"	94 3/4"	90"	77 7/8"	43 1/2"	69 1/4"
2,4m x 2,4m	247,7 cm x 235,6 cm	253,4 cm	241,9 cm	201,0 cm	240,7 cm	228,6 cm	197,8 cm	110,5 cm	175,9 cm

BEFORE YOU BEGIN...

HS02a

Owner's Manual

Before beginning construction, check local building codes regarding footings, location and other requirements. Study and understand this owner's manual.

Important information and helpful tips will make your construction easier and more enjoyable.

Assembly Instructions: Instructions are supplied in this manual and contain all appropriate information for your building model. Review all instructions before you begin, and during assembly, follow the step sequence carefully for successful results.

Flooring and Anchoring: Your storage building must be anchored to prevent wind damage. A base is necessary to construct a square and level building. Anchoring and base materials are not included with your building. Your assembly instructions provide information on a few methods commonly used to secure and level a storage building.

Parts and Parts List: Check to be sure that you have all the necessary parts for your building.

- All part numbers can be found on the parts. All of these numbers (before the -) must agree with the numbers on the Parts List page.

- If you find that a part is missing, include the model number of your building and contact:

- Separate contents of the carton by the part number while reviewing parts list. The first few steps show how to join related parts to make larger sub assemblies which will be used later.

- Familiarize yourself with the hardware and fasteners for easier use during construction. These are packaged within the carton. Note that extra fasteners have been supplied for your convenience.

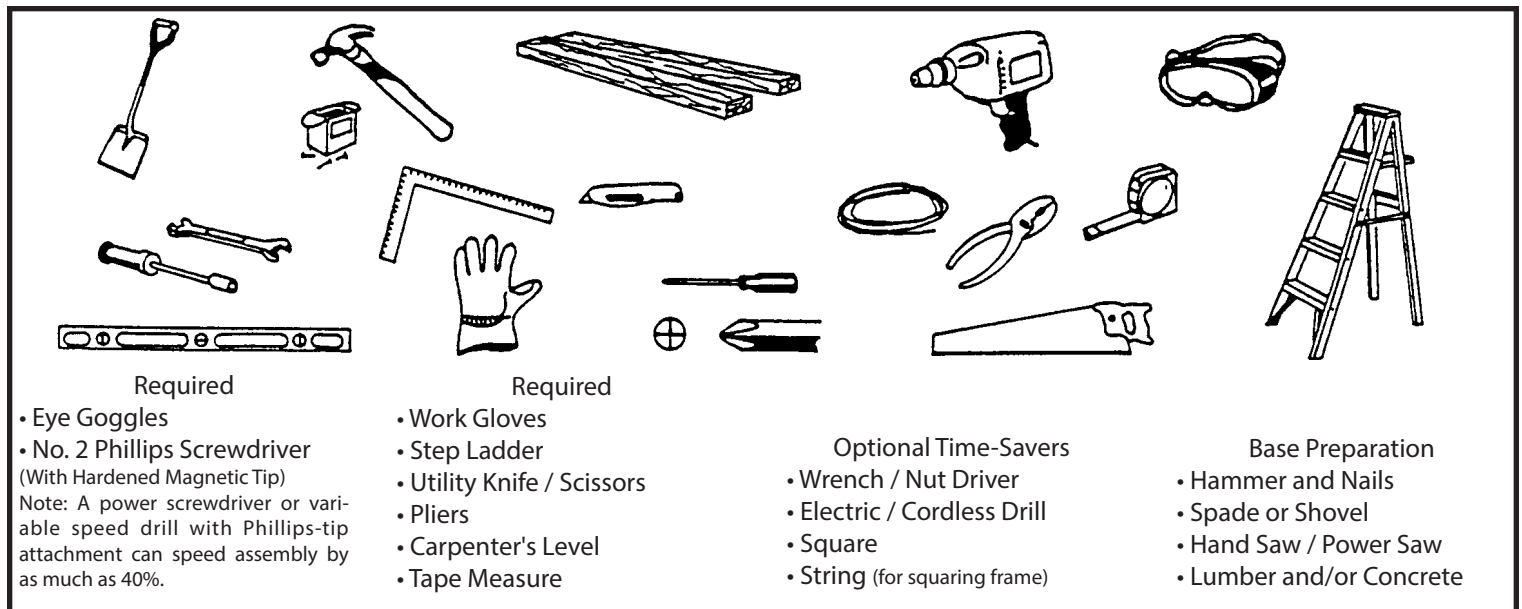
PLAN AHEAD....

A04

Watch the Weather: Be sure the day you select to install your building is dry and calm. Do not attempt to assemble your building on a windy day. Be careful on wet or muddy ground.

Teamwork: Whenever possible, two or more people should work together to assemble your building. One person can position parts or panels while the other is able to handle the fasteners and the tools.

Tools and Materials: These are some basic tools and materials you will need for the construction of your building. Decide which method of anchoring and the type of base you wish to use in order to form a complete list of the materials you will need.



Selecting and Preparing Your Site: Before assembly, you will want to decide on a location for your building. The best location is a level area with good drainage.

- Allow enough working space for ease of moving parts into position during assembly. Be sure there will be enough space at entrance for doors to open fully and enough space around the building to be able to fasten the panel screws from the outside.

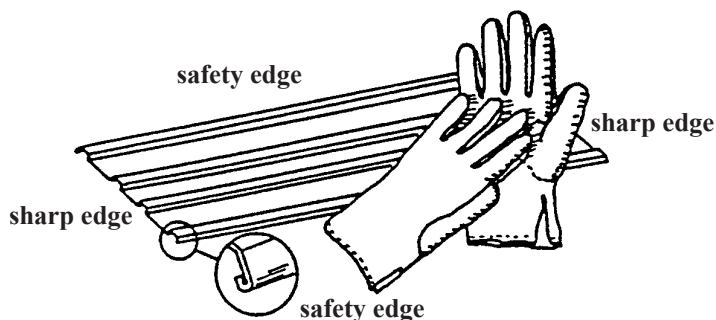
- Before you begin the first steps in assembling your parts, a base should be constructed and an anchoring system should be ready to use.

SAFETY FIRST...

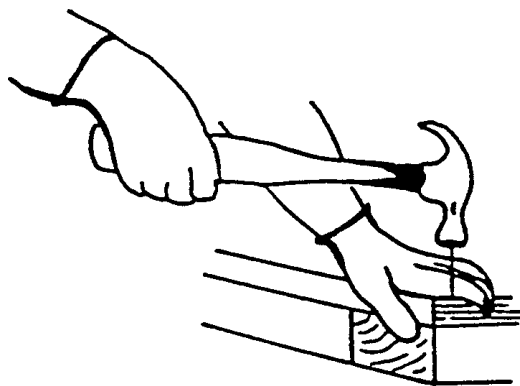
XA04

Safety precautions are important to follow throughout the construction of your building.

•Care must be taken when handling various pieces of your building since some contain sharp edges. Please wear work gloves, eye protection and long sleeves when assembling or performing any maintenance on your building.



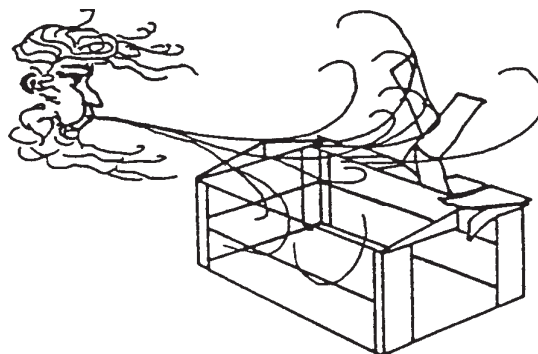
•Practice caution with the tools being used in the assembly of this building. Be familiar with the operation of all power tools.



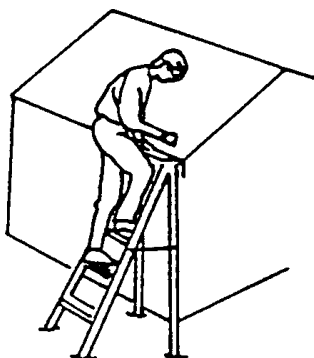
•Keep children and pets away from worksite to avoid distractions and any accidents which may occur.



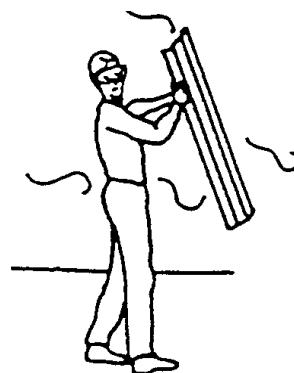
•Do not attempt to assemble the building if parts are missing because any building left partially assembled may be seriously damaged by light winds.



•Never concentrate your total weight on the roof of the building. When using a step ladder make sure that it is fully open and on even ground before climbing on it.



•Do not attempt to assemble the building on a windy day, because the large panels acting as a "sail", can be whipped about by the wind making construction difficult and unsafe.



CARE & MAINTENANCE....

XA05

Finish: For long lasting finish, periodically clean and wax the exterior surface. Touch-up scratches as soon as you notice them on your unit. Immediately clean the area with a wire brush; wash it and apply touch-up paint per manufacturer's recommendation.

Roof: Keep roof clear of leaves and snow with long handled, soft-bristled broom. Heavy amounts of snow on roof can damage building making it unsafe to enter.

Doors: Always keep the door tracks clear of dirt and other debris that prevent them from sliding easily. Lubricate door track annually with furniture polish or silicone spray. Keep doors closed and locked to prevent wind damage.

Fasteners: Use all washers supplied to protect against weather infiltration and to protect the metal from being scratched by screws. Regularly check your building for loose screws, bolts, nuts, etc. and retighten them as necessary.

Moisture: A plastic sheet (vapor barrier) placed under the entire floor area with good ventilation will reduce condensation.

Other Tips....

- Wash off inked part numbers on coated panels with soap and water.
- Silicone caulking may be used for watertight seals throughout the building.

Do not store swimming pool chemicals in your building. Combustibles and corrosives must be stored in air tight approved containers.

Keep this Owner's Manual and Assembly Instructions for future reference.

Base

IW07

The Base For Your Building

OPTION 1: Wood Platform

If you decide to build your own base, be sure to select the appropriate materials.

These are the recommended materials for your base:

2 x 4's (38 mm x 89 mm) Pressure Treated Lumber

5/8" (15,5 mm) 4 x 8 (1220 mm x 2440 mm) Plywood-exterior grade NOTE: Pressure Treated Lumber must not be used where it will make contact with your storage building. The properties of Pressure Treated Lumber will cause accelerated corrosion. If Pressure Treated Lumber comes in contact with your storage building your warranty will be voided.

10 & 4 penny Galvanized Nails Concrete Blocks (optional)

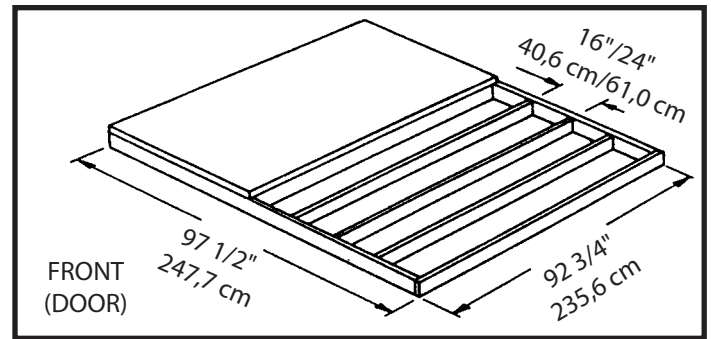
The platform should be level and flat (free of bumps, ridges etc.) to provide good support for the building. The necessary materials may be obtained from your local lumber yard.

To construct the base follow instructions and diagram.

Construct frame (using 10 penny galvanized nails)

Measure 16"/24" (40,6 cm/61,0 cm) sections to construct inside frame (see diagram)

Secure plywood to frame (using 4 penny galvanized nails)



Note: Platform/Slab will extend 9/16" (1,4 cm) beyond floor frame on all four sides. Seal this 9/16" (1,4 cm) of wood with a roofing cement (not included), or bevel this 9/16" (1,4 cm) of concrete when pouring, for good water drainage.

OPTION 2: Concrete Slab

The slab should be at least 4" (10,2 cm) thick. It must be level and flat to provide good support for the frame.

The following are the recommended materials for your base.

1 x 4's (19 mm x 89 mm) (will be removed once the concrete cures)

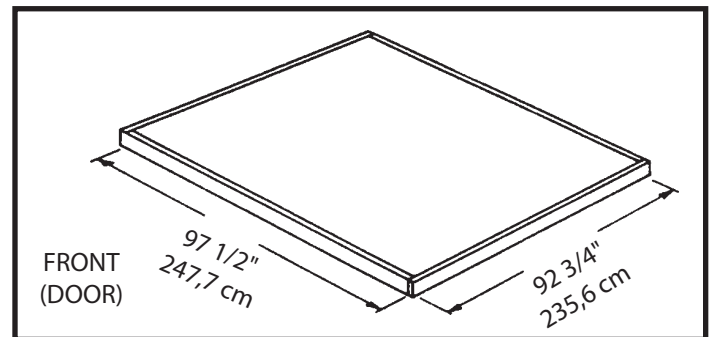
Concrete Sheet of 6 mil plastic

We recommend for a proper strength concrete to use a mix of:

1 part cement 3 parts pea sized gravel 2 1/2 parts clean sand

Prepare the Site/Construct a Base

1. Dig a square, 6" (15,2 cm) deep into the ground (remove grass).
2. Fill up to 4" (10,2 cm) in the square with gravel and tamp firm.
3. Cover gravel with a sheet of 6 mil plastic.
4. Construct a wood frame using four planks of 1x4 (19 mm x 89 mm) lumber.
5. Pour in concrete to fill in the hole and the frame giving a total of 4" (10,2 cm) thick concrete. Be sure surface is level.



Note: Finished Slab dimensions, with lumber removed.

Anchoring

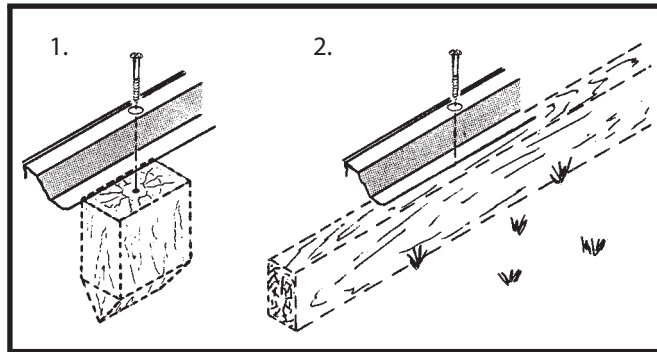
XA07

Anchoring Down The Building

It is important that the entire floor frame be anchored after the building is erected. Below are recommended ways of anchoring.

Anchoring into Wood/Post:

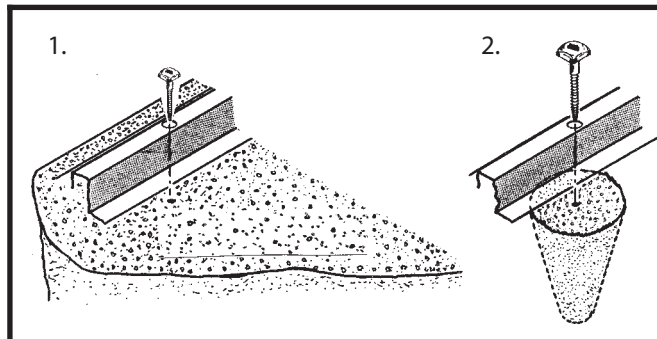
Use 1/4" (6 mm) Wood Screws. There are 1/4" (6 mm) dia. holes provided in the frames for proper anchoring.



Anchoring into Concrete:

1. For poured concrete slab or footing or patio blocks:
Use 1/4" x 2" (6 mm x 51 mm) Lag Screws.

2. For Anchor Post of Concrete poured after building is erected:
Use 1/4" x 6" (6 mm x 152 mm) Lag Screws.



Hardware

IW09

Remove from bag of screws
and save for the last step



65103
#8-32 Hex Nut (175)



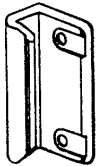
65900A
#10Bx1/2" (13 mm)
Black Screw (8)
(Packed with Screws)



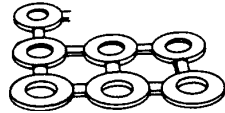
65923
#8-32x3/8" (10 mm)
Bolt (175)



65004
#8Ax5/16" (8 mm)
Screw (341)



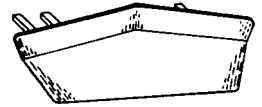
66045
Handle (2)



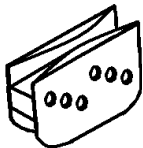
66646
Washer (273)
(8 sheets of 40)



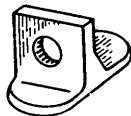
65109
#8-32 Acorn Nut (6)
(Packed with Screws)



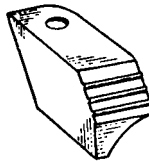
67468SPM
Peak Cap (2)



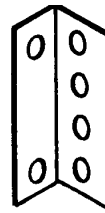
66769
Door Slide (4)



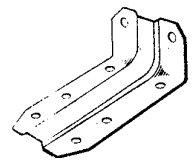
66382
Lower Door Guide (4)



66183
Roof Trim Cap
(2 right & 2 left)



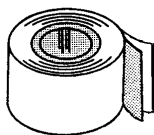
7916
Roof Beam Bracket (4)



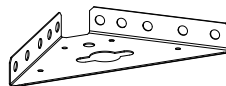
6228
Track Support (2)



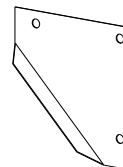
66775
Plug (2)
(Packed with Screws)



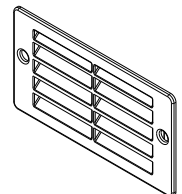
67293
Weather Stripping (1)



8397
Corner Brace (6)



6481
Gusset (2)



66847
Vent Gable (4)

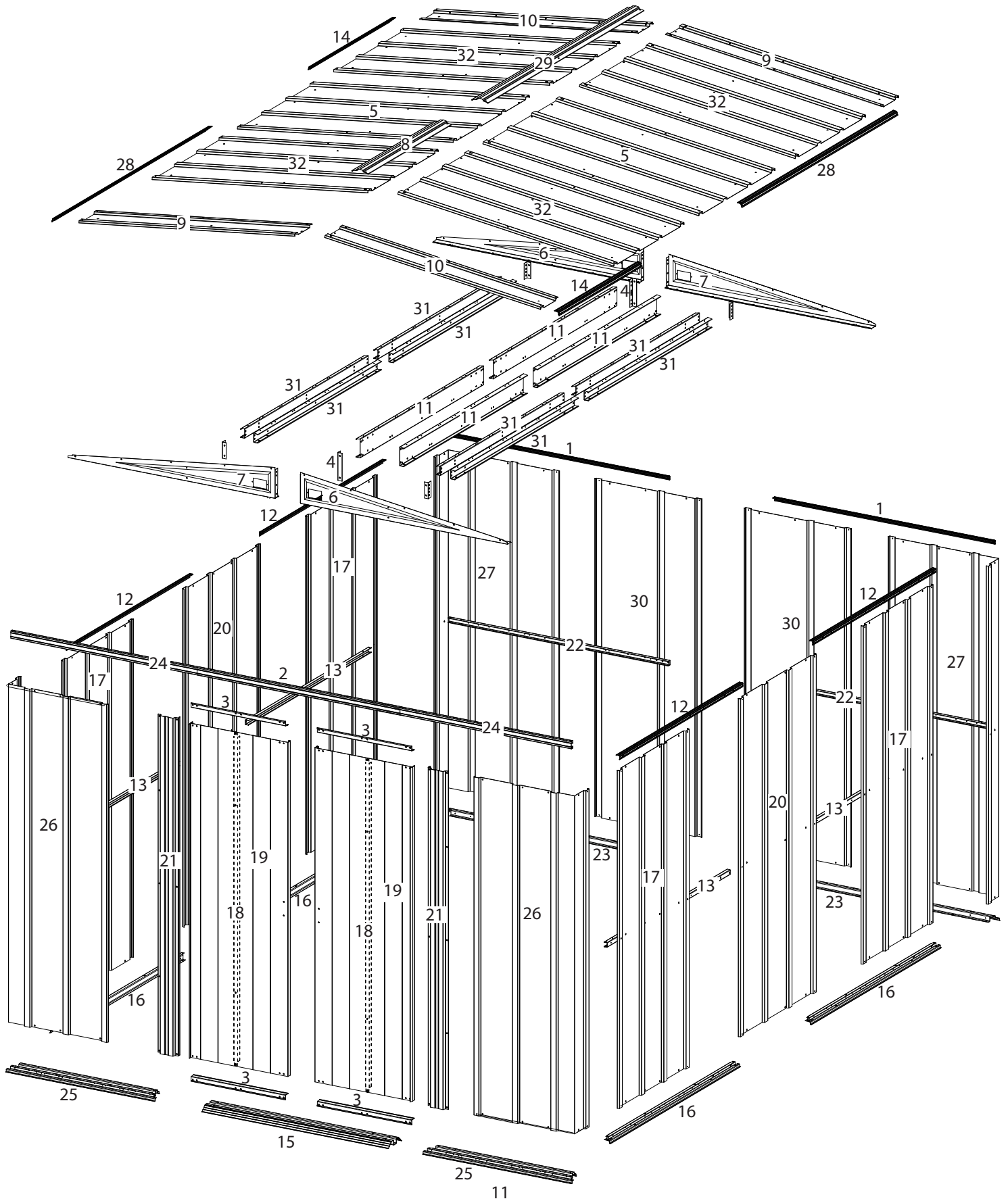
Parts List

IW10

Assembly Key No.	Part Number	Part Description	Quantity in Carton	Check List
1	6615	Rear Wall Angle	2	
2	6617	Door Track Splice	1	
3	10498	Horizontal Door Brace	4	
4	6658	Gable Brace	2	
5	7875	Roof Panel	2	
6	11148	Right Gable	2	
7	80139	Left Gable	2	
8	8486	Ridge Cap	1	
9	8466	Right Roof Panel	2	
10	8467	Left Roof Panel	2	
11	10470	Roof Beam	4	
12	9991	Side Wall Angle	4	
13	9990	Side Wall Channel	4	
14	8485	Left Side Roof Trim	2	
15	8941	Ramp	1	
16	9989	Side Floor Frame	4	
17	5210	Wall Panel	4	
18	6301	Vertical Door Brace	2	
19	10484	Right and Left Doors	2	
20	6521	Wall Panel	2	
21	9371	Door Jamb	2	
22	9924	Rear Wall Channel	2	
23	9377	Rear Floor Frame	2	
24	9378	Door Track	2	
25	9379	Front Floor Frame	2	
26	9383	Front Corner Panel	2	
27	9387	Rear Corner Panel	2	
28	8836	Right Side Roof Trim	2	
29	8840	Ridge Cap	1	
30	6155	Wall Panel	2	
31	10471	Roof Beam	8	
32	9978	Roof Panel	4	

Assembly by Key No.

IW11



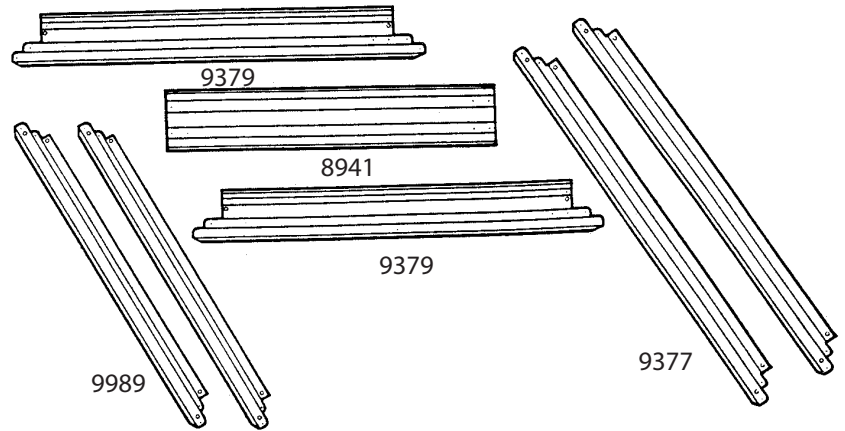
Step 1

BY14

Parts Needed For Floor Frame Assemblies

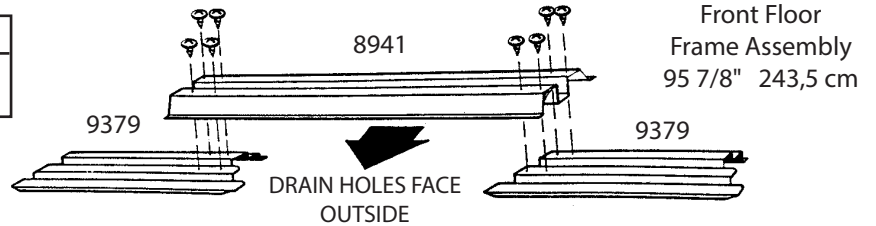
8941 Ramp (1)
9379 Front Floor Frame (2)
9377 Rear Floor Frame (2)
9989 Side Floor Frame (4)

The front floor frame is made up of 3 pieces. The side floor frames and the rear floor frame are made up of 2 pieces. The holes in these pieces will align when the pieces are positioned with correct amount of overlap. The illustrations below show the proper overall length for the sides, rear and front. Proceed as follows:



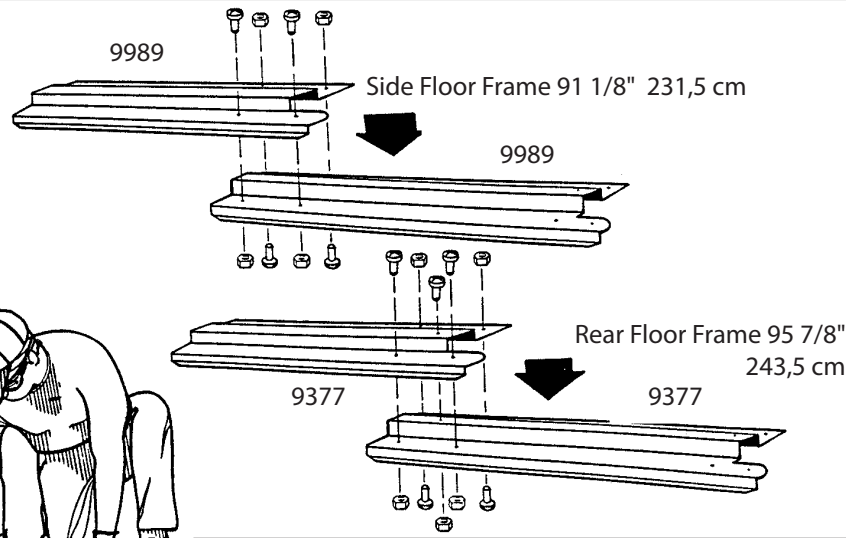
1 Place the front floor frames as shown. Center the ramp, with drain holes facing outside, on top of the 2 front floor frames. Join the frames by inserting 8 screws.

STEP
1

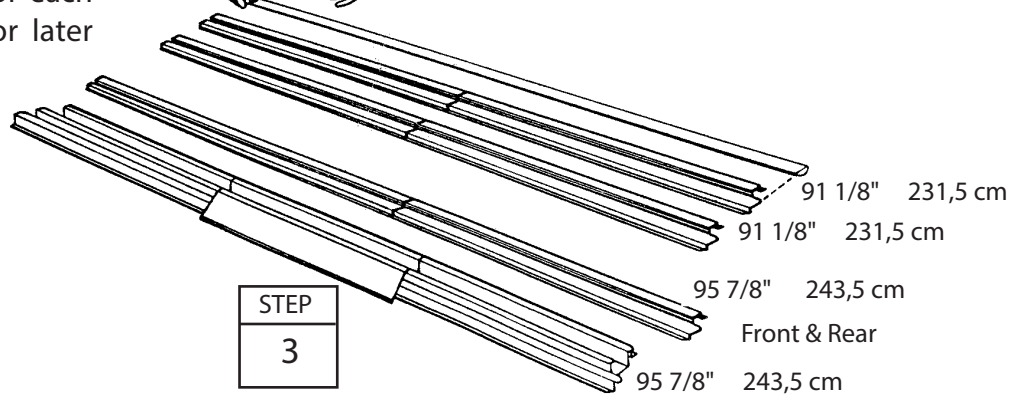


2 Overlap the side floor frames and the rear floor frames as shown. The holes in these pieces will align when the pieces are positioned with correct amount of overlap. See the illustrations below for the proper overall length of the side and rear floor frames. Join the frames by inserting 4/5 bolts into each frame set as shown.

STEP
2



3 Double check the length of each and set these pieces aside for later use.



STEP
3

Step 2

IW13

Parts Needed For Frame Assemblies

6615 Rear Wall Angle (2)
 9924 Rear Wall Channel (2)
 9990 Side Wall Channel (4)
 9991 Side Wall Angle (4)
 8397 Corner Brace (2)

The main frame pieces reinforce the walls. These pieces will later be installed in the center and at the top edge of the side walls and the rear wall. Proceed as follows:

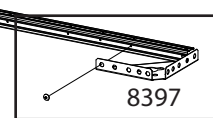
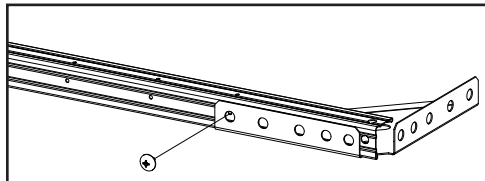
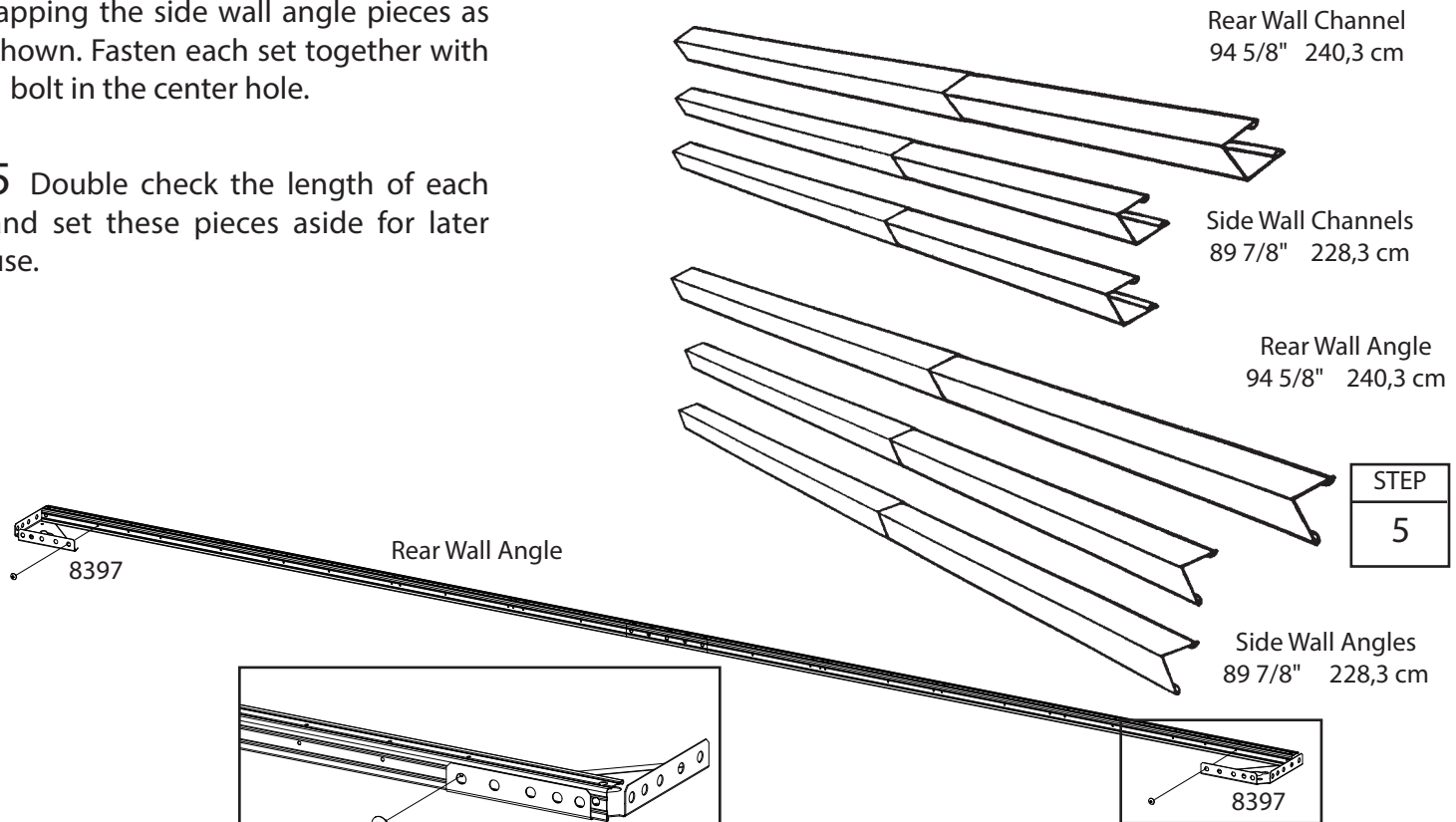
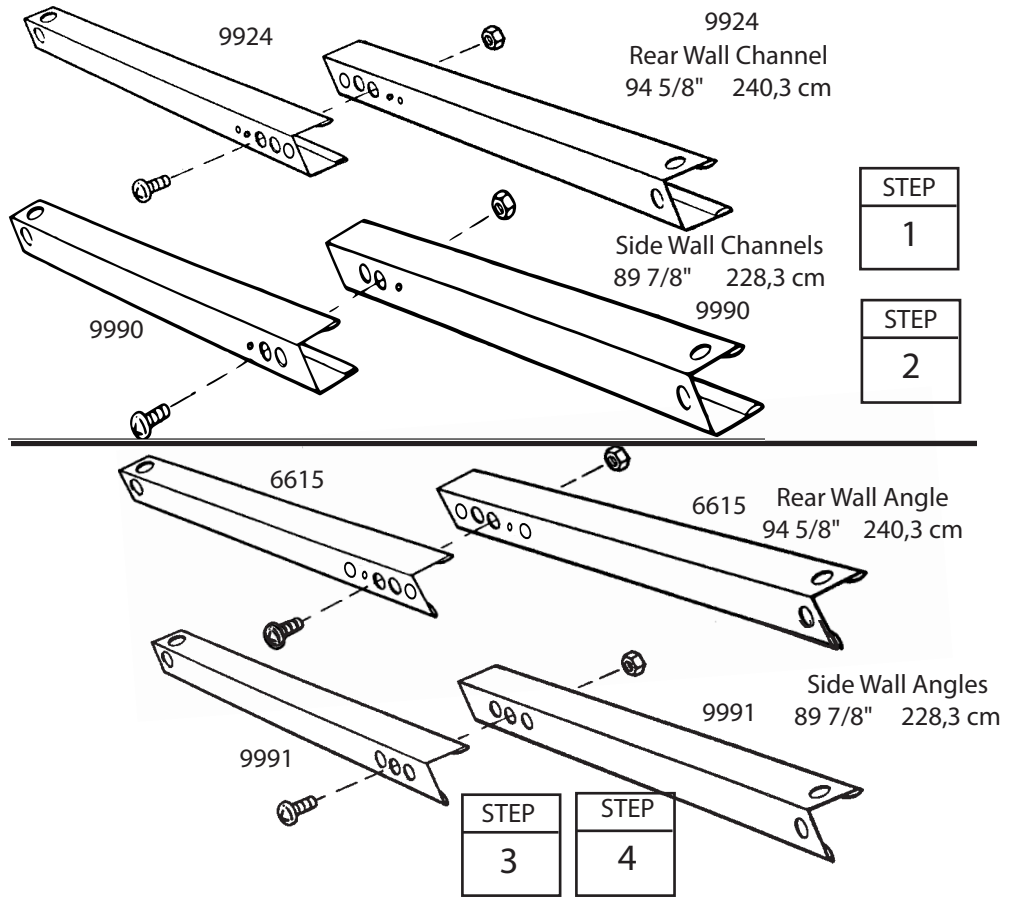
1 Overlap the rear wall channel pieces as shown in the figure and fasten the 2 pieces together with 1 bolt in the center hole (five holes will align).

2 Make 2 side wall channels by overlapping the side wall channel pieces as shown. Fasten each set together with 1 bolt in the center hole of each set.

3 Overlap the rear wall angle pieces as shown in the figure and fasten them together with 1 bolt in the center hole.

4 Make 2 side wall angles by overlapping the side wall angle pieces as shown. Fasten each set together with 1 bolt in the center hole.

5 Double check the length of each and set these pieces aside for later use.



Step 3

BY16

Parts Needed For Roof Beam Assemblies

10470 Roof Beam (4)

10471 Roof Beam (8)

The roof beams join the 2 gables and support the roof panels. The roof assembly is made up of 4 pieces overlapped back to back at the center.

Hint: These pieces are force-fitted, so you may have to press hard to join them together.

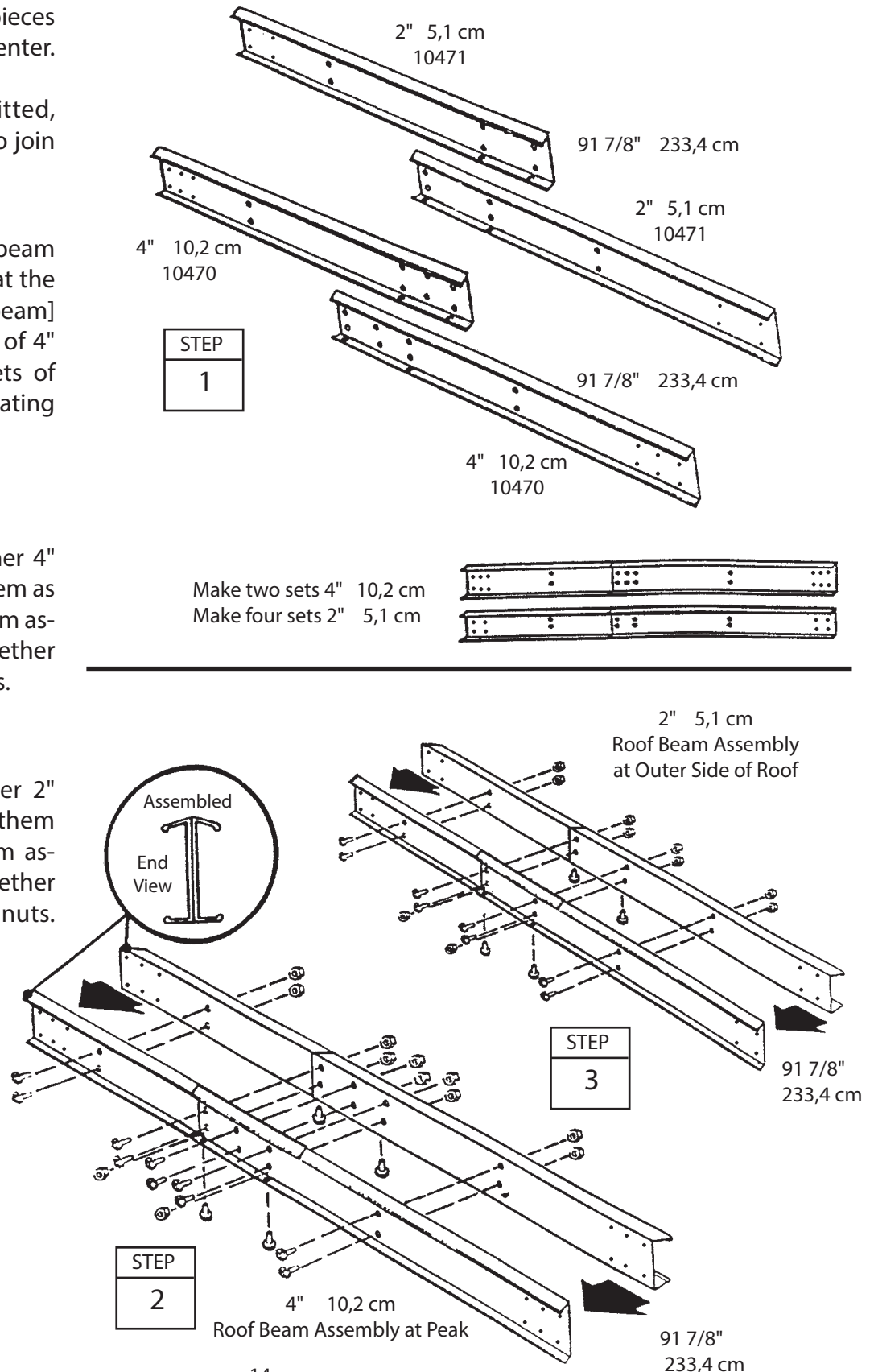
1 Place the end of one roof beam inside a second roof beam so that the 6 holes [4 holes if 2" (5,1 cm) beam] in each piece align. Make 2 sets of 4" (10,2 cm) roof beams and 4 sets of 2" (5,1 cm) roof beams by repeating this procedure.

Do not insert bolts yet.

2 Take 2 of the pressed-together 4" (10,2 cm) roof beams and join them as shown to form the main roof beam assembly. Hold the assembly together and fasten with 14 bolts and nuts. Make 1 assembly.

3 Make 2 of the press-together 2" (5,1 cm) roof beams and join them as shown to form the roof beam assembly. Hold the assembly together and fasten with 12 bolts and nuts. Make 2 assemblies.

4 Set these pieces aside for later assembly.



Step 4

B17

Parts Needed For Door Track Assembly

6617 Door Track Splice (1)
9378 Door Track (2)

The door track assembly supports the sliding doors and reinforces the front wall. It is made up of three pieces.

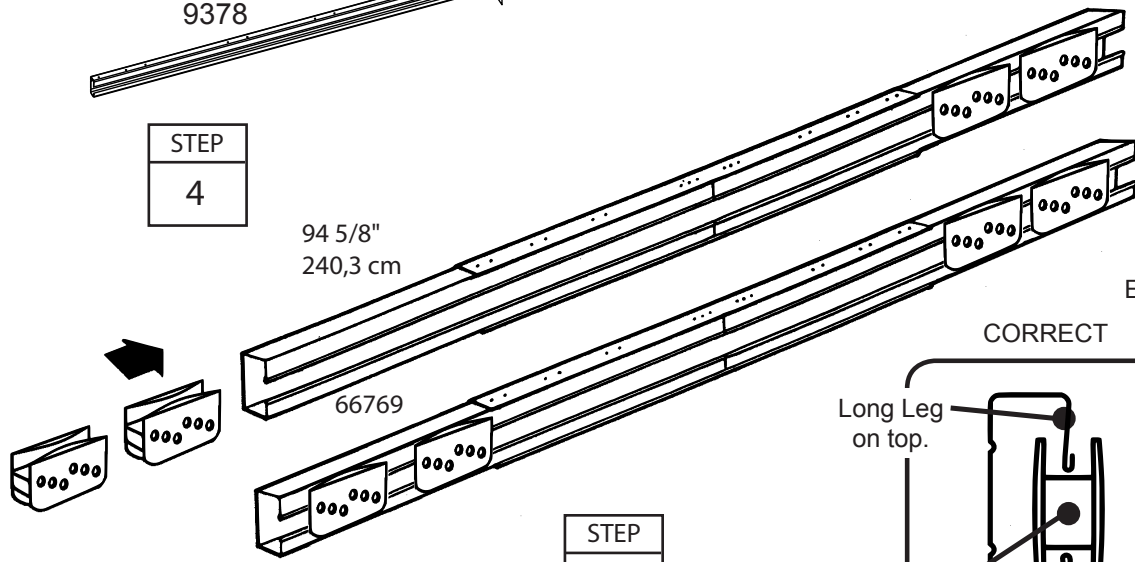
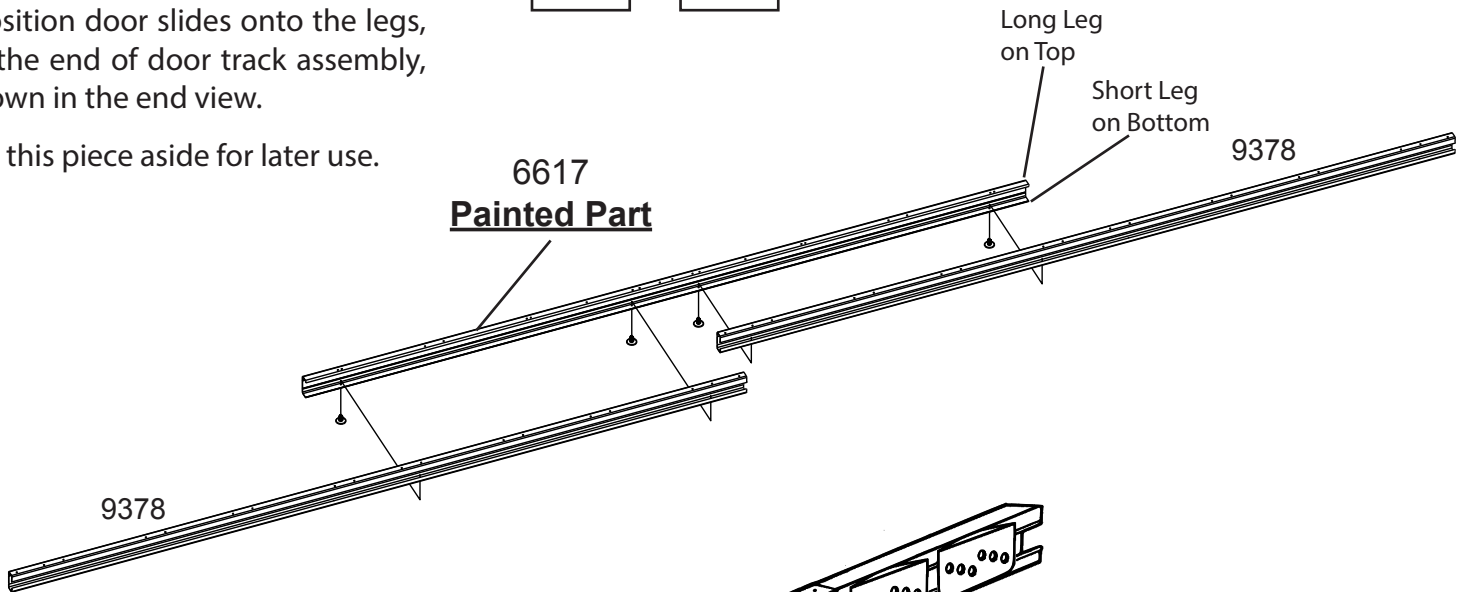
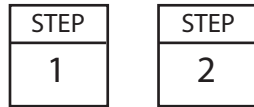
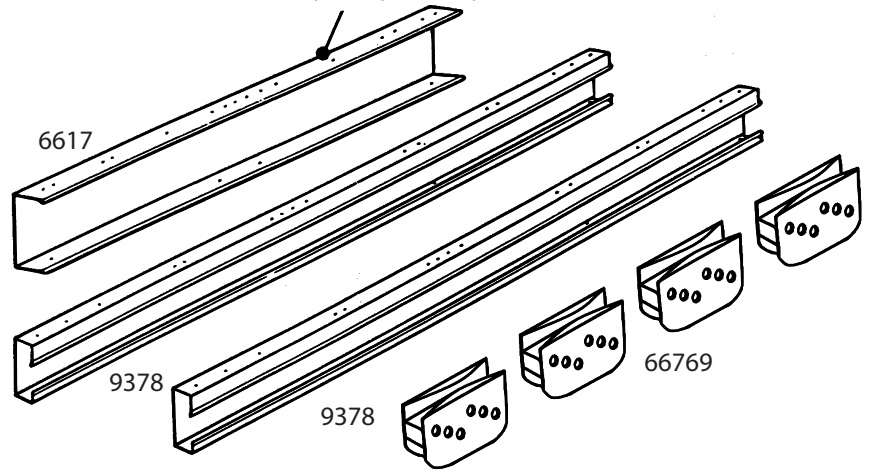
1 Using the door track splice, (painted), join the door track (galvanized) pieces end-to-end as shown.

2 Insert four screws from the underside only.
Hint: The holes in the top side of the door track assembly are for fastening the gable to the top of the front wall in a later step.

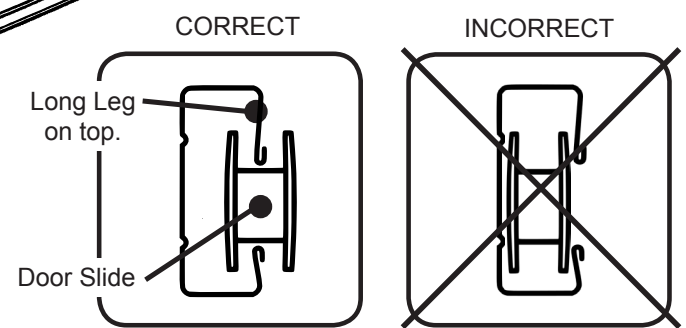
3 Position door slides onto the legs, from the end of door track assembly, as shown in the end view.

4 Set this piece aside for later use.

NOTE:
Door Track Splice (painted part)



END VIEW



Step 5

IW16

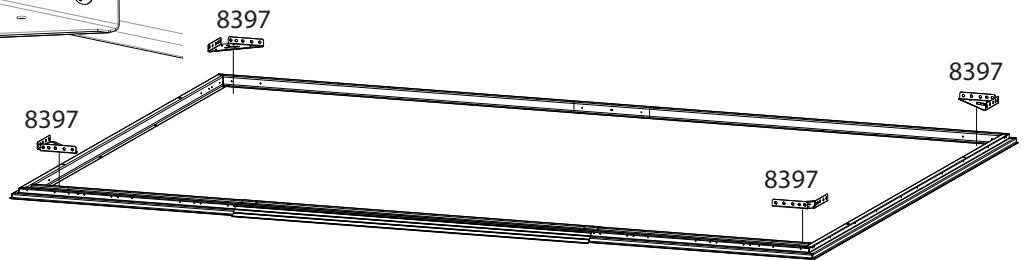
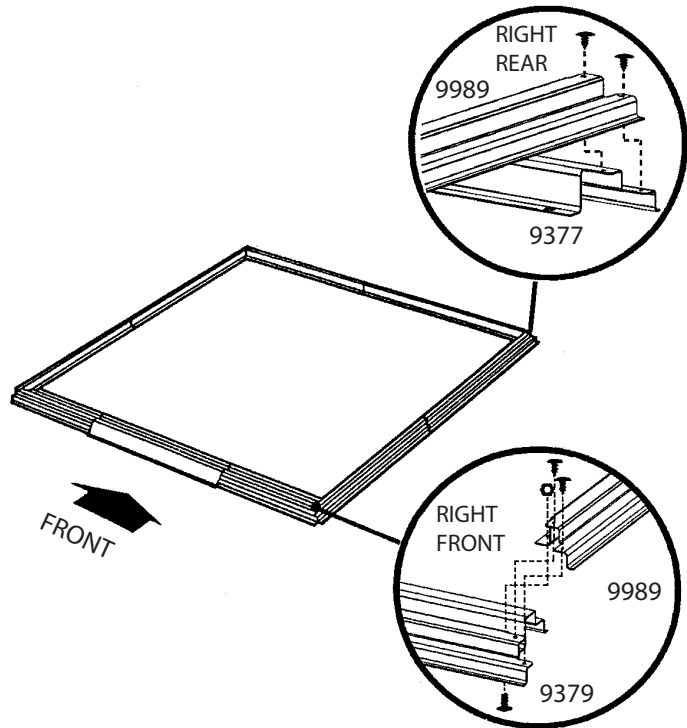
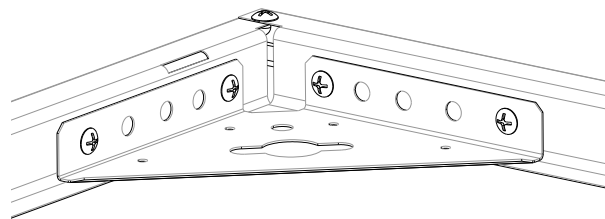
Parts Needed For Floor Frame

Front Floor Assembly (1)
Side Floor Assembly (2)
Rear Floor Assembly (1)
8397 Corner Brace (4)

1 Assemble the four corners of the floor frame using two screws at each corner as shown. At the front corners fasten bolts through from the bottom with nuts on top.

STEP
1

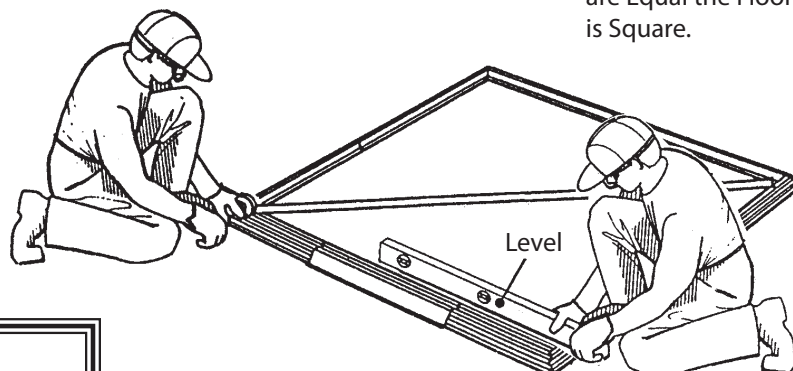
2 Measure the floor frame diagonally. When the diagonal measurements are equal, the floor frame is square.



NOTE

If using a wood platform or concrete slab do not fasten the floor frames to your base at this time. You will anchor the building after it is erected.

When Diagonal Measurements are Equal the Floor Frame is Square.



STEP
2

The floor frame must be square and level or holes will not align.

Step 6

IW17

Parts Needed For Corners

9383 Front Corner Panel (2)
9387 Rear Corner Panel (2)

NOTE

The remainder of the building assembly requires many hours and more than one person. Do not continue beyond this point if you do not have enough time to complete the assembly today. A partially assembled building can be severely damaged by light winds.

Each screw and bolt in the wall requires a washer.



CORRECT



INCORRECT

1 Position the rear corner panels at the rear corners, as shown. The widest part of each rear corner panel must be placed along the rear of the building. Attach the corner panels to the floor frame with 4 screws.

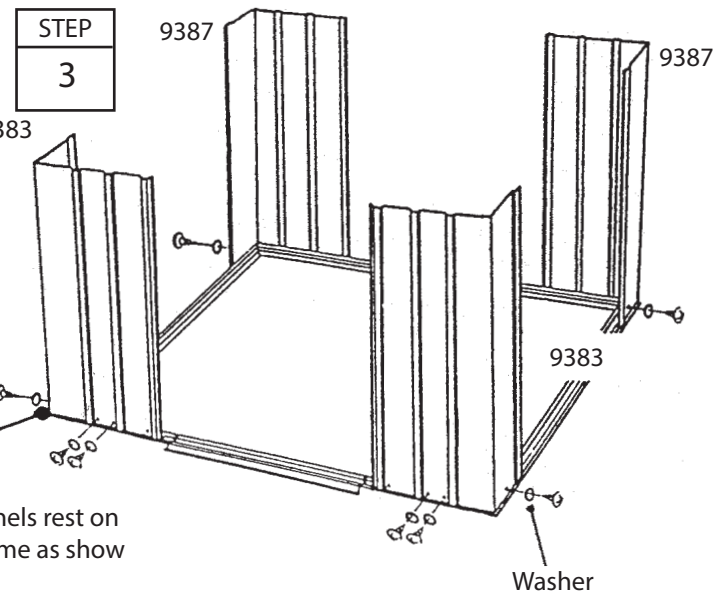
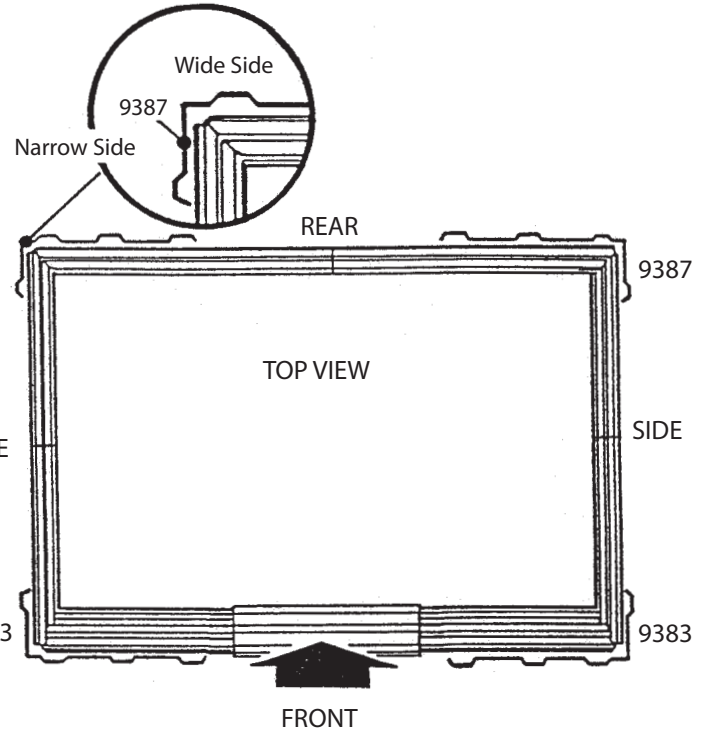
2 Position a front corner panel at the corner of the floor frame as shown. The widest part of each front corner panel must be placed along the front of the building. A small gap will exist between front corner panel and ramp. Fasten the corner panel to the floor frame with 3 screws.

NOTE

Be careful to install the correct panel in each position as shown

3 Double-check the part numbers of the wall panels, before proceeding.

The floor frame must be square and level or holes will not align.



Step 7

IW18

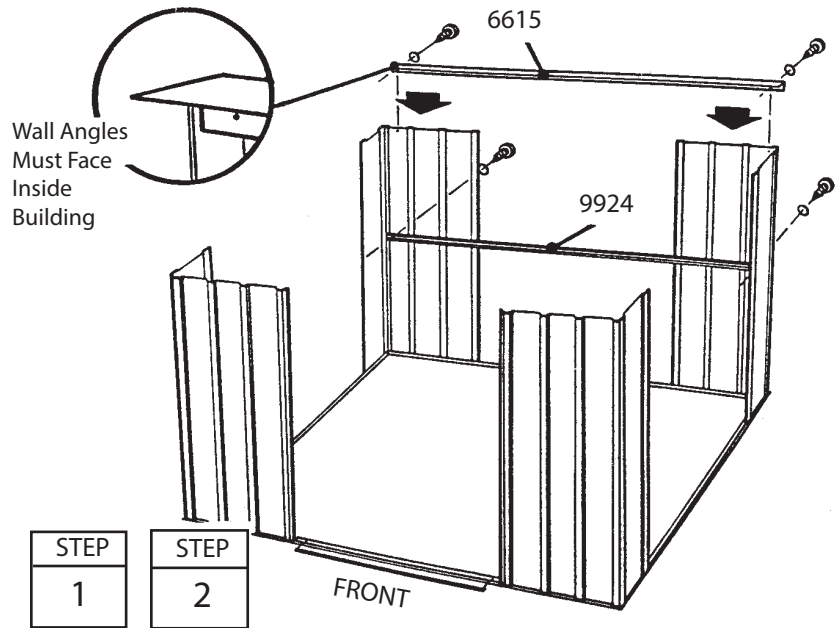
Parts Needed For Frames

Door Track Assembly (1)
 Rear Wall Angle Assembly (1)
 Side Wall Angle Assemblies (2)
 Rear Wall Channel Assembly (1)
 Side Wall Channel Assemblies (2)
 6481 Gusset (2)

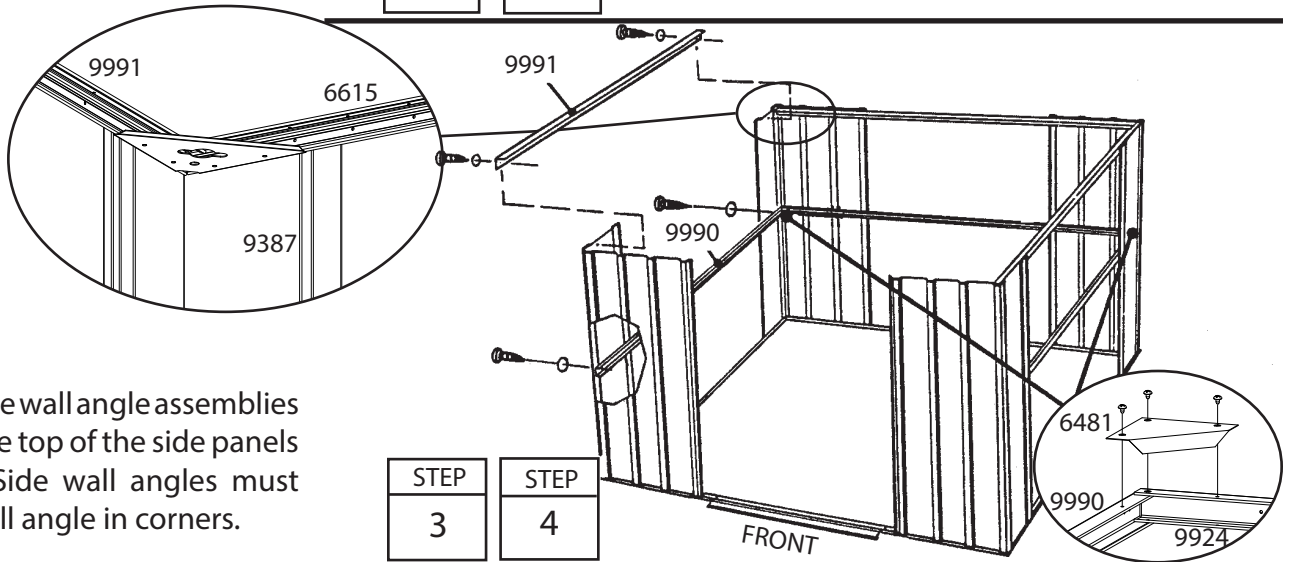
The main frame pieces give rigidity to the side walls and provide a surface for attaching the gables which support the roof.

1 Fasten the rear wall angle assembly across the inside top of the rear wall using screws.

2 Fasten the rear wall channel assembly across the middle of the rear wall using screws.



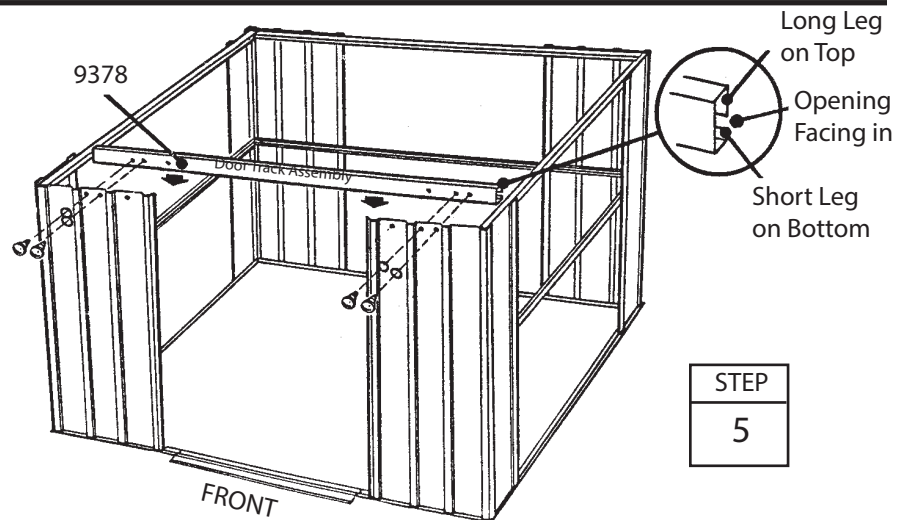
STEP	STEP
1	2



STEP	STEP
3	4

3 Fasten the side wall angle assemblies across the inside top of the side panels using screws. Side wall angles must overlap rear wall angle in corners.

4 Fasten the side wall channel assemblies across the middle of the side panels using screws. Fasten overlaps in rear corners with screws.



STEP
5

5 Fasten the door track assembly (holes on top) across the top of the front wall panels using screws. See the figure.

Step 8

IW19

Parts Needed For Wall Panels

6155 Wall Panel (2)
6521 Wall Panel (2)
5210 Wall Panel (4)

The wall panels come in two widths. Each wall panel has a crimped rib on one side. The crimped rib should go under the rib of the panel that follows it.

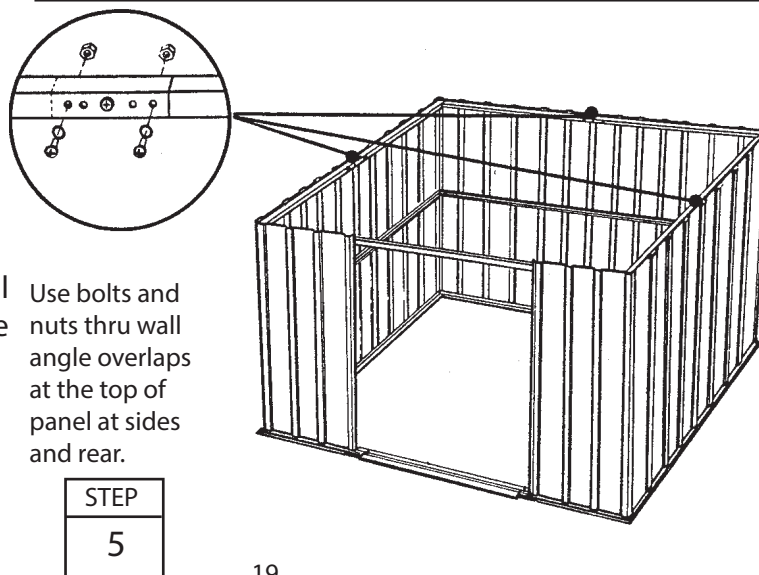
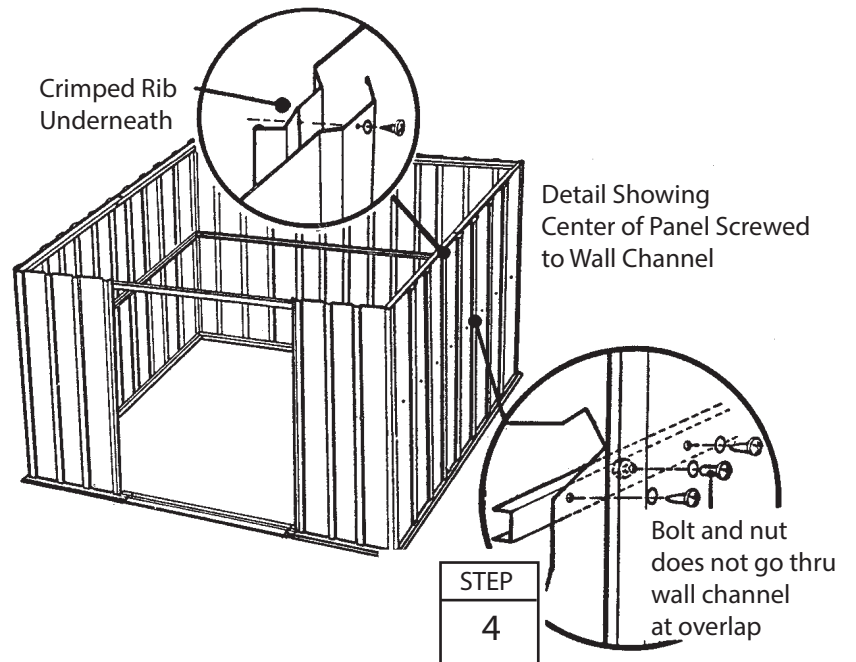
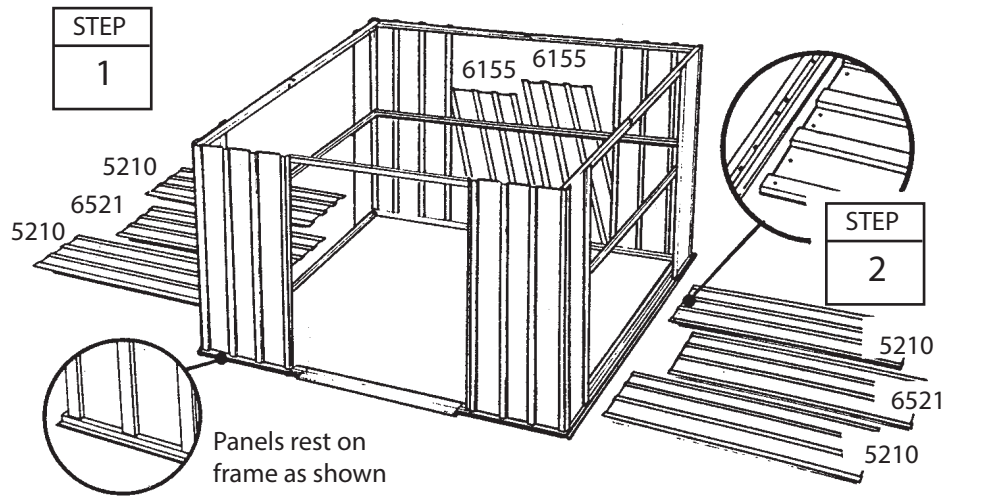
1 Locate all of the wall panels and set each one alongside the building.

2 Be sure that you have the correct panels in each position. Do this by overlapping the panels and determining if the holes line up with the holes in the frame.

3 Fasten the wall panels at the top and bottom with screws.

4 Fasten the center of each panel to the wall channel with screws. Fasten overlapping ribs using a bolt and nut with 2 screws.

5 When you have attached all wall panels in the correct positions, the building will look like this.



Step 9

IW20

Parts Needed For Door Jamb

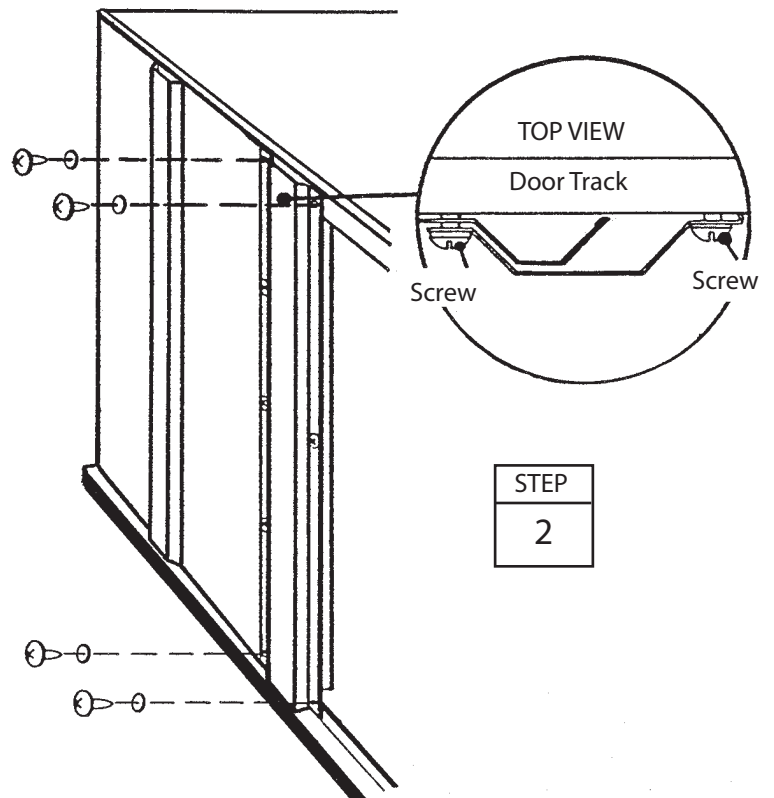
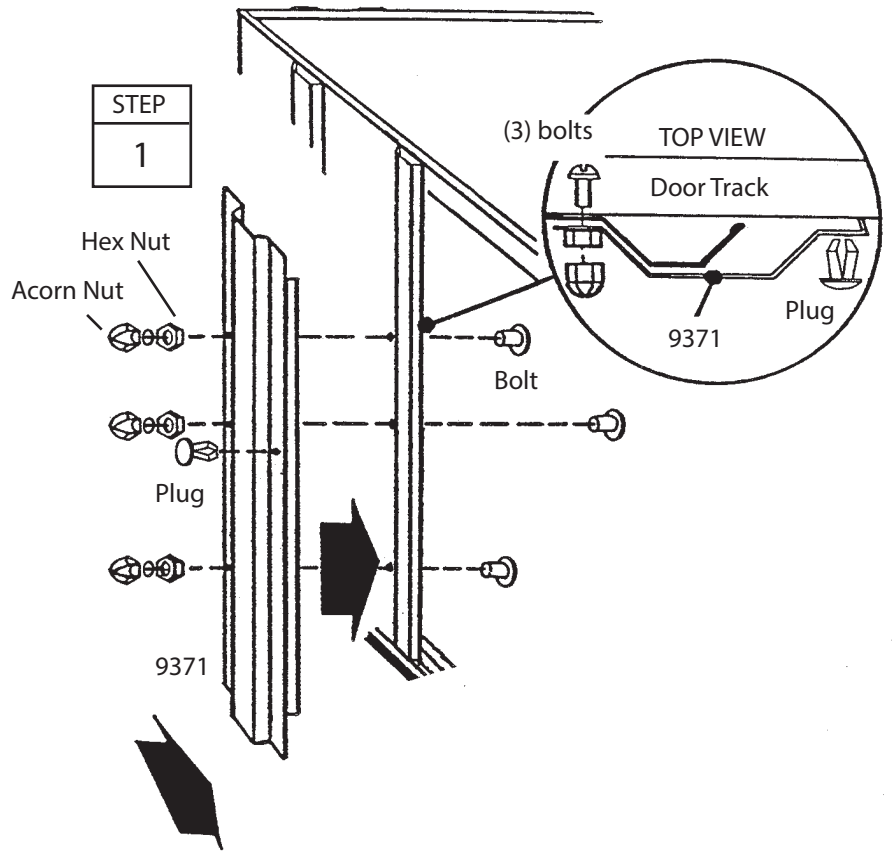
9371 Door Jamb (2)

The door jambs reinforce the door opening and provide an attractive trim. Follow these steps for both door jambs.

1 Fasten a door jamb to the front panel with three bolts, nuts and acorn nuts, as shown. Push a plug into hole at center of jamb, closest to door opening.

2 Fasten the top of the door jamb to the door track with two screws. Do the same for the bottom into frame.

Repeat steps 1 through 2 for the opposite door jamb.



Step 10

IW21

Parts Needed For Gable Assemblies

11148 Right Gable (2)
80139 Left Gable (2)
7916 Roof Beam Bracket (4)

The gables go on top of the front and rear walls to support the roof beams.

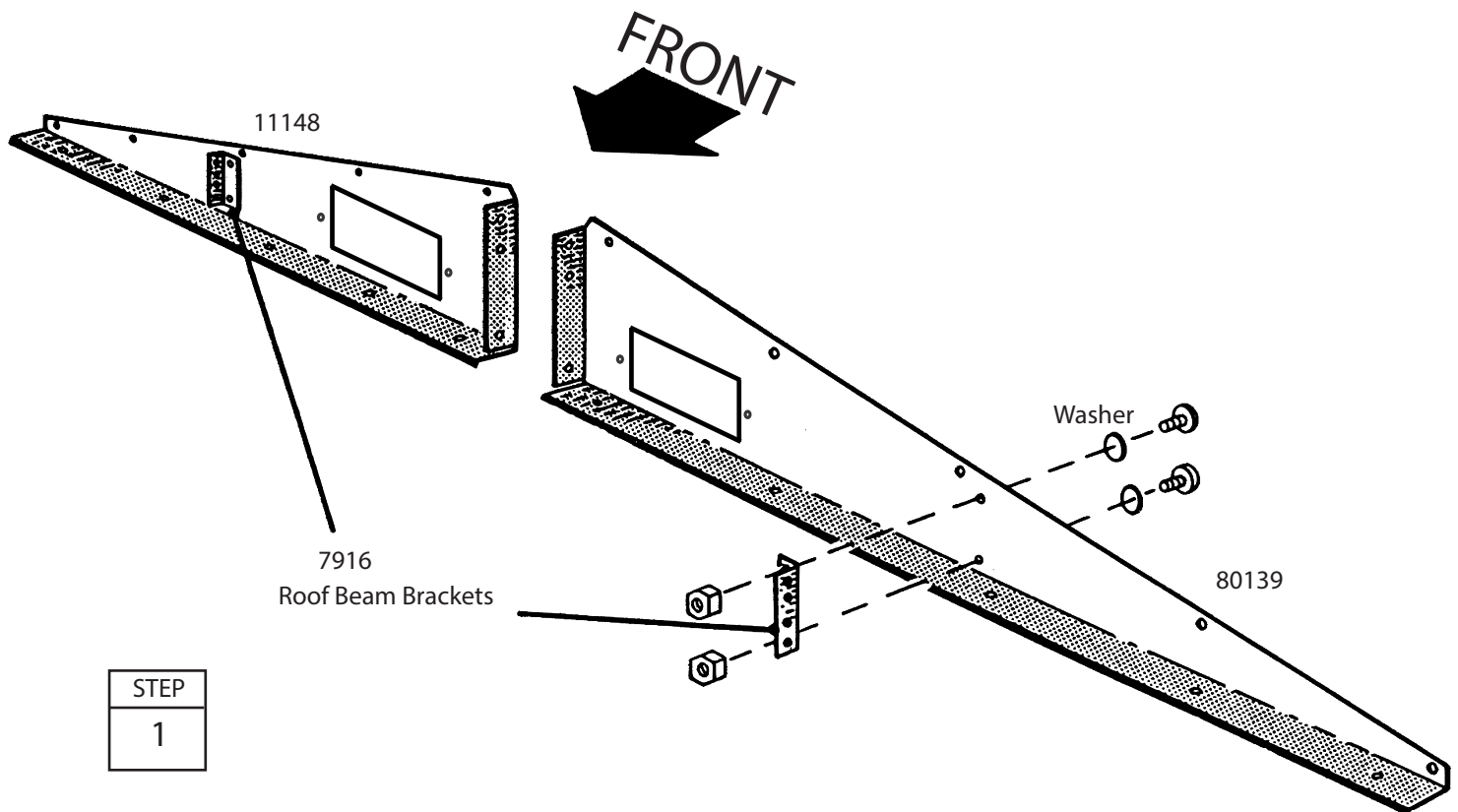
NOTE

The gables are packed nested together and might be mistaken as one piece. Carefully separate them before continuing.

1 Attach the four roof beam brackets to the gables using two bolts, washers and nuts.

NOTE

Mounting leg of bracket must face toward center of gable



Step 11

IW22

Parts Needed For Gables/Braces

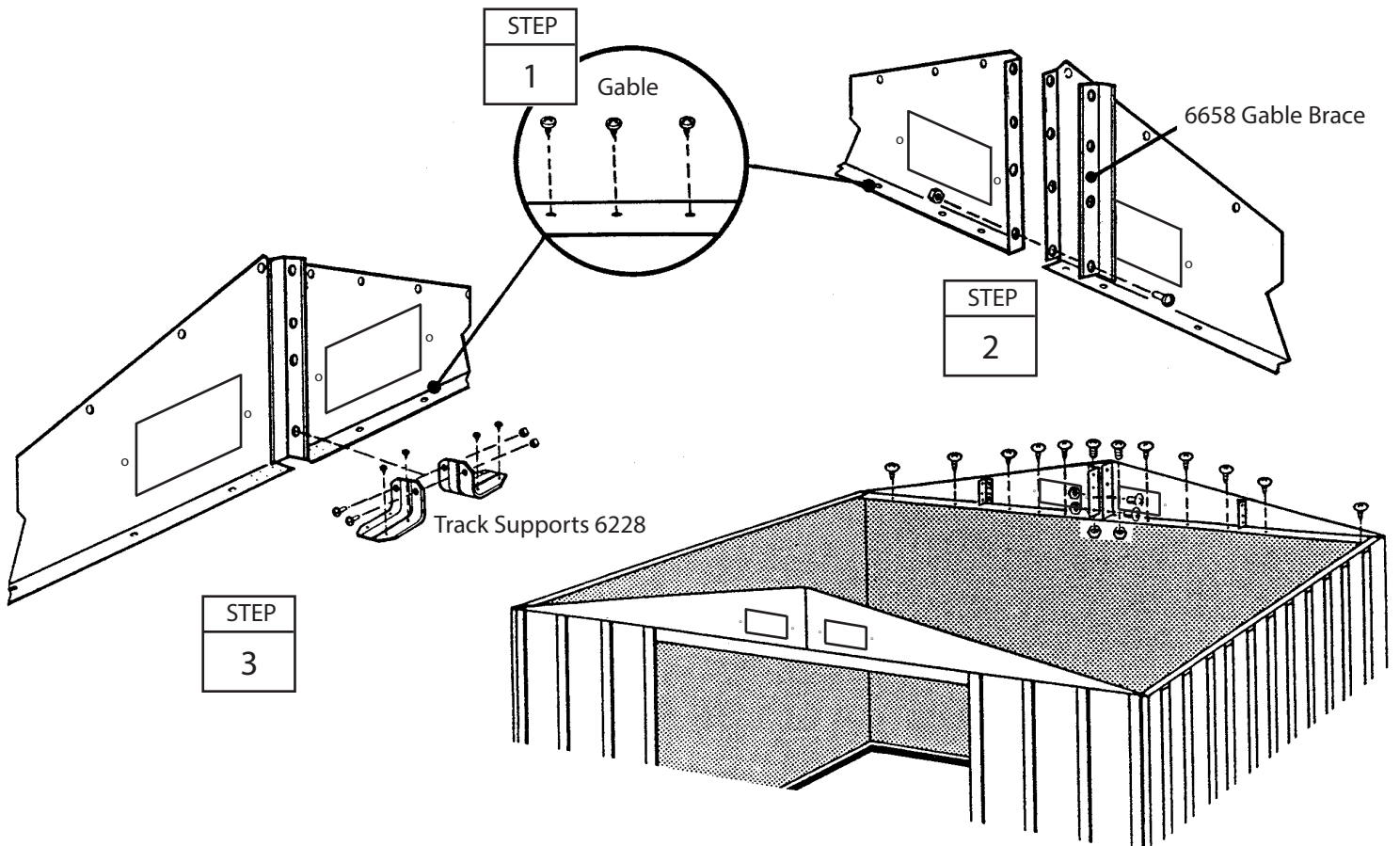
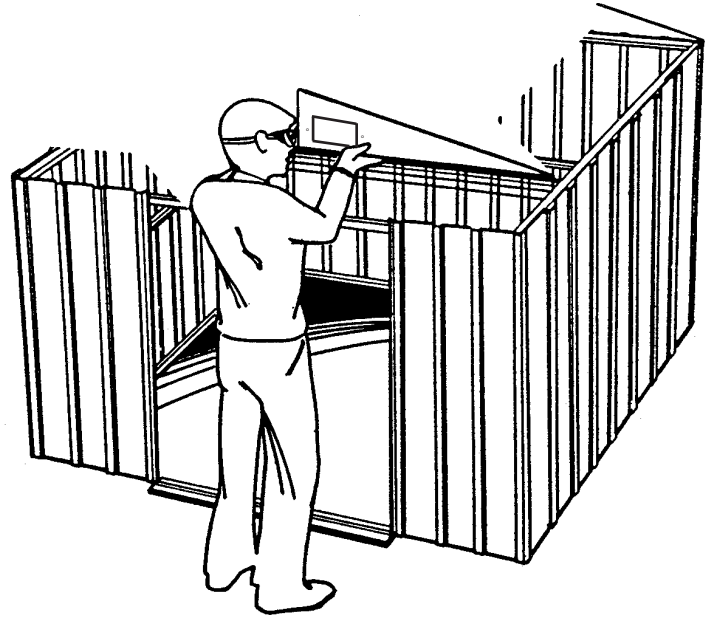
Left Gable Assembly (2)
Right Gable Assembly (2)
6658 Gable Brace (2)

1 Lift and fasten a right and left gable, under angle at corner, to the rear wall angle with screws.

Hint: On the rear gable, use a bolt and nut at the overlapping rear wall angle. On the front gable, leave out 2 screws closest to center gable leg.

2 Join the left and right gables together with a gable brace using bolts and nuts in the bottom hole only.

3 Repeat Steps 1 & 2 for the door track on the front of building, except for the track supports, fasten as shown.



Step 12

IW23

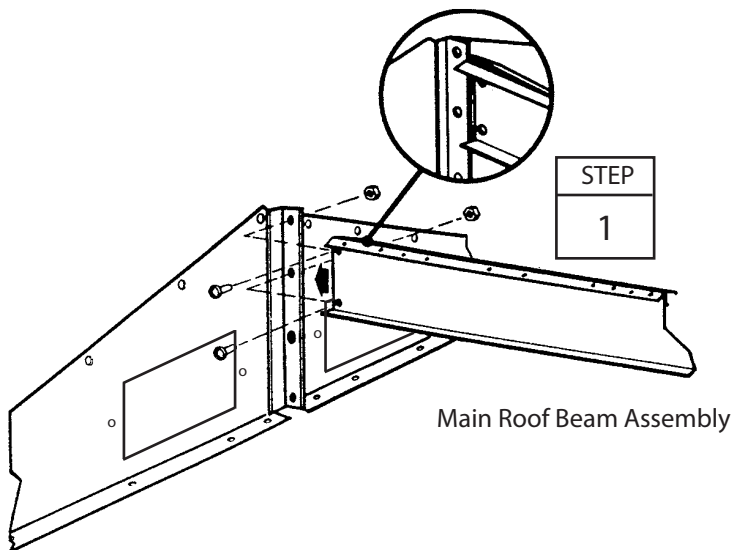
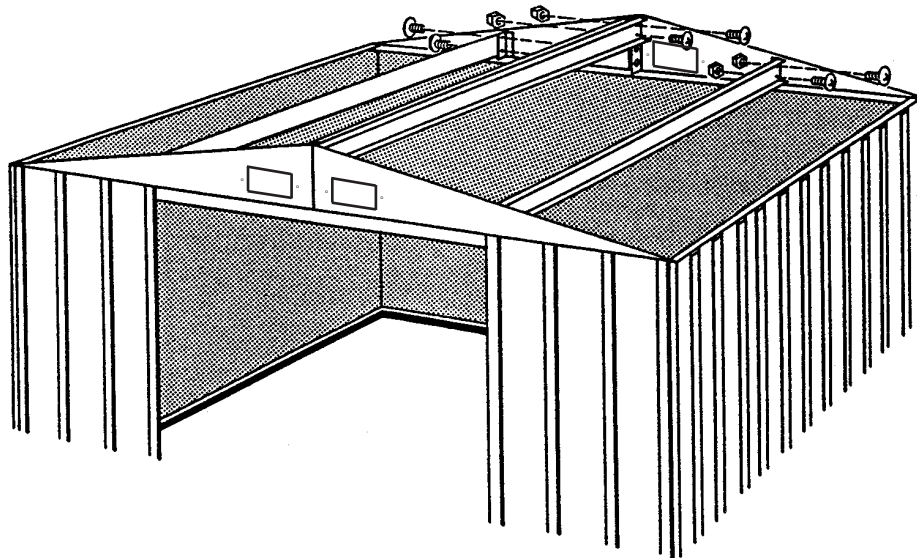
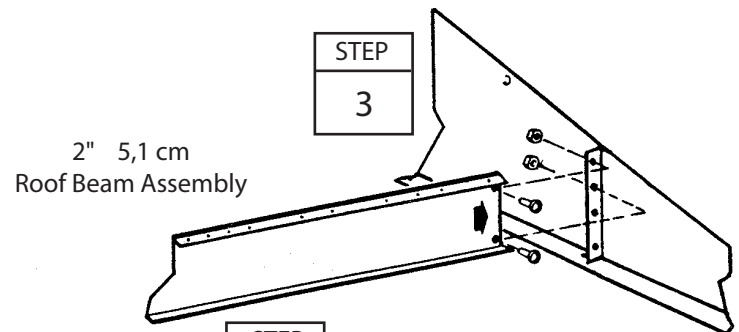
Parts Needed For Roof Beams

Main Roof Beam (1)
Outer Roof Beam (2)

1 Fasten the main roof beam to the gable brace of the front gable.

2 Fasten the other end of the main roof beam to the gable brace of the rear gable.

3 Fasten the 2" (5,1 cm) roof beam assemblies to the outer roof beam brackets in the same manner.



Step 13

IW24

Parts Needed For Right Roof Panel

8466 Right Roof Panel (1)

Installing the roof panels is best done with a step ladder. Begin installing roof panels at the back right corner of the building. Each screw and bolt in the roof requires a washer.

NOTE

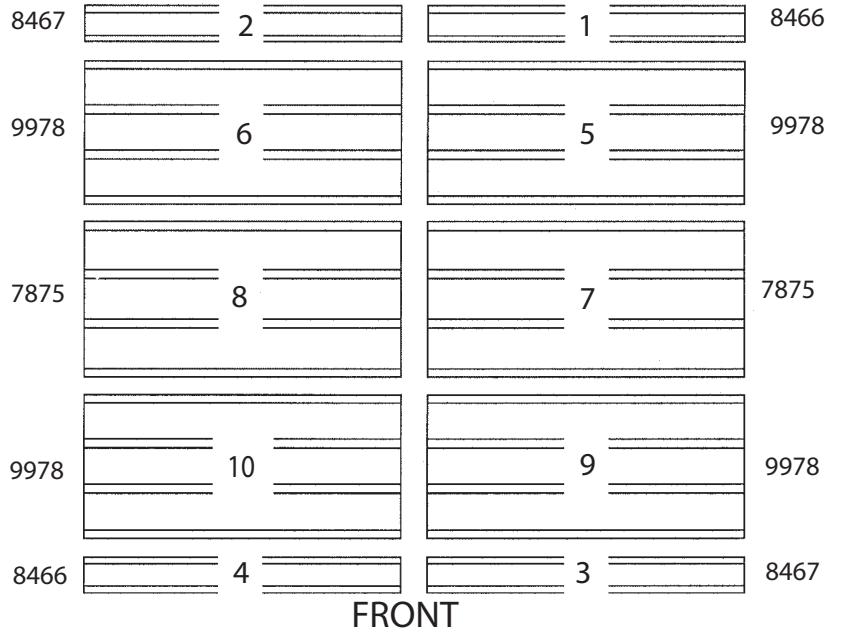
Measure the building diagonally again and make adjustments to make sure the building is square. This will make the roof panels fit better, and holes will align.

1 Locate the roof panels by their numbers. Note the sequence and position they are to be installed.

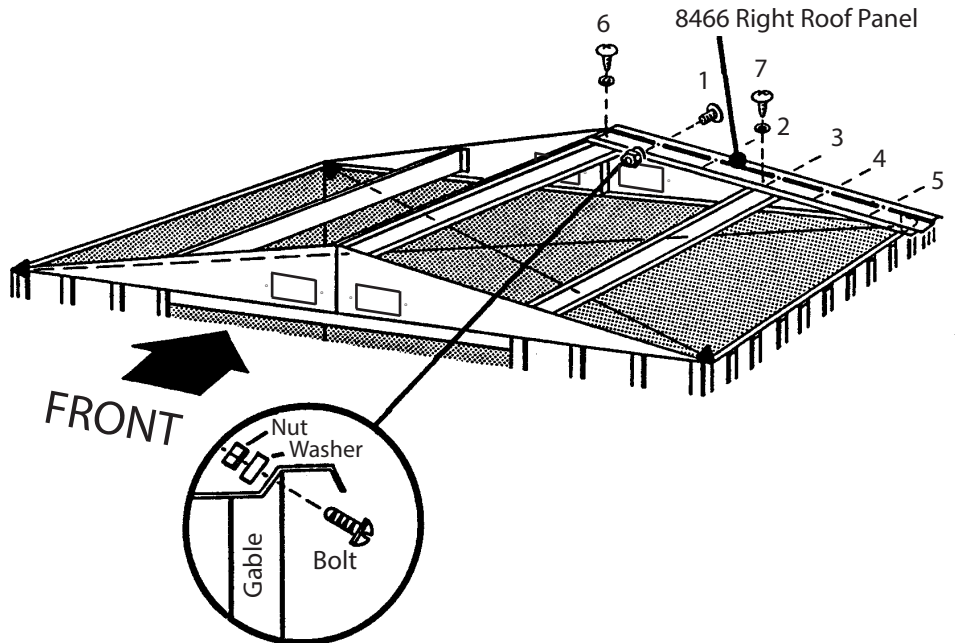
2 Position the right roof panel at the back right corner and fasten to the gable with 5 bolts and nuts and roof beams using 2 screws. Do not fasten the lower end of the panel to the side wall angle at this time.

Hint: Attach fasteners in order shown in diagram.

STEP
1



STEP
2



Step 14

IW25

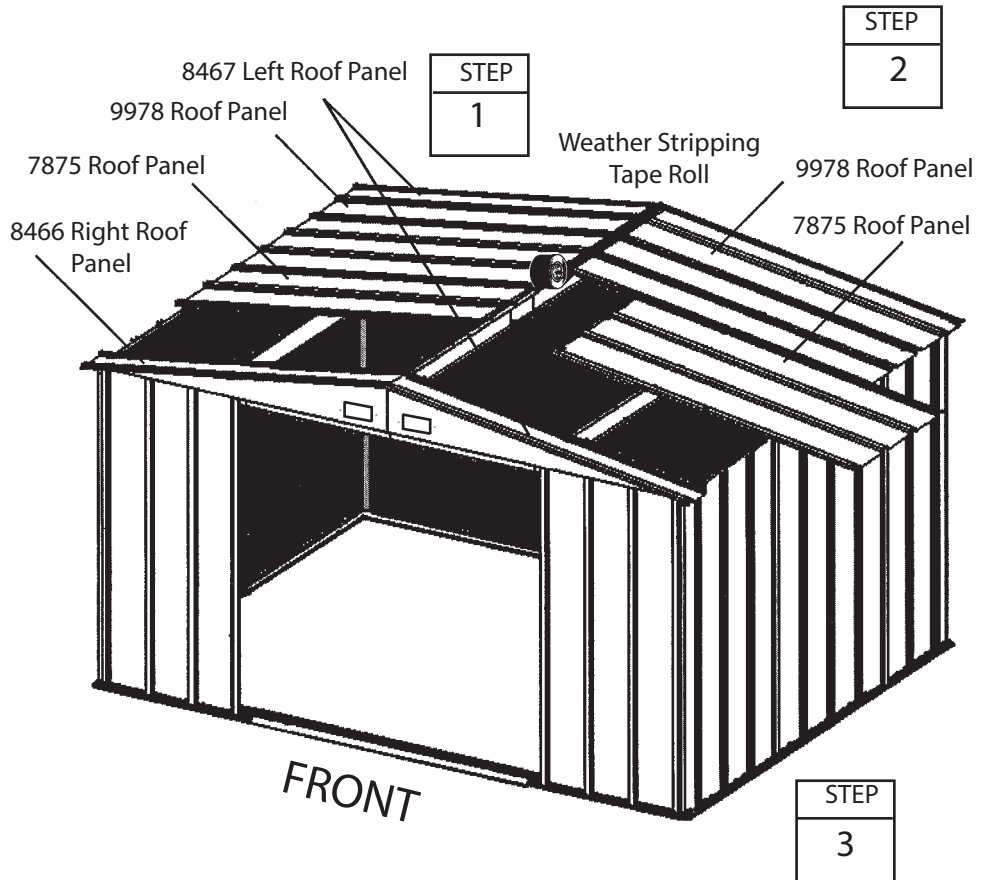
Parts Needed For Roof Assembly

8466 Right Roof Panel (1)
8467 Left Roof Panel (2)
7875 Roof Panel (2)
9978 Roof Panel (2)

1 Install a left roof panel at the left rear and right front corner of the roof. Install a right roof panel at the left front corner of the roof.

2 Cut 4 short 2" (5,1 cm) strips off the roll of weather stripping tape, and put them aside. Cover the joint at the peak with weather stripping tape. Unroll the tape and press it down over the opening at the ridge as you install each roof panel. Do not cut the tape at this time.

3 Install 2 narrow and 2 wide roof panels in the sequence and positions shown on previous page. Do not fasten the lower end of the panels to the side wall angles at this time. Continue weather stripping the ridge opening.

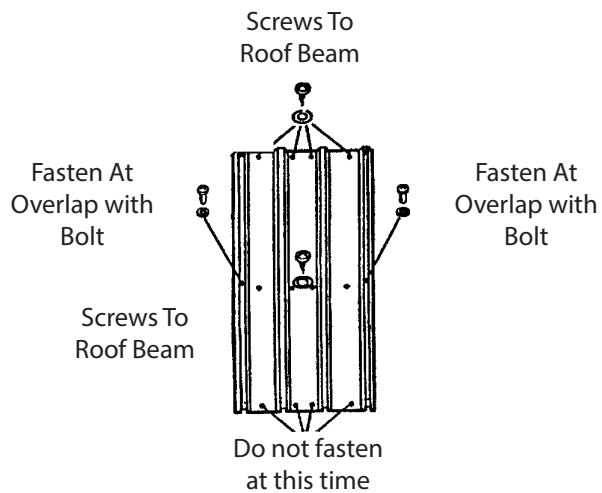


NOTE

Narrow roof panel crimped rib is overlapped by wide rib of adjacent panel where possible.

NOTE

If roof beam holes do not line up with the roof panel holes, shift the building from left to right. If this does not help, your building may not be level. Shim the corners until holes line up.



Step 15

IW26

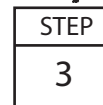
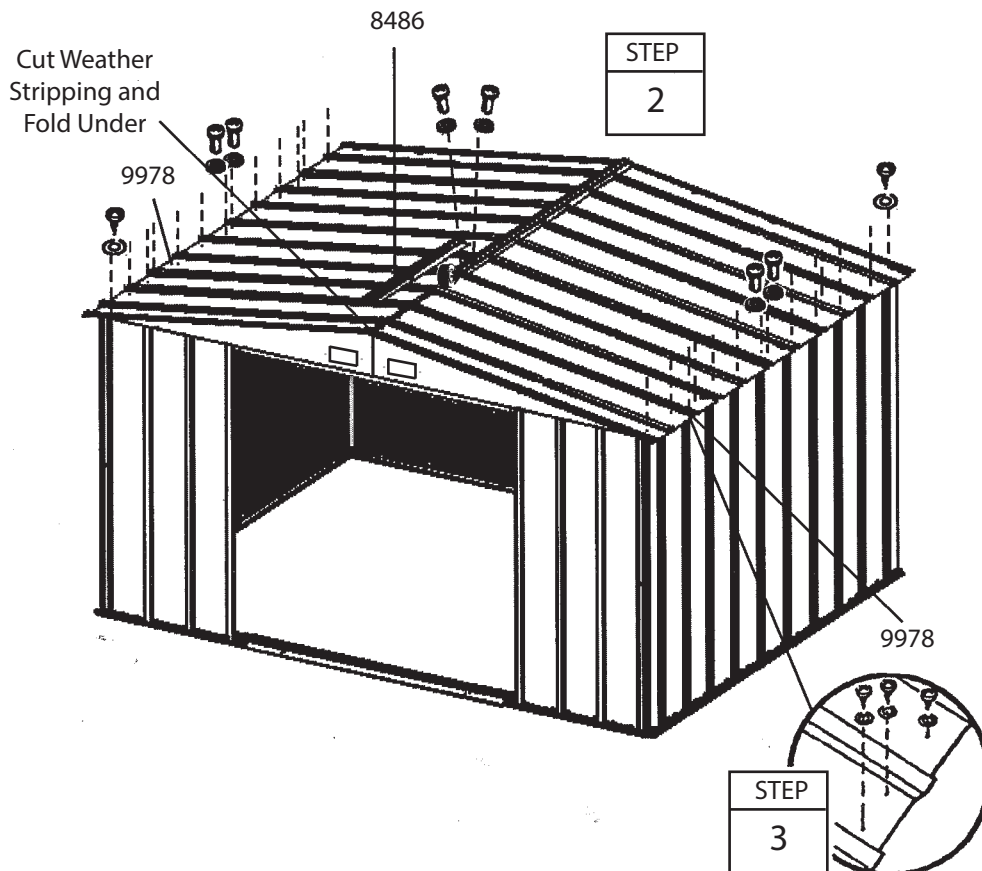
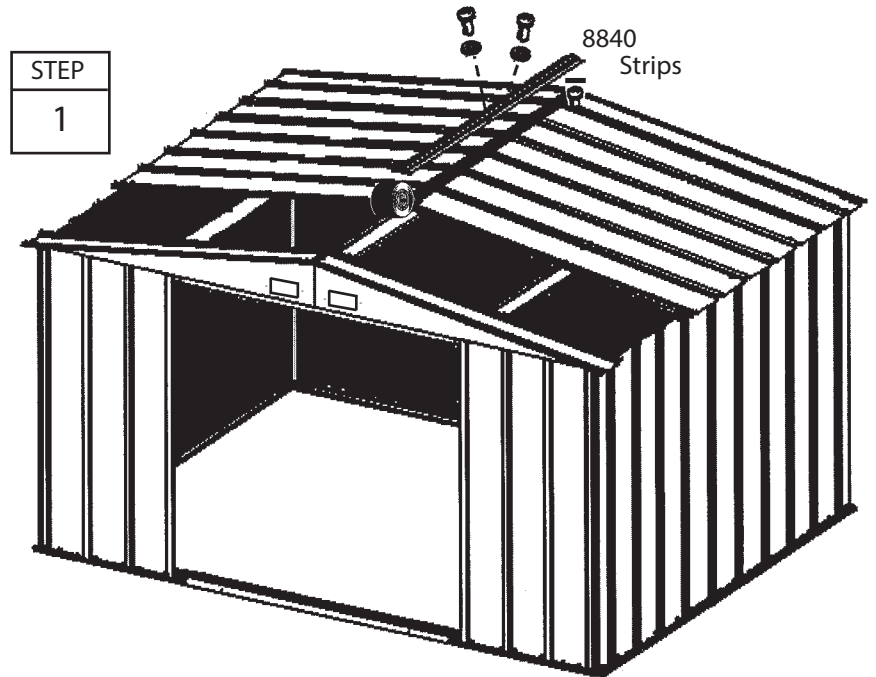
Parts Needed For Ridge Caps & Panels

8840 Ridge Cap (1)
9978 Roof Panel (2)
8486 Ridge Cap (1)

1 Install the first ridge cap on the completed roof section using bolts and nuts. Fasten roof panel overlaps not used for ridge cap. Cover the head of bolt with the 2" (5,1 cm) piece of weather stripping tape. Do not fasten the ends of the ridge cap at this time.

2 Install the second ridge cap overlapping the first ridge cap while installing the remaining narrow roof panels. Continue weather stripping the ridge.

3 Fasten the lower end of the panels to the side wall angles using screws and washers. Use bolts and nuts through wall angle overlaps at the bottom of the panel.



Step 16

1W27

Parts Needed For Roof Trim

8485 Left Side Roof Trim (2)
8836 Right Side Roof Trim (2)
66847 Vent Gable (4)

1 Attach the right and left side roof trim to the lower end of the roof panels on each side of the building using screws at each panel overlap.

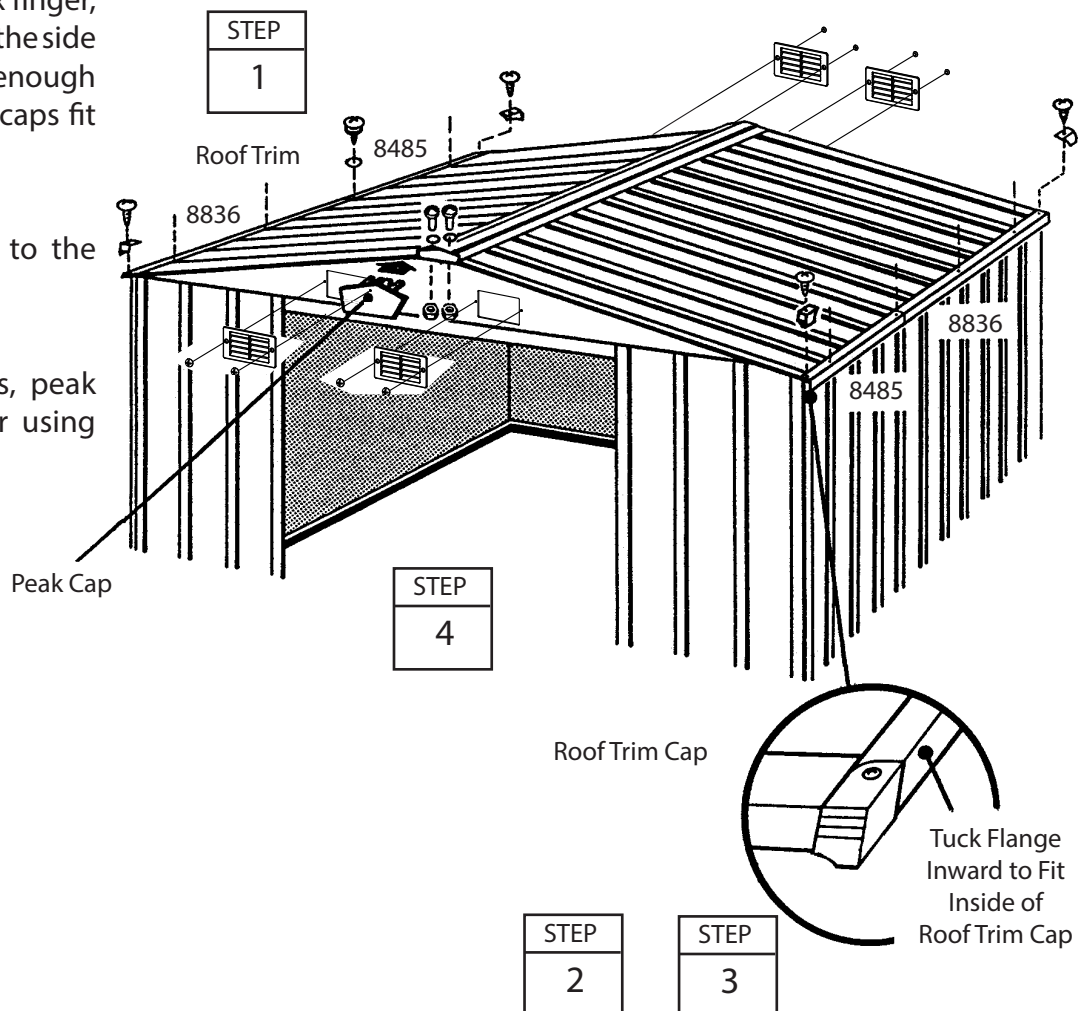
NOTE

A single screw fastens both trim pieces at the overlap.

2 Using your thumb and index finger, overbend the bottom flange of the side roof trim at the corner inward enough so the right and left roof trim caps fit onto right and left corners.

3 Fasten the roof trim caps to the side trim using a screw.

4 Fasten the roof panel ribs, peak caps and ridge caps together using bolts and nuts.



Step 17

BA30 ctr

Parts Needed For Door Assembly

10484 Right and Left Doors (2)
10498 Horizontal Door Brace (4)
6301 Vertical Door Brace (2)



The steps on this page tell how to assemble the right door. You will perform exactly the same procedures for the left door. Each bolt and screw in the door requires a washer. Proceed as follows:

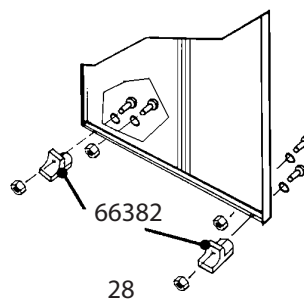
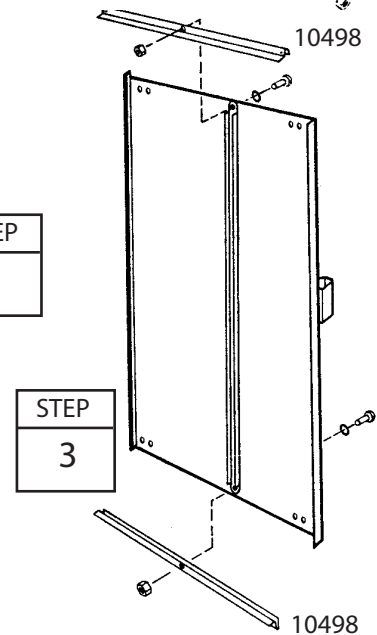
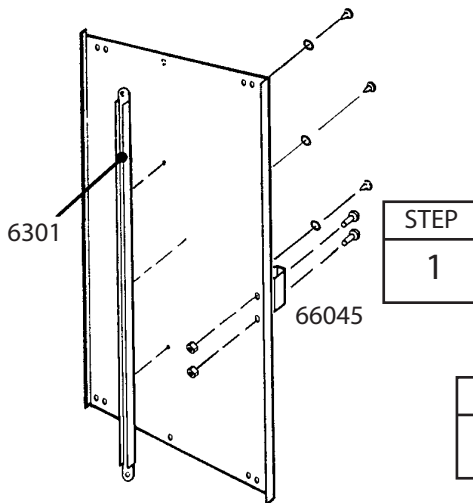
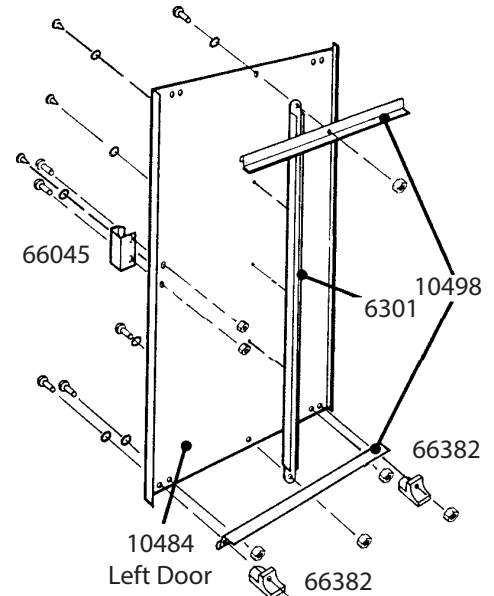
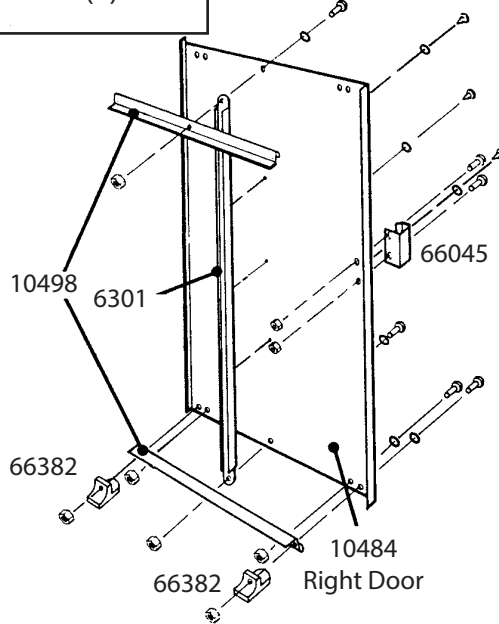
1 Attach the handle to the door with 2 bolts and nuts as shown.

2 Hold the vertical door brace against the center of the inside surface of the door and turn the screw to hold the vertical door brace in place. Fasten to door above and below center connection using 2 screws.

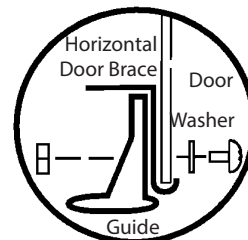
3 Put a horizontal door brace onto the top edge and bottom edge and fasten with 1 bolt in the center.

4 Attach the lower door guides and bolts as shown.

5 Repeat steps 1 through 4 for the left door.



END VIEW
SHOWING:

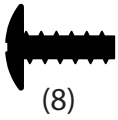


Step 18

P31 ctr

Parts Needed For Door Installation & Adjustment

Right Door Assembly (1)
Left Door Assembly (1)



(8)

1 From inside the building, put the bottom of the right door assembly (on your left when you are inside the building) behind door jamb into the front frame track.

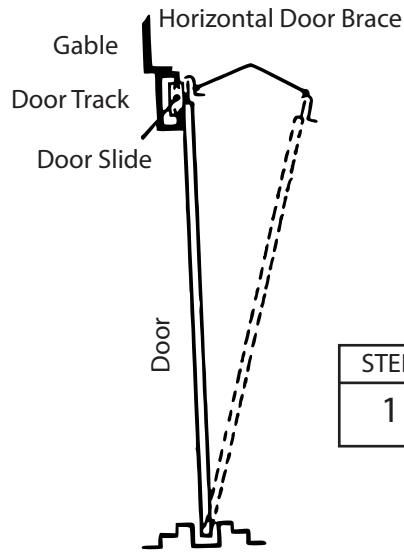
2 Position the top of the door so that the holes in the door line up with the holes in the door slides.

3 Fasten the door to the door slides using two #10Bx1/2" (13 mm) screws per door slide.

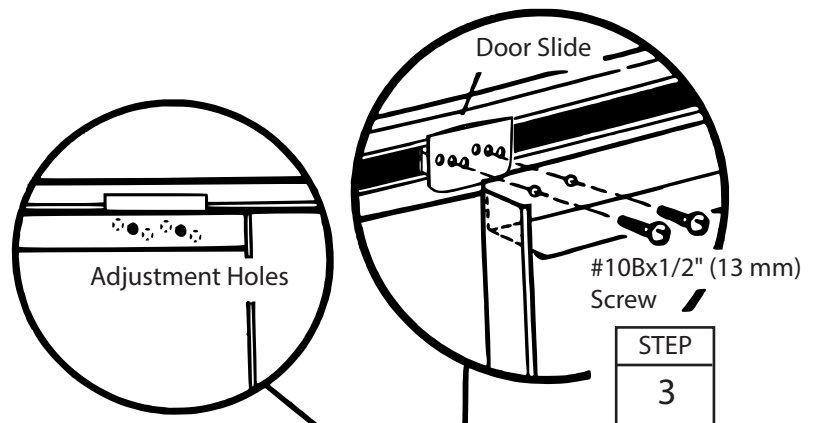
NOTE

The holes in the door slides allow you to adjust the doors. Place the door in the middle holes.

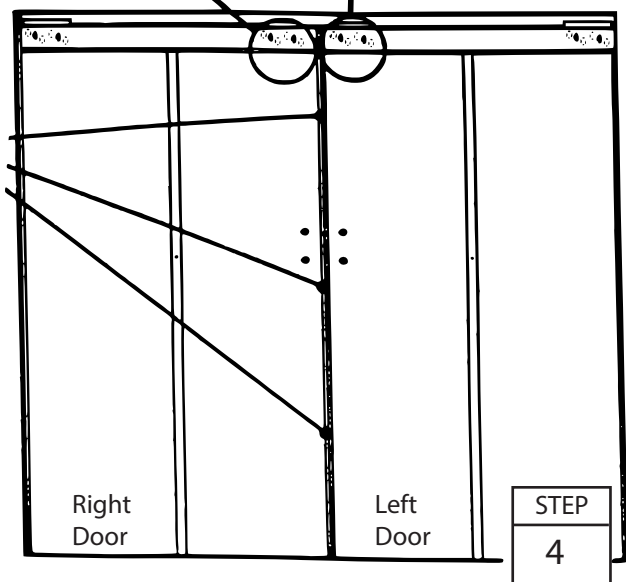
4 Repeat steps 1 through 3 for the left door.



Front Floor Frame Assembly



Adjustment Holes Allow Doors to Meet Evenly Along Their Length



Keep this Owner's Manual and Assembly Instructions for future reference.

SOME FACTS ABOUT RUST

XA35

SOME FACTS ABOUT RUST

Rusting is a natural oxidizing process that occurs when bare metal is exposed to moisture. Problem areas include screw holes, unfinished edges, or where scrapes and nicks occur in the protective coating through normal assembly, handling and use. Identifying these natural rusting problem areas and taking some simple rust protection precautions can help to stop rust from developing, or stop it quickly as soon as it appears.

1. Avoid nicking or scraping the coating surface, inside and out.
2. Use all the washers supplied. In addition to protecting against weather infiltration, the washers protect the metal from being scraped by the screws.
3. Keep roof, base perimeter and door tracks free of debris and leaves which may accumulate and retain moisture. These can do double damage since they give off acid as they decay.
4. Touch up scrapes or nicks and any area of visible rust as soon as possible. Make sure the surface is free of moisture, oils, dirt or grime and then apply an even film of high quality touch-up paint.

RGB88ONEU □

RGB88FGEU □

IW32

Anchoring

Anchoring

Anchor your building at this time.