

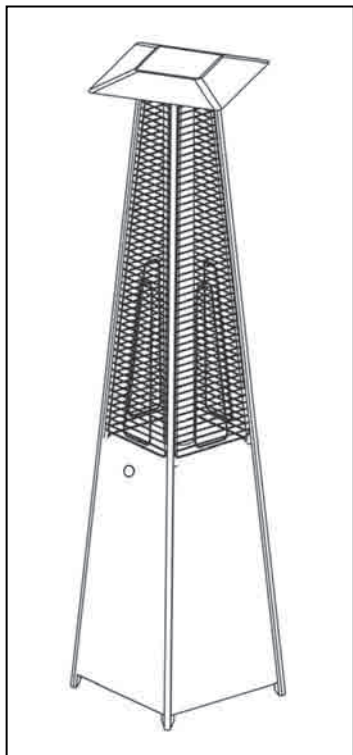
DANCOVER[®]

.com

Manual
Pyramid Heater

PH08-SSA Pyramid Heater

ASSEMBLY AND OPERATION INSTRUCTIONS



WARNING

Read this instruction before using this appliance. The appliance must be installed in accordance with the instructions and local regulations. The use of this appliance in enclosed areas can be dangerous and is PROHIBITED.

- Do the leak test after each changing LPG cylinder.
- Never check for leaks with a match or open flame
- Do not store or use gasoline or other flammable vapors and liquids in the vicinity of this appliance.

IF YOU SMELL GAS

- Close the valve of the gas cylinder or regulator.
- Extinguish all naked flames; do not operate any electrical appliances
- Check for leaks as detailed in this instructions
- If odor persists, contact your dealer or gas supplier immediately

**FOR OUTDOOR USE ONLY.
KEEP THE INSTRUCTIONS FOR FUTURE REFERENCE**

DO NOT USE THE HEATER WHEN IT IS RAINING AND DO NOT LET ANY LIQUID COME INTO CONTACT WITH THE GLASS TUBE WHEN THE HEATER IS IN USE.

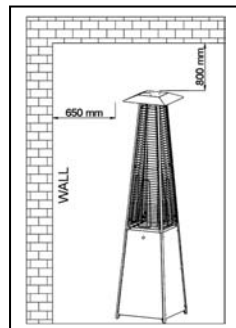
PRECAUTIONS

THIS APPLIANCE OUTDOOR USE ONLY

- Check the hose before each use.
- Disconnect the gas cylinder before moving the heater.
- Do not attempt to alter any parts.
- The appliance should not be used in basements or below ground level.
- It must always be placed on a solid and level surface.
- Only use a regulator that is suitable as provided.
- Do not clean the heater with cleaners that are combustible or corrosive.
- Do not paint protection guard, control box or reflector.
- The LPG gas cylinder valve should be turned off when the heater is not in use.
- Don't use the heater when it is raining, and do not let any liquid splash to the glass tube when the heater is working.
- Keep the children away from the heater.
- Do not move the appliance when in operation.
- After a long break of operation, the gas parts in the control box of the heater and the hose should be inspected for spiders, spider webs or other insects.
- Check the heater immediately if any of the following exists:
 1. There is smell of gas.
 2. The burner makes popping noise during use (a slight popping noise is normal when the burner is extinguished after use).
- If you smell gas, turn off the valve immediately. If smell persists, contact the dealer or gas supplier immediately.
- Children and adults should be aware of the high surface temperature hazard, and should keep a safe distance away.
- Keep the ventilation opening of the cylinder enclosure free and clear of debris.
- Do not obstruct the ventilation holes of the cylinder housing.
- The tubing or the flexible hose must be changed within the prescribed intervals.
- Use only propane gas
- In case of strong wind, particular attention must be taken against the heater tilting to one side..

APPLIANCE LOCATION

- Always maintain proper clearance from combustible materials, i.e. top 800mm and sides 650mm minimum.
- THIS APPLIANCE OUTDOOR USE ONLY

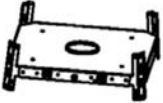
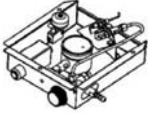
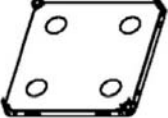
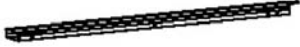



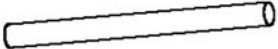

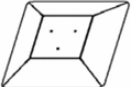


LEAK TEST



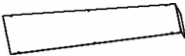

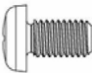



Gas connections on the appliance are leak tested at the factory prior to shipment. Possible mishandling of the appliance during the shipment might contribute to product integrity as a whole. A complete gas leakage test must be performed again at the installation site. Please follow the procedure below for leakage test.

- Make a soap solution of one part liquid detergent and one part water. The soap solution can be applied with spray bottle, brush or rag. Soap bubbles will appear where a leak is present.
- Make sure the control tap is in the "OFF" position (full disk = ●) on the control panel.
- Turn on the gas supply and check for bubbles from the hoses and connections. Presence of bubble means that a leak path is present.
- If a leak is present, turn OFF the gas supply immediately, tighten any leaking fitting carefully, turn gas again and recheck.
- Never leak test while smoking.

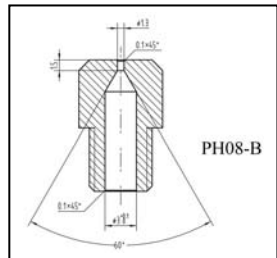
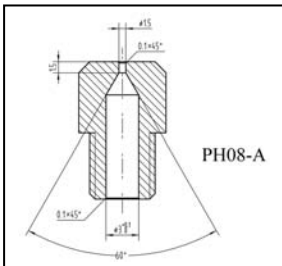
PARTS LIST-1

Part NO.	Part Name	QTY	Picture	Remarks
1	Middle Plate	1		
2	Control Box	1		Preassembled in the Middle plate
3	Bottom Plate	1		
4	Lower Support	4		
5	Upper support	4		
6	Upper Plate	1		
7	Plate cover	1		Preassembled in the Middle plate
8	Glass tube	1		One more spare glass tube is provided
9	Damper	1		Preassembled in upper plate
10	Reflector	1		

PARTS LIST-2

Part NO.	Part Name	QTY	Picture	Remarks
11	Lower protection guard	4		
12	Fixing bracket	4		
13	Side panel	3		
14	Front panel	1		A chain is preassembled in this panel
15	Screw M3/16"	66		All preassembled in relative parts
16	Knob	1		
17	Chain	1		Preassembled in the front panel
18	AA battery	1		Optional part

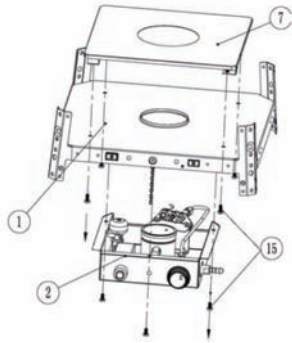
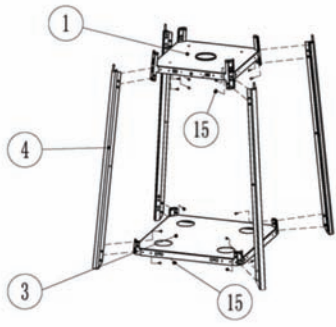
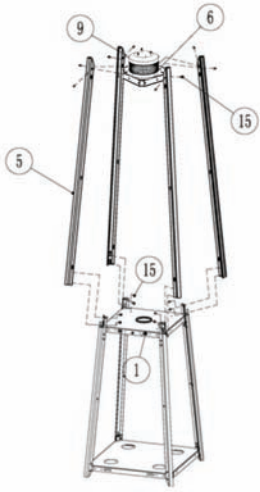
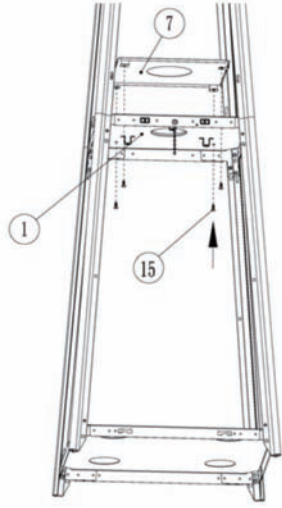
INJECTOR

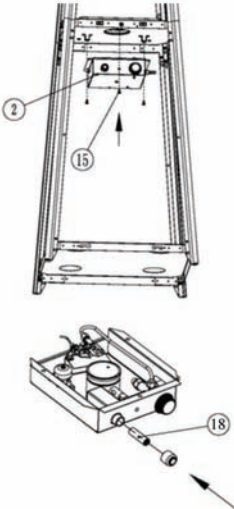
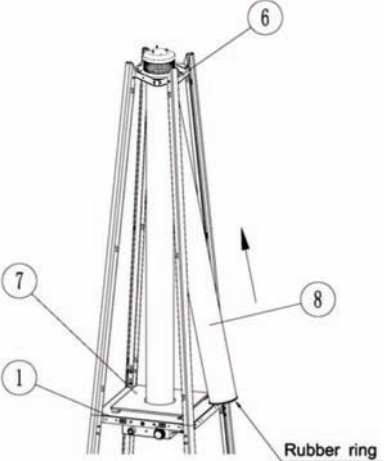
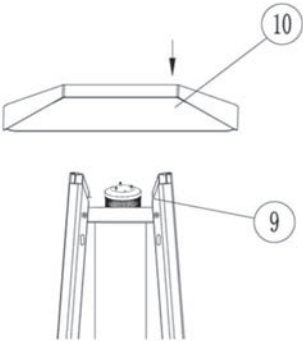
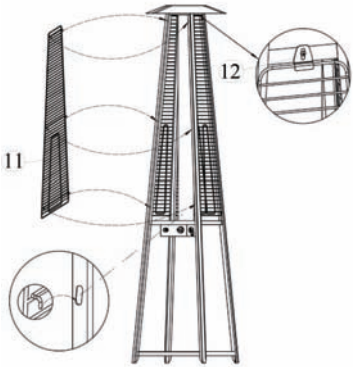


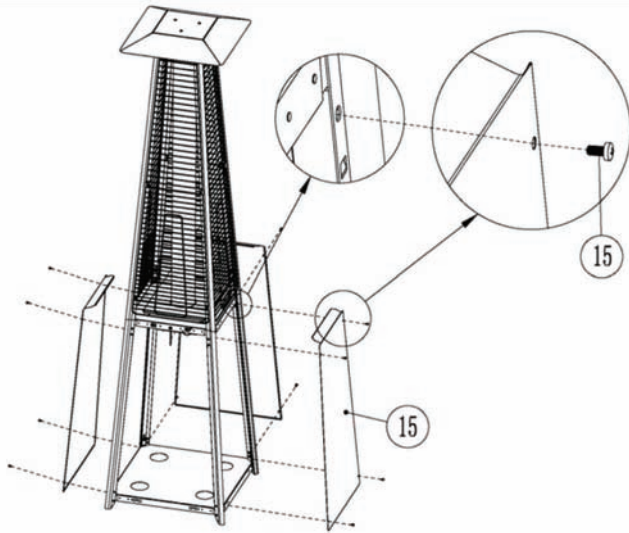
HEATER ASSEMBLY

Tools Required:

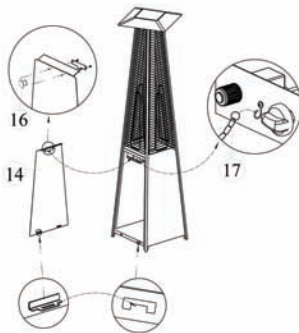
1 Phillips head screwdriver, 1 adjustable spanner

	
<p>1. Take the control box(2) and the plate cover(7) out off the middle plate(1) by unscrewing the screws(15)</p>	<p>2. Connect and fix the 4 lower supports(4) to bottom plate(3) and middle plate(1) with the screws(15)</p>
	
<p>3. Connect the 4 upper supports (5) to the lower supports (4) and fix with 4 screws(15), then fix the upper plate(6) to 4 upper supports(5) with screws(15).</p>	<p>4. Fix the plate cover(7) onto the middle plate(1) with screws(15).</p>

	
<p>5. Install a AA battery(18) into the control box, then, fix the control box(2) underneath the middle plate(1) with screws (15)</p>	<p>6. Carefully put the glass tube(8) up through the centre hole in the upper plate(6), Make sure the rubber ring is attached to the lower end of the glass tube(8). Move and sit the glass tube(8) through the hole of the plate cover(7) on the middle plate(1), check and ensure that the glass tube(8) cover the centre hole of the middle plate(1)</p>
	
<p>7. Fix the reflector (10) onto the damper (9).</p>	<p>8. Attach the protection guards (11) onto the frame by placing its hooks into the holes of the frame. Fix the guards with the fixing brackets(12)</p>



9. Fix 3 side panels (13) with the screws (15).
 Note: Do not cover the side where the control knob is.



10. Screw the knob (16) onto the front panel(14), attached the connector back the front panel, screw them together with 2pcs M4X8 bolts, hook the chain(17) to the hole in control box, then close the panel to the middle plate ,the panel is attracted by the magnets.

Tips: the chain can hold the panel while operating the control



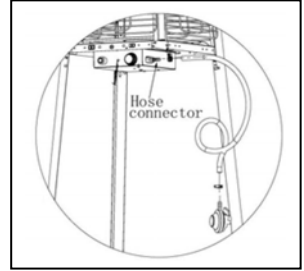
Completed

OPERATION

Preparation:

You will need to purchase a LPG cylinder. You need a suitable size LPG cylinder that can be installed to the compartment. You have to use pressure regulator with an outlet pressure to comply with the appliance category.

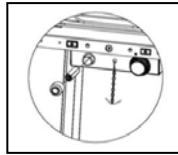
Connect the hose to the hose connector in the control box



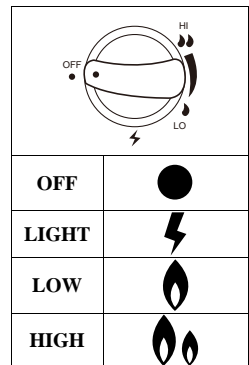
Warning:

- Never use the heater while it is raining, the glass tube will break.
- The glass tube will be extremely hot when it is working, never try to touch it and keep children away from the heater.
- Always ensure the heater is seated firmly, the glass tube may break if the heater falls.
- Never use the heater if the glass tube has any crack or damage.

LIGHTING INSTRUCTIONS



- 1.Ensure that the control knob is **OFF**. Slowly open the gas cylinder valve.
- 2.Press and turn the control knob to **LIGHT** position, push the igniter to generate spark while keeping control knob pressed in.
- 3.Check for the pilot flame through glass tube. If pilot does not light, turn control knob to 'OFF' position, wait two minutes minimum and try again. Several attempts may be necessary.
- 4.If the pilots alight, keep the control knob pressed for 15 seconds then turn the control knob to 'LOW' .
- 5.For maximum heat turn control knob to 'HIGH'.
- 6.To turn heater off, turn control knob to 'OFF'.
- 7.Close the valve of the gas cylinder or the regulator after use.



CLEANING/MAINTENANCE/STORAGE

CLEANING AND MAINTENANCE:

To enjoy outstanding performance of your heater for years make sure to perform the following maintenance activities on a regular basis:

- Keep exterior surfaces clean.
 - Use warm soapy water for cleaning. Never use flammable, corrosive or abrasive cleaners.
 - While washing your unit, be sure to keep the area around the burner and pilot assembly dry at all times. If the gas control is exposed to water in any way, do NOT try to use it. It must be replaced.
- After a long break from operation, the unit should be inspected for spiders, spider webs or other insects.
- Air flow must be unobstructed. Keep controls. Burner and circulating air passageways clean. Signs of possible blockage include:
 - Gas odour with extreme yellow tip to the flame.
 - Heater does NOT reach the desired temperature.
 - Heater glow is excessively uneven.
 - Heater makes popping noises.
- Spider and insects can nest in burner or orifices. This dangerous condition can damage heater and render it unsafe for use. Clean burner holes by using a heavy-duty pipe cleaner. Compressed air may help clear away smaller particles.
- Carbon deposits may create a fire hazard. Clean reflector and glass tube inside with soapy water if any carbon deposits develop. Always be careful when cleaning the glass tube.

STORAGE:

Between uses:

- Turn the control knob to “OFF” position.
- Turn LPG cylinder to “OFF” position.
- Store heater upright in an area sheltered away from weather (such as rain, sleet, hail, snow).
- If possible, cover the heater to protect exterior surfaces and to help prevent dust and debris collecting in air passages.

During periods of extended inactivity or when transporting:

- Turn the control knob to “OFF” position.
- Disconnect LPG Cylinder and move to a secure, well-ventilated location outdoors. DO NOT store in a location that will exceed 50 degrees C.

WARNING

FOR YOUR SAFETY:

- DO NOT touch or move heater for at Least 45 minutes after use.
- Allow all burner elements to cool before Touching.

NOTE

- In a salt-air environment (such as near an Ocean) corrosion occurs more quickly than normal.
- Frequently check for corroded areas and Repair them promptly.
- Wait until heater is cool before covering.

Contact information

Head office:

Dancover A/S
Nordre Strandvej 119 G
3150 Hellebæk
Denmark

For more information
please visit:
www.dancovershop.com

National contact

Denmark:
denmark@dancover.com

UK:
uk@dancover.com

Germany:
germany@dancover.com

France:
france@dancover.com

Sweden:
 [sverige@dancover.com](mailto: sverige@dancover.com)

Finland:
suomi@dancover.com

Poland:
polska@dancover.com

Luxembourg:
luxembourg@dancover.com

Spain:
espana@dancover.com

Italy:
italia@dancover.com

Switzerland:
schweiz@dancover.com

Austria:
austria@dancover.com

Norway:
norge@dancover.com

Nederland:
nederland@dancover.com

Ireland:
ireland@dancover.com

Belgium:
belgique@dancover.com