



LUXEVA

Instruction Manual **EN**

Dear Customers,

Congratulations on purchasing this equipment. Please read this user guide carefully and pay attention to the tips below to avoid damage. Malfunctions caused by ignoring the points to be considered in the user guide and the items listed are not covered by our warranty and are not our responsibility.

Our aim is to ensure that you use this product, which has been produced in our modern facilities in accordance with the total quality understanding, in a meticulous working environment, without harming the nature, with the best efficiency.

We recommend that you read the user manual carefully before using your heater and keep it permanently so that the heater you have bought can preserve its first day features for a long time and serve you in the most efficient way.

NOTE:

This user guide has been arranged for more than one model. Some features described in the user guide may not be included in your device. Pay attention to these features.

CONTENTS

Safety Instructions	4
Technical Features	7
Installation Instructions	8
Assembly Instructions	9
Overview	13
Remote Control and Functions	14
Heater Functions	17
Heater Control with Smart Phone (Option)	18
Cleaning and Care	21
Tips About Disposing	22
Solutions for Problems	22

PRODUCER

Luxeva Ev Gereçleri San. Tic. Ltd. Şti.

SAFETY INSTRUCTIONS

THESE INSTRUCTIONS MUST BE READ CAREFULLY AND STORED FOR REFERENCE WHEN NECESSARY.

No responsibility is accepted for any damages that may occur as a result of not following the instructions in this user manual.

When using electrical appliances, basic safety precautions should always be followed, including the following instructions, to reduce the risk of fire, electric shock, and personal injury:

- Use this heater only as described in this manual. Other uses not recommended by the producer may cause fire, electric shock, or personal injury.
- Heater is always hot during use. For this reason, no part of the heater should be touched during use. Also, the heater should not be left unattended during use.
- **CAUTION:** If your heater is controlled by the mobile application and the heater is not within sight, please do not control it from the mobile application. Otherwise, you may cause danger in situations that are not visible to the eye (fall of the heater, the approach of a flammable object, etc.).
- **CAUTION:** Use of the heater without it being within sight is dangerous and prohibited.
- **CAUTION:** If your heater is controlled by the mobile application, a warning text will appear on the mobile application when the heater has fallen. In this text, it is mentioned that the heater has fallen and poses a danger in terms of use. When you encounter this warning, be sure to check your heater. To start your heater, you must unplug the power cord and plug it back in.
- **CAUTION:** Since this heater will be extremely hot during use or immediately after it is turned off, it may cause unwanted burns. Particular attention should be paid to places where children, people with psychological disorders, and people with understanding disorders are present.
- Curtains, furniture, wood, cardboard, paper, clothes, fabrics, pillows, beds, blankets and any flammable materials, living things, and other devices should be at a minimum distance of 1.5 meters from the heater.
- This heater is not intended for use by persons (including children) with physical, sensory, or mental disabilities or inexperience and/or lack of experience. These people can only use this heater under the supervision of a person responsible for their safety or if they have been instructed on how to operate the heater.
- Power cord should always be unplugged if the heater is not being used.
- Check the power cord and plug regularly for abrasion or damage. Do not operate the heater with a damaged power cord or loose plug. Never operate if the heater is malfunctioning, dropped, or damaged in any way. Consult your dealer.
- Do not move the heater while it is being used.
- Do not change and/or try to change any parts of this heater.
- This heater is not designed to be used in bathrooms, laundry areas, and similar places.
- The heater should not be installed above a bathtub or a place full of water it might fall into.
- The heater should not be exposed to outside weather conditions for a long time.
- Do not touch the power cord or the plug head with wet or damp hands.
- Do not pass or cover the heater cable under materials such as carpets, rugs. Do not run the cable under furniture or appliances. Place the cable where nobody can trip, keep it away from crowds.
- Do not wrap the power cord around the heater.
- Avoid using extension cords to prevent overheating. Otherwise, it may cause a fire. If you need to use extension cords, make sure it is suitable for the heater.
- It is recommended to use the heater in installations with leakage current and over current relays.

SAFETY INSTRUCTIONS

- Make sure the heater is properly grounded throughout the main network. Use only properly grounded outlets.
- To unplug the power cord of the heater, turn off the heater, grasp the plug and unplug it from the outlet. Do not pull on the heater cable. When turning the heater off, use the off button, then unplug the plug.
- Do not allow foreign objects to enter ventilation openings as they may cause electric shock or fire or damage the heater.
- Never reach out your hand or any object from the body of the heater to the inside of the heating element. Do not touch the heater and plug immediately after use. It may cause burn, fire, or electric shock.
- **WARNING:** To reduce the risk of fire, keep textile products, curtains, or other flammable materials at least 1 meter away from the air outlet.
- To prevent potential fire, do not block the air intake. Do not cover the heater as it may cause overheating. Do not use the heater for drying clothing, etc. Do not use the heater to warm up animals, plants, or any object. Do not use the heater on soft surfaces that may block the openings (pillows, beds, etc.).
- There are parts inside the heater that can release heat, arc, or sparks. Do not use in areas where gasoline, paint, or flammable liquid, flammable dust is used or stored.
- Always plug heaters directly into a wall outlet. Never use an extension cord or a movable power connection (socket / multiple sockets).
- Do not place the heater under a socket. Otherwise, you may cause the socket-outlet to become hot and cause a fire.
- Before turning on the heater, check whether the voltage indicated on the product label is suitable for the local grid voltage.
- Make sure that the heater is always plugged into a tested outlet that is suitable for outdoor use.
- The heater must be installed by an authorized person so that switches and other controls cannot be touched.
- This heater is intended for home use only and should not be used commercially for contractual purposes.
- Any alternative use not recommended by the manufacturer may cause fire, electric shock, or personal injury.
- Be careful not to make any additional material (cable, plug, etc.) on the heater.
- You should not control the heater with a programmer, timer, separate remote-control system, or any other device that automatically turns on the heater. If the heater is toppled, covered, or improperly placed when used remotely, it may cause a risk of fire.
- Do not install the heater directly below a fixed socket or junction box.
- **CAUTION:** The body and front cover of the heater may overheat during use. Do not move the heater during use. First, wait until the heater has completely cooled down. Make sure the power cord is not plugged in. Then move it.
- Heating element should not be turned upwards while the heater is operating. It should always be facing the area to be heated.
- Make sure that flammable materials such as tents, flags, curtains, plastic foils, etc. do not get close to the heater due to wind or other environmental elements.
- **CAUTION:** Do not touch the heater while it is being used. It may cause some burns.
- In case of improper use, there is a risk of electric shock and/or fire hazard. In such cases, the heater should be turned off and the power plug should be removed immediately.
- Use the heater in well-ventilated areas where electrical outlets are easily accessible.
- Plug the Power cable into a 220-240V socket with the ground terminal. If the heater is suitable for 110V, connect the heater plug to a 110V socket with the ground terminal.

SAFETY INSTRUCTIONS

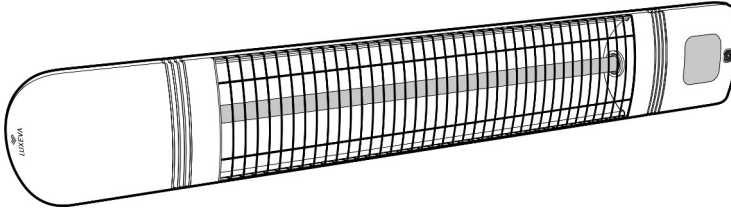
- Before starting to adjust its position or work on it, unplug the heater from the outlet and wait for it to cool before cleaning. Cleaning and user care can be done by adults and conscious people.
- Keep the heater out of the reach of children. To protect children from the dangers of electrical appliances never leave them alone with the heater. When choosing a place for your heater, set it so that children do not have access to the machine. Prevent children from playing with the heater. Keep pets away from the heater.
- The protective cage does not completely protect children or people without resistance. Check it carefully.
- If you are not sure about the safety of your heater, or if you are sleeping, never use the heater.
- In case of thunder or lightning, turn off the heater and unplug the power cord.
- Do not operate the heater if any damage or signs of malfunction occur spontaneously.
- Do not attempt to repair or adjust any electrical or mechanical function on this heater. The heater does not contain any user-serviceable parts. Please contact the service agent or a qualified electrician for maintenance and repair.
- **CAUTION:** If your heater is controlled by Wi-Fi or remote control, the fall safety of the heater detects all X-Y-Z axes. To use the heater by adjusting the angle you want, you need to adjust the angle while the power cord is not plugged in and then plug the power cord into the outlet. When the power cord is plugged in, the heater (regardless of the angle) accepts its location as the starting (zero) point.
- If the starting (zero) point of the heater is set incorrectly, remove the plug from the socket and readjust the position and angle of the heater. Then just plug it back in.
- **CAUTION:** There is a risk if you are not with your heater and your heater is connected to electricity. In such a case, if the heater is toppled, instant loss of electricity will cause the heater to detect its current position as a starting (zero) point. After that, starting the heater with your phone will create a risk. When you are not with the heater, a flammable object (living or not) may come in front or near the heater. If you are not sure that your heater is in a safe condition, do not control it remotely.

Notes About Repair

- Repairs should be done by authorized experts, thus ensuring electrical safety.
- When repair is required, contact the service agent or a suitable electrical representative contact.
- Improper repairs can endanger the user.
- Malfunctions/damages on the heater caused by alteration, accident, misuse, abuse, negligence, or improper maintenance are not covered by the warranty.
- In line with our policy of continuous product development, we reserve the right to change the technical specifications of the product and documentation without prior notice.

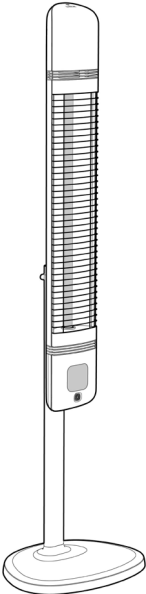
TECHNICAL FEATURES

WALL MODEL



	Dimensions(mm)	Max. Power Value	Voltage/ Frequency	Control	Protection Degree
SMARTY - WL	940x129x73	2500 W	220-240 V ~ / 50-60 Hz	Wi-Fi & Remote Control	IP 65
SMARTY - WL (for 110V)	940x129x73	1500 W	110 V ~ / 50-60 Hz	Wi-Fi & Remote Control	IP 65
PRO - WL	940x129x73	2500 W	220-240 V ~ / 50-60 Hz	Remote Control	IP 65
PRO - WL (for 110V)	940x129x73	1500 W	110 V ~ / 50-60 Hz	Remote Control	IP 65

FREESTANDING MODEL



	SMART - FR	SMART - FR (for 110V)	PRO - FR	PRO - FR (for 110V)
Dimensions(mm)	1410x350x280	1410x350x280	1410x350x280	1410x350x280
Max. Power Value	2500 W	1500 W	2500 W	1500 W
Voltage / Frequency	220-240 V ~ / 50-60 Hz	110 V ~ / 50-60 Hz	220-240 V ~ / 50-60 Hz	110 V ~ / 50-60 Hz
Control	Wi-Fi & Remote Control	Wi-Fi & Remote Control	Remote Control	Remote Control
Protection Degree	IP 65	IP 65	IP 65	IP 65

INSTALLATION INSTRUCTIONS



WARNING: Fire Hazard

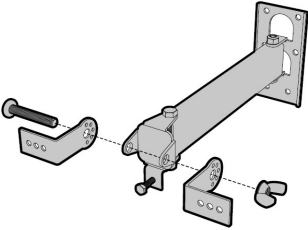
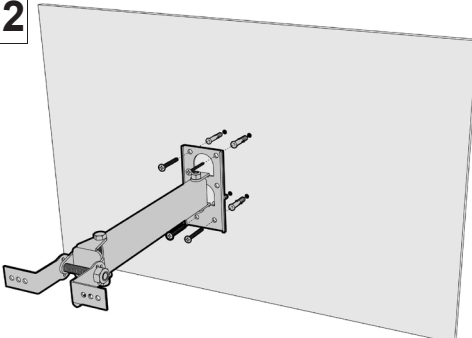
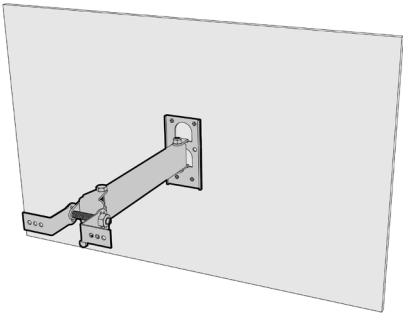
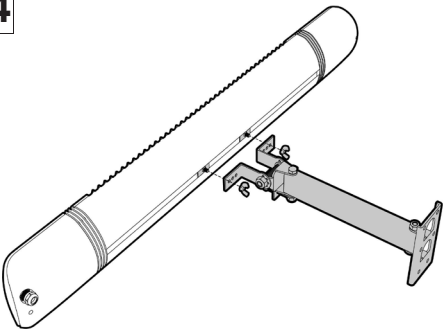
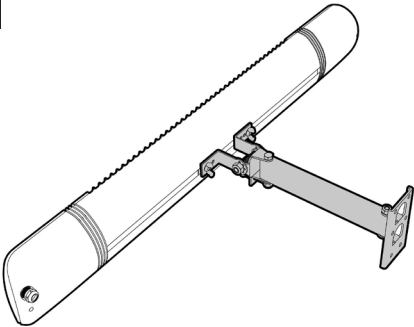
Do not install the heater close to objects such as curtains, wood, fabric, furniture, flammable materials, etc...

CAUTION: If your heater is controlled with a mobile application, it should be used in places with high Wi-Fi signal strength.

- This heater must be installed by a qualified electrician. The suitability of all connections and electrical wiring must be checked. Attention should be paid to the relevant regulations of power supply companies and regional construction regulations.
- Before and during installation, make sure the heater is unplugged.
- The heater can be mounted horizontally or vertically. When mounted vertically, the digital display should remain at the bottom.
- When installing on the wall or ceiling, the heater should be at a minimum height of 1.8 meters from the floor.
- When mounting the heater horizontally on the wall or ceiling, do not place it at an angle of more than 90 degrees or less than 45 degrees.
- If the installation angle of the heater is vertical or close to vertical, the power cord should always be below the heater.
- During the use of the heater, there is a certain temperature increase in the heater body. Therefore, never let the power cord touch the heater body. Keep the power cord away from the heater.
- Do not install the heater on the surface of flammable materials.
- When installing the heater, the distance between the heater and the surface of the flammable material should always be at a safe level. It should not go below the safe distance.
- The location of the heater must be at least 0,5 m away from the ceiling and the adjacent wall. There must be at least 0,5 m distance between the heater and the wall or any object from both sides.
- Check the electrical connections of your heater periodically.
- In the area where the heater will be installed, make sure there are no cables or water pipes inside the surface before drilling the surface.
- The heater must be mounted on the mounting apparatus provided by the manufacturer. Other mounting apparatus should not be used.
- Remove all packaging material. Check the heater's power cord and plug for signs of damage.
- Pay attention to the mounting location and all mounting materials (dowels, screws, etc.). Make sure that they are suitable and sturdy enough for the heater to be mounted and permanently held.
- Before installation, the minimum safe mounting distances, and inclination angles shown in the figures (in this booklet) must be strictly followed.
- Be careful not to add excessive load in the installation of the heater.
- First, fix the mounting bracket to a safe and solid wall. Make sure that the installation location and materials are sturdy and intact.
- Set the desired angle and tighten all screws securely. Check the connection of the screws regularly. Mechanical pressure or oscillation due to wind or rain can cause loosening in the screws.
- Plug in the power cord and run the heater with the remote control. Then check if the heater is working smoothly in the first 10-15 minutes.
- If your heater can be controlled with the mobile application, you can control it via Wi-Fi by watching the installation steps of the mobile application.

ASSEMBLY INSTRUCTIONS

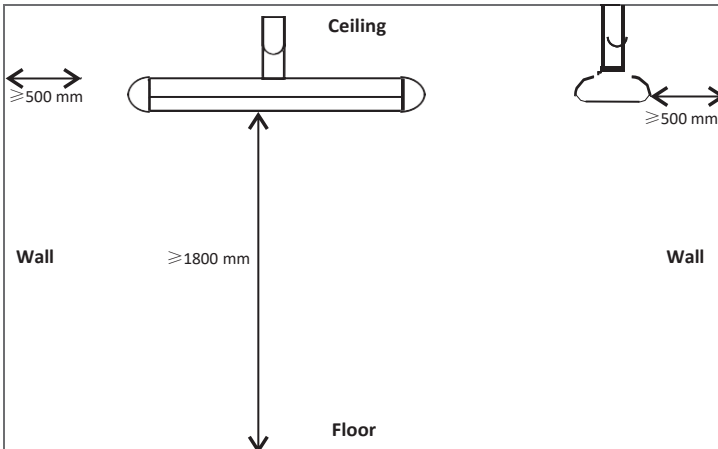
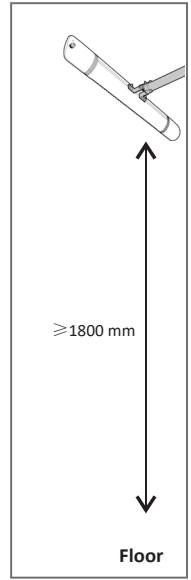
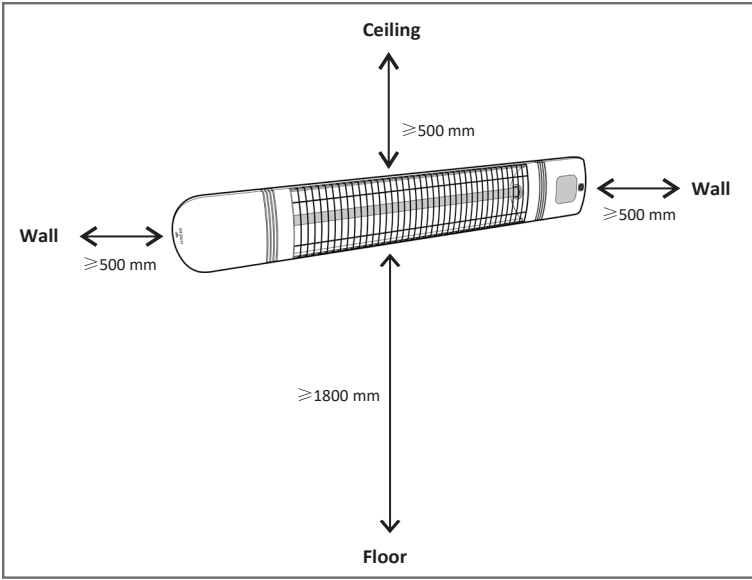
Wall Model Assembly

<p>1</p> 	<p>Remove 2 mounting bars from the mounting kit. Mount it to the hanging apparatus as shown in the figure, make sure that it is solid.</p>
<p>2</p> 	<p>3</p> 
<p>Remove the 2 mounting bars from the mounting kit. Mount it on the hanging bracket as shown in the figure, make sure it is solid. Remove dowels and screws from the mounting kit, drill four holes in the wall, mount the bracket to the wall. Make sure the hanging bracket is securely mounted.</p>	
<p>4</p> 	<p>5</p> 
<p>Remove screws and nuts from the mounting kit, keep them ready to connect to the heater. Connect the wall mounted hanging bracket to the heater as shown in the figure.</p>	

DESCRIPTION: This mounting apparatus is designed to turn right-left and up-down. With this feature, you can use your heater at your desired angle. The screws must be loosened to set the desired angle. Tighten the screws after setting your desired angle. However, you must comply with the specified safety distances (against walls, ceilings, and objects) also for angled use.

ASSEMBLY INSTRUCTIONS

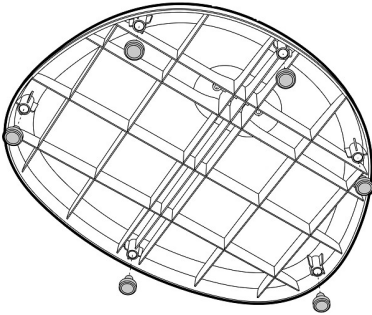
Wall Model Usage



ASSEMBLY INSTRUCTIONS

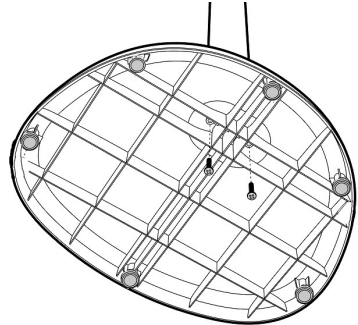
Portable Model Assembly

1



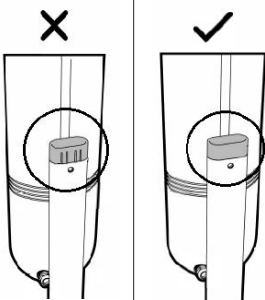
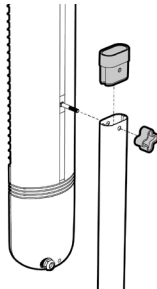
Remove the 6 silicone plugs from the mounting kit. Insert the silicone plugs into the empty holes as shown in the figure. In this way, the heater will sit more firmly on the floor.

2



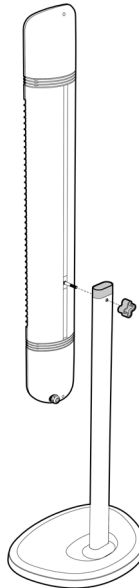
Remove the 2 screws from the mounting kit and the aluminum foot tube in the box. Insert the aluminum foot tube into the foot plate. Then insert the 2 screws into the holes in the figure. After tightening the screws, make sure the assembly is secure.

3



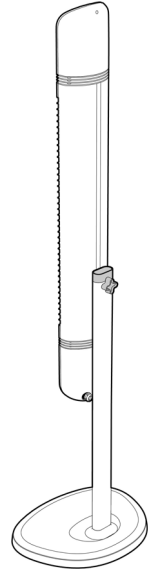
Remove the 2 plastic mounts from the mounting kit. Prepare to assemble as shown in the figure. The striped surface of the plastic part inserted into the foot pipe should be mounted towards the heater body.

4



Attach the relevant plastic part to the aluminum pipe. Then thread the mounting screw on the heater body through the aluminum tube.

5

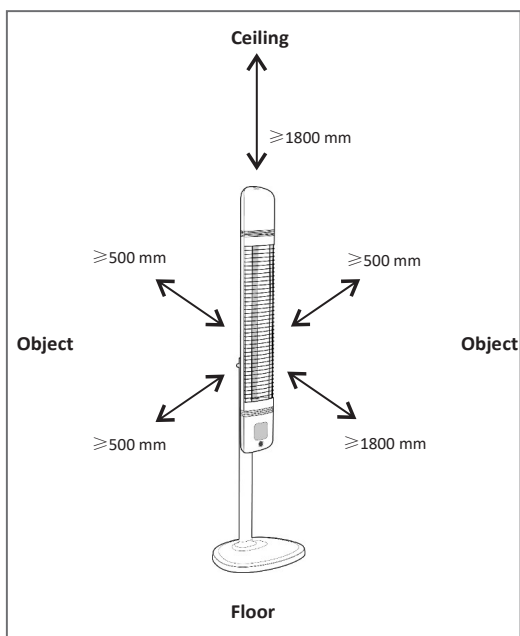


Tighten the screw through the aluminum tube with a plastic nut. Then check the stability and security of the assembly.

DESCRIPTION: This mounting apparatus has an adjustable feature. The angle adjustment should be made properly, and the angle and screw should be checked at certain times. While mounting, the digital display and cable should be mounted so that they stay at the bottom.

ASSEMBLY INSTRUCTIONS

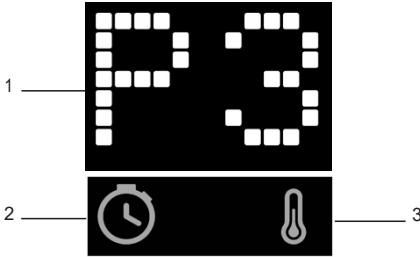
Portable Model Usage



1. Always leave at least 0.5 m of free space to the left and right of the heater.
2. There must be at least 1.8m of open space above the heater.
3. Do not put any obstacle closer than 1.8 meters to the front part of the heater.
4. Install the heater where the base is solid and flat. (the product cannot work on slopes)
5. Install the heater where people can see it.
6. For safety, observe the heater often.
7. Install the heater where users are present at all times and make sure that a fire extinguisher is available.
8. Do not install or use the heater in places with high temperatures.
9. Use the heater in places where outlets are easily accessible and with good air circulation.

OVERVIEW

DISPLAY



1- Digital Display:

It is the screen that indicates the values and warning signs on the program, thermostat, and timer screens.

2- Timer Icon:

It is the icon that warns by turning on a blue light when the timer is activated. The blue light is not lit when the timer is inactive. In addition, the timer icon blinks until the process is completed while the Wi-Fi reset is performed. When the process is finished, the timer icon turns off.

3- Thermostat Icon:

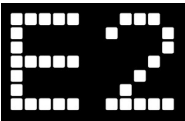
It is the icon that lights up red when the thermostat is activated and gives a warning. When the thermostat is passive, the red light does not light up.

CAUTION: The thermostat icon will light up for 5 seconds from the moment the heater is plugged in. This situation states that "Wi-Fi can be reset until the red light turns on, once the light turns off, the Wi-Fi cannot be reset."

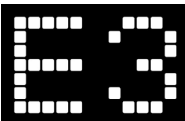
WARNING NOTIFICATIONS



The heater has overheating safety. In case of overheating, the heating level will first drop to P1. If the overheating continues again, the heater will warn and turn itself off. In the meantime, error information (E1) will be displayed on the heater screen. If it is controlled by a mobile application, a warning text will appear on the application screen. In such cases, definitely check the heater. Never control the heater remotely. You will need to unplug the power cord and plug it back in to restart the heater.



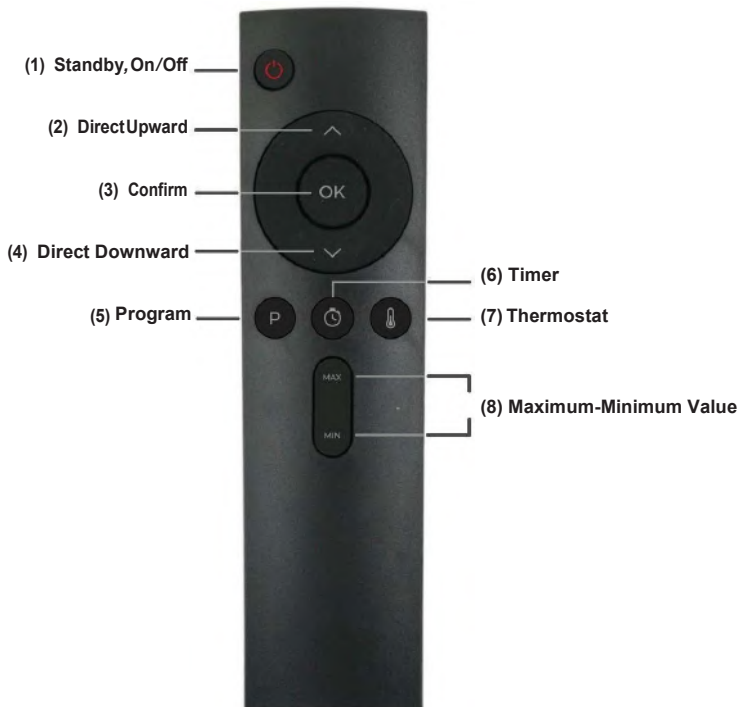
If the heater operates continuously for 12 hours, warning information (E2) will appear on the heater's display and the heater will turn itself off. In such cases, check your heater. Never control the heater remotely. You will need to unplug the power cord and plug it back in to restart the heater.



When the heater is toppled or shaken, warning information (E3) will be displayed on the heater screen and the heater will be turned off. If it is controlled by a mobile application, a warning text will appear on the application screen. In such cases, definitely check the heater. Never control the heater remotely. You will need to unplug the power cord and plug it back in to restart the heater.

REMOTE CONTROL AND FUNCTIONS

Overview



Battery Section



- Turn the remote towards the display while using it.
- The remote control may not work remotely when there is strong illumination or sunlight. In this case, use the remote control near the heater.
- When you choose a function with the remote control, be near the heater.
- When the remote control is not used for a long time, please remove the battery to avoid leakage and damage.
- Do not allow water or liquid to enter the remote control.
- Use 2 AAA size batteries in the remote control.

REMOTE CONTROL AND FUNCTIONS

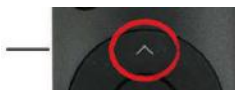
(1) Standby, On/Off

This button allows the heater to turn on and off (in all conditions).



(2) Direct Upward

This button increases the value to be set on the main screen, timer screen, and thermostat screen (with each press) 1 step up.



(3) Direct Downward

This button decreases the value to be set on the main screen, timer screen, and thermostat screen (with each press) 1 step down.



(4) Confirm

This button allows you to confirm the desired value to be selected on the thermostat and timer screens.



(5) Program

This button allows you to switch to the program screen. You can adjust the temperature level between P1-P2-P3-P4-P5-P6 by using the up-down arrow keys on the program screen.



REMOTE CONTROL AND FUNCTIONS

(6) Timer

This button moves the heater to the timer screen. When it is entered for the first time, "0H" is written on the screen.

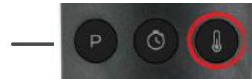
The timer can be set between 0H-1H -...- 9H values with the "OK" button with the up-down arrow keys. When the timer is active, a blue light will light on the screen. When you enter the timer screen again, the remaining time will appear in hours. In order to make a new adjustment, one of the up-down direction keys should be pressed, the desired hour value should be selected, and the "OK" button should be pressed. When the set time has elapsed, the heater turns itself off and gives a warning sound. To cancel the timer, you have to confirm the "0H" option.



(7) Thermostat

This button moves the heater to the thermostat screen. When you enter this screen for the first time, the number "24" will appear. This is a temperature value. Thanks to the up-down arrow keys, a temperature value between 18-37 °C can be set with the "OK" button. It will try to adjust the temperature of the environment where the heater is located in line with the set value. When the thermostat is active, a red light will light on the display. When the thermostat is active, a program setting can also be made. When your heater reaches the set temperature value, it turns itself down.

When the temperature falls 2 °C below the set value, it will continue to operate at the same program level. When the thermostat is active, the set value is displayed on the screen when it is entered. Again, a different value can be set with the up-down arrow keys. To cancel the active thermostat, it is sufficient to select the "XX" value before the "18" or after the "37" value.



(8) Maximum-Minimum Value

These buttons allow reaching the maximum or minimum value on each screen. When the "MAX" key is pressed, it reaches the highest value on the screen. When the "MIN" key is pressed, it reaches the lowest value on the screen. This function provides extra ease of use.



HEATER FUNCTIONS



WARNING: Personal Injury Hazard

This heater is not equipped with a room temperature control device. Do not use this heater in areas where people who are not able to leave the room on their own, unless there is constant supervision.

1. To start the heater, first adjust the body angle and its position properly. The moment the heater is powered, it accepts the position it's in as the 0 (zero) point. According to that, the falling safety turns on after a certain angle. To adjust the heater's 0 (zero) point, unplug the power cord. After that, when you have adjusted the proper position, plug the power cord back in. That way, the heater can work in proper positions and can turn its falling safety on when it's in improper positions.
2. You can turn the heater on with the function button on it or with the remote control. To turn the heater on or off with the remote, pressing the "On/Off" button is enough.
3. When you first open it, the screen will display "P1". This means "1. heating level". This screen is also named the "Program" section. The "P" button on the remote directs you to the "Program" section. While on this screen, you can choose from heating levels P1 to P6 with up and down buttons.
4. With the timer function, you can make adjustments to the timer for 1-9 hours. When the set time has expired, the heater will turn itself off and give a warning sound. When you enter the timer screen while the timer is active, you will first see the remaining time.
5. The heater can be used in thermostat mode by entering a temperature value between 18-37 ° with the thermostat function. When the relevant temperature value is reached, the heater operates itself at P1. After the temperature has dropped by 2 °, a cycle is entered to reach the old value again. While the thermostat is active, the last recorded temperature value will appear when you enter the thermostat screen for the first time.
6. The heater has falling protection. Before connecting the heater's power cable to the outlet, adjust the position and angle of the heater body well. Because from the moment you plug the plug into the socket, it will accept its location and angle as the starting point. To redefine the starting point of the heater, you will need to unplug it and plug it back in.
7. When you don't have the remote control, you can operate the heater via the function button on the body. When the heater has turned on, with each press of the function button, the heating level will increase by one. When you press the function button after reaching heating level P6, the heater will turn itself off.
8. The heater has overheating protection. In case of overheating, the heating level will dropdown to P1. If overheating still continues, the heater will give a warning and turn itself off. To turn the heater on again, you must unplug the plug and plug it in again.
9. If the heater continuously operates for 12 hours, it will automatically turn itself off and give a warning sound. To turn the heater on again, you must unplug the plug and plug it in again.

HEATER CONTROL WITH SMART PHONE

If you integrate your heater into the closest Wi-Fi connection, you can comfortably start and use it with the corresponding "Luxeva" application. "Luxeva" app allows you to control the heater remotely via your smartphone. It also gives you access to extra information. Follow these steps to connect your smartphone to your heater:

Application Installation

1. On your smart phone via the "App Store" or "Play Store" install the application called "Luxeva". You can also access the application by scanning the QR code on your smart phone.
2. Make sure your phone is on the same Wi-Fi connection that your heater will be connected to.
3. Open the "Luxeva" application.
4. If you have a registered account already, use the log in option, if not, continue with the "Register" option.
5. After creating your user information, keep a hold of them.
6. Complete the installation by following the instructions step by step in the application.



Adding Heater

1. After completing the application installation, you will see the "Add Heater" screen. You can proceed from this screen by clicking the "Add Heater" button.
2. If you are installing the heater for the first time, the Wi-Fi feature will be turned on automatically. Therefore, you do not need to consider the instructions in step 1. You can proceed with the "Next" button. However, if the heater is not installed for the first time, you need to turn on the heater's Wi-Fi feature by following the instructions in step 1.
The instructions for step 1 are on the screen. After following the instructions, you can proceed with the "Next" button.
3. In the following steps, you will be asked to have the cellular data of your mobile phone turned off and Wi-Fi and location services turned on. Otherwise, you cannot proceed to the other stages.
4. You will need to connect to the network named "LUXEVA SmartHeater" from the Wi-Fi network screen.
5. After the connection is established, you can connect by selecting the Wi-Fi network you want to connect the heater to from the Wi-Fi network screen that will appear on your screen.
6. After the connection is made, you will be able to start using your heater by being directed to the main screen.

HEATER CONTROL WITH SMART PHONE

Wi-Fi Resetting

1. When the heater is installed for the first time, the Wi-Fi feature will be turned on as soon as it is plugged in. After the first user connects, the Wi-Fi feature turns off. A Wi-Fi reset is required for a new user to connect to the same heater. Again, a Wi-Fi reset is required to change the Wi-Fi network your heater was previously connected to.
2. To reset the Wi-Fi, press and hold the button on the heater for 5 seconds as soon as you connect the heater to the socket (within 5 seconds). Blue light will flash on the heater screen. At the end of the 5th second, the blue light will turn on completely. If you then take your finger off the button, the Wi-Fi reset process will be completed.

"My Devices" Screen

1. You can see and manage the heaters you have added from this screen.
2. You can add a new heater by touching the "+" icon on this screen.
3. You can check and manage your account by touching the "My Account" icon on this screen.
4. You can reach the user manual of your heaters by touching the booklet icon on this screen.
5. The names, power levels, network connection status of the heaters can be followed on this screen.

"My Account" Screen

1. This screen contains information about yourself. You can change your name, surname, region, and account password.
2. You can prevent possible dangers and risks by activating the child lock feature.
3. You can also check the privacy agreement and application version.
4. If you wish, you can log out from this screen. If logged out, a new login will be required.

Heater Control Screen

1. It is the screen that helps you gain control by going into any registered heater.
2. From this screen, you can set the heater's power, timer, and thermostat. You can turn your heater on and off by touching the power icon.
3. You can observe the network connections of your heater with "Wi-Fi" and "Cloud" icons.
4. You can get information about the usage of the application by touching the information icon.
5. You can edit the settings related to the respective heater by touching the settings icon.

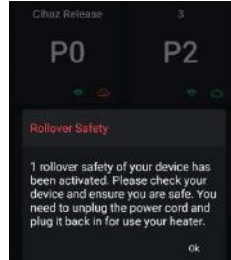
"Heater Settings" Screen

1. You can change the heater name from this screen.
2. You can check or change the Wi-Fi network your heater is connected to. You will need to reset the heater when changing the Wi-Fi network. You can do this by going to the "Add Wi-Fi" screen and following the relevant steps.
3. You can share the heater so that it can be controlled by other users. To do this, simply tap the "Share Heater" button and follow the steps.
4. You can delete your heater with the "Delete Heater" button. A new heater addition must be performed to reload the deleted heater.

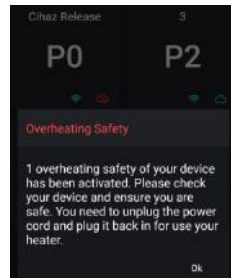
HEATER CONTROL WITH SMART PHONE

Warning Texts

1. If your heater is toppled or shaken, a warning text will be sent to your mobile application. In such a case, you need to check your heater for safety. However, never remotely control the heater. To use your heater, you must unplug the power cord and plug it back in.



2. If your heater overheats, a warning text will be sent to your mobile application. In such a case, you need to check your heater for safety. However, never remotely control the heater. To use your heater, you must unplug the power cord and plug it back in.



Solving Connection Problems

If your heater is not found in WLAN, check the steps below:

1. Check if the device is plugged in or not.
2. Is your smartphone's Wi-Fi feature enabled? If not, enable it.
3. Is your heater's Wi-Fi function enabled? If it is not enabled, try a new installation through the app. (Follow the instructions in the app)
4. Is the WLAN password entered correctly? If it is not entered correctly, try changing the Wi-Fi network to which the heater is connected in the Wi-Fi network change section. If the problem persists, reset your heater to start a new setup.
5. Is the Wireless Modem (Internet signal) nearby during the heater and smartphone connection attempt? If not, you should try at close range. (Ideally, it should be no more than 5 m apart.)
6. If you have disabled the 2.4 GHz band in your wireless modem (Wi-Fi) settings, enable your modem (Wi-Fi) settings.

NOTE: If you experience connection problems while the application is open or closed, you may need to check and renew your network connections. It is recommended to check regularly. For more help, follow the instructions in the app while setting up the connection.

CLEANING AND CARE

- Disconnect the heater from the power supply. To prevent burns, do not clean before cooling the heater! Make sure that the heating main body is clean and dry.
- The only thing that needs to be cleaned is the outer surface of the heater.
- Do not use strong abrasives or solvent cleaners when cleaning the heater, as this may damage plastic parts. Wipe the outside of the heater with a damp cloth.
- If dust or dirt has accumulated inside the heater or around the elements, have the heater cleaned by an authorized service agent. Do not operate the heater in this situation.
- When not in use, remove it from the mounting position and carefully store the heater in a safe, dry place out of the reach of children. If you are not going to use the heater for a long time in humid environments (such as seaside) or areas with high air salinity, clean, dry and store it in a safe package. Clean the heater completely after long periods of storage.
- Do not touch the heating element with your fingers, as fingerprints can affect the life of the heating element. If you touch it accidentally, wipe the fingerprints with a soft cloth with alcohol and dry them.
- Do not attempt to repair or adjust any electrical or mechanical function on this heater. There are no parts inside the heater that can be serviced by the customer.
- The heater does not contain parts that can be serviced by the user. If the product is damaged or defective, it must be returned to the manufacturer or its representative.
- Reflector (reflective mirror) and resistance should be checked for contamination by the user at least once a month. If it is dirty, cleaning and maintenance instructions should be followed.
- Depending on the dust content in the usage environment, the mentioned checks should be done more frequently.
- Power cord and plug should be checked while cleaning the device. If there is any deformation in the power cord or plug, it should be taken to the authorized service.
- While the device is being cleaned, deformation of the reflector, wire, and body should be checked visually. If there is deformation, the authorized service should be called to find out what to do.
- It is recommended to change the reflector every two years in order for the device to work more efficiently. The reflector should be replaced by an authorized service. The cleanness of the reflector ensures that the heating efficiency of the device is at the maximum level.
- If the reflector (reflective mirror) and resistance are dirty, the device should be cleaned with dry air from outside the protective mesh wire, if possible.
- The outer surface of the device should be cleaned with a soft cotton cloth or soft brush.
- Do not clean your device using steam cleaners.
- Keep the power cord away from water for protection against electric shock and life-threatening hazards. Do not let water or any other liquid come into contact with the plug or any part of the appliance.

TIPS ABOUT DISPOSING



According to the European waste regulation 2012/19/EU, this symbol on the product or its packaging indicates that this product should not be treated as household waste. Instead, it should be taken to the appropriate collection point for the recycling of electrical and electronic equipment. By ensuring this product is disposed of correctly, you will help prevent potential negative consequences for the environment and human health, which could arise from inappropriate waste handling of the product. For more detailed information about recycling of this product, please contact your local city office or your household waste disposal service.

Your product contains batteries covered by the European Directive. 2006/66 / EC cannot be disposed of with normal household waste. Please check the local rules on the separate collection of batteries. The correct disposal of batteries helps prevent potential negative consequences for the environment and human health.

Solutions for Problems

You can solve the problems you may encounter with your device by checking the following points before calling technical service.

Solutions

1. Check if the plug is correctly inserted into the socket.
2. When the error code appears on the screen, unplug the power cord and plug it back in to turn the heater on.
3. Check if your device is in balance. (Your device has balance safety.)
4. Check if the power switch, mobile application, remote control, and other functions of the device work properly and are open.
5. Check if there is a problem with the electrical installation of the house.
6. Make sure you follow the instructions for use correctly.
7. If the problem is not solved yet, apply to the nearest authorized service.



LUXEVA

www.luxeva.com.tr

CE