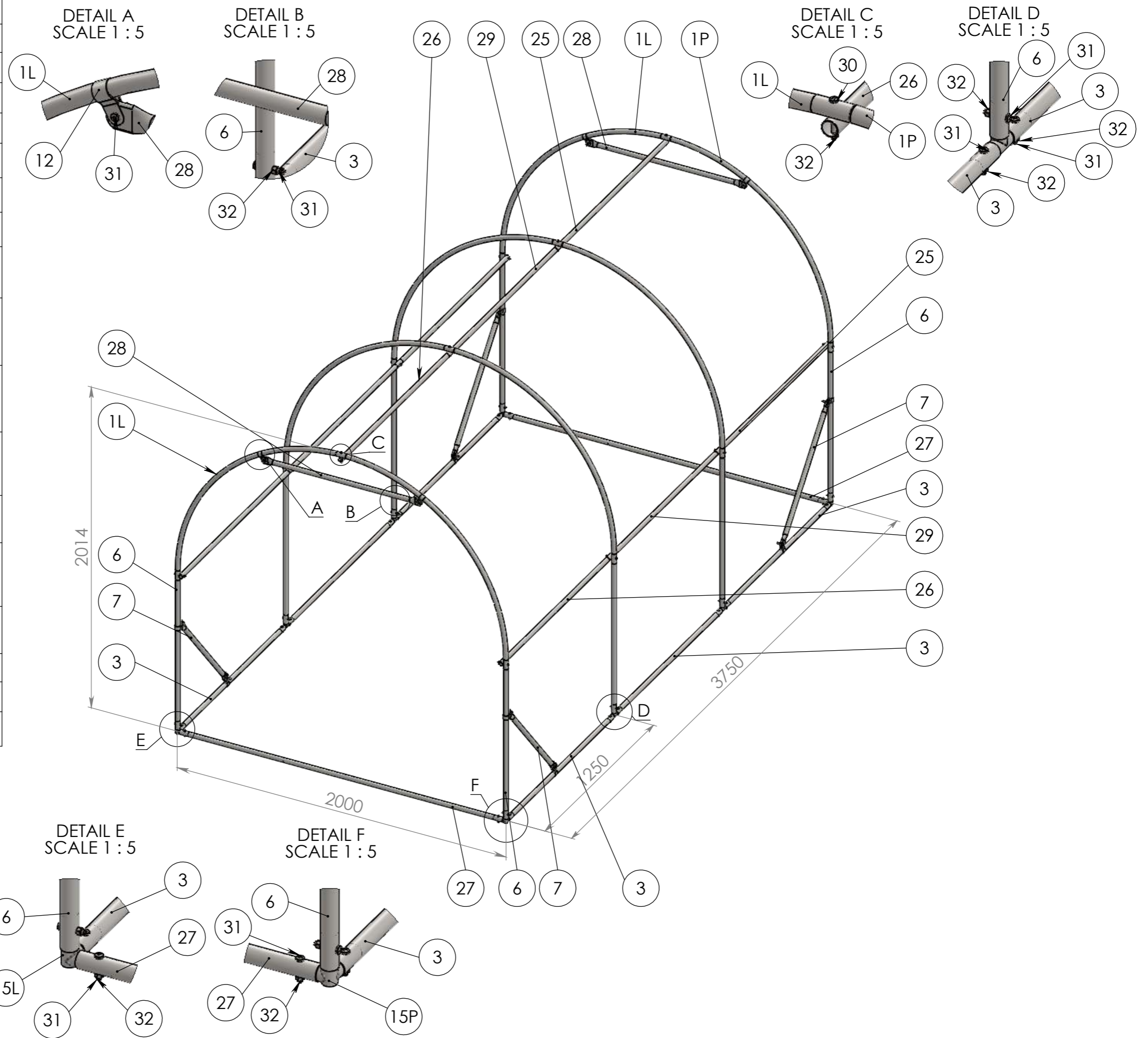


DANCOVER[®]

.com

Manual
for
Polytunnel Greenhouse
2x3,75x2m

Part no.	Description	Quantity
12	023_Clamp_025	12
1L	1L - Left arch - TFL	4
1P	1P - Right arch - TFL	4
6	6 - Post 940	8
15L	15L - Corner connector	2
15P	15P - Corner connector	2
14	14 - Middle connector	4
3	3 - Horizontal connector 121 cm	6
27	27 - Horizontal front connector 1970 - TFL	2
28	28 - Horizontal upper reinforcement 1065	2
26	26 - Longitudinal reinforcement with coupler - TFL	3
25	25 - Longitudinal reinforcement - TFL	3
29	29 - Longitudinal reinforcement with coupler - TFL	3
7	7 - Corner reinforcement 835	4
30	Bolt M6x60	12
31	Bolt M6x35	36
32	Nut M6	48



Contact information

Head office:

Dancover A/S
Lyngevej 16A, Nørre Herlev
3400 Hillerød
Denmark

For more information
please visit:
www.dancovershop.com

National contact

Denmark:

denmark@dancover.com

UK:

uk@dancover.com

Germany:

germany@dancover.com

France:

france@dancover.com

Sweden:

sverige@dancover.com

Finland:

suomi@dancover.com

Poland:

polska@dancover.com

Luxembourg:

luxembourg@dancover.com

Portugal:

portugal@dancover.com

Spain:

espana@dancover.com

Italy:

italia@dancover.com

Switzerland:

schweiz@dancover.com

Austria:

austria@dancover.com

Norway:

norge@dancover.com

Nederland:

nederland@dancover.com

Ireland:

ireland@dancover.com

Belgium:

belgique@dancover.com