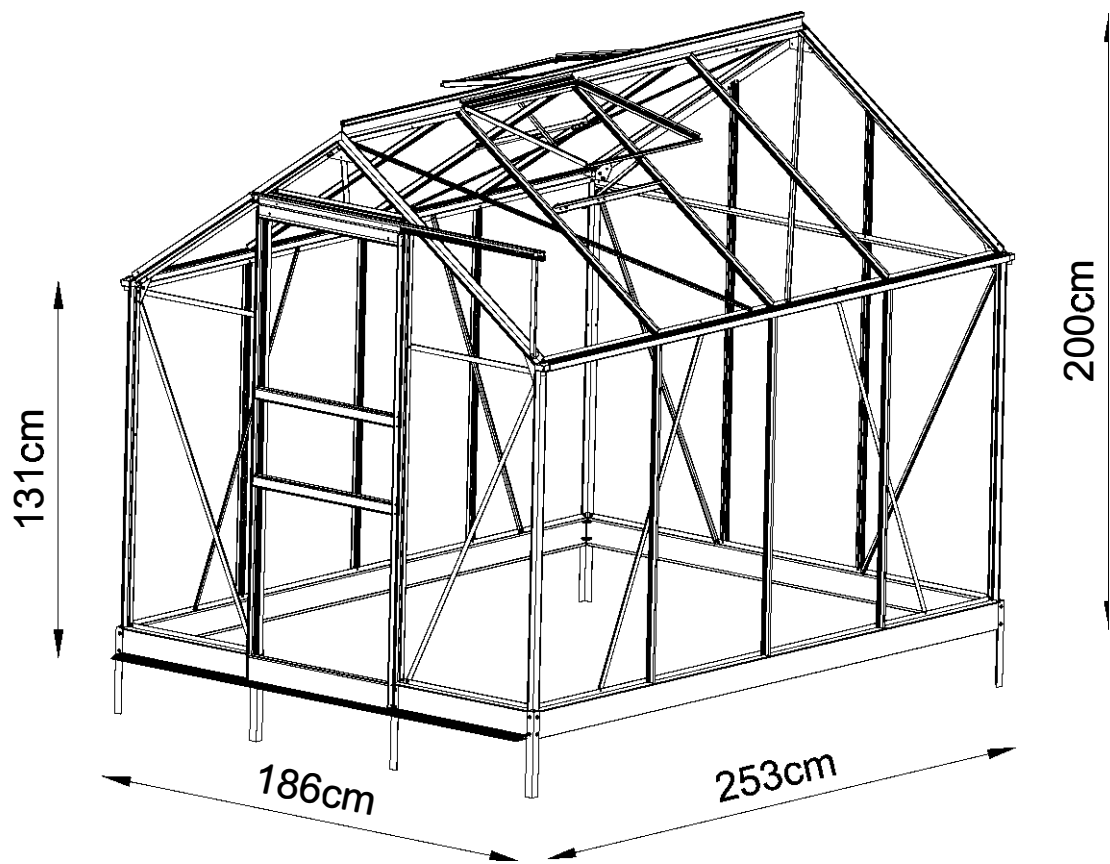


**DANCOVER<sup>®</sup>**



Manual  
for  
Greenhouse  
1,86x2,53x2m

# Greenhouse Assembly Instructions



Product Size(LxWxH): 253x186x200cm

## **Dear customer,**

Congratulations on the purchase of your new Greenhouse.

Please carefully read the following guide before commencing construction.

**Warning:** *Before undertaking any work on your greenhouse take all the necessary time to identify any possible hazards including underground and overhead power lines and underground water pipes etc.*

## **Site Selection.**

A sunny, unobstructed, north facing position that is sheltered from strong winds is best to maximize the potential of your greenhouse.

Your greenhouse should be placed on a flat and level surface. There are many foundation options that may suit your requirements. Greenhouses come with internal mounting options to suit most needs.

Access to water and/or electricity should be considered at an early stage and before solid foundations are laid. It is advisable to have enough access around your new greenhouse for both installation and maintenance.

## **Setting out.**

### **Securing directly to the soil.**

Assemble the aluminium frame and position (unglazed) onto proposed site prior to digging your post holes.

This will allow you to locate and to mark the exact position of post holes for anchoring.

Once you have marked your anchor positions move the glasshouse frame to allow the holes to be drilled/dug.

A minimum hole depth of 600mm and diameter of 200mm is recommended.

Once the anchor pegs have been attached to the base and corner brackets you can lift the greenhouse above holes and lower to ground level.

Once you are satisfied with the final position and you have ensured the frame is square, level and plumb concrete can be poured into anchor holes.

If preferred all holes can be dug using the internal measurements of the base as a guide. This is a more simple method although it is less exacting.

### **Securing to a solid base.**

Use the base plan supplied in the following instruction manual as a guide to build your solid base whether it be a timber, block or brick nib wall or a concrete slab etc.

Fixings are located internally and are located approximately 55mm inside of the 43mm aluminium base.

(To sit and fix on a wall would require a minimum width of 100mm).

## **Glazing.**

Once the aluminium frame is completed and in position glazing can commence.

Although all glass is toughened safety glass it should always be treated as dangerous and with caution.

Make sure the frame is free from debris before commencing.

Beware of wind at all times.

If resting panels during construction a leaning position is recommended over lying flat.

Start with the roof panels and work from one end to the other.

To insert the roof panels lean against the guttering and slid up between the glazing bars until they reach the ridge and drop into place

Glaze the walls by leaning panels between the vertical glazing bars, push up and into the rebate located on the underside of the guttering.

Make sure the bottom of the glass panel is sitting securely on the top of the base.

The panel will look square and plumb and be secured by the groove at the bottom and by the rebate at the top.

Insert the rubbers by using your thumb to push and your index finger to guide you.

All rubbers are made longer than required and are to be trimmed when finished.

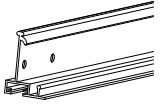
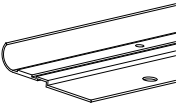
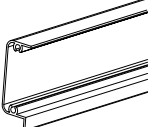
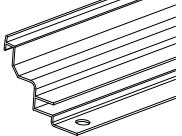
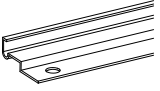
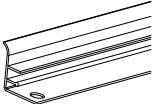
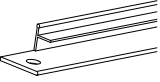
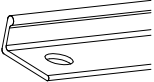
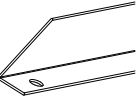

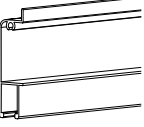
If the rubber extrusion seems dry use soapy water to assist when fitting into the glazing bar.

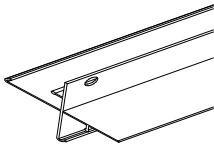
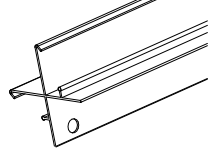
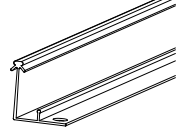
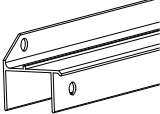
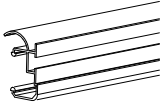
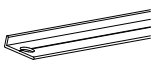
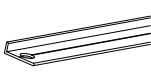
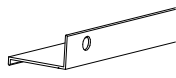
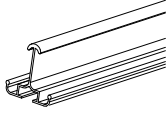
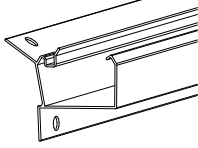
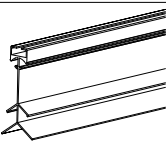
The seals should look flat and straight when complete.



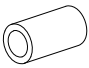



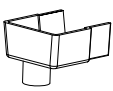
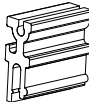
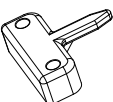
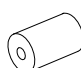
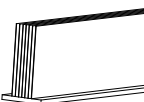
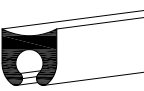
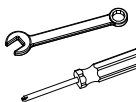
Leave rubbers for an hour or two before cutting to required length as they may stretch then retract when inserting.

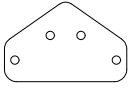
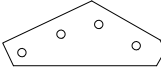
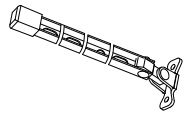
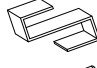
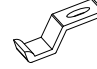
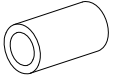
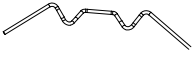
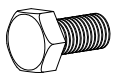
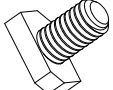





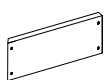
Do not cut rubbers until you have inserted all of them.

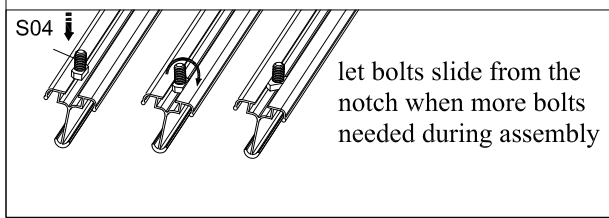
*Please contact your provider if you require further guidance.*

PART	#	mm	Qty.
	L11A L11B	1650 1650	1 1
	L12	627	1
	L13A L13B	627 627	1 2
	L15	593	2
	L16	593	2
	L17	555	4
	L18	629	2
	L21	380	1
	L22	1803	1
	L37	1798	1
	L38	627	1

PART	#	mm	Qty.
	L01A L01B L01C L01D	1118 1118 1118 1118	1 1 1 1
	L01E L01F	1188 1188	2 2
	L03A L03B	1610 1610	1 1
	L04	602	1
	L05	1300	1
	L06A L06B L06C	1270 582 1278	2 2 2
	L06D L06E	1291 1556	4 4
	L07A L07B L07C L07D	1803 2436 604 604	1 2 1 1
	L08A L08B L08C L08D	1625 1625 1188 1095	1 1 6 6
	L09	2436	2
	L10	2436	1

PART	#	mm	Qty.
	W08	350	6
	W09		14
	H3		2
	W46		2
	W21	φ12*φ6*1.5	2
	J04		2
	J04L		2
	J04R		2
	J11		2
	J13		4
	J15	Ø6.5*20	4
	J18	1.65M	2
	J19	74M	1
	T01		1
	T02		1

PART	#	mm	Qty.
	W1		2
	W2		4
	W5		2
	W11		10
	W12		2
	W13	Ø12*28	2
	W14		166
	S01	M6*10	141
	S02	M6*16	2
	S03	M6*40	1
	S04	M6*14	5
	S05	M5*25	2
	S07	M6*60	2
	M01	M6	144
	M02	M5	2
	Z01	Ø4*16	24
	Z02	Ø4*10	4
	W07A	631	1
	W07B	631	1
	W07C	2487	2
	W07D	1854	1



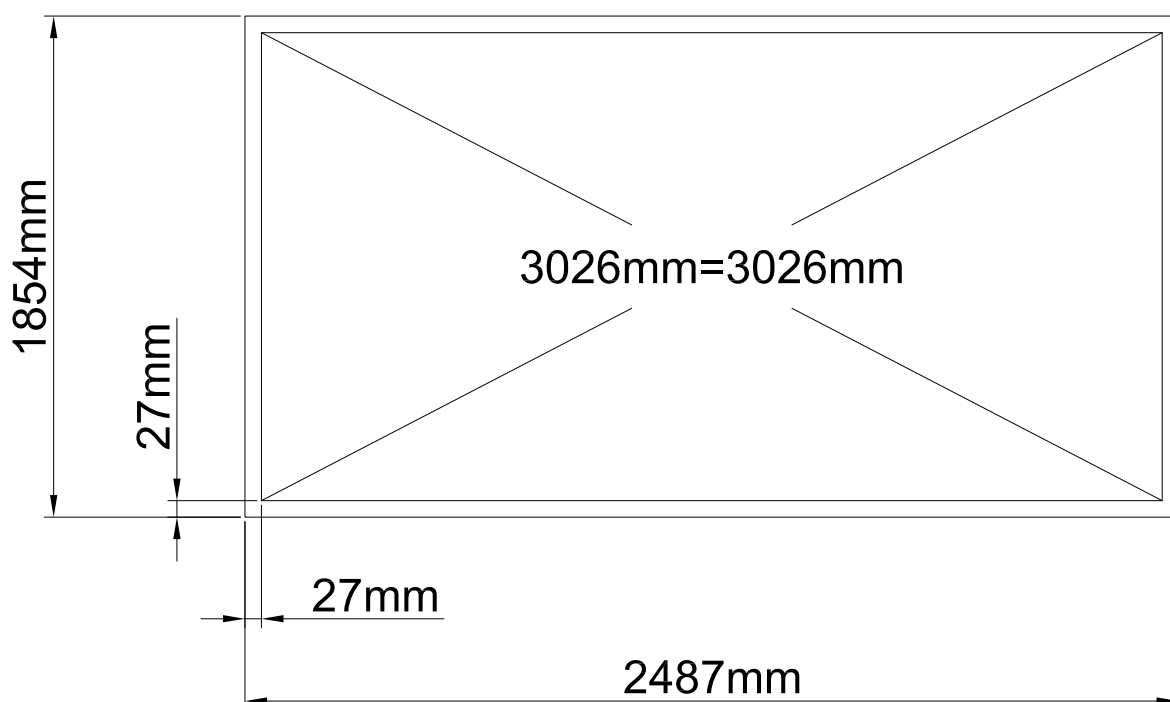
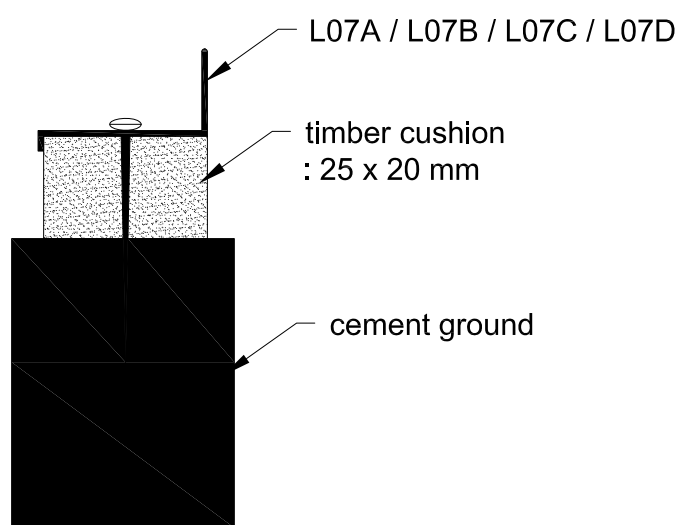
# Base assembly

It is critical that the greenhouse base is perfectly squared so as the diagonal measurements are the same.

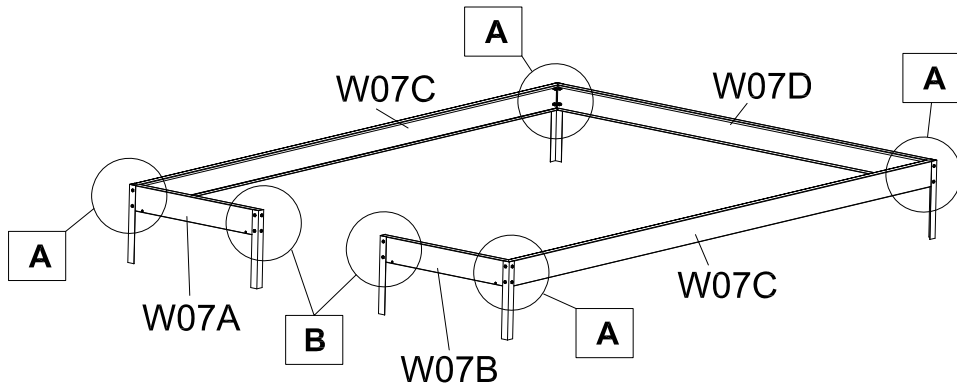
The greenhouse also needs to be consistently level across the front and back. You can have fall from front to back, however it must be the same fall on both sides.

Anchoring the greenhouse into the ground is critical.

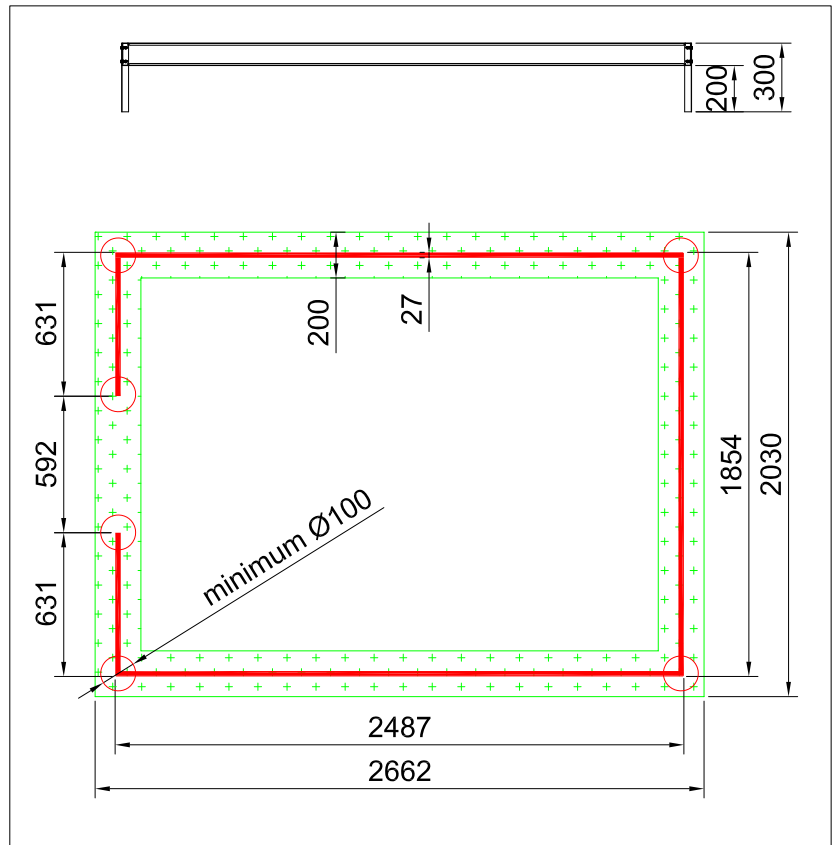
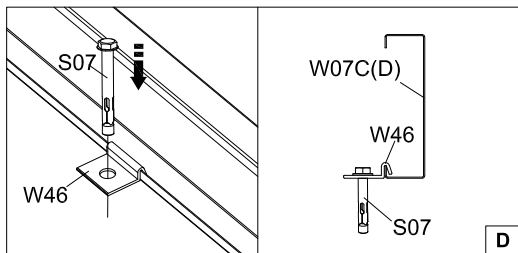
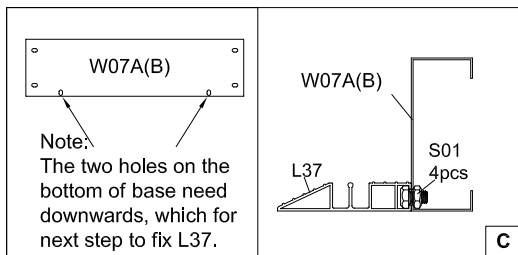
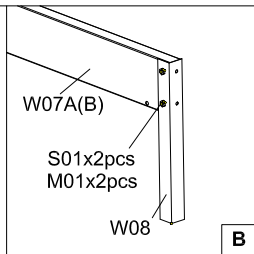
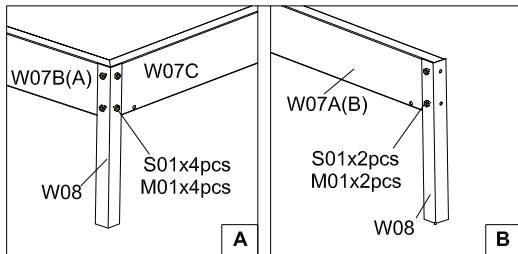
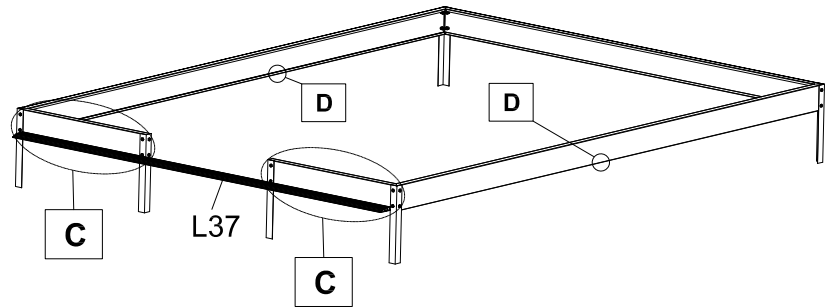
We recommend using masonry anchors if you have a slab, in which case you would cut the anchor legs off. Alternatively the anchor legs can be concreted into the ground (min footing 300mm dia. and 400mm deep). This is often best done at the end, weather permitting. Always secure the structure temporarily during construction.



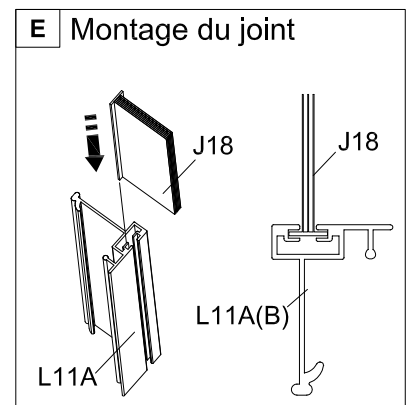
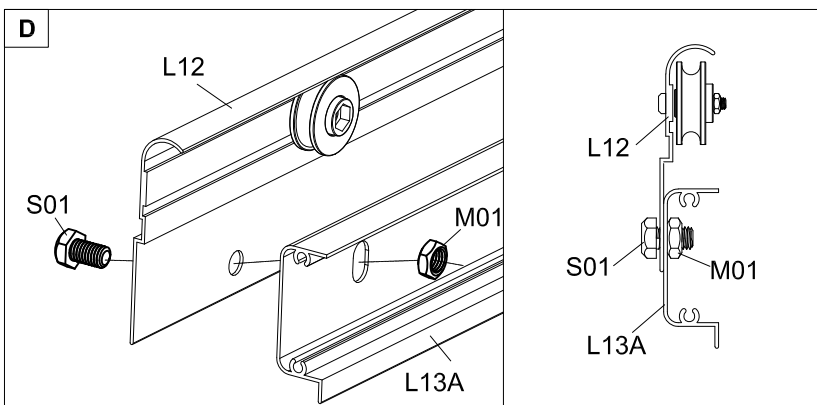
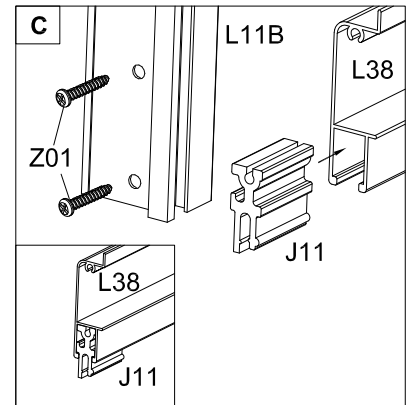
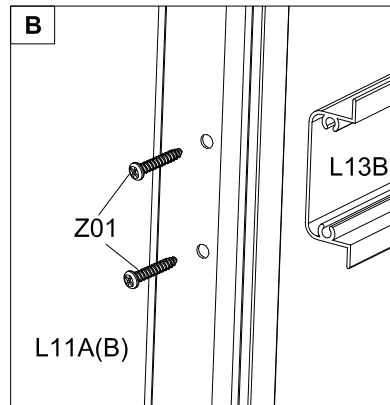
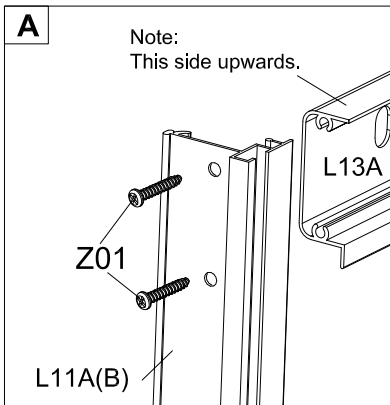
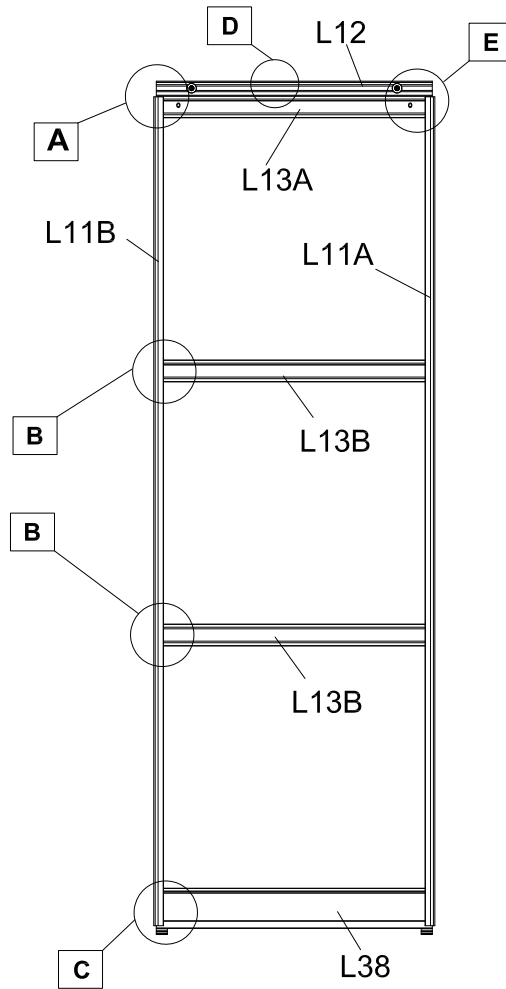
# Base installation ground



Note:  
Please tear off protective film on surface of W08 and W07A (B / C / D) before assemble base.

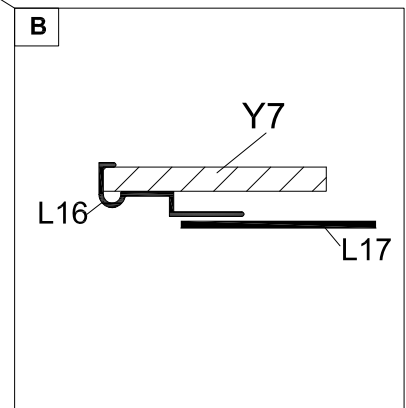
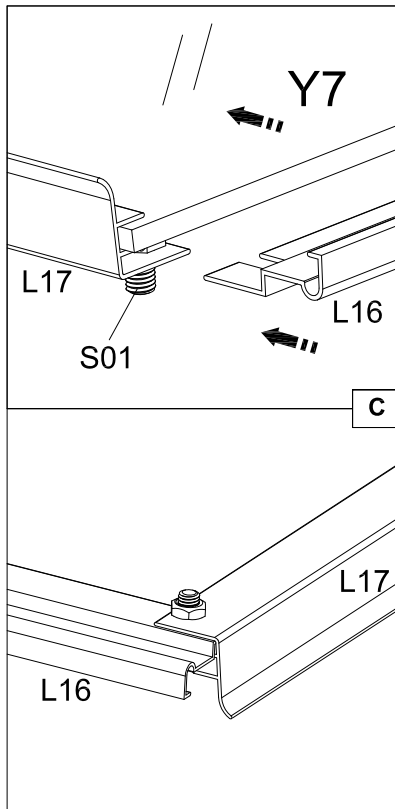
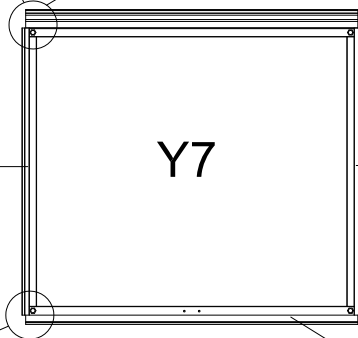
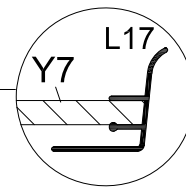
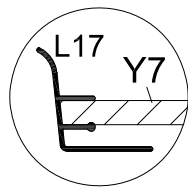
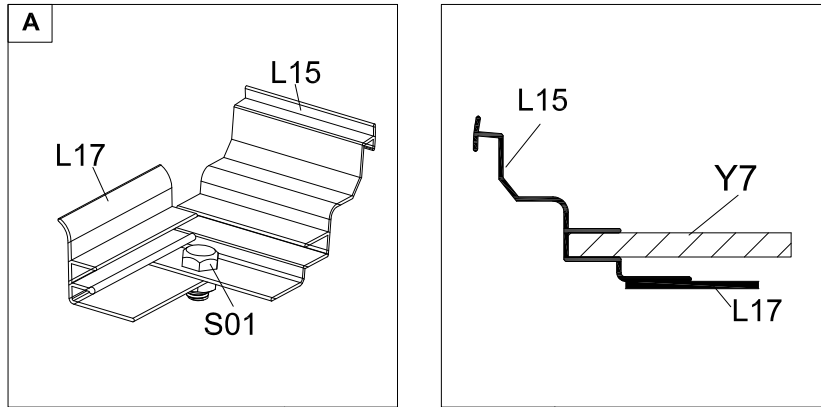


# Left Door Assembly

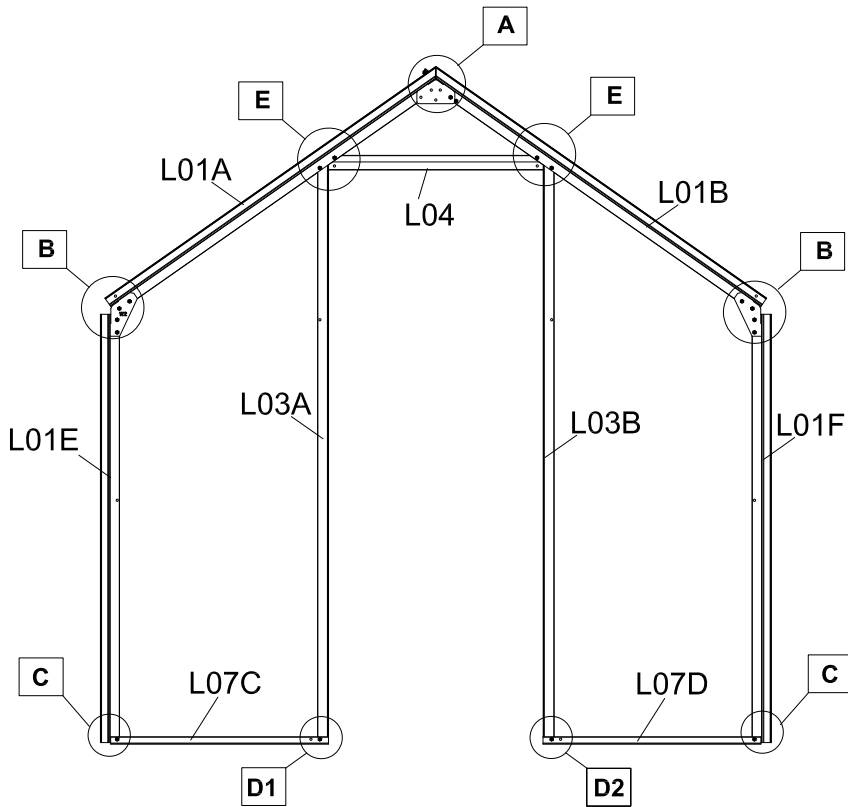




# Window Assembly



# Front Frame Assembly



**A**

Diagram A shows the peak joint assembly with components L01A, L01B, W1, and M01\*4pcs. It specifies S01\*4pcs screws and includes the instruction: "Do not fasten nuts before assemble L10."

**C**

Diagram C shows the side top corner assembly with components L01E(F), L07C(D), and L01A(B). It includes the instruction: "Do not fasten nuts before assemble L09."

**D1**

Diagram D1 shows the bottom center joint assembly with components L03A, L07C, L07A, and L07C. It specifies S01 M01 hardware.

**B**

Diagram B shows the side top corner assembly with components L01A, L01E, W2, and S01 4pcs. It includes the instruction: "Do not fasten nuts before assemble L09." and notes "W01 in correct assembly".

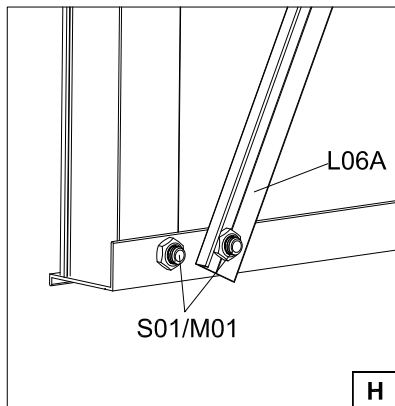
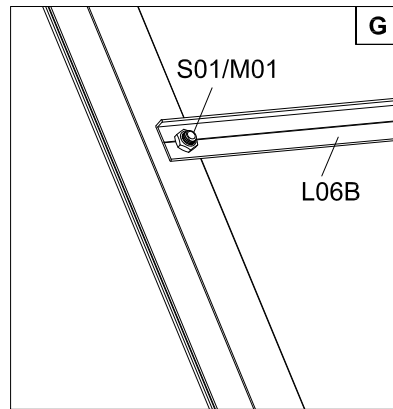
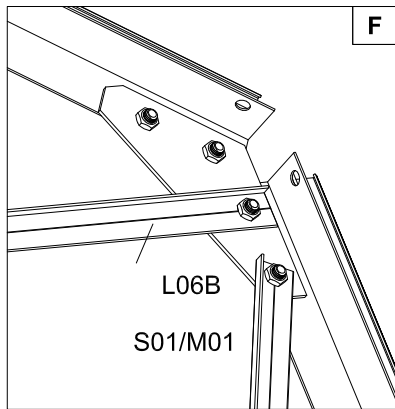
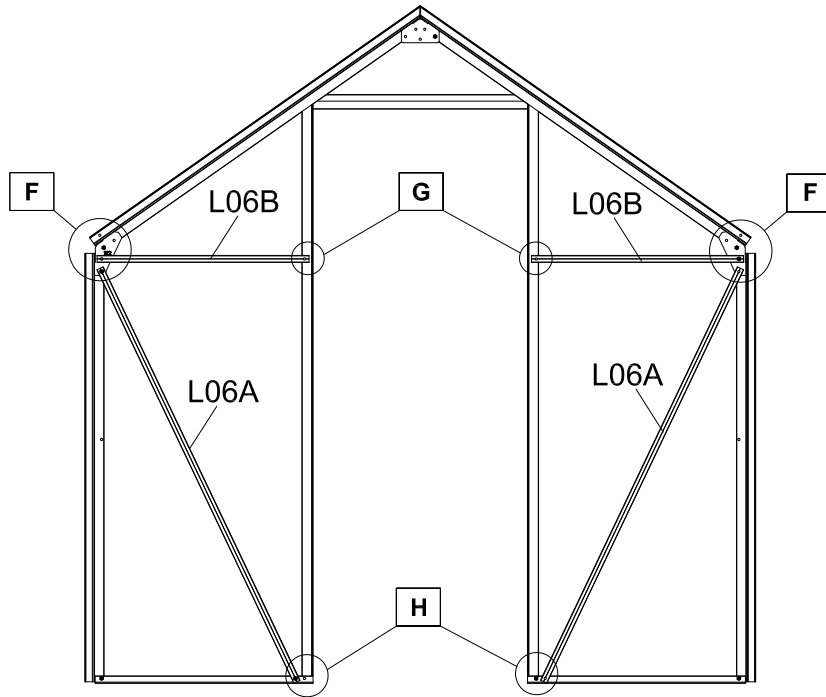
**D2**

Diagram D2 shows the bottom center joint assembly with components L03B, L07D, L07B, and L07D. It specifies S01 M01 hardware.

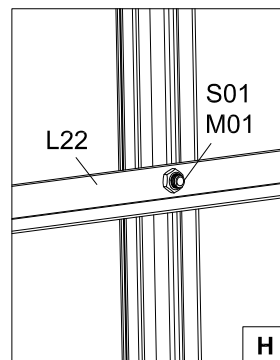
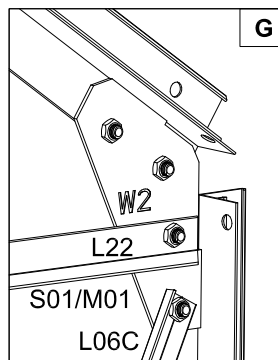
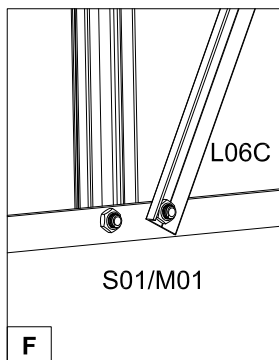
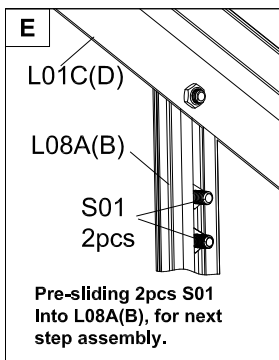
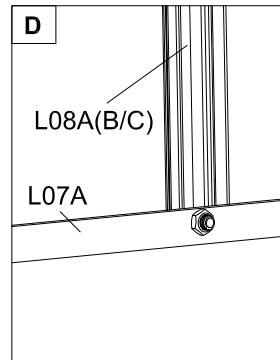
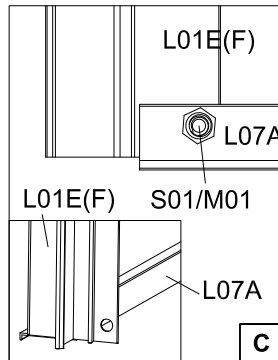
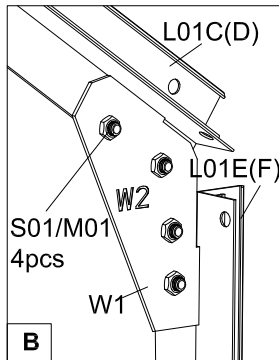
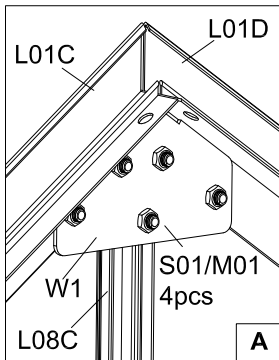
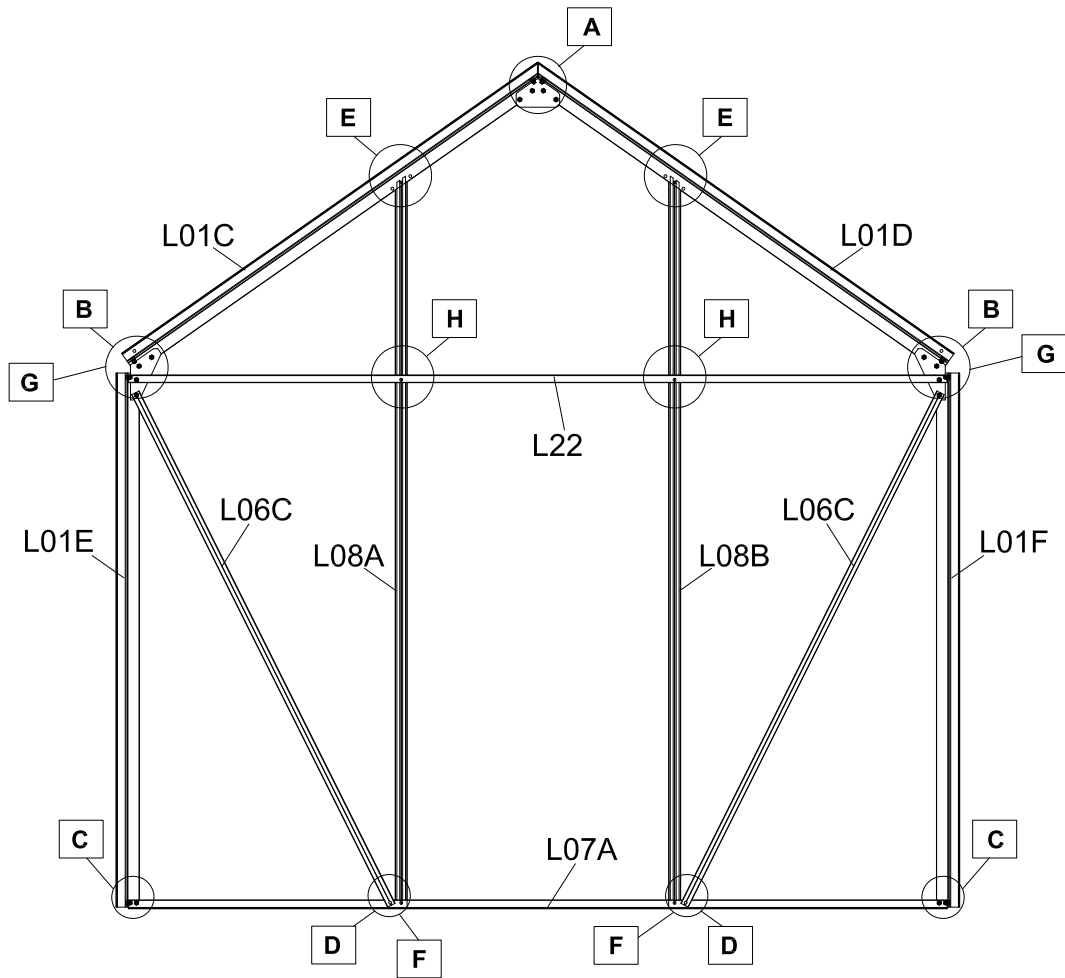
**E**

Diagram E shows the side top joint assembly with components L01A(B), L04, L03A(B), and L07D. It specifies S01 M01 hardware.

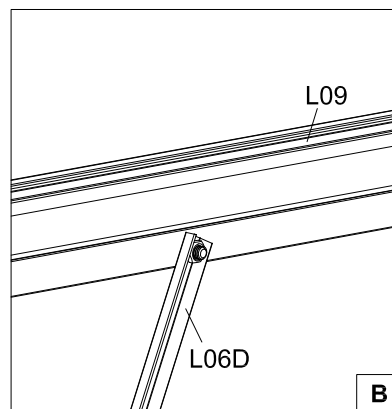
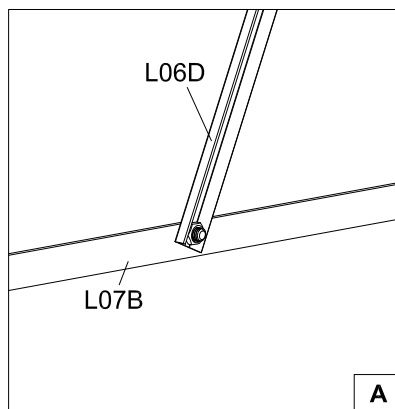
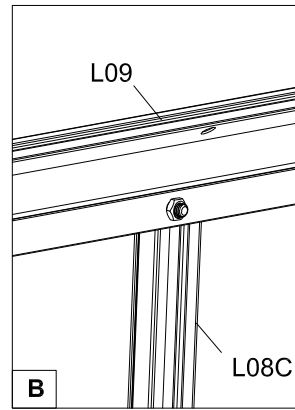
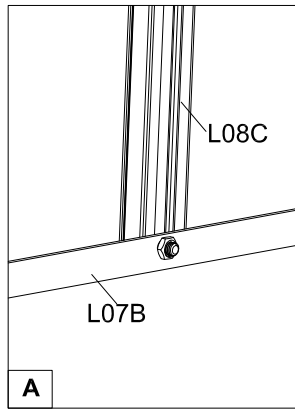
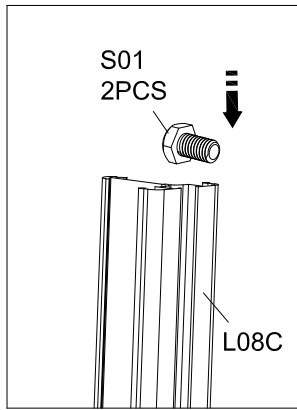
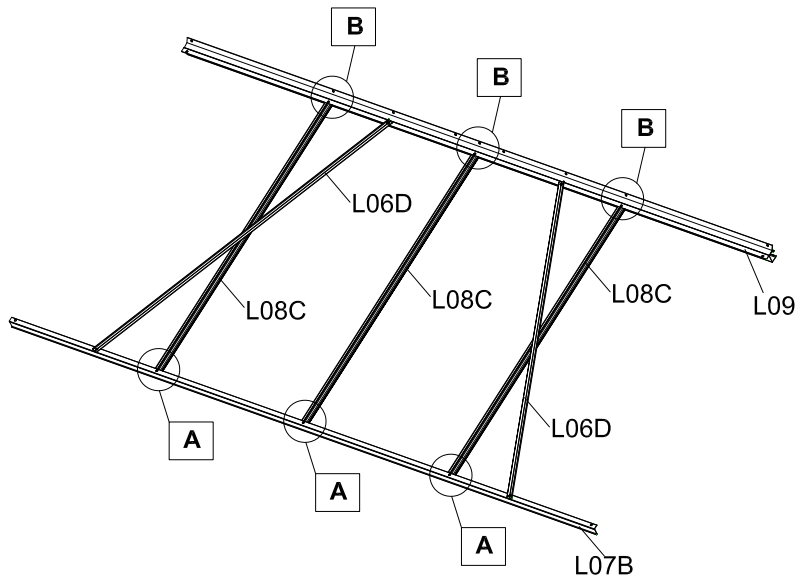
# Front Frame Assembly

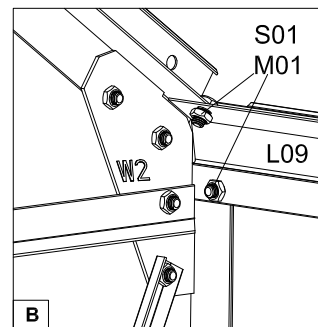
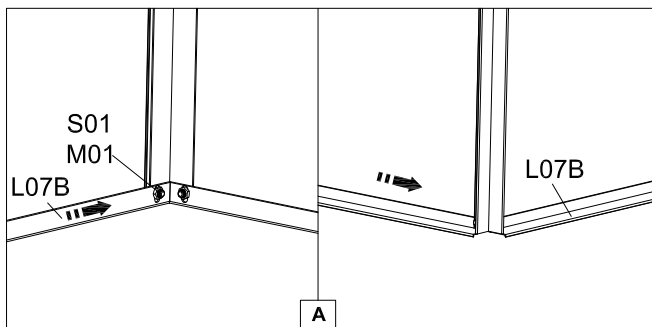
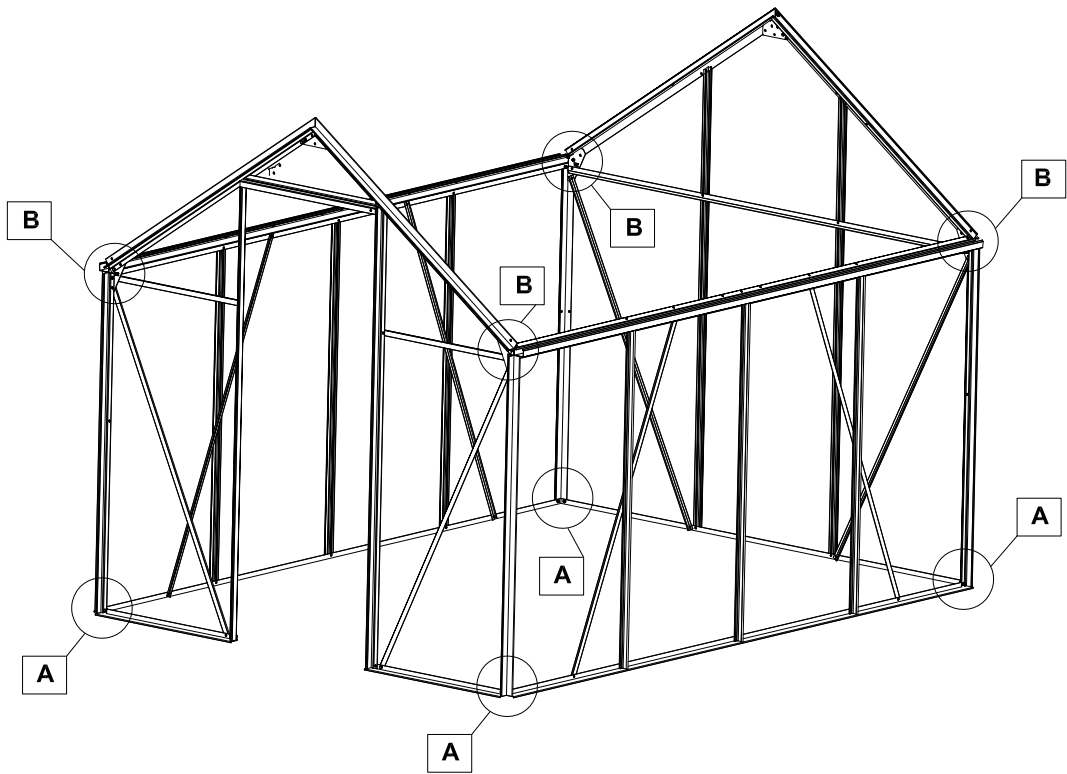
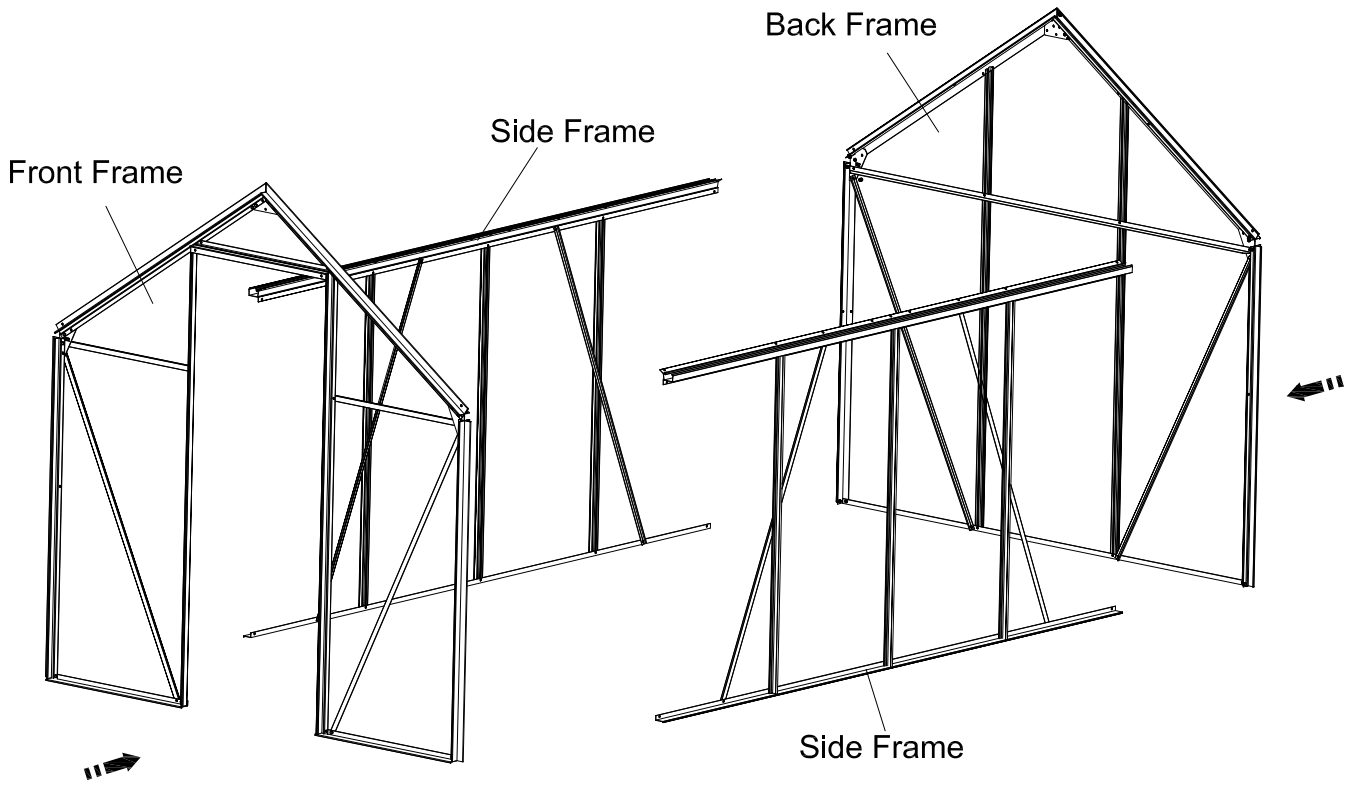


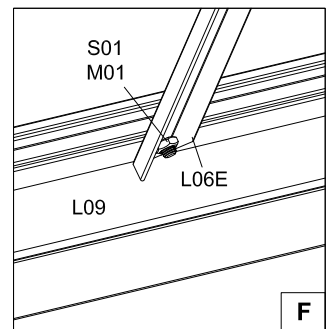
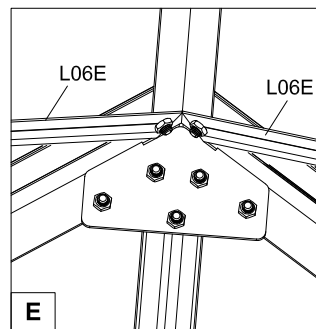
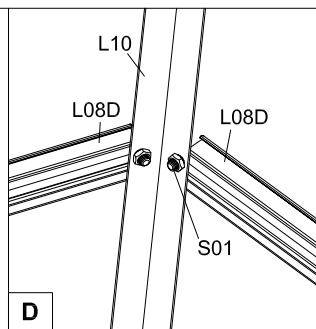
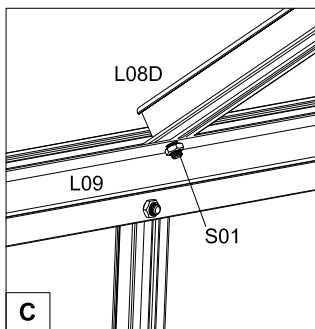
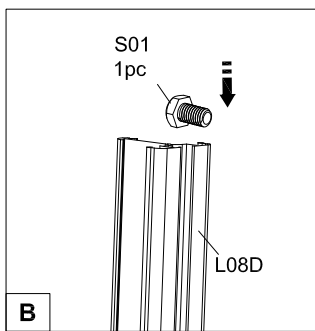
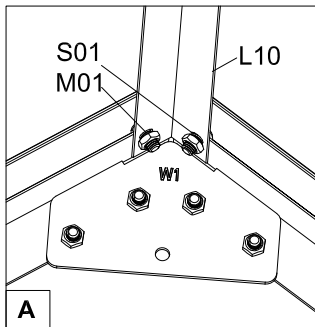
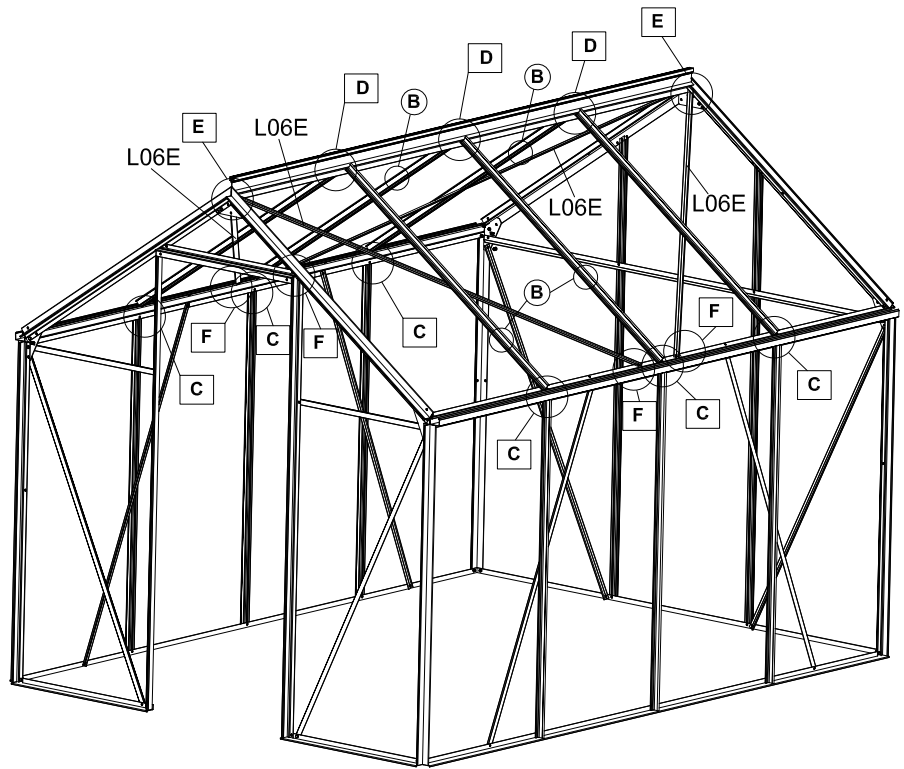
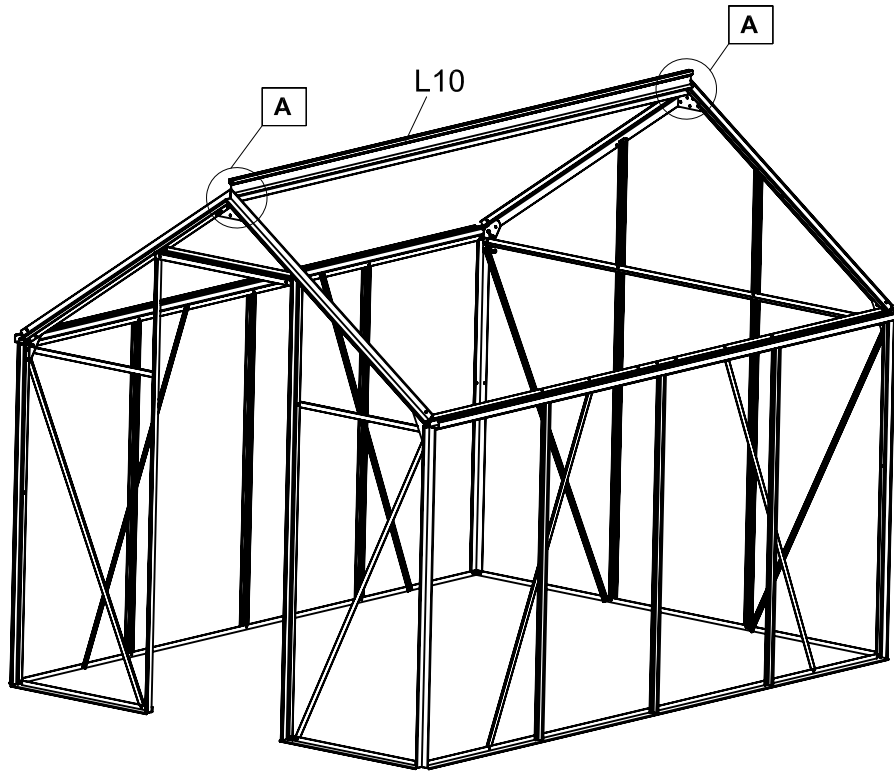
# Back Frame Assembly

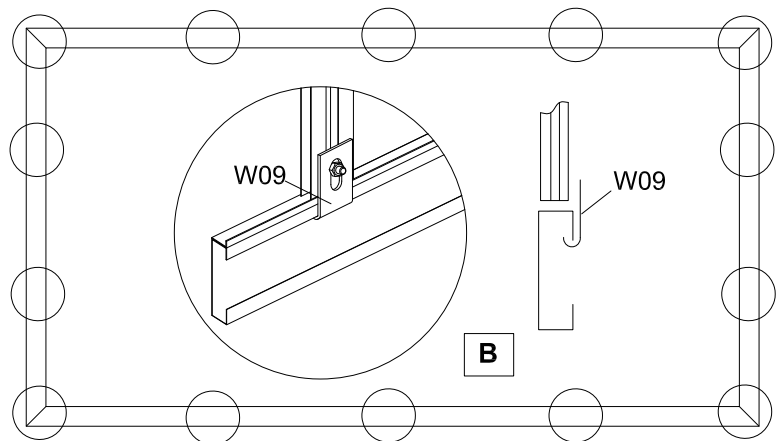
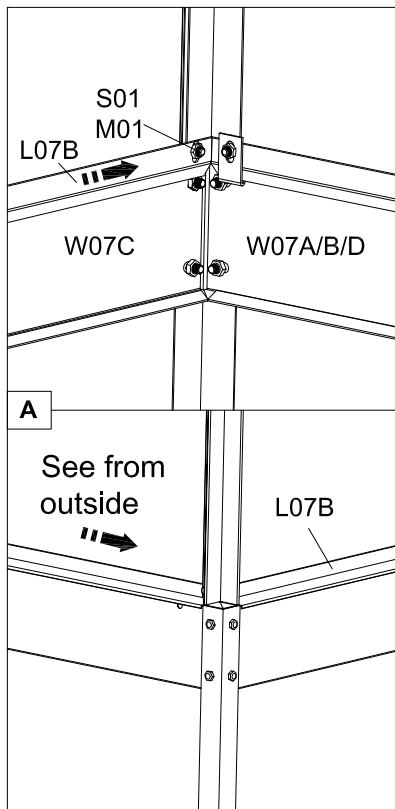
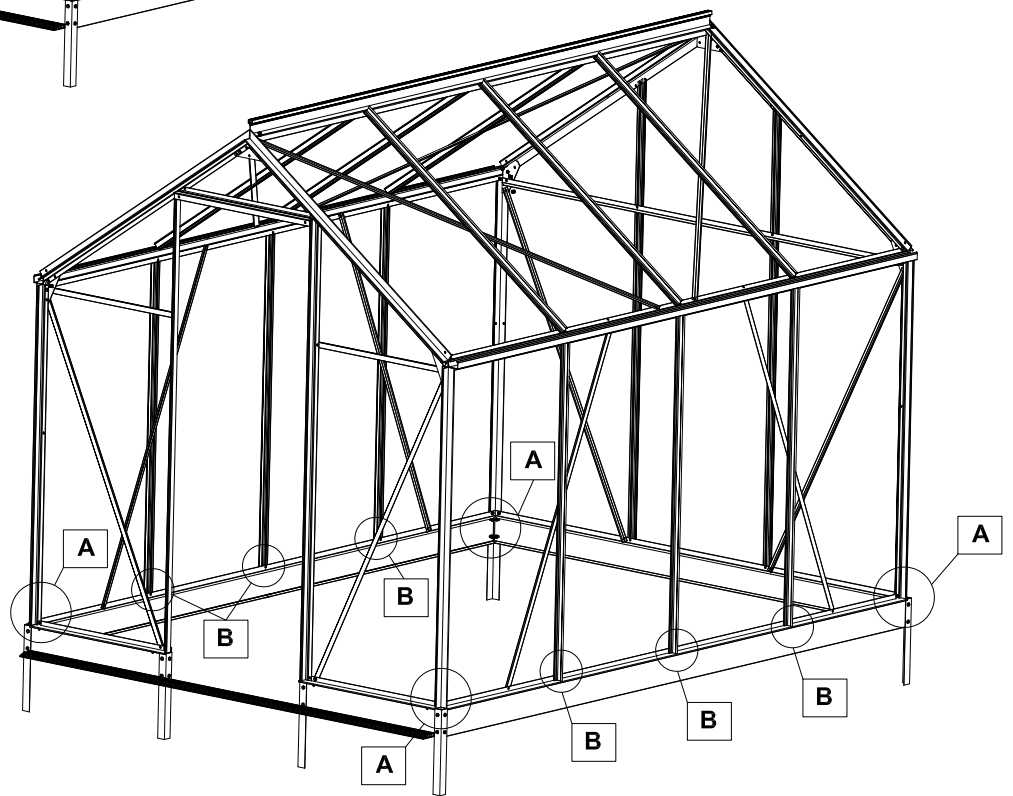
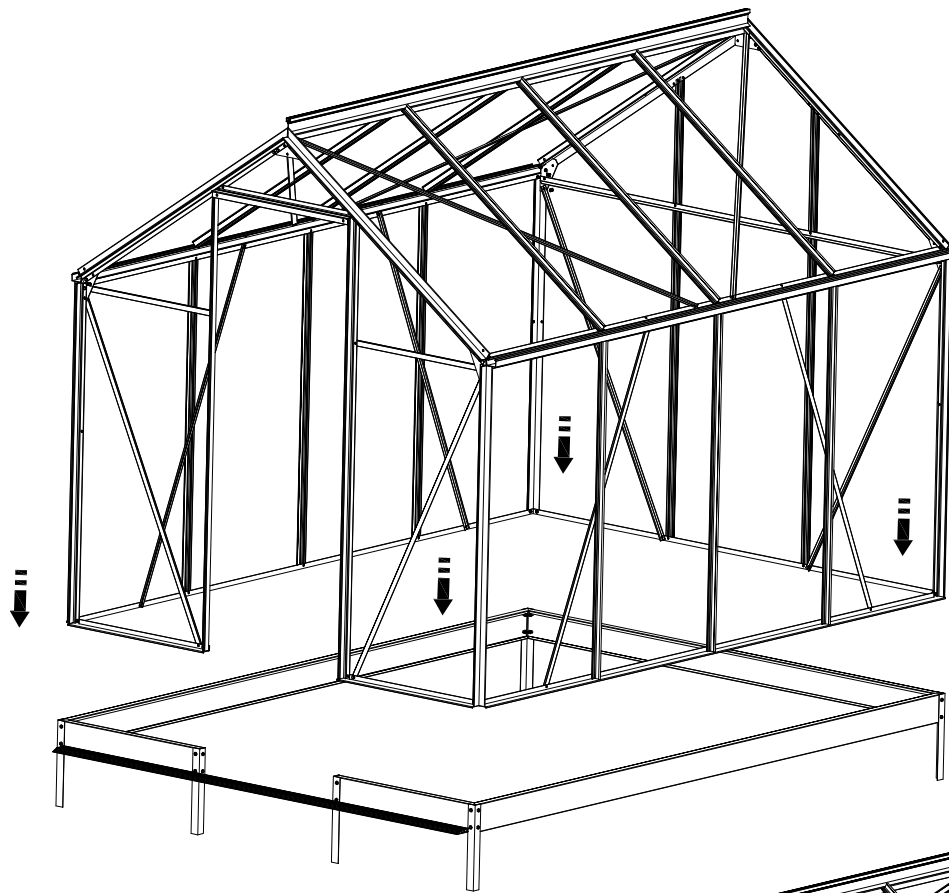


# Side Frame Assembly



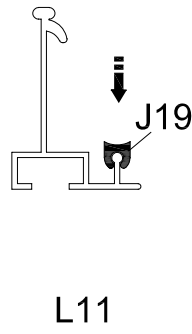
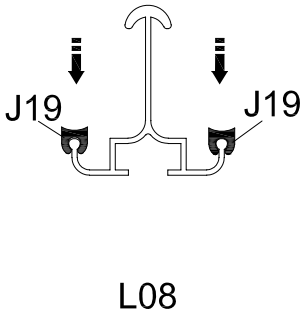
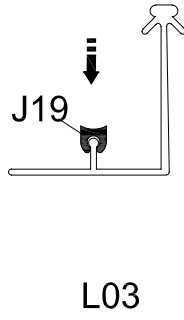
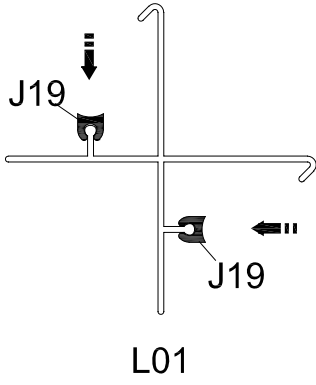




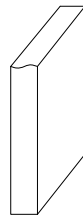
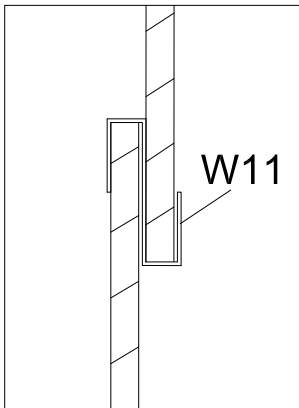
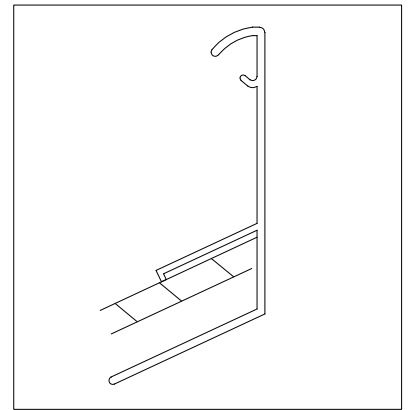
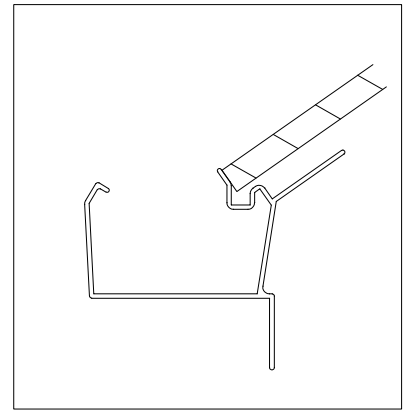




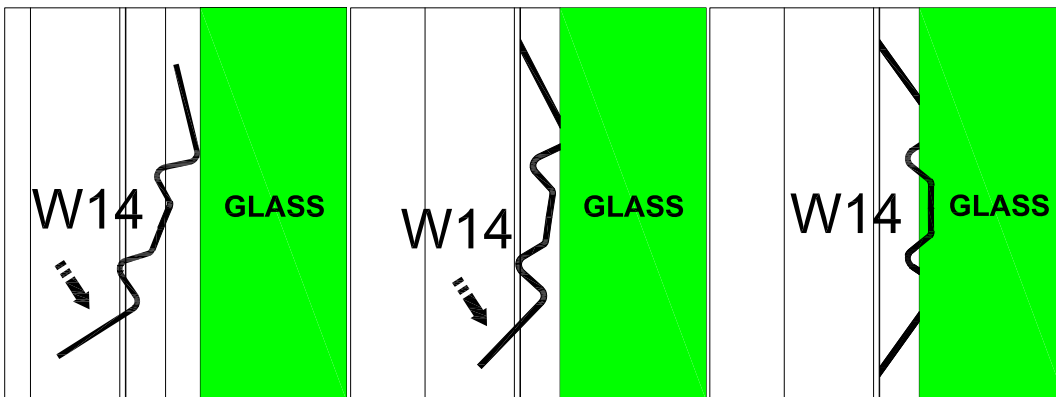
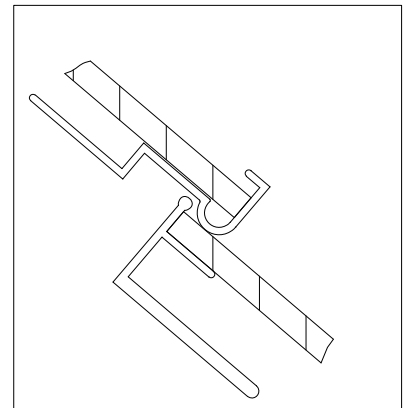
### J19 rubber strip assembly



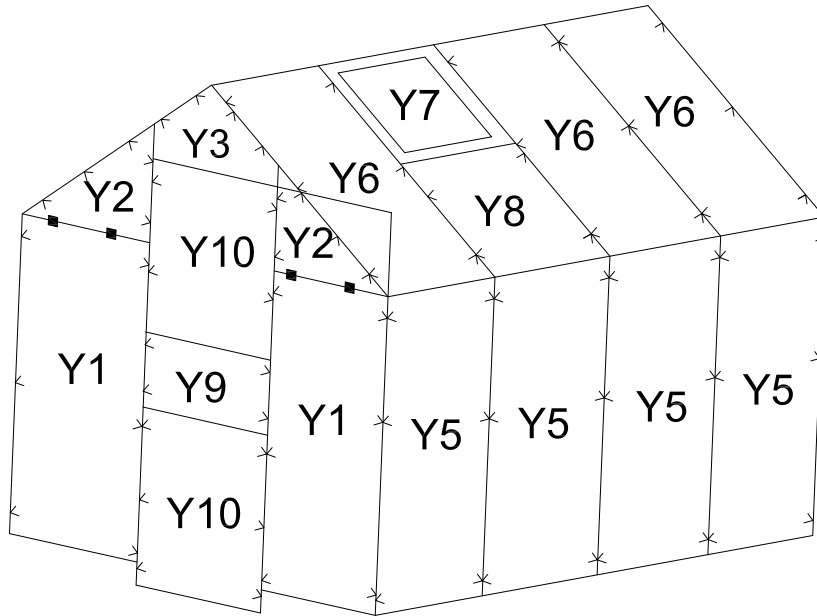
### Glass Assembly



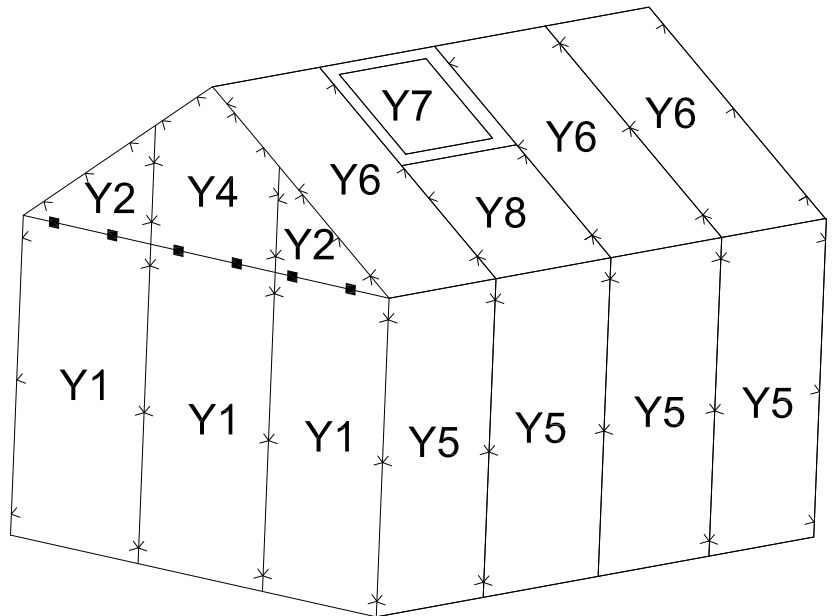
Be careful when glass fitting, to avoid hurts.



Be careful when fix W14 clips, to avoid hurts.



**Front**





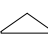
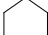

**Back**








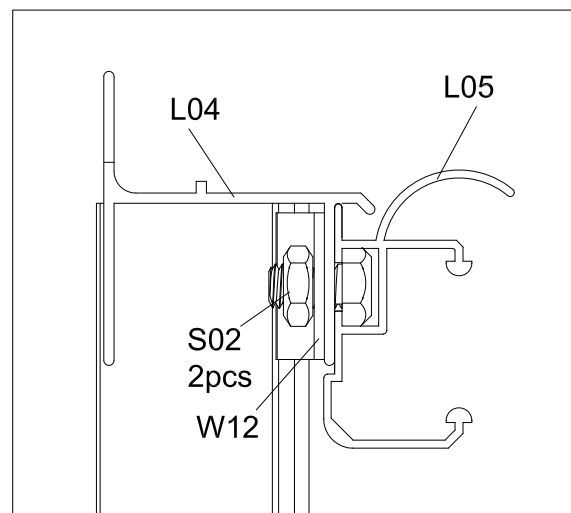
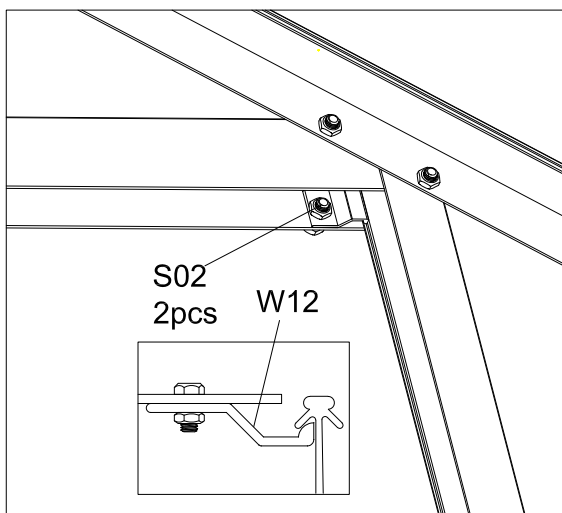
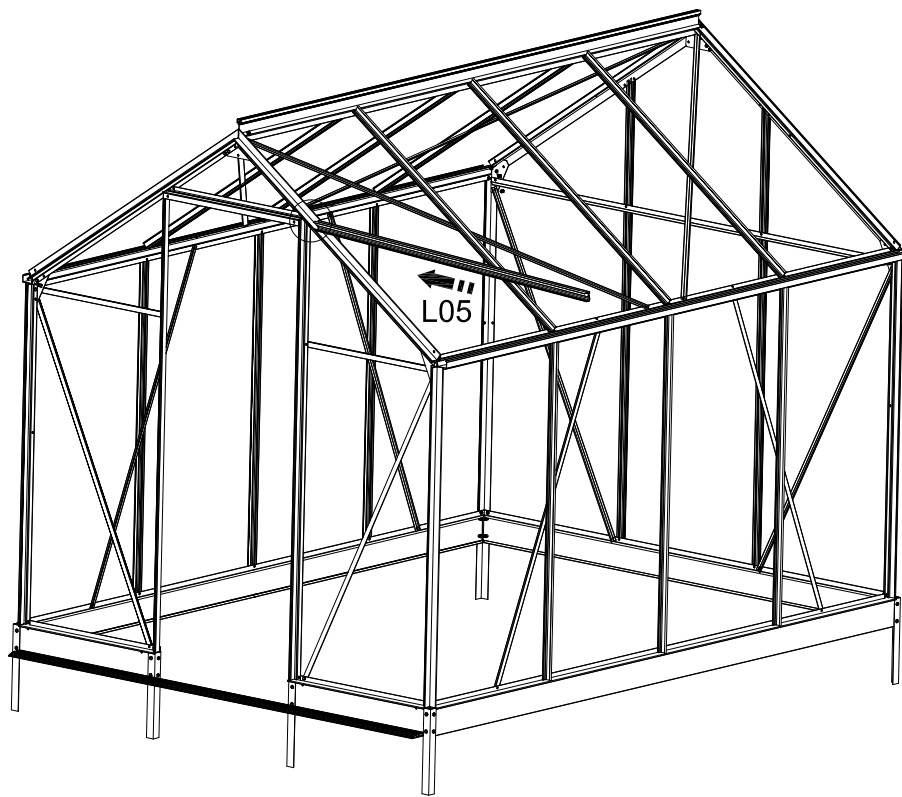
**W11 S hook**

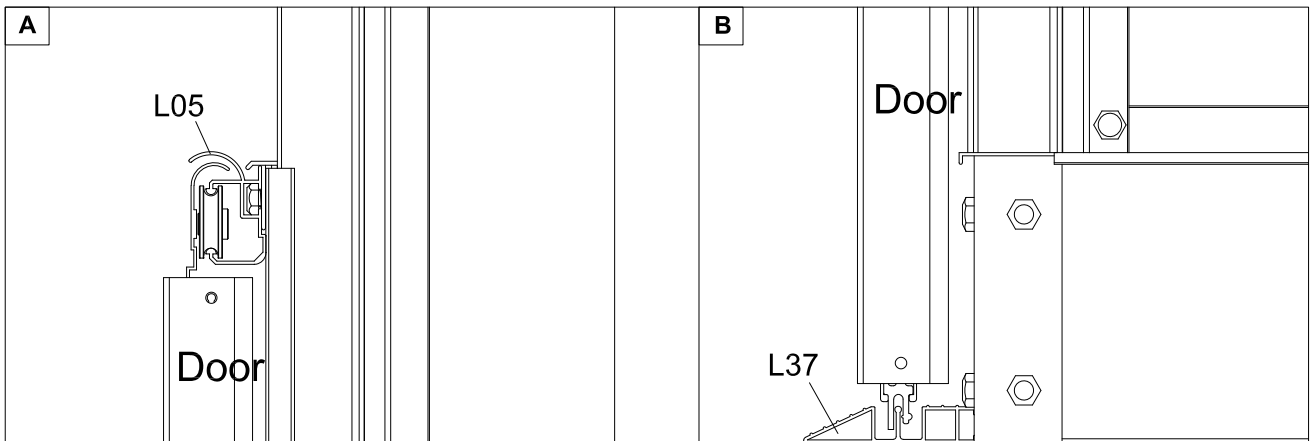
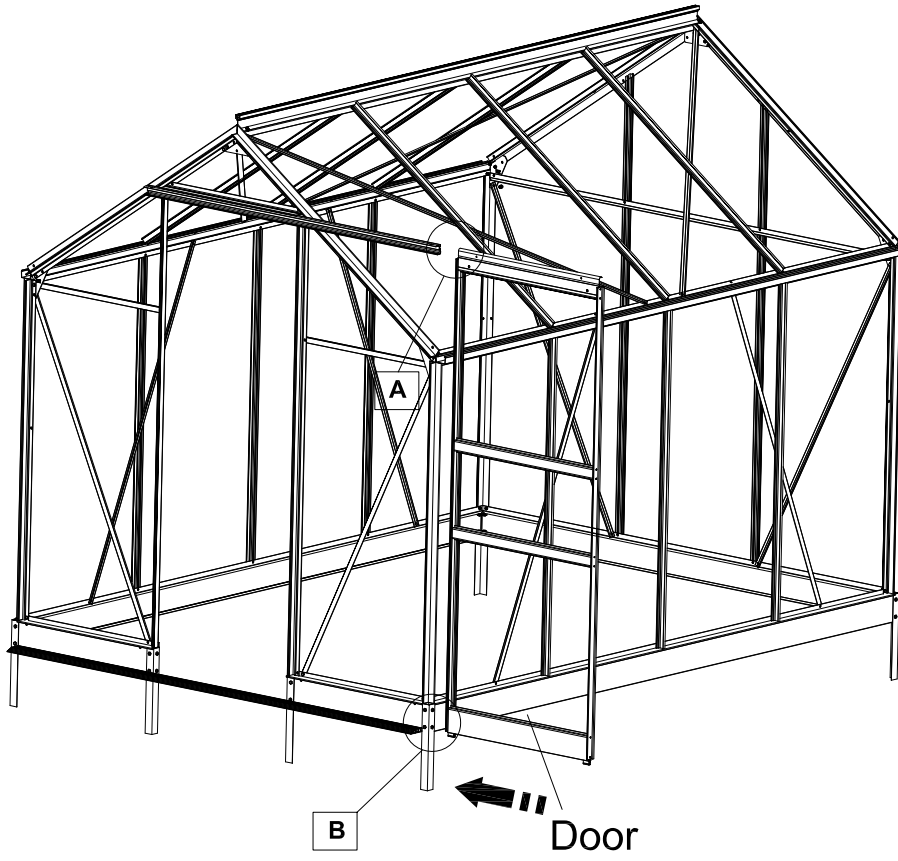


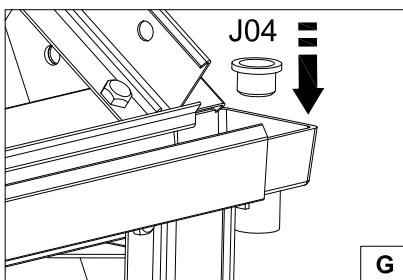
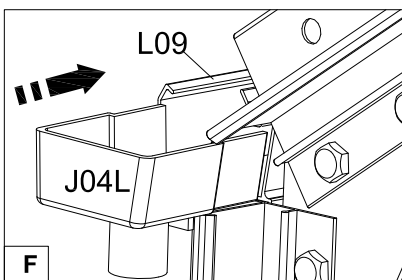
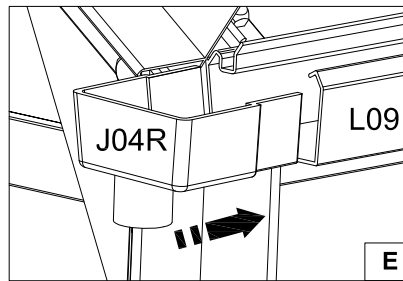
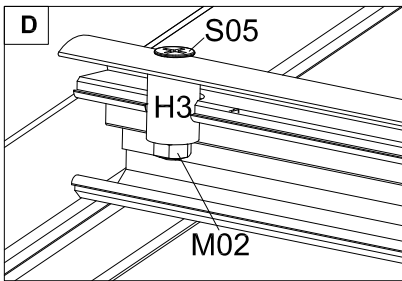
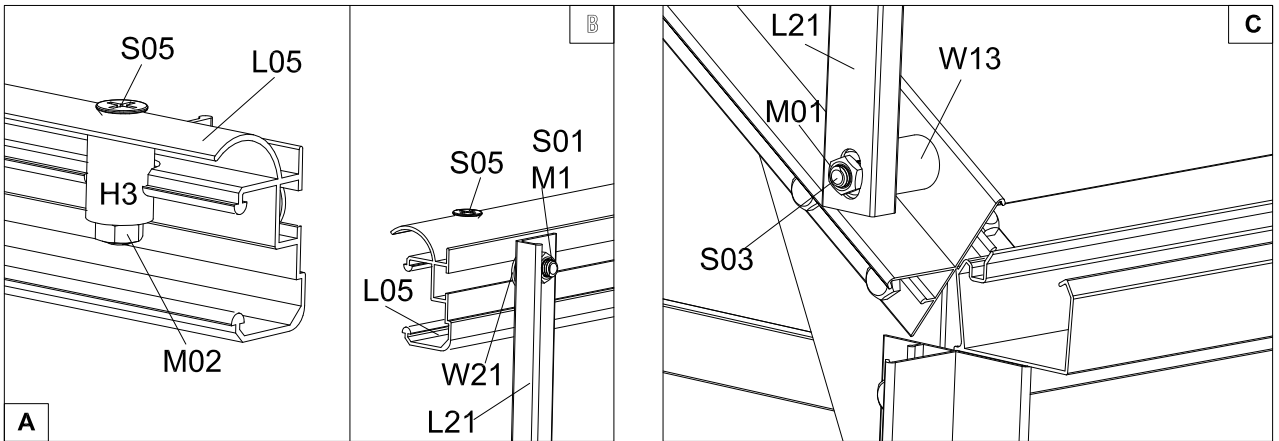
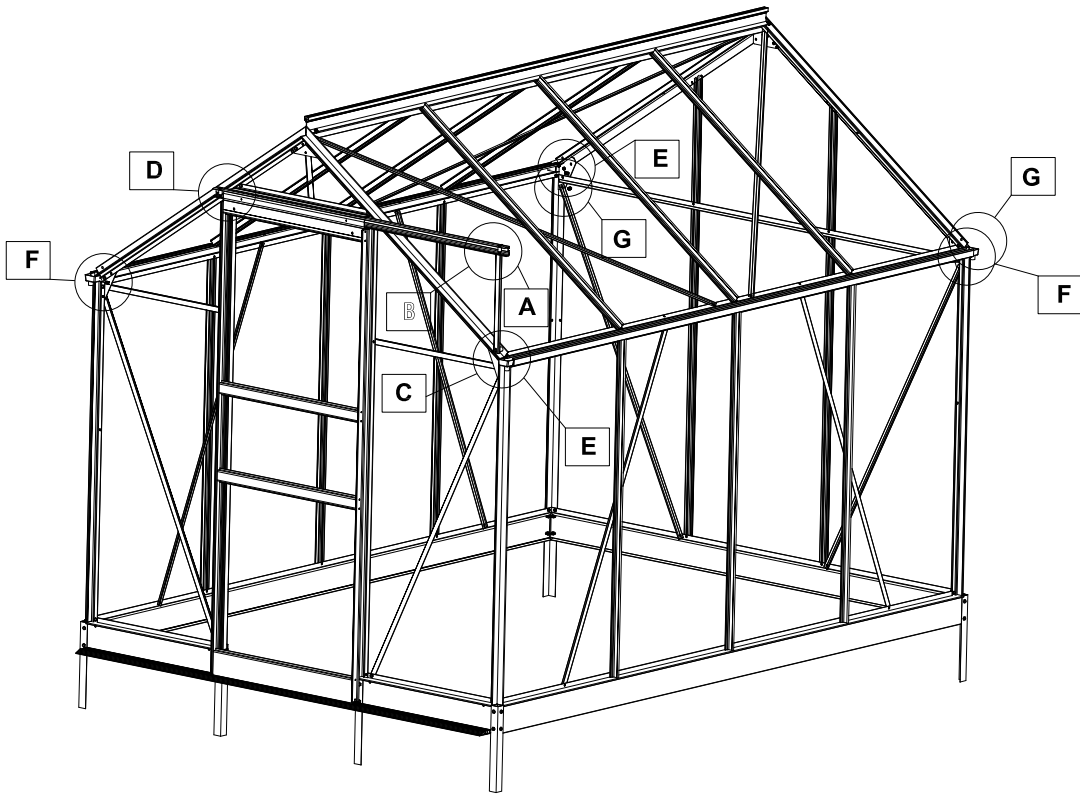
**W14 clips**

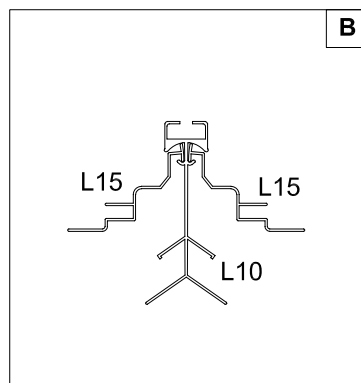
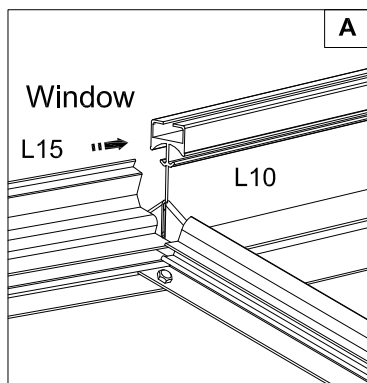
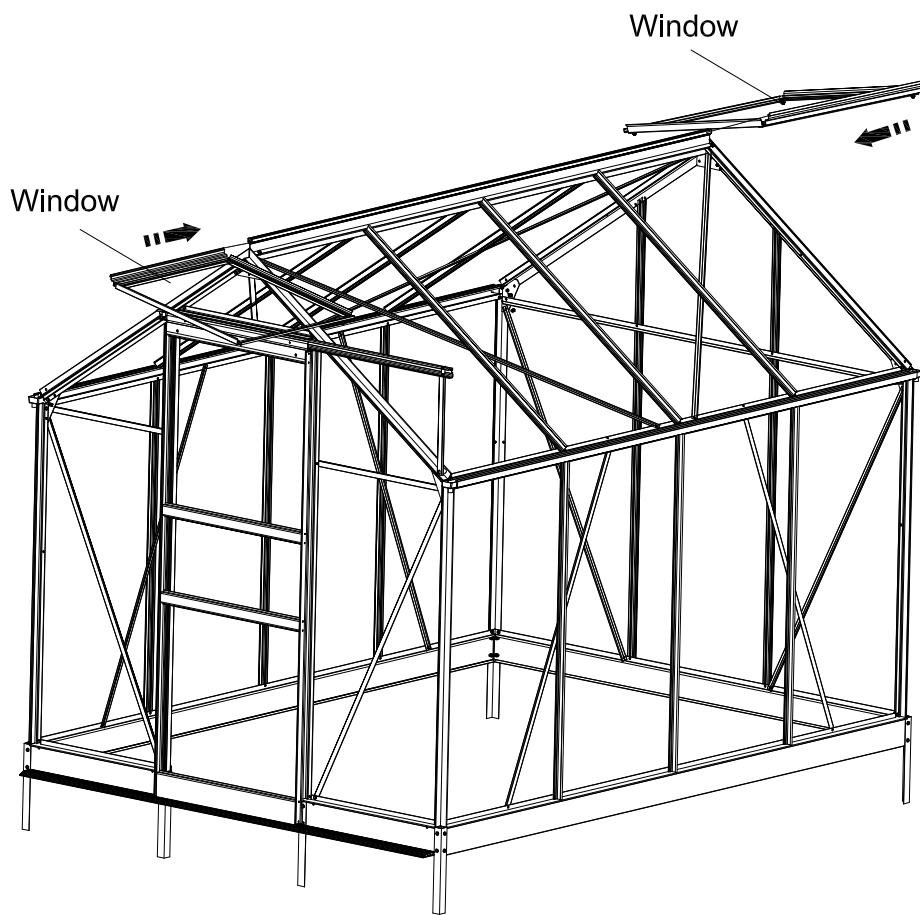
PART	#	mm	Qty.
	Y1	591x1186	5
	Y2	591x452x39	4
	Y3	606x223x11	1
	Y4	591x666x460	1
	Y5	598x1186	8

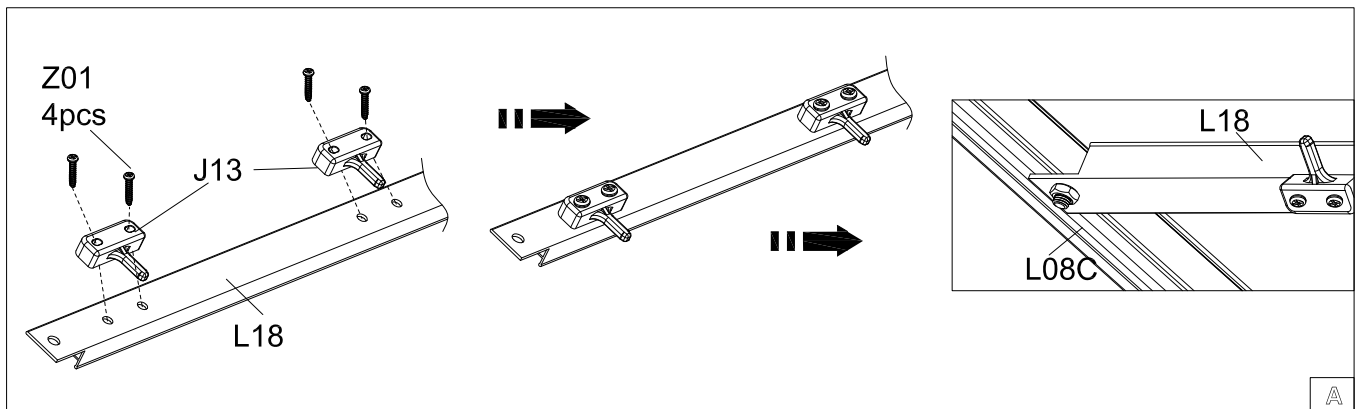
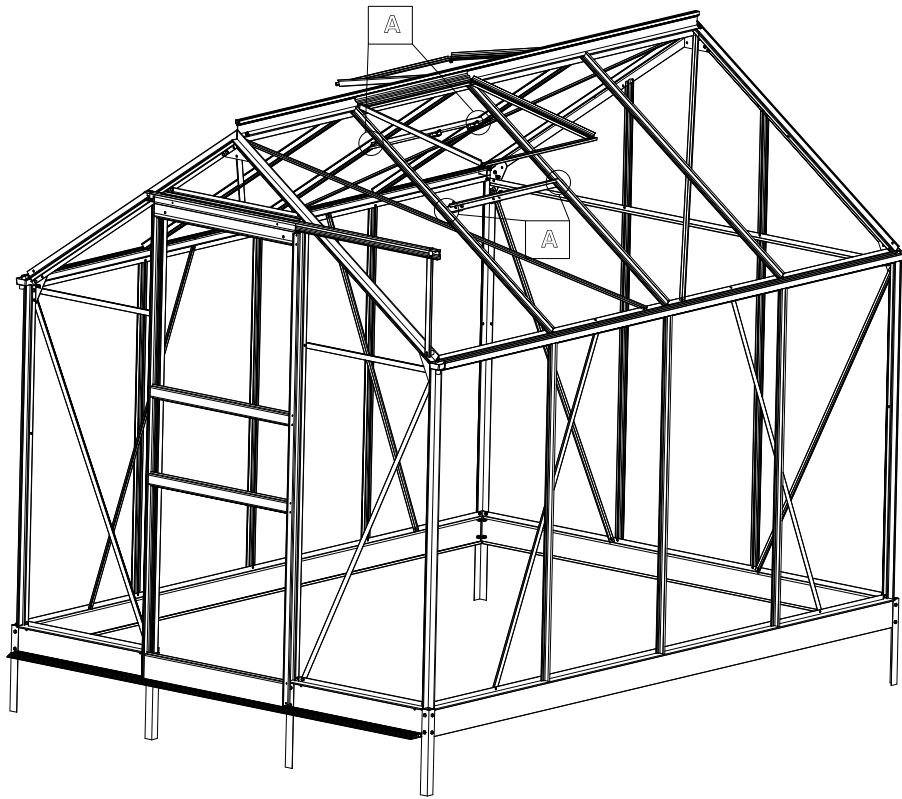
PART	#	mm	Qty.
	Y6	598x1103	6
	Y7	595x580	2
	Y8	598x534	2
	Y9	618x267	1
	Y10	618x590	2

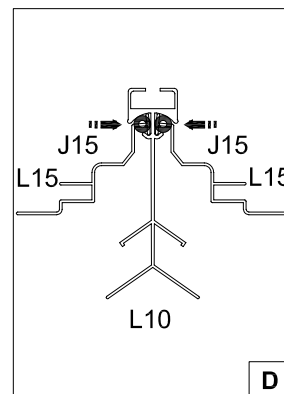
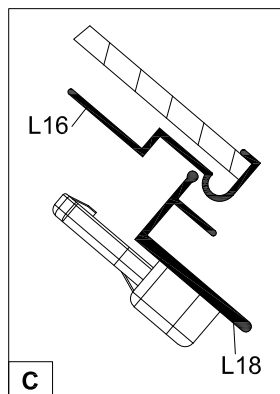
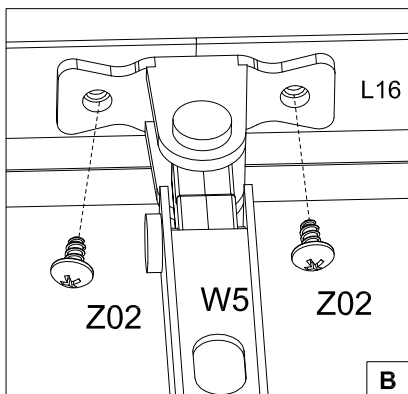
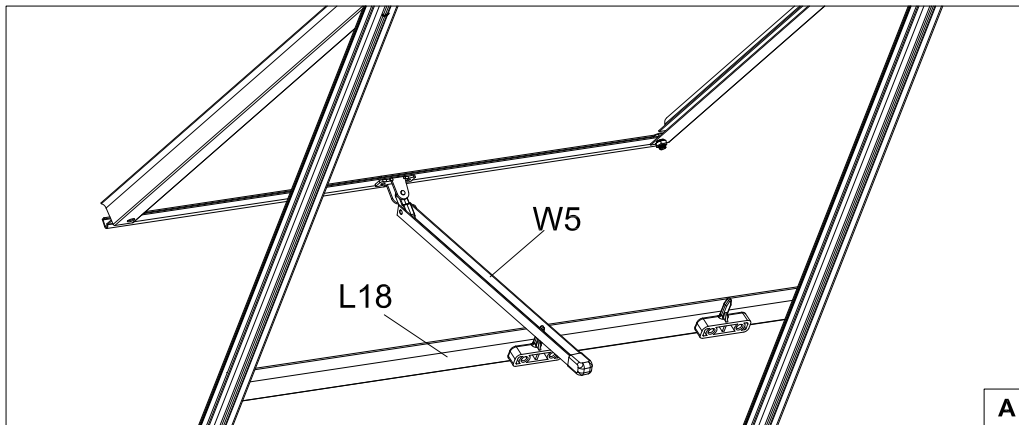
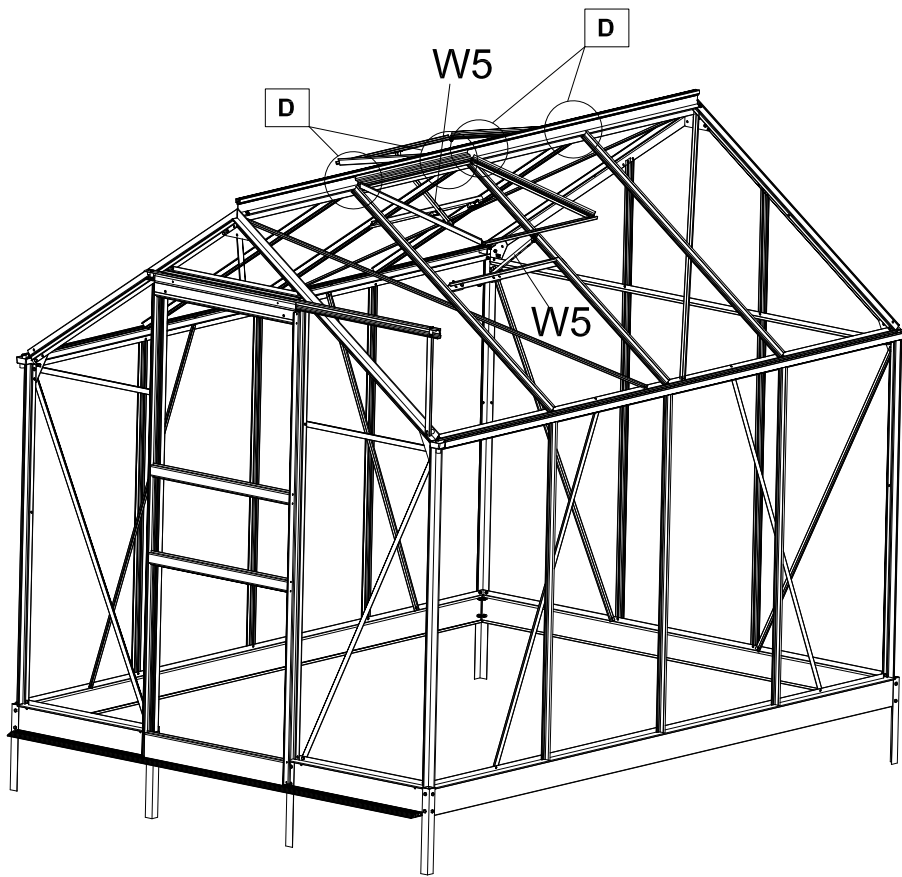














## Contact information

Austria



Belgium



Croatia



Denmark



Estonia



Finland



France



Germany



Ireland



Italy



Latvia



Lithuania



Nederland



Norway



Poland



Portugal



Spain



Sweden



Switzerland



UK

