

**DANCOVER<sup>®</sup>**

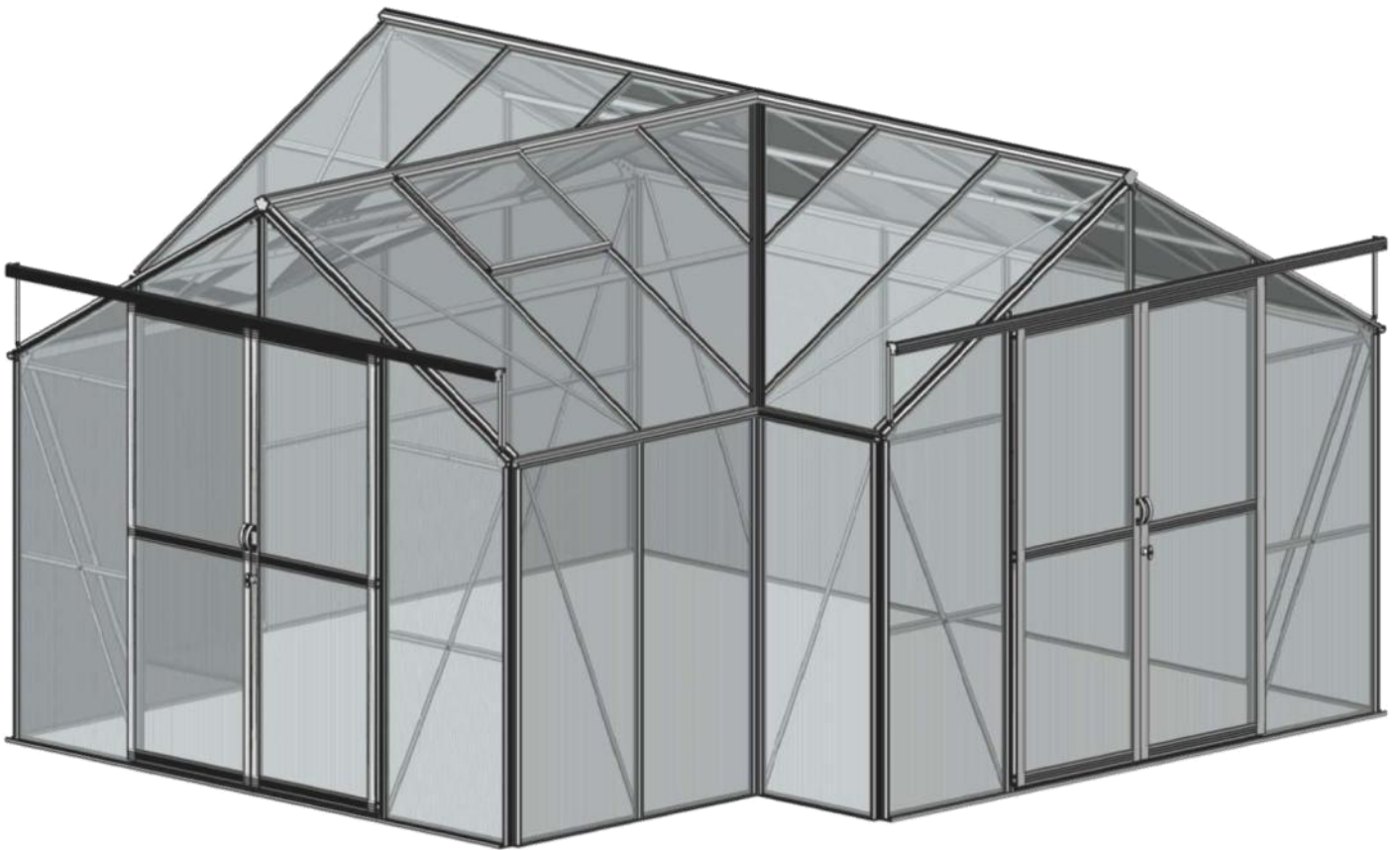
**.com**

Manual  
for  
Orangery  
4,45x4,45x2,52m

# Orangery

## Assembly Instructions

— For Sliding Door



Walk-in Greenhouse

# Statement

## Dear Customer!

May we congratulate you on buying new Greenhouse.

We feel sure that by following the detailed assembly instructions, you will find as much pleasure in actually building the greenhouse as the many hours you will spend on your greenhouse in the future. The assembly instructions are a combination of text and illustrations and no technical knowledge is required for the erection of the greenhouse. The frames are numbered and packed separately corresponding to the succession in the assembly instructions

Assemble one section at a time. However, bolts and various fittings for all sections will be found in pack of instructions.

Each pack is specified in the list of components. All detailed illustrations are marked with a symbol.

## Guarantee

We grant a comprehensive guarantee that covers replacement or repairs of defective parts due to material or manufacturing fault. The guarantee does not cover transport, assembly, freight etc. Glass is not covered by the guarantee. The guarantee is invalid if the greenhouse is not assembled according to these instructions.

## Winter Protection

Our greenhouse is constructed with frame dimensions up to 50% stronger than most of the competing products. We still recommend you to protect your greenhouse during the winter.

- Supporting the roof ridge at the centre of the greenhouse.
- Removing greater snow loads.
- Taking precautions against snow falling down from, for instance a roof.
- Preventing the wind from damage the greenhouse door and windows.

## Foundation

The base is maintenance free and, of course, all fittings are included. Remember to order concrete pipes and concrete at you local dealer, as these are not included in the delivery.

## Maintenance

- Grease doors, hinges and door track
- Clean the gutter for leaves etc
- Adjustment of windows
- Replacement of broken glass
- Clean the greenhouse with disinfectant before and after the growing season

## Complaints

We put severe demands on quality to secure that you get faultless products.

However, should a complaint occur, we kindly ask you to contact the dealer, from whom you have bought the greenhouse, To secure a quick service you should specify the extent of the defect by means of the list components in the assembly instructions.

# Cautions



Please put on gloves avoid of slitting your hands.



Avoid of crashing the material, results in un-shapes, it is not fits in fixture.



Avoid of materials cuts the polycarbonates sheets.

## Tips

- The base has to be fastened in a non-freezing depth <80cm>.
- The greenhouse is to be fastened to the base.
- The base has to be 100% level and square. The easiest way to ensure this is that the two diagonal measurements are identical.
- We recommend greasing the screws for the doors for an easier assembly.
- Glazing should only be carried out in fairly calm weather.
- Make sure that the greenhouse is square before starting to glaze.
- We recommend the frames to be degreased with acetone before glazing.
- We recommend using working gloves while glazing.
- An assistant make the job easier.

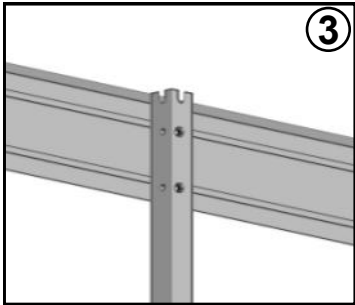
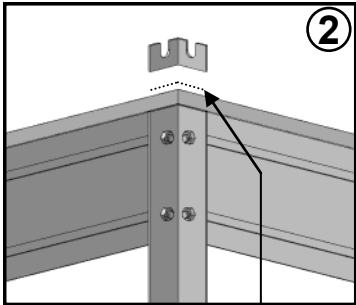
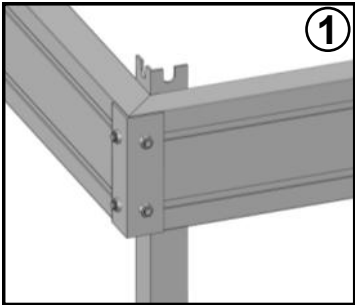
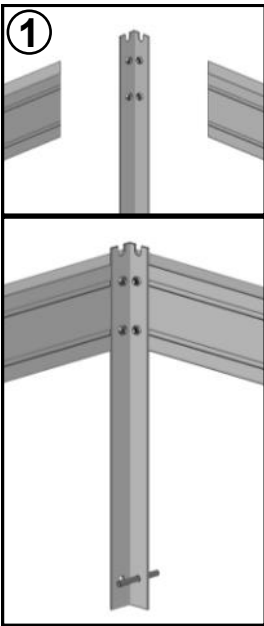
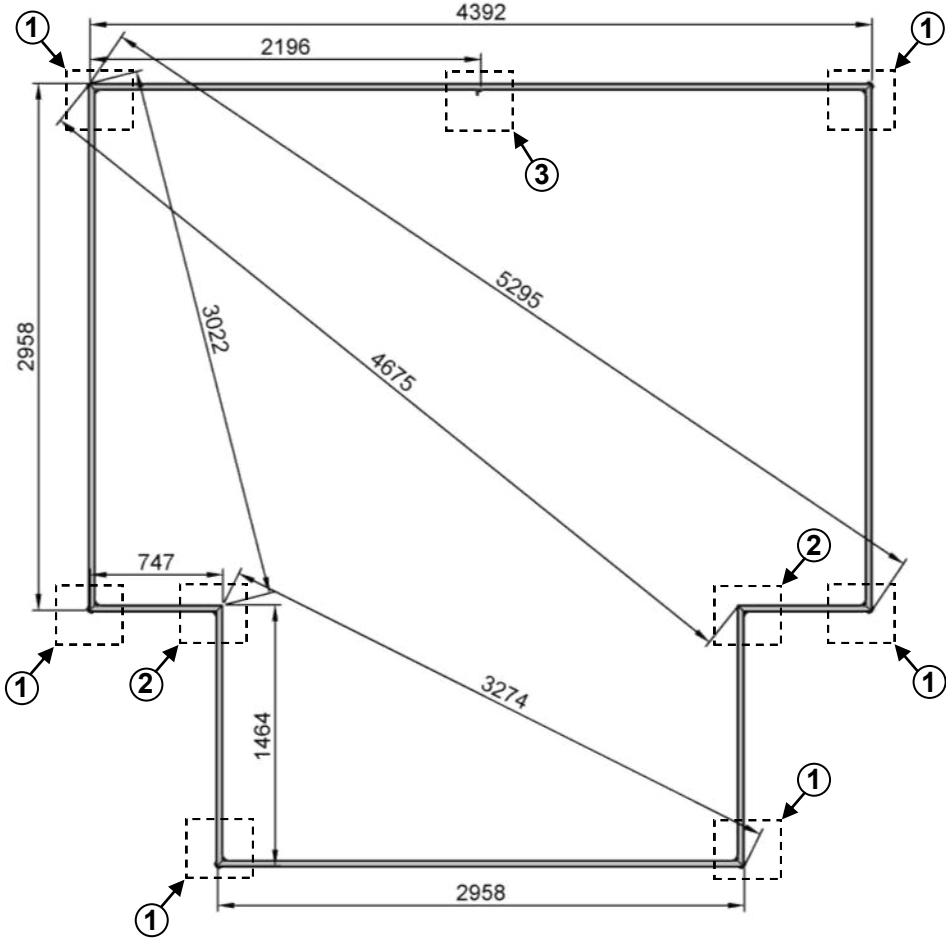
## Tools

The greenhouse is assembled by means of the following tools:

- Spirit level
- Spanner/socket spanner 8 and 10 mm
- Screw driver
- Silicone pistol
- Acetone for degreasing the frames

# Base

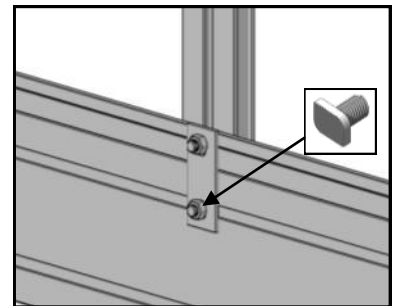
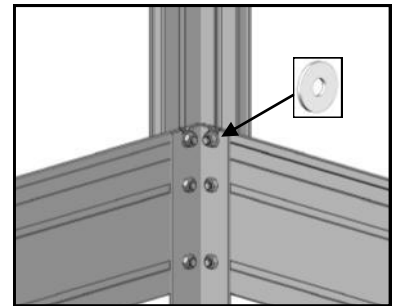
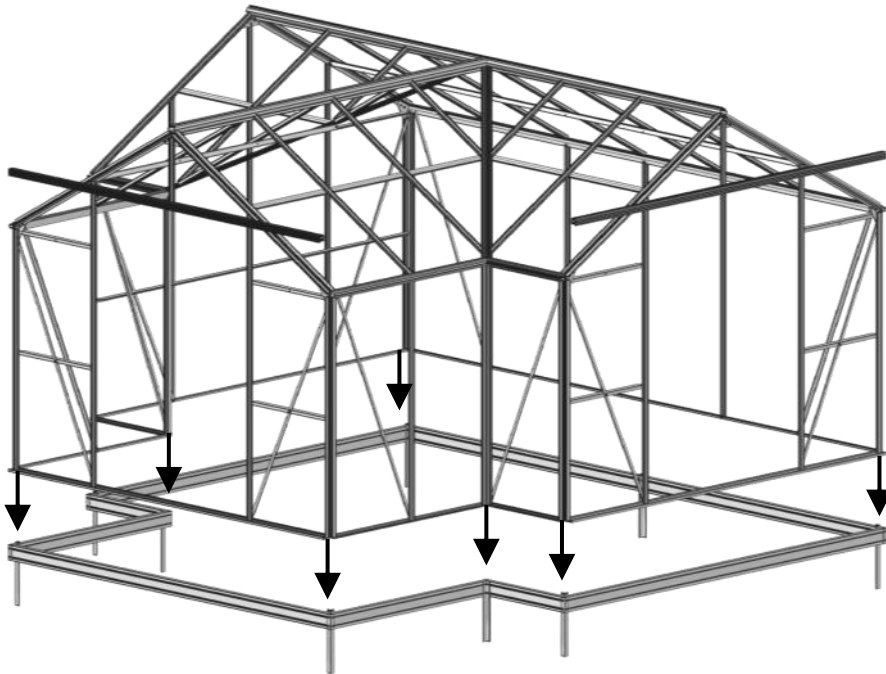
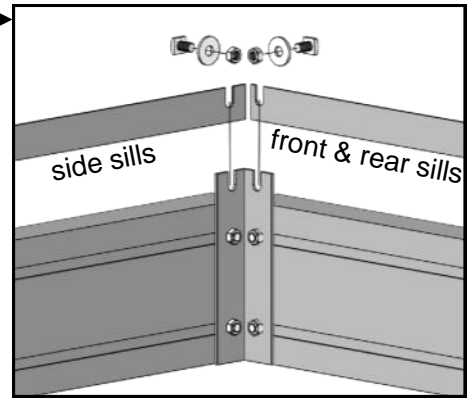
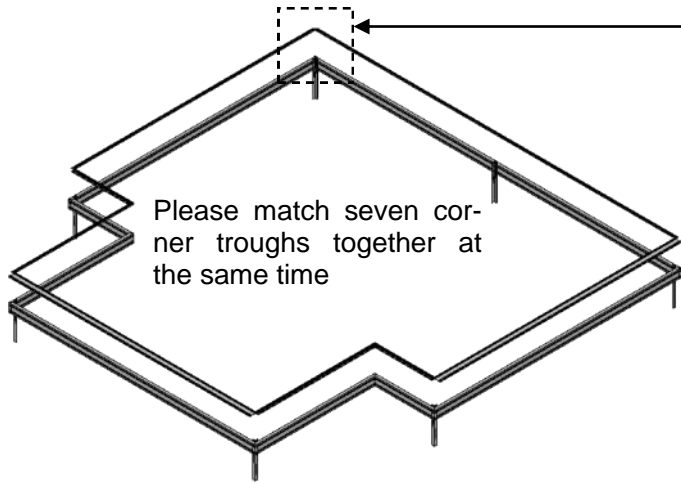
	Base	Base	Base	Base	Anchor legs	Corner-ite	Fixing tabs	M6x10	M6	M6x10 Crop	Washer
<b>GTA10</b>	1x4392	3x2958	2x747	2x1464	9	6	19	58	77	19	13




only cut in image 2

# Base

**IMPORTANT** Before assembling aluminium base, the end trough centers of seven legs should match both end trough centers of side sills and front & rear sills at the same time.

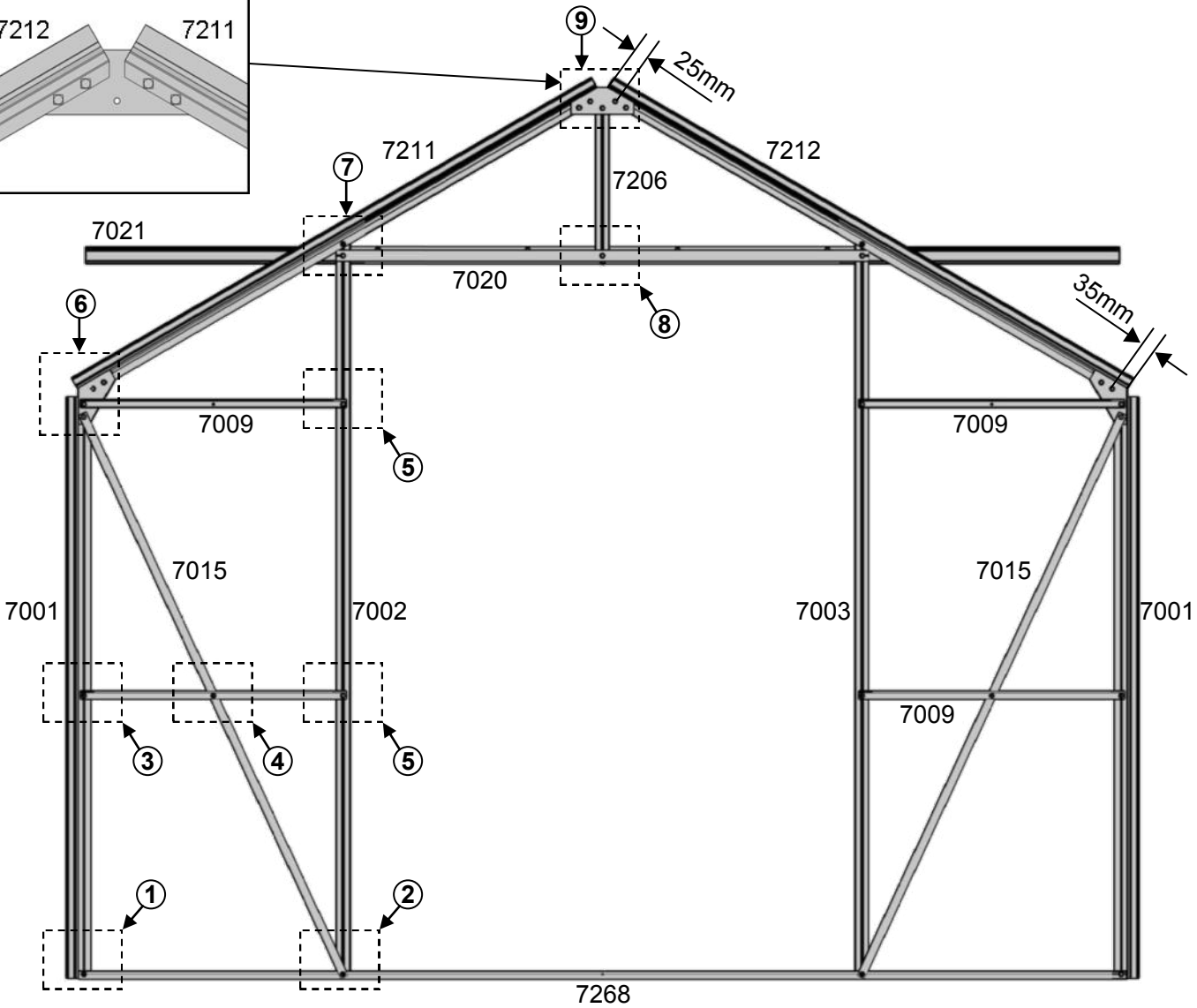
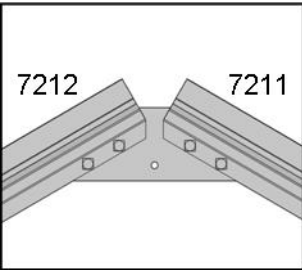


	
#	m5
GTA10	24

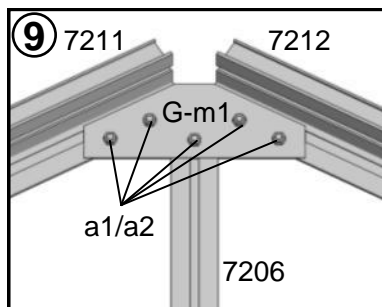
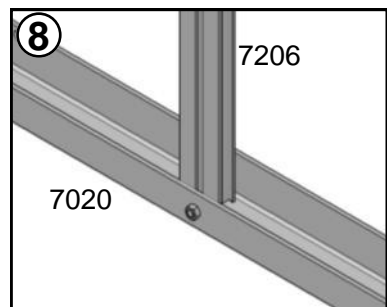
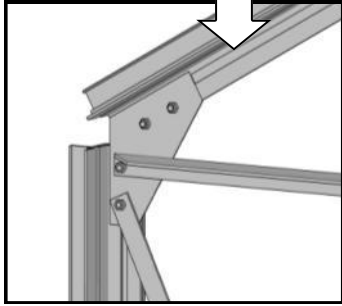
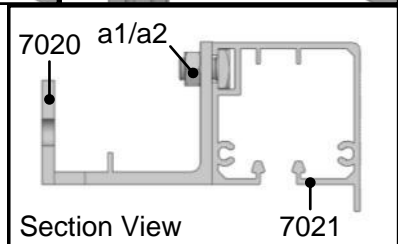
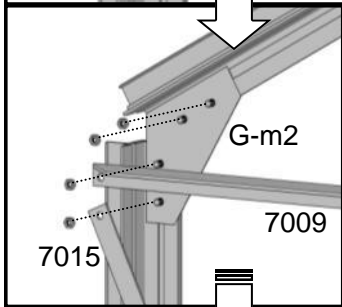
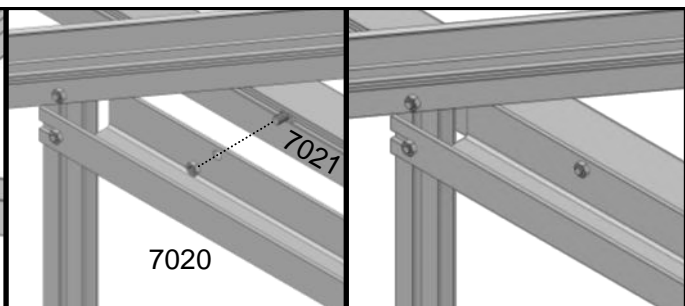
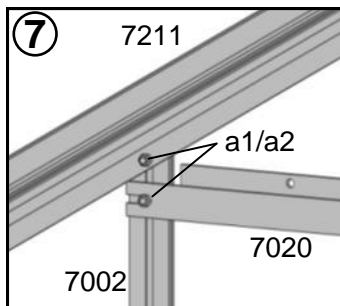
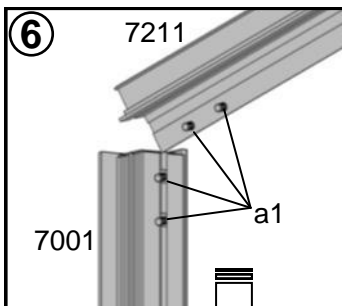
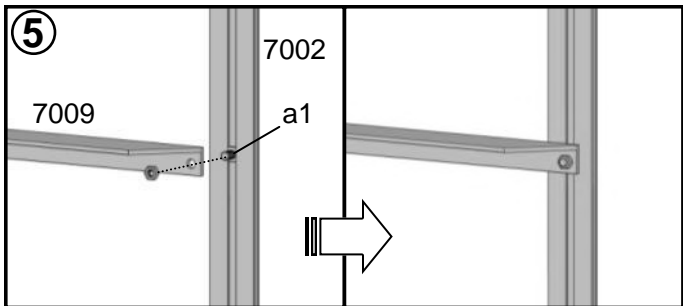
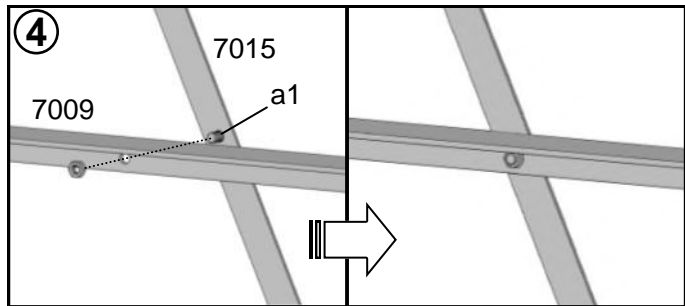
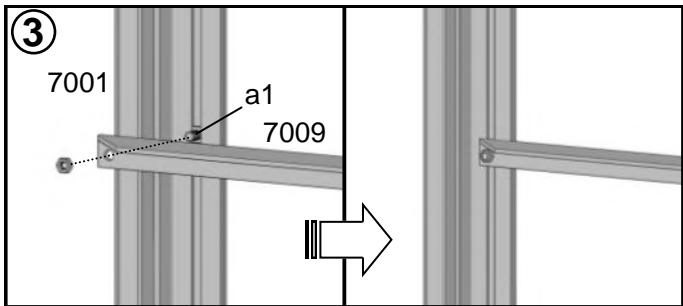
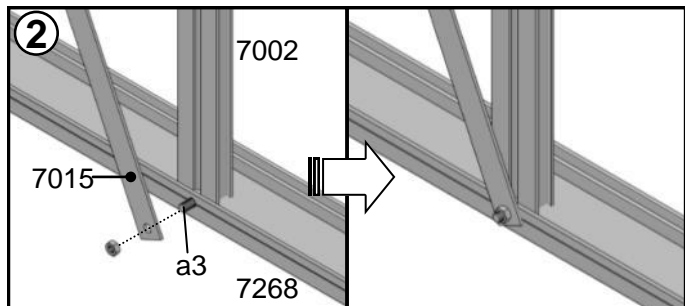
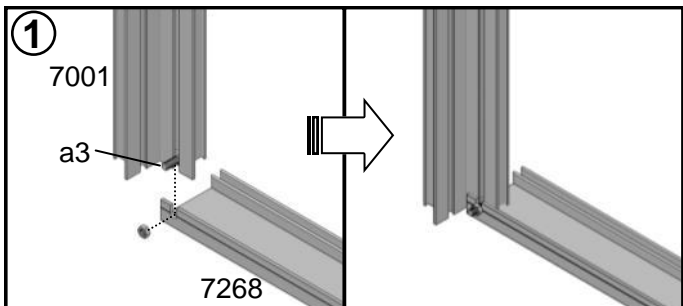
# Front Gable

#	7001	7002	7003	7206	7268	7009	7211	7212	7015	7020	7021
Size	1600	2043	2043	446	2896	733	1656	1656	1712	1456	2856
QTY	2	1	1	1	1	4	1	1	2	1	1

#	a1	a2	a3	G-m1	G-m2	G-p1	a20
Size	M6x10	M6	M6x15	-	-	-	-
QTY	30	34	4	1	2	1	34



# Front Gable

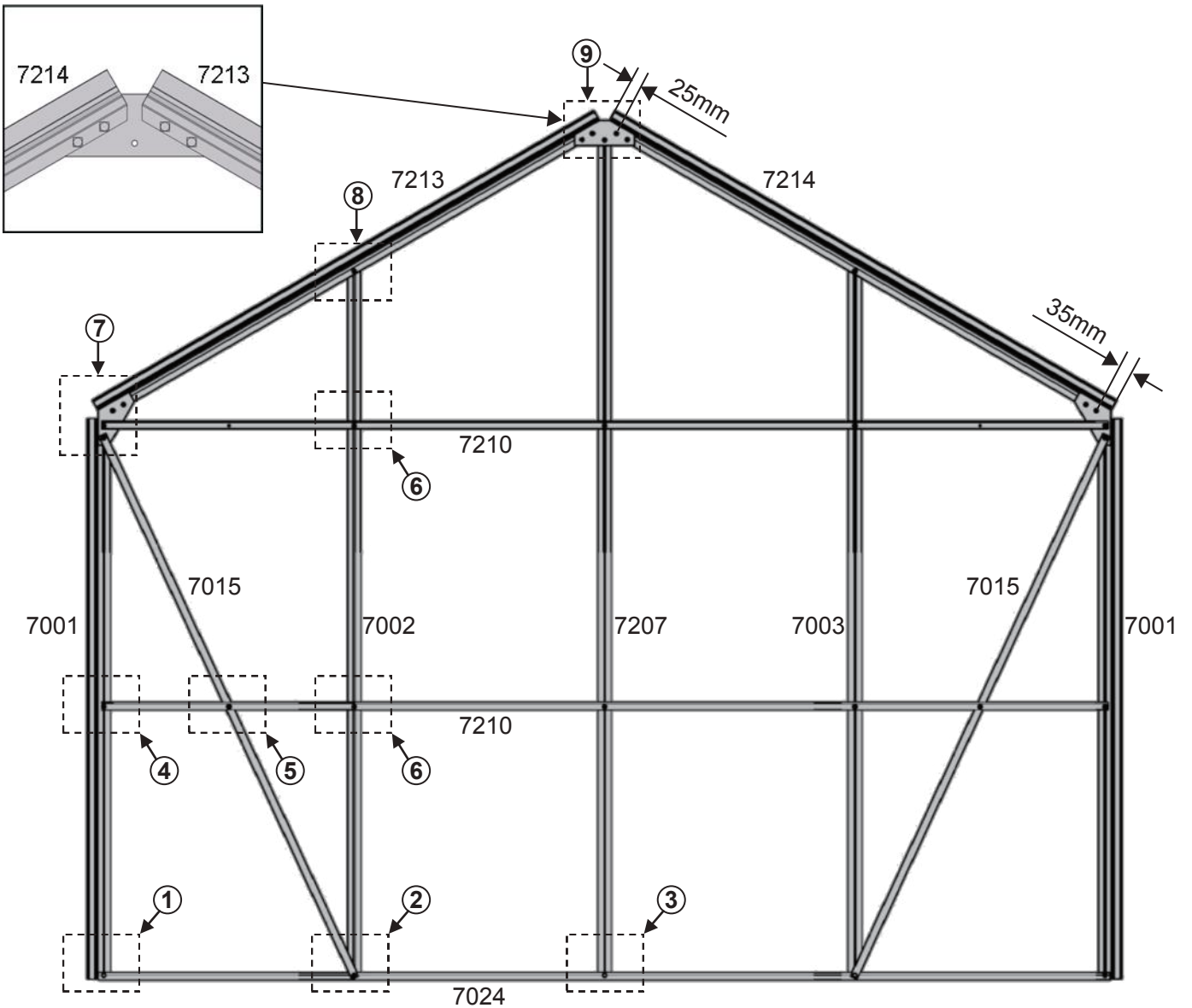




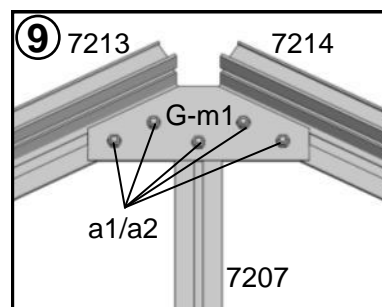
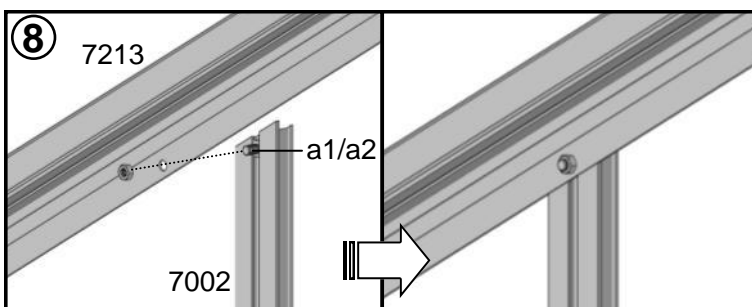
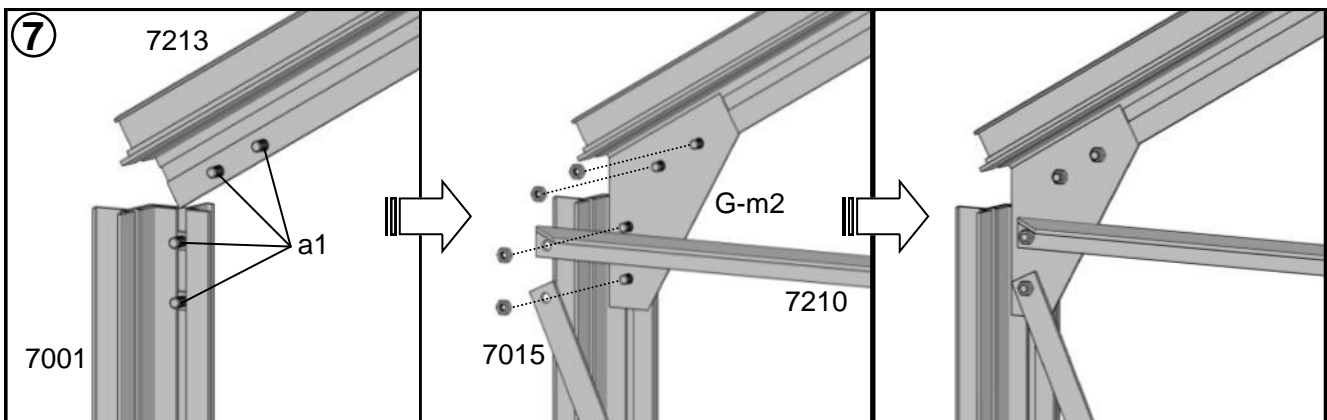
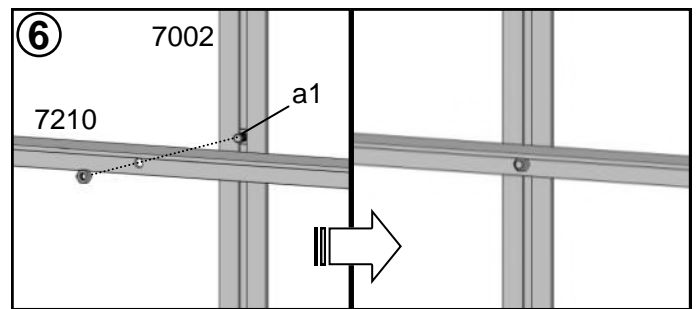
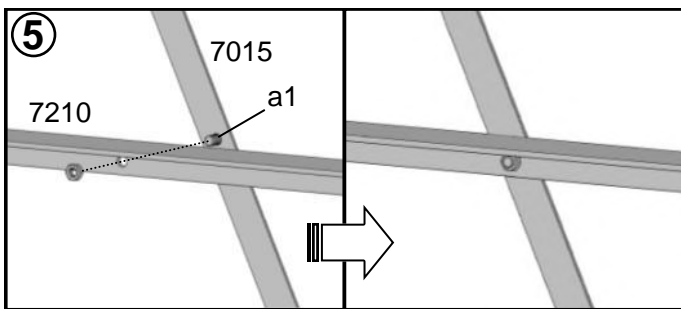
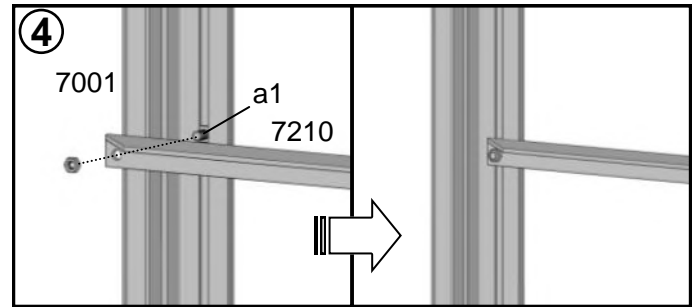
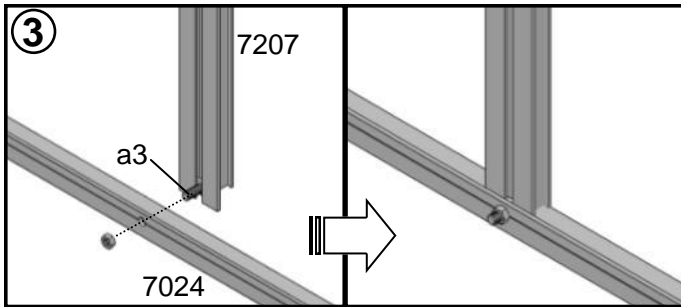
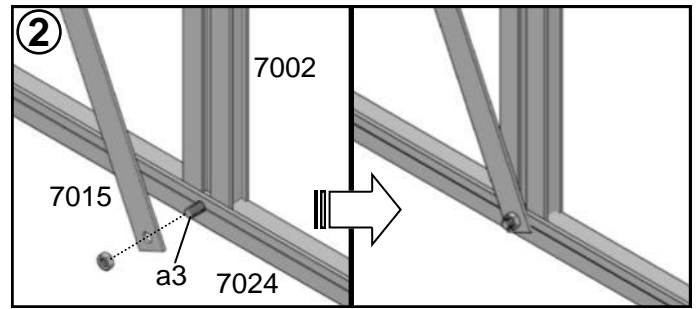
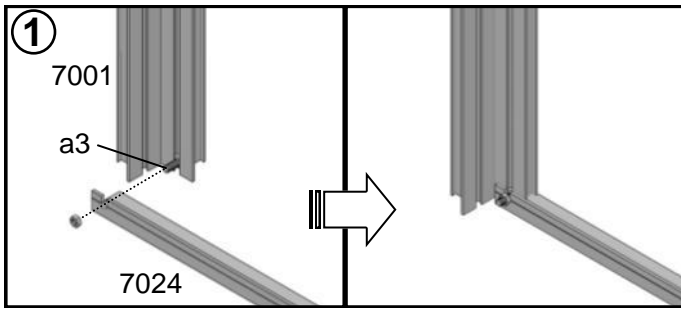
# Rear Gable

#	7001	7002	7003	7207	7024	7210	7213	7214	7015
Size	1600	2043	2043	2436	2896	2884	1656	1656	1712
QTY	2	1	1	1	1	2	1	1	2

#	a1	a2	a3	G-m1	G-m2	G-p1	a20
Size	M6x10	M6	M6x15	-	-	-	-
QTY	25	30	5	1	2	1	30



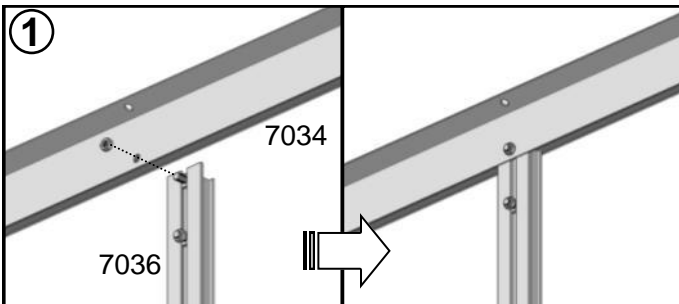
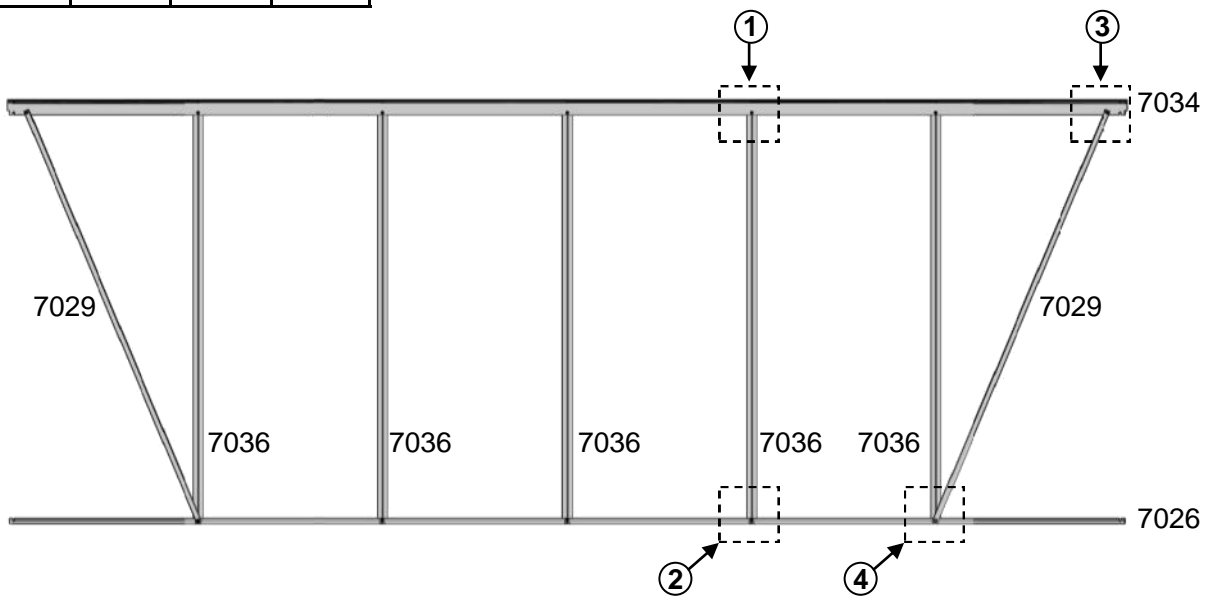
# Rear Gable



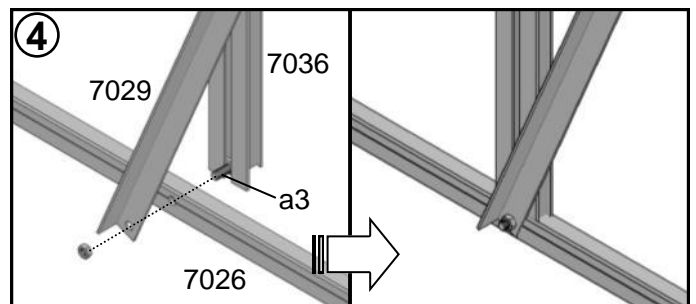
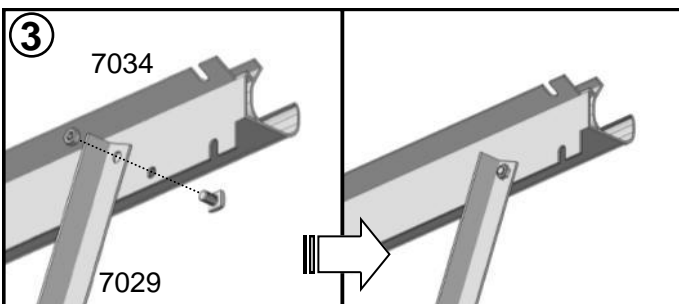
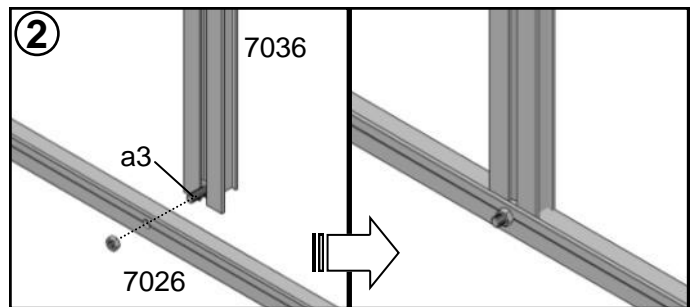
# Side wall

#	7026	7029	7034	7036	7401	7402	7403	7404	7405	7406	7407	7408	7409
Size	4330	1732	4353	1600	1600	1433	716	1433	716	1458	741	1458	741
QTY	1	6	1	7	2	1	1	1	1	1	1	1	1

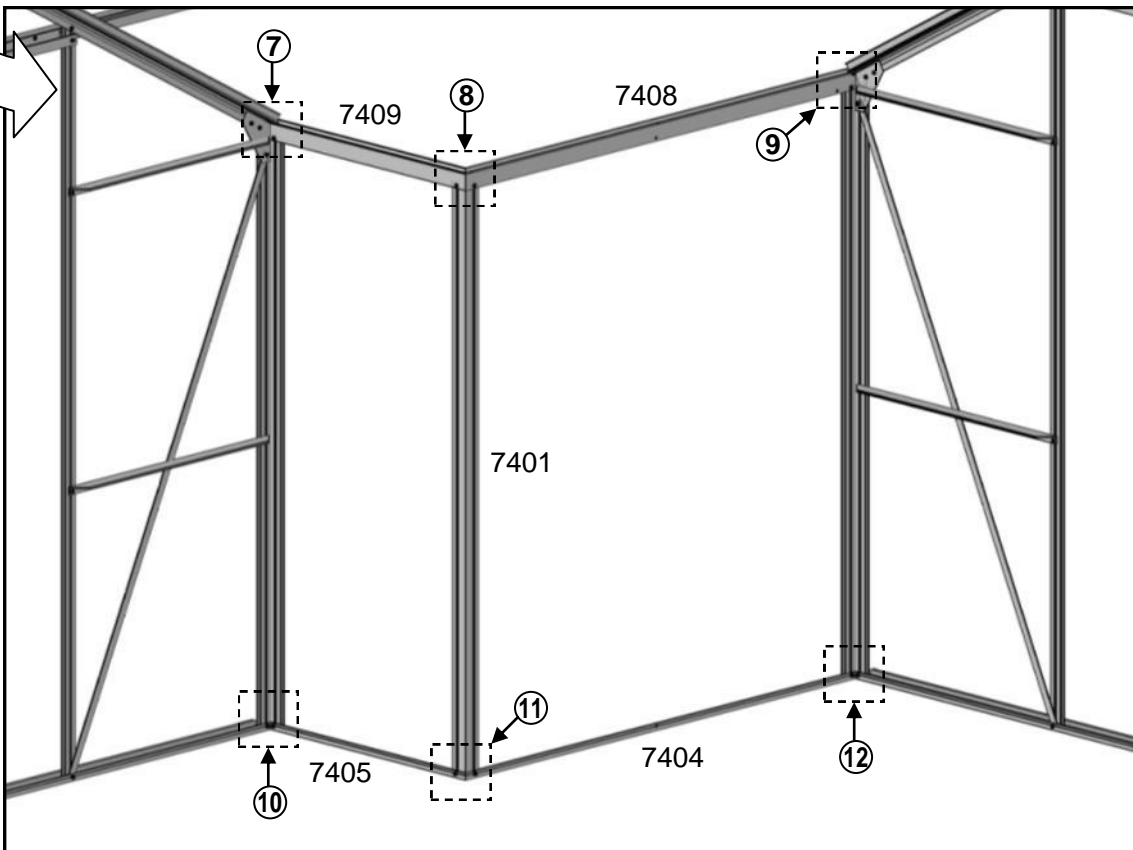
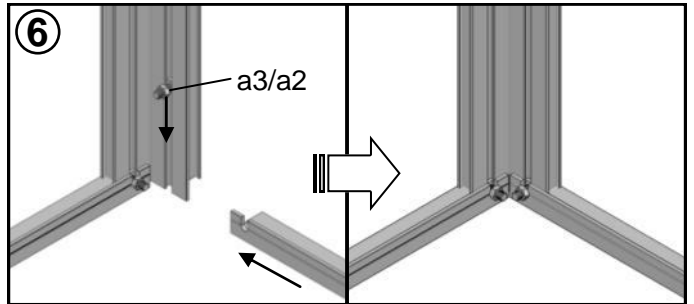
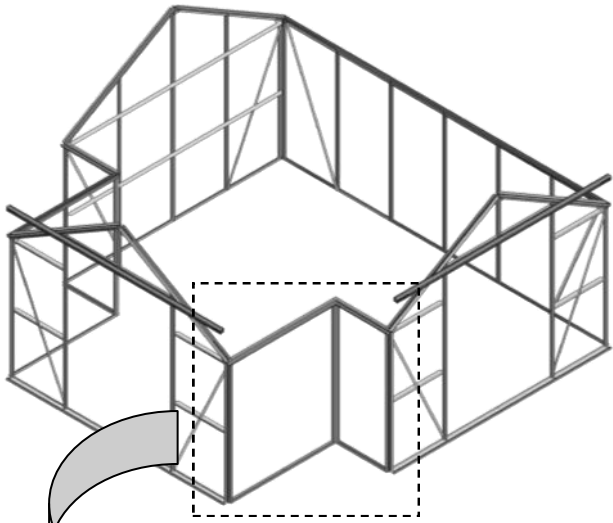
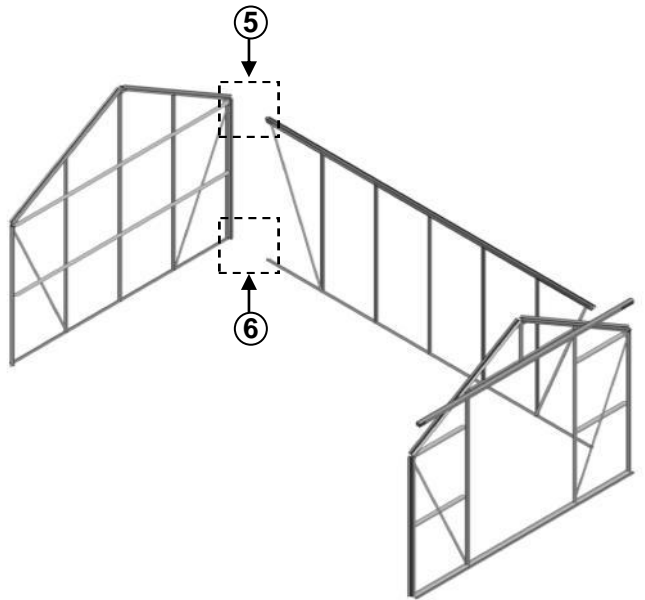
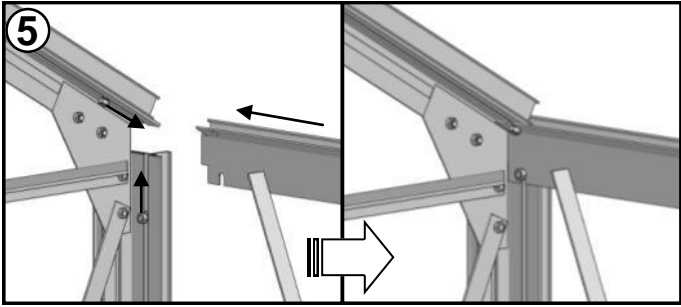
#	a1	a2	a3	a20
Size	M6x10	M6	M6x15	-
QTY	38	55	17	55



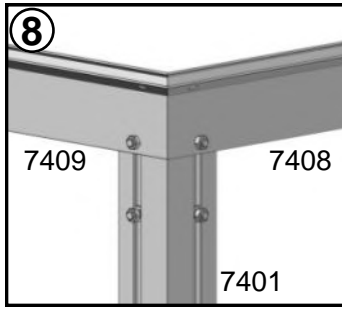
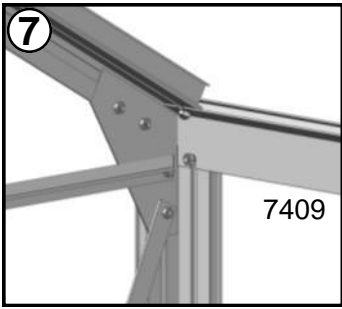
**Note:** Please add extra bolt into channel for eave cantilever use in advance.



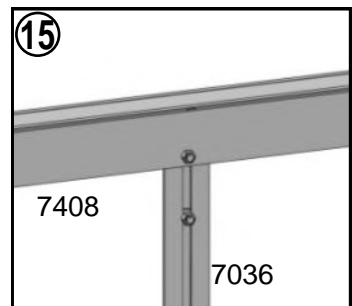
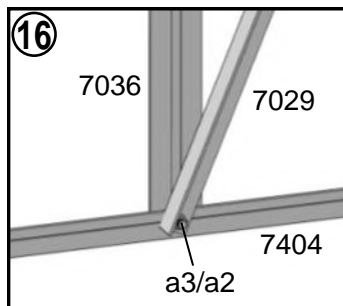
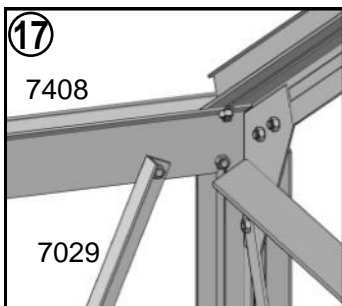
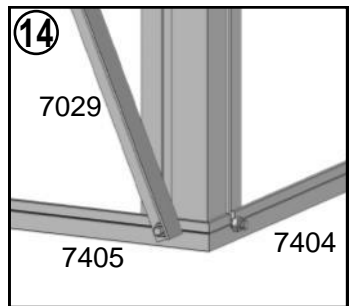
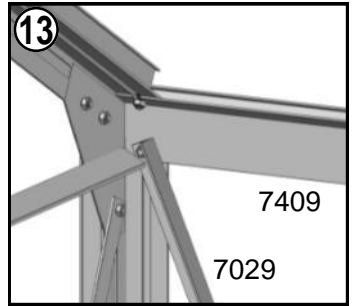
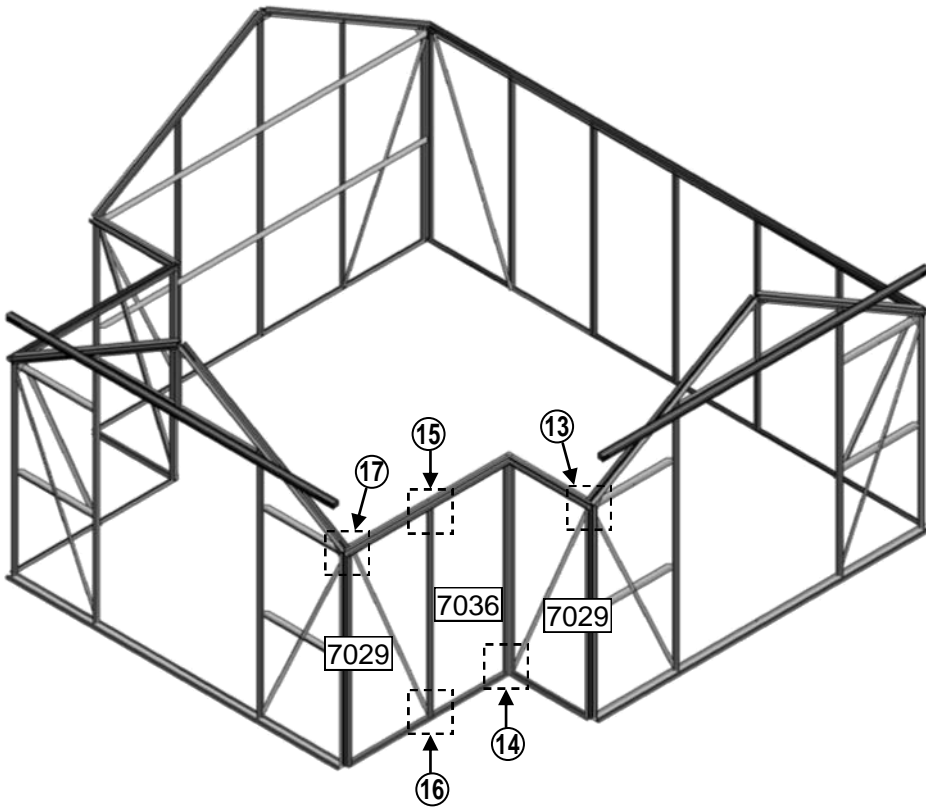
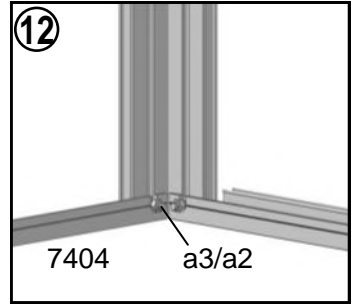
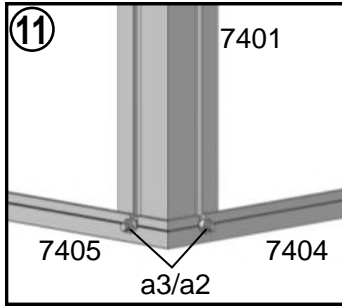
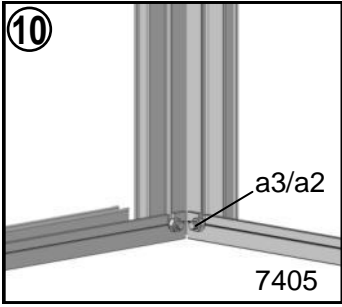
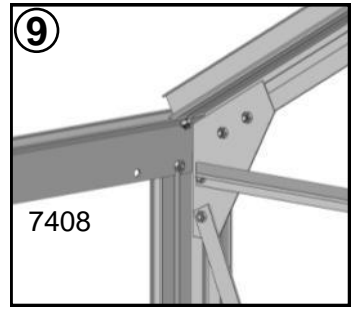
# Side wall



# Side wall



**Note:** Bolts need to be slid into corner bars for eave cantilever bracing use later.



**12**

**Note:** Bolts need to be slid into glazing bars for eave cantilever bracing use later.

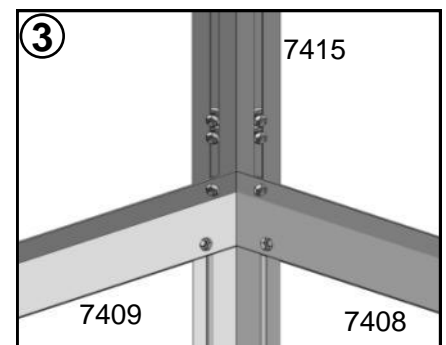
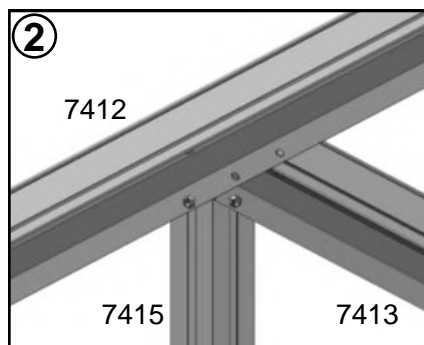
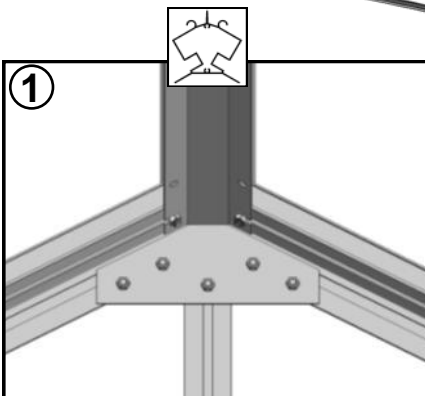
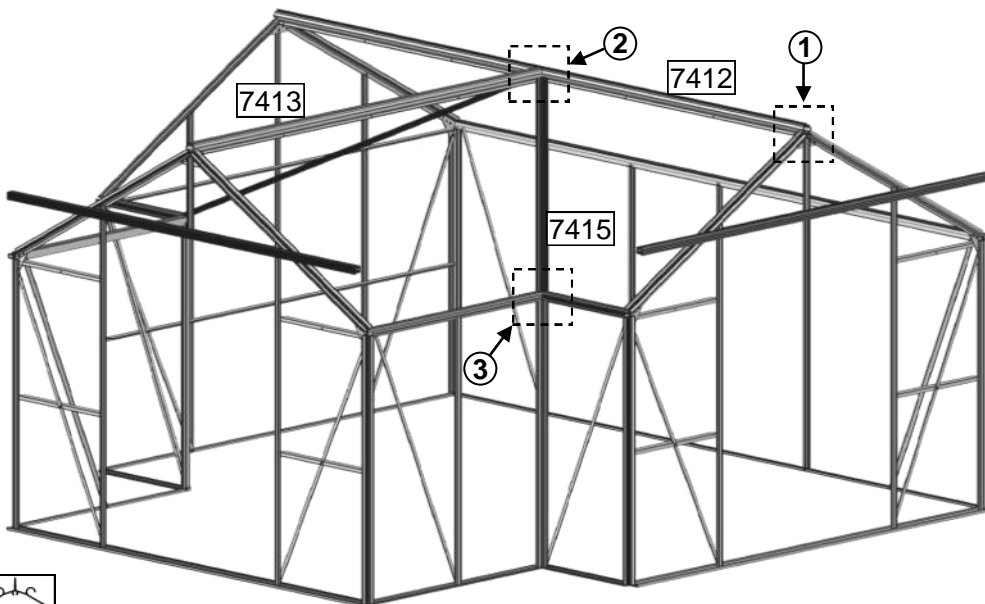
# Roof

#	7412	7413	7415	7420	7421	7422	7423	7244	7045	7046	7049	7252	7427
Size	4353	2882	2222	1602	1602	774	774	1656	1449	2166	4317	1781	1769
QTY	1	1	2	2	2	2	2	7	2	2	1	4	2

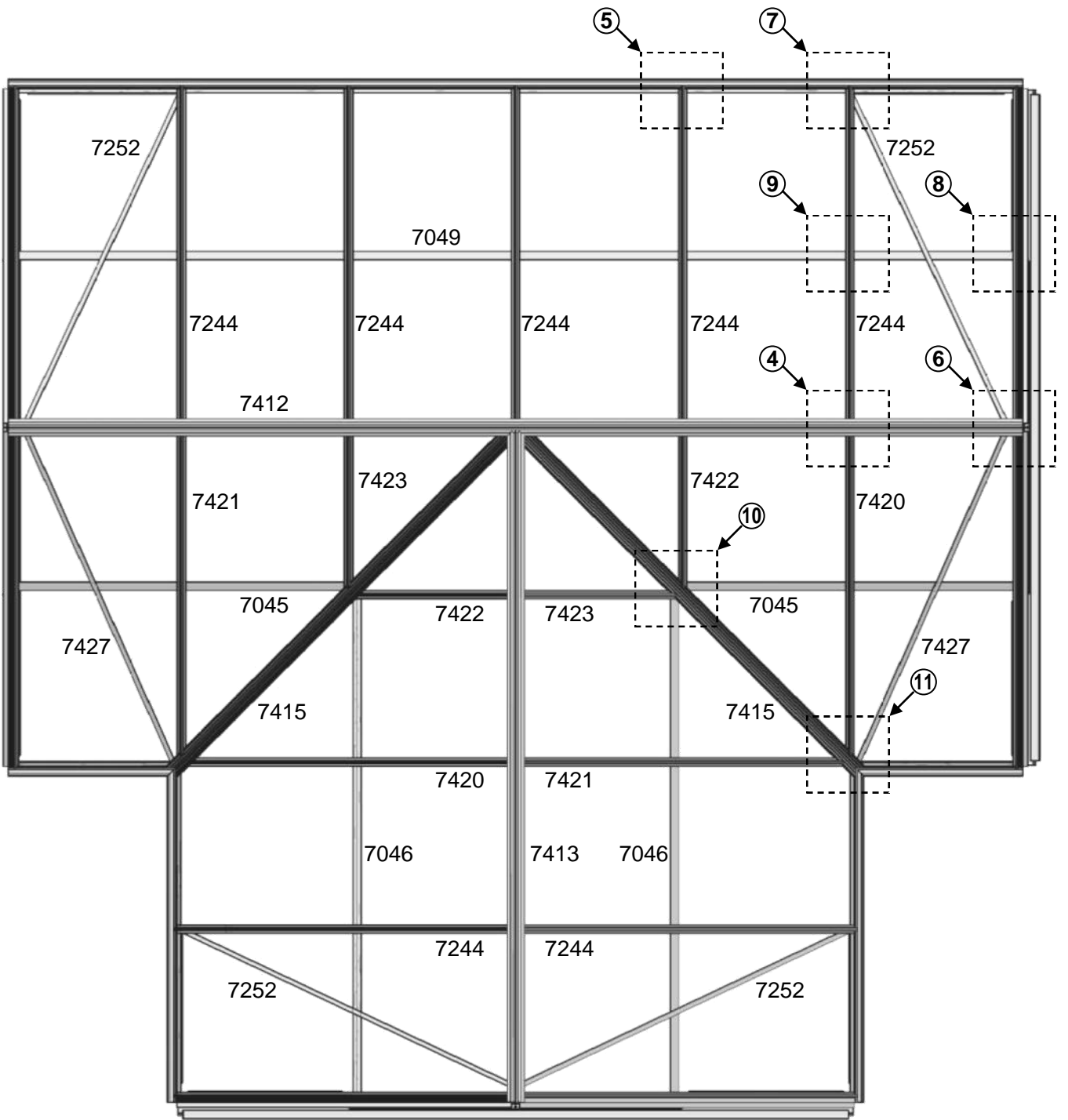
#	7037	7251	a1	a2	a20	m3
Size	468	616	M6x10	M6	-	-
QTY	11	7	117	117	117	8

## VERY IMPORTANT:

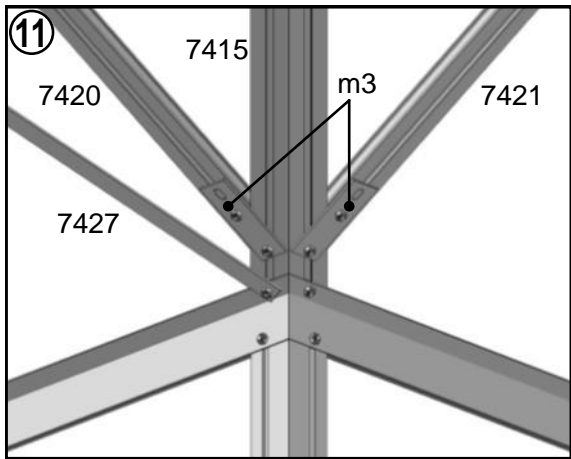
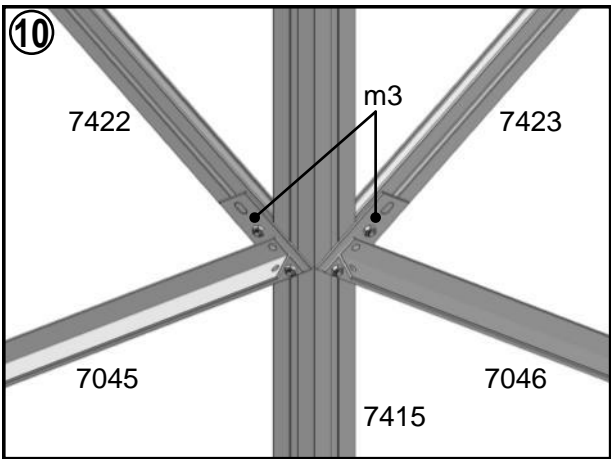
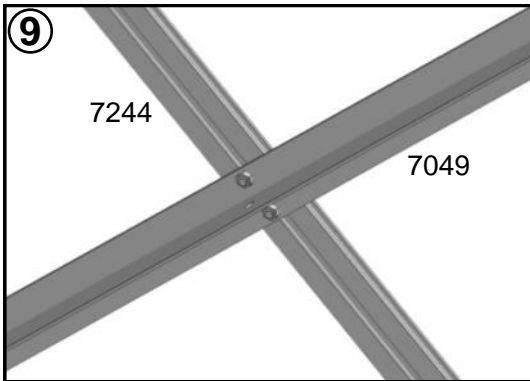
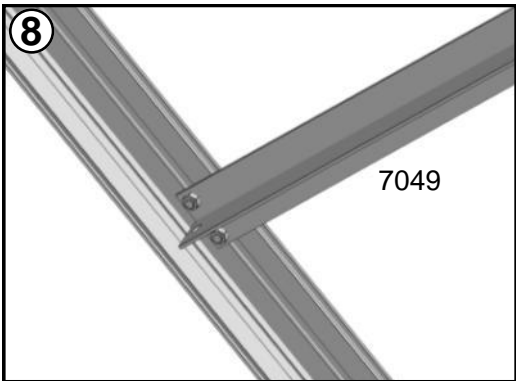
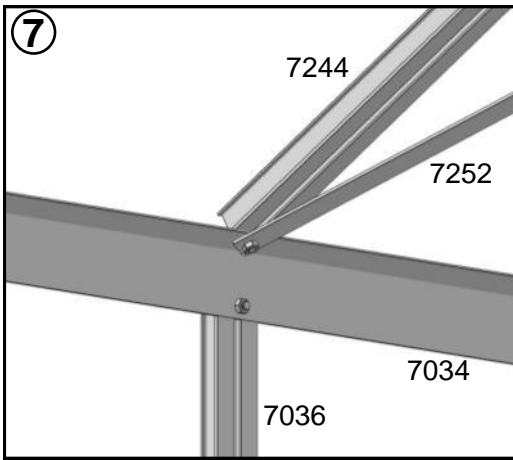
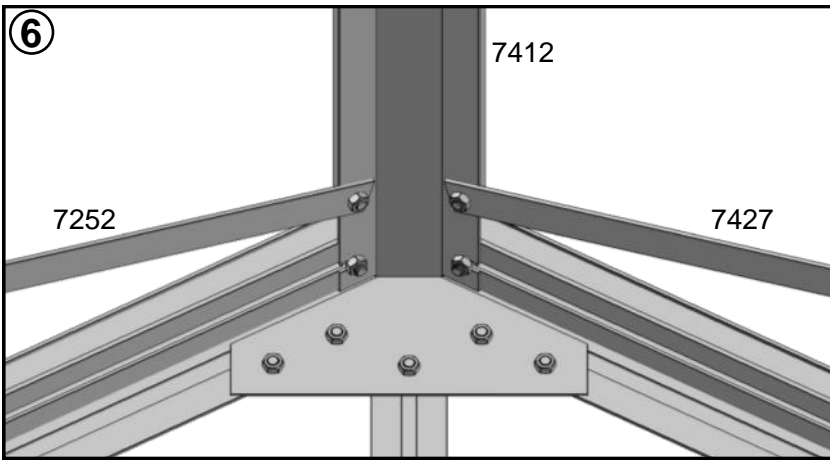
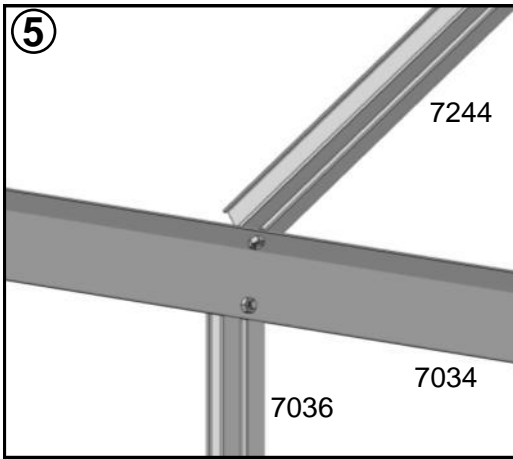
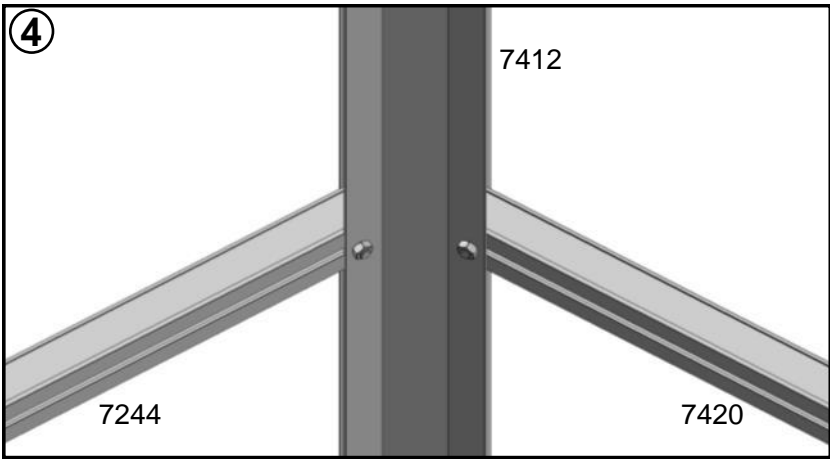
1. Before attaching roof bars to structure, bolts will need to be slid into each roof bar for the ridge cantilever, two more for hanging basket rail, one more for the eave cantilever bracing between the roof and the side, one more for the vent slam bar attaching (If vent position to be decided).
2. Prior to tightening the roof bars to structure. Please ensure that the roof bar is pushed up hard against the ridge and the gutter bar.
3. In order to avoid the result in a slight outside bow of the gutters and a slight downward dip to the ridge. Please support the ridge at the center of greenhouse firstly, and then tightening the nuts of ridge cantilever and eave cantilever bracing bars.



# Roof

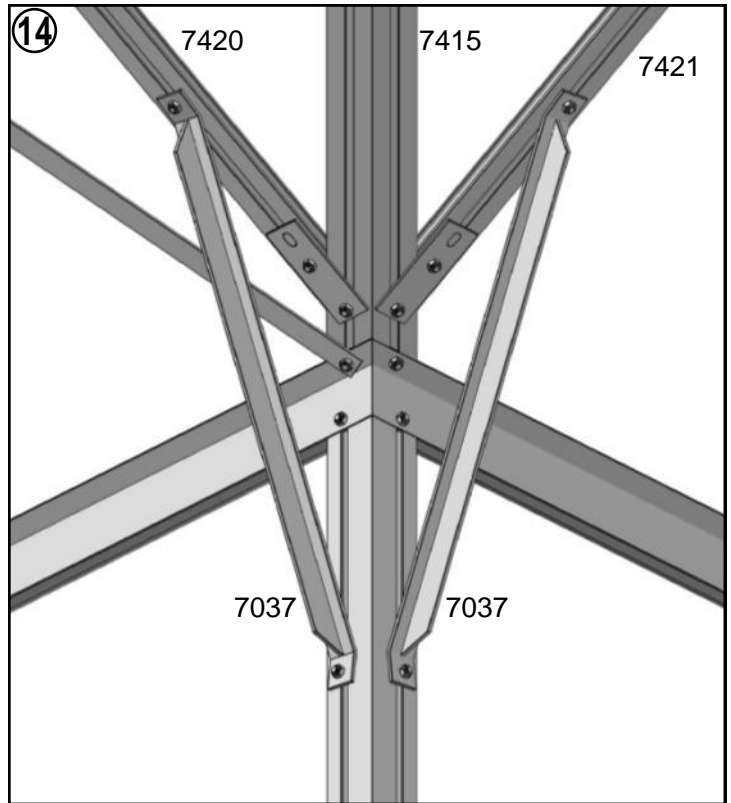
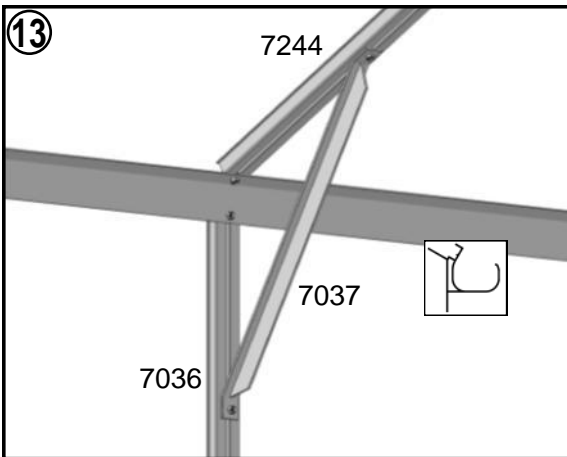
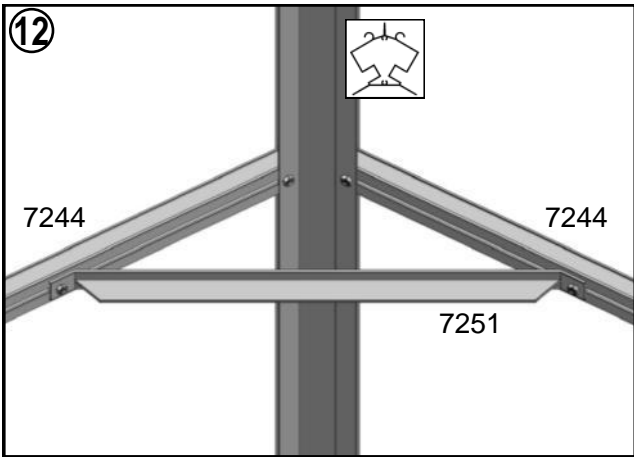
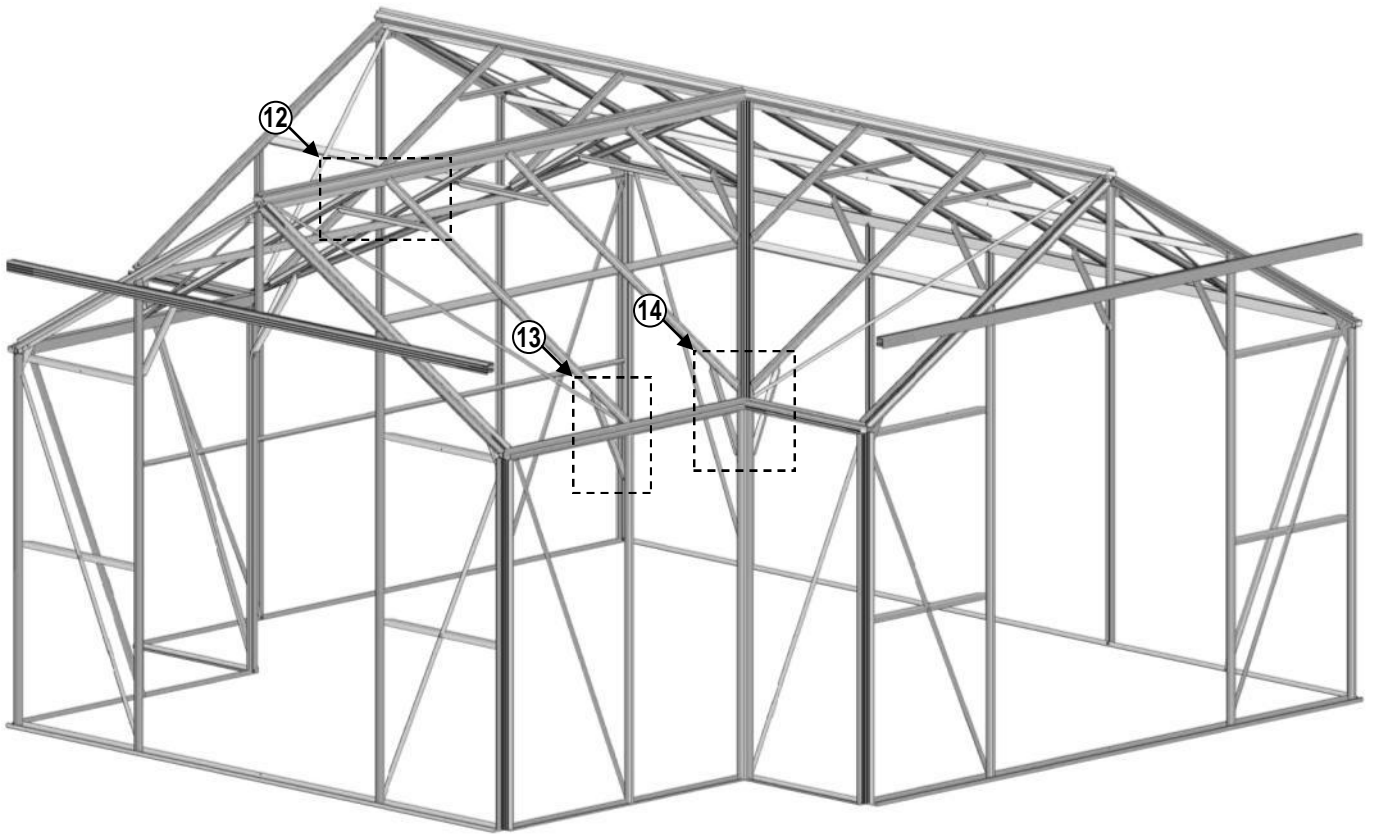


# Roof





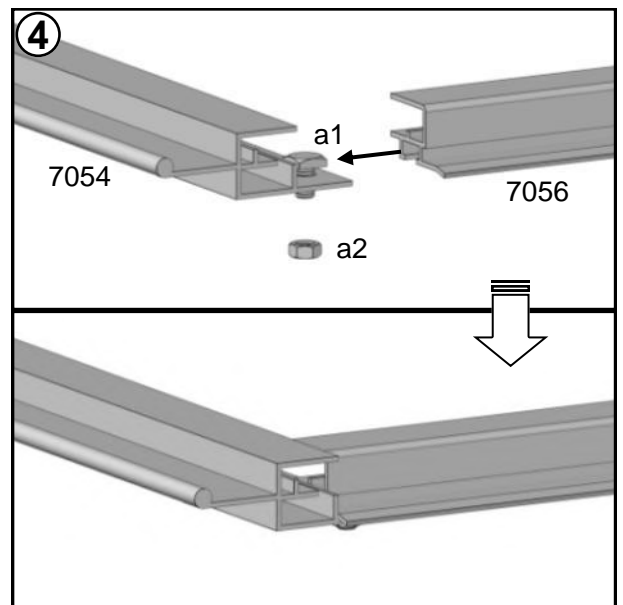
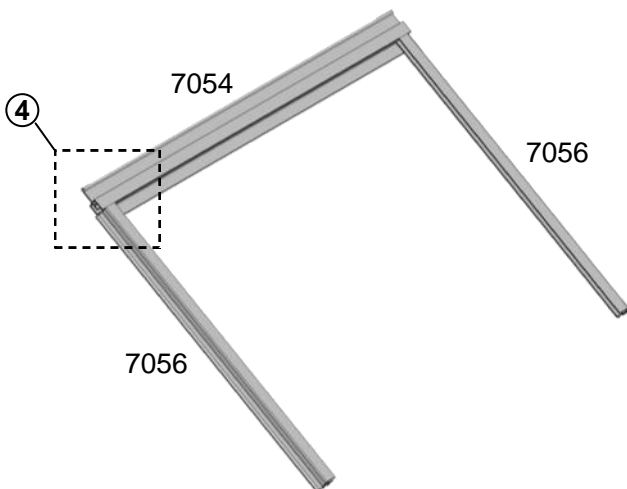
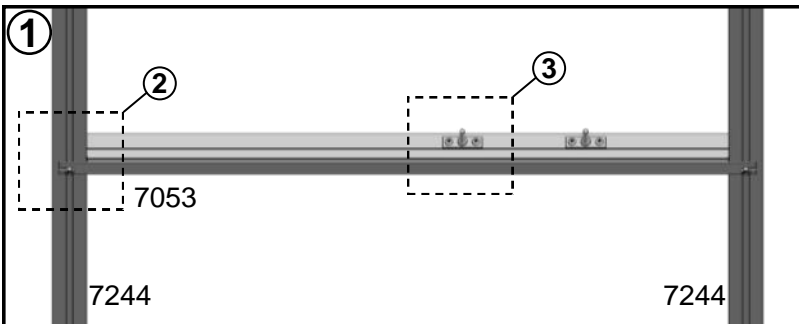
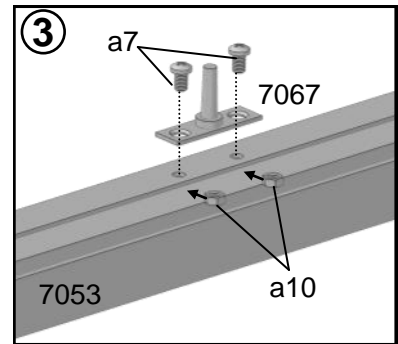
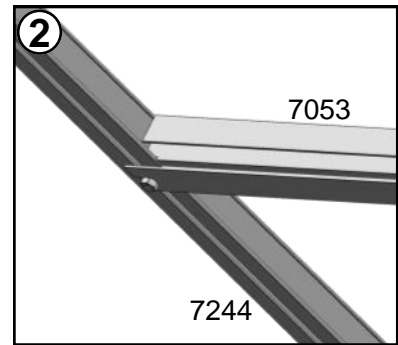
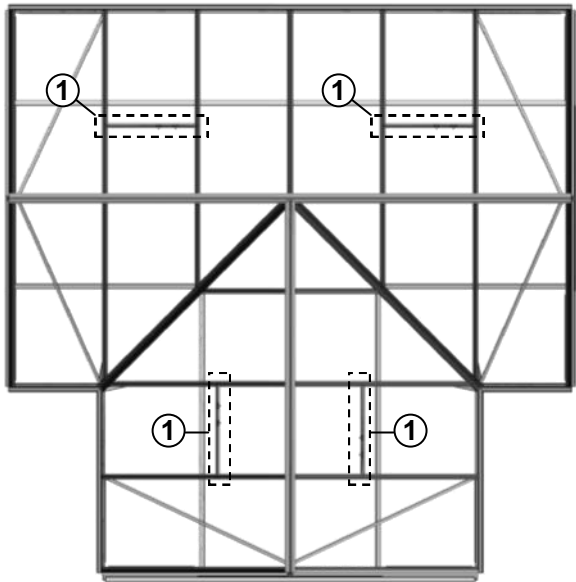
# Roof



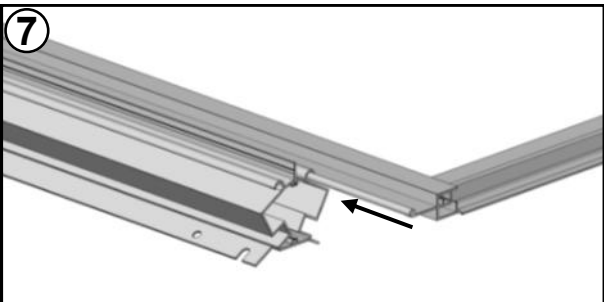
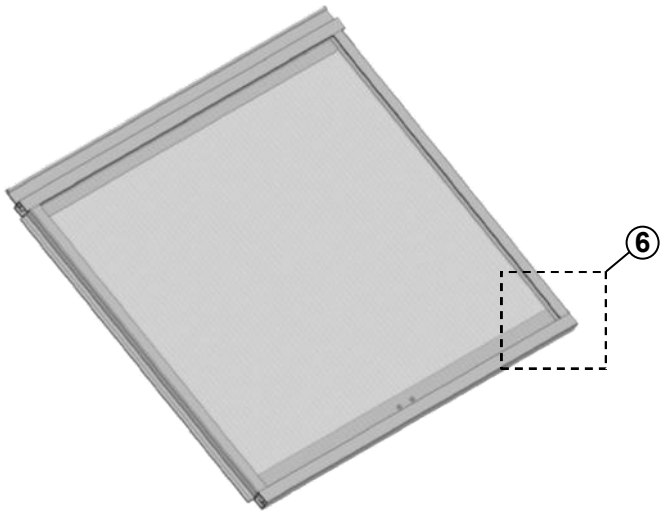
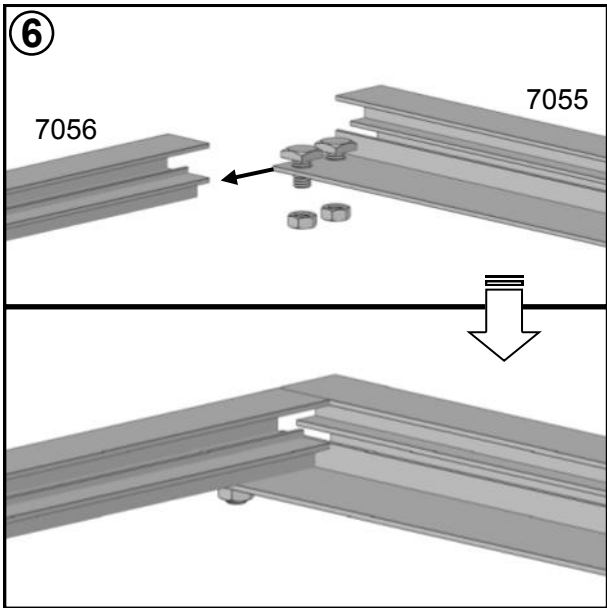
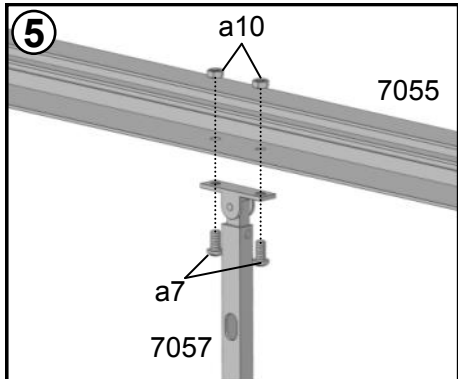
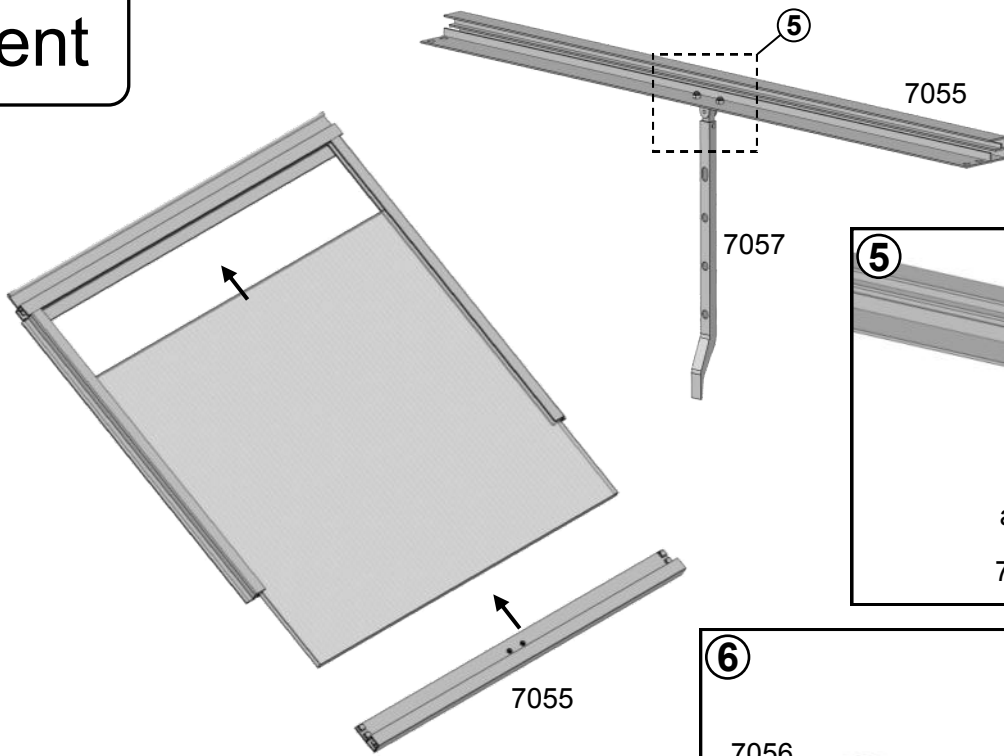
16

# Vent

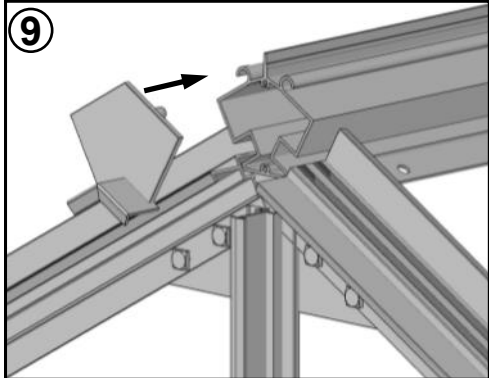
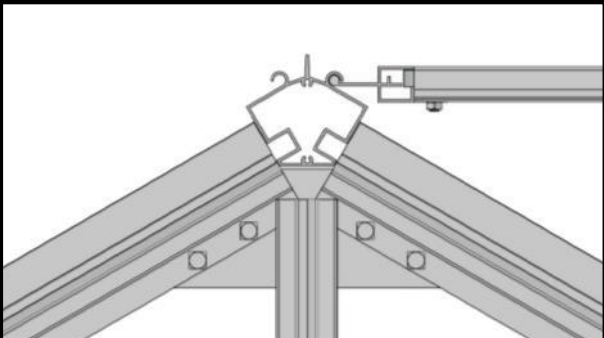
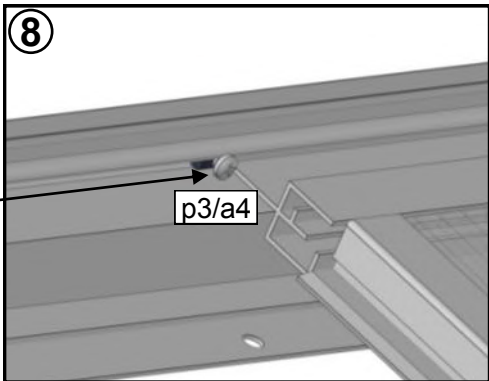
#	7053	7054	7055	7056	7057	7067	a1	a2	a4	a7	a10	p3	a20
Size	739	718	701	593	300	-	M6x10	M6	Φ3.9x8	M4x8	M4	-	-
QTY	1	1	1	2	1	2	8	8	2	6	6	2	8



# Vent

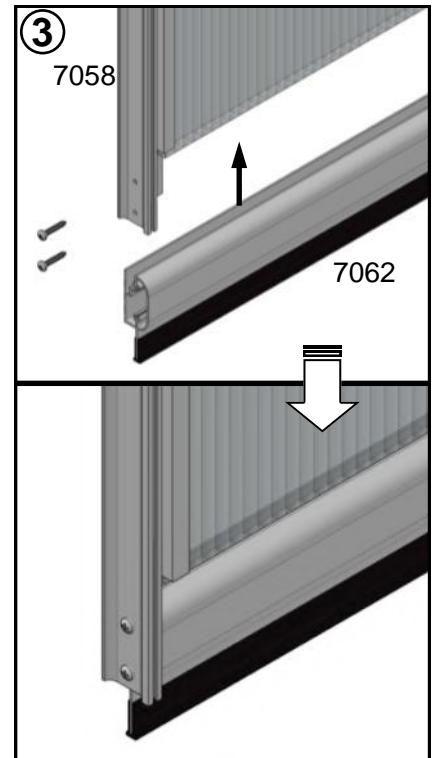
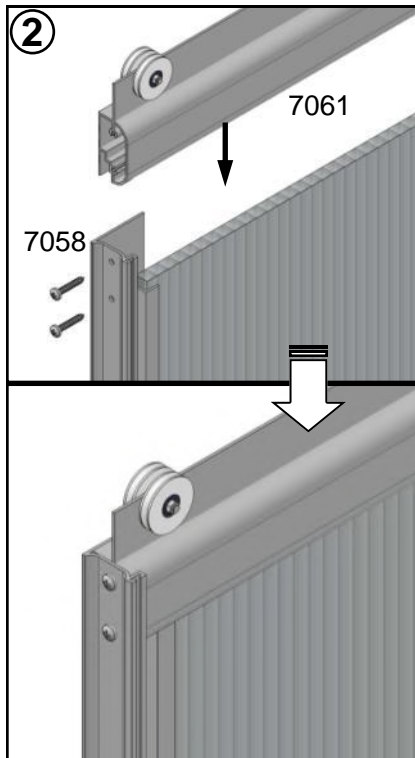
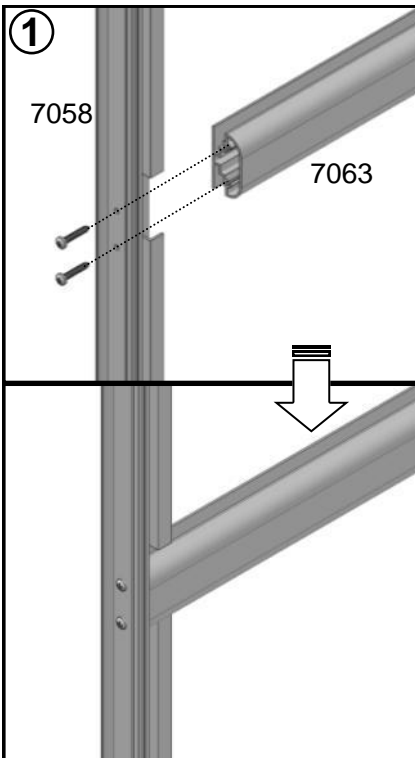
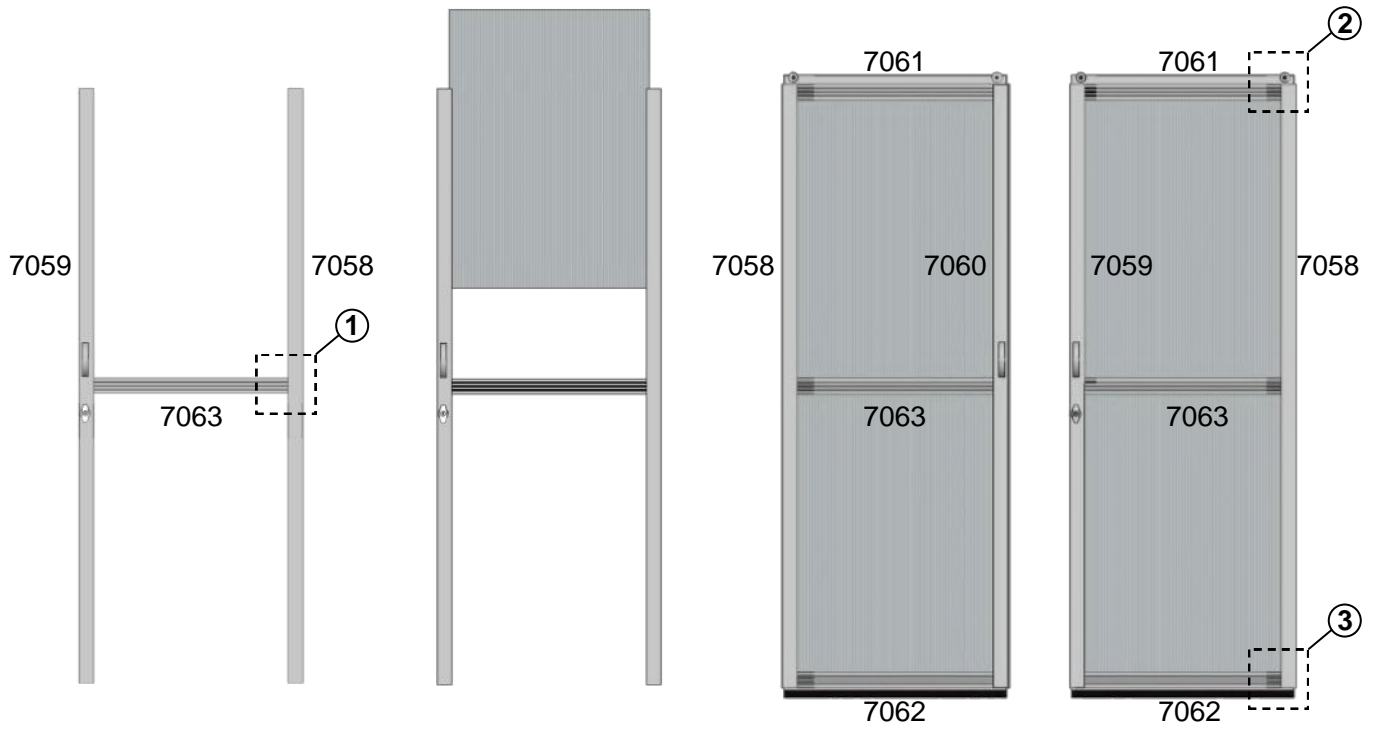


Plastic #p3 is used on both sides of the window to keep it from moving side to side. Screw #a4 will hold #p3 firmly in its place.

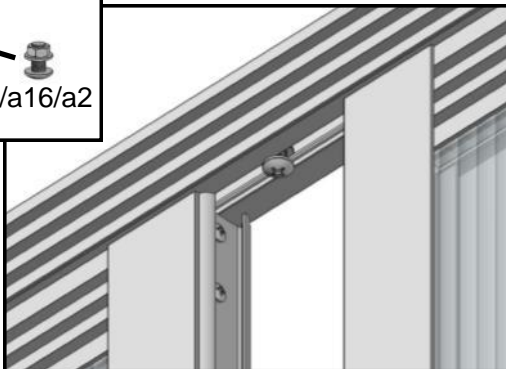
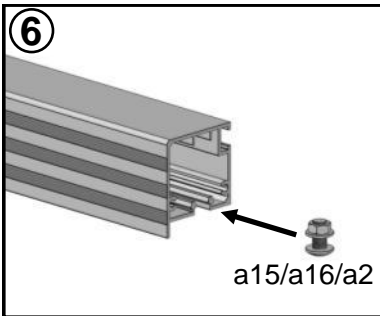
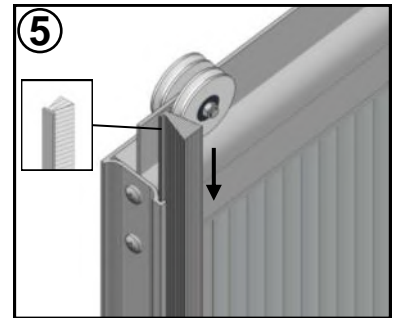
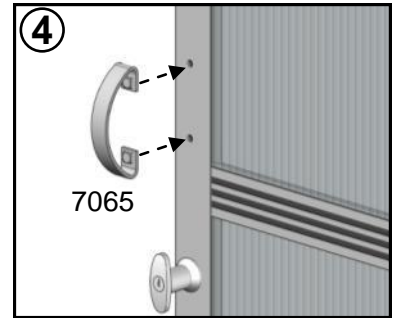
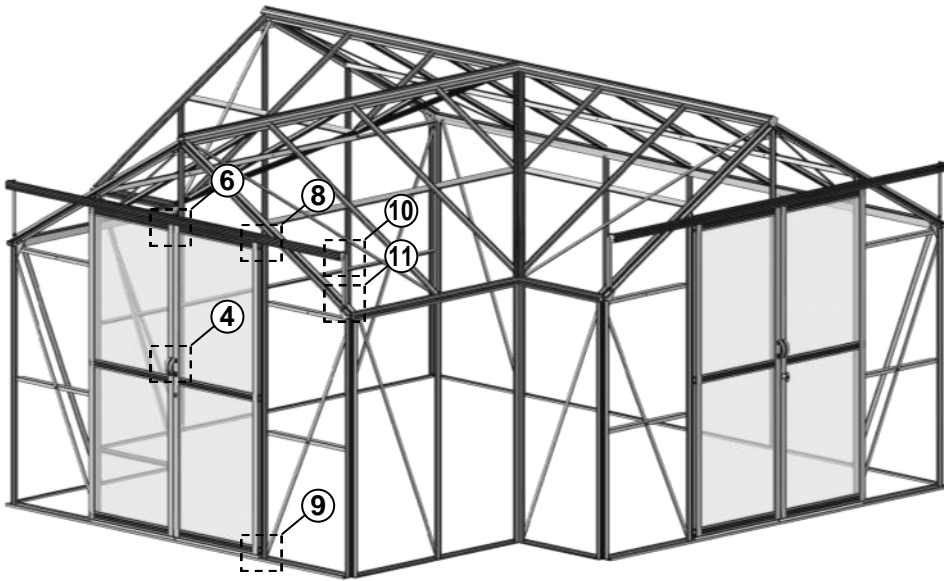


# Door

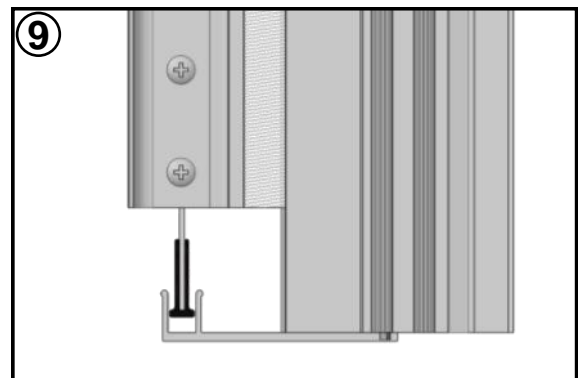
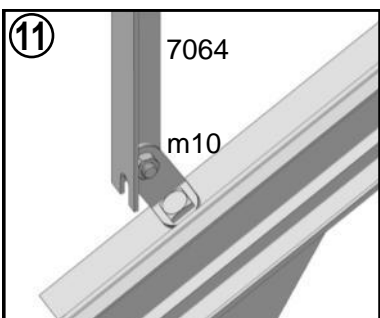
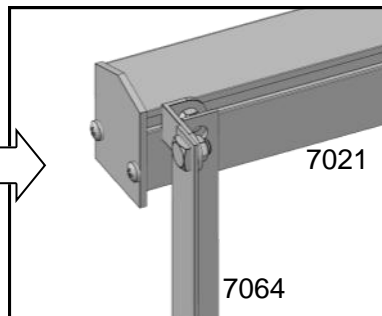
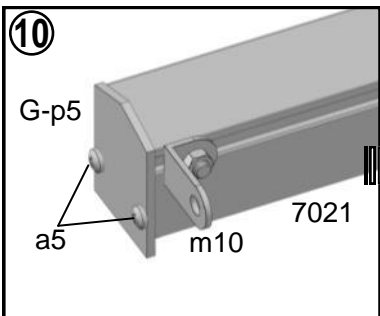
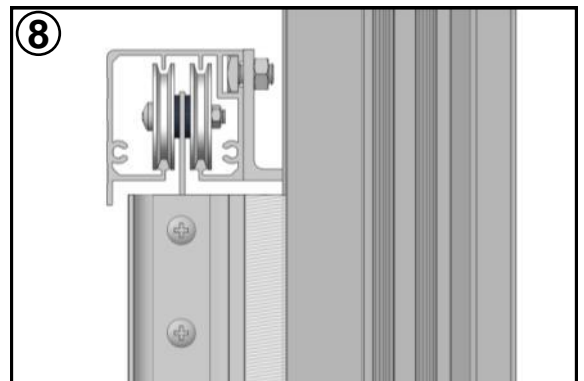
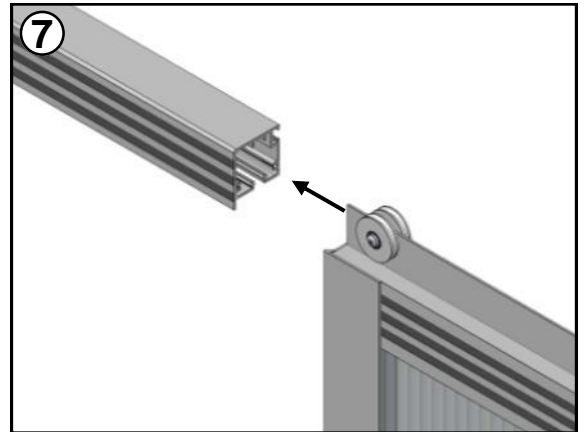
#	7058	7059	7060	7061	7062	7063	7064	7065	a1	a2	a5	a15	a16	a20	m10	G-p5	FLUFF
Size	1938	1938	1938	715	715	715	350	-	M6x10	M6	φ3.5x19	M6x12	Φ6	-	-	-	1938
QTY	2	1	1	2	2	2	2	2	12	13	28	1	1	12	4	2	2



# Door



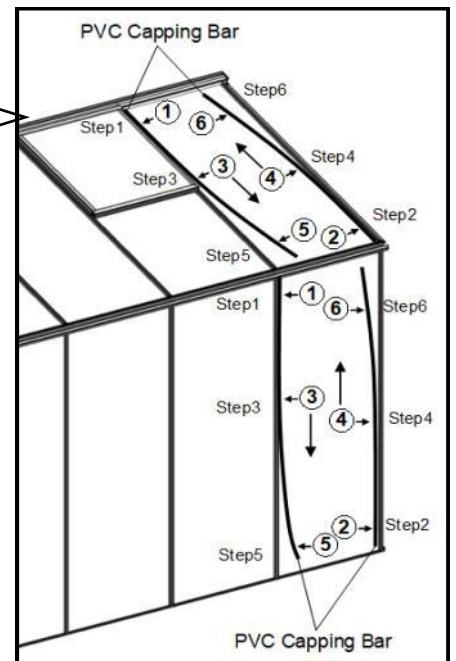
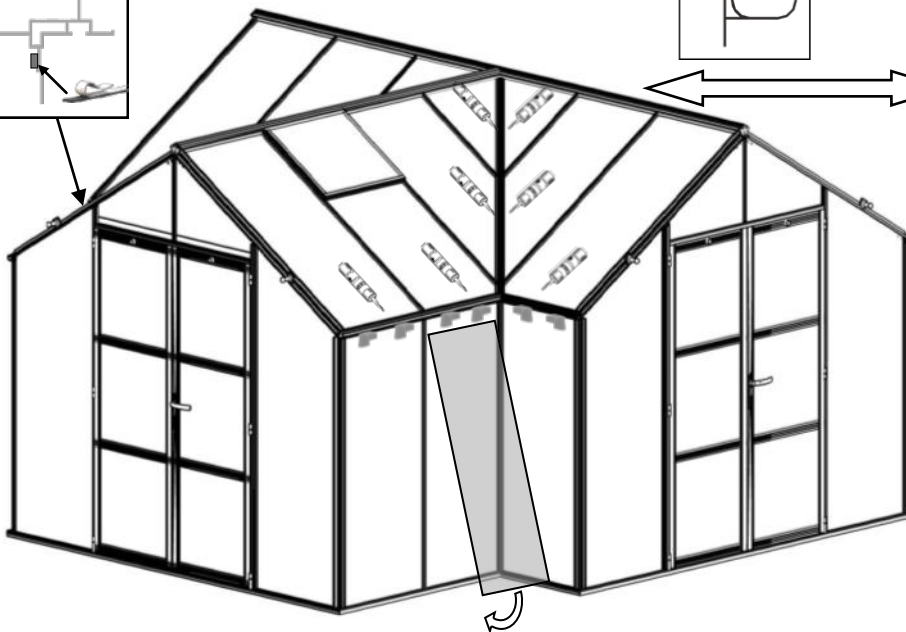
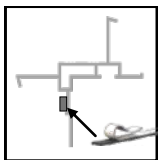
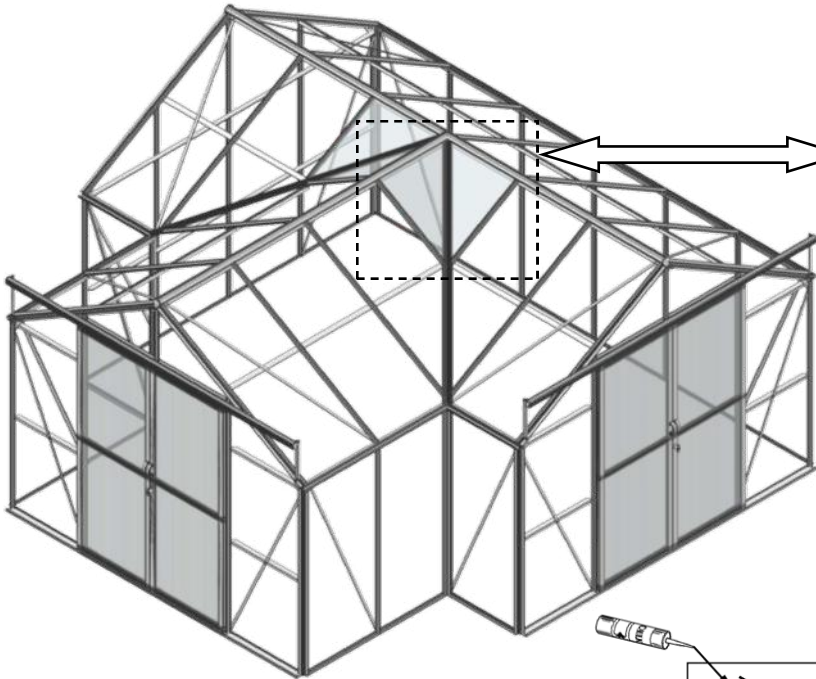
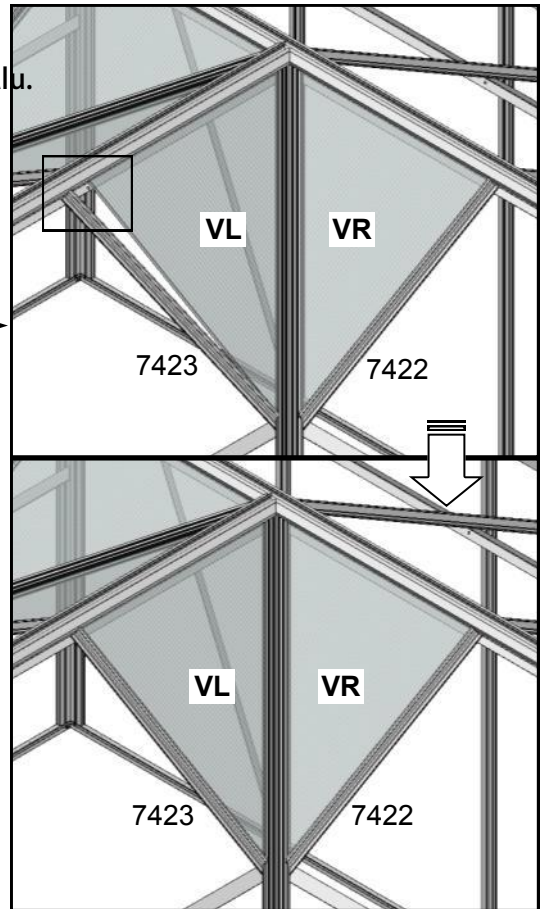
a15 round head M6x16 door stop bolt and gasket should be fixed in center of door track rail.





# 4mm Glass

**Note:** Please loose glazing bar #7423 & #7422 before inserting "V" panel into Alu. Profile channel.

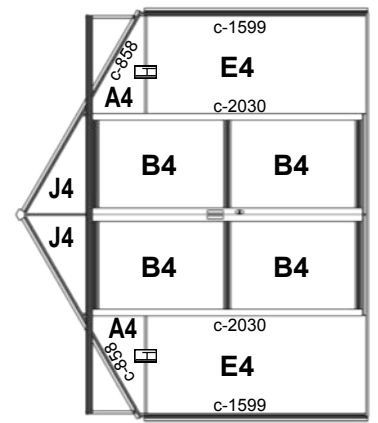
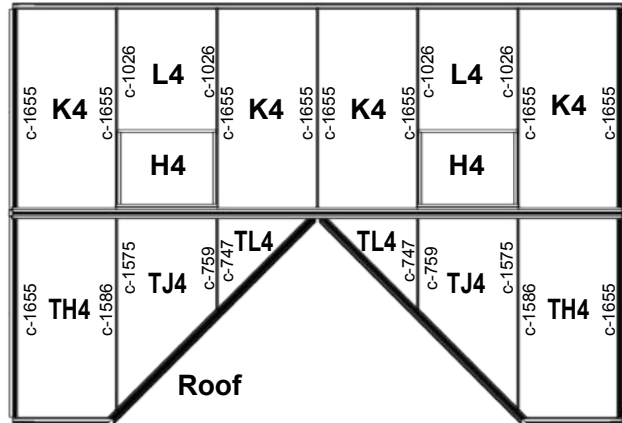
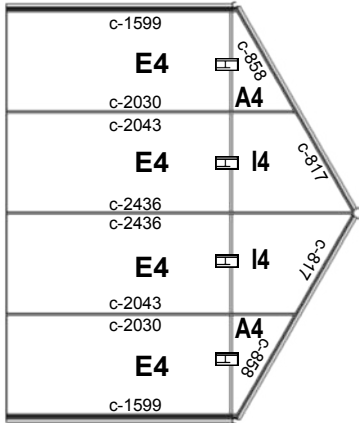
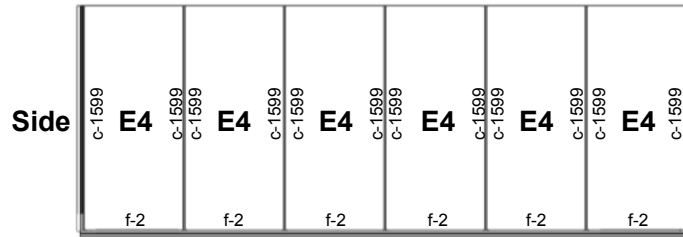


**Note:**

PVC capping bars were pushed in place from both top and bottom in diagonal direction together.

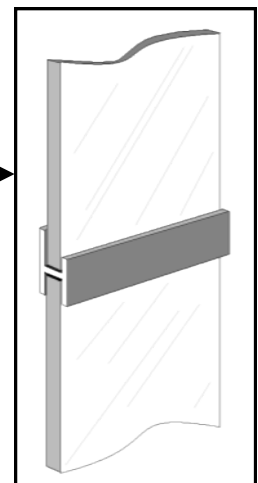
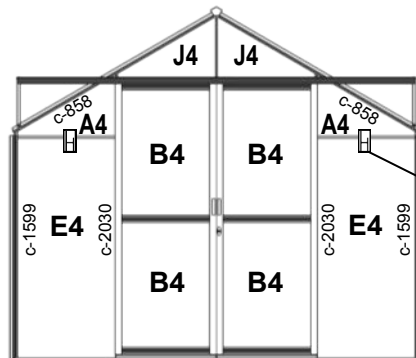
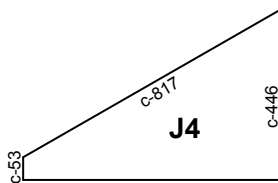
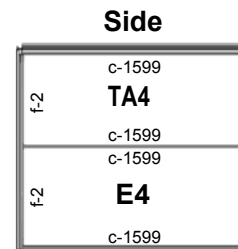
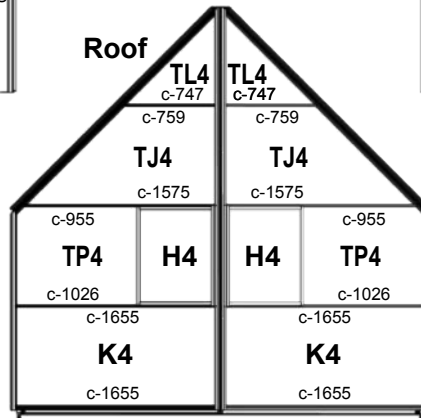
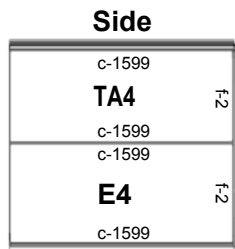
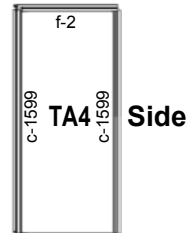
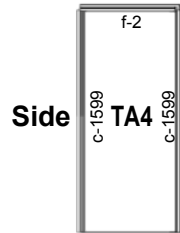
If you assemble it from one side by one side, you will fell space is too tight to assemble another PVC capping bar.

# 4mm Glass










Rear

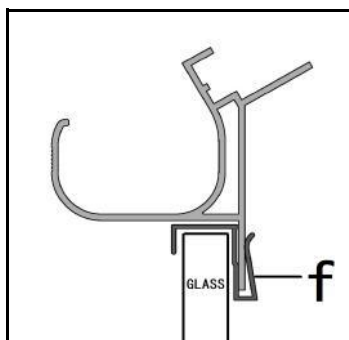
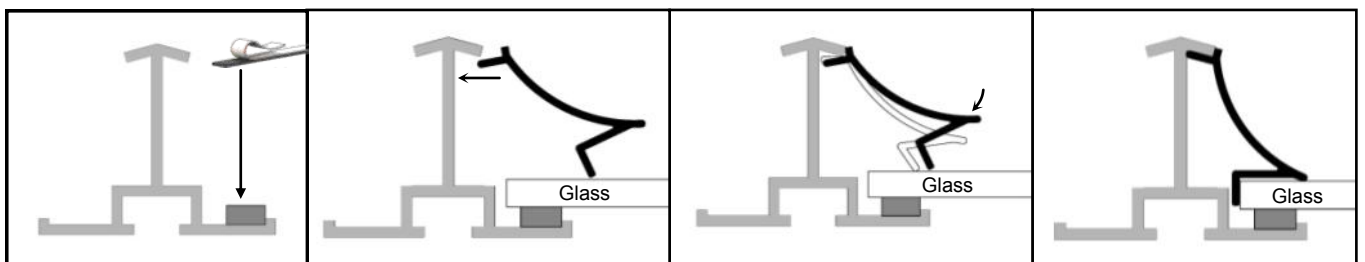
Front



# 4mm Glass

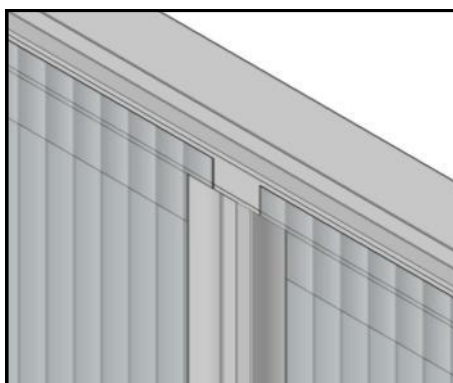
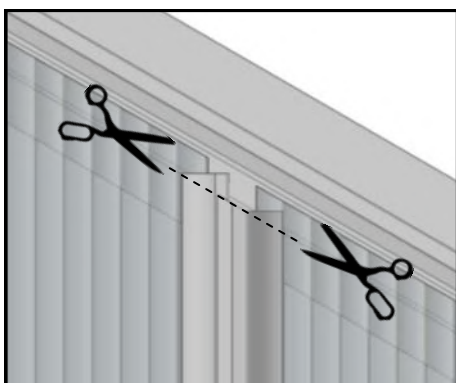
#	Size	GTA10
A4	700 x 35 / 438	6
B4	650 x 933	8
E4	700 x 1597	16
H4	700 x 631	4
I4	700 x 448 / 852	2
J4	700 x 61 / 465	4
K4	700 x 1666	6
L4	700 x 1037	2
TA4	653 x 1597	4
TH4	700(652) x 1666 / 1611	2
TJ4	700 x 1591 / 783	4
TL4	661 x 0 / 763	4
TP4	700(652) x 1037 / 982	2
H	700	8
	5 meter	24 roll
	Silicone 	

		DWG	Length	GTA10
Front Gable	c		53	4
			446	4
			817	4
			858	4
			1599	4
			2030	4
Rear Gable	c		817	2
			858	2
			1599	2
			2030	2
			2043	2
			2436	2
Side wall	c		1599	24
	f		16	24
Roof	c		1655	14
			1586	2
			1575	4
			1026	6
			955	2
			759	4
			747	4

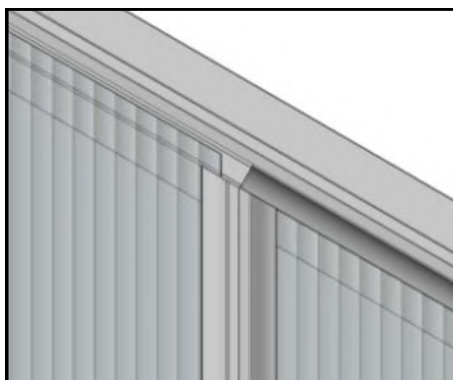
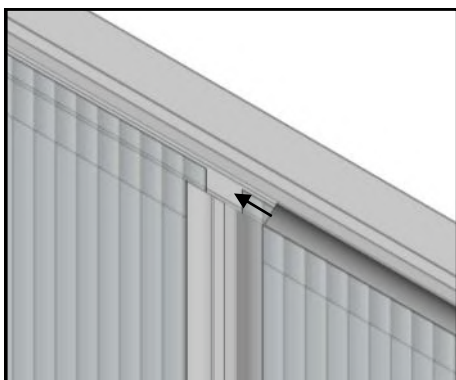




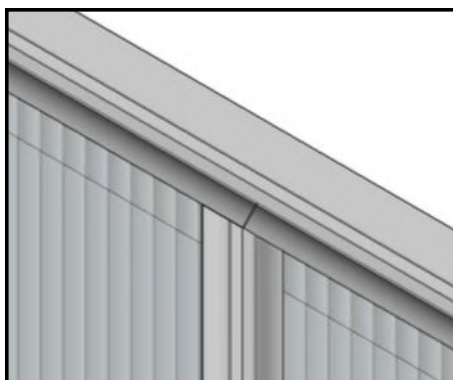
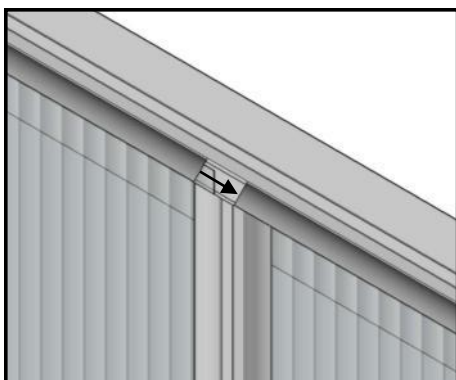
# PVC Capping Bar



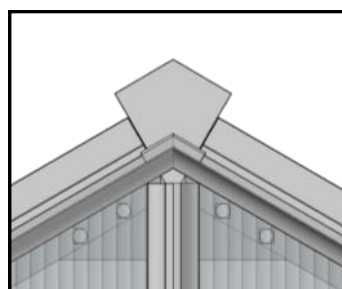
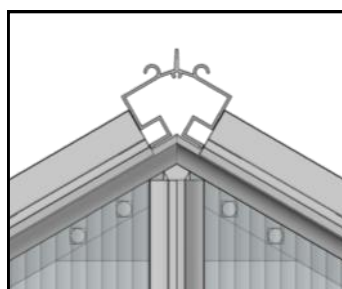
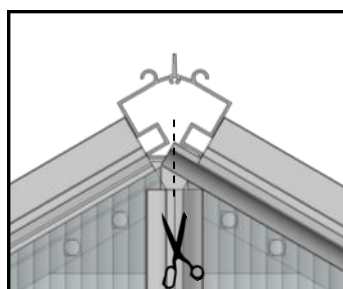
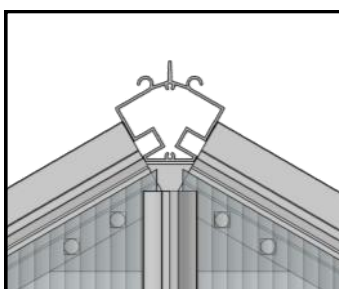
Please trim vertical PVC capping bar which exceeding Alu. Profile.



Sliding slope PVC capping bar into Alu. Profile gap.

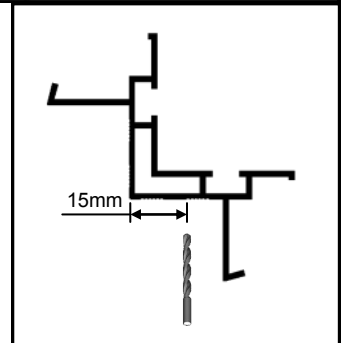
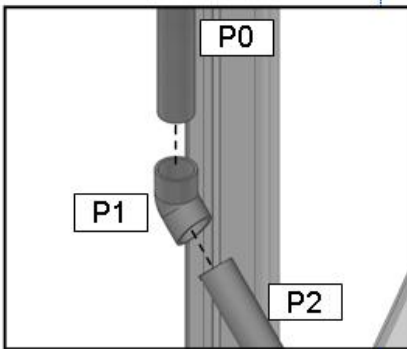
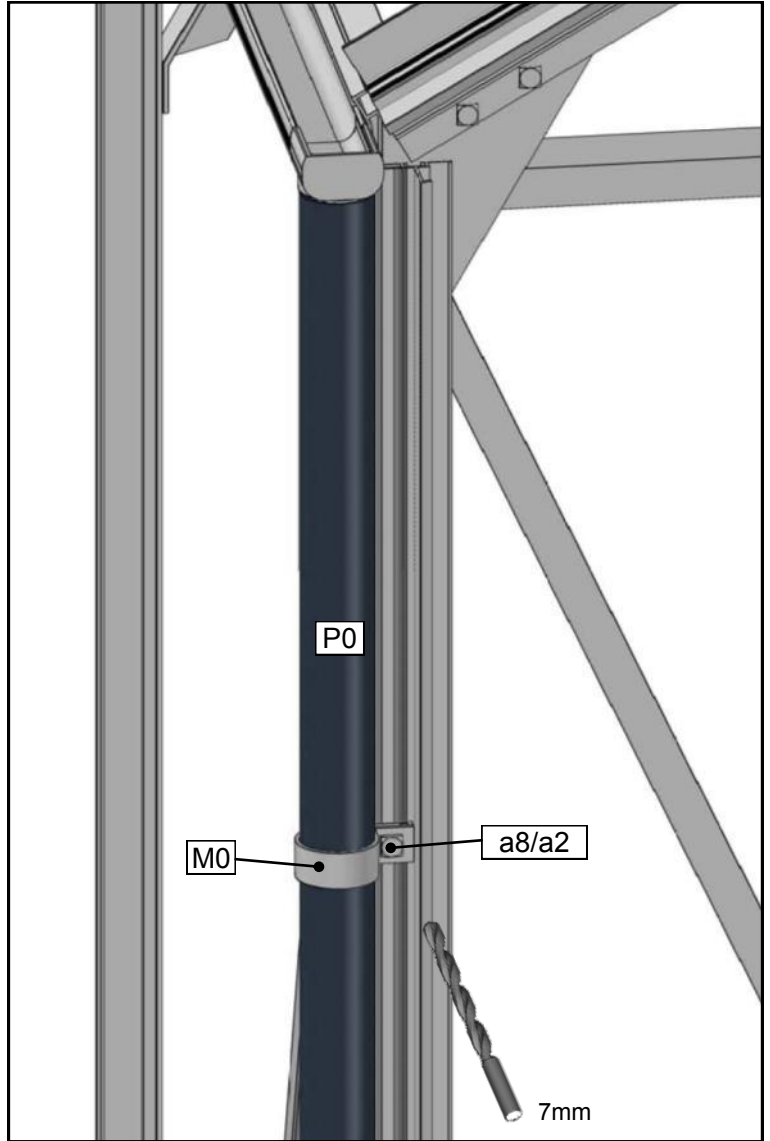
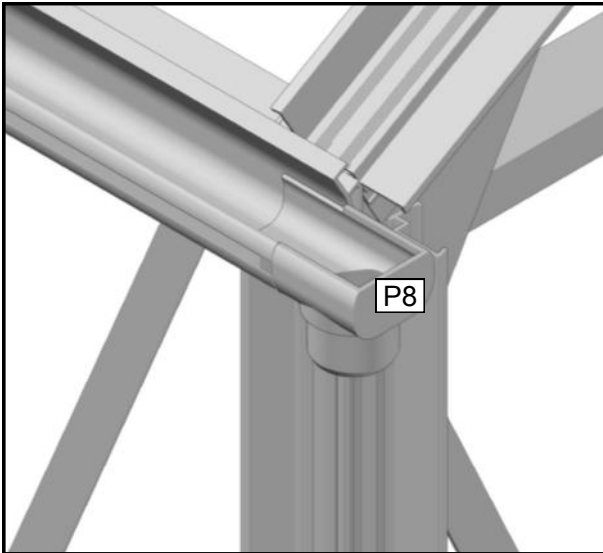
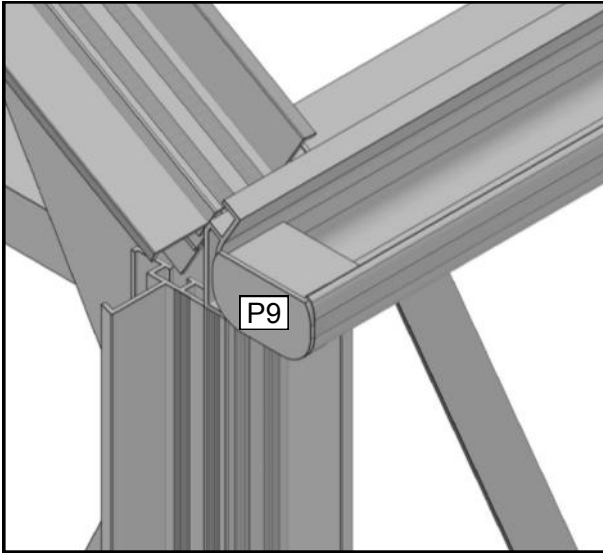


Two slope PVC capping bar connect together without gap.



Please trim two slope PVC capping bar edge on top end and make them connect without gap.

# Downpipe



#	P8	P9	M0	P1	P0	P2	a8	a2	a20
mm					1000	200	M6x16	M6	-
QTY	3	3	3	3	3	3	3	3	3

# The list of parts

	Description	
1	Front gable	2
2	Rear gable	1
3	Side wall	1
4	Roof	1
5	Vent	4
6	Door	2
7	Base connector	1
8	Glass panels	1
9	Tools	1
10	Assembly Instruction	1

## Contact information

Austria



Belgium



Croatia



Denmark



Estonia



Finland



France



Germany



Ireland



Italy



Latvia



Lithuania



Nederland



Norway



Poland



Portugal



Spain



Sweden



Switzerland



UK

